



# 30-Inch Rotary Mower

## Owner/Operator & Parts Manual

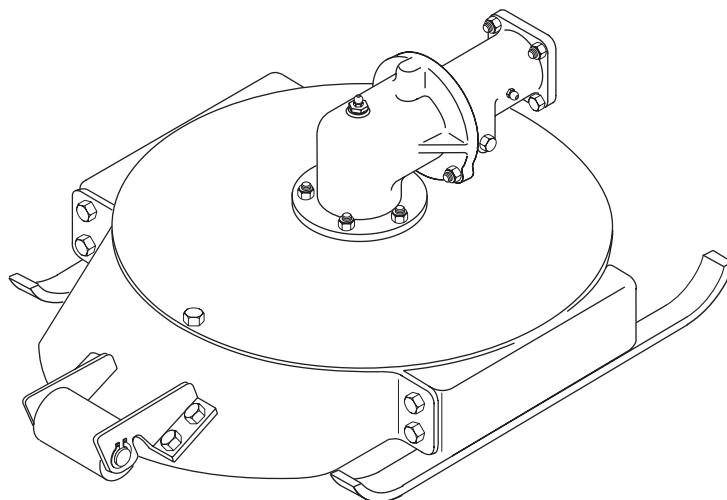
---

### Model

785006 - Short Mower Drive Kit

785007 - Long Mower Drive Kit

885001 - 30-Inch Mower Deck



08699300 9/06  
Printed in USA

# TABLE OF CONTENTS

Safety .....	3	Storage .....	12
Assembly .....	7	Specifications.....	12
Operation .....	9	Parts List.....	14
Maintenance.....	10	Warranty .....	20

## INTRODUCTION

### THE MANUAL

Before operation of unit, carefully and completely read this Manual and the unit's Owner/Operator Manual. The contents will provide you with an understanding of safety instructions and controls during normal operation and maintenance.

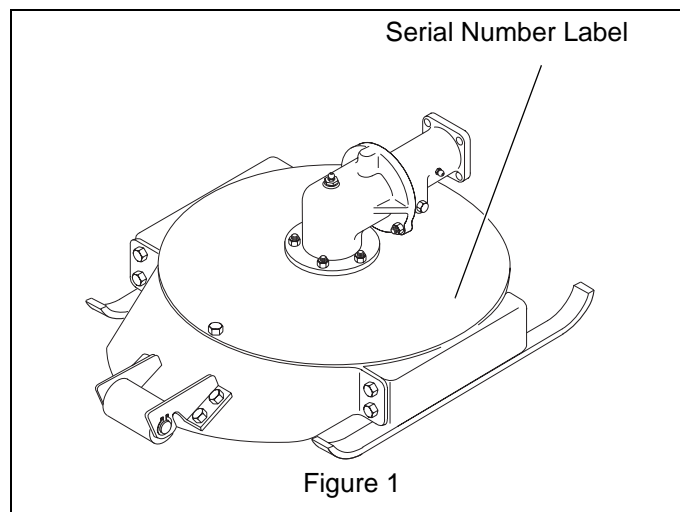
All reference to left, right, front, or rear are given from operator sitting in operation position and facing the direction of forward travel.

### MODEL AND SERIAL NUMBERS

Transfer model & serial number label from product registration here.

When ordering replacement parts or making service inquiries, know the Model and Serial numbers of your unit.

Numbers are located on the product registration form in the unit literature package. They are printed on a serial number label, located on the frame of your unit.



- Record Unit Model and Serial numbers here.

### PRODUCT REGISTRATION

The Gravelly dealer must register the product at the time of purchase. Registering the product will help the company process warranty claims or contact you with the latest service information. All claims meeting requirements during the limited warranty period will be honored, whether or not the product registration card is returned. Keep a proof of purchase if you do not register your unit.

**Customer Note:** If the dealer does not register your product, please fill out, sign, and return the product registration card to Ariens or go to [www.gravelly.com](http://www.gravelly.com).

### UNAUTHORIZED REPLACEMENT PARTS

Use only Gravelly replacement parts. The replacement of any part on this vehicle with anything other than an Gravelly authorized replacement part may adversely affect the performance, durability, or safety of this unit and may void the warranty. Gravelly disclaims liability for any claims or damages, whether warranty, property damage, personal injury or death arising out of the use of unauthorized replacement parts.

### DISCLAIMER


Gravelly reserves the right to discontinue, make changes to, and add improvements upon its products at any time without public notice or obligation. The descriptions and specifications contained in this manual were in effect at printing. Equipment described within this manual may be optional. Some illustrations may not be applicable to your unit.

### DELIVERY

**Customer Note:** If you have purchased this product without complete assembly and instruction by your retailer, it is your responsibility to:

1. Read and understand all assembly instructions in this manual. If you do not understand or have difficulty following the instructions, contact your nearest Gravelly Dealer for assistance. Make sure all assembly has been properly completed and safety interlock system works properly.

**NOTE:** To locate your nearest Gravelly Dealer, go to [www.gravelly.com](http://www.gravelly.com) on the internet.

 **WARNING:** Improper assembly or adjustments can cause serious injury.

2. Understand all Safety Precautions provided in the manuals.

3. Review control functions and operation of the unit. Do not operate unit unless all controls function as described in this manual.
4. Review recommended lubrication, maintenance and adjustments.
5. Fill out a Product Registration Card and return the card to the Ariens Company or go to [www.gravelly.com](http://www.gravelly.com).

## SAFETY

### SAFETY ALERTS



Look for these symbols to point out important safety precautions. They mean:

**Attention!**




**Personal Safety Is Involved!**


**Become Alert!**


**Obey The Message!**

The safety alert symbols above and signal words below are used on decals and in this manual.

Read and understand all safety messages.

 **DANGER: IMMINENTLY HAZARDOUS SITUATION!** If not avoided, WILL RESULT in death or serious injury.

 **WARNING: POTENTIALLY HAZARDOUS SITUATION!** If not avoided, COULD RESULT in death or serious injury.

 **CAUTION: POTENTIALLY HAZARDOUS SITUATION!** If not avoided, MAY RESULT in minor or moderate injury. It may also be used to alert against unsafe practices.

### NOTATIONS

**NOTE:** General reference information for proper operation and maintenance practices.

**IMPORTANT:** Specific procedures or information required to prevent damage to unit or attachment.

### PRACTICES AND LAWS

Practice usual and customary safe working precautions, for the benefit of yourself and others. Understand and follow all safety messages. Be alert to unsafe conditions and the possibility of minor, moderate, or serious injury or death. Learn applicable rules and laws in your area. Always follow the practices set forth in this manual.

### REQUIRED OPERATOR TRAINING

Original purchaser of this unit was instructed by the seller on safe and proper operation. If unit is to be used by someone other than original purchaser; loaned, rented or sold, ALWAYS provide this manual and any needed safety training before operation.

### SAFETY DECALS AND LOCATIONS

ALWAYS replace missing or damaged safety decals. Refer to figure 1 for safety decal locations.

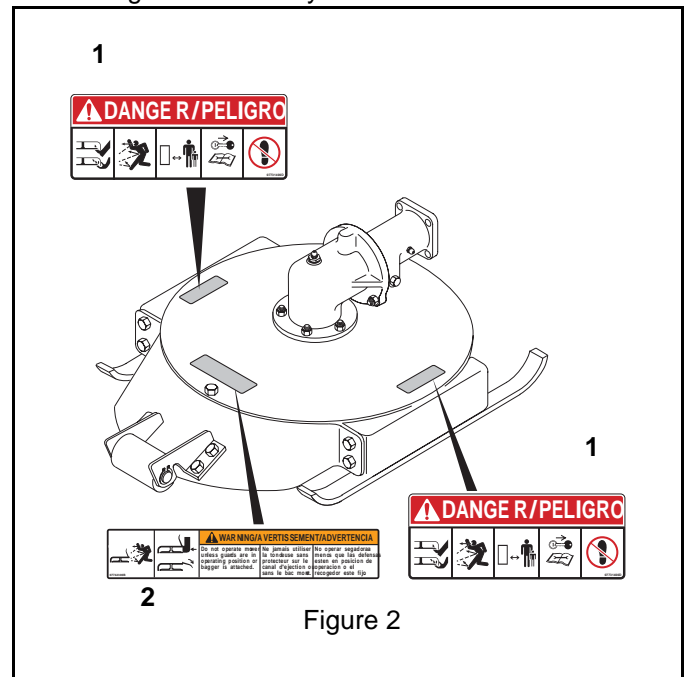


Figure 2

## 1. DANGER!



Always keep feet and hands away from rotating parts.



Always stand clear of discharge area. Do not direct discharge toward other people.



Keep people away from unit while operating.



Shut off engine, remove key, and read manual before you adjust or repair unit.



**NO STEP!** Always keep feet away from rotating parts.

## 2. WARNING!



Always stand clear of discharge area.



Do not operate mower unless bagger is attached or guards are in operating position.

## SAFETY RULES

Read, understand and follow all safety practices in Owner/Operator Manual before beginning assembly. Failure to follow instructions could result in personal injury and/or damage to unit.

**ALWAYS** remove key (if equipped) and disconnect wire from spark plug before assembly. Unintentional engine start up can cause death or serious injury.

Complete a walk around inspection of unit and work area to understand:

- Work area
- Your unit
- All safety decals

**ALWAYS** check overhead and side clearances carefully before operation.

**ALWAYS** be aware of traffic when operating along streets or curbs.

Keep children and people away.

Keep children out of work area and under watchful care of a responsible adult.

Keep area of operation clear of all toys, pets, and debris. Thrown objects can cause injury.

Check for weak spots on docks, ramps or floors. Avoid uneven work areas and rough terrain.

**ALWAYS** be sure of your footing. Keep a firm hold on handlebar. Walk, **NEVER** run.

**DO NOT** operate on wet grass.

Dust, smoke, fog, etc. can reduce vision and cause an accident. Operate unit only when there is good visibility and light.

Read the entire Owner/Operator manual and other training material. If the operator or the mechanic cannot read the manual, it is the owner's responsibility to explain it to them. Only the user can prevent and is responsible for accidents or injuries occurring to themselves, other people or property.

- Only trained adults may operate or service unit
- Training includes actual operation

**NEVER** allow children to operate or play on or near unit.

Be alert and shut off unit if children enter area.

Never carry passengers.

**NEVER** operate unit after or during the use of medication, drugs or alcohol. Safe operation requires your complete and unimpaired attention at all times.

**NEVER** allow anyone to operate this unit when their alertness or coordination is impaired.

Wear adequate safety gear, protective gloves and footwear.

**NEVER** wear open sandals or canvas shoes during operation.

Protect eyes, face and head from objects that may be thrown from unit. Wear appropriate hearing protection.

Sharp edges can cut. Moving parts can cut off fingers or a hand. Wrap mower blade(s), wear sturdy gloves and use extreme caution when servicing. On multi-blade mowers, rotation of one mower blade will cause all mower blades to rotate.

**ALWAYS** keep hands and feet away from all rotating parts during operation. Rotating parts can cut off body parts.

**ALWAYS** keep hands away from all pinch points.

**DO NOT** touch unit parts which might be hot from operation. Allow parts to cool before attempting to maintain, adjust or service.

**NEVER** place your hands or any part of your body or clothing inside or near any moving part while unit is running.

**DO NOT** wear loose clothing or jewelry. Tie back hair that may get caught in rotating parts.

Keep children and people away from unit during operation.

Fumes from engine exhaust can cause injury or death.

**DO NOT** run engine in an enclosed area. Always provide good ventilation.

Thrown objects can cause injury and property damage. DO NOT point discharge at anyone or discharge directly onto paved or gravel surfaces.

Always stand clear of the discharge area when operating this unit.

Read, understand, and follow all instructions in the manual and on the machine before starting. Understand:

- How to operate all controls
- The functions of all controls
- How to STOP in an Emergency
- Braking and steering characteristics
- Turning radius and clearance

ALWAYS keep protective structures, guards, and panels in good repair, in place and securely fastened.

NEVER modify or remove safety devices.

ALWAYS keep discharge cover or complete grass catcher in place and in proper working condition.

Check steering control operation frequently. Adjust and service as required.

Safety Interlock System must function properly. DO NOT operate unit if operator presence control is damaged or disabled.

If you strike an object, or if equipment vibrates abnormally, stop engine at once, disengage PTO, wait for all moving parts to stop, and remove key. Check for any damage or loose parts. Repair before restart.

Before starting engine: disengage PTO, engage parking brake and place unit in neutral.

Before starting engine: disengage PTO and place unit in neutral.

DO NOT operate at too fast a rate. DO NOT change engine governor settings or over-speed engine. Slow down and turn corners slowly.

Disengage PTO when attachment is not in use. DO NOT raise deck with mower blades running. ALWAYS turn off power to attachment when travelling, crossing driveways, etc.

Avoid uneven and rough terrain. DO NOT operate near drop-offs, ditches, or embankments. Unit can suddenly turn over if a wheel is over the edge of a cliff or ditch, or if an edge caves in.

DO NOT try to stabilize unit by putting foot on ground when operating with applicable riding attachments.

When engine is running and speed control lever is forward, holding only one steering lever will cause unit to circle around one drive wheel.

Use care when approaching blind corners, shrubs, trees or other objects that may obscure view.

ALWAYS disengage PTO, stop unit and engine, set parking brake, remove key and allow moving parts to stop before clearing clogs or cleaning unit.

ALWAYS disengage PTO, stop unit and engine, remove key and allow moving parts to stop before clearing clogs or cleaning unit.

Never leave a running unit unattended. ALWAYS shut off engine before leaving unit.

ALWAYS remove key to prevent unauthorized use.

DO NOT operate in reverse unless absolutely necessary. ALWAYS backup slowly. ALWAYS look down and behind, before and while backing.

DO NOT operate on steep slopes. DO NOT operate on slopes of more than 10°. Operate across the face of slopes, not up and down.

Turf conditions can affect the unit's stability.

Keep all movement on slopes slow and gradual. DO NOT make sudden changes in speed or direction. Use a slow speed to avoid stopping or shifting on slopes. Avoid starting or stopping on a slope.

DO NOT park unit on a slope unless absolutely necessary. When parking on a slope always engage parking brake and block wheels.

DO NOT park unit on a slope unless absolutely necessary. When parking on a slope always chock or block wheels.

Use extra care when loading or unloading unit onto trailer or truck.

Secure unit chassis to transport vehicle. NEVER secure from rods or linkages that could be damaged.

DO NOT transport machine while engine is running.

Keep unit free of grass, leaves, or other debris. Clean up oil or fuel spills.

This product is equipped with an internal combustion engine. DO NOT use on or near any unimproved, forest covered or brush covered land unless the exhaust system is equipped with a spark arrester meeting applicable local, state or federal laws. A spark arrester, if used, must be maintained in effective working order by the operator.

Fuel is highly flammable and its vapors are explosive. Handle with care. Use an approved fuel container.

No smoking, No sparks, No flames. ALWAYS allow engine to cool before servicing.

NEVER fill fuel tank when engine is running or hot from operation.

NEVER fill or drain fuel tank indoors.

Replace fuel cap securely and clean up spilled fuel.

Never fill containers inside a vehicle or on a truck or trailer bed with a plastic liner. Always place containers on the ground away from your vehicle before filling.

When practical, remove gas-powered equipment from the truck or trailer and refuel it on the ground. If this is not possible, then refuel such equipment on a trailer with a portable container, rather than from a gasoline dispenser nozzle.

Keep the nozzle in contact with the rim of the fuel tank or container opening at all times until fueling is complete. Do not use a nozzle lock-open device.

If fuel is spilled on clothing, change clothing immediately. NEVER store fuel inside where there is an open flame, such as a water heater.

Avoid Electric Shock. Objects contacting both battery terminals at the same time may result in injury and unit damage. DO NOT reverse battery connections.

Reverse connections may result in sparks which can cause serious injury. Always connect positive (+) lead of charger to positive (+) terminal, and negative (-) lead to negative (-) terminal.

ALWAYS disconnect negative (-) cable FIRST and positive (+) cable SECOND. ALWAYS connect positive (+) cable FIRST, and negative (-) cable SECOND.

Explosive Gases from battery can cause death or serious injury. Poisonous battery fluid contains sulfuric acid and its contact with skin, eyes or clothing can cause severe chemical burns.

No flames, No sparks, No smoking near battery.

ALWAYS wear safety glasses and protective gear near battery. Use insulated tools.

DO NOT TIP battery beyond a 45° angle in any direction. Battery posts, terminals and related accessories contain lead and lead compounds, chemicals known to the State of California to cause cancer and reproductive harm. Wash hands after handling.

Reverse connections may cause sparks which may result in injury. ALWAYS connect/disconnect cables in proper order.

Poisonous battery fluid contains sulfuric acid and its contact with skin, eyes, or clothing can cause severe burns.

Explosive Gases! No flames, No sparks, No smoking near battery.

ALWAYS wear safety glasses and protective gear near battery.

ALWAYS keep batteries out of reach of children.

Before making any inspections, repairs, etc.: disengage PTO, stop unit and engine, set parking brake, remove key, allow moving parts to stop.

Before making any inspections, repairs, etc.: disengage PTO, stop unit and engine, remove key, allow moving parts to stop.

ALWAYS keep body and hands away from pin holes or nozzles which eject hydraulic fluid under pressure.

Allow hot parts to cool.

ALWAYS block wheels, engage parking brake and know all jack stands are strong, secure and will hold weight of unit during maintenance.

An extension spring, when extended, stores energy and can be dangerous. Always use tools specifically designed for installing or removing an extension spring. Always compress or extend springs slowly.

ALWAYS maintain unit in safe operating condition. Damaged or worn out muffler can cause fire or explosion.

Keep hardware, especially mower blade attachment bolts, tight.

Maintain or replace safety and instruction labels, as necessary.

For unit storage or extended storage:

- NEVER store with fuel in fuel tank, inside a building where any ignition sources are present.
- Allow engine to cool completely.

Use only attachments or accessories designed for your unit and that can be used safely on your terrain.

Check attachment components frequently for wear, damage or deterioration. Replace with manufacturer's recommended parts for safety.

To reduce fire hazard and overheating, keep equipment free of grass, leaves, debris or excessive lubricants.

Use extra care with grass catchers and other attachments. These can change the stability of the unit. Use only approved hitch points.

ALWAYS be aware of attachments when turning. ALWAYS allow adequate clearance between attachments, personnel, and other objects.

# ASSEMBLY



**WARNING:** AVOID INJURY. Read and understand the entire *Safety* section before proceeding.

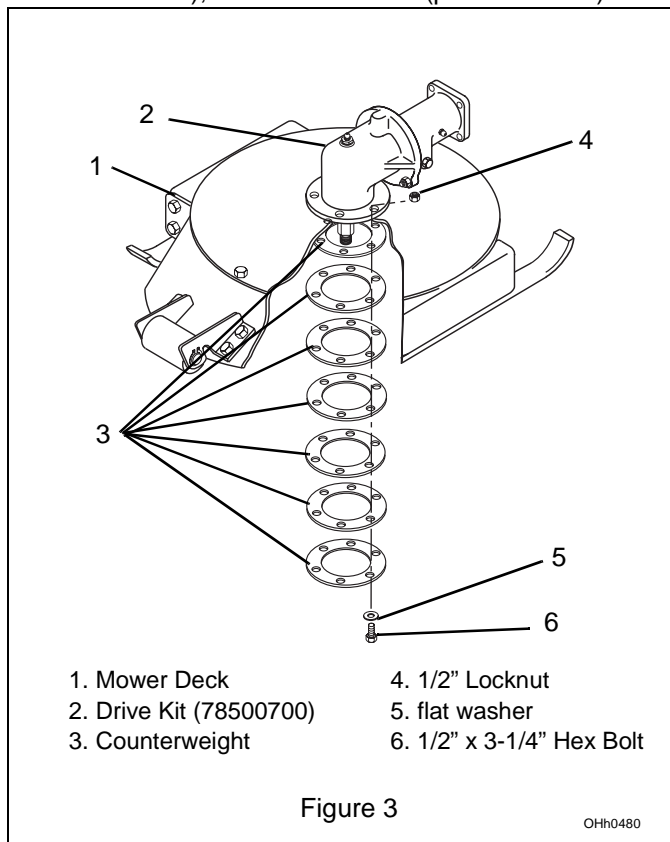
## INSTALLING THE DRIVE UNIT TO THE MOWER DECK FOR RAPID UNITS

**NOTE:** The long mower drive kit (78500700) must be installed onto the mower deck before the mower is connected to Rapid Units.

**IMPORTANT:** Only use the long mower drive kit (78500700) to attach the 30-inch mower to Rapid units.

### Install Long Mower Drive Kit (78500700) (Figure 3)

1. Place the drive kit down through the circular opening in the top of the mower deck.
2. Install drive kit (78500700) on mower deck and seven counterweights (p/n 08691200) with five 1/2" x 3-1/4" hex bolts (p/n 05960000), flat washers (p/n 06442000), and 1/2" locknuts (p/n 06540600).



**WARNING:** Mower blades are sharp and can cut. Wrap mower blade(s) or wear gloves to service.

**NOTE:** See the *Mower Height Adjustment* on page 11 for additional information about adjusting mower height using additional spacers.



**WARNING:** A minimum of one 1/4" (6.4 mm) spacer must always be located between the mower blades and the locknut.

The locknut to the mower shaft must be tightened to a torque of 100 lbf-ft (135 N•m).

3. Install mower blade(s) onto shaft. If two mower blades are used, they should be installed at right angles to each other with one 1/8" spacer located between mower blades. See figure 9 on page 11 for an illustration on how to install the mower blade.
4. Install the locknut to the mower shaft and tighten it to a torque of 100 lbf-ft (135 N•m).

## INSTALLING THE DRIVE UNIT TO THE MOWER DECK FOR GEAR TWO-WHEEL TRACTORS

**NOTE:** Depending on the type of gear two-wheel tractor, the long mower drive Kit (78500700) or the short mower drive kit (78500600) must be installed onto the mower deck before the mower is connected to the gear two-wheel tractor.

### Install Drive Kit (Figure 4)

1. Place the drive unit down through the circular opening in the top of the mower deck.
2. Install drive kit on mower deck and one counterweight (p/n 08691200) with five 1/2" x 1-3/4" hex bolts (p/n 05970600), flat washers (p/n 06442000), and 1/2" locknuts (p/n 06540600).

**NOTE:** See the *Mower Height Adjustment* on page 11 for additional information about adjusting mower height using additional spacers.

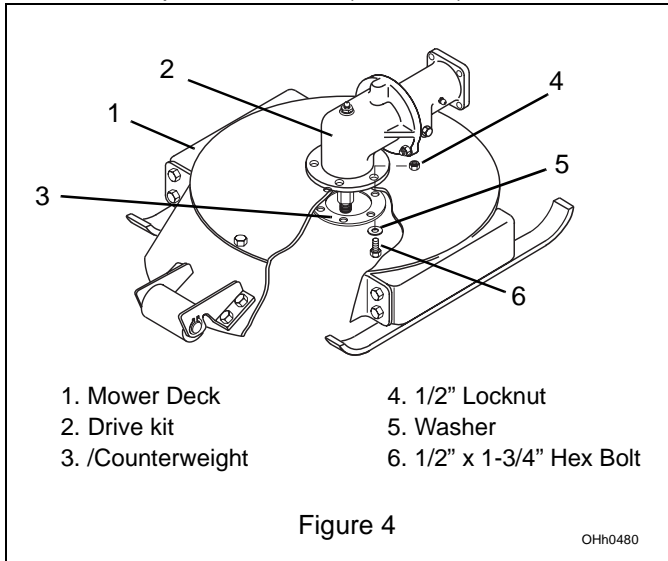


**WARNING:** A minimum of one 1/4" (6.4 mm) spacer must always be located between the mower blades and the locknut.

The locknut to the mower shaft must be tightened to a torque of 100 lbf-ft (135 N•m).

3. Install mower blade(s) onto shaft. If two mower blades are used, they should be installed at right angles to each other with one 1/8" spacer located between mower blades. See figure 9 on page 11 for an illustration on how to install the mower blade.

4. Install the locknut to the mower shaft and tighten it to a torque of 100 lbf-ft (135 N•m).



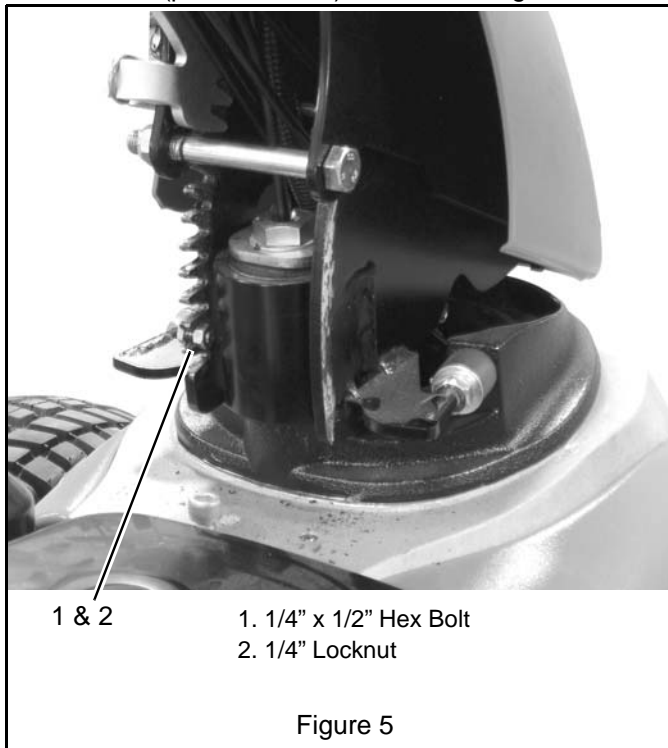
## INSTALLING AND REMOVING THE MOWER DECK ON RAPID UNITS



**WARNING: ROTATING PARTS** can cut off body parts. Keep hands and feet away. Loose clothing, long hair or scarves can get caught in rotating parts and cause death or serious injury.

### Installation

1. Stop engine, remove ignition key, and wait for all moving parts to stop.
2. Install 1/4" x 1/2" hex bolt (p/n 05947900) and 1/4" locknut (p/n 06529700) as shown in figure 5.

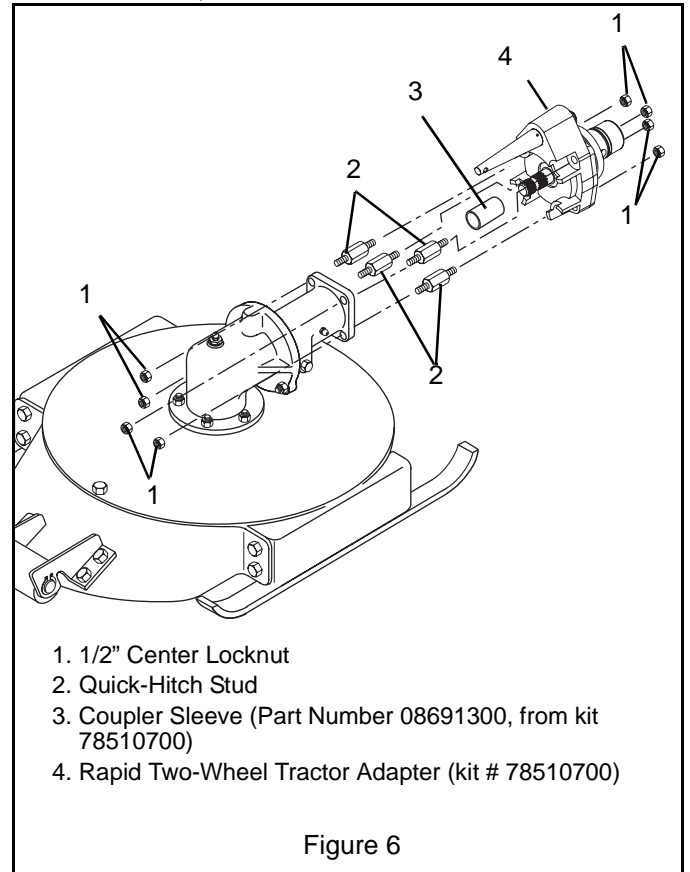


**NOTE:** The Rapid two-wheel tractor adapter (kit 78510700) is required to attach the 30-inch mower deck to Rapid units.

**IMPORTANT:** Remove coupler sleeve (p/n 035035) from drive kit. Rapid units must use coupler leave, part number 08691300, from kit 78510700.

3. Install Rapid two-wheel tractor adapter to drive kit with four quick-hitch studs (p/n 08531300), coupler sleeve (p/n 08691300), and eight 1/2" center locknuts (figure 6).
4. Install 30-inch mower deck to the Rapid unit.

**IMPORTANT:** MAKE SURE the attachment locking pin is completely seated prior to engaging the PTO (see rapid owner's manual).



### Removal

1. Stop engine, remove ignition key, and wait for all moving parts to stop.
2. Remove 30-Inch mower deck from the Rapid unit.
3. Remove Rapid two-wheel tractor adapter from 30-inch mower deck.



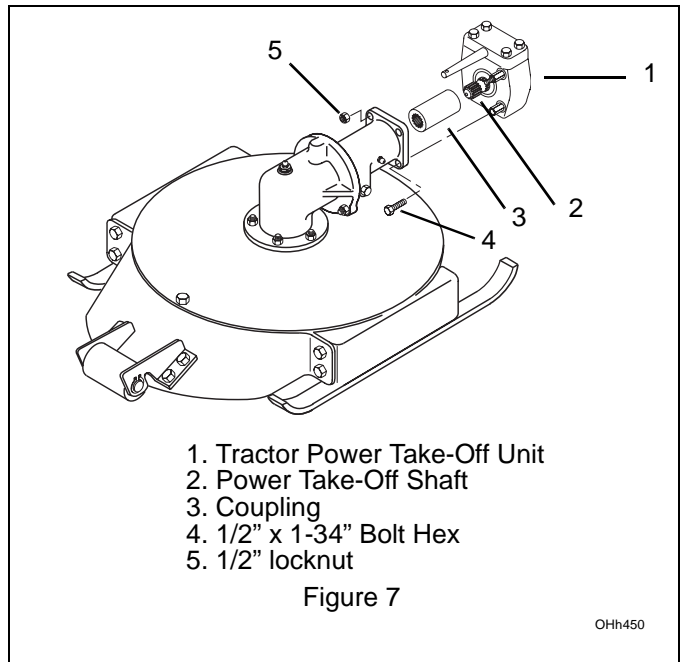
## INSTALLING AND REMOVING THE MOWER DECK ON GEAR TWO-WHEEL TRACTORS



**WARNING: ROTATING PARTS** can cut off body parts. Keep hands and feet away. Loose clothing, long hair or scarves can get caught in rotating parts and cause death or serious injury.

### Installation

1. Stop engine, remove ignition key, and wait for all moving parts to stop.
2. Put the splined coupling onto the splined shaft of the mower deck drive unit (figure 7).
3. Fasten the mower deck drive housing to the tractor PTO unit using two locknuts (upper) and two bolts (lower).



### Removal

1. Stop engine, remove ignition key, and wait for all moving parts to stop.
2. Lower the tractor stand and tighten the adjusting handle.
3. Remove the two locknuts and two bolts that fasten the mower deck to the tractor (figure 7).
4. Pull the mower from the tractor.
5. Put the coupling on the splined shaft of the mower.

## OPERATION



**WARNING: AVOID INJURY.** Read and understand the entire *Safety* section before proceeding.

Read this owner's manual and the power unit's owner's manual before operating the mower.



**WARNING:** Use a slow tractor speed until you know how to operate the mower.

1. Start the engine. Wait until the engine is running smoothly before operating.
2. Engage the PTO.
3. Move the throttle lever to fast.
4. Select a slow ground speed
5. Mow approximately ten feet (3m). Turn off the PTO and shut off the engine.

6. See if the mower is cutting at the correct height. If height requires adjustment, see *Mower Height Adjustment* on page 11.
7. If the mower does not follow the ground correctly, see *Swivel Adjustment* on page 11.
8. When the mower is properly adjusted, resume mowing. Select a slow speed at first, and then select a speed that is best for your experience and mowing conditions.

# MAINTENANCE



**WARNING: AVOID INJURY.** Read and understand the entire *Safety* section before proceeding.

Gravely Dealers will provide any service or adjustments which may be required to keep your unit operating at peak efficiency.

The chart below shows the recommended maintenance schedule that should be performed on a regular basis. More frequent service may be required due to working conditions (heavy loads, high ambient temperatures, dusty conditions, or airborne debris).

See engine and power unit owner's manuals for further maintenance and trouble shooting information.

## MAINTENANCE SCHEDULE

Service Performed	Daily	Every 40 hrs.	Yearly
Check Mower Blade	•		
General Lubrication		•	
Check Fasteners		•	•



**WARNING: ROTATING PARTS** can cut off body parts. Keep hands and feet away. Loose clothing, long hair or scarves can get caught in rotating parts and cause death or serious injury.



**WARNING:** Stop engine, wait for moving parts to stop, remove key, and remove wire from spark plug before attempting any lubrication or maintenance procedures.



**CAUTION:** DO NOT touch engine parts which are hot from operation. Allow such parts to cool before servicing.

## SHARPENING MOWER BLADE



**CAUTION:** DO NOT sharpen mower blade while on unit. An unbalanced mower blade will cause excessive vibration and eventual damage to unit. Check mower blade balance prior to reinstalling mower blades. NEVER weld or straighten mower blades.

1. Remove mower blade.

**IMPORTANT:** Gravely recommends having mower blades sharpened by a professional. Contact your Gravely dealer.

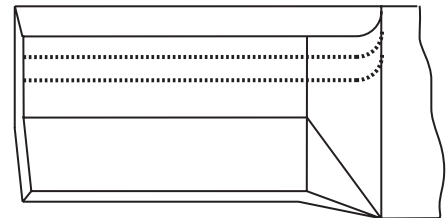
Discard mower blade if (figure 8):

- more than 1/2 in. (1.27 cm) of metal is removed.
- the air lift erosion area is eroded.
- the mower blade is bent or broken.

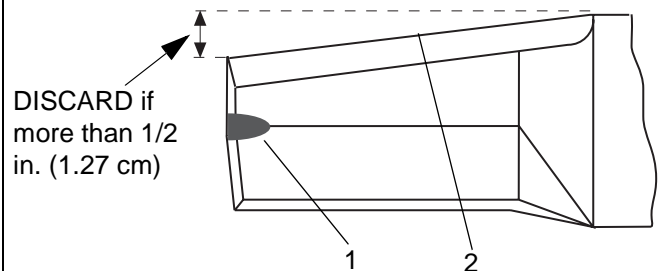
Do not change angle of cutting edge or round the corner at the end of mower blade.

2. Sharpen mower blade by removing an equal amount of material from each end of mower blade.
3. Check mower blade balance by sliding mower blade on an unthreaded bolt. If blade is balanced, it should remain in a horizontal position. If either end of mower blade moves downward, sharpen the heavy end until mower blade is balanced.
4. Install mower blade and spacers, tighten the locknut to 100 lbf-ft. (135 N•m) torque.

DO NOT Sharpen to this Pattern



Sharpen to this Pattern



DISCARD if more than 1/2 in. (1.27 cm)

1. Air Lift Erosion Area
2. Cutting Edge

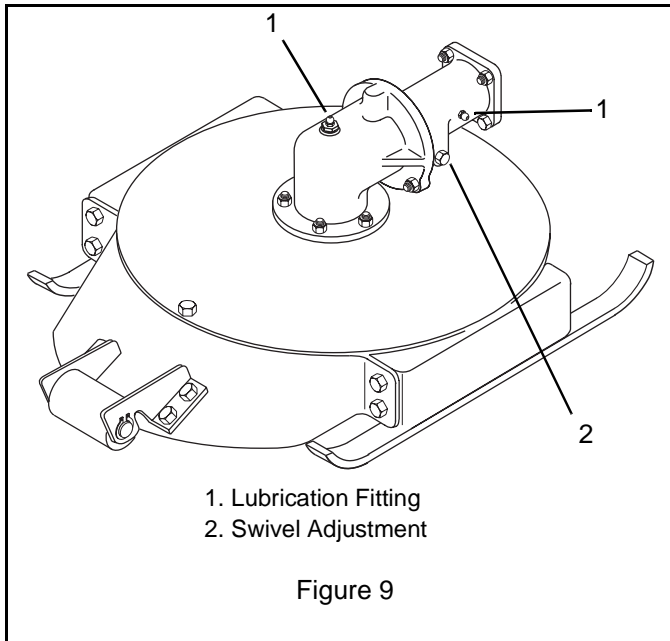
Figure 8

## LUBRICATION

**NOTE:** The 30-inch mower does not require any lubrication.

**IMPORTANT:** Prior to apply grease thoroughly clean all components.

Apply grease to the lube fittings on the drive kit until it shows at the mower shaft under the mower deck and at the swivel adjustment (figure 9).



## ADJUSTMENTS

### Mower Height Adjustment

**⚠ DANGER:** To avoid inadvertent blade contact, NEVER attempt to make any cutting height adjustment while engine is running.

All adjustments to the mower height are made by moving 1/4" (6.4 mm) spacers from one side of the mower blade to the other to raise or lower the mowing height by 1/4" (6.4 mm). There are a total of six 1/4" (6.4 mm) spacers included for a single mower blade. There are a total of five 1/4" (6.4 mm) spacers and one 1/8" (3.2 mm) spacer for a twin mower blade. All the spacers must be used either above or below the mower blade(s).

**⚠ WARNING:** A minimum of one 1/4" (6.4 mm) spacer must always be located between the mower blades and the locknut.

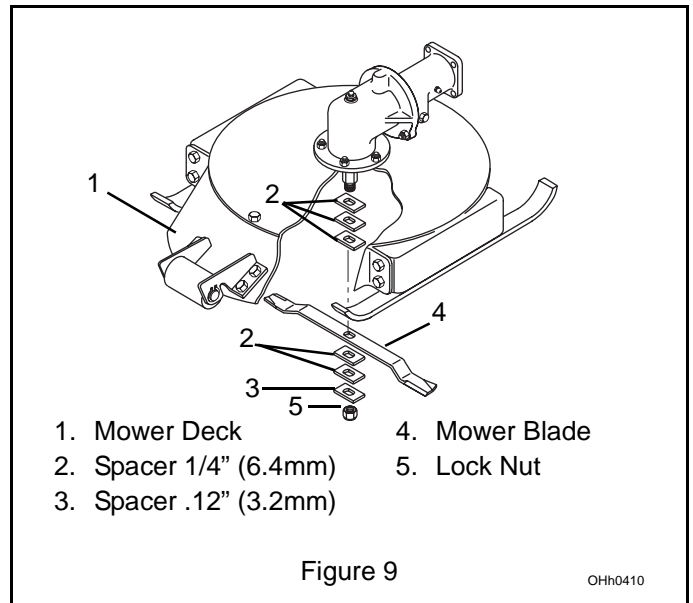
To adjust mower height:

1. Stop engine, remove ignition key, and wait for all moving parts to stop.
2. Turn the mower deck over and block the mower blade so it cannot move.

**⚠ WARNING:** Mower blades are sharp and can cut. Wrap mower blade(s) or wear gloves to service.

3. Turn the locknut on the mower shaft counterclockwise to remove. Retain all hardware (figure 9).

1. Stop engine, remove ignition key, and wait for all

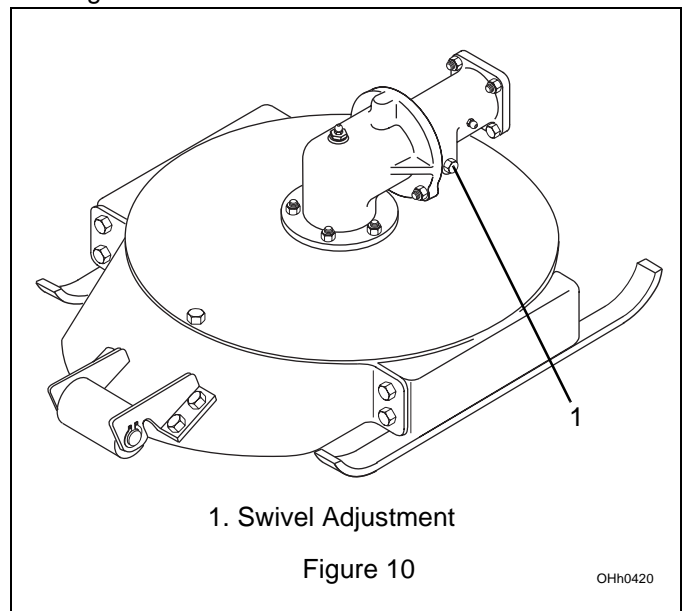


1. To lower mowing height, add required number of 1/4" (6.4 mm) spacers above mower blades.
2. To raise mowing height, remove required number of 1/4" (6.4 mm) spacers from above mower blades.
3. Reinstall the lock nut to the mower shaft and tighten it to a torque of 100 lbf-ft (135 N•m).

**⚠ WARNING:** The lock nut to mower shaft must be tightened to a torque of 100 lbf-ft (135 N•m).

### Swivel Adjustment

The swivel adjustment allows mower deck to follow ground during mowing. The swivel is properly adjusted when mower deck will not swivel when raised by pushing down on the handlebars, but will follow ground during mowing.



To adjust swivel:  
moving parts to stop.

2. Turn nut on swivel adjustment clockwise to tighten adjustment, and counterclockwise to loosen swivel (figure 10).
3. Retest swivel adjustment and repeat as necessary.

Keep all nuts, bolts and screws tight and know unit is in safe working condition. Check all hardware at regular intervals

### Inspection

Inspect mower for visible signs of wear, breakage or damage. Order any parts required and make necessary repairs to avoid delays when beginning use again.

### Cleaning

Clean unit thoroughly. Touch up all areas to prevent rust. Matching touch up paint is available from your GRAVELY Dealer. Store mower in a cool, dry protected location.

## STORAGE



**WARNING:** AVOID INJURY. Read and understand the entire *Safety* section before proceeding.

**IMPORTANT:** Take steps to prevent rust and corrosion. Never spray unit with water or store unit outdoors. Water can seep into sealed bearings, which are sealed against dirt and debris only, causing reduced component life.

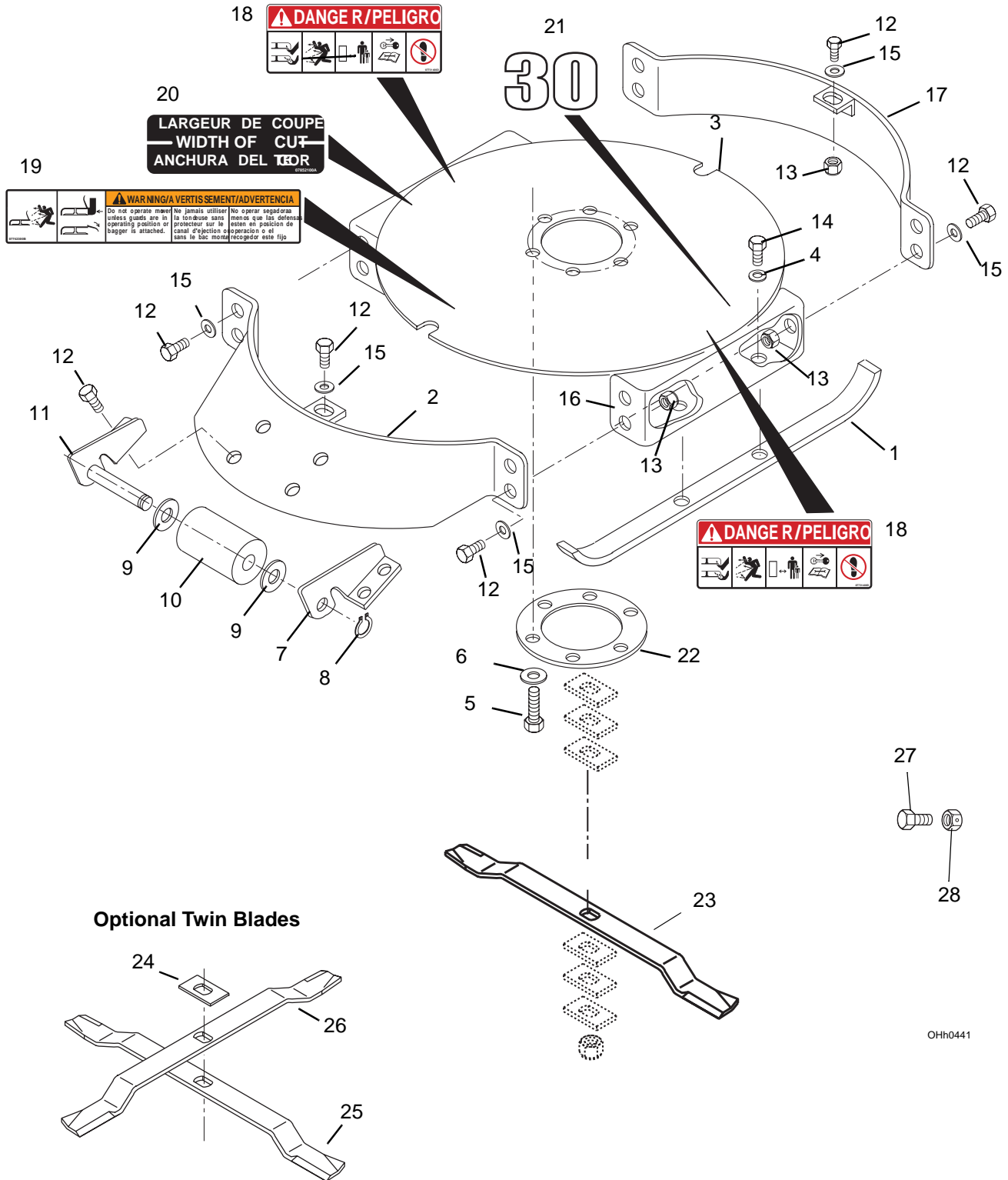
## SPECIFICATIONS

Model Number	78500600	78500700	88500100
Description	Short Mower Drive Kit	Long Mower Drive Kit	30-Inch Mower Deck
Serial Number	0001010 and up	000101 and up	000101 and up
Length - in (cm)	NA		38 (96.52)
Height - in (cm)	NA		8 (20.32)
Width - in (cm)	NA		31.5 (80)
Weight - lbs (kg)	NA		83 (37.64)
Cutting Width - in (cm)	NA		30" (76.20)
Cutting Height - in (cm)	NA		1.5 (3.81) - 3 (7.62)

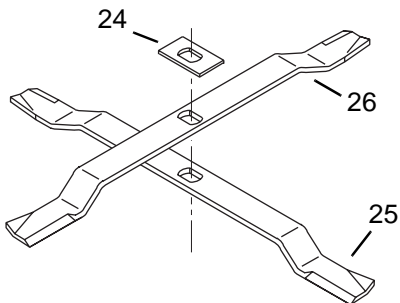
**This Page Intentionally Left Blank.**

# PARTS LIST

## MOWER DECK (88500100)



### Optional Twin Blades



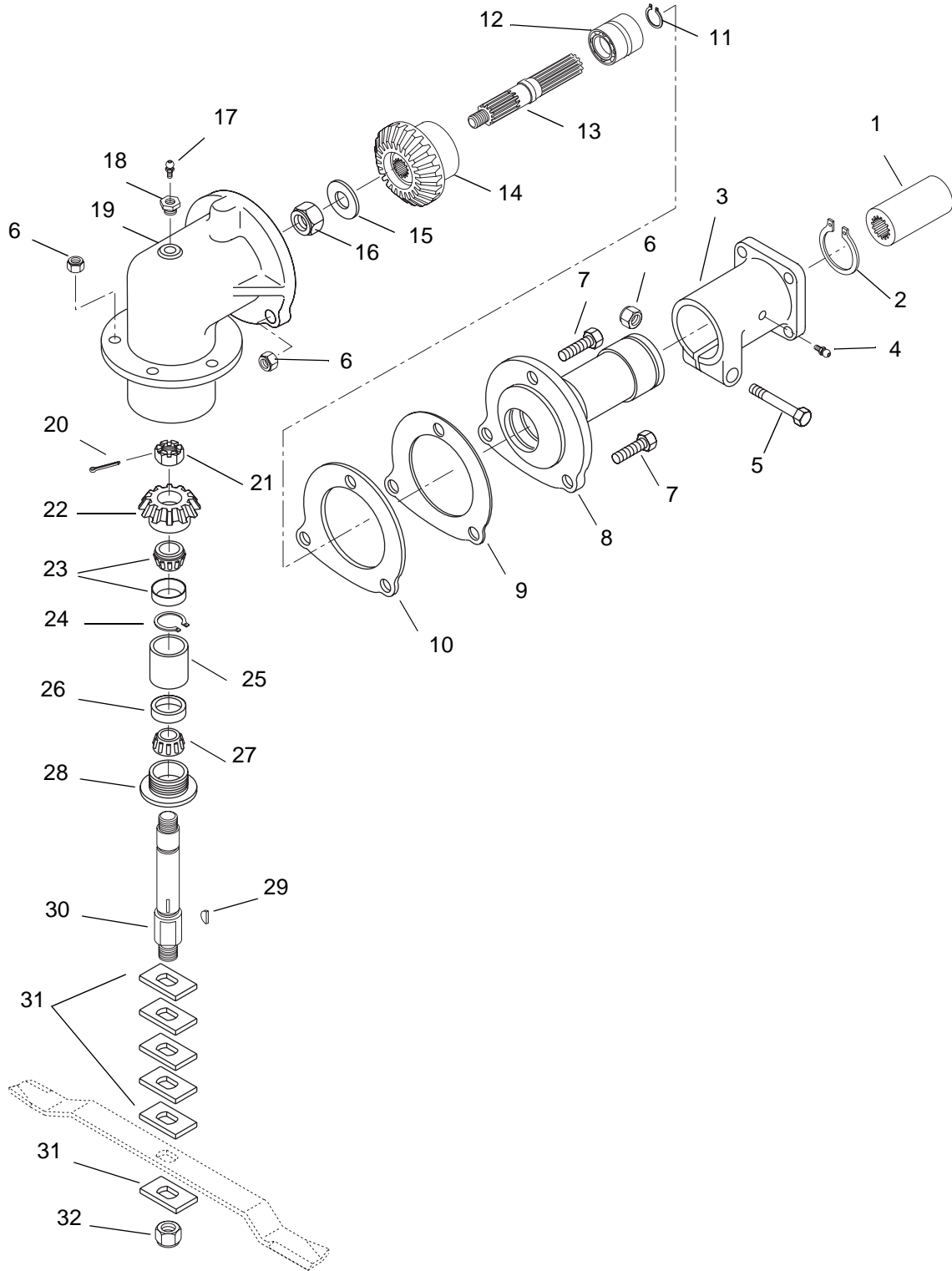
OHh0540

OHh0441

## MOWER DECK (88500100)

Item	Part No.	Qty.	Description
1	021492	2	Skid-Rotary Mower
2	021388	1	Fender-Front 30" Mower
3	010110	1	Deck-Weldment 30 in.
4	06310500	4	Washer-Lock .31
5	05970600	6	Bolt, Hex .50-13 x 1.75 Grade 5
	05960000	6	Bolt, Hex .50-13 x 3.25 Grade 5 (On Rapid Units Only)
6	06442000	6	Washer-Flat-Steel .563 x 1.38 x .109
7	021399	1	Bracket-Wheel L-H
8	05708300	1	Ring-Retaining-External .625 x .042
9	06430300	2	Washer-Flat-Stainless Steel .656 x 1.25 x .1
10	015351	1	Roller-Gage
11	021400	1	Weldment-Bracket
12	05946900	14	Bolt-Hex .31-18 x 1.00 Grade 5
13	06530200	14	Nut-Locking Nylon .31-18
14	05936800	4	Bolt-Hex .31-24 x .625
15	06435800	10	Washer, Flat .312 x .734 x .065
16	012855	2	Panel Skid
17	032448	1	Weldment-Rear Fender
18	07731400	2	Decal, Mower Pan Head Danger
19	07742300	1	Decal, Warning
20	07852100	1	Decal, Width of Cut
21	05232900	1	Decal, 30
22	08691200	1	Counterweight, 30" Deck
	08691200	7	Counterweight, 30" Deck (On Rapid Units Only)
23	022526	1	Rotary Mower Blade .375"
24	022527	1	Spacer-Cutting Height .125
25	022529	1	Blade, 30" Mower-Thin
26	022530	1	Blade, 30" Mower-Thin, Cross Slot
27	05947900	1	Bolt, Hex .25-20 x .50 Grade 5 (On Rapid Units Only)
28	06529700	1	Nut, Locking, Center .25-20 (On Rapid Units Only)

# SHORT MOWER DRIVE KIT (78500600)



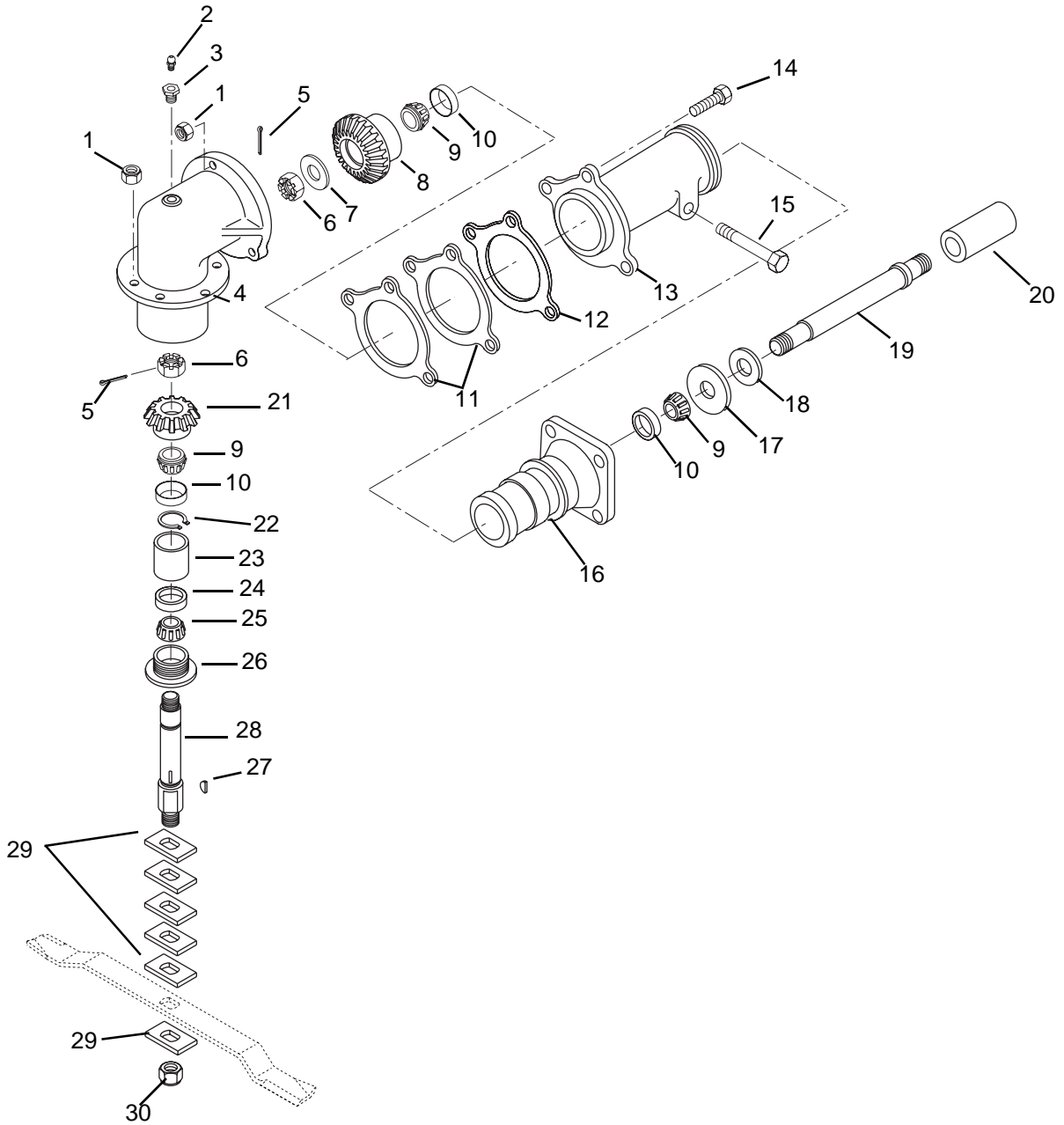
OHh0460



## SHORT MOWER DRIVE KIT (78500600)

Item	Part No.	Qty.	Description
1	032118	1	Coupling
2	032120	1	Ring-Retaining External 2.25 x .078
3	032114	1	Casting-Swivel
4	07012600	1	Fitting-Lube .25-28 x .256
5	05960000	1	Bolt-Hex .50-13 x 3.25 Grade 5
6	06540600	9	Nut-Lock Nylon .50-13
7	05970600	3	Bolt-Hex .50-13 x 1.75 Grade 5
8	032115	1	Housing-Shaft
9	032862	2	Shim .005
10	032863	1	Shim .020
11	022242	1	Ring-Retaining: .937 Shaft
12	014640	1	Assembly-Bearing: 1.000 x 1.980 x 1.243
13	032117	1	Shaft-Drive
14	08659700	1	Gear-Bevel
15	06442800	1	Washer-Flat-Steel .656 x 1.31 x .095
16	0657700	1	Nut-Lock .625-18 Hex Head Type N
17	07012500	1	Fitting-Lube .125
18	144044	1	Bushing-Reducing Pipe .5
19	032116	1	Housing-Gear
20	06713400	1	Pin-Cotter .094 x 1.25
21	06523900	1	Nut-Hex .625-18 Slotted
22	08659800	1	Pinion Bevel
23	038199	1	Assembly-Bearing Cup & Cone
24	05714200	1	Ring-Retaining-Internal 2.210 x .062
25	022521	1	Bushing- 1.75 x 1.94 x 1.94, Steel
26	022524	1	Cup-Bearing 1.980 x .42
27	022523	1	Cone-Bearing 29 mm x .58
28	022522	1	Seal
29	271089	1	Key-Woodruff .13 x .38
30	022520	1	Shaft-Rotor
31	022526	6	Spacer-Cutting Height .25
32	017313	1	Nut-Lock .875-9 Heat Treated Thin

# LONG MOWER DRIVE KIT (78500700)



OHh0510

## LONG MOWER DRIVE KIT (78500700)

Item	Part No.	Qty.	Description
1	06540600	14	Nut-Locking-Nylon .50-13
2	07012500	1	Fitting-Lube .125
3	144044	1	Bushing-Reducing Pipe .5
4	032116	1	Housing-Gear
5	06713400	1	Pin-Cotter .094 x 1.25
6	06523900	1	Nut-Hex-Slotted .625-18
7	06442800	1	Washer-Flat-Steel .656 x 1.31 x .095
8	08659700	1	Gear-Bevel
9	20035500	3	Cone-Roller Bearing
10	20035400	1	Cup-Roller Bearing
11	21511700	2	Shim .020
12	032862	1	Shim .005
13	08525400	3	Casting-Swivel
14	05936000	1	Bolt-Hex .50-13 x 1.75
15	05960000	1	Bolt-Hex .50-13 x 3.25 Grade 5
16	022515	1	Housing-Shaft
17	035034	1	Washer-Flat-Steel 1.006 x 2.247 x .060
18	05421600	1	Washer-Hardened-Thrust 1.00 x 1.55 x .03
19	035036	1	Shaft-Drive
20	035035	1	Coupling (Rapid units must use coupler sleeve, part number 08691300, from kit 78510700.)
21	051328	1	Pinion-Bevel
22	022497	1	Ring-Retaining-Internal 2.210 x .062
23	022521	1	Bushing 1.75 x 1.94 x 1.94
24	022524	1	Bearing-Cup 1.980 x .420
25	022523	1	Bearing-Cone 29mm x .58
26	022522	1	Seal
27	271089	1	Key-Woodruff .13 x .38
28	022520	1	Shaft-Rotor
29	022526	6	Spacer-Cutting Height .25
30	017313	1	Nut-Locking .875-9



# Ariens Limited



## Warranties

### 2-Year Limited Lawn and Garden Consumer Warranty

Ariens Company (Ariens) warrants to the **original purchaser** that Ariens and Gravely brand consumer products manufactured by Ariens Company will be free from defects in material and workmanship for a period of two (2) years after the date of purchase, and that Ariens will repair any defect in material or workmanship, and repair or replace any defective part, subject to the conditions, limitations and exclusions set forth herein. Such repair or replacement will be free of charge to the **original purchaser** (labor and parts), except as noted below.

The two-year duration of this warranty applies only if the product is put to ordinary, reasonable, and usual personal, family, or household uses. If the product is put to any business, commercial, or industrial use such as, but not limited to, commercial landscaping, mowing or snow removal services, or golf course or park maintenance, or agricultural or farmstead use, then the duration of this warranty is ninety (90) days after the date of purchase, or one (1) year after the date of purchase if the product is labeled as a Professional/Commercial Product. The duration of this warranty shall be ninety (90) days after the date of purchase if any product is rented or leased.

### 2-Year Limited Lawn and Garden Commercial Warranty

The Ariens Company (Ariens) warrants to the **original purchaser** that all Gravely Pro and ProMaster products manufactured by Ariens will be free from defects in material and workmanship for a period of two (2) years after the date of purchase or 1000 hours of use, whichever comes first. An authorized Gravely dealer will repair any defect in material or workmanship, and repair or replace any defective part, subject to the conditions, limitations and exclusions set forth herein. Such repair or replacement will be free of charge to the **original purchaser** (labor and parts), except as noted below.

The duration of this warranty shall be ninety (90) days after the date of purchase or 1000 hours of use, whichever comes first, if any product is rented or leased.

### 3-Year Limited Sno-Thro Warranty

Ariens Company (Ariens) warrants to the **original purchaser** that Sno-Thro products manufactured by Ariens Company will be free from defects in material and workmanship for a period of three (3) years after the date of purchase, and will repair any defect in material or workmanship, and repair or replace any defective part, subject to the conditions, limitations and exclusions set forth herein. Such repair or replacement will be free of charge to the **original purchaser** (labor and parts), except as noted below.

The three-year duration of this warranty applies only if the product is put to ordinary, reasonable, and usual personal, family, or household uses. If the product is put to any business, commercial, or industrial use, then the duration of this warranty is ninety (90) days after the date of purchase, or one (1) year after the date of purchase if the product is labeled as a Professional/Commercial Product. The duration of this warranty shall be ninety (90) days after the date of purchase if any product is rented or leased.

### DURA-CLEAN™ Auger Limited Lifetime Warranty

Ariens Company (Ariens) warrants to the **original purchaser** that the rubber components of the DURA-CLEAN™ Auger manufactured by Ariens Company will be free from defects in material and workmanship and will not wear out for the life of the Sno-Thro, except as noted below.

Ariens Company will provide for the replacement of any of the rubber components of the DURA-CLEAN™ Auger found upon examination by the Ariens Company to be defective or worn out. Replacements will be supplied free of charge. Labor is not included after two (2) years from the date of purchase of the Sno-Thro.

The lifetime limited warranty shall apply if the product is put to ordinary, reasonable, and usual personal household use. If the product is put to any business, commercial, industrial, rental, or leased use, the warranty shall be against defects in material and workmanship for ninety (90) days following the date of purchase.

## Exceptions, Limitations, Exclusions

These warranties are subject to the following conditions, limitations, and exclusions:

To obtain warranty service, the following conditions must be met:

- The purchaser must perform the maintenance and minor adjustments explained in the owner's manual.
- The purchaser must promptly notify Ariens Company or an authorized Ariens service representative of the need for warranty service.
- The purchaser must transport the product to and from the place of warranty service.
- Warranty service must be performed by a respective Ariens or Gravely authorized service representative.
- To find an Ariens or Gravely authorized service representative, contact Ariens at:

655 W. Ryan St., P.O. Box 157

Brillion, WI 54110-0157

(920) 756 - 2141

www.ariens.com

www.gravely.com

This warranty is subject to the following limitations:

- Genuine Ariens or Gravely brand service parts and accessories not purchased with the product covered by this warranty, but which are later purchased and used with that product, are warranted to be free from defects in material and workmanship for a period of ninety (90) days after date of purchase, and Ariens Company will repair or replace any such part or accessory free of charge, except for labor, during that period.
- Batteries are warranted only for a period of twelve (12) months after date of purchase, on a prorated basis. For the first ninety (90) days of the warranty period, a defective battery will be replaced free of charge. If the applicable warranty period is more than 90 days, Ariens Company will cover the prorated cost of any defective battery, for up to twelve (12) months after the date of purchase.

Ariens may from time to time change the design of its products. Nothing contained in this warranty shall be construed as obligating Ariens to incorporate such design changes into previously manufactured products, nor shall such changes be construed as an admission that previous designs were defective.

### LIMITATION OF REMEDY AND DAMAGES

Ariens Company's liability under this warranty, and under any implied warranty that may exist, is limited to repair of any defect in workmanship, and repair or replacement of any defective part. Ariens Company shall not be liable for incidental, special, or consequential damages (including lost profits). Some states do not allow the exclusion of incidental or consequential damages, so the above limitation or exclusion may not apply to you.

The following items are excluded from this warranty:

- Engines and engine accessories are covered only by the engine manufacturer's warranty and are not covered by this warranty.
- Peerless gearboxes and/or transmissions are covered only by Peerless' warranty and are not covered by this warranty.
- Hydro-Gear transmissions and/or Hydro-Gear drive components are covered only by the Hydro-Gear warranty and are not covered by this warranty.
- Parts that are not genuine Ariens or Gravely brand service parts are not covered by this warranty.
- Except as specifically warranted, normal maintenance, services, and normal replacement items, such as spark plugs, oil, oil filters, air filters, mufflers, belts, tires, shoes, runners, scraper blades, shear bolts, mower blades, mower vanes, headlights, light bulbs, knives, etc. are not covered by this warranty except as noted below.
- Mufflers, belts, and tires on consumer lawn and garden products are warranted to the **original purchaser** for two years.
- Friction discs, idlers, cables, and electrical components on Sno-Thros put to usual personal household use are warranted to the **original purchaser** for two years.
- Any defect which is the result of misuse, alteration, improper assembly, improper adjustment, neglect, or accident is not covered by this warranty.
- This warranty applies only to products purchased in the United States (including Puerto Rico) and Canada. In all other countries, contact place of purchase for warranty information.

### DISCLAIMER OF FURTHER WARRANTY

**Ariens Company makes no warranty, express or implied, other than what is expressly made in this warranty. If the law of your state provides that an implied warranty of merchantability, or an implied warranty of fitness for particular purpose, or any other implied warranty, applies to Ariens Company, then any such implied warranty is limited to the duration of this warranty. Some states do not allow limitations on how long an implied warranty lasts, so the above limitation may not apply to you.**

*This warranty gives you specific legal rights, and you may also have other rights which vary from state to state.*



GRAVELY  
A Division of Ariens Company  
655 West Ryan Street  
P.O. Box 157  
Brillion, WI 54110-0157  
920-756-2141  
Fax 920-756-2407  
[www.gravelly.com](http://www.gravelly.com)

## Free Manuals Download Website

<http://myh66.com>

<http://usermanuals.us>

<http://www.somanuals.com>

<http://www.4manuals.cc>

<http://www.manual-lib.com>

<http://www.404manual.com>

<http://www.luxmanual.com>

<http://aubethermostatmanual.com>

Golf course search by state

<http://golfingnear.com>

Email search by domain

<http://emailbydomain.com>

Auto manuals search

<http://auto.somanuals.com>

TV manuals search

<http://tv.somanuals.com>