

Installation, Operation and Maintenance Manual

Please read and save these instructions. Read carefully before attempting to assemble, install, operate or maintain the product described. Protect yourself and others by observing all safety information. Failure to comply with instructions could result in personal injury and/or property damage! Retain instructions for future reference.

Vektor ERS-MD

Greenheck model VKERS is a pre-engineered energy recovery system designed to connect directly to a Vektor-MD high plume dilution blower with bypass air plenum. This installation manual covers procedures for receiving, installing and maintaining the energy recovery coil section.

For additional instruction and maintenance information on the Vektor-MD high plume dilution blowers, visit www.greenheck.com and download the VK-MD instruction manual, part number 464652.



General Safety Information

Only qualified personnel should install this fan system. Personnel should have a clear understanding of these instructions and should be aware of general safety precautions. Improper installation can result in electric shock, possible injury due to coming in contact with moving parts, as well as other potential hazards. Other considerations may be required if high winds or seismic activity are present. If more information is needed, contact a licensed professional engineer before moving forward.

DANGER

Always disconnect power before working on or near a fan. Lock and tag the disconnect switch or breaker to prevent accidental power up.

CAUTION

When servicing the fan, motor may be hot enough to cause pain or injury. Allow motor to cool before servicing.

CAUTION

Precaution should be taken in explosive atmospheres.

1. Follow all local electrical and safety codes, as well as the National Electrical Code (NEC), the National Fire Protection Agency (NFPA), where applicable. Follow the Canadian Electric Code (CEC) in Canada.
2. The rotation of the wheel is critical. It must be free to rotate without striking or rubbing any stationary objects.
3. Motor must be securely and adequately grounded.
4. Do not spin fan wheel faster than maximum cataloged fan rpm. Adjustments to fan speed significantly effects motor load. If the fan RPM is changed, the motor current should be checked to make sure it is not exceeding the motor nameplate amps.
5. Do not allow the power cable to kink or come in contact with oil, grease, hot surfaces or chemicals. Replace cord immediately if damaged.
6. Verify that the power source is compatible with the equipment.
7. Never open access doors to a duct while the fan is running.

Receiving

Upon receiving the product, check to make sure all items are accounted for by referencing the bill of lading to ensure all items were received. Inspect each crate for shipping damage before accepting delivery. Notify the carrier if any damage is noticed. The carrier will make notification on the delivery receipt acknowledging any damage to the product. All damage should be noted on all the copies of the bill of lading which is countersigned by the delivering carrier. A Carrier Inspection Report should be filled out by the carrier upon arrival and the Traffic Department. If damaged upon arrival, file claim with carrier. Any physical damage to the unit after acceptance is not the responsibility of Greenheck Fan Corporation.

Unpacking

Verify that all required parts and the correct quantity of each item have been received, including accessory kit containing flex connector, gasketing, etc. If any items are missing, report shortages to your local representative to arrange for obtaining missing parts. Sometimes it is not possible that all items for the unit be shipped together due to availability of transportation and truck space. Confirmation of shipment(s) must be limited to only items on the bill of lading.

Handling

Fans are to be rigged and moved by the lifting brackets provided or by the skid when a forklift is used. Location of brackets varies by model and size. Handle each piece in such a manner as to keep from scratching or chipping the coating. Damaged finish may reduce ability of fan to resist corrosion. See coating repair section of this manual for details involving touch-up of damaged surfaces.

Fans should never be lifted by the shaft, fan housing, motor, belt guard, weatherhood, windband or other accessories.

Storage

Fans are protected against damage during shipment. If the unit cannot be installed and operated immediately, precautions need to be taken to prevent deterioration of the unit during storage. The user assumes responsibility of the fan and accessories while in storage. The manufacturer will not be responsible for damage during storage. These suggestions are provided solely as a convenience to the user.

INDOOR

The ideal environment for the storage of fans and accessories is indoors, above grade, in a low humidity atmosphere which is sealed to prevent the entry of blowing dust, rain, or snow. Temperatures should be evenly maintained between 30°F (-1°C) and 110°F (43°C) (wide temperature swings may cause condensation and “sweating” of metal parts). All accessories must be stored indoors in a clean, dry atmosphere.

Remove any accumulations of dirt, water, ice or snow and wipe dry before moving to indoor storage. To avoid “sweating” of metal parts allow cold parts to reach room temperature. To dry parts and packages use a portable electric heater to get rid of any moisture build up. Leave coverings loose to permit air circulation and to allow for periodic inspection.

The unit should be stored at least 3½ in. (89 mm) off the floor on wooden blocks covered with moisture proof paper or polyethylene sheathing. Aisles between parts and along all walls should be provided to permit air circulation and space for inspection.

OUTDOOR

Fans designed for outdoor applications may be stored outdoors, if absolutely necessary. Roads or aisles for portable cranes and hauling equipment are needed.

The fan should be placed on a level surface to prevent water from leaking into the fan. The fan should be elevated on an adequate number of wooden blocks so that it is above water and snow levels and has enough blocking to prevent it from settling into soft ground. Locate parts far enough apart to permit air circulation, sunlight, and space for periodic inspection. To minimize water accumulation, place all fan parts on blocking supports so that rain water will run off.

Do not cover parts with plastic film or tarps as these cause condensation of moisture from the air passing through heating and cooling cycles.

Fan wheels should be blocked to prevent spinning caused by strong winds.

Inspection and Maintenance during Storage

While in storage, inspect fans once per month. Keep a record of inspection and maintenance performed; see page 12.

If moisture or dirt accumulations are found on parts, the source should be located and eliminated. At each inspection, rotate the wheel by hand ten to fifteen revolutions to distribute lubricant on motor and bearings. If paint deterioration begins, consideration should be given to touch-up or repainting. Fans with special coatings may require special techniques for touch-up or repair.

Machined parts coated with rust preventive should be restored to good condition promptly if signs of rust occur. Immediately remove the original rust preventive coating with petroleum solvent and clean with lint-free cloths. Polish any remaining rust from surface with crocus cloth or fine emery paper and oil. Do not destroy the continuity of the surfaces. Wipe clean thoroughly with Tectyl® 506 (Ashland Inc.) or the equivalent. For hard to reach internal surfaces or for occasional use, consider using Tectyl® 511M Rust Preventive or WD-40® or the equivalent.

Removing from Storage

As fans are removed from storage to be installed in their final location, they should be protected and maintained in a similar fashion, until the fan equipment goes into operation.

Prior to assembly and installation of the Vektor fan and system components, inspect the fan assembly to make sure it is in working order.

1. Check all fasteners, set screws on the fan, wheel, bearings, drive, motor base and accessories for tightness.
2. Rotate the fan wheel(s) by hand and assure no parts are rubbing. Access to the wheel is obtained through a bolted panel located on the side of the fan housing.

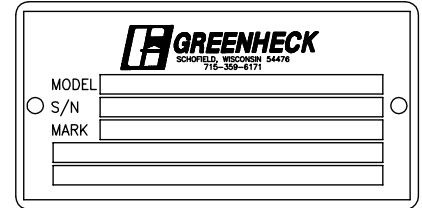
Table of Contents

Receiving, Handling, Storage.....	2
Unit Identification	3
Installation	
Plenum Cabinet.....	4
Unit Weights	4
Plenum Service Clearances and Access	5
Assembly and Installation	
Roof Curb and Plenum Cabinet.....	5-6
Duct Connections	
Plenum Inlet.....	7
Duct Connections	7
Drain Trap.....	8
Coils	
Water Coil	8-9
Coil Checklist	9
Filter Replacement	9
Coating Touch-Up Procedure	10
Optional Accessories	
Dirty Filter Sensor (Magnehelic Gauge).....	10
Vapor Tight Lights.....	10
Routine Maintenance	
Coils.....	11
Filters.....	11
Drain Pan.....	11
Service	
Coil Replacement	12
Reference	
Maintenance Log	12
Warranty	12

Unit Identification

System Identification Tags

The tag shown is an example of an identification label on the fan. The information provides general details about the fan, as well as containing specific information unique to the unit. When contacting your Greenheck representative with future needs or questions, please have the information on this label available. Tags are mounted in an area which is clearly visible, usually on the side of the fan cabinet.



ERS and Vektor fan systems may arrive in component pieces due to shipping restrictions. Individual components of a system have matching identification tags which should be used to identify and assemble the complete system. Assembling systems with different identification tags can cause reductions in the fan(s) performance.

General Information

To ensure a successful installation, the instructions in this manual should be read and adhered to. Failure to comply with proper installation procedures may void the warranty.

Pre-Installation Checks

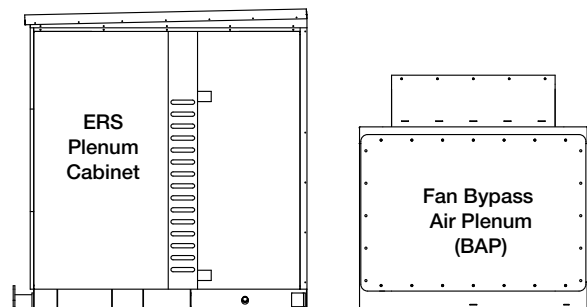
Prior to fully assembling and installing the ERS plenum cabinet and Vektor fan bypass plenum components, inspect plenums, coils, and fan assembly to make sure they are in working order.

Storage

When an ERS plenum cabinet is not going to be in service for an extended period of time, certain procedures should be followed to keep the plenum and coils in proper operating condition. Cover unit with tarp to protect from dirt and moisture.

NOTE

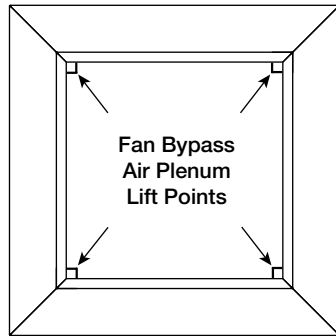
Do not use a black tarp as this will promote condensation.



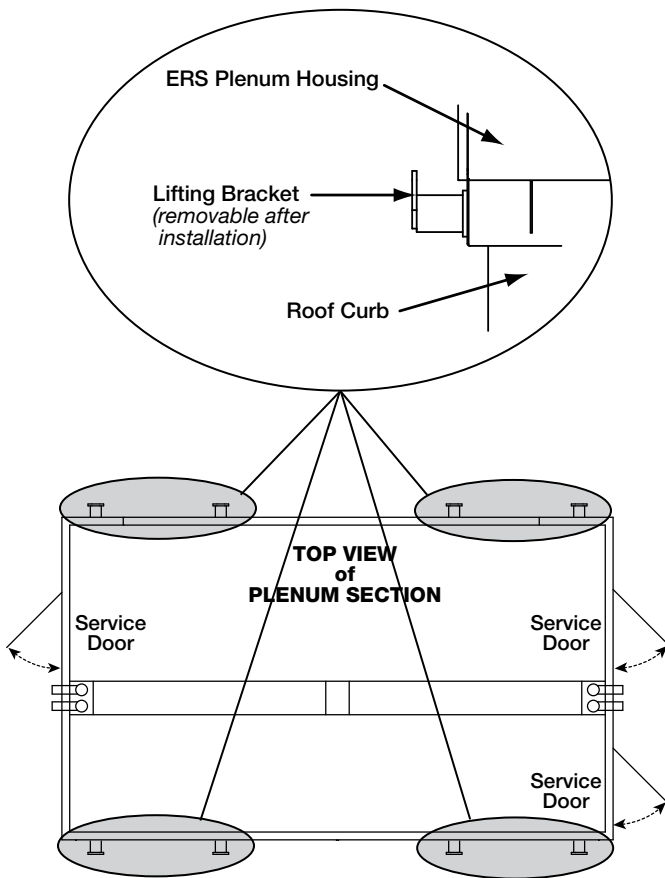
Fan System Components

Installation

ERS plenum cabinets and fan bypass air plenums are to be rigged and moved by the lifting brackets provided. Handle in such a manner as to keep from scratching or chipping the coating. Damaged finish may reduce ability of cabinet to resist corrosion. See coating repair section of this manual for details involving touch-up of damaged surfaces.



Top view of Bypass Air Plenum



CAUTION

When installing an ERS plenum cabinet, ensure the proper protective devices are used to protect personnel from moving parts and other hazards.

Check local codes to ensure compliance for all protective devices.

ERS plenum cabinet with coil section should be lifted/hoisted by lifting brackets provided. These brackets are located around the lower perimeter of the plenum cabinet.

1. Before lifting, be sure that all shipping material has been removed from unit.
2. To assist in determining rigging requirements, weights are shown below.
3. Unit must be lifted by the lifting brackets provided on base structure.
4. Rigger to use suitable mating hardware to attach to unit lifting brackets.
5. Two spreader bars must span the unit to prevent damage to the cabinet by the lift cables.
6. Always test-lift the unit to check for proper balance and rigging before hoisting to desired location.
7. Never lift units in windy conditions.
8. Preparation of curb and roof openings should be completed prior to lifting unit to the roof. Verify the curb has the gasket seal on the top surface.
9. Do not use fork lifts for handling unit.

Unit Weights (ERS Plenum Section Only)

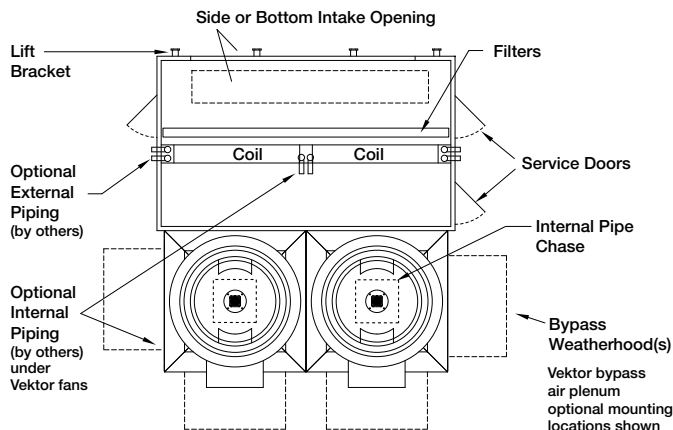
Cabinet Size	Cabinet Height	Weight (lbs)*
020	075	3700
	090	4500
030	075	4300
	090	4900
040	075	5400
	090	6100
060	075	6900
	090	7800
	110	8300

*Weights shown are for largest coil and filter options per cabinet size. Based on dry weight. Weights for custom designed units may vary.



Plenum Service Clearances and Access Locations

ERS plenum cabinet and Vektor fan bypass air plenum (BAP) require minimum clearances for access on three sides for routine maintenance. Filter replacement, drain pan inspection and cleaning, coil inspection, damper actuator adjustments and inspection, fan bearing lubrication and belt adjustment (belt drive units), are examples of routine maintenance that must be performed. Coil and filter sections are always provided with a service door or panel for proper component access. Clearances for component removal may be greater than the service clearances. Refer to page 12 for coil clearances.

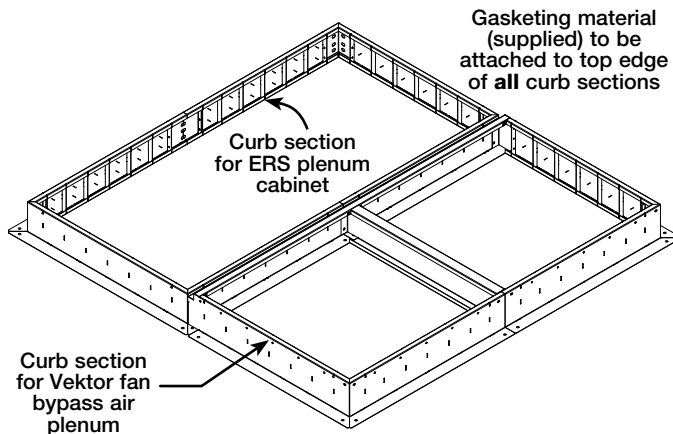


Assembly of Roof Curbs and ERS Plenum Cabinet to the Bypass Air Plenum (BAP)

Rooftop units require curbs to be mounted first. The duct connections must be located so they will be clear of structural members of the building.

1. Assemble factory supplied roof curbs

Roof curbs are Model VK-ERS, which are shipped knocked down and require field assembly (by others). Assembly instructions are included with the roof curb.



Anchor curb to roof deck structure in accordance with project construction documents.

NOTE

Gasketing material (shipped with Vektor fan) should be placed on the top edge of secured roof curb prior to placing the ERS plenum cabinet and Vektor bypass air plenum on the curb.

NOTE

If fan bypass air plenum (BAP) is in sections, these should be assembled first, prior to connection to ERS plenum cabinet. Refer to Vektor Fan IOM (part number 464652) on how to assemble the fan BAP.

Determine the placement of the plenum sections relative to each other. Please refer to the submittal drawing for the orientation of any bypass air plenum (BAP) dampers or air inlet locations.

2. Cut roof opening and locate curb

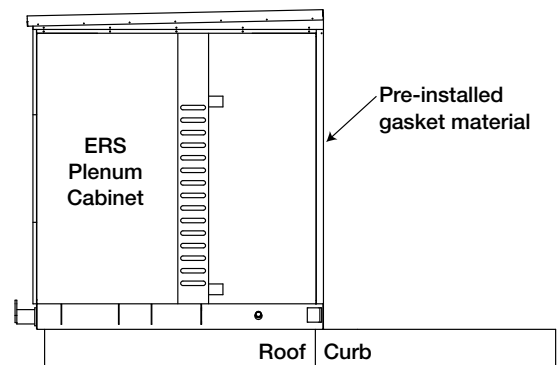
Layout the unit roof openings such that exhaust inlet of the unit will line up with the corresponding ductwork (refer to Recommended Roof Openings on page 7). Do not make opening larger than necessary. Be sure to allow for the recommended service clearances.

3. Install roof curbs

Locate curb over roof opening. Check that the diagonal dimensions are within $\pm 1/8$ inch of each other and adjust as necessary. Shim as required to level. Secure curb to roof deck. Attach supplied gasketing to top of curb.

4. Set the ERS plenum cabinet

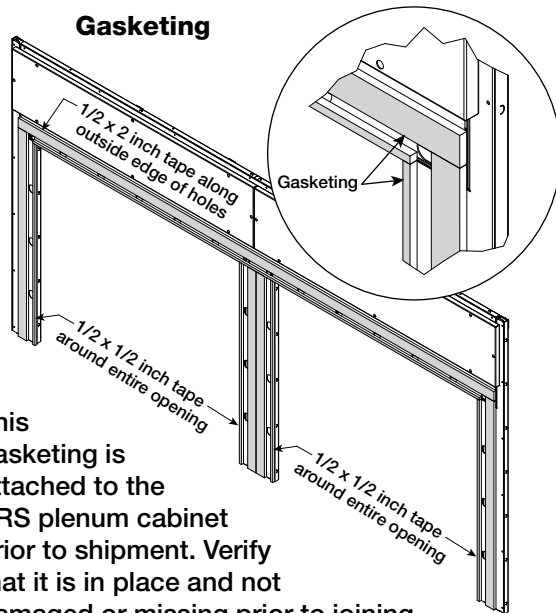
Lift ERS plenum cabinet to a point directly above the curb and duct openings. While lowering, guide cabinet to align with duct opening. Roof curbs fit inside the unit base. Set ERS plenum cabinet into place on assembled VK-ERS roof curb. Allow gasketing on curb to compress before setting the fan bypass air plenum. Make sure the unit is properly seated on the curb and is level.



**ERS Plenum Cabinet
Installed on Roof Curb**

5. Set the Vektor fan bypass air plenum

Before moving the Vektor fan BAP into position, gasketing must be installed to seal the plenum sections against leakage.

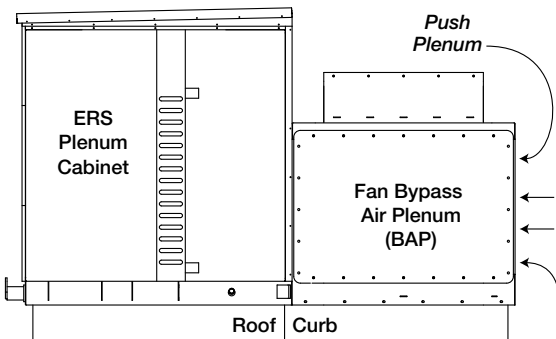


This gasketing is attached to the ERS plenum cabinet prior to shipment. Verify that it is in place and not damaged or missing prior to joining the two plenums together.

The assembly hardware (stainless steel bolts) required to join the sections is located in the Vektor fan bypass air plenum accessory kit.

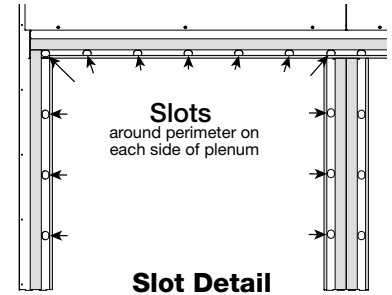
Assembly Hardware Kit	
5/16 - 18 UNC x 2-1/2 lag bolts	
5/16 inch flat washers	
1/2 inch flat washers	
3/4 inch flat washers	
<i>Quantities in hardware kit will vary by unit size and configuration.</i>	

Lift and set the Vektor fan BAP on the curb against the ERS plenum. Follow rigging and lifting instructions in the Vektor-MD installation instruction (part number 464652). Push fan bypass air plenum tight against ERS plenum, making sure to line up bolt holes. Be certain to compress foam gasket to form an airtight seal.



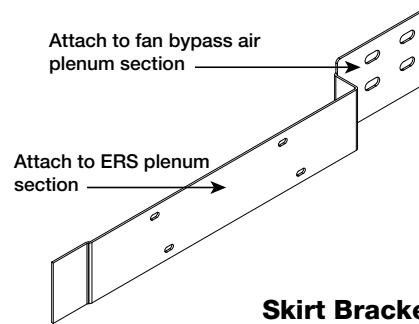
ERS and Vektor Fan Bypass Plenum Assembly Installed on Roof Curb

Inside the ERS plenum are slots along the marrying sections which accept the bolt and washer assemblies. Using the hardware kit, attach the unit sections by bolting together frame extrusion from the inside.



Tighten the bolt-washer assemblies to the top and both sides of the joining sections. Start on the lower sides and work towards the top. As the bolts are tightened, the plenum sections will draw together. Use anti-seize gel to prevent galling / welding of all stainless steel fasteners. If necessary, pull the units together with a mechanical come-along device at the structural base of the unit or at lifting lugs.

External brackets, one for each side, transition and connect lower section of the bypass air plenum to the ERS cabinet. These brackets ship with the BAP and also complete the connection between the BAP and roof curb.



After the ERS plenum and Vektor fan BAP are joined and secured, the Vektor fans can be set on the BAP. Refer to Vektor Fan installation instruction (part number 464652) on this procedure.

Installation

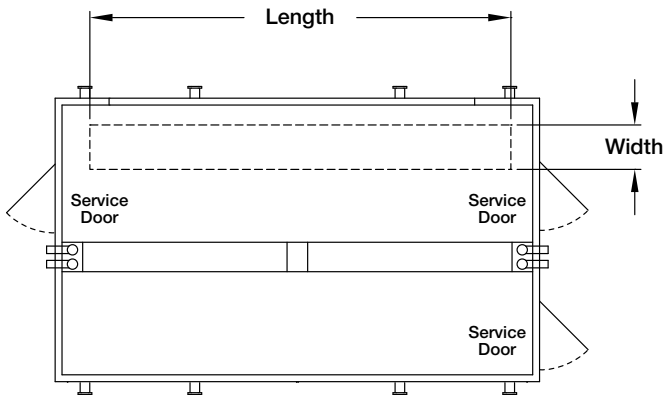
Installations with inlet configurations that deviate from this standard may result in reduced fan performance. Restricted or unstable flow at the fan inlet can cause pre-rotation of incoming air or uneven loading of the fan wheel yielding large system losses and increased sound levels.

Vektor Riser Installation

Check curb or structural supports for levelness. Both must be level to ensure proper drainage from plenum and fan(s).

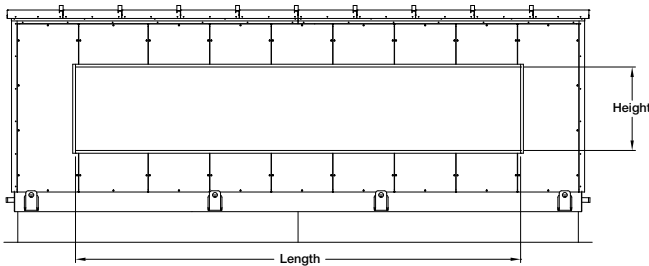
Duct Connections

Plenum Bottom Inlet Opening



Cabinet Size	Length (inches)	Width (inches)
020	86	25
030	120	25
040	172	25
060	236	25

Plenum Side Inlet Duct Dimension



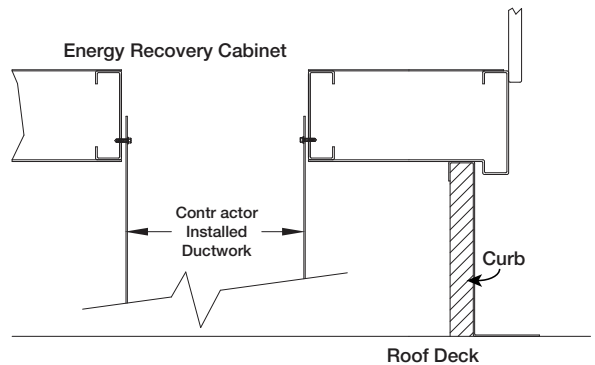
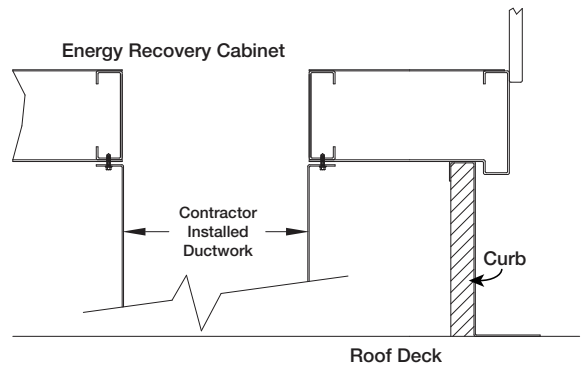
Cabinet Size	Length (inches)	Height (inches)
020	86	30
030	120	30
040	172	30
060	236	30

Duct Connections

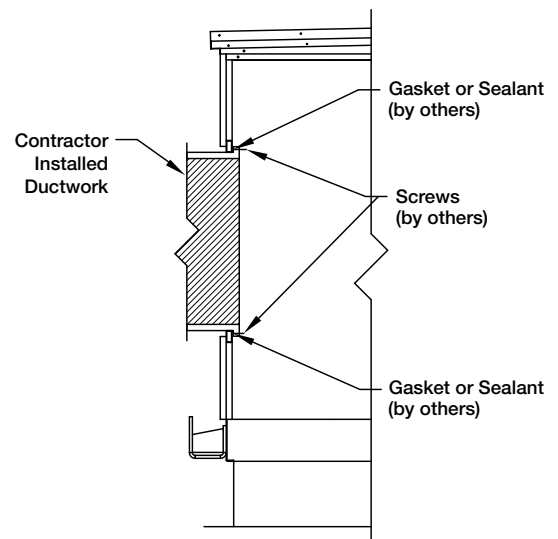
Installation of all ducts should be done in accordance with SMACNA and AMCA guidelines.

Connect primary exhaust air ducts to unit using flanged connections. Screw ducts directly to unit using stainless steel self-tapping sheet metal screws. Contractor is responsible for providing transitions to accommodate difference in sizing between unit and building ducts. Duct connections to collar-type openings can be made with S-cleats or overlapping joints. Apply caulking around the duct connection. Failure to ensure a tight fit and properly seal duct connections can cause air leakage and system performance problems from the contaminated airstream.

Bottom Inlet



Plenum Side Inlet



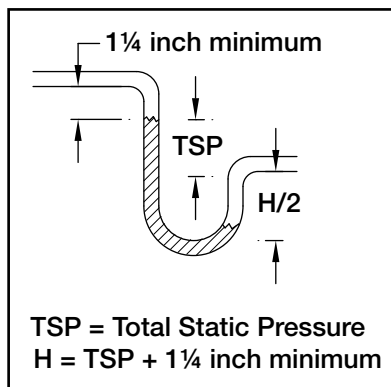
Drain Trap

Coils are provided with a stainless steel drain pan with 1 1/4-inch male NPT drain connection. A drain trap must be connected to the drain connection to allow excess water to flow out of the drain pan. More importantly though, due to the negative internal static pressure of the coil compartment, installing the drain trap prevents outdoor air from being pulled into the drain pan and consequently forcing water out of the pan and into the unit.

To ensure the drain trap works properly, the trap height must account for the difference in static pressure between ambient conditions outside the unit and the internal negative pressure of the coil compartment.

Refer to local codes to determine drainage requirements. If draining onto roof, place a drip pan below drain to protect roof. If draining onto roof is not acceptable, a drain line must be attached to the trap. The drain line must be pitched away from the unit at least 1/8-in. per foot. On longer runs, an air break should be used to ensure proper drainage. Local codes may require drainage into a waste water system.

Drainage problems not only occur from improper drain trap design, but also from lack of maintenance of the cooling coil compartment. Algae can form in the drain pan and trap and cause reduced water flow, which can result in backup into the system. Regular maintenance will prevent this from occurring. If the drains have a clean-out opening, be sure to close the opening after cleaning.



NOTE

A conservative method of trap design is to add 1-1/4 inches minimum to total static pressure.

Coils

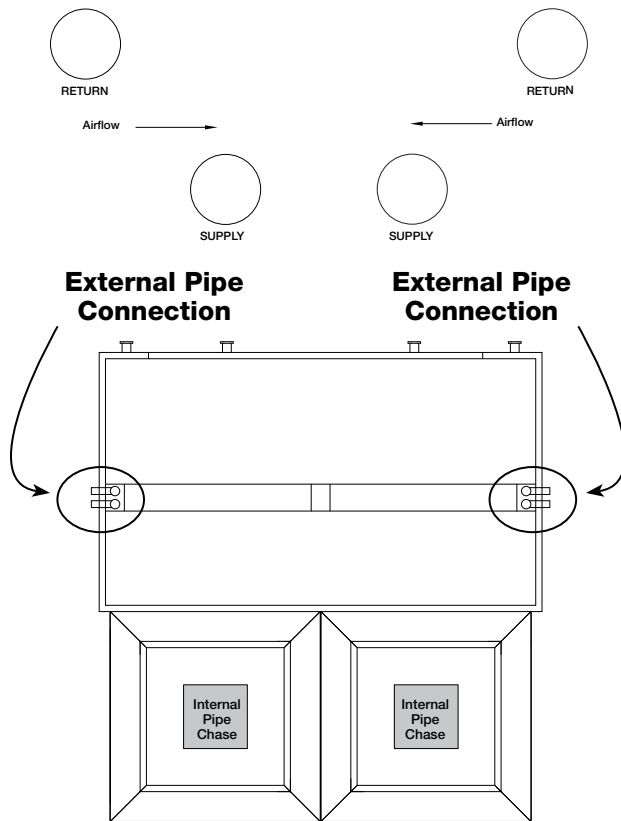
Installation of Water Coil Piping

Guidelines for the installation of the coil have been provided to ensure proper performance of the coils and their longevity. These are general guidelines that may have to be tailored to meet the specific requirements of any one job. As always, a qualified party or individual should perform the installation and maintenance of the coil. Protective equipment such as safety glasses, steel toe boots and gloves are recommended during the installation and maintenance of the coil.

All field piping must be self-supporting. System piping should be flexible enough to allow for the thermal expansion and contraction of the coil.

Water Coil Installation Recommendations

1. Piping should be in accordance with accepted industry standards. Always use a back up wrench on the coil connections when attaching the piping to the coil if pipe thread connections are utilized.
2. Connect the water supply to the bottom connection on the air leaving side and the water return to the top connection on the air entering side.
3. The air vent at the uppermost point should be temporarily opened during system start-up to release all of the air from the coil. To maintain heat transfer capacity, periodically vent any air in the coil.
4. Water coils are not normally recommended for use with entering air temperatures below 40°F. Glycol solutions or brines are the only freeze-safe media for operation of water coils for low entering air conditions.
5. Two position control valves, modulating valves, three way valves or a combination of these controls can accomplish control of water coils. Follow the recommendations of the control manufacturer regarding types, sizing and locations. Face and bypass dampers may also be used, but do not close off tightly. Air leakage in cooling applications has no appreciable affect. In heating applications, however, the air temperature may rise several degrees and should be considered in system design. Low leakage dampers may be required.



Filter Replacement

Filters are located only in the coil plenum section. Access is needed from both sides of the plenum to change all the filters. Unit may have either 2 inch MERV 8 filters or 4 inch MERV 11 filters depending on the application requirements. Use equivalent MERV rating filters when replacing.

Change the filters regularly. Pressure drop readings can be used to determine when a filter should be replaced. Prefilters should be replaced at filter manufacturers recommended pressure drop change out or as required by system design.

All filter sections have access provided by a door. Filters used in Greenheck ERS plenums can be changed in most cases by sliding them out and replacing. In some cases, filters are secured to frames using a clip.

6. Pipe sizes for the system must be selected on the basis of the head [pressure] available from the circulating pump.
7. Internal coil plumbing. Under each fan there is a raised, insulated cover panel to be used when internal pipe connections are desired. Either remove this panel to run plumbing or punch appropriately sized holes in the panel to allow piping to pass without rubbing and space for piping insulation, sealant and grommets (by others).

NOTE

Vent and drain connections are provided on Greenheck water coils unless otherwise specified. This allows the coils to be drained. Keep in mind that when draining the coils, all water may not drain from the coil. In order to completely drain the coil to prevent the possibility of freezing during cold ambient temperatures, air or nitrogen pressure must be utilized to blow any remaining water from the coil.

Coil Installation Checklist

Use the following checklist to verify that all necessary installation procedures have been completed.

1. Coils are installed with airflow in same direction as indicated on the coil nameplate or casing.
2. Condensate drain pans and piping is installed with a trap in the condensate line and piping is insulated and heated if installed in applications that are below freezing.
3. Clean filters are installed upstream.

Vektor Field Coating Touch-up Procedure for Scratched Areas

Standard coating and color for the Vektor laboratory exhaust system is Greenheck's LabCoat™ – Industrial Gray (041).

The procedure below details the correct method for repairing minor scratches in the coating.

Repair Kit Contents
1 pint Kem Kromik primer with MSDS
1 pint Industrial Gray (041) enamel with Material Data Safety Sheet
4 disposable foam brushes
1 sheet of sandpaper
2 technical data sheets for the two pints
1 repair procedure

1. Scuff affected area to be repaired using medium sandpaper (provided) or medium Scotch Brite™ pad. Feather the edges.
2. Clean affected area to be touched up using an alkaline based cleaner and rinse.
3. Apply Kem Kromik primer using 1 inch foam brush (provided). Follow technical data sheet instructions.
4. Allow primer to dry a minimum of 2 1/2 hours before top coating.
5. Topcoat with Industrial enamel using 1 inch foam brush (provided). Follow technical data sheets instructions. Allow painted units to air-dry and cure before putting into service. See Technical Data sheets for detailed drying and cure schedules at different temperatures.

To order coating repair kits, please reference Greenheck's part number HAZ2037 HI-PRO GRAY FIELD DAMAGE REPAIR KIT. Please contact factory with your fan's serial number for colors other than our standard Industrial Gray (041).

Optional Accessories

Dirty Filter Sensor (Magnehelic Gauge)

Dirty filter sensor monitors pressure drop across the exhaust air filters. Visual gauge on the side of the plenum cabinet indicates the pressure across the filter section. Periodic inspection is necessary to determine whether filters need to be replaced.

Vapor Tight Lights

Vapor tight lights provide light to each of the compartments in the energy recovery plenum. The lights are wired to a junction box mounted on the outside of the unit. The switch requires a separate power source to allow for power to the lights when the unit main disconnect is off for servicing.

Electrical Package

The electrical package consists of a switch and GFCI receptor mounted in a two gang, "in use" NEMA-3R rated box with cover plate. This box would be mounted at the factory near the ERS plenum access doors.

The GFCI is rated for 15A, 125VAC and is provided with SafeLock™ Protection. This feature denies power if the GFCI is incorrectly wired or if the GFCI is damaged and protection is lost. The GFCI is also equipped with a trip indicator light to easily identify tripped condition. Receptor uses a NEMA 5-15 R configuration.

Supplied switch is industrial extra heavy duty grade with back and side wiring. The switch has a rating of 20A, 120/277VAC and single pole. The switch comes from the factory pre-wired to lights within ERS plenum section.

Electrical wiring for power to the electrical panel is to be installed by a licensed electrician in compliance with all local and national codes.

Routine Maintenance

CAUTION

Use caution when removing access panels or other unit components, especially while standing on a ladder or other potentially unsteady base. Access panels and unit components can be heavy and serious injury may occur.

Once the unit has been put into operation, a routine maintenance program should be set up to preserve reliability and performance. Items to be included in this program are:

- **Internal Filter**
Check for cleanliness. Replace if required.
- **Door Seal**
Check if intact and pliable.
- **Coil Maintenance**
Check for cleanliness (coil and drain pan).
- **Winterizing Coils**
Drain. Fill with antifreeze. Drain.

Coil Maintenance:

Cleaning

Coils should be kept clean to maintain maximum performance. For operation at its highest efficiency, the coil should be cleaned often during periods of high cooling demand or when dirty conditions prevail. Power should be disconnected and locked out and motors should be covered to insure that no moisture penetrates into the windings causing motor failure if applicable. Remove large debris from the coils and straighten fins before cleaning. Clean coils with cold water and detergent or with one of the commercially available chemical coil cleaners. Rinse coils thoroughly after cleaning. For coils with fragile fins or high fin density, foaming chemical sprays and washes are available. Many coil cleaners contain harsh chemicals, so they must be used with caution by qualified personnel only. Care must be taken not to damage the coils. **FINS ARE SHARP!** Use caution when working with coils.

CAUTION

Do not use acidic chemical coil cleaners. Do not use alkaline chemical coil cleaners that, after mixing, have a pH value greater than 8.5 without also using an aluminum corrosion inhibitor in the cleaning solution. Failure to follow these guidelines or the manufacturer's instructions for use of cleaning chemicals could result in damage to the unit.

Fin Straightening

Coil fins may have been bent during shipping or servicing, and should be straightened to maintain maximum heat transfer. Reduction of the effective coil surface will correspondingly reduce coil capacity. Always check fin appearance after any handling of the coil and after any servicing is done near the coils. Fin combs are sized according to number of fins per inch of the coil. For relatively small bends that require only minor repair, other tools may be used to evenly space the fins. Be careful not to damage the coils.

Winterizing Coils

During any extended down time, all water should be drained from the coil. The coil should then be thoroughly flushed with a glycol solution to prevent freeze damage.

Filters

Filters upstream of the coil should be checked regularly for dirtiness and clogging. If the filters are dirty, they should be replaced. It is important that the coils stay clean to maintain maximum heat transfer capability.

Drain Pan

Drain pans may contain moisture; therefore, algae and other organisms will grow due to airborne spores and bacteria. Scheduled cleaning is necessary to prevent build-up from clogging the drain. Drain pans should also be kept clean to prevent growth of bacteria and the spread of disease.

WARNING

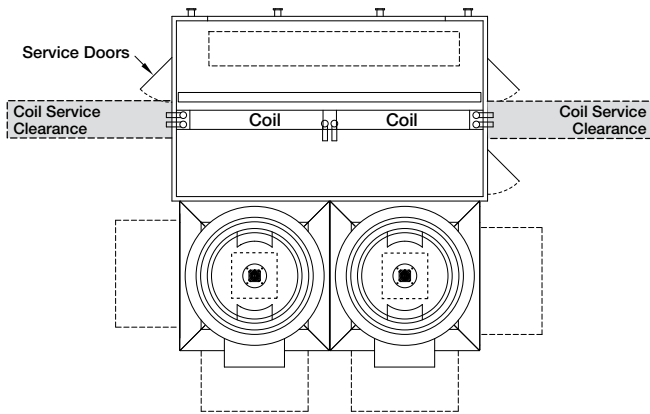
Biological Hazard! All drain pans and coils should be cleaned on a regular schedule by qualified personnel to prevent the growth of bacteria.

Service

Coil Change Out Procedure

Coils can only be pulled out through the side of the plenum cabinet. Side panels which are nearest to the coil can be removed if the coil needs to be replaced. Size 020 ERS plenums only have a single coil and do not require coil removal clearances on both sides. If necessary, both coils can be removed through the same side of the plenum housing. This process would require the removal of an additional spacer panel that separates the two coils within the unit.

Cabinet Size	Minimum Clearance (inches)
020	114
030	74 (each side)
040	100 (each side)
060	132 (each side)



Maintenance Log

Date _____ Time _____ AM/PM

Notes: _____

Date _____ Time _____ AM/PM

Notes: _____

Date _____ Time _____ AM/PM

Notes: _____

Date _____ Time _____ AM/PM

Notes: _____

Warranty

Greenheck warrants this equipment to be free from defects in material and workmanship for a period of one year from the shipment date. Any units or parts which prove defective during the warranty period will be replaced at our option when returned to our factory, transportation prepaid. Motors are warranted by the motor manufacturer for a period of one year. Should motors furnished by Greenheck prove defective during this period, they should be returned to the nearest authorized motor service station. Greenheck will not be responsible for any removal or installation costs.

As a result of our commitment to continuous improvement, Greenheck reserves the right to change specifications without notice.

Greenheck Catalog Vektor ERS-MD provides additional information describing the equipment, fan performance, available accessories, and specification data.

AMCA Publication 410-96, Safety Practices for Users and Installers of Industrial and Commercial Fans, provides additional safety information. This publication can be obtained from AMCA International, Inc. at: www.amca.org.



Phone: (715) 359-6171 • Fax: (715) 355-2399 • E-mail: gfcinfo@greenheck.com • Website: www.greenheck.com

Free Manuals Download Website

<http://myh66.com>

<http://usermanuals.us>

<http://www.somanuals.com>

<http://www.4manuals.cc>

<http://www.manual-lib.com>

<http://www.404manual.com>

<http://www.luxmanual.com>

<http://aubethermostatmanual.com>

Golf course search by state

<http://golfingnear.com>

Email search by domain

<http://emailbydomain.com>

Auto manuals search

<http://auto.somanuals.com>

TV manuals search

<http://tv.somanuals.com>