



# Model FSD-211

## APPLICATION

Model FSD-211 is a combination fire smoke damper with 3V style blades. The FSD-211 has been qualified to 2000 fpm (10.2 m/s) and 4 in. wg (1 kPa) for operation and dynamic closure in emergency fire smoke situations. Model FSD-211 may be installed vertically (with blades running horizontal) or horizontally and is rated for airflow and leakage in either direction.

## Combination FIRE SMOKE DAMPERS

Steel 3-V Blades

UL 555S Leakage Class I

UL 555 1 1/2 Hour Fire Resistance Rating

## RATINGS

### UL 555 Fire Resistance Rating

Fire Rating: 1 1/2 Hours  
Dynamic Closure Rating: Actual ratings are size dependent  
Maximum Velocity: 2000 fpm (10.2 m/s)  
Maximum Pressure: 4 in. wg (1 kPa)  
Maximum Temperature: 350°F (177°C) -- Depending on actuator

### UL 555S Leakage Rating

Leakage Class: I  
Operational Rating: Actual ratings are actuator dependent  
Maximum Velocity: 2000 fpm (10.2 m/s)  
Maximum Pressure: 4 in. wg (1 kPa)  
Maximum Temperature: 350°F (177°C) - Depending on actuator

## STANDARD CONSTRUCTION

**Frame:** 5 in. x 1 in. (127mm x 25mm) galvanized steel hat channel with reinforced corners. A low profile head and sill are used on sizes less than 17 in. (432mm) high to maximize free area and performance.  
**Blades:** 16 ga. (1.5mm) galvanized steel, reinforced with 3 longitudinal structurally designed vee's.  
**Seals:** Extruded silicone rubber blade seals  
**Jamb Seals:** Flexible stainless steel jamb seals  
**Linkage:** Concealed in jamb.  
**Closure Device:** UL listed 165°F (74°C) RRL  
**Axles:** 1/2 in. (13mm) dia. plated steel  
**Bearings:** Bronze sleeve type

## SIZE LIMITATIONS:

**Minimum Size:** 8 in. W x 6 in. H (203mm W x 152mm H)  
**Maximum Size:** Single Section: 32 in. W x 50 in. H (813mm W x 1270mm H)  
36 in. W x 48 in. H (914mm x 1219mm)  
Multiple Section:  
Horizontal: 144 in. W x 96 in. H (3658mm W x 2438mm H)  
Vertical: 128 in. W x 100 in. H (3251mm W x 2540mm H)

## OPTIONAL FEATURES:

- RRL/OCI (Open closed indication switches)
- Electric or pneumatic actuators
- POC retaining angles
- Smoke detectors
- Momentary switch
- Pneumatic Relief Valve (PRV)
- Security bars
- TOR (remote override of 165°F (74°C) or 212°F (100°C) closure allows damper to perform smoke management functions during a fire emergency)
- 165°F (74°C), 212°F (100°C), 250°F (121°C), and 350°F (177°C) RRL's available.
- Sealed transitions and sleeves

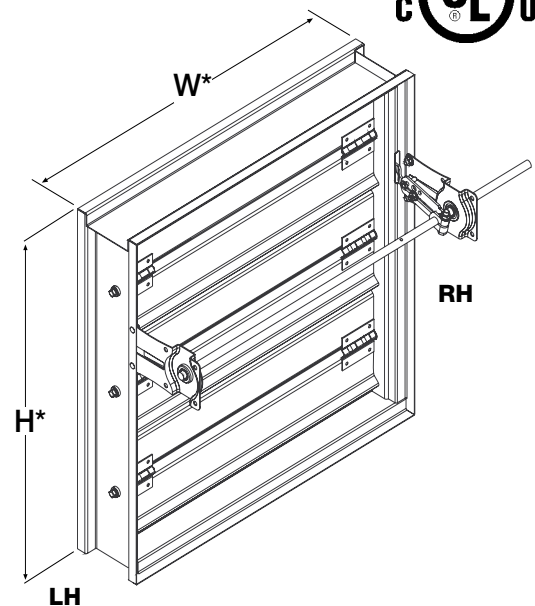
Model FSD-211 meets the requirements for fire dampers, smoke dampers and combination fire smoke dampers established by:

**National Fire Protection Association**  
NFPA Standards 80, 90A, 92A, 92B, 101 & 105  
**IBC International Building Codes**  
**ICBO Uniform Building Codes**  
**CSFM California State Fire Marshal**  
Fire Damper Listing (#3225-0981:103)  
Leakage (Smoke) Damper Listing (#3230-0981:104)  
**New York City** (MEA listing #260-91-M)

**"UL CLASSIFIED (see complete marking on product)"**  
**"UL CLASSIFIED to Canadian safety standards (see complete marking on product)"**  
Standard 555 & 555S (Listing #R13317)



Greenheck Fan Corporation certifies that the model FSD-211 shown herein is licensed to bear the AMCA Seal. The ratings shown are based on tests and procedures performed in accordance with AMCA Publication 511 and comply with the requirements of the AMCA Certified Ratings Programs. The AMCA Certified Ratings Seal applies to air performance ratings only.



\*W&H dimensions furnished approximately 1/4in. (6mm) undersize.  
(Add sleeve thickness for overall sleeved damper dimension)  
Right hand drive is shown. Left hand drive is available upon request.

Installation installations available at [www.greenheck.com](http://www.greenheck.com)

This pressure drop testing was conducted in accordance with AMCA Standard 500-D using the three configurations shown. All data has been corrected to represent standard air at a density of .075 lb/ft<sup>3</sup> (1.201 kg/m<sup>3</sup>).

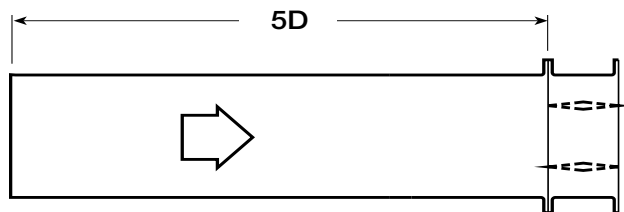
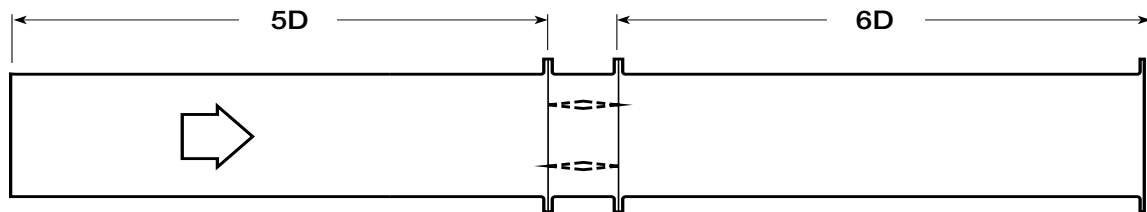
Actual pressure drop found in any HVAC system is a combination of many factors. This pressure drop information along with an analysis of other system influences should be used to estimate actual pressure losses for a damper installed in a given HVAC system.

## AMCA Test Figures

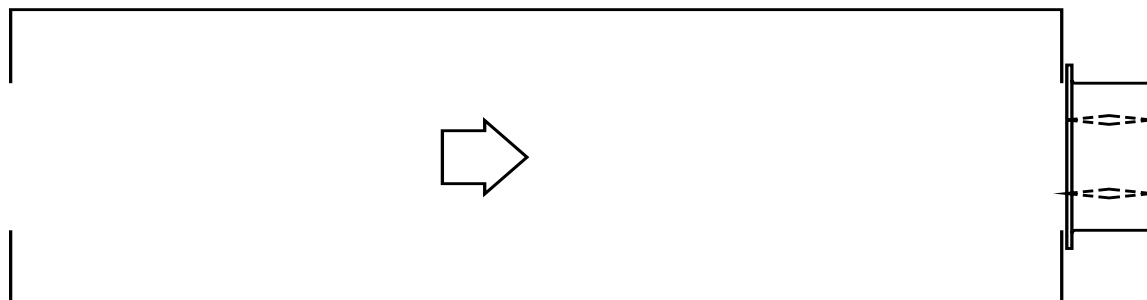
**Figure 5.3** Illustrates a fully ducted damper. This configuration has the lowest pressure drop of the three test configurations because entrance and exit losses are minimized by straight duct runs upstream and downstream of the damper.

**Figure 5.2** Illustrates a ducted damper exhausting air into an open area. This configuration has a lower pressure drop than Figure 5.5 because entrance losses are minimized by a straight duct run upstream of the damper.

**Figure 5.5** Illustrates a plenum mounted damper. This configuration has the highest pressure drop because of extremely high entrance and exit losses due to the sudden changes of area in the system.



$$D = \sqrt{\frac{4(W)(H)}{3.14}}$$



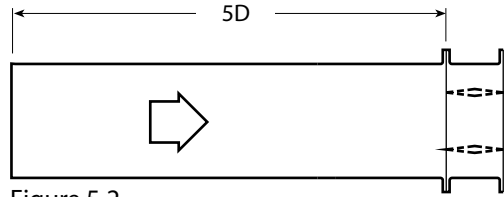
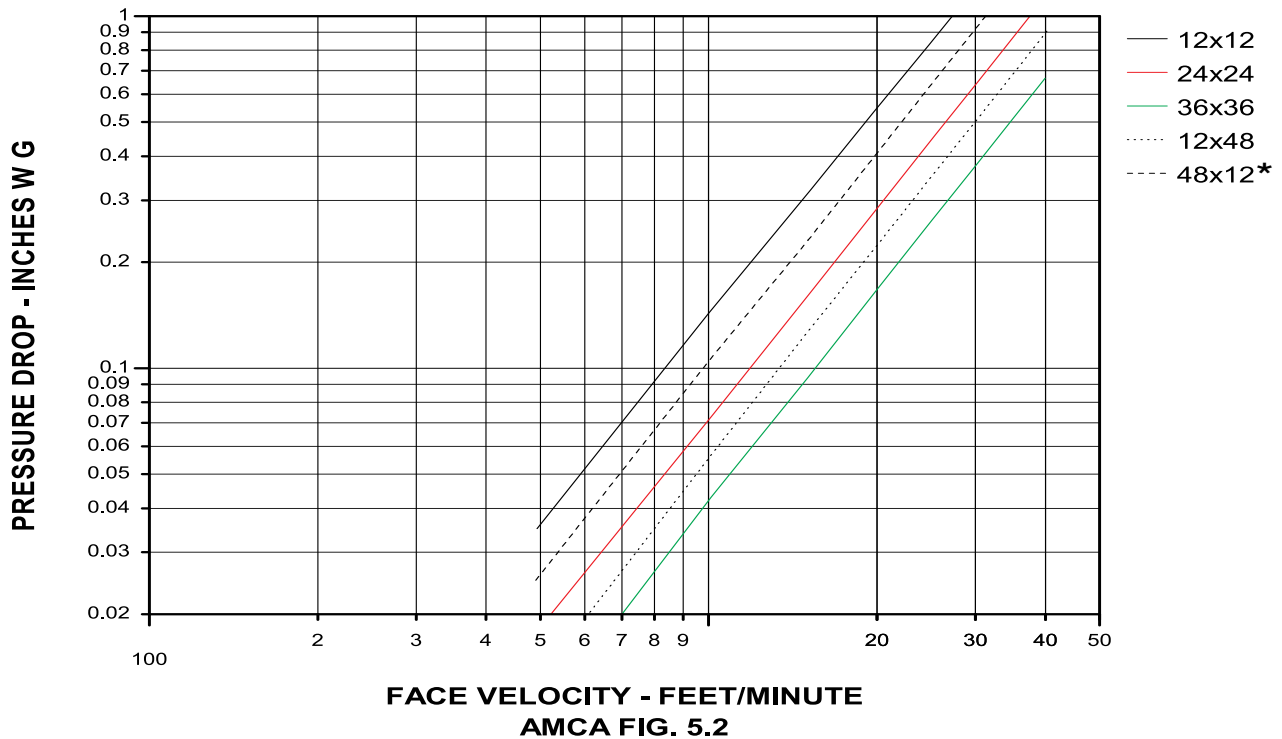


Figure 5.2

## VELOCITY VS. PRESSURE DROP



AMCA FIG. 5.2

12 in. x 12 in. (305mm x 305mm)

Velocity (fpm)	Pressure Drop (in. wg)
500	0.04
1000	0.14
1500	0.31
2000	0.55
2500	0.86
3000	1.24
3500	1.69
4000	2.20

24 in. x 24 in. (610mm x 610mm)

Velocity (fpm)	Pressure Drop (in. wg)
500	0.02
1000	0.07
1500	0.16
2000	0.29
2500	0.45
3000	0.65
3500	0.89
4000	1.16

36 in. x 36 in. (914mm x 914mm)

Velocity (fpm)	Pressure Drop (in. wg)
500	0.01
1000	0.04
1500	0.09
2000	0.16
2500	0.25
3000	0.36
3500	0.49
4000	0.64

12 in. x 48 in. (305mm x 1219mm)

Velocity (fpm)	Pressure Drop (in. wg)
500	0.01
1000	0.06
1500	0.13
2000	0.23
2500	0.36
3000	0.52
3500	0.70
4000	0.92

48 in. x 12 in. (1219mm x 305mm)

Velocity (fpm)	Pressure Drop (in. wg)
500	0.03
1000	0.10
1500	0.23
2000	0.41
2500	0.63
3000	0.91
3500	1.24
4000	1.62



Greenheck Fan Corporation certifies that the model FSD-211 shown herein is licensed to bear the AMCA Seal. The ratings shown are based on tests and procedures performed in accordance with AMCA Publication 511 and comply with the requirements of the AMCA Certified Ratings Programs. The AMCA Certified Ratings Seal applies to air performance ratings only.

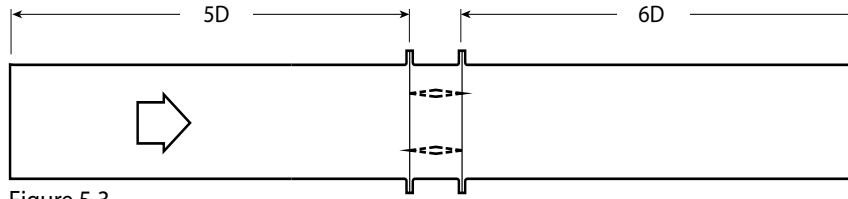
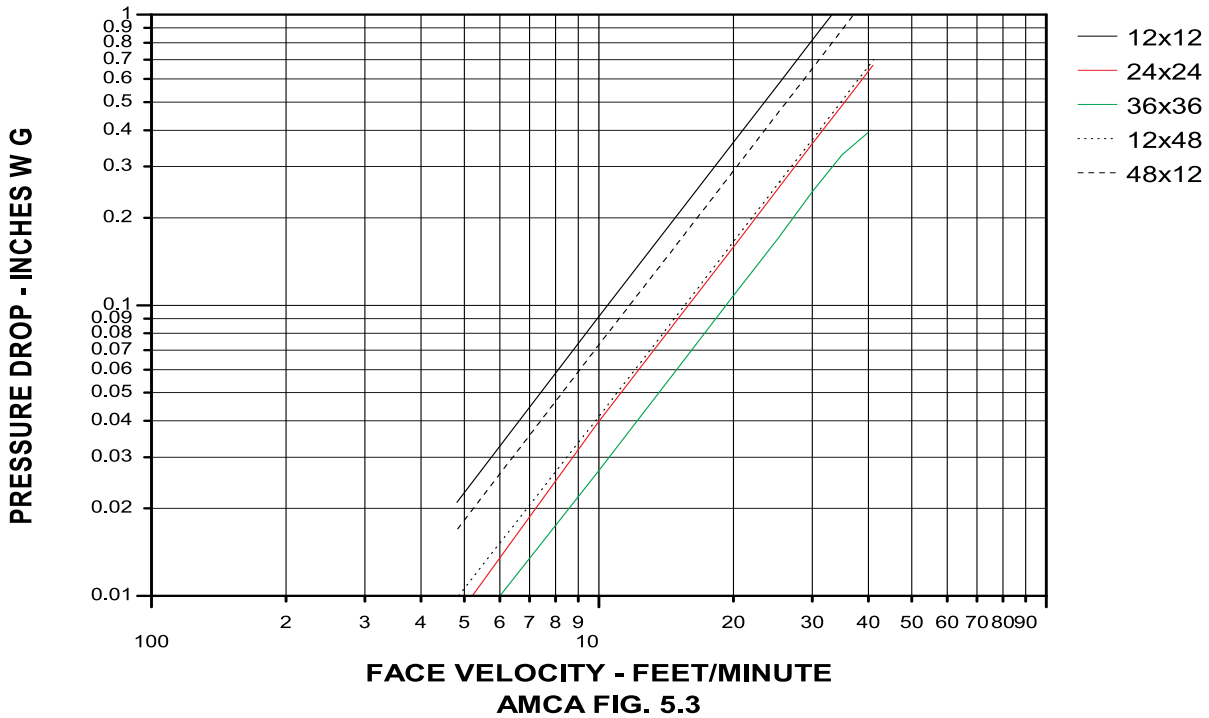


Figure 5.3

### VELOCITY VS. PRESSURE DROP



AMCA FIG. 5.3

12 in. x 12 in. (305mm x 305mm)

Velocity (fpm)	Pressure Drop (in. wg)
500	0.02
1000	0.09
1500	0.20
2000	0.36
2500	0.56
3000	0.81
3500	1.10
4000	1.44

24 in. x 24 in. (610mm x 610mm)

Velocity (fpm)	Pressure Drop (in. wg)
500	0.01
1000	0.04
1500	0.09
2000	0.16
2500	0.25
3000	0.35
3500	0.48
4000	0.63

36 in. x 36 in. (914mm x 914mm)

Velocity (fpm)	Pressure Drop (in. wg)
500	0.01
1000	0.03
1500	0.06
2000	0.11
2500	0.17
3000	0.24
3500	0.33
4000	0.42

12 in. x 48 in. (305mm x 1219mm)

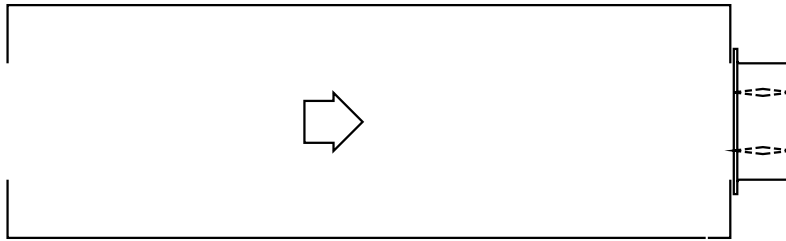
Velocity (fpm)	Pressure Drop (in. wg)
500	0.01
1000	0.04
1500	0.10
2000	0.17
2500	0.27
3000	0.39
3500	0.53
4000	0.70

48 in. x 12 in. (1219mm x 305mm)

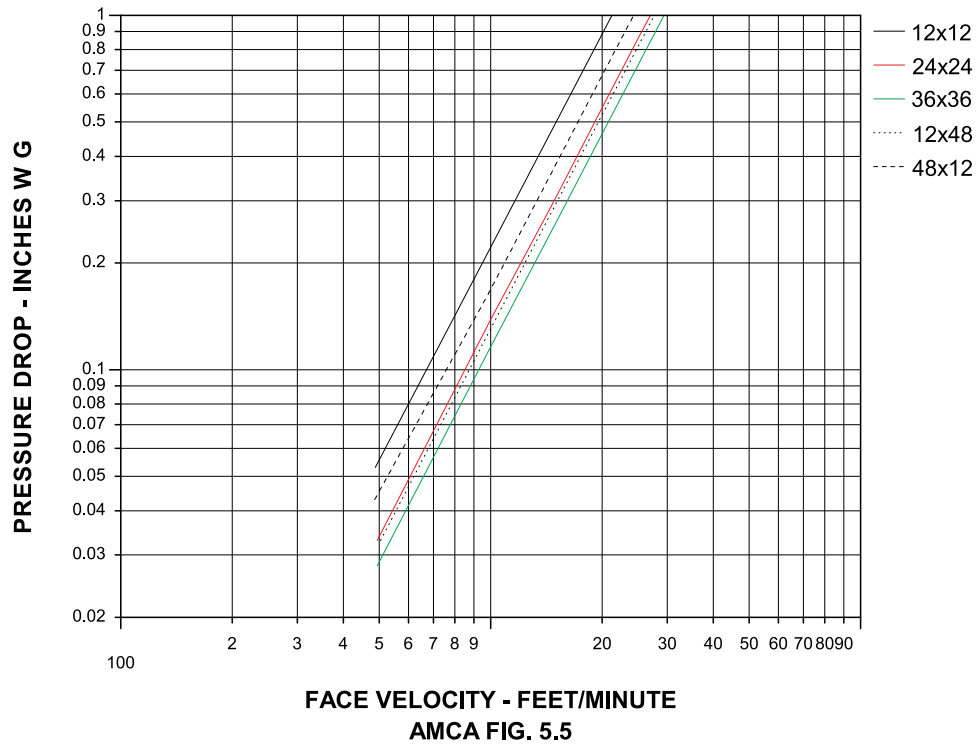
Velocity (fpm)	Pressure Drop (in. wg)
500	0.02
1000	0.07
1500	0.16
2000	0.29
2500	0.45
3000	0.64
3500	0.88
4000	1.14



Greenheck Fan Corporation certifies that the model FSD-211 shown herein is licensed to bear the AMCA Seal. The ratings shown are based on tests and procedures performed in accordance with AMCA Publication 511 and comply with the requirements of the AMCA Certified Ratings Programs. The AMCA Certified Ratings Seal applies to air performance ratings only.



VELOCITY VS. PRESSURE DROP



12 in. x 12 in. (305mm x 305mm)

Velocity (fpm)	Pressure Drop (in. wg)
500	0.06
1000	0.22
1500	0.50
2000	0.89
2500	1.39
3000	2.00
3500	2.72
4000	3.55

24 in. x 24 in. (610mm x 610mm)

Velocity (fpm)	Pressure Drop (in. wg)
500	0.03
1000	0.14
1500	0.31
2000	0.54
2500	0.85
3000	1.22
3500	1.66
4000	2.17

36 in. x 36 in. (914mm x 914mm)

Velocity (fpm)	Pressure Drop (in. wg)
500	0.03
1000	0.12
1500	0.26
2000	0.46
2500	0.73
3000	1.05
3500	1.42
4000	1.86

12 in. x 48 in. (305mm x 1219mm)

Velocity (fpm)	Pressure Drop (in. wg)
500	0.03
1000	0.13
1500	0.30
2000	0.53
2500	0.83
3000	1.19
3500	1.62
4000	2.11

48 in. x 12 in. (1219mm x 305mm)

Velocity (fpm)	Pressure Drop (in. wg)
500	0.04
1000	0.17
1500	0.38
2000	0.67
2500	1.04
3000	1.50
3500	2.05
4000	2.67



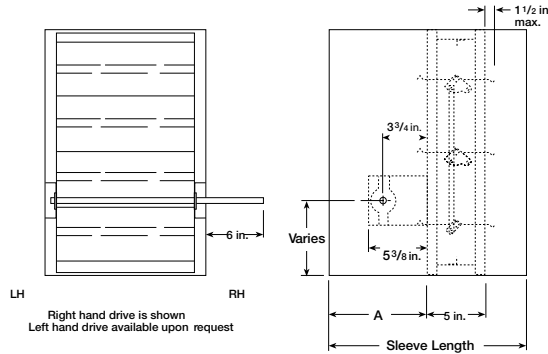
Greenheck Fan Corporation certifies that the model FSD-211 shown herein is licensed to bear the AMCA Seal. The ratings shown are based on tests and procedures performed in accordance with AMCA Publication 511 and comply with the requirements of the AMCA Certified Ratings Programs. The AMCA Certified Ratings Seal applies to air performance ratings only.

# Application Data

## Damper Sleeve Dimensional Data

The drawings below and corresponding table show the position of the FSD-211 damper when mounted in a factory sleeve. The standard mounting locations provide enough space for the mounting of actuators, controls and allow space for installation of retaining angles and duct connections.

The standard location of a damper mounted in a factory sleeve ("A" dimension) is shown below. The damper can be positioned at other locations within a range of 6 in. (152mm) to 12 in. (305mm) for the "A" dimension.



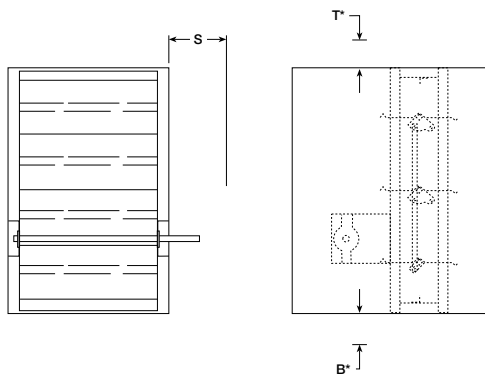
in. (mm)	"A" Dimension	
	Standard	Maximum
All Dampers*	7 3/16 (183)	12 (305)
When H is 11 in. (279mm) or less with OCI, RRL, or TOR	12 (305)	12 (305)

\*With the exception of dampers 10 in. high (254mm) or less.  
NOTE: Entire damper frame is not required to be installed within the wall. The damper blades, when closed should be contained within the wall.

## Actuators and Accessories Space Envelopes

Externally mounted actuators always require space outside of the damper sleeve. The "S" dimension illustrates the clearance required for various available actuators.

On dampers less than 18 in. (457mm) high, actuators may also require clearances above and/or below the sleeve. "B" and "T" dimensions are *worst* case clearance requirements for some dampers less than 18 in. (457mm) high. All damper sizes under 18 in. (457mm) high do not require these worst case clearances. If space availability above or below the damper sleeve is limited, each damper size should be individually evaluated.

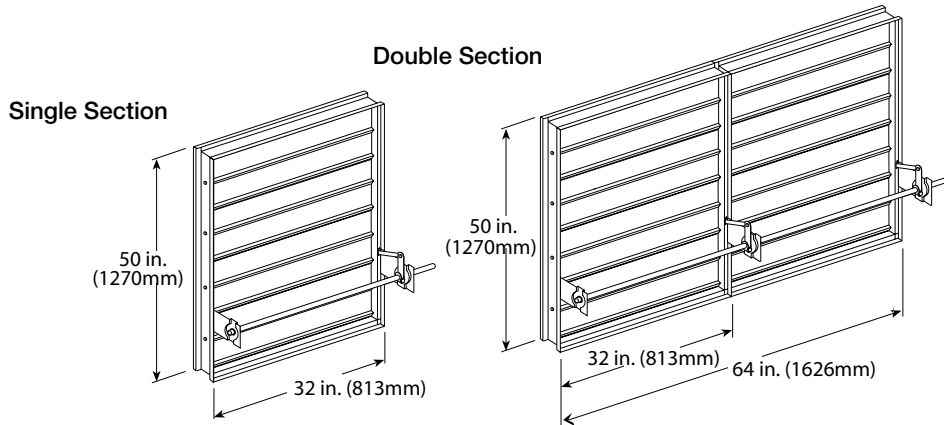


Actuator Type/Model	B*	T*	S
	With RRL, RRL/OCI, or TOR	With RRL, RRL/OCI, or TOR	
120 Volt AC			
ML-4XXX Series Honeywell	5 1/4 in. (133mm)	3/4 in. (19mm)	6 in. (152mm)
MS-4XXX Series Honeywell	6 in. (152mm)	3/8 in. (10mm)	6 in. (152mm)
MS-4120 Series Honeywell	6 in. (152mm)	3/8 in. (10mm)	6 in. (152mm)
24 Volt AC			
ML-8XXX Series Honeywell	5 1/4 in. (133mm)	3/4 in. (19mm)	6 in. (152mm)
MS-8XXX Series Honeywell	6 in. (152mm)	6 in. (152mm)	6 in. (152mm)
MS-8120 Series Honeywell	6 in. (152mm)	6 in. (152mm)	6 in. (152mm)
Pneumatic (25 psi min.)			
331-4551 Powers	1 in. (25mm)	6 1/4 in. (159mm)	6 1/2 in. (165mm)
331-2976 Powers	2 3/8 in. (60mm)	12 1/8 in. (308mm)	9 1/4 in. (235mm)
MK2-7121 Invensys	3 3/4 in. (95mm)	16 1/2 in. (419mm)	10 in. (254mm)

\* For dampers 18 in. (457mm) or more in height these dimensions are 0 in. .

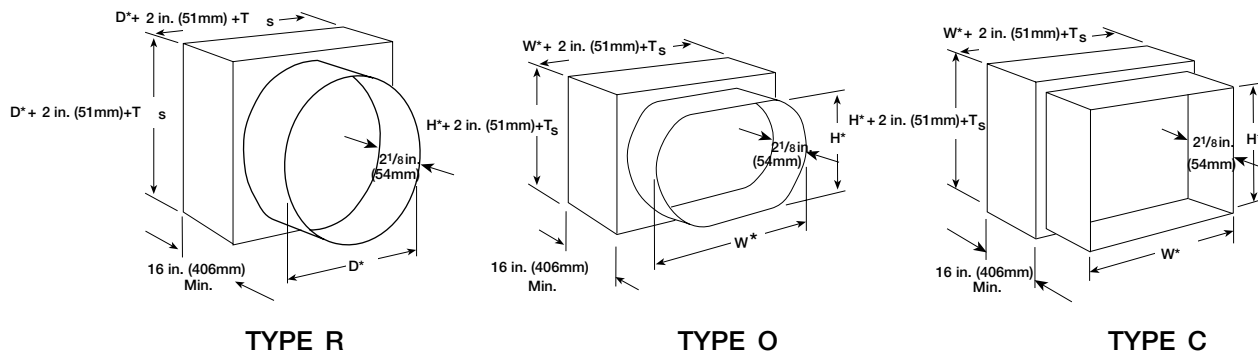
# Damper Sizing Information

Dampers larger than maximum single section size are supplied as a factory assembly of two or more sections of equal size. The following figures show maximum damper section size and assembly configurations for multi-section dampers.



## Transitioned Damper Dimensions

When a fire/smoke damper is being used in conjunction with round or oval ductwork, the FSD-211 can be supplied in a factory sleeve with round or oval transitions on both ends of the sleeve. Dampers should be ordered to the duct dimensions. Drawings below show overall damper size.



\* These dimensions are furnished approximately 1/4 in. (6mm) undersize, except round and oval dimensions which are approximately 1/8 in. (3mm) undersize.

$$T_s = (2)(\text{Sleeve Thickness})$$

## Specifications

Combination Fire Smoke Dampers meeting the following specifications shall be furnished and installed where shown on plans and/or as described in schedules. Dampers shall meet the requirements of NFPA 80, 90A, 92A, 92B, 101 & 105 and further shall be tested, rated and labeled in accordance with the latest edition of UL Standards 555 and 555S. Dampers shall have a UL555 fire rating of 1½ hours and be of low leakage design qualified to UL 555S Leakage Class I.

Each damper/actuator combination shall have a UL555S elevated temperature rating of 250°F (121°C) minimum and shall be operational and dynamic rated to operate at maximum design air flow at its installed location. Each damper shall be supplied with an appropriate actuator installed by the damper manufacturer at the time of damper fabrication. Damper actuator shall be (specifier select one of the following) electric type for 120 (24 or 230) volt operation or pneumatic type for 25 psi minimum (30 psi maximum) operation.

Damper blades shall be 16 ga. (1.5mm) galvanized steel 3V type with three longitudinal grooves for reinforcement. Damper frame shall be galvanized steel formed into a structural hat channel shape with

reinforced corners. Bearings shall be sintered bronze sleeve type rotating in extruded holes in the damper frame. Blade edge seals shall be silicone rubber designed to inflate and provide a tighter seal against leakage as pressure on either side of the damper increases. Jamb seals shall be stainless steel compression type. Blades shall be completely symmetrical relative to their axle pivot point, presenting identical resistance to airflow in either direction or pressure on either side of the damper.

The Damper Manufacturer's submittal data shall certify all air performance pressure drop data is licensed in accordance with the AMCA Certified Ratings Program for Test Figures 5.2, 5.3, and 5.5. Damper air performance data shall be developed in accordance with the latest edition of AMCA Standard 500-D. Dampers shall be labeled with the AMCA Air Performance Seal.

Damper must be rated for mounting vertically (with blades running horizontal) or horizontally and be UL 555S rated for leakage and airflow in either direction through the damper. Each damper shall be supplied with a 165°F (74°C) RRL. The basis of design is Greenheck Model FSD-211.



P.O. Box 410 • Schofield, WI 54476-0410 • 715.359.6171 • greenheck.com

Copyright ©2006 Greenheck Fan Corporation  
FSD-211 Rev 3 June 2006

## Free Manuals Download Website

<http://myh66.com>

<http://usermanuals.us>

<http://www.somanuals.com>

<http://www.4manuals.cc>

<http://www.manual-lib.com>

<http://www.404manual.com>

<http://www.luxmanual.com>

<http://aubethermostatmanual.com>

Golf course search by state

<http://golfingnear.com>

Email search by domain

<http://emailbydomain.com>

Auto manuals search

<http://auto.somanuals.com>

TV manuals search

<http://tv.somanuals.com>