

APPLICATION

Model SMD-401M is a class I leakage rated modulating smoke damper. The model SMD-401M serves the function of both a control damper and smoke damper. High strength airfoil blades ensure the lowest resistance to airflow in HVAC systems with velocities to 2000 fpm (10.2 m/s) and 4 wg (1 kPa). Model SMD-401M may be installed vertically (with blades running horizontal) or horizontally and is rated for airflow and leakage in either direction.

RATINGS

Leakage Class:	I
Operational Rating:	Actual ratings are size dependent.
Max. Velocity:	up to 2000 fpm (10.2 m/s)
Max. Pressure:	4 in. wg (1 kPa)
Temperature:	250°F (121°C) with all actuators.

STANDARD CONSTRUCTION

Frame:	5 in. x 1 in. (127mm x 25mm) galvanized steel hat channel with reinforced corners. A low profile head and sill are used on sizes less than 17 in. (432mm) high to maximize free area and performance.
Blades:	Airfoil shape constructed of heavy gauge extruded aluminum. Structural reinforcement through the entire length.
Seals:	Extruded silicone rubber blade seals. Flexible stainless steel jamb seals.
Linkage:	Concealed in jamb.
Axles:	½ in. (13mm) dia. plated steel.
Bearings:	Bronze sleeve type.

SIZE LIMITATIONS:

Minimum Size:	8 in. W x 8 in. H (203mm W x 203mm H)
Maximum Size:	
Single Section:	36 in. W x 36 in. H (914mm W x 914mm H)
Multi Section:	144 in. W x 36 in. H (3658mm W x 914mm H)

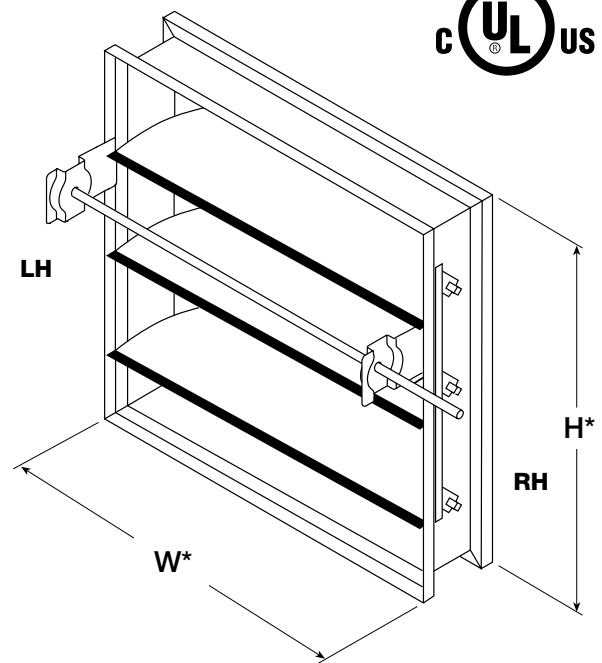
Optional Features:

- Galvanized steel sleeves.
- Stainless steel bearings
- OCI (Open closed indication switches)
- Electric or pneumatic actuators to accomplish smoke management and system functions.
- POC Retaining angles
- Smoke detector
- Momentary switch
- Transitions (R, C, O)
- Sealed transitions and sleeves

Model SMD-401M meets the requirements for smoke dampers established by:

- National Fire Protection Association**
NFPA Standards 92A, 92B, 101 & 105
- IBC International Building Codes**
- ICBO Uniform Building Codes**
- New York City** (MEA listing #260-91-M)
- CSFM California State Fire Marshal**
Leakage (Smoke) Damper Listing (#3230-0981:108)

“UL CLASSIFIED (see complete marking on product)”
“UL CLASSIFIED to Canadian safety standards (see complete marking on product)”
Standard 555S (Listing #R13317)



*W&H dimensions furnished approximately ¼ in. (6mm) undersize. (Add sleeve thickness for overall sleeved damper dimension)
Right hand drive is shown. Left hand drive is available upon request.

Installation instructions available at www.greenheck.com

SMD-401M

Pressure Drop Data

This pressure drop testing was conducted in accordance with AMCA Standard 500-D using the three configurations shown. All data has been corrected to represent standard air at a density of .075 lb/ft³(1.201 kg/m³).

Actual pressure drop found in any HVAC system is a combination of many factors. This pressure drop information along with an analysis of other system influences should be used to estimate actual pressure losses for a damper installed in a given HVAC system.

AMCA Test Figures

Figure 5.3 Illustrates a fully ducted damper. This configuration has the lowest pressure drop of the three test configurations because entrance and exit losses are minimized by straight duct runs upstream and downstream of the damper.

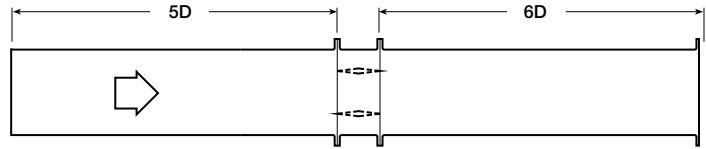


Figure 5.3

Figure 5.2 Illustrates a ducted damper exhausting air into an open area. This configuration has a lower pressure drop than Figure 5.5 because entrance losses are minimized by a straight duct run upstream of the damper.

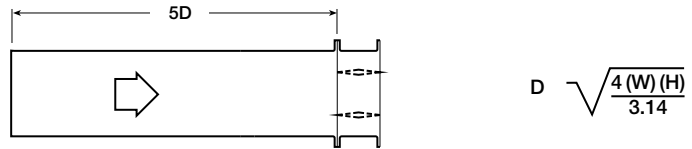


Figure 5.2

Figure 5.5 Illustrates a plenum mounted damper. This configuration has the highest pressure drop because of extremely high entrance and exit losses due to the sudden changes of area in the system.

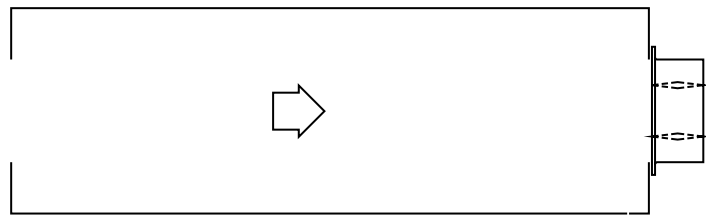
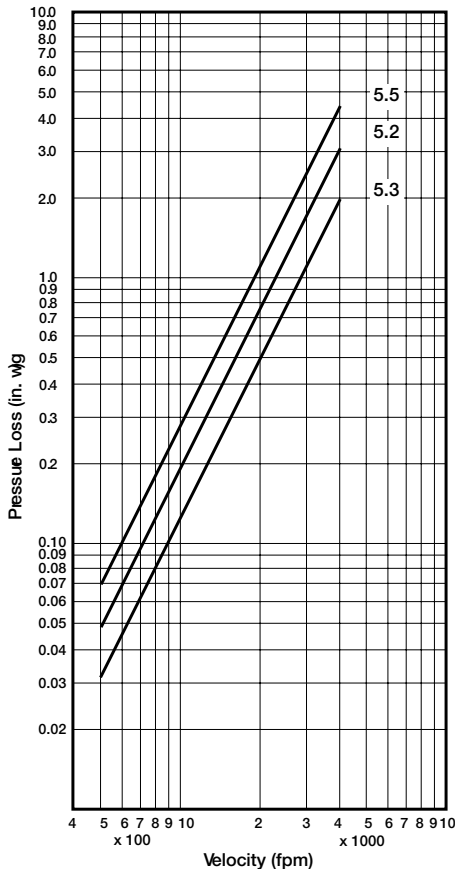
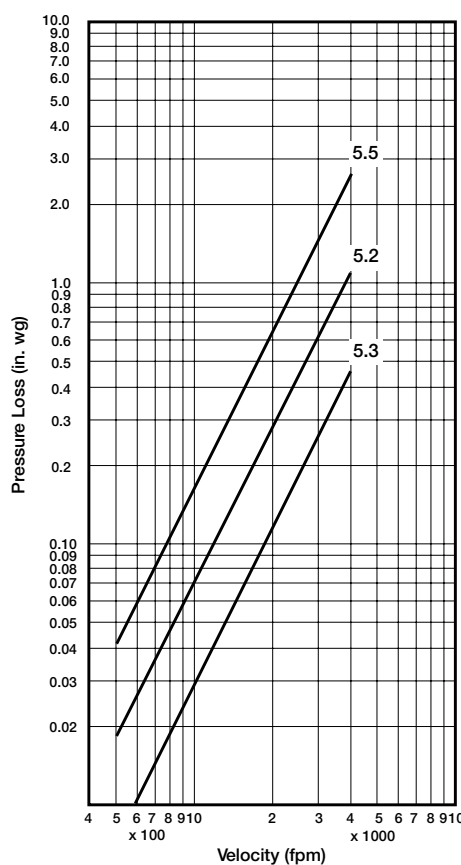


Figure 5.5

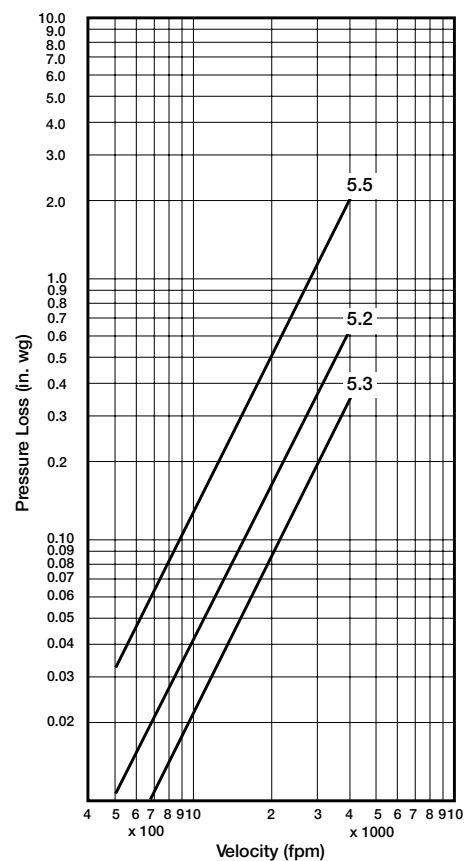
**Damper Size
12 in. x 12 in.
(305mm x 305mm)**



**Damper Size
24 in. x 24 in.
(610mm x 610mm)**



**Damper Size
36 in. x 36 in.
(914mm x 914mm)**

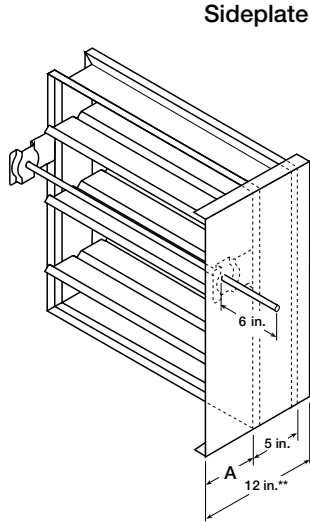


Application Data

Damper Sideplate and Sleeve Dimensional Data

The drawings below illustrate the factory standard sideplate and sleeve mountings for the SMD-401M. The standard "A" dimensions listed in the table provide adequate space for the mounting of actuators and controls.

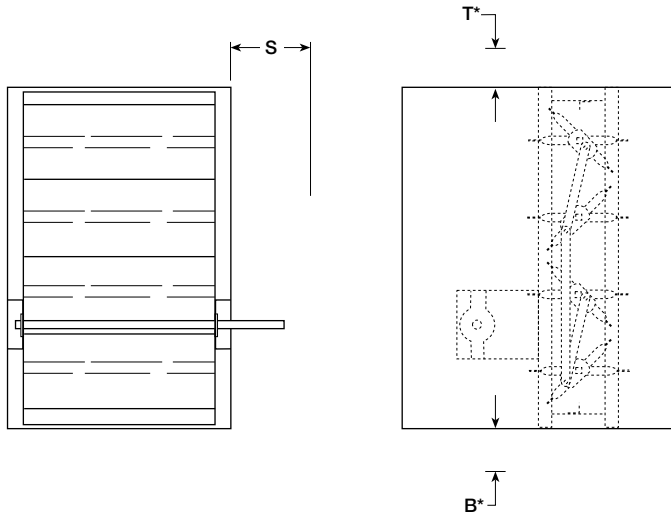
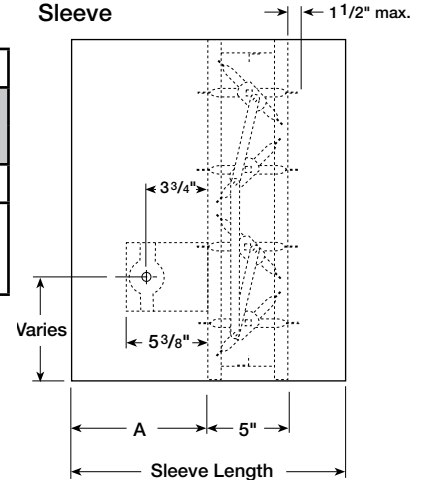
If space constraints are a problem the "A" dimension can be varied between 5 3/8 in. (136mm) and 12 in. (305mm).



in. (mm)	"A" Dimension		
	Sleeve		Sideplate
	Standard	Maximum	
All Dampers*	7 3/16 (183)	12 (305)	6 3/16 (157)
When height is 11 in. (279) or less with OCI	11 3/16 (284)	12 (305)	10 3/16 (259)

*With the exception of dampers 11 in. (279mm) high or less (12 in. (305mm) high or less if width is greater than 64 in. (1625mm)) with OCI option.

** On dampers 11 in. (279mm) high or less (12 in. (305mm) high or less if width is greater than 64 in. (1625mm)) with OCI option, sideplate is 16 in. (406mm)



Space Envelopes Required for Actuators and Accessories

Externally mounted actuators always require space outside of the damper sideplate or sleeve. The "S" dimension illustrates the clearance required for various available actuators.

On dampers less than 18 in. (457mm) high, actuators may also require clearances above and/or below the sideplate or sleeve. "B" and "T" dimensions are **worst** case clearance requirements for some dampers less than 18 in. (457mm) high. All damper sizes under 18 in. (457mm) high do not require these worst case clearances. If space availability above or below the damper sleeve is limited, each damper size should be individually evaluated.

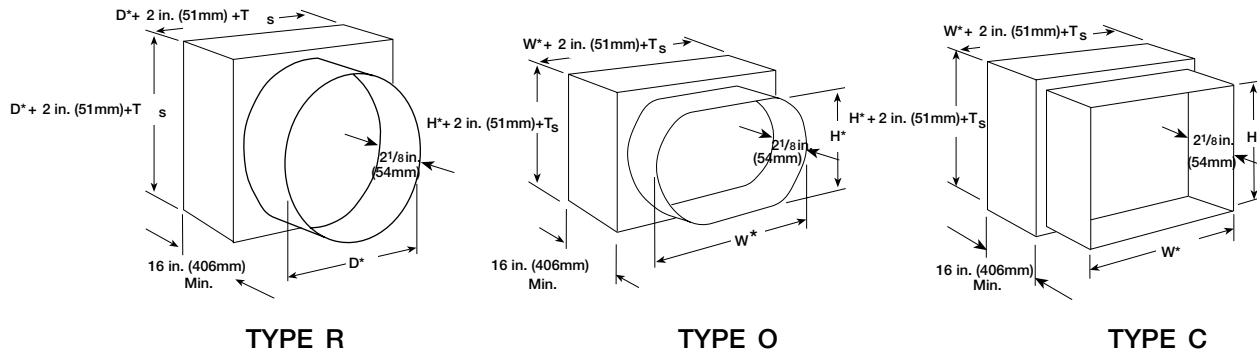
Actuator Type/Model	B*	T*	S
	With OCI	With OCI	
Pneumatic			
331-2976	2 1/2 in. (64mm)	5 1/4 in. (133mm)	6 in. (152m)

* For dampers 18 in.(457mm) or more in height these dimensions are 0 in.

¹ Note: This actuator requires field calibration for the zero and span setting.

Transitioned Damper Dimensions

When a fire/smoke damper is being used in conjunction with round or oval ductwork, the SMD-401M can be supplied in a factory sleeve with round or oval transitions on both ends of the sleeve. Dampers should be ordered to the duct dimensions. Drawings below show overall damper size.



* These dimensions are furnished approximately $\frac{1}{4}$ in. (6mm) undersize, except round and oval dimensions which are approximately $\frac{1}{8}$ in. (3mm) undersize.

$T_S = (2)(\text{Sleeve Thickness})$

Specifications

Smoke Dampers meeting the following specifications shall be furnished and installed where shown on plans and/or as described in schedules. Dampers shall meet the requirements of NFPA 90A, 92A, 92B, 101 and 105 and further shall be tested, rated and labeled in accordance with the latest edition of UL Standard 555S. Smoke dampers shall be of low leakage design qualified to UL 555S Leakage Class I.

Each damper/actuator combination shall have a UL555S elevated temperature rating of 250°F (121°C) minimum and shall be rated to operate at maximum design airflow at its installed location. Each damper shall be supplied with an appropriate actuator installed by the damper manufacturer at the time of damper fabrication. Damper actuator shall be (specifier select one of the following) electric type for 24 volt operation.

Damper blades shall be hollow extruded aluminum airfoil type with structural reinforcing tube running full length of each blade. Damper frame shall be galvanized steel formed into a structural hat channel shape with reinforced corners. Bearings shall be sintered bronze sleeve type rotating in extruded holes in the damper frame. Blade edge seals shall be silicone rubber designed to inflate and provide a tighter seal against leakage as pressure on either side of the damper increases. Jamb seals shall be stainless steel compression type. Damper must be rated for mounting vertically (with blades running horizontal) or horizontally and be UL 555S rated for leakage and airflow in either direction through the damper.

The basis of design is Greenheck Model SMD-401M.



P.O. Box 410 • Schofield, WI 54476-0410 • 715.359.6171 • greenheck.com

Copyright © 2007 Greenheck Fan Corporation
SMD-401M Rev. 5 April 2007

Free Manuals Download Website

<http://myh66.com>

<http://usermanuals.us>

<http://www.somanuals.com>

<http://www.4manuals.cc>

<http://www.manual-lib.com>

<http://www.404manual.com>

<http://www.luxmanual.com>

<http://aubethermostatmanual.com>

Golf course search by state

<http://golfingnear.com>

Email search by domain

<http://emailbydomain.com>

Auto manuals search

<http://auto.somanuals.com>

TV manuals search

<http://tv.somanuals.com>