

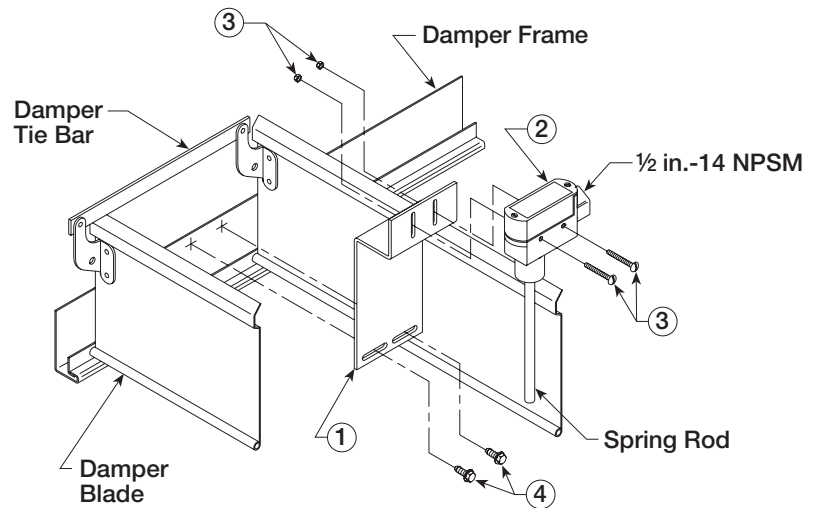
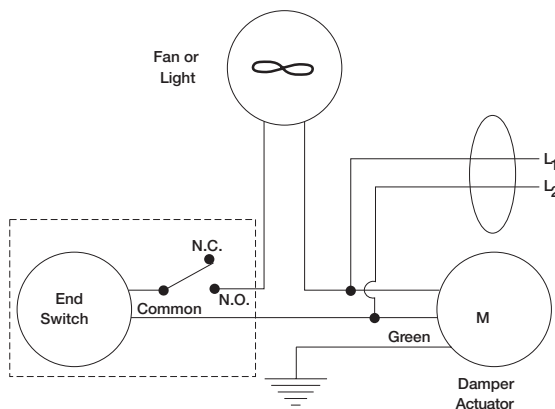
These instructions apply to the field installation of end switch kits on Greenheck model WD Backdraft Dampers. These end switch kits can be used in conjunction with MP-100, MP-200, and MP-300 Series actuators.

End switches are typically wired to a fan and/or to a light serving as an open/not open indicator. When the damper is powered open, one of the damper blades makes contact with the spring rod of the end switch which in turn makes a connection allowing power to flow to the fan and/or light. This set up would be used when it is desirable to ensure that the damper is fully open before the fan starts.

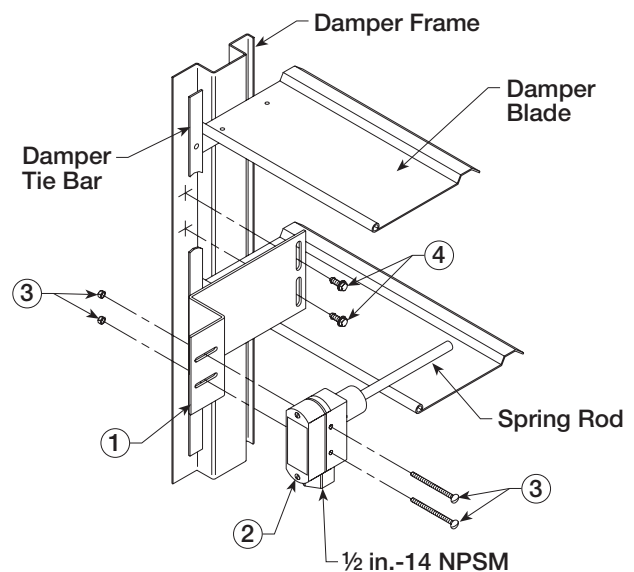
Instructions:

1. Position end switch such that the back side of damper blade trips the spring rod.
2. Mount end switch bracket to damper frame or ductwork using #10 x 1/2 in. self-drilling sheet metal screws

| Part # | Qty. | Description |
|--------|------|--|
| 1 | 1 | End switch mounting bracket |
| 2 | 1 | End switch UL/CSA Rating L67 15 Amps: 125, 250, or 480 VAC 0.25 Amps: 250 VDC 0.50 Amps: 125 VDC |
| 3 | 2 | #6-32NC x 1 1/2 in. machine screws with nuts (packaged in end switch housing) |
| 4 | 2 | #10 x 1/2 in. self-drilling sheet metal screws |


**End Switch Installation On
WD-100 Series Dampers**


Note: Some actuators are multi-tap, use correct connections per actuator wiring diagram.

Wiring Illustration

**End Switch Installation On
WD-200 & 300 Series Dampers**

Free Manuals Download Website

<http://myh66.com>

<http://usermanuals.us>

<http://www.somanuals.com>

<http://www.4manuals.cc>

<http://www.manual-lib.com>

<http://www.404manual.com>

<http://www.luxmanual.com>

<http://aubethermostatmanual.com>

Golf course search by state

<http://golfingnear.com>

Email search by domain

<http://emailbydomain.com>

Auto manuals search

<http://auto.somanuals.com>

TV manuals search

<http://tv.somanuals.com>