

**Sleeve Extensions**

**FD & DFD Series**  
**1 1/2 Hour Curtain Fire Dampers and**  
**FSD Series**  
**Combination Fire Smoke Dampers**

Refer to:  
'Installation Instructions for FD, DFD, SSFD, & KFD Models'  
(Part #452763)  
or  
'Installation Instructions for FSD-XXX, DFD-XXX, CFSD-XXX,  
SSFSD-XXX Series Fire & Combination Fire Smoke Dampers'  
(Part #461336)  
or  
'Installation Instructions for FD & DFD 150X Series Curtain  
Fire Dampers' (Part #453946) for additional details.



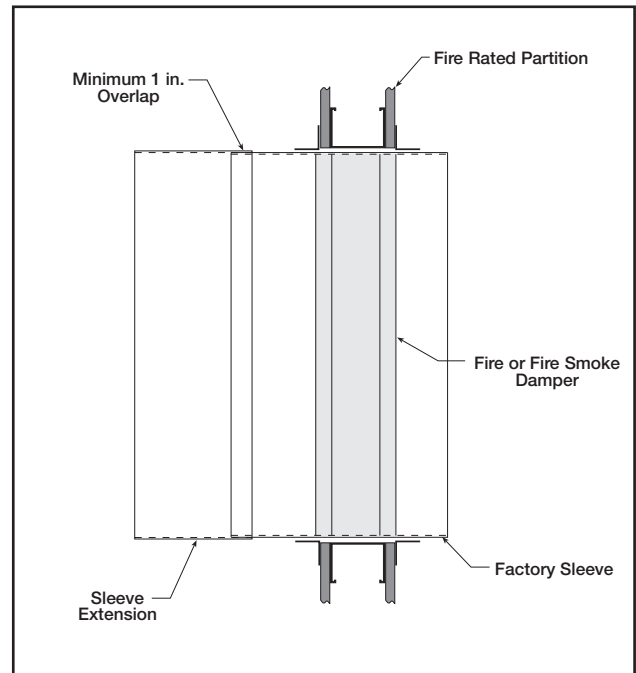
**Application**

Factory installed sleeves may need to be extended in the field. This supplemental installation instruction provides details for attachment of the sleeve extension. Consult Authority Having Jurisdiction (AHJ) for approval.

**Notes (refer to Figure 1)**

1. Sleeve extension must be same material and gage as factory sleeve.
2. The inside dimensions of the sleeve extension must be the same dimensions as the outside dimensions of the factory sleeve.
3. Sleeve extension must overlap the factory sleeve a minimum of 1 in. (25mm).
4. All four sides of the sleeve extension must be attached to the factory sleeve. Attachments must be spaced a maximum of 6 in. (152mm) on center and a maximum of 2 in. (51mm) from corners. A minimum of 2 attachments per side (8 per damper) are required. One of the methods of attachment shown below must be used.
  - tack or spot welds
  - #10 sheet metal screws
  - 1/4 in. (6mm) bolts and nuts
  - 3/16 in. (4.7mm) steel pop rivets
5. Products with a smoke rating (FSD models) require that the joint between the two sleeves be sealed with a continuous bead of General Electric 1200 silicone construction adhesive or Recognized silicone Type RTV732 by Dow Corning.
6. Sleeve extensions can be made to either end of the factory sleeve. However, the total sleeve length cannot extend more than 16 in. (406mm) on the actuator side and not more than 6 in. (152mm) on the non-actuator side.
7. The joint created by the factory sleeve and sleeve extension cannot be in the plane of the partition.

**“UL CLASSIFIED (see complete marking on product)”**  
**“UL CLASSIFIED to Canadian safety standards (see complete marking on product)”**  
Standard 555 (Listing #R13317)  
Standard 555S (Listing #R13447)



**Figure 1: Sleeve extension detail.**

## Free Manuals Download Website

<http://myh66.com>

<http://usermanuals.us>

<http://www.somanuals.com>

<http://www.4manuals.cc>

<http://www.manual-lib.com>

<http://www.404manual.com>

<http://www.luxmanual.com>

<http://aubethermostatmanual.com>

Golf course search by state

<http://golfingnear.com>

Email search by domain

<http://emailbydomain.com>

Auto manuals search

<http://auto.somanuals.com>

TV manuals search

<http://tv.somanuals.com>