

Installation Instruction Supplement

Refer to:
 'Installation Instructions for FD, DFD, SSFD Models Fire'
 (Part #452763)
 'Installation Instructions for FSD-XXX, DFD-XXX, CFSD-XXX, &
 SSFSD-XXX, Series Fire & Combination Fire Smoke Damper'
 (Part #461336)
 'Installation Instructions for FD & DFD 150X Series Curtain Fire
 Damper' (Part #453946)

"UL CLASSIFIED
(see complete marking on product)"
"UL CLASSIFIED to Canadian safety standards
(see complete marking on product)"
 Standards UL555 & UL555S
 Classifications filed at UL under Listing #R13317

Clearance Requirements

There is no minimum clearance requirement between the wall opening and the sleeve exterior. However, to facilitate installation, clearances between the wall opening and the damper sleeve are recommended. Although there is no maximum allowable clearance, a minimum overlap of 1/2 in. (13mm) between the wall and the flange/retaining angle must be maintained.

1. Single Flange Method

Damper/sleeve assemblies must be installed in wall openings using flanges and sheet metal screws as illustrated and describe below. This method is only applicable to 1 1/2 hour rated damper; the 3 hour damper and dampers larger than 36 in. x 36 in. (914mm x 914mm) will require a minimum of 1 1/2 in. x 1 1/2 in. (38mm x 38mm) legs.

- Flange on front (grille end) of sleeve must be a minimum of 16 ga. (1.6mm) steel and have a 5/8 in. minimum flange leg. Using #10 sheet metal screws, screw from inside of sleeve through the rear portion of the studs (as shown in **Figure 1**). Space screws a maximum of 6 in. (152mm) on center and a maximum of 2 in. (51mm) from the corners (minimum of two screws per side). No retaining angles are required on the side of wall opposite from the grille.

2. Retaining Angle Method

Damper/sleeve assemblies must be installed in wall and floor openings using retaining angles on at least one side of the wall or floor as described below:

- Retaining angles must be a minimum of 16 ga. (1.6mm) and have a minimum of 1 1/2 in. x 1 1/2 in. (38mm x 38mm) legs (see **Figure 2**).
- For grille installation on fire damper up to 36 in. x 36 in. (914mm x 914mm) maximum, angle legs may be reversed and one leg inserted into the wall/floor opening providing the required clearance is maintained between angle leg fastener and the wall/floor opening. Note: Screws used to attach grille are allowed to penetrate reversed angle leg.
- Retaining angles must be attached to the damper using one or more of the following methods of attachment (refer to label on outside of sleeve for 'No Screw' area):
 - Tack or spot welds
 - #10 (3/4 in. [19mm] max.) sheet metal screws
 - 1/4 in. (6mm) bolts and nuts
 - 3/16 in. (4mm) steel pop rivets

A minimum of two connections per side, top and bottom, 12 in. (305mm) O.C. maximum. The angles must be attached to all four sides of the sleeve. Ensure that attachment device does not interfere with the operation of the damper and the free movement of the damper blades. The angles need not be attached to each other at the corners.

- Retaining angles must be attached to the partition using one of the methods below (see single side retaining angle-vertical mount supplement part #462099):
 - Drywall screws of a length such that the screw engages the steel stud/track by 1/2 in. (13mm) (steel framing).
 - Drywall screws of a length such that the screw engages the wood stud by 1 3/4 in. (44mm) (wood framing).
 - Steel anchors or self tapping concrete screws penetrating masonry or block 1 1/4 in. (31mm).

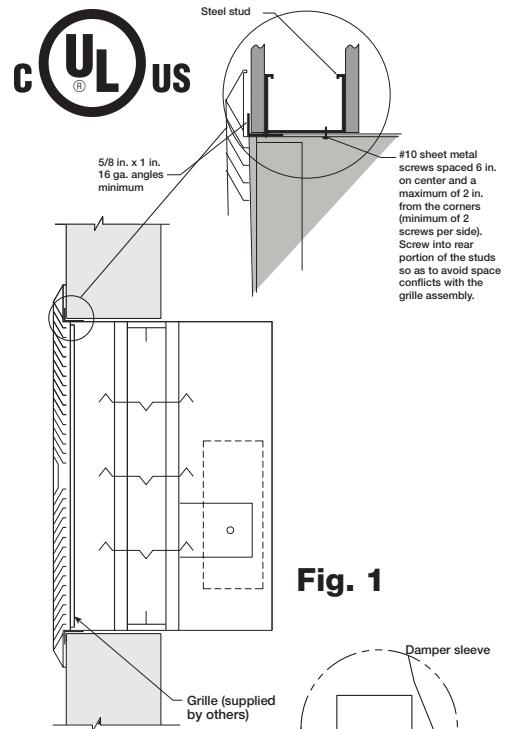


Fig. 1

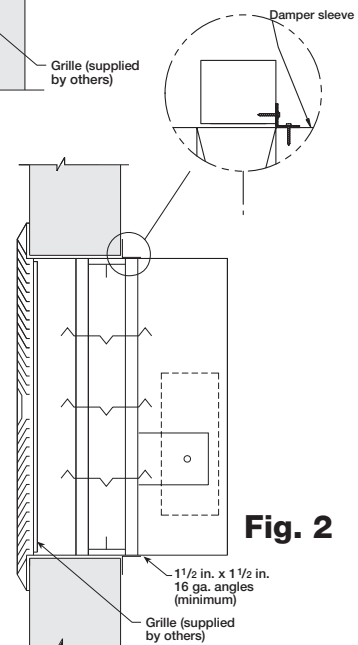


Fig. 2

Free Manuals Download Website

<http://myh66.com>

<http://usermanuals.us>

<http://www.somanuals.com>

<http://www.4manuals.cc>

<http://www.manual-lib.com>

<http://www.404manual.com>

<http://www.luxmanual.com>

<http://aubethermostatmanual.com>

Golf course search by state

<http://golfingnear.com>

Email search by domain

<http://emailbydomain.com>

Auto manuals search

<http://auto.somanuals.com>

TV manuals search

<http://tv.somanuals.com>