

## APPLICATION

Model SSWDR-53 is a round backdraft damper which may be mounted horizontally for airflow up or down, or mounted vertically for horizontal airflow.

## RATINGS

**Pressure:** 3 in. wg (.7 kPa)  
**Velocity:** 2000 fpm (10.2 m/s)  
**Temperature:** 180°F (82°C)

## STANDARD CONSTRUCTION

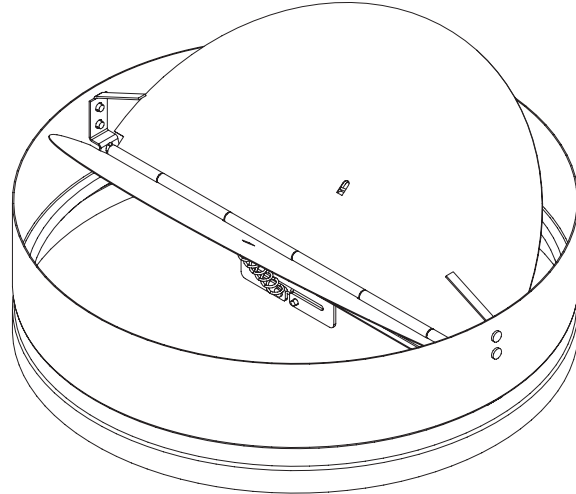
**Frame:** 20 ga. (1mm) 304 stainless steel  
**Blades:** 24 ga. (.7mm) 304 stainless steel  
**Blade Seal:** closed cell neoprene/EPDM/SBR blend

## SIZE LIMITATIONS (available in 1 in. [25mm] increments)

**Minimum Size:** 4 in. (102mm)  
**Maximum Size:** 24 in. (610mm)

## OPTIONAL FEATURES

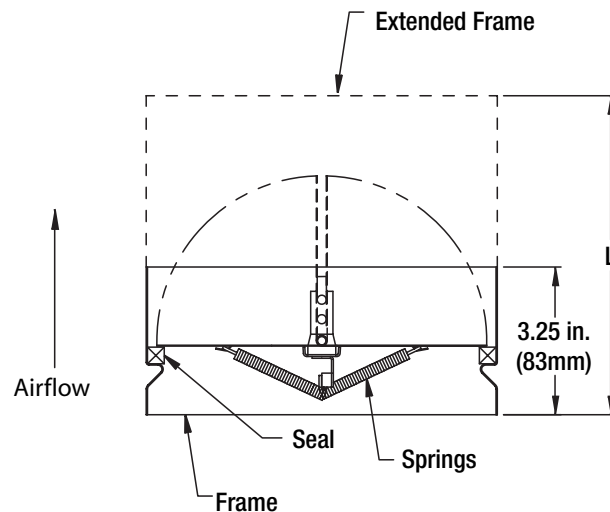
Extended Frame



Diameter is approximately 1/8 in. (3mm) undersize.

Frame Dimensions	
Damper Model	Length
SSWDR-53 Standard Frame	3.25 in. (83mm)

SSWDR-53 Extended Frame	
Damper Diameter	Length "L"
5 in. - 10.999 in. (127mm - 279mm)	7.25 in. (184mm)
11 in. - 16.999 in. (279mm - 432mm)	10.25 in. (260mm)
17 in. - 24 in. (432mm - 610mm)	13.25 in. (336mm)



## Free Manuals Download Website

<http://myh66.com>

<http://usermanuals.us>

<http://www.somanuals.com>

<http://www.4manuals.cc>

<http://www.manual-lib.com>

<http://www.404manual.com>

<http://www.luxmanual.com>

<http://aubethermostatmanual.com>

Golf course search by state

<http://golfingnear.com>

Email search by domain

<http://emailbydomain.com>

Auto manuals search

<http://auto.somanuals.com>

TV manuals search

<http://tv.somanuals.com>