

Auto Series Brewers

Automatic Thermal Carafe Brewers



Model AT-TC
(container sold separately)



GRINDMASTER™
CORPORATION



GRINDMASTER™

CORPORATION

Model AT-TC/AT-TCE

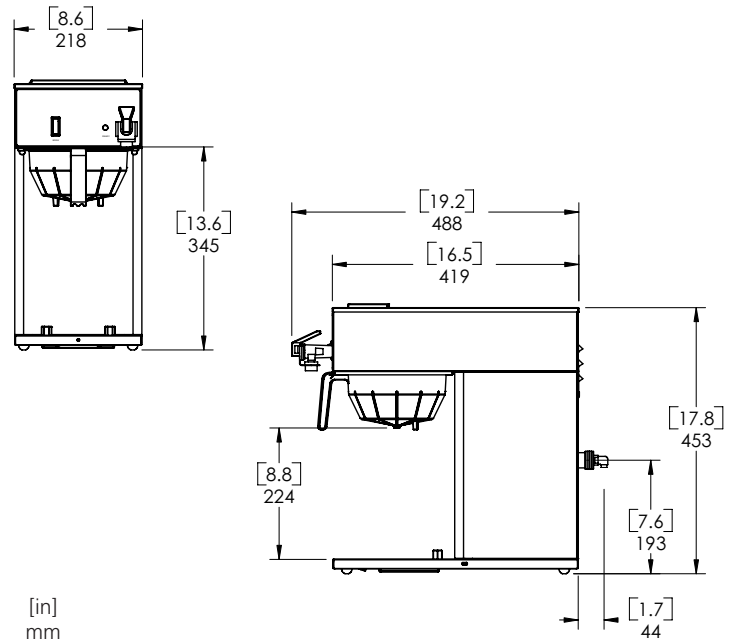
Auto Series Brewers

Features

- Water tank electrical quick disconnect
- Water tank drain
- Adjustable brew rails
- Durable stainless steel construction
- Pourover feature included
- Momentary contact brew start switch
- Plastic brew basket
- Hot water faucet
- One year parts and labor warranty

AT-TC Features

- Brews directly into 64 oz. (1.9L) Vacuum Insulated Container (container sold separately)
- Space-saving front to back design - 8-1/2" (22 cm) wide



Specifications	Model AT-TC / AT-TCE
Volts/Watts/Amps	AT-TC: 120V / 1780W / 14.8A AT-TCE: 230V / 2300W / 10A
Brew Capacity	75 oz (2.2 L)
# Warmers	0
Dimensions (H x W x D)	17-3/4" x 8-1/2" x 16-1/2" (45 cm x 22 cm x 42 cm)
Machine Weight	22 lbs. (10 kg)
Ship Dimensions (H x W x D)	23-1/4" x 12-1/2" x 22-1/2" (59 cm x 32 cm x 57 cm)
Ship Weight	28 lbs. (12.7 kg)
Listings (pending)	UL, NSF, (CE for E models only)

All specifications are subject to improvement or change without notice.

Ask about Grindmaster Corporation's line of Coffee Grinders, Coffee Brewers, Coffee Urns, Coffee Shuttles, Coffee Grindbrewers, Espresso Grinders, Espresso Brewers, Cold Beverage Dispensers, Granita Machines and Beverage Freezers.



pending



pending



GRINDMASTER™

CORPORATION



pending

Grindmaster® Coffee Grinders and Brewers • PrecisionBrew™ Brewing Systems • Espresso® Espresso Machines
Crathco® Hot Beverage Dispensers • Crathco® Cold and Frozen Beverage Dispensers • AMW Coffee and Tea Systems
Tel (502) 425-4776 • Fax (502) 425-4664 • 1-800-695-4500 (USA & Canada only)

P.O. Box 35020 • Louisville, KY 40232 • USA

www.grindmaster.com • email: info@grindmaster.com

Free Manuals Download Website

<http://myh66.com>

<http://usermanuals.us>

<http://www.somanuals.com>

<http://www.4manuals.cc>

<http://www.manual-lib.com>

<http://www.404manual.com>

<http://www.luxmanual.com>

<http://aubethermostatmanual.com>

Golf course search by state

<http://golfingnear.com>

Email search by domain

<http://emailbydomain.com>

Auto manuals search

<http://auto.somanuals.com>

TV manuals search

<http://tv.somanuals.com>