

# *Grizzly* *Industrial, Inc.*®

## MODEL H8208 50-PIECE AIR TOOL SET INSTRUCTION MANUAL



COPYRIGHT © AUGUST, 2007 BY GRIZZLY INDUSTRIAL, INC.  
WARNING: NO PORTION OF THIS MANUAL MAY BE REPRODUCED IN ANY SHAPE  
OR FORM WITHOUT THE WRITTEN APPROVAL OF GRIZZLY INDUSTRIAL, INC.  
#CR9810 PRINTED IN CHINA



## **WARNING!**

**This manual provides critical safety instructions on the proper setup, operation, maintenance and service of this machine/equipment.**

**Failure to read, understand and follow the instructions given in this manual may result in serious personal injury, including amputation, electrocution or death.**

**The owner of this machine/equipment is solely responsible for its safe use. This responsibility includes but is not limited to proper installation in a safe environment, personnel training and usage authorization, proper inspection and maintenance, manual availability and comprehension, application of safety devices, blade/cutter integrity, and the usage of personal protective equipment.**

**The manufacturer will not be held liable for injury or property damage from negligence, improper training, machine modifications or misuse.**



## **WARNING!**

**Some dust created by power sanding, sawing, grinding, drilling, and other construction activities contains chemicals known to the State of California to cause cancer, birth defects or other reproductive harm. Some examples of these chemicals are:**

- **Lead from lead-based paints.**
- **Crystalline silica from bricks, cement and other masonry products.**
- **Arsenic and chromium from chemically-treated lumber.**

**Your risk from these exposures varies, depending on how often you do this type of work. To reduce your exposure to these chemicals: Work in a well ventilated area, and work with approved safety equipment, such as those dust masks that are specially designed to filter out microscopic particles.**

# SAFETY

## **WARNING**

### **For Your Own Safety Read Instruction Manual Before Operating This Equipment**

The purpose of safety symbols is to attract your attention to possible hazardous conditions. This manual uses a series of symbols and signal words which are intended to convey the level of importance of the safety messages. The progression of symbols is described below. Remember that safety messages by themselves do not eliminate danger and are not a substitute for proper accident prevention measures.



Indicates an imminently hazardous situation which, if not avoided, **WILL** result in death or serious injury.



Indicates a potentially hazardous situation which, if not avoided, **COULD** result in death or serious injury.



Indicates a potentially hazardous situation which, if not avoided, **MAY** result in minor or moderate injury. It may also be used to alert against unsafe practices.

**NOTICE**

This symbol is used to alert the user to useful information about proper operation of the equipment.

## **WARNING**

### **Safety Instructions For Pneumatic Tools**

- 1. READ THIS MANUAL.** This tool may cause personal injury if used incorrectly. This manual contains proper safety and operating instructions that must be followed to reduce this risk.
- 2. WEAR EYE PROTECTION.** This tool may throw small fragments during operation, which may cause serious eye injury. Always wear ANSI approved safety glasses or face shield to reduce your risk from this hazard.
- 3. WEAR A RESPIRATOR.** This tool may produce fine dust during operation, which can cause respiratory injury if inhaled. Always wear a respirator NIOSH approved for the type of material being processed.
- 4. WEAR HEARING PROTECTION.** Operating this tool for prolonged time periods may damage your hearing. Your risk depends on length and frequency of use. To reduce your risk of this hazard, wear hearing protection.
- 5. MAINTAIN SAFETY GUARDS.** Your tool may be equipped with safety guards or other structural components designed to reduce the risk of injury during operation. Never modify or operate this tool with any guards or components removed or damaged.
- 6. KEEP CHILDREN AWAY.** Prevent children from injury by keeping them away from this tool. Disconnect and lock the tool away when not in use.

7. **AVOID ENTANGLEMENTS.** Do not wear loose clothing, gloves, neckties, rings, bracelets, or other jewelry, which may get caught in moving parts, when operating this tool. Wear a protective hair covering to contain long hair.
8. **USE CORRECT AIR PRESSURE.** Exceeding the maximum PSI rating of this tool may cause unpredictable operation or bursting.
9. **DISCONNECT AIR PRESSURE** before servicing, changing accessories, or moving to another location. Never leave this tool unattended when connected to air.
10. **SECURE TOOLING.** Always verify tooling is secure before operation.
11. **SHARP SURFACES.** DO NOT place hands near the tooling surfaces when in operation.
12. **REMOVE ADJUSTING KEYS AND WRENCHES AFTER USE.** These tools become dangerous projectiles if left on the tool when it is started.
13. **AVOID FLAMMABLES.** Do not use this tool around any flammables that may be ignited by sparks.
14. **SECURE WORK.** Use clamps or a vise to hold work when practical. It is safer than using your hand and frees both hands to operate tool.
15. **MAINTAIN TOOLS WITH CARE.** Keep tools lubricated and clean for best and safest performance. Follow instructions for lubricating and changing accessories.
16. **DO NOT FORCE TOOL.** It will do the job better and safer at the rate for which it was designed.
17. **CHECK FOR DAMAGED PARTS BEFORE USING.** Check for binding and alignment of parts, broken parts, part mounting, loose bolts, and any other conditions that may affect operation. Repair or replace damaged parts before operating.
18. **USE GOOD LIGHTING.** Keep work area well lighted. Dark work areas increase risk of accidental injury.
19. **AVOID UNINTENTIONAL OPERATION.** Always disconnect air when not in use, and do not carry tool with hand on trigger.
20. **USE THE RECOMMENDED ACCESSORIES.** Consult owner's manual for recommended accessories. Using improper accessories may increase the risk of injury.
21. **NEVER ALLOW UNTRAINED USERS TO USE THIS TOOL WHILE UNSUPERVISED.**
22. **IF YOU ARE UNSURE OF THE INTENDED OPERATION, STOP USING TOOL.** Seek formal training or research books or magazines that specialize in pneumatic tools.
23. **BE AWARE OF HOSE LOCATION.** Hoses can easily become a tripping hazard when laid across the floor in a disorganized fashion.
24. **DO NOT USE UNDER THE INFLUENCE OF DRUGS OR ALCOHOL, OR WHEN TIRED.**

## **CAUTION**

No list of safety guidelines is complete, because every work environment is different. Always consider safety first and use common sense. Failure to use this tool with caution and respect could result in serious personal injury.

# INTRODUCTION

---

---

## Foreword

---

---

The specifications, details, and photographs in this manual represent the Model H8208 as supplied when the manual was prepared. However, owing to Grizzly's policy of continuous improvement, changes may be made at any time with no obligation on the part of Grizzly.

If you have any comments regarding this manual, please write to us at the following address:

Grizzly Industrial, Inc.  
C/O Technical Documentation  
P.O. Box 2069  
Bellingham, WA 98227-2069  
E-Mail: manuals@grizzly.com

Most importantly, we stand behind our tools. If you have any service questions or parts requests, please call or write us at the location listed below.

Grizzly Industrial, Inc.  
1203 Lycoming Mall Circle  
Muncy, PA 17756  
Phone: (570) 546-9663  
Fax: (800) 438-5901  
E-Mail: techsupport@grizzly.com  
Web Site: <http://www.grizzly.com>

## Specifications

---

---

### Air Ratchet

Drive Size.....	3/8"
No Load Speed.....	160 RPM
Max. Torque.....	50 ft/lb (68N.m)
Air Inlet.....	1/4"
Air Hose ID.....	3/8"
Operating Air Pressure.....	90 PSI
Min. Required Air Flow.....	4 CFM
Max. Sound Level.....	103 dB
Weight.....	2.4 lbs

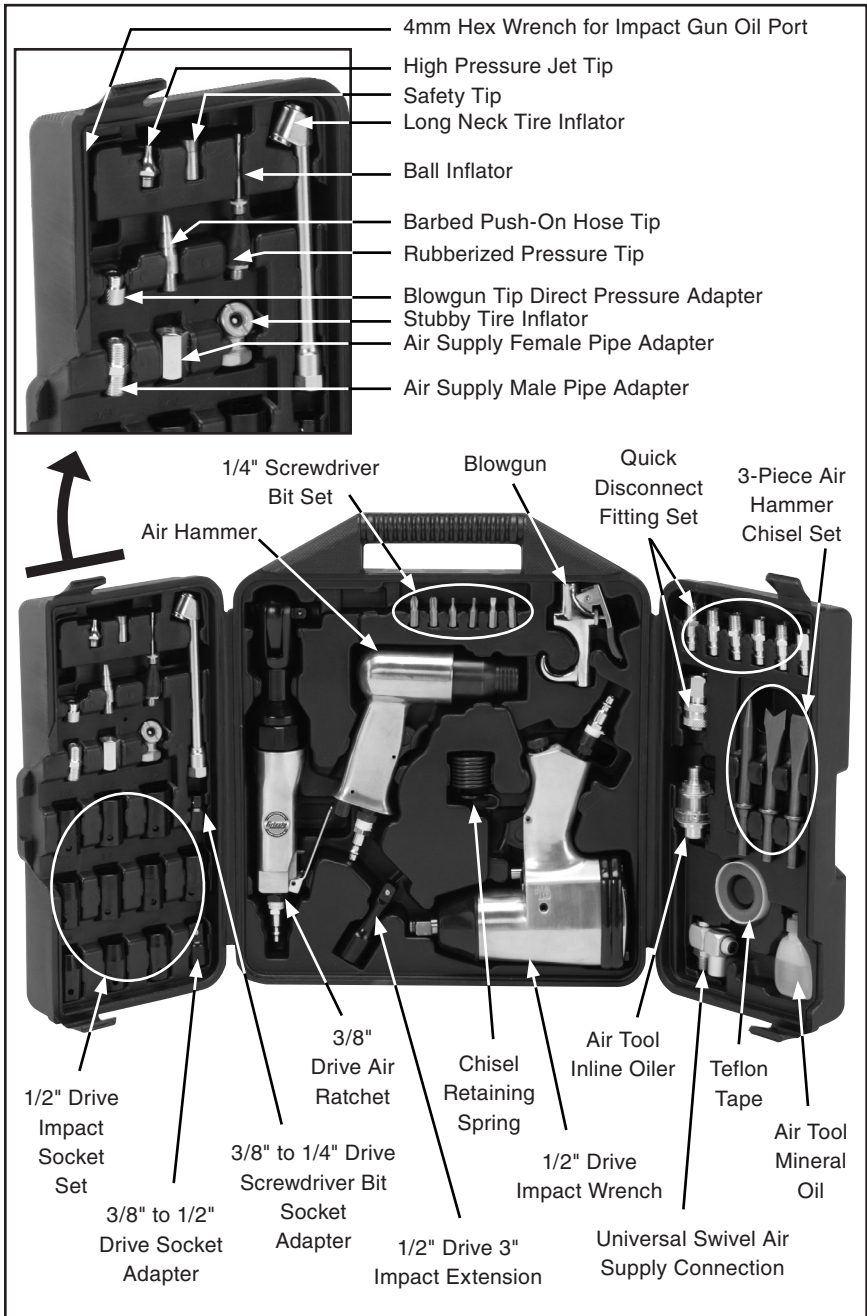
### Impact Wrench

Drive Size.....	1/2"
No Load Speed.....	7000 RPM
Max. Torque.....	230 ft/lb (310N.m)
Air Inlet.....	1/4"
Air Hose ID.....	3/8"
Operating Air Pressure.....	90 PSI
Min. Required Air Flow.....	8 CFM
Max. Sound Level.....	104 dB
Weight.....	4.8 lbs

### Air Hammer

Chisel Shank OD.....	10mm
Bore Diameter.....	3/4"
Blows Per Min.....	4500
Air Inlet.....	1/4"
Air Hose ID.....	3/8"
Operating Air Pressure.....	90 PSI
Min. Required Air Flow.....	3 CFM
Max. Sound Level.....	108 dB
Weight.....	2.9 lbs

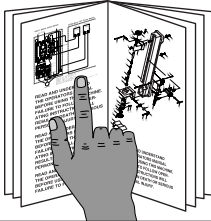
# Inventory



**Figure 1.** Model H8208 Inventory.

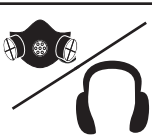
# OPERATIONS

## ⚠️ WARNING

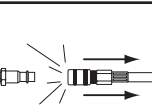


Read the manual before operation. Become familiar with this tool, its safety instructions, and its operation before beginning any work. Serious personal injury may result if safety or operational information is not understood or followed.

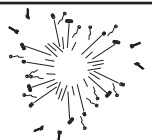
## ⚠️ WARNING



**LUNG/EAR INJURY HAZARD!**  
Wear protective equipment when using this tool.



**ACCIDENTAL START HAZARD!**  
Disconnect before service or tool changes.



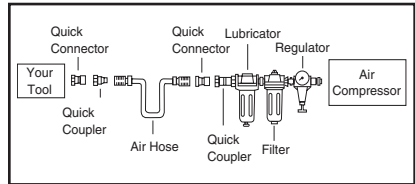
**AIR PRESSURE HAZARD!**  
Never exceed max PSI rating for tool.



**EYE INJURY HAZARD!**  
Wear protective equipment when using these tools.

## Air Supply

These air tools require 90 PSI to operate correctly. To improve air tool lifespan, use a filter/lubricator/regulator setup shown in **Figure 2**. Otherwise, lubricate daily with a couple drops of pneumatic tool oil directly into the tool's air inlet fitting



**Figure 2.** Installed filter lubricator regulator.

## Air Ratchet

Your new  $\frac{3}{8}$ " drive air ratchet (**Figure 1**) is designed with a 9" long handle to provide plenty of leverage to hold the 50 ft/lbs. of torque that this tool develops.

Included in this kit is a  $\frac{1}{2}$ " drive impact socket set with common sizes, and a  $\frac{3}{8}$ " to  $\frac{1}{2}$ " drive adapter so you can use the  $\frac{1}{2}$ " drive impact sockets with your ratchet. Also included is a  $\frac{3}{8}$ " to  $\frac{1}{4}$ " drive adapter so you can use screwdriver bits included with this set.

For those tight places where the air hose may interfere with your project environment, install the supplied universal swivel air supply connection.

At the drive end of the ratchet you can change rotation by turning the thumb dial. The speed of the ratchet is adjusted by handle paddle position, but the torque is not changed.

## Impact Wrench

Your new single hammer  $\frac{1}{2}$ " drive impact wrench (**Figure 1**) will generate up to 230 ft/lbs. of torque.

Only use thick-walled impact sockets with this air tool. The common thin-walled chrome sockets may explode if used as impact sockets causing serious injury.

At the end of the handle you can adjust the torque setting by pushing the knob in and turning the knob to 1, 2, 3, or 4; 1 is the lowest torque setting.

To change the impact rotation, push the slide button toward the front of the gun for clockwise rotation and to the rear for counterclockwise rotation.

## Blowgun

The blowgun has a variety of tips and adapters (**Figure 1**). Always disconnect the blowgun from air before changing tips. The blowgun safety tip has two holes in the side to help prevent high pressure air injection injuries if the blowgun is accidentally pushed against the skin. The air is intended to exhaust out of the two holes in the sides of the adapter and not into your skin, helping to prevent severe air embolism injury.

The other tips and adapters are intended for high pressure use where side leakage is not wanted. The jet tip directs a high velocity jet of air to a pinpoint location, the brass-barbed push-on hose tip connects your blowgun to rubber hoses of various size. To check for leaks where the port is just a drilled hole, use the direct pressure adapter with the rubberized tip that seals the port of the system being pressurized. To fill a soccer ball for example, you would also use this adapter but with the ball inflator tip. Never over-inflate any ball, or it can explode causing severe injury.

## Air Hammer

Your new air hammer (**Figure 1**) is a great tool for chipping and chiseling welds, stone, wood, tiles, grout and many other materials. But remember, never change chisels with the air hammer still connected to the air supply.

Before your first use, position the chisel retaining spring onto the end of the air hammer by threading it on in a clockwise rotation until the retainer is completely seated and it stops.

Three of the most common chisels are included in this set. To install and remove a chisel, push the chisel retaining spring tang (**Figure 3**), so the retainer spring "U" clears the chisel retaining shoulder and insert or remove a chisel of your choice.

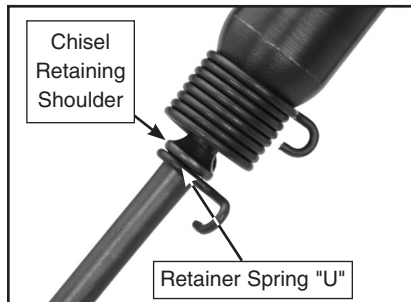
**Note:** *If you have difficulty bending the retainer spring to fit the bit, loosen or remove the spring and insert the bit into the spring prior to threading it on the hammer.*



**Figure 3.** Chisel installation.



Make sure that when the chisel is installed, the retainer spring "U" is holding the chisel as shown in **(Figure 4)**.



**Figure 4.** Safe chisel position.

To control the chisel hammer rate and the hammering force, turn the knurled thumb knob on the end of the handle. Rotating clockwise reduces the hammer rate and the hammering force.

## Tire Inflators

This set contains two tire inflators (**Figure 1**). Before filling tires, always know what the maximum tire inflation pressure is. NEVER overfill any tire, or it can explode causing severe injury.

The stubby tire inflator (**Figure 1**) is used for general tire inflation where the valve stem is easily accessible. The long neck version is for filling dual truck tires or other hard to reach valve stems.

## Daily Maintenance

Your air tool **MUST** have 2-6 drops of oil directly dropped into the air fitting before each use. In addition, we recommend using an in-line filter, lubricator, and regulator, as shown in **Figure 2**. If an inline lubricator is not used, add 2-3 drops of oil into the tool air inlet every 2 hours of continued use.

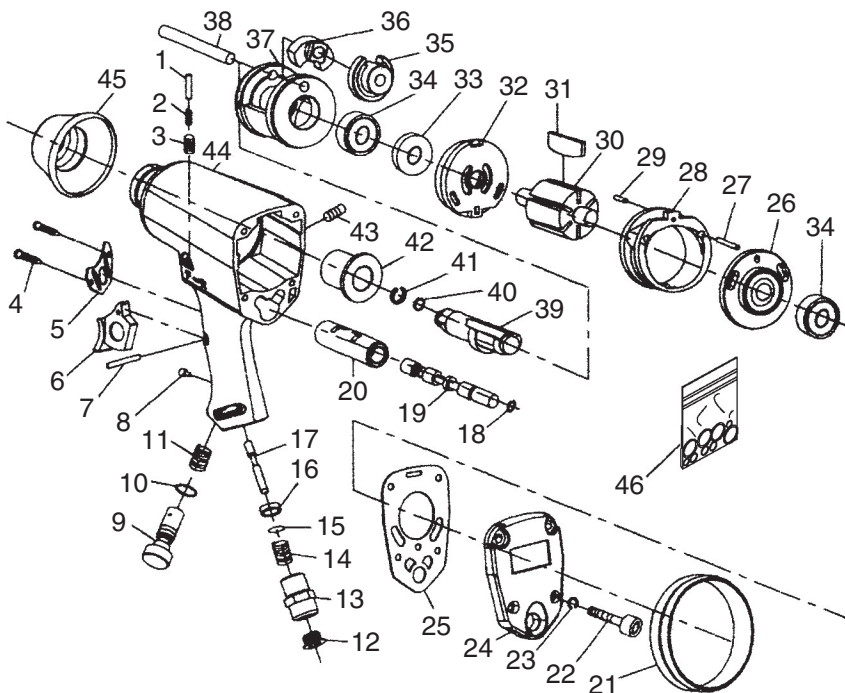
**These procedures should be done after each use:**

- Before putting the air tool away, put 2-6 drops of oil into the air supply fitting.

**Note:** For the impact wrench, you must also remove the 4mm plug, put 2-6 drops of oil into the hole, and reinstall the plug.

- Wipe the tool exterior and sockets, bits, or chisels with a slightly oiled cloth. Your goal is to leave a light film of oil on the tools to prevent rust.

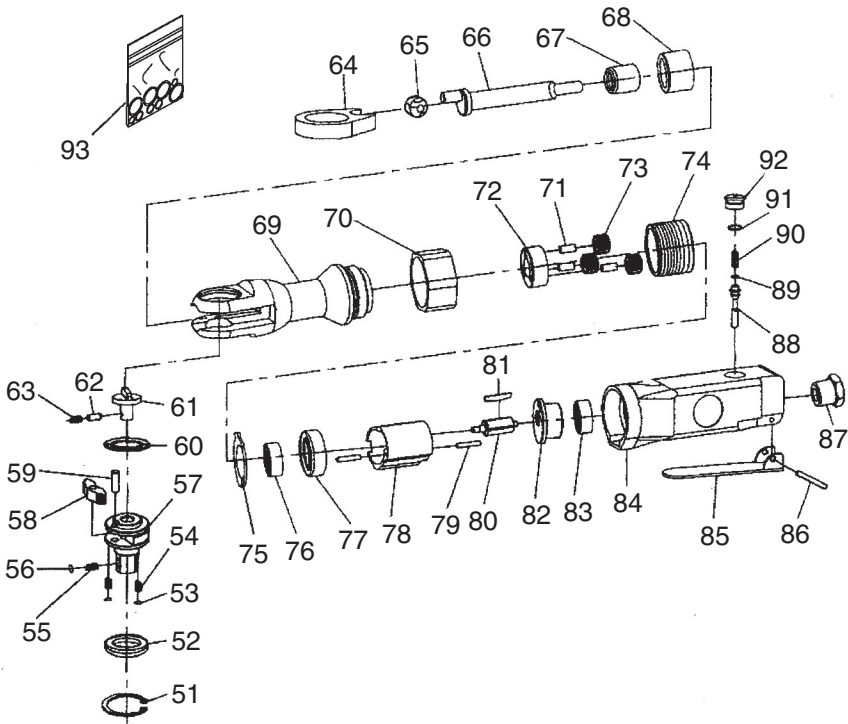
# AIR IMPACT WRENCH



REF PART #	DESCRIPTION
1	PH8208001 DETENT PIN
2	PH8208002 COMPRESSION SPRING
3	PSS26M SET SCREW M5-.8 X 6
4	PS79M PHL P HD SCR M3-.5 X 8
5	PH8208005 COVER
6	PH8208006 TRIGGER
7	PRP98M ROLL PIN 3 X 16
8	PH8208008 DOG-POINT SET SCREW
9	PH8208009 REGULATOR
10	PORS009 O-RING 8.5 X 1.5
11	PH8208011 COMPRESSION SPRING
12	PH8208012 DUST COVER
13	PH8208013 PLUG
14	PH8208014 COMPRESSION SPRING
15	PH8208015 STEEL BALL
16	PH8208016 SHOULDER WASHER
17	PH8208017 VALVE
18	PORP007 O-RING 6.8 X 1.9 P7
19	PH8208019 VALVE
20	PH8208020 SLEEVE
21	PH8208021 RUBBER CUSHION
22	PSB15M CAP SCREW M5-.8 X 20
23	PLW01M LOCK WASHER 5MM

REF PART #	DESCRIPTION
24	PH8208024 COVER
25	PH8208025 GASKET
26	PH8208026 END PLATE
27	PH8208027 SPECIAL CAP SCREW
28	PH8208028 CYLINDER
29	PH8208029 DOWEL PIN
30	PH8208030 ROTOR
31	PH8208031 IMPELLER BLADE
32	PH8208032 END PLATE
33	PH8208033 OIL SEAL
34	P6001 BALL BEARING 6001ZZ
35	PH8208035 DRIVE CAM
36	PH8208036 HAMMER DOG
37	PH8208037 HAMMER CAGE
38	PH8208038 HAMMER PIN
39	PH8208039 ANVIL
40	PORP008 O-RING 7.8 X 1.9 P8
41	PH8208041 ANVIL COLLAR
42	PH8208042 ANVIL BUSHING
43	PSS20M SET SCREW M8-1.25 X 8
44	PH8208044 HOUSING
45	PH8208045 RUBBER BUMPER CONE
46	PH8208046 COMPLETE O-RING KIT

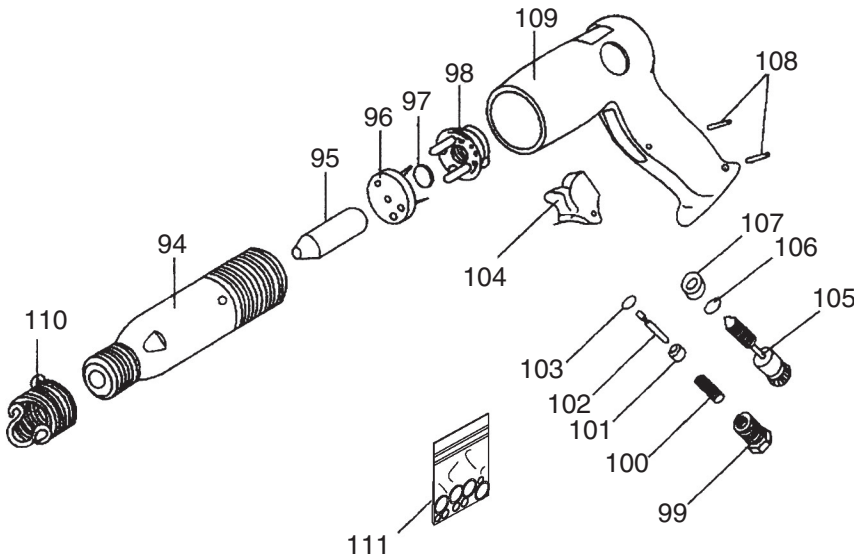
# AIR RATCHET



REF PART #	DESCRIPTION
51	PR35M INT RETAINING RING 30MM
52	PH8208052 COLLAR RETAINER
53	PH8208053 STEEL BALL
54	PH8208054 COMPRESSION SPRING
55	PH8208055 COMPRESSION SPRING
56	PH8208056 STEEL BALL
57	PH8208057 RATCHET ANVIL
58	PH8208058 RATCHET PAWL
59	PH8208059 DOWEL PIN
60	PH8208060 WAVY WASHER
61	PH8208061 REVERSE DIAL
62	PH8208062 LOCK PIN
63	PH8208063 COMPRESSION SPRING
64	PH8208064 RATCHET YOLK
65	PH8208065 DRIVE BUSHING
66	PH8208066 CRANK SHAFT
67	PH8208067 BEARING SHELL
68	PH8208068 NEEDLE BEARING
69	PH8208069 H-HANDLE
70	PH8208070 CLAMP NUT
71	PH8208071 IDLER GEAR PIN
72	PH8208072 IDLER GEAR SEAT

REF PART #	DESCRIPTION
73	PH8208073 IDLER GEAR
74	PH8208074 HOUSING
75	PH8208075 SEAL WASHER
76	P626ZZ BEARING 626Z
77	PH8208077 FRONT PLATE
78	PH8208078 CYLINDER
79	PH8208079 DOWEL PIN
80	PH8208080 ROTOR
81	PH8208081 ROTOR BLADE
82	PH8208082 REAR PLATE
83	P608 REAR BEARING 608Z
84	PH8208084 HOUSING
85	PH8208085 TRIGGER
86	PRP17M ROLL PIN 3.5 X 24
87	PH8208087 PLUG
88	PH8208088 VALVE STEM
89	PORP004 O-RING 3.8 X 1.9
90	PH8208090 COMPRESSION SPRING
91	PORP010 O-RING 9.8 X 1.9
92	PH8208092 SPECIAL SCREW CAP
93	PH8208093 COMPLETE O-RING KIT

# AIR HAMMER



REF	PART #	DESCRIPTION
94	PH8208094	CYLINDER
95	PH8208095	PISTON
96	PH8208096	LOWER VALVE CASE
97	PH8208097	VALVE DISC
98	PH8208098	UPPER VALVE CASE
99	PH8208099	HOSE ADAPTER
100	PH8208100	COMPRESSION SPRING
101	PH8208101	PIN SEAT
102	PH8208102	NEEDLE PIN

REF	PART #	DESCRIPTION
103	PH8208103	O-RING
104	PH8208104	TRIGGER
105	PH8208105	REGULATOR
106	PORP009	O-RING 8.8 X 1.9 P9
107	PH8208107	BALL SEAT
108	PRP02M	ROLL PIN 3 X 16
109	PH8208109	HANDLE
110	PH8208110	CHISEL RETAINER
111	PH8208111	COMPLETE O-RING KIT

# Accessories



REF PART #	DESCRIPTION
113	PAW04M HEX WRENCH 4MM
114	PH8208114 HIGH PRESSURE JET TIP
115	PH8208115 SAFETY BLOW TIP
116	PH8208116 BALL INFLATOR TIP
117	PH8208117 LONG NECK TIRE INFLATOR
118	PH8208118 RUBBERIZED PRESSURE TIP
119	PH8208119 BARBED PUSH-ON HOSE TIP
120	PH8208120 TIP PRESSURE ADAPTER
121	PH8208121 STUBBY TIRE INFLATOR
122	PH8208122 PIPE ADAPTER: MALE
123	PH8208123 PIPE ADAPTER: FEMALE
124	PH8208124 SOCKET 1/2 DRV X 1/2
125	PH8208125 SOCKET 1/2 DRV X 9/16
126	PH8208126 SOCKET 1/2 DRV X 5/8
127	PH8208127 SOCKET 1/2 DRV X 3/4
128	PH8208128 SOCKET 1/2 DRV X 11/16
129	PH8208129 SOCKET 1/2 DRV X 11
130	PH8208130 SOCKET 1/2 DRV X 12
131	PH8208131 SOCKET 1/2 DRV X 13
132	PH8208132 SOCKET 1/2 DRV X 14
133	PH8208133 SOCKET 1/2 DRV X 17

REF PART #	DESCRIPTION
134	PH8208134 EXTENSION 1/2 DRV X 3"
135	PH8208135 DRV ADAPTER: 3/8 TO 1/2
136	PH8208136 DRV ADAPTER: 3/8 TO 1/4
137	PH8208137 INLINE OILER
138	PH8208138 QUICK COUPLER: FEMALE
139	PH8208139 UNIVERSAL AIR SUPPLY SWIVEL
140	PH8208140 DRVR BIT 1/4 DRV X #2 PHILLIPS
141	PH8208141 DRVR BIT 1/4 DRV X #3 PHILLIPS
142	PH8208142 DRVR BIT 1/4 DRV X 4.5 FLAT TIP
143	PH8208143 DRVR BIT 1/4 DRV X 5.5 FLAT TIP
144	PH8208144 DRVR BIT 1/4 DRV X TORX T-10
145	PH8208145 DRVR BIT 1/4 DRV X TORX T-15
146	PH8208146 BLOWGUN
147	PH8208147 AIR TOOL MINERAL OIL
148	PH8208148 TEFLON TAPE
149	PH8208149 FEMALE COUPLER
150	PH8208150 MALE COUPLER
151	PH8208151 DOVETAIL CHISEL
152	PH8208152 BLADE CHISEL
153	PH8208153 POINT CHISEL



## Free Manuals Download Website

<http://myh66.com>

<http://usermanuals.us>

<http://www.somanuals.com>

<http://www.4manuals.cc>

<http://www.manual-lib.com>

<http://www.404manual.com>

<http://www.luxmanual.com>

<http://aubethermostatmanual.com>

Golf course search by state

<http://golfingnear.com>

Email search by domain

<http://emailbydomain.com>

Auto manuals search

<http://auto.somanuals.com>

TV manuals search

<http://tv.somanuals.com>