

Intel PRO/Wireless LAN 2100 3B
Mini PCI Adapter



User's Guide

Intel PRO/Wireless LAN 2100 3B
Mini PCI Adapter



User's Guide

ATTENTION

Refer to the documentation that comes with your computer before installing the product.

Note

Be sure to keep your proof of purchase, because it might be required for warranty services. (For more information, refer to *Product warranty and notices for Intel PRO/Wireless LAN 2100 3B Mini PCI Adapter*.)

First Edition (February 2003)

The following paragraph does not apply to the United Kingdom or any country where such provisions are inconsistent with local law:

INTERNATIONAL BUSINESS MACHINES CORPORATION PROVIDES THIS PUBLICATION "AS IS" WITHOUT ANY WARRANTY OF ANY KIND, EITHER EXPRESS OR IMPLIED, INCLUDING, BUT NOT LIMITED TO, THE LIMITED WARRANTIES OF MERCHANTABILITY OR FITNESS FOR A PARTICULAR PURPOSE. Some states do not allow disclaimers or express or implied warranties in certain transactions; therefore, this statement may not apply to you.

This publication could include technical inaccuracies or typographical errors. Changes are periodically made to the information herein; these changes will be incorporated in new editions of the publication. IBM may make improvements or changes in the products or the programs described in this publication at any time.

It is possible that this publication may contain reference to, or information about, IBM products (machines and programs), programming, or services that are not announced in your country. Such references or information must not be construed to mean that IBM intends to announce such IBM products, programming, or services in your country.

Requests for technical information about IBM products should be made to your IBM authorized dealer or your IBM marketing representative.

© Copyright International Business Machines Corporation 2003. All rights reserved. US Government Users Restricted Rights – Use, duplication or disclosure restricted by GSA ADP Schedule Contract with IBM Corp.

Safety: Read first

Before installing this product, read the Safety Information.

مج، يجب قراءة دات السلامة

Antes de instalar este produto, leia as Informações de Segurança.

在安装本产品之前，请仔细阅读 **Safety Information** (安全信息)。

Prije instalacije ovog produkta obavezno pročitajte Sigurnosne Upute.

Před instalací tohoto produktu si přečtete příručku bezpečnostních instrukcí.

Læs sikkerhedsforskrifterne, før du installerer dette produkt.

Ennen kuin asennat tämän tuotteen, lue turvaohjeet kohdasta Safety Information.

Avant d'installer ce produit, lisez les consignes de sécurité.

Vor der Installation dieses Produkts die Sicherheitshinweise lesen.

Πριν εγκαταστήσετε το προϊόν αυτό, διαβάστε τις πληροφορίες ασφάλειας (safety information).

לפני שתתקינו מוצר זה, קראו את הוראות הבטיחות.

A termék telepítése előtt olvassa el a Biztonsági előírásokat!

Prima di installare questo prodotto, leggere le Informazioni sulla Sicurezza.

製品の設置の前に、安全情報をお読みください。

본 제품을 설치하기 전에 안전 정보를 읽으십시오.

Пред да се инсталира овој продукт, прочитајте информацијата за безбедност.

Lees voordat u dit product installeert eerst de veiligheidsvoorschriften.

Les sikkerhetsinformasjonen (Safety Information) før du installerer dette produktet.

Przed zainstalowaniem tego produktu, należy zapoznać się z książką "Informacje dotyczące bezpieczeństwa" (Safety Information).

Antes de instalar este produto, leia as Informações sobre Segurança.

Перед установкой продукта прочтите инструкции по технике безопасности.

Pred inštaláciou tohto zariadenia si pečítajte Bezpečnostné predpisy.

Pred namestitvijo tega proizvoda preberite Varnostne informacije.

Antes de instalar este producto lea la información de seguridad.

Läs säkerhetsinformationen innan du installerar den här produkten.

安裝本產品之前，請先閱讀「安全資訊」。

Contents

Safety: Read first	iii
About the Intel PRO/Wireless LAN 2100 3B Mini PCI Adapter	1
Product registration	1
Product description	1
Installing the Mini-PCI Card	2
Installing the device driver	2
Enabling Extended Channel Mode	3
Authorized Operation Within the United States and Canada	4
Trademarks	5

About the Intel PRO/Wireless LAN 2100 3B Mini PCI Adapter

This section provides information on registering, installing, and using the Intel® PRO/Wireless LAN 2100 3B Mini PCI Adapter.

Product registration

Thank you for purchasing this IBM® product. Please take a few moments to register your product and provide us with information that will help IBM to serve you better in the future. Your feedback is valuable to us in developing products and services that are important to you, as well as in developing better ways to communicate with you. Register your option on the IBM Web site at:

www.ibm.com/pc/register

IBM will send you information and updates on your registered product unless you indicate on the Web site questionnaire that you do not want to receive further information.

Product description

If you are using a wireless upgradable model of an IBM ThinkPad® computer, you can install the Intel PRO/Wireless LAN 2100 3B Mini PCI Adapter (hereafter called the *Mini-PCI Card*) in a Mini-PCI Card slot on your computer.

The option kit includes:

- Mini-PCI Card
- Mini-PCI guide
 - Note:** Some models do not require a Mini-PCI guide
- CD-ROM (device drivers and User's Guide)
- Product warranty and notices for Intel PRO/Wireless LAN 2100 3B Mini PCI Adapter
- Safety Information - Read This First

Installing the Mini-PCI Card

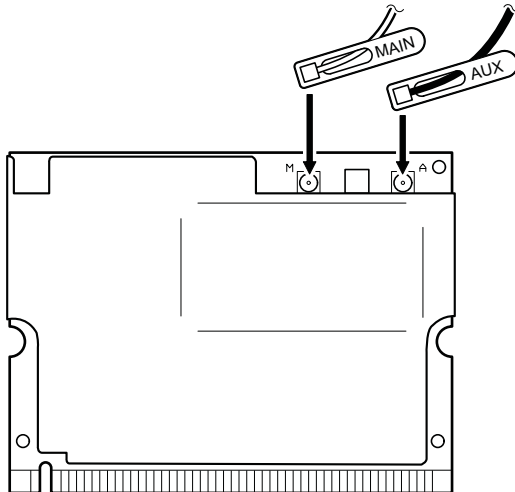
Note

Because Intel PRO/Wireless LAN 2100 3B Mini PCI Adapter can be damaged by static electricity, it is shipped in a static-protective bag.

- Do not open the static-protective bag until you are replacing the Mini-PCI Card.
- Touch the package to a metal table or a grounded metal object before removing the Mini-PCI Card from the bag. This action reduces any static electricity from the package and from your body.

For information on how to install or remove the Mini-PCI Card, see the online user's guide contained on your ThinkPad computer.

To connect the cables to the Mini-PCI Card, refer to the drawing below



Note: Plug the gray antenna cable with the tab marked “MAIN” into jack M, and the black antenna cable with the tab marked “AUX” into jack A.

Installing the device driver

If your computer is a wireless upgradable model, and you are installing the Mini-PCI Card for the first time, you need to install the device driver for the Card.

To install the device driver, either click the Software section button of the CD, or refer to the following instructions.

The device driver files are in the following directory:

C:\DRIVERS\WIN\WLLANINT

Note: On some computers, the device driver files are in the following directory:

C:\IBMTOOLS\DRIVERS\WLLANINT

Installing the device driver in Windows 2000 or Windows XP

To install the device driver in Microsoft® Windows® 2000 Professional or Windows XP, do the following:

1. Start your operating system. Log on with a user ID authorized as an administrator.
2. Click **Start** → **Run**.
3. Specify SETUP.EXE with a full path. The path is different for each of the OS as follows:

For Windows 2000

C:\DRIVERS\WIN\WLLANINT\PROW2100\WIN2K\SETUPWLD.EXE

For Windows XP

C:\DRIVERS\WIN\WLLANINT\PROW2100\WINXP\SETUPWLD.EXE

4. Click **OK**.
5. Follow the instructions on the screen.
6. When asked whether you want to restart the computer, click **Yes**.

Driver support for Windows 98 and Microsoft Windows NT® will be offered through a future web download at www.pc.ibm.com/support.

Enabling Extended Channel Mode

The statement below regarding the extended channel mode is applicable when the system supports this function. To check the support of this function, please see the property of the installed wireless card by referring to the extended channel mode enablement instruction.

In countries other than the United States and Canada, you may be allowed to use extra IEEE 802.11b channels. If you cannot connect to an Access Point, contact your system administrator or check your Access Point to find out

which channel is being used. If the number of the channel is 12 or greater, enable "Extended Channel Mode" by the following procedure:

1. Start Windows 2000 or Windows XP. Log on with a user ID authorized as an administrator.
2. Right-click the **My computer** icon on the desktop, and select **Property**.
3. Click the **Hardware** tab; then click the **Device Manager** button.
4. Select **Network Adapter**, find a wireless adapter device, right-click the device, and select **Property**.
5. Click the **Advanced** tab.
6. Select "Extended Channel Mode," and set the value to "Enable."

Note: This will be applied for systems with 802.11b wireless function supporting Extended Channel Mode.

Authorized Operation Within the United States and Canada

The statement below regarding the extended channel mode is applicable when the system supports this function. To check the support of this function, please see the property of the installed wireless card by referring to the extended channel mode enablement instruction.

For systems with 802.11b wireless function supporting Extended Channel Mode,

This device may only be used with Access Points, which are authorized for use within the geography in which they are being used. The use of this device with an Access Point that is not Wi-Fi compliant and not authorized to be used in your geography could result in violation of government regulations. Consult the network administrator, the instruction manual, or the approval label for the Access Point to determine the authorization of your Access Point in your specific country or geographic region.

"Extended Channel Mode" should only be selected when the device is operated outside the USA and Canada to avoid the unlikely possibility of unauthorized operation. The use of this device outside the United States and Canada in "Extended Channel Mode" may use frequencies not authorized for use in the United States and Canada. When used with an authorized Wireless Access Point that is Wi-Fi compliant or in Ad Hoc mode, this device will operate in its authorized modes in all geographies.

Please reconfigure selected frequencies when you travel from one country to another.

Trademarks

The following terms are trademarks of the IBM Corporation in the United States or other countries or both:

IBM
ThinkPad

Microsoft, Windows and Windows NT are trademarks of Microsoft Corporation in the United States, other countries, or both.

Intel is a trademark of Intel Corporation in the United States, other countries, or both.

Other company, product, and service names may be trademarks or service marks of others.



Part Number: 06P4023

Printed in U.S.A.

(1P) P/N: 06P4023



Free Manuals Download Website

<http://myh66.com>

<http://usermanuals.us>

<http://www.somanuals.com>

<http://www.4manuals.cc>

<http://www.manual-lib.com>

<http://www.404manual.com>

<http://www.luxmanual.com>

<http://aubethermostatmanual.com>

Golf course search by state

<http://golfingnear.com>

Email search by domain

<http://emailbydomain.com>

Auto manuals search

<http://auto.somanuals.com>

TV manuals search

<http://tv.somanuals.com>