

IBM System Storage SAN384B



# Installation, Service, and User Guide

*Service information: 2499-192*

**Read Before Using**

This product contains software that is licensed under written license agreements. Your use of such software is subject to the license agreements under which they are provided.



IBM System Storage SAN384B



# Installation, Service, and User Guide

*Service information: 2499-192*

**Note:**

Before using this information and the product it supports, read the information in "Notices" on page 141.

**Copyright © 2009-2010 Brocade Communications Systems, Inc. All Rights Reserved.**

The following paragraph does not apply to any country (or region) where such provisions are inconsistent with local law.

INTERNATIONAL BUSINESS MACHINES CORPORATION PROVIDES THIS PUBLICATION "AS IS" WITHOUT WARRANTY OF ANY KIND, EITHER EXPRESS OR IMPLIED, INCLUDING, BUT NOT LIMITED TO, THE IMPLIED WARRANTIES OF MERCHANTABILITY OR FITNESS FOR A PARTICULAR PURPOSE. Some states (or regions) do not allow disclaimer of express or implied warranties in certain transactions; therefore, this statement may not apply to you.

**© Copyright IBM Corporation 2009, 2010.**

US Government Users Restricted Rights – Use, duplication or disclosure restricted by GSA ADP Schedule Contract with IBM Corp.

---

## Read this first

---

### Summary of changes

This is the third edition of the *IBM System Storage SAN384B Installation, Service, and User Guide*. The content changes since the last edition of this publication are noted by a vertical line placed in the left margin beside each change. Minor edits are not identified by this mark. A summary of the changes for each edition are listed below.

#### Third edition

The following changes were made in this edition:

- Addition of a Fibre Channel 8 Gbps 64-port blade (FC8-64)–Feature code 3864
- New mini-SFP (mSFP) transceivers associated with the FC8-64 blade
- Introduction of 8 Gbps FICON Accelerator
- Addition of the Server Application Optimization (SAO) optional feature
- A change to the Fabric Operating System (FOS) version required for the FC8-64 blade
- Update of the Notices section

#### Second edition

The following changes were made in the second edition:

- The addition of the CEE 10GbE 24-port blade (FCOE10-24)
- The addition of the 8 Gbps routing blade (FX8-24)
- 3-way ICL connection configuration was added
- An update of how to submit comments on this publication
- Battery removal and disposal instructions were added

---

## Getting help

For the latest version of your product documentation, visit the web at [www.ibm.com/e-business/linkweb/publications/servlet/pbi.wss?](http://www.ibm.com/e-business/linkweb/publications/servlet/pbi.wss?). Search by form number or title.

For more information about IBM® SAN products, see the following Web site: [www.ibm.com/servers/storage/san/](http://www.ibm.com/servers/storage/san/)

IBM Redbooks often provide in depth information about product best practices, configurations, and more technical information. For redbooks associated with this product, enter search terms on the following Web site: [www.redbooks.ibm.com/](http://www.redbooks.ibm.com/).

For support information for this product and other SAN products, see the following Web site: [www.ibm.com/systems/support/](http://www.ibm.com/systems/support/), select **System Storage**, then select **Storage Area Network (SAN)** from the linked page.

For Fabric OS Release Notes and access to Fabric OS firmware downloads, go to [www.ibm.com/systems/support/](http://www.ibm.com/systems/support/), select **System Storage**, then select **Storage Area**

**Network (SAN)** from the linked page. From the displayed page, select your product, then select **Download**. From the displayed page, click the **release notes** or **firmware** links.

You can also contact IBM within the United States at 1-800-IBMSERV (1-800-426-7378). For support outside the United States, you can find the service number at: <http://www.ibm.com/planetwide/>.

Visit [www.ibm.com/contact](http://www.ibm.com/contact) for the contact information for your country or region.

For detailed information about the Fibre Channel standards, see the Fibre Channel Industry Association (FCIA) Web site at: [www.fibrechannel.org/](http://www.fibrechannel.org/)

For information about storage industry standards, see the Storage Networking Industry Association (SNIA) Web site at: [www.snia.org/](http://www.snia.org/)

## Taiwan Contact Information

IBM Taiwan Product Service Contact Info:  
IBM Taiwan Corporation  
3F, No 7, Song Ren Rd., Taipei Taiwan  
Tel: 0800-016-888

台灣IBM 產品服務聯絡方式：  
台灣國際商業機器股份有限公司  
台北市松仁路7號3樓  
電話：0800-016-888

---

## How to send your comments

Your feedback is important in helping us provide the most accurate and high-quality information. If you have comments or suggestions for improving this document, send us your comments by e-mail to [starpubs@us.ibm.com](mailto:starpubs@us.ibm.com). Be sure to include the following:

- Exact publication title
- Publication form number (for example, GC26-1234-02)
- Page, table, or illustration numbers
- A detailed description of any information that should be changed

# Contents

<b>Read this first</b> . . . . .	<b>iii</b>
Summary of changes . . . . .	iii
Third edition . . . . .	iii
Second edition . . . . .	iii
Getting help . . . . .	iii
Taiwan Contact Information . . . . .	iv
How to send your comments . . . . .	iv

<b>Figures</b> . . . . .	<b>ix</b>
--------------------------	-----------

<b>Tables</b> . . . . .	<b>xi</b>
-------------------------	-----------

<b>Safety notices</b> . . . . .	<b>xiii</b>
Safety notices and labels . . . . .	xiii
Danger notices . . . . .	xiii
Caution notices . . . . .	xvi
Safety labels . . . . .	xvii
Attention notices . . . . .	xviii
Rack safety . . . . .	xix
Rack installation . . . . .	xix
Rack relocation (19" rack) . . . . .	xx
Safety inspections . . . . .	xxi
Removing AC power . . . . .	xxi
External machine checks . . . . .	xxi
Internal machine checks . . . . .	xxi
Product recycling and disposal . . . . .	xxii

<b>About this document</b> . . . . .	<b>xxiii</b>
Who should read this document . . . . .	xxiii
Product documents . . . . .	xxiii
Brocade documents . . . . .	xxiii
IBM and Brocade product matrix . . . . .	xxiv
Accessibility features for SAN384B . . . . .	xxiv

<b>Chapter 1. Introduction</b> . . . . .	<b>1</b>
Overview of the SAN384B . . . . .	1
Hardware components . . . . .	2
SAN384B blades . . . . .	5
High availability . . . . .	7
Reliability . . . . .	7
Serviceability . . . . .	7
Software features . . . . .	8
Security . . . . .	8
Network Manageability . . . . .	9

<b>Chapter 2. Installing a SAN384B in a cabinet</b> . . . . .	<b>11</b>
Ordering the lift tool . . . . .	11
World trade locations . . . . .	12
United States locations . . . . .	12
Installation guidelines . . . . .	13
Installing a SAN384B in a 2109 C36 cabinet . . . . .	14
Time required . . . . .	14
Unpacking and assembling the lift tool . . . . .	15

Unpacking the SAN384B . . . . .	16
Installing the port-side exhaust kit . . . . .	18
Torque requirements . . . . .	20
Installing the exhaust kit hardware . . . . .	20
Installing the SAN384B into the cabinet . . . . .	24
Port numbering . . . . .	28
Chassis slots . . . . .	30
Cable organization . . . . .	30

## **Chapter 3. Starting and configuring the SAN384B** . . . . . **33**

Providing power to the SAN384B . . . . .	35
Connecting the SAN384B and host with a serial cable . . . . .	35
Logging in to the serial console port . . . . .	36
Configuring the IP addresses . . . . .	36
Logging off the serial console port and disconnecting the serial cable . . . . .	37
Establishing an Ethernet connection . . . . .	38
Customizing the switch name . . . . .	38
Customizing a chassis name . . . . .	38
Setting the Domain ID . . . . .	39
Setting the date and time . . . . .	39
Setting the date . . . . .	39
Setting the time zone . . . . .	39
Synchronizing local time . . . . .	40
Verifying the PID mode and connecting to the fabric . . . . .	41
Software licenses . . . . .	41
Installing transceivers and attaching cables . . . . .	41
Managing cables . . . . .	42
Verifying correct operation and backing up the configuration . . . . .	43
Fabric OS firmware updates . . . . .	43
Downloading and installing firmware . . . . .	44
Powering off the SAN384B . . . . .	44

## **Chapter 4. Monitoring system components** . . . . . **45**

Port or application blade status . . . . .	45
Control processor blade (CP8) status . . . . .	53
Core switch blade (CR4S-8) status . . . . .	55
Power supply status . . . . .	56
Blower assembly status . . . . .	57
WWN card status . . . . .	59

## **Chapter 5. Removing and installing components** . . . . . **61**

Removing and installing the chassis door . . . . .	61
Time and items required . . . . .	61
Removing the chassis door . . . . .	61
Removing and installing cable management finger assemblies . . . . .	62
Time and items required . . . . .	62
Removing a cable management finger assembly . . . . .	62

Installing a cable management finger assembly	63
Removing and installing port and application blades	64
Time and items required	64
Removing a blade	64
Installing a blade	66
Removing and installing blade filler panels	67
Removing a filler panel	67
Installing a filler panel	67
Removing and installing a CP8 control processor blade	68
Time and items required	68
Verifying the need for replacement	68
Recording critical SAN384B information	69
Removing a control processor blade (CP8)	69
Installing a control processor blade (CP8)	70
Verifying operation of the new CP blade	71
Downloading firmware from an FTP server	71
Downloading firmware from a USB drive	72
Removing and installing a CR4S-8 core switch blade	72
Time and items required	73
Verifying the necessity of installation	73
Removing a CR4S-8 core switch blade	73
Installing a CR4S-8 core switch blade	74
Removing and installing a power supply	75
Time and items required	75
Removing a power supply	75
Installing a power supply	76
Removing and installing a blower assembly	77
Time and items required	77
Removing a blower assembly	77
Installing a blower assembly	78
Removing and installing a WWN bezel and WWN card	78
Time and items required	78
Verifying necessity of installation	79
Determining the status of a WWN card	79
Removing the WWN bezel and WWN card	79
Installing the WWN bezel and WWN card	80
Removing and installing transceivers	81
Time required	81
Items required	81
Removing and replacing an SFP, SFP+, or XFP optical transceiver	82
Removing and replacing an mSFP optical transceiver	83
Removing and installing inter-chassis link (ICL) cables	84
Time and items required	85
Removing an ICL cable	85
Installing an ICL cable	85
Removing and replacing a SAN384B chassis	91
Time required	92
Items required	92
Verifying need for replacement	92
Recording critical SAN384B and SAN information	92
Disconnecting from the network and fabric	96
Removing components from the chassis	97
Removing a SAN384B from the cabinet	98
Installing the replacement chassis	99
Installing components into the new chassis	99

Downloading the configuration	100
Verifying correct operation of system	100
Reconnecting the system to the network and fabric	102
Verifying correct configuration of the fabric	102
Cable routing table template	104
Removing the battery	105

## Chapter 6. Installing new features . . . 107

FC3816, FC3832, FC3848 - Installing a 8-Gb port blade (16, 32, or 48 ports)	107
Time required	107
Items required	107
Procedures	108
FC3864 - Installing an 8-Gb 64-port port blade	109
Time required	109
Items required	109
Procedures	109
FC3850 - Installing an FR4-18i routing blade	111
Time required	111
Items required	111
Procedures	111
FC3870 - Installing an FC10-6 10 Gb blade	112
Time required	112
Items required	112
Procedures	113
FC3880 - Installing an FCOE10-24 blade	114
Time required	114
Items required	114
Procedures	114
FC3890 - Installing an FX8-24 extension blade	115
Time required	115
Items required	115
Procedures	115
FC7870 - Installing an inter-chassis cable kit	116
Time required	116
Items required	116
Procedures	116

## Appendix A. Product specifications 119

General specifications	119
System architecture	119
System size and weights	122
System blade and FRU weights	122
Facility requirements	123
Environmental requirements	123
Fibre channel port specifications	124
Power specifications	124
Data transmission ranges	125
FR4-18i routing blade port specifications	125
Fibre Channel port specifications	125
GbE port specifications	126
Power cords	126

## Appendix B. Application blades . . . 127

FR4-18i blade	127
FX8-24 blade	127
FCOE10-24 blade	129



<b>Appendix C. Diagnostics and troubleshooting . . . . .</b>	<b>131</b>
Obtaining chassis and component status . . . . .	131
Interpreting POST and boot results . . . . .	132
POST . . . . .	132
Boot . . . . .	133
Diagnostics . . . . .	133
Troubleshooting . . . . .	133
<b>Appendix D. Blade port numbering</b>	<b>137</b>
<b>Notices . . . . .</b>	<b>141</b>
Trademarks . . . . .	143
Electronic emission notices . . . . .	144
Federal Communications Commission (FCC)	
Class A Statement . . . . .	144
Industry Canada Class A Emission Compliance	
Statement . . . . .	144

Avis de conformité à la réglementation	
d'Industrie Canada . . . . .	144
European Union EMC Directive Conformance	
Statement . . . . .	144
Germany Electromagnetic Compatibility	
Directive . . . . .	145
People's Republic of China Class A Electronic	
Emission Statement . . . . .	146
Japan VCCI Council Class A Statement . . . . .	146
Japan Electronics and Information Technology	
Industries Association (JEITA) Statement . . . . .	146
Korea Communications Commission (KCC)	
Statement . . . . .	146
Russia Electromagnetic Interference (EMI) Class	
A Statement . . . . .	147
Australia and New Zealand Class A Statement	147
<b>Index . . . . .</b>	<b>149</b>



## Figures

1.	Port side of the SAN384B (sample configuration) . . . . .	3	28.	Power supply . . . . .	57
2.	Port side of the SAN384B with the exhaust kit installed (sample configuration) . . . . .	4	29.	Blower assembly LEDs. . . . .	58
3.	Blower (non-port) side of the SAN384B . . . . .	4	30.	WWN bezel . . . . .	59
4.	Assembled lift tool with 24-inch load plate . . . . .	16	31.	Chassis door . . . . .	62
5.	Lift tool positioned next to the chassis on the shipping tray . . . . .	17	32.	Cable management finger assemblies . . . . .	63
6.	Port-side exhaust kit assembly for 27 to 31 in. (68.58 to 78.74 cm) cabinets . . . . .	19	33.	Port blade removal and installation (48-port blade shown as example) . . . . .	65
7.	Clip and retainer nut locations on exhaust side cabinet rails (example showing relative positions) . . . . .	21	34.	Filler panel removal and installation . . . . .	67
8.	Shelf installed in cabinet . . . . .	22	35.	Removing the control processor (CP8) blade . . . . .	70
9.	Air duct installed into side slot in shelf . . . . .	22	36.	Removing and replacing the core switch blade . . . . .	74
10.	Installing the top rail assembly to the duct assembly and cabinet rails . . . . .	23	37.	Location of the two power supplies . . . . .	75
11.	Lift tool and chassis positioned at rear of cabinet . . . . .	24	38.	Removing and installing a power supply . . . . .	76
12.	Load plate extended inside the cabinet to the exhaust kit shelf . . . . .	25	39.	Blower assembly removal and replacement . . . . .	78
13.	Chassis half way into cabinet on load plate . . . . .	26	40.	WWN bezel and card removal and installation . . . . .	80
14.	Location of screws to attach the chassis to the cabinet rails . . . . .	27	41.	Optical transceiver (SFP, SFP+, and XFP) extraction tool. . . . .	82
15.	Attaching the vertical cable management finger assemblies to the cabinet rails . . . . .	28	42.	Replacing an optical transceiver. . . . .	82
16.	Cable design for the mSFP patch cables for the FC8-64 high density port blade . . . . .	30	43.	Optical mSFP transceiver . . . . .	83
17.	Flow of configuration tasks for the SAN384B . . . . .	34	44.	ICL cable . . . . .	85
18.	FC8-16 port blade . . . . .	46	45.	ICL cable connections between two SAN384B chassis . . . . .	87
19.	FC8-32 port blade . . . . .	46	46.	ICL cable connections between a SAN384B chassis and a SAN768B chassis. . . . .	88
20.	FC8-48 port blade . . . . .	47	47.	3-way ICL cable connections between a SAN384B chassis and two SAN768B chassis. . . . .	89
21.	FC8-64 port blade . . . . .	47	48.	3-way ICL cable connections between a SAN768B chassis and two SAN384B chassis. . . . .	90
22.	FC10-6 port blade . . . . .	48	49.	3-way ICL cable connections between three SAN384B chassis. . . . .	91
23.	FR4-18i routing blade . . . . .	49	50.	Battery locations on the SAN384B. . . . .	106
24.	FX8-24 extension blade. . . . .	49	51.	FC8-16 port blade . . . . .	137
25.	FCOE10-24 blade. . . . .	49	52.	FC8-32 port blade . . . . .	137
26.	Control processor blade (CP8) LEDs . . . . .	54	53.	FC8-48 port blade . . . . .	138
27.	Core switch blade (CR4S-8) . . . . .	55	54.	FC8-64 port blade . . . . .	138
			55.	FC10-6 port blade, ports 0-5 from right to left . . . . .	138
			56.	FR4-18i routing blade . . . . .	138
			57.	FX8-24 extension blade . . . . .	139
			58.	FCOE10-24 blade . . . . .	139



---

## Tables

1. Brocade and IBM product and model number matrix . . . . .	xxiv	16. WWN card related system log messages	79
2. Blades available for the SAN384B . . . . .	5	17. ICL connector port LEDs . . . . .	84
3. Security features . . . . .	8	18. Critical information checklist example. . . . .	94
4. Installation tasks, time, and items required	14	19. Cable routing table for SAN384B (64 ports shown). . . . .	104
5. Parts list for port-side exhaust kit for C36 cabinets. . . . .	18	20. General product specifications . . . . .	119
6. Torque requirements for mounting screws	20	21. System architecture . . . . .	119
7. Port blades available on the SAN384B. . . . .	28	22. System sizes and weights . . . . .	122
8. Configuration parameters . . . . .	36	23. System FRU weights . . . . .	122
9. Port and routing blade LED descriptions	51	24. Environmental requirements . . . . .	123
10. CP blade LED descriptions . . . . .	54	25. Power specifications . . . . .	124
11. CR4S-8 blade LED descriptions . . . . .	56	26. Supported optics, speeds, cables, and distances . . . . .	125
12. Power supply LED descriptions. . . . .	57	27. Environmental status and maintenance commands . . . . .	132
13. Blower assembly LED descriptions. . . . .	58	28. Troubleshooting. . . . .	133
14. Messages that may indicate WWN card failure	59		
15. Commands identifying the WWN card status	79		



---

## Safety notices

This section contains information about:

- “Safety notices and labels”
- “Rack safety” on page xix
- “Safety inspections” on page xxi

---

### Safety notices and labels

When using this product, observe the danger, caution, and attention notices contained in this guide. The notices are accompanied by symbols that represent the severity of the safety condition. The danger and caution notices are listed in numerical order based on their IDs, which are displayed in parentheses, for example (D004), at the end of each notice. Use this ID to locate the translation of these danger and caution notices in the *IBM Systems Safety Notices (G229–9054)* publication, which is on the CD-ROM that accompanies this product.

The following notices and statements are used in IBM documents. They are listed below in order of increasing severity of potential hazards. Follow the links for more detailed descriptions and examples of the danger, caution, and attention notices in the sections that follow.

- **Note:** These notices provide important tips, guidance, or advice.
- **“Attention notices” on page xviii:** These notices indicate potential damage to programs, devices, or data.
- **“Caution notices” on page xvi:** These statements indicate situations that can be potentially hazardous to you.
- **“Danger notices”:** These statements indicate situations that can be potentially lethal or extremely hazardous to you. Safety labels are also attached directly to products to warn of these situations.
- In addition to these notices, “Safety labels” on page xvii may be attached to the product to warn of potential hazards.

### Danger notices

A danger notice calls attention to a situation that is potentially lethal or extremely hazardous to people. A lightning bolt symbol accompanies a danger notice to represent a dangerous electrical condition. Read and comply with the following danger notices before installing or servicing this device.



#### DANGER

To prevent a possible shock from touching two surfaces with different protective ground (earth), use one hand, when possible, to connect or disconnect signal cables. (D001)



**DANGER**

Overloading a branch circuit is potentially a fire hazard and a shock hazard under certain conditions. To avoid these hazards, ensure that your system electrical requirements do not exceed branch circuit protection requirements. Refer to the information that is provided with your device or the power rating label for electrical specifications. (D002)



**DANGER**

If the receptacle has a metal shell, do not touch the shell until you have completed the voltage and grounding checks. Improper wiring or grounding could place dangerous voltage on the metal shell. If any of the conditions are not as described, STOP. Ensure the improper voltage or impedance conditions are corrected before proceeding. (D003)



**DANGER**

An electrical outlet that is not correctly wired could place hazardous voltage on metal parts of the system or the devices that attach to the system. It is the responsibility of the customer to ensure that the outlet is correctly wired and grounded to prevent an electrical shock. (D004)

A general electrical danger notice provides instructions on how to avoid shock hazards when servicing equipment. Unless instructed otherwise, follow the procedures in the following danger notice.





## DANGER

When working on or around the system, observe the following precautions:

Electrical voltage and current from power, telephone, and communication cables are hazardous. To avoid a shock hazard:

- Connect power to this unit only with the IBM provided power cord. Do not use the IBM provided power cord for any other product.
- Do not open or service any power supply assembly.
- Do not connect or disconnect any cables or perform installation, maintenance, or reconfiguration of this product during an electrical storm.
- The product might be equipped with multiple power cords. To remove all hazardous voltages, disconnect all power cords.
- Connect all power cords to a properly wired and grounded electrical outlet. Ensure that the outlet supplies proper voltage and phase rotation according to the system rating plate.
- Connect any equipment that will be attached to this product to properly wired outlets.
- When possible, use one hand only to connect or disconnect signal cables.
- Never turn on any equipment when there is evidence of fire, water, or structural damage.
- Disconnect the attached power cords, telecommunications systems, networks, and modems before you open the device covers, unless instructed otherwise in the installation and configuration procedures.
- Connect and disconnect cables as described below when installing, moving, or opening covers on this product or attached devices.

### To Disconnect:

1. Turn off everything (unless instructed otherwise).
2. Remove the power cords from the outlets.
3. Remove the signal cables from the connectors.
4. Remove all cables from the devices.

### To Connect:

1. Turn off everything (unless instructed otherwise).
2. Attach all cables to the devices.
3. Attach the signal cables to the connectors.
4. Attach the power cords to the outlets.
5. Turn on the devices.

(D005)

The weight of the SAN cabinet (2109-C36) with two SAN384Bs is greater than 227 kg (500 lb), and has a fully loaded capacity of 816 kg (1795 lb). Under these conditions, the following statement and notice apply.

## Delivery and subsequent transportation of the equipment

The customer should prepare his environment to accept the new product based on the installation planning information provided, with assistance from an IBM Installation Planning Representative (IPR) or IBM authorized service provider. In anticipation of the equipment delivery, the final installation site should be prepared in advance such that professional movers/riggers can transport the equipment to the final installation site within the computer room. If for some reason, this is not possible at the time of delivery, the customer will need to make arrangements to have professional movers/riggers return to finish the transportation at a later date. Only professional movers/riggers should transport the equipment. The IBM authorized service provider will only perform minimal frame repositioning within the computer room, as needed, to perform required service actions. The customer is also responsible for using professional movers/riggers in the case of equipment relocation or disposal.









### DANGER

Heavy equipment—personal injury or equipment damage might result if mishandled. (D006)

## Caution notices

A caution notice calls attention to a situation that is potentially hazardous to people because of some existing condition. A caution notice can be accompanied by different symbols, as in the examples below:

If the symbol is...	It means....
	A hazardous electrical condition with less severity than electrical danger.
	A generally hazardous condition not represented by other safety symbols.
	A specification of product weight that requires safe lifting practices. The weight range of the product is listed below the graphic, and the wording of the caution varies, depending on the weight of the device.
	A potential hazard of pinching the hand or other body parts between parts.
	A hazardous condition due to moving parts nearby.
	A hazardous condition due to the use of a laser in the product. Laser symbols are always accompanied by the classification of the laser as defined by the U.S. Department of Health and Human Services (for example, Class I, Class II, and so forth).

Read and comply with the following caution notices before installing or servicing this device.



**CAUTION:**

Energy hazard present. Shorting may result in system outage and possible physical injury. Remove all metallic jewelry before servicing. (C001)



**CAUTION:**

The weight of this part or unit is more than 55 kg (121.2 lb). It takes specially trained persons, a lifting device, or both to safely lift this part or unit. (C011)

>55kg (121.2 lb)



**CAUTION:**

This product is equipped with a 3-wire (two conductors and ground) power cable and plug. Use this power cable with a properly grounded electrical outlet to avoid electrical shock. (C018)



**CAUTION:**

Servicing of this product or unit is to be performed by trained service personnel only. (C032)

**CAUTION:**

For CA residents only: IBM recommends installing this product in a room size of 62 cubic meters (2190 cubic feet) or larger at 0.4 ACH ventilation rate to reduce the concentrations of any chemicals emitted by the product.

## Safety labels

As an added precaution, safety labels are often installed directly on products or product components to warn of potential hazards. These can be either danger or caution notices, depending upon the level of the hazard.

The actual product safety labels may differ from these sample safety labels:



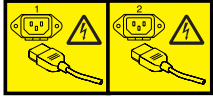
**DANGER**

Hazardous voltage, current, or energy levels are present inside any component that has this label attached. Do not open any cover or barrier that contains this label. (L001)



**DANGER**

Rack-mounted devices are not to be used as a shelf or work space. (L002)



#### DANGER

Multiple power cords. The product might be equipped with multiple power cords. To remove all hazardous voltages, disconnect all power cords. (L003)



#### DANGER

Hazardous voltage present. Voltages present constitute a shock hazard, which can cause severe injury or death. (L004)



#### CAUTION:

Hazardous energy present. Voltages with hazardous energy might cause heating when shorted with metal, which might result in splattered metal, burns, or both. (L005)



#### CAUTION:

Hazardous moving parts nearby (L008)



#### CAUTION:

Pinch hazard. (L012)

## Attention notices

An attention notice indicates the possibility of damage to a program, device, or system, or to data. An exclamation point symbol may accompany an attention notice, but is not required. A sample attention notice follows:

**Attention:** Do not bend a fibre cable to a radius less than 5 cm (2 in.); you can damage the cable. Tie wraps are not recommended for optical cables because they can be easily overtightened, causing damage to the cable.

### ESD precautions

**Attention:** Many of the field replaceable units (FRUs) are sensitive to electrostatic discharge (ESD), and can potentially be damaged by improper handling. Wear a wrist grounding strap connected to chassis ground (if the SAN384B is plugged in) or a bench ground. Store all ESD-sensitive components in antistatic packaging.

## Rack safety

### Rack installation

#### DANGER

Observe the following precautions when working on or around your IT rack system:

- Heavy equipment—personal injury or equipment damage might result if mishandled.
- Always lower the leveling pads on the rack cabinet.
- Always install stabilizer brackets on the rack cabinet.
- To avoid hazardous conditions due to uneven mechanical loading, always install the heaviest devices in the bottom of the rack cabinet. Always install servers and optional devices starting from the bottom of the rack cabinet.
- Rack-mounted devices are not to be used as shelves or work spaces. Do not place objects on top of rack-mounted devices.



- Each rack cabinet might have more than one power cord. Be sure to disconnect all power cords in the rack cabinet when directed to disconnect power during servicing.
- Connect all devices installed in a rack cabinet to power devices installed in the same rack cabinet. Do not plug a power cord from a device installed in one rack cabinet into a power device installed in a different rack cabinet.
- An electrical outlet that is not correctly wired could place hazardous voltage on the metal parts of the system or the devices that attach to the system. It is the responsibility of the customer to ensure that the outlet is correctly wired and grounded to prevent an electrical shock.

(R001 part 1 of 2)

#### CAUTION:

- Do not install a unit in a rack where the internal rack ambient temperatures will exceed the manufacturer's recommended ambient temperature for all your rack-mounted devices.
- Do not install a unit in a rack where the air flow is compromised. Ensure that air flow is not blocked or reduced on any side, front, or back of a unit used for air flow through the unit.
- Consideration should be given to the connection of the equipment to the supply circuit so that overloading of the circuits does not compromise the supply wiring or overcurrent protection. To provide the correct power connection to a rack, refer to the rating labels located on the equipment in the rack to determine the total power requirement of the supply circuit.
- *(For sliding drawers)* Do not pull out or install any drawer or feature if the rack stabilizer brackets are not attached to the rack. Do not pull out more than one drawer at a time. The rack might become unstable if you pull out more than one drawer at a time.
- *(For fixed drawers)* This drawer is a fixed drawer and must not be moved for servicing unless specified by the manufacturer. Attempting to move the drawer partially or completely out of the rack might cause the rack to become unstable or cause the drawer to fall out of the rack.

(R001 part 2 of 2)

## Rack relocation (19" rack)

### CAUTION:

Removing components from the upper positions in the rack cabinet improves rack stability during relocation. Follow these general guidelines whenever you relocate a populated rack cabinet within a room or building:

- Reduce the weight of the rack cabinet by removing equipment starting at the top of the rack cabinet. When possible, restore the rack cabinet to the configuration of the rack cabinet as you received it. If this configuration is not known, you must do the following:
  - Remove all devices in the 32U position and above.
  - Ensure that the heaviest devices are installed in the bottom of the rack cabinet.
  - Ensure that there are no empty U-levels between devices installed in the rack cabinet below the 32U level.
  - If the rack cabinet you are relocating is part of a suite of rack cabinets, detach the rack cabinet from the suite.
  - Inspect the route that you plan to take when moving the rack to eliminate potential hazards.
  - Verify that the route that you choose can support the weight of the loaded rack cabinet. Refer to the documentation that came with your rack cabinet for the weight of a loaded rack cabinet.
  - Verify that all door openings are at least 760 x 2030 mm (30 x 80 in.).
  - Ensure that all devices, shelves, drawers, doors, and cables are secure.
  - Ensure that the four leveling pads are raised to their highest position.
  - Ensure that there is no stabilizer bracket installed on the rack cabinet during movement.
  - Do not use a ramp inclined at more than 10 degrees.
  - Once the rack cabinet is in the new location, do the following:
    - Lower the four leveling pads.
    - Install stabilizer brackets on the rack cabinet.
    - If you removed any devices from the rack cabinet, repopulate the rack cabinet from the lowest position to the highest position.
  - If a long distance relocation is required, restore the rack cabinet to the configuration of the rack cabinet as you received it. Pack the rack cabinet in the original packaging material, or equivalent. Also, lower the leveling pads to raise the casters off of the pallet and bolt the rack cabinet to the pallet.

(R002)

---

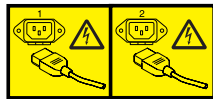
## Safety inspections

Perform the following safety checks to identify unsafe conditions. Be cautious of potential safety hazards that are not covered in the safety checks. If unsafe conditions are present, determine how serious the hazards are and whether you should continue before you correct the problem.

### Removing AC power

Perform the following steps to remove the alternating current (ac) power:

1. Perform a controlled system shutdown.
2. Set the power switch on the product to the off position.
3. Disconnect the power cables from the power source.



**DANGER**

Multiple power cords. (L003)

### External machine checks

Perform the following external machine checks:

1. Verify that all external covers are present and are not damaged.
2. Ensure that all latches and hinges are in correct operating condition.
3. Check the power cable for damage.
4. Check the external signal cable for damage.
5. Check the cover for sharp edges, damage, or alterations that expose the internal parts of the device.
6. Check that any unused serial ports are covered for dust and ESD protection. The cover should be kept on the serial port whenever it is not being used.
7. Correct any problems that you find.

### Internal machine checks

Perform the following internal machine checks:

1. Check for any non-IBM changes that might have been made to the machine. If any are present, obtain the "Non-IBM Alteration Attachment Survey" form, number R009, from the IBM branch office. Complete the form and return it to the branch office.
2. Check the condition of the inside of the machine for:
  - Metal or other contaminants
  - Indications of water or other fluid
  - Fire or smoke damage
3. Check for any obvious mechanical problems, such as loose components.
4. Check any exposed cables and connectors for wear, cracks, or pinching.

---

## Product recycling and disposal

Refer to the *IBM Systems Environmental Notices and User Guide (Z125-5823)* on the product documentation CD for translated environmental statements and information regarding product recycling and disposal. This document may be provided either in printed version or on the product documentation CD. See "Removing the battery" on page 105 for battery removal instructions, if needed to meet environmental regulations.



---

## About this document

This document describes how to install and service the IBM System Storage™ SAN384B fabric backbone product. Throughout this document, the product is referred to as the *SAN384B*. This document includes information specific to the SAN384B running Fabric OS version 6.4.0. and later. For information about a Fabric OS version other than 6.4.0, refer to the documentation specific to your Fabric OS version.

The sections that follow provide information about:

- “Who should read this document”
- “Product documents”
- “Brocade documents”
- “Accessibility features for SAN384B” on page xxiv

---

## Who should read this document

This document is intended for trained service representatives who are responsible for installing and servicing the SAN384B, and for network administrators responsible for maintaining and using the SAN384B.

---

## Product documents

The following documents contain information related to this product. The documentation may be printed material or may be on the documentation CD that is shipped with the product.

- *IBM System Storage SAN384B Installation, Service, and User Guide*, GC52-1333 (this document, which is also available in accessible HTML format on the documentation CD)
- *IBM Systems Safety Notices*, G229-9054
- *IBM Systems Environmental Notices and User Guide*, Z125-5823
- IBM Warranty
- *Implementing an IBM/Brocade SAN with 8 Gbps Directors and Switches*, (an IBM Redbook), SG24-6116

---

## Brocade documents

IBM switches use software licensed from Brocade Communications Systems, Inc. You can find information related to the software that supports the SAN384B in the following documents on the CD-ROM supplied with this product:

### Brocade Fabric OS

- *Fabric OS Administrator's Guide*
- *Fabric OS Command Reference Manual*
- *Fabric OS MIB Reference*
- *Fabric OS Message Reference*
- *Fabric OS Troubleshooting and Diagnostics Guide*
- *Fabric OS FCIP Administrator's Guide*
- *FICON Administrator's Guide*

- *SAN Glossary*

### **Brocade Fabric OS optional features**

- *Fabric Watch Administrator's Guide*
- *Web Tools Administrator's Guide*

### **Brocade HBA publication**

- *Brocade Adapters Administrator's Guide*

## **IBM and Brocade product matrix**

When you use any of the Brocade documents, you will notice that the model numbers reflect the original Brocade products. Table 1 provides a product matrix for you to use to correlate the Brocade products and models to the IBM product names and machine types and model numbers. Products withdrawn from marketing are not listed.

*Table 1. Brocade and IBM product and model number matrix*

<b>Brocade product name</b>	<b>IBM product name</b>	<b>IBM machine type and model number</b>
Brocade DCX-4S	SAN384B	2499 Model 192
Brocade DCX	SAN768B	2499 Model 384
Brocade 48000	SAN256B Director	2109 Model M48
Brocade 8000	IBM Converged Switch B32	3758 Models B32 and L32
Brocade 7800	SAN06B-R	2498 Model R06
Brocade 7500E	SAN04B-R	2005 Model R04
Brocade 5300	SAN80B-4	2498 Model B80
Brocade 5100	SAN40B-4	2498 Models B40 and 40E
Brocade 300	SAN24B-4	2498 Models B24 and 24E

## **Accessibility features for SAN384B**

Accessibility features help users who have a disability, such as restricted mobility or limited vision, to use information technology products successfully.

### **Accessibility features**

Use and operation of this device is accomplished primarily through external devices which may provide different accessibility features.

The following list includes the major accessibility features in the SAN384B either directly or through external devices or interfaces:

- Keyboard-only operation
- Interfaces that are commonly used by screen readers
- Keys that are discernible by touch but do not activate just by touching them
- Industry-standard devices for ports and connectors
- The attachment of alternative input and output devices

### **Keyboard navigation**

This product uses standard Microsoft® Windows® navigation keys.

### **Vendor software**

The SAN384B includes certain vendor software that is not covered under the IBM license agreement. IBM makes no representation about the accessibility features of these products. Contact the vendor for the accessibility information about its products.

### **Related accessibility information**

You can view the publications for the SAN384B in Adobe Portable Document Format (PDF) using the Adobe Acrobat Reader. The PDFs are provided on a CD that is packaged with the product. An accessible HTML version of this document is also included on the documentation CD for this product.

### **IBM and accessibility**

See the IBM Human Ability and Accessibility Center for more information about the commitment that IBM has to accessibility: [www.ibm.com/able](http://www.ibm.com/able).



---

## Chapter 1. Introduction

This chapter introduces the features and components of the IBM System Storage SAN384B fabric backbone. Throughout this document, the product is referred to as the *SAN384B*, or more generically as *system*, *device*, or *chassis*, where appropriate. This chapter contains the following information:

- “Overview of the SAN384B”
- “Hardware components” on page 2
- “High availability” on page 7
- “Reliability” on page 7
- “Serviceability” on page 7
- “Software features” on page 8

---

### Overview of the SAN384B

The SAN384B is part of IBM's industry-leading backbone-class product line, a highly robust class of network switching platform that combines breakthrough performance, scalability, and energy efficiency with long-term investment. Supporting open systems and System z<sup>®</sup>, SAN backbones are designed to address the data growth and application demands of evolving enterprise data centers, achieve server, SAN, and data center consolidation, and reduce infrastructure and administrative costs.

Key features of the SAN384B include:

- A horizontal chassis with up to 256 ports through four port blades (in addition to two core switching and two core processing blades).
- Support for all of the application, port blade, and control processor (CP) blades supported in the SAN768B, providing flexible system configurations and fewer types of new blades. (SAN768B CR8 core switch blades are not supported in the SAN384B chassis.)
- Up to 768 ports can connect with the use of inter-chassis links (ICLs).
- Support for high-performance port blades running at 1-, 2-, 4-, 8-, or 10-Gbps, enabling flexible system configuration.
- Supports 1-, 2-, 4-, and 8-Gbps auto-sensing Fibre Channel ports. Trunking technology groups up to eight ports to create high performance 64-Gbps ISL trunks between switches. (10 Gbps ports (FC10-6) are 10 Gbps only.)
- Dual-redundant control processor blades (CP8) and core switch blades (CR4S-8) provide high availability and enable nondisruptive software upgrades.
- Redundant and hot-swappable CP8 and CR4S-8 blades, power supplies, blower assemblies, and WWN cards enable a high availability platform for mission critical SAN applications.
- Universal ports that self-configure as E\_ports, F\_ports, FL\_ports, Ex\_ports, and M\_ports (mirror ports). 10 Gbps ports (FC10-6) are E-Ports only.
- Fibre Channel over IP (FCIP) functionality through the FX8-24 blade.
- Fibre Channel over Ethernet (FCoE) capability through the FCOE10-24 blade.

---

## Hardware components

The SAN384B features a modular and scalable mechanical construction that allows a wide range of flexibility in installation, fabric design, and maintenance. The chassis may be mounted with the cables facing the front of the equipment rack or to the rear, and consists of the following:

- Up to four hot-swappable port blade assemblies can be configured in a single chassis, delivering up to 256 Fibre Channel ports
- Two slots for control processor blades (CP8):
  - A single active CP8 blade can control all 256 ports in the chassis
  - The standby CP8 blade assumes control of the SAN384B if the active CP fails
- Two slots for core switch blades (CR4S-8):
  - CR4S-8 blade interconnects all port blades
  - Two inter-chassis link (ICL) connectors per blade to connect to another chassis
  - Both CR4S-8 blades are active
- Modular hot-swappable port blades:
  - 16-port, 8-Gbps blades (FC8-16)
  - 32-port, 8-Gbps blades (FC8-32)
  - 48-port, 8-Gbps blades (FC8-48)
  - 64-port 8-Gbps blades (FC8-64)
  - 6-port, 10-Gbps blades (FC10-6)
- Modular hot-swappable application blades:
  - FR4-18i: 18-port (16 FC + 2 GbE), up to 4 blades per chassis, supporting Fibre Channel Routing Services and FCIP
  - FX8-24: 24-port (12 FC, 10 GbE, 2 10GbE) FCIP extension blade enabling long distance communication over existing IP infrastructure
  - FCOE10-24: 24-port (24 10GbE) CEE-based FCoE blade enabling enhanced connectivity using existing Ethernet infrastructure. This blade cannot be used in the same chassis as the high density port blade FC8-64 or the FX8-24 or FR4-18i application blades.
- Modular hot-swappable field replaceable units (FRUs):
  - Two blower assemblies
  - Two 100 to 240 VAC power supplies. 240 VAC is recommended for efficiency and high availability.
  - Two WWN cards
  - Small Form-factor Pluggable (SFP, SFP+, and mSFP) optical transceivers. SFP transceivers support speeds of 1, 2, and 4 Gbps. SFP+ and mSFP transceivers support speeds of 2, 4, and 8 Gbps.
  - Extended Form-factor Pluggable (XFP) optical transceivers (10-Gbps)
  - 1 GbE copper SFP transceivers for the IP ports on the routing blade

**Note:** The 8-Gbps SFPs and mSFPs auto-negotiate at 2, 4, and 8 Gbps. The 4-Gbps SFPs auto-negotiate at 1, 2, and 4 Gbps.

- Port-side exhaust kit (standard), which directs the exhaust airflow to the cabinet service aisle
- All blades are serviced from the port side of the SAN384B. Blowers, power supplies, and power cables are serviced from the nonport side
- World Wide Name (WWN) cards on the nonport side, with WWN status LEDs located under the bezel

- Improved cable management using two vertical cable management finger assemblies
- Constant intake and FRU temperature monitoring
- Redundant AC primary power connections to ensure high availability. Each power supply has its own connector

**Note:** Airflow in the SAN384B is from the non-port (non-cable) side to the left side of the chassis. With the port-side exhaust kit installed (see Figure 2 on page 4, the air flows out the vent on the port side of the chassis.

Figure 1 shows a sample configuration of the port side of the SAN384B with four FC8-48 port blades installed.

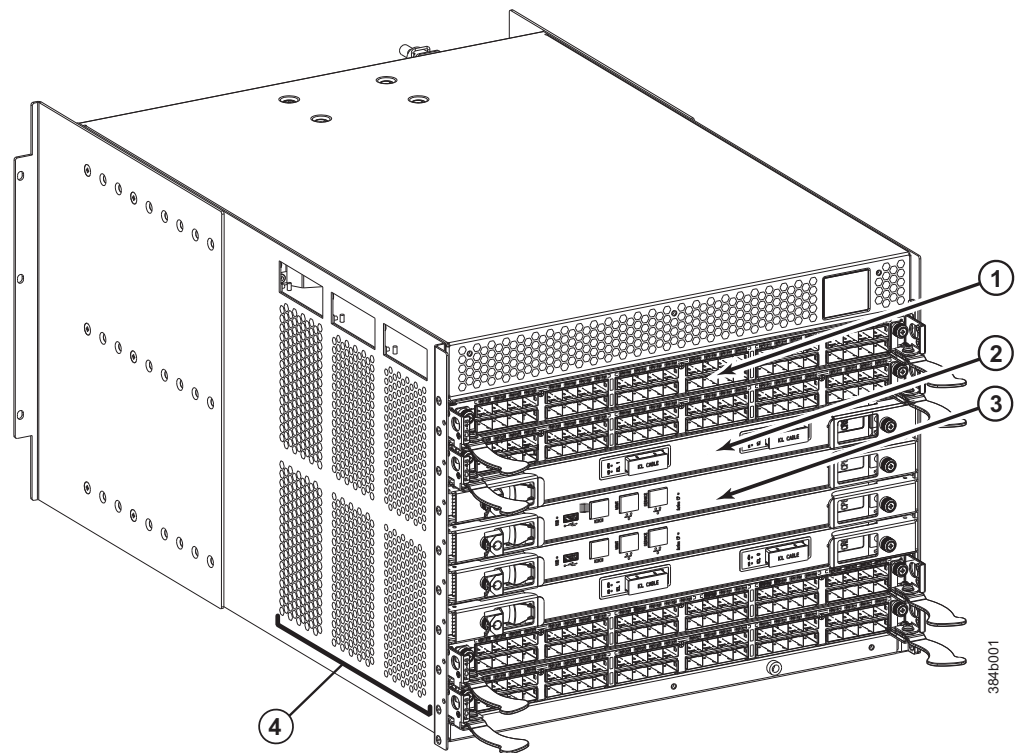


Figure 1. Port side of the SAN384B (sample configuration)

- |          |                                 |          |                                    |
|----------|---------------------------------|----------|------------------------------------|
| <b>1</b> | FC8-48 port blade (example, 4x) | <b>3</b> | Control processor blade (CP8) (2x) |
| <b>2</b> | Core switch blade (CR4S-8) (2x) | <b>4</b> | Exhaust vent                       |

Figure 2 on page 4 shows the SAN384B with the port-side exhaust kit installed over the chassis exhaust vent (sample configuration). The exhaust is routed from the chassis exhaust vent through the port-side exhaust kit. The exhaust exits through the vent grill below the chassis.

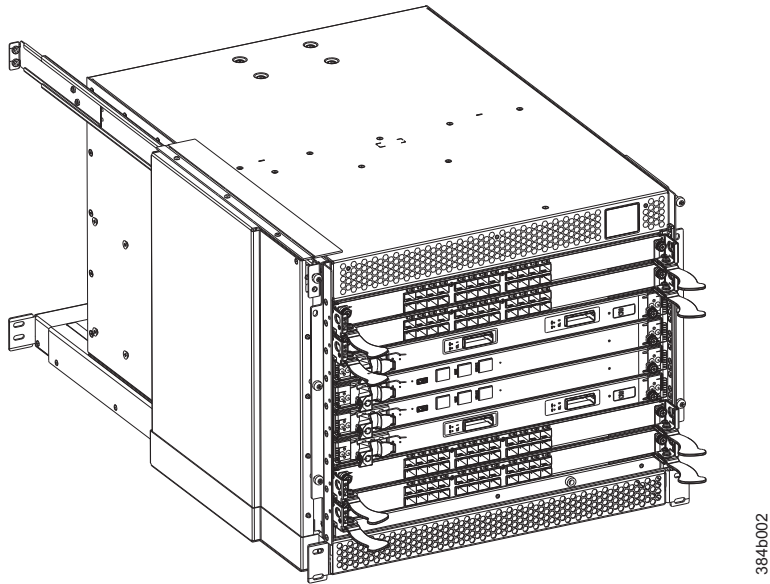


Figure 2. Port side of the SAN384B with the exhaust kit installed (sample configuration)

Figure 3 shows the non-port side of the SAN384B.

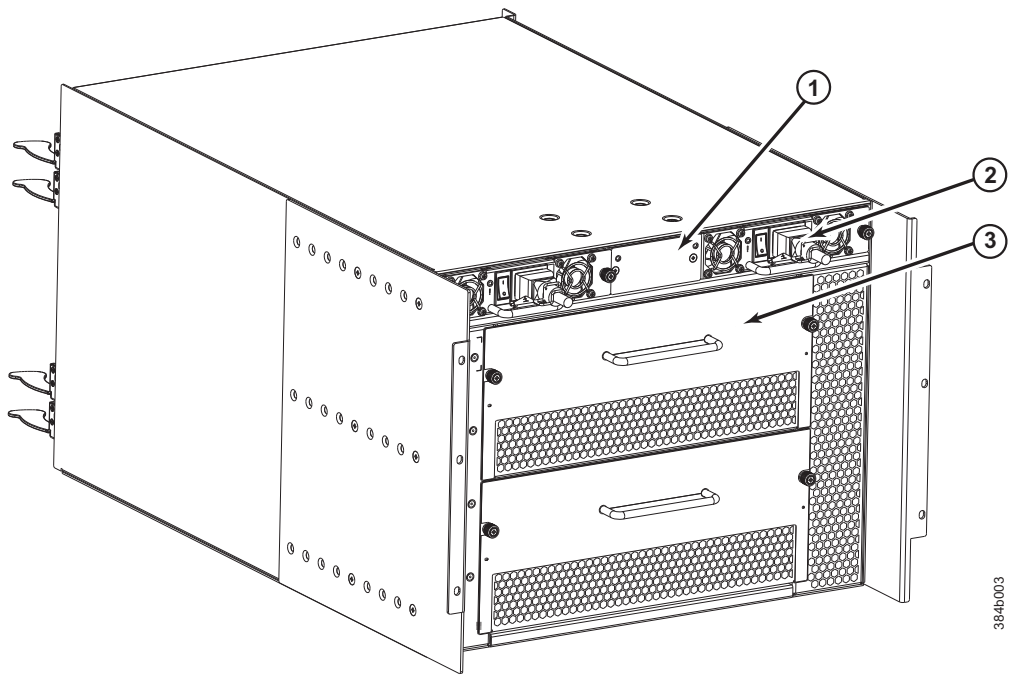


Figure 3. Blower (non-port) side of the SAN384B

- |   |                                      |
|---|--------------------------------------|
| <p><b>1</b> WWN bezel</p> <p><b>2</b> Power supply (2x)</p> | <p><b>3</b> Blower assembly (2x)</p> |
|---|--------------------------------------|



## SAN384B blades

Table 2 summarizes the port, application, control processor, and core switch blades that are available for the SAN384B.

Table 2. Blades available for the SAN384B

Description	Feature Code	Name	Function
Control processor blade	N/A	CP8	The CP8 blade contains the control plane for the chassis. There are two CP8 blades for redundancy. This control processor blade is compatible with the SAN768B and SAN384B.
Core switch blade	N/A	CR4S-8	The CR4S-8 blade contains the ASICs for switching between port blades. Every port blade connects to each core switch blade. There can be up to 256 total ports for port blades. Each core switch blade connects to 128 backplane ports. Core switch blades have additional front port connectivity to connect multiple chassis and backplane connections for the storage server blade. This core switch blade is compatible only with the SAN384B.
16-port 8-Gbps port blade	FC3816	FC8-16	A 16-port blade supporting 1-, 2-, 4-, and 8-Gbps port speeds.
32-port 8-Gbps port blade	FC3832	FC8-32	A 32-port blade supporting 1-, 2-, 4-, and 8-Gbps port speeds.
48-port 8-Gbps port blade	FC3848	FC8-48	A 48-port blade supporting 1-, 2-, 4-, and 8-Gbps port speeds.

Table 2. Blades available for the SAN384B (continued)

Description	Feature Code	Name	Function
64-port 8-Gbps port blade	FC3864	FC8-64	A 64-port port blade supporting 2, 4, and 8 Gbps port speeds. This blade cannot be used in the same chassis with an FCOE10-24 blade.
6-port 10-Gbps port blade	FC3870	FC10-6	A 6-port blade supporting 10-Gbps port speed. Blade provides 10-Gbps ISLs.
Fibre Channel router blade	FC3850	FR4-18i	The FR4-18i blade has 16 4-Gbps physical Fibre Channel SFP ports supporting Fibre Channel Routing Services and two physical Gigabit Ethernet (GbE) SFP ports supporting Fibre Channel Over IP (FCIP). The two physical GbE ports can support up to 16 virtual E_ports.
FCIP extension blade	FC3890	FX8-24	The FX8-24 blade enables FCIP functionality over existing IP infrastructure. It has twelve FC ports, ten 1 GbE ports, and two 10 GbE ports available.
Fibre Channel over Ethernet blade	FC3880	FCOE10-24	The FCOE10-24 blade enables FCoE functionality over existing Ethernet infrastructure utilizing CEE protocols. It has twenty-four 10 GbE ports available. This blade cannot be used in the same chassis with an FC8-64 high density port blade or the FR4-18i or FX8-24 application blades.

---

## High availability

The following features contribute to the SAN384B's high-availability design:

- Redundant, hot-swappable blades and FRUs
- Enhanced data integrity on all data paths
- Fabric Shortest Path First (FSPF) rerouting around failed links
- Integration with Simple Network Management Protocol (SNMP) managers
- Automatic control processor failover
- Nondisruptive "hot" software code loads and activation
- Easy configuration, save, and restore
- Hot-swappable World Wide Name (WWN) cards

The high-availability software architecture of the SAN384B provides a common framework for all applications that reside on the system, allowing global and local status to be maintained through any component failure. High-availability elements consist of the High Availability Manager, the heartbeat, the fault/health framework, the replicated database, initialization, and software upgrade.

The High Availability Manager controls access to the standby control processor, facilitates software upgrades, prevents extraneous switchover activity, closes and flushes streams, provides flow control and message buffering, and supports a centralized active and standby state.

---

## Reliability

The SAN384B uses the following error detection and correction mechanisms to ensure reliability of data:

- Error Detection and Fault Isolation (EDFI) mechanism, which checks for encoder errors and fault isolation, such as cyclic redundancy checking (CRC), parity checking, checksum, and illegal address checking.
- Power-on self test (POST)
- Dual control processors that enable hot, nondisruptive fast firmware upgrades
- Each control processor contains one serial port and two Ethernet ports, for management and for service. Offline control processor diagnostics and remote diagnostics simplify troubleshooting. The standby control processor monitors diagnostics to ensure it is operational, should a failover be necessary
- Bus monitoring and control of blades and other field-replaceable units (FRUs).

---

## Serviceability

The SAN384B provides the following features to enhance and ensure serviceability:

- Modular design with hot-swappable components
- Flash memory that stores two firmware images per control processor
- USB port on control processor blades for all tasks that formerly required an FTP/SCP server, including software and firmware upgrades
- Nonvolatile random-access memory (NVRAM), containing the OEM serial number, IBM serial number, revision information, and part number information
- Background health-check daemon
- Memory scrubber, self test, and bus ping to determine if a bus is not functioning
- RASlog messages

- SMI-S compliant
- Watchdog timers
- Status LEDs
- Predictive diagnostics analysis through Fabric Watch
- SNMP (including version 3) integration with higher-layer managers
- Vertical cable management finger assemblies to accommodate the horizontal orientation of the blades

---

## Software features

The Fabric OS allows any Fibre Channel-compliant device to attach to the switches as long as it conforms to the device login, name service, and related Fibre Channel standards. Each operating environment requires that a Fibre Channel host bus adapter (HBA) be available with a standards-compliant driver for correct interface to the fabric.

Fabric OS consists of a set of embedded applications running on top of an embedded Linux<sup>®</sup> operating system kernel. These applications include:

- Name server
- Alias server
- Zone server
- Simple Network Management Protocol (SNMP) agent
- SMI-S compliant API
- Syslog auditing
- RCS (Reliable Commit Service)
- NTP
- Tasks to manage address assignment, routing, link initialization, fabric initialization, link shutdown, SAN384B shutdown, and the user interface.
- Integrated Routing (optional feature)—This feature allows any port in a SAN384B, SAN80B-4, and SAN40B-4 to be configured as an EX\_port supporting Fibre Channel (FC) routing. This eliminates the need to add a routing blade or use of the SAN18B-R for FC routing (FCR) purposes, and this also provides double the bandwidth for each FC router connection when connected to another 8 Gbps-capable port.
- FICON<sup>®</sup> Accelerator (optional feature), which is designed to support secure high-speed data movement between multiple locations

## Security

Table 3 highlights some of the key security features available for the SAN384B and for other switches running Fabric OS 5.2.0 or later.

*Table 3. Security features*

Security features	Description
DH-CHAP	Login banner
SSHv2 (using AES, 3DES, RSA)	Monitoring of attempted security breaches (through audit logging)
HTTPS (using AES)	Monitoring of attempted security breaches (through Fabric Watch Security Class)
SNMPv3	Fibre Channel security policies: DCC and SCC

Table 3. Security features (continued)

Security features	Description
FC-SP	Trusted Switch (FCS) for central security management
Secure RPC	Management access controls (SNMPv3, Telnet, FTP, serial port, front panel)
Secure file copy (SCP)	Hardware-enforced zoning by WWN and/or domain/port ID
Telnet disable	Default zoning
Telnet timeout	RSCN suppression and aggregation
IP filters (block listeners)	Configurable RSCN suppression by port
Secure passwords (centralized control via RADIUS/CHAP)	NTPv3 (to synchronize timestamps)
Up to 255 multiple user accounts (MUAs).	Event auditing
Role-based access controls (RBACs)	Change tracking
Administrative domains/Virtual fabrics	Firmware change alerts in Fabric Manager
Boot PROM password reset	Persistent port disable
Password hardening policies	Persistent domain ID
Upfront login in Web Tools	E_port disable

## Network Manageability

The SAN384B has a single domain and is managed as a single element with the Data Center Fabric Manager or Web Tools. The SAN384B responds to its own IP address and appears as a separate entity to the Telnet protocol and SNMP.

All management interfaces, such as Telnet, Web Tools, standards compliant SMI-S, and Management Server, support a "port N within blade M" naming scheme.

The SAN384B supports SNMPv1 and SNMPv3. When SNMP devices send SNMP messages to a management console running SAN management software, the information is stored in a management information base (MIB). Fabric OS v6.2 and later supports the latest Fibre Alliance Fibre Channel Management (FCMGMT) and Storage Management Initiative (SMI) MIBs, which allow common information necessary for management software to provide information to a SAN administrator.

**Note:** Refer to the *Fabric OS MIB Reference* for additional MIB information.



---

## Chapter 2. Installing a SAN384B in a cabinet

The SAN384B is only available for installation in the IBM TotalStorage® 2109 SAN Switch Cabinet C36. This product is to be installed and serviced only by qualified IBM service representatives. The SAN384B can be ordered pre-installed in the cabinet, or it can be added to an existing C36 cabinet. The cabinet is designed to support a total of three SAN384Bs. Each installation of the SAN384B requires the port-side exhaust vent kit, which directs the exhaust to the service aisle and also serves as the rack installation kit. If three SAN384B products are ordered, two will be pre-installed in the C36 cabinet, and the third will be installed in the cabinet at the customer site.

This chapter describes how to install a SAN384B into a C36 cabinet, and how to remove the SAN384B from the cabinet in the event you need to move or replace the SAN384B. If all SAN384B units are already installed in the cabinet, continue on to Chapter 3, “Starting and configuring the SAN384B,” on page 33. The installation requires a minimum of two people for a safe installation.

**Attention:** Refer to “Safety notices” on page xiii for general safety instructions “Safety notices and labels” on page xiii, and “Rack safety” on page xix before performing any installation or service procedures.



**CAUTION:**

The weight of this part or unit is more than 55 kg (121.2 lb). It takes specially trained persons with a lifting device to safely lift this part or unit. (C011)

**CAUTION:**

A fully populated SAN384B weighs approximately 68 kg (150 lb). Before you install it, verify that the additional weight of the chassis does not exceed the cabinet's weight limit or unbalance the cabinet. When you calculate the additional weight, include the weights of all components that can potentially be added, to avoid overloading in the future.

**CAUTION:**

For CA residents only: IBM recommends installing this product in a room size of 62 cubic meters (2190 cubic feet) or larger at 0.4 ACH ventilation rate to reduce the concentrations of any chemicals emitted by the product.

---

## Ordering the lift tool

**Important**

The lift tool is required only when you install an additional SAN384B or when you install or remove the SAN384B from the cabinet. Ensure that the lift tool will be available on location at the time of the installation.

The ordering procedures for the lift tool vary depending on your location. You should direct questions about these procedures to your regional representative.

## World trade locations

The following ordering procedures are for world trade locations:

- Order the lift tool by using the parts order system, like any other part.
- Use the following part numbers when you order:
  - Lift tool: PN 09P2481
  - 24-inch load plate: PN 11P4369
- You do not record parts usage.
- Return the lift tool and the 24-inch load plate to the parts center after you complete the installation or removal of the SAN384B.

## United States locations

In the United States, call UPS Logistics at 800-528-6070 to order the lift tool and the 24-inch load plate.

**Note:** For the SSR branch and territory, the United States cannot order the lift tool or 24-inch load plate through the parts order system. UPS Logistics are used to ship and return the lift tool and 24-inch load plate.

Use the following part numbers when you order:

- Lift tool: PN 09P2481
- 24-inch load plate: PN 11P4369

**Attention:** When you order the lift tool, you will receive an 18-inch load plate. Do not use the 18-inch load plate. You *must* order and use a 24-inch load plate when you install the SAN384B to be able to safely install this product. The 24-inch load plate includes a platform with a middle section that can slide out to extend across the gap between the lift tool and the mounting position inside the C36 cabinet.

You must provide the following information when you order the lift tool. This information is necessary to ensure that the lift tool is delivered when you need it. Failure to provide this information might delay the completion of the order request and the shipping request. It might also result in a time and date to return the tool that is different from what you need.

- Phone number and customer contact
- Account code: 98577
- Time and date of delivery
- Accurate destination address with zip code
- Time and date of return pickup

You must return the lift tool at the time that was scheduled with UPS Logistics. If you need to change the scheduled return time or date, contact UPS Logistics.

You are responsible for ensuring that all of the paperwork and components are packed and restored in the arbocrate (shipping container) of the lift tool. Ensure that the lift tool is functioning properly before you release the tool to UPS Logistics for return. You are accountable for the lift tool until UPS Logistics picks up the lift tool for return delivery to their parts storage facility.

Contact your branch office tools coordinator or your region specialist if you have any questions or concerns.



---

## Installation guidelines

Follow these general installation guidelines:

1. Provide a space that is 9 rack units (9U) high, 61.19 cm (24.09 in.) deep, and 43.74 cm (17.22 in.) wide. 1U is equal to 4.45 cm (1.75 in.).
2. Ensure that dedicated electrical branch circuits with the following requirements are met:
  - 200 – 240 VAC, 50–60 Hz (two branch circuits)
  - Two cables for the 200 - 240 VAC service
  - Power supply standards (“Power specifications”) are met
  - Protected by a circuit breaker in accordance with local electrical codes
  - Supply circuit, line fusing, and wire size adequate to the electrical rating on the chassis nameplate
  - Location close to the chassis and easily accessible
  - Grounded outlets installed by a licensed electrician and compatible with the power cords

**Attention:** To maximize fault tolerance, connect each power cord to a separate power source.
3. To ensure adequate cooling, plan to install the chassis with the port side facing the aisle where exhaust air is released (usually called the service aisle). This prevents the fans from pulling in heated exhaust air.
4. Plan for managing the cables before you install the chassis. A fully populated SAN384B will have a large number of cables that must be carefully routed to minimize problems with installation and replacement of components, and in order to maintain the minimum bend radius required for optical cables. Due to port density and the potentially large number of cables, if cables are not routed to the sides, then removal and replacement of blades and other components may be difficult to accomplish. Refer to “Managing cables” on page 42 for more specific information. You can manage the cables in a variety of ways, such as:
  - Routing the cables through the vertical cable management finger assemblies installed on either side of the chassis
  - Routing the cables out to either side of the chassis
  - Routing the cables through the cable channels on the sides of the cabinet
  - Using patch panels
5. Ensure that the following are available for configuration:
  - Workstation with an installed terminal emulator, such as HyperTerminal
  - Serial cable (provided)
  - Three Ethernet cables (including one spare)
  - Access to an FTP server for backing up the switch configuration or collecting supportsave output data (optional)
  - SFPs and compatible cables
6. Ensure that the air intake vents have a minimum of 2 inches of airspace.
7. Ensure that the air temperature on the air intake side is less than 40°C (104°F ) during operation.

## Installing a SAN384B in a 2109 C36 cabinet

This section describes how to install the SAN384B in the Model C36 cabinet. These procedures use parts that are included in the hardware accessory kit and the port-side exhaust kit, which also functions as a lower supporting shelf. No rack-mount rail kit is required for this installation.

To safely complete the installation, a minimum of two people are required.

### Time required

Allow approximately 3 hours to complete this entire procedure. This total includes unpacking, assembling, disassembling, and repacking the lift tool. The time estimate is for the physical installation of the SAN384B only. It does not include installing Ethernet cables, transceivers, attaching and routing the fiber optic cables, or completing the initial configuration.

The SAN384B and the lift tool should be delivered to a location near to the final installation, with clear aisles for maneuvering the lift tool loaded with the chassis. Since the lift tool can be used to move the chassis the short distance from the delivery location to the installation, it is recommended that you assemble the lift tool before starting the installation steps.

**Note:** Brief assembly instructions for the lift tool are attached to the back of the lift tool. Additional instructions are included below in “Unpacking and assembling the lift tool” on page 15.

Table 4 provides a summary of time estimates for the different installation tasks and the tools required for each task.

*Table 4. Installation tasks, time, and items required*

Installation task	Time estimate	Items required
Unpacking and assembling the lift tool	15 minutes	No special tools required.
Site preparation and unpacking the SAN384B	30 minutes	#2 Phillips screwdriver (for cable management comb) Pallet jack (if the shipment has not been positioned near the installation site)
Installing the port-side exhaust kit	15 minutes	Torque wrench with #2 Phillips screwdriver tip Flathead screwdriver
Mounting and securing the SAN384B in the rack	15 minutes	Torque wrench with #2 Phillips screwdriver tip Lift tool and load plate
Installing power cables and powering on the SAN384B	20 minutes	Power cables
Establishing serial connection, logging on to the SAN384B, and configuring IP addresses.	20 minutes	Serial cable (provided in the accessory kit). Workstation computer with a serial port or terminal server port and a terminal emulator application (such as HyperTerminal). Ethernet IP addresses for the switch.

Table 4. Installation tasks, time, and items required (continued)

Installation task	Time estimate	Items required
Installing an Ethernet cable, opening a Telnet session, and configuring the SAN384 B domain ID, date and time, and additional system parameters. Verifying and backing up the configuration.	20 minutes	Ethernet cable for Telnet access. Refer to the <i>Fabric OS Administrator's Guide</i> .
Installing SFP, SFP+, mSFP, and XFP (10-Gbps) optical transceivers as needed	15-30 minutes (depending on port blades installed)	Optical transceivers.
Attaching fiber optic cables, cable wraps, and cable guides	2-3 hours	Fiber optic cables and cable wraps.
Disassembling and packing the lift tool	20 minutes	No special tools required.

## Unpacking and assembling the lift tool

Assembling the lift tool before starting the installation will simplify the installation.

The lift tool consists of several parts, including:

- The fully assembled main vertical section of the lift tool with wheels, wheel lock, cables and winch attached
- Attachable lift forks, which slide onto the front of the lift tool and are secured in place by spring-loaded pins and ring pins
- 24-inch load plate with sliding middle section (ordered separately to use in place of the 18-inch solid single-piece load plate)
- Anti-tip bars
- Retention straps
- Wheel chocks

Assembly instructions are attached to the back of the main vertical section of the lift tool. The following supplemental information may help with the assembly.

1. With one person at either end, lift the main section of the lift tool out of the shipping crate.
2. Review the assembly instructions attached to the back of the lift tool, if necessary.
3. With the lift tool still horizontal, insert the two legs with caster wheels into the holes in the front of the lift tool.
4. Pull up on the spring-loaded leg lock pins, sliding the legs in until the pins snap into place through the holes in the legs, securing them in place.
5. Tilt the lift tool upright, resting on all four wheels. Set the wheel brake, if desired, by stepping down on the brake pedal. (Note the brake release on the left side of the brake pedal.)
6. Attach the two forks to the lift tool, sliding the two holes in each over the ends of the two bars. If the winch is in the lowest position, you may need to raise it to provide enough clearance to slide the forks into position. Secure each lifting fork in place with two ring-pins.

7. Attach the 24-inch load plate, by slipping the top curved portion under the horizontal bar, and resting the load plate on the forks.
8. Attach the anti-tip bars (recommended to provide additional stability when the loaded lift tool is raised more than 45 cm (18 in) high). Install these from the rear of the lift tool, by sliding them inside the horizontal legs, pulling up on the leg lock pins to allow the pins to engage the holes in the legs and the anti-tip bars.
9. Secure the anti-tip brackets to the lift tool with the supplied brackets and bolts.
10. The lift plate has a middle section that can be extended to the right (when viewed from the back of the lift tool). This middle section is secured in place by two spring-loaded pins. Familiarize yourself with releasing the pins and sliding this section. There are two stops: half-way extended and fully extended. This middle section will need to be fully extended during the installation to safely span the gap between the lift tool and the cabinet mounting position.
11. Move the assembled lift tool and retention straps near the equipment to be installed. Figure 4 shows the assembled lift tool with the 24-inch load plate installed.



Figure 4. Assembled lift tool with 24-inch load plate

## Unpacking the SAN384B



### CAUTION:

The weight of this part or unit is more than 55 kg (121.2 lb). It takes specially trained persons with a lifting device to safely lift this part or unit. (C011)

To unpack the SAN384B, follow these steps:



10. Attach the lift tool retention straps to secure the chassis to the load plate. This is particularly important if you will be moving the chassis across any uneven floor, or will be raising the chassis more than 45 cm (18 inches).
11. For safety considerations during moving, lower the load platform to its lowest position.
12. Release the lift tool brake, and carefully move the chassis near the cabinet for installation.

## Installing the port-side exhaust kit

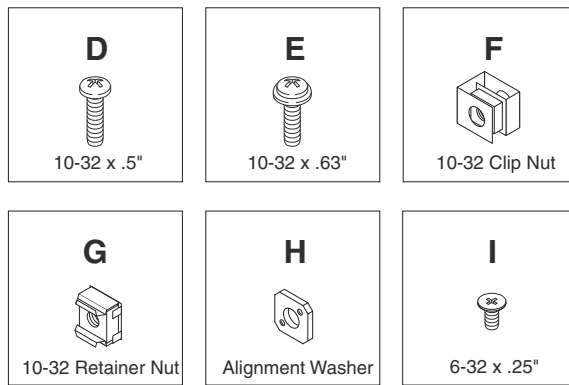
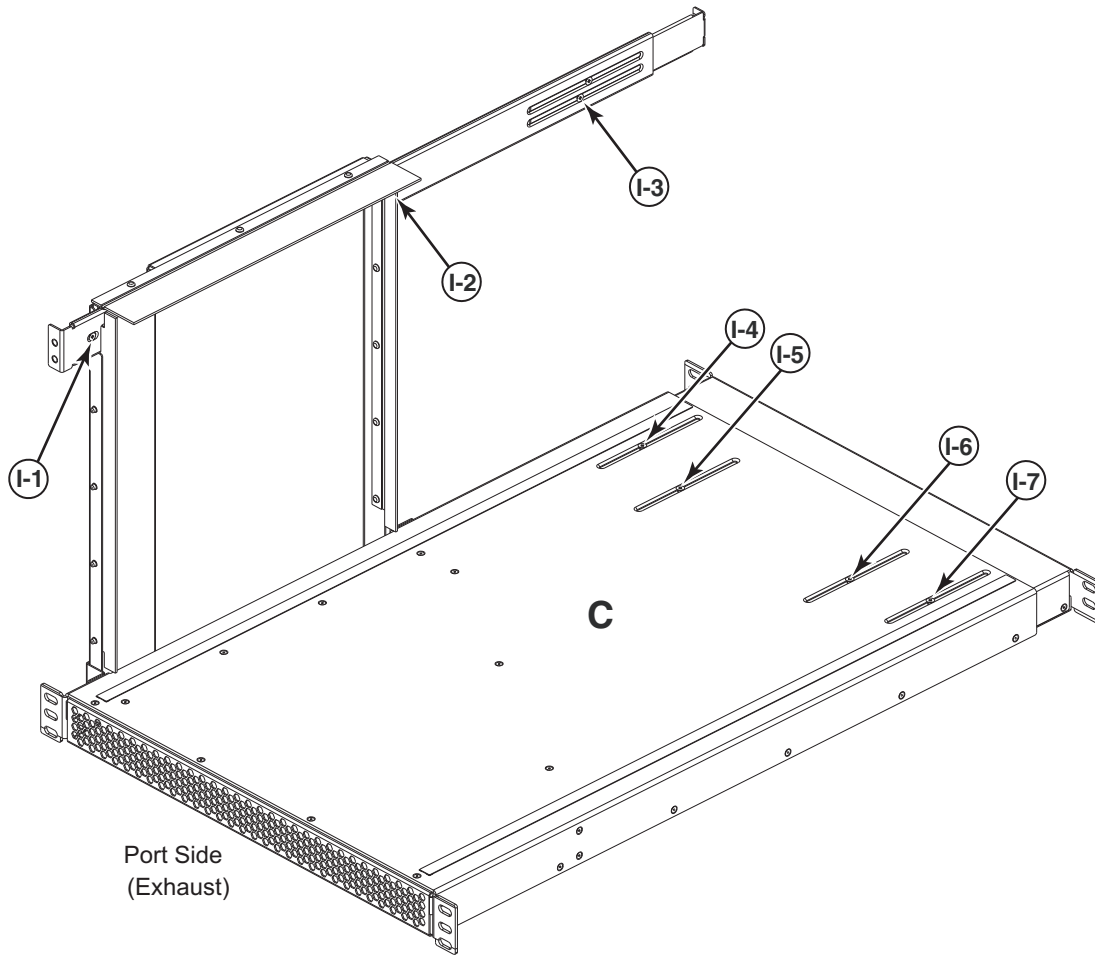
Complete the following instructions to install the port-side exhaust kit in a 2109-C36 cabinet before installing the SAN384B chassis.

### Exhaust kit parts list

Table 5 lists items illustrated in Figure 6 on page 19.

*Table 5. Parts list for port-side exhaust kit for C36 cabinets*

Item	Description	Quantity
A	Top rail	1
B	Duct	1
C	Shelf	1
D	10-32 x .5 in. (1.27 cm) Phillips screw (blue Loctite on threads)	12
E	10-32 x .63 in. (1.60 cm) Phillips screw with square cone washer	12
F	10-32 clip nut for cabinets that have rails with round holes	8
G	10-32 retainer nut for cabinets that have rails with square holes	8
H	Alignment washer for cabinets that have rails with square holes	12
I	6-32 x .25 in. (.635 cm) Phillips screw	2



3846032

Figure 6. Port-side exhaust kit assembly for 27 to 31 in. (68.58 to 78.74 cm) cabinets

## Torque requirements

Use the following torque settings when tightening screws that secure the port-side exhaust kit and SAN384B to the equipment cabinet.

Table 6. Torque requirements for mounting screws

Screw size	Torque
6-32 x .25 in. (.635 cm) Phillips screw	8.75 in.-lbs (10 cm-kg)
10-32 x .63 in.(1.60 cm) Phillips screw	32 in.-lbs (36.86 cm-kg)

## Installing the exhaust kit hardware

1. Remove the rear door (exhaust side) from the C36 cabinet. Set the door aside, away from the installation.
2. The exhaust side of the port side exhaust kit will be installed facing the rear of the C36 cabinet, and the port side of the SAN384B chassis will also face this direction.
3. Install 10 clip nuts (F in Figure 6 on page 19) or retainer nuts (G) in the rear vertical cabinet rail locations shown in Figure 7 on page 21, and 4 clip nuts or retainer nuts in the front vertical cabinet rails. Eight clip nuts and retainer nuts are provided with the exhaust kit, and six are provided with the hardware accessory kit. Install the lower two nuts at the same relative locations on all four cabinet vertical rails, to provide a level mounting of the shelf. The fourteen nuts will secure the eight 10-32 screws that mount the port side exhaust kit shelf (position 23 in Figure 7 on page 21) and the six that are used to attach the SAN384B chassis to the cabinet (positions 25, 28, and 30 in Figure 7 on page 21).

**Note:** For rails with round holes, use clip nuts. For rails with square holes, use retainer nuts. Figure 7 on page 21 is only an example showing relative positions for these nuts in the cabinet rails to mount the shelf and chassis. You can mount the shelf and chassis in 9 U of cabinet space higher or lower in the cabinet than shown.

**Note:** Screws, clip nuts, and retainer nuts for attaching the SAN384B to the cabinet are provided in the SAN384B hardware accessory kit.



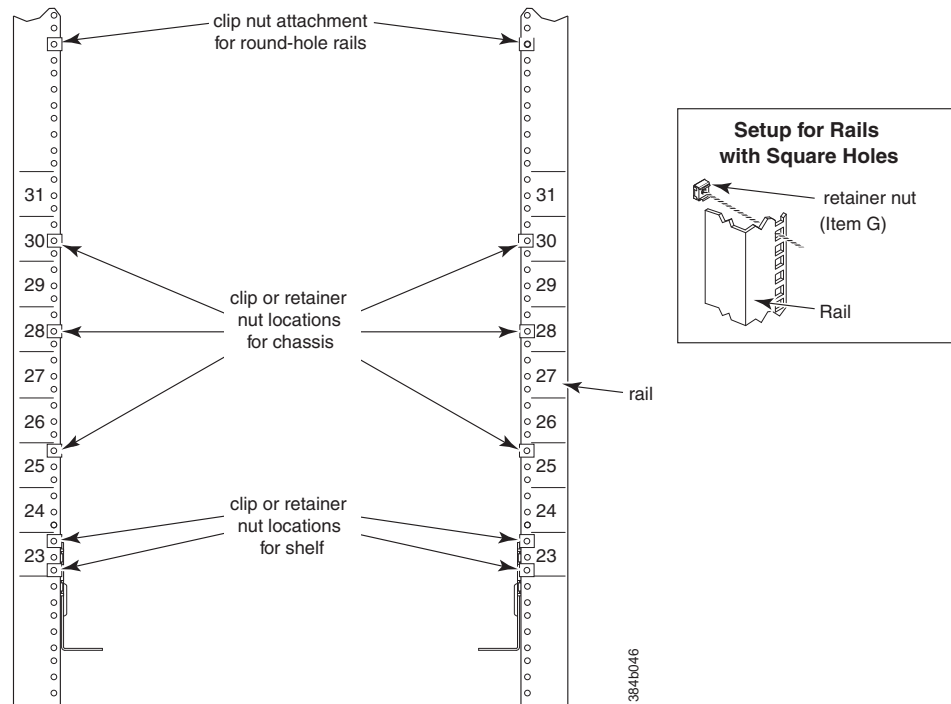


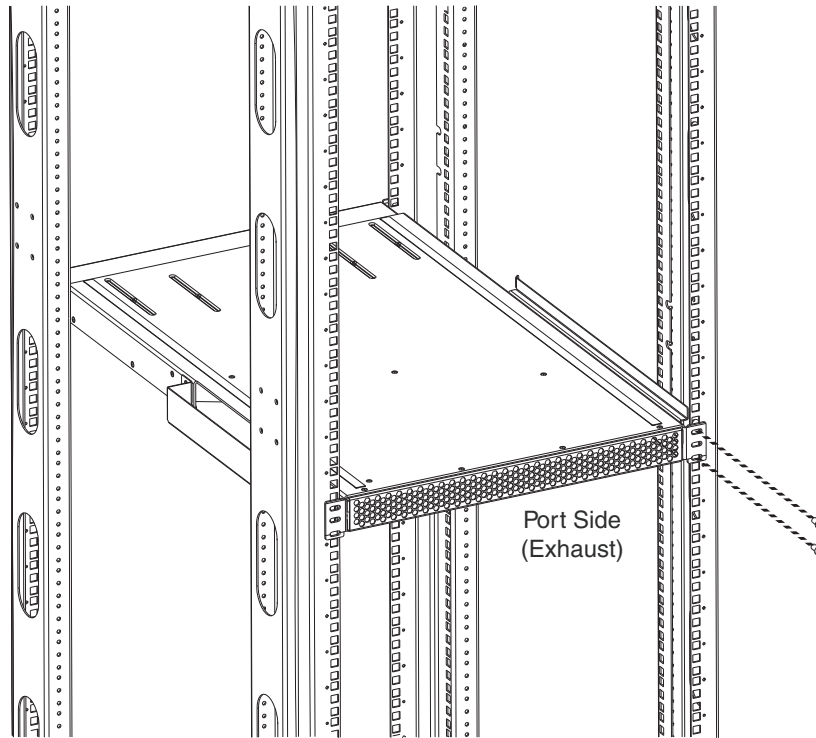
Figure 7. Clip and retainer nut locations on exhaust side cabinet rails (example showing relative positions)

4. Install the shelf (C in Figure 6 on page 19), using these steps:

- a. The shelf can be adjusted to a length of between 27 and 31 inches (68.58 and 78.74 cm) to match the cabinet size. To lengthen or shorten the shelf, loosen by approximately 1/2 turn the four 6-32 screws in the four slots on the shelf (I-4 through I-7 Figure 6 on page 19) and adjust the shelf to the desired length.

**Note:** We recommend two people for the installation of the shelf, one at either end of the cabinet to support and align it correctly while attaching it to the cabinet.

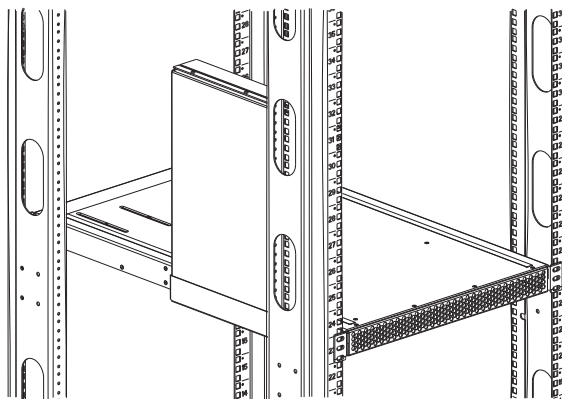
- b. Tilt the shelf at an angle to fit it between the rails, and then position it horizontally and level with the shelf mounting tabs on the outside of the cabinet vertical rails, and aligned with the clip nuts you installed earlier.
- c. Secure the shelf to the cabinet with eight 10-32 screws with washers (E in Figure 6 on page 19), two screws in each corner of the shelf (see Figure 8 on page 22). Tighten screws according to specifications under "Torque requirements" on page 20.



384b034

Figure 8. Shelf installed in cabinet

- d. Tighten the four 6-32 screws on the top of the shelf, which were loosened to adjust the shelf length.
5. Install the air-duct assembly (B in Figure 6 on page 19) by inserting it down into the side slot on left side of the shelf (see Figure 9). Ensure that the tabs of the duct align and engage with the slots in the shelf, with the open side of the duct facing towards the center of the cabinet.



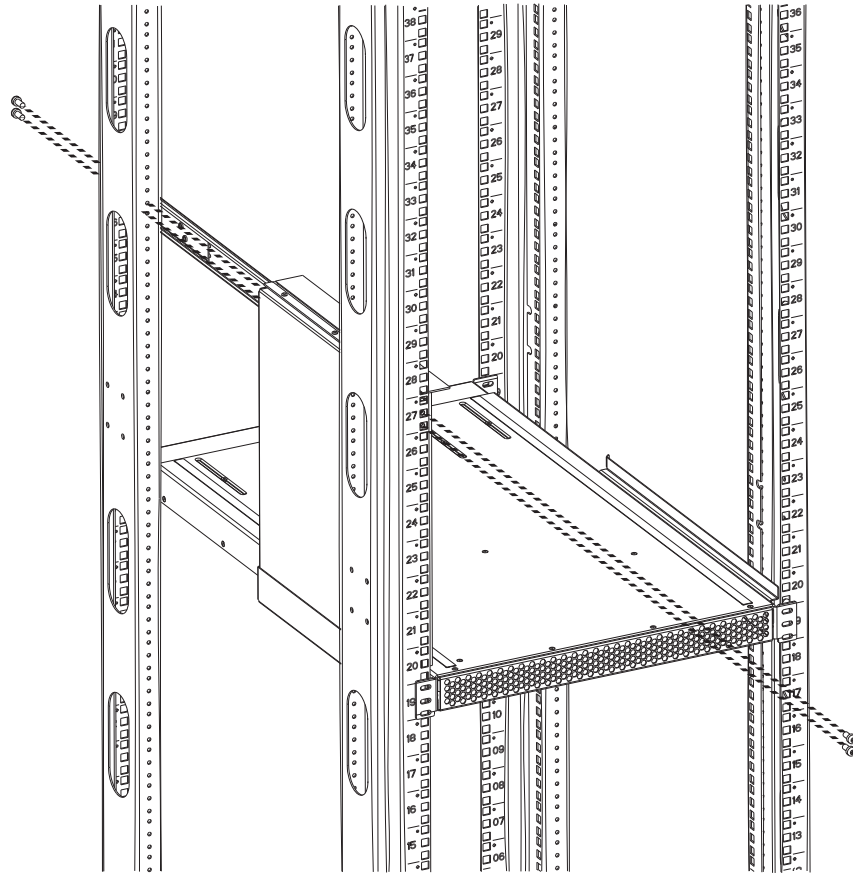
384b036

Figure 9. Air duct installed into side slot in shelf

6. Attach the top-rail assembly (A in Figure 6 on page 19) to the air-duct assembly.
  - a. The top-rail assembly can be adjusted to a length of between 27 and 31 inches (68.58 to 78.74 cm) to fit on the *inside* of the cabinet rails. To lengthen or shorten the top-rail assembly, loosen, by approximately 1/2 turn, the two

6-32 screws (I-3 in Figure 6 on page 19) and adjust the top-rail assembly to the desired length. The length will be approximately the length of the adjustable shelf.

- b. Insert the top-rail assembly down into the air-duct assembly and then secure the top-rail assembly to the air-duct assembly with two 6-32 screws, one screw on each side of the air-duct assembly (I-1 and I-2 in Figure 6 on page 19). Tighten screws according to specifications under "Torque requirements" on page 20.
7. Secure the top-rail assembly to the cabinet with four 10-32 screws, two screws on each end of the top-rail assembly (see Figure 10).



384b037

Figure 10. Installing the top rail assembly to the duct assembly and cabinet rails

- a. For rails with round holes:  
Use two 10-32 screws with washers (E in Figure 6 on page 19) on each end of the top rail assembly. Tighten screws according to specifications under "Torque requirements" on page 20.
  - b. For rails with square holes:  
Use the two standard 10-32 screws (D in Figure 6 on page 19) with blue Loctite on the threads and alignment washers (H in Figure 6 on page 19) on each end of the top rail assembly. Tighten screws according to specifications under "Torque requirements" on page 20.
8. Tighten the two 6-32 screws (I-3 in Figure 6 on page 19) that were loosened in step 6a to adjust the top rail length.

## Installing the SAN384B into the cabinet



**CAUTION:**

A fully populated SAN384B weighs approximately 68 kg (150 lb) and requires a minimum of two people and a lift tool to install it. (C011)

Now that the port-side exhaust kit is securely installed, the SAN384B chassis can be safely installed into the C36 cabinet. Perform the following steps to install the chassis.

**Note:** The cabinet should already be fully installed, with leveling legs lowered to prevent it from moving during the chassis installation.

1. Move the lift tool to a position as close as possible to the rear of the cabinet. Position the lift tool so that the blower assemblies are facing towards the inside of the cabinet and the port side of the chassis facing away from the cabinet (see Figure 11).



Figure 11. Lift tool and chassis positioned at rear of cabinet

2. Set the wheel brake by pressing down on the wheel brake pedal.
3. Remove the lift tool retention straps from the chassis and the lift tool.
4. Carefully center the chassis over the middle section of the lift tool load plate.
5. Turn the lift tool winch handle clockwise to raise the load plate and chassis to approximately 2 cm (3/4 in.) above the height of the port side exhaust kit shelf.
6. Rotate the winch handle 1/4 turn counter clockwise to lock the winch.

7. Release the two spring-loaded pins on the under side of the load plate and slide the middle section as far as possible into the cabinet until it stops. The chassis should not move with the middle section.

**Note:** If the chassis is not carefully centered over the middle section, the weight of the chassis may prevent the middle section from sliding. Adjust the alignment if needed.

8. Release the spring-loaded pin closest to the cabinet one more time, and slide the middle section to its full extension. Make sure the spring-loaded pin snaps back into place. The gap between the end of the load plate middle section and the port side exhaust kit shelf should be no more than 2.5 cm (1 in.). If the gap is larger than this, either the lift tool is not positioned close enough to the cabinet, or the load plate middle section is not fully extended. Adjust as needed. Figure 12 shows a view from inside the cabinet, with the middle section of the lift tool load plate extended, and the chassis centered on the load plate.



*Figure 12. Load plate extended inside the cabinet to the exhaust kit shelf*

9. Carefully slide the chassis into the cabinet between the shelf and the upper edge of the exhaust kit duct assembly until the chassis rests securely on the shelf. Figure 13 on page 26 shows a view from outside the cabinet with the middle of the load plate fully extended and the chassis pushed approximately half way into the cabinet. Reposition the nut clips installed earlier if necessary. Push the chassis all the way into the cabinet until the flanges on the port side of the chassis are firmly against the cabinet vertical rails.

**Note:** If necessary, adjust the height of the load plate to allow a smooth transfer of the chassis from the extended load plate to the top of the shelf.



Figure 13. Chassis half way into cabinet on load plate

**Note:** For rails with round holes, use the clip nuts (F in Figure 6 on page 19) on the rails for securing the 10-32 screws. For rails with square holes, use the retainer nuts (G Figure 6 on page 19). Also refer to Figure 7 on page 21.

10. Release the spring-loaded pins under the load plate, and slide the middle section of the load plate back into load plate.
11. Lower the lift plate to its lowest position, release the wheel brake on the lift tool, and move the lift tool away from the cabinet.
12. If necessary, adjust the rubber strips on the exhaust kit duct to ensure a good seal against the chassis.
13. The chassis will be secured to the cabinet with six 10-32 screws with washers (see Figure 14 on page 27). Four of these screws will also be used to attach the cable management finger assemblies. Do not install the screws until you determine the position of the cable management fingers.

**Note:** Screws, clip nuts, and retainer nuts to secure the chassis to the cabinet are provided in the SAN384B hardware accessory kit.

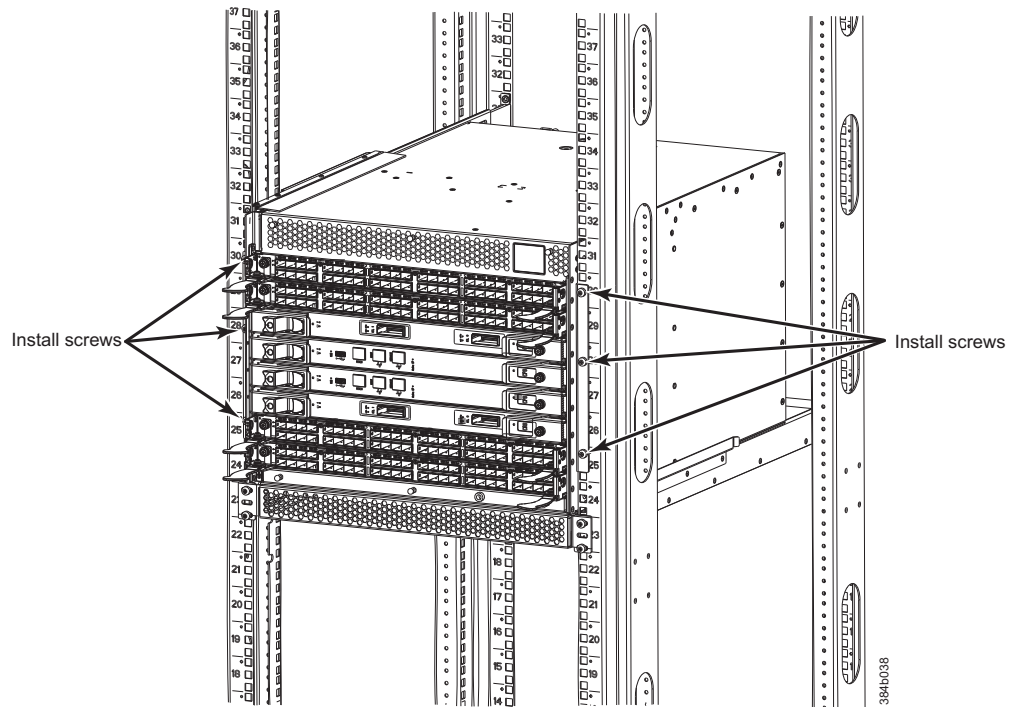


Figure 14. Location of screws to attach the chassis to the cabinet rails

14. Attach the two cable management finger assemblies to the cabinet vertical rails, using two screws each. The two assemblies are identical and can be installed on either side. The screws will extend through the chassis flange used to attach the chassis to the cabinet rails, and into the clip nuts you have installed. Select the holes on the cable management assemblies that match two of the holes on the chassis flange. You will be able to position the cable management finger assemblies either towards the top of the chassis or towards the bottom of the chassis, depending on your requirements for routing cables. The third screw for each side is used to secure the chassis to the rails, directly through the chassis flange into the clip nuts. These screws do not attach the cable management assemblies to the chassis or rack. Figure 15 on page 28 shows the cable management fingers positioned towards the top of the chassis.

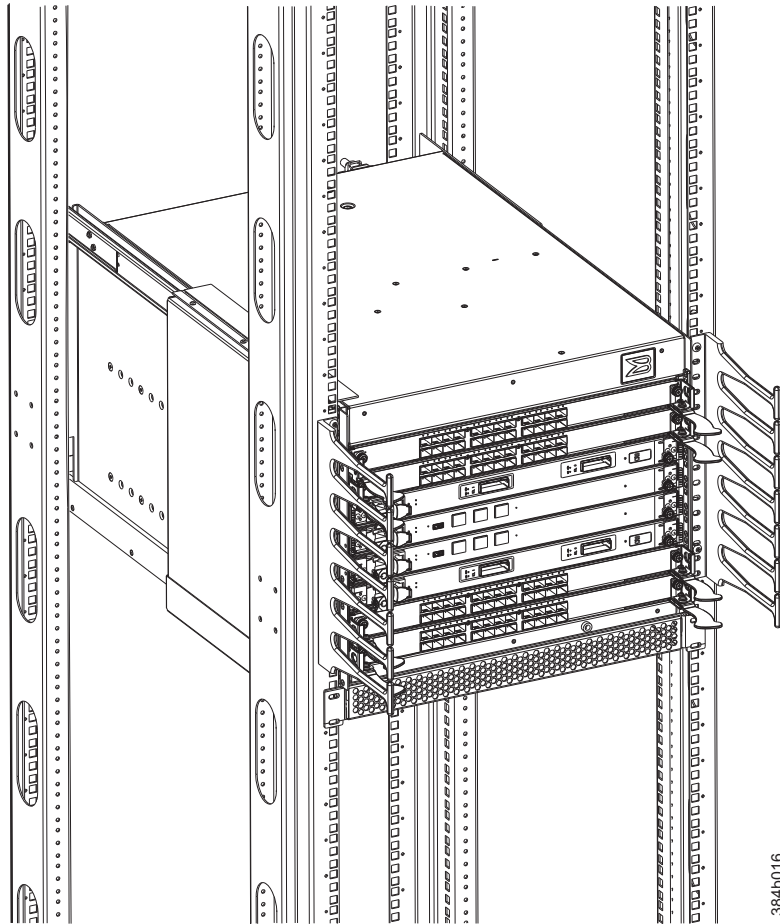


Figure 15. Attaching the vertical cable management finger assemblies to the cabinet rails

15. Disassemble and pack the lift tool into the shipping crate. Follow the return instructions provided.

**Note:** For turning on the power and for the configuration instructions, see Chapter 3, "Starting and configuring the SAN384B," on page 33.

**Attention:** Do not connect the SAN384B to the network until the IP addresses are correctly set.

---

## Port numbering

Table 7 provides a list of available port blades for the SAN384B.

Table 7. Port blades available on the SAN384B

Blade label	IBM blade name	Feature code
FC8-16	16 port 8Gb Switch Blade	3816
FC8-32	32 port 8Gb Switch Blade	3832
FC8-48	48 port 8Gb Switch Blade	3848
FC8-64	64 port 8Gb Switch Blade	3864
FC10-6	10Gb Fibre Channel Blade	3870
FR4-18i	FC Routing Blade	3850



Table 7. Port blades available on the SAN384B (continued)

Blade label	IBM blade name	Feature code
FX8-24	FCIP extension blade	3890
FCoE10-24	Fibre Channel over Ethernet blade	3880

The SAN384B uses the following port numbering for each of the blades that can be installed in the chassis. See illustrations of the different blades in Appendix D, "Blade port numbering," on page 137. Refer to *Implementing an IBM/Brocade SAN with 8 Gbps Directors and Switches*, (an IBM Redbook), SG24-6116 for more details on port numbering and other technical information.

**Note:** Blades are installed in a horizontal orientation in the SAN384B chassis, so the normal top of the blade is oriented to the left, and the normal bottom of the blade is oriented to the right when the blades are installed in the chassis.

- FC8-16 port blade - Ports are numbered from 0 through 15 from right to left.
- FC8-32 port blade - Ports are numbered from 0 through 15 from right to left on the lower row of ports and 16 through 31 from right to left on the upper row of ports.
- FC8-48 port blade - Ports are numbered from 0 through 23 from right to left on the lower row of ports and 24 through 47 from right to left on the upper row of ports.
- FC8-64 port blade - Ports are numbered from 0 through 31 from right to left on the lower row of ports and 32 through 63 from right to left on the upper row of ports. See Figure 54 on page 138 for an illustration of the blade. Trunking groups are permitted with up to eight ports per group. Trunking groups are as follows: 0-7, 8-15, 16-23, 24-31, 32-39, 40-47, 48-55, and 56-63.
- FC10-6 port blade - Ports are numbered from 0 through 5 from right to left.
- FR4-18i router blade - The 16 physical Fibre Channel ports are numbered from 0 through 15 from right to left. The two GbE ports, numbered GE0 and GE1, are located to the right of the Fibre Channel ports. These ports, when fully configured, enable 16 VE\_ports or VEX\_ports and appear in the **switchShow** command as ports 16 through 31.
- FX8-24 FCIP extension blade - The port numbering scheme is fairly complex for this blade, but is displayed for reference on the blade itself in a diagram towards the right end of the blade (see Figure 57 on page 139). There are twenty-four physical ports. Twelve FC ports are located towards the right end of the blade, with ports 0 through 5 in the lower row, and ports 6 through 11 in the upper row. Two 10 Gigabit Ethernet (10GbE or XGE) ports are located in the lower row of ports and are numbered 0 and 1, from right to left. Ten GbE ports are located towards the left end of the blade, with eight clustered to the far left, and the remaining two located above the two 10GbE ports. The GbE ports 0 through 3, numbered from right to left are located in the lower row to the far left side of the blade. Ports 4 and 5 are located above the two 10GbE ports, and ports 6 through 9 (numbered right to left) are in the top row above ports 0 through 3. Up to three FC trunking groups. The three groups are defined as:
  - Trunk group 0: FC ports 0, 1
  - Trunk group 1: FC ports 6, 7
  - Trunk group 2: FC ports 2, 3, 4, 5, 8, 9, 10, 11
  -

- FCoE10-24 FC over Ethernet blade - The 24 physical ports are numbered 0 through 11 from right to left on the lower row of ports and 12 through 23 from right to left on the upper row of ports.

## Chassis slots

Slots are numbered 1 through 8, from bottom to top of the chassis when facing the port side of the SAN384B. Control processor blades (CP8) can be installed only in slots 4 and 5. Core switch blades (CR4S-8) can be installed only in slots 3 and 6. Port blades can be installed only in slots 1, 2, 7, and 8. Unused slots must be filled with blade filler panels to maintain adequate cooling.

See Appendix D, "Blade port numbering," on page 137 for different SAN384B port blades. Also refer to the IBM Redbook, *Implementing an IBM/Brocade SAN with 8 Gbps Directors and Switches*, SG24-6116, for more comprehensive information on port numbering and area port numbering, and other technical information. This publication is available through [www.redbooks.ibm.com/](http://www.redbooks.ibm.com/). Search by title or publication number.

## Cable organization

Two vertical cable management finger assemblies (shown in Figure 32 on page 63) are attached to the rack vertical rails. They are not attached directly to the SAN384B chassis. This pair of cable management finger assemblies can be used to keep the cables from hanging down in front of other blades, and to route them away from the exhaust vent of the port-side exhaust kit, which is located below the SAN384B chassis.

Route the cables across in front of the blades, keeping the LEDs visible. Leave at least one meter of slack for each fiber optic cable to provide room to remove and replace blades.

**Attention:** Do not route the cables in front of the air exhaust vents, located at the top and bottom of the port side of the chassis.

The FC8-64 high density port blade cannot use the standard LC cables because the pitch between optics in the new mSFP transceiver is smaller than in standard SFPs. Patch cables and panels can be used to attach standard size cabling to the blade if necessary. Figure 16 illustrates the mSFP to SFP patch cable. The mSFP transceivers are used only with the FC8-64 port blade. Narrower OM-3 LC cables are used to connect the FC8-64. These cables are offered by several major manufacturers. Contact your IBM representative for options regarding different cable and patch panel configurations to simplify cable management with higher density FC8-64 port blades.

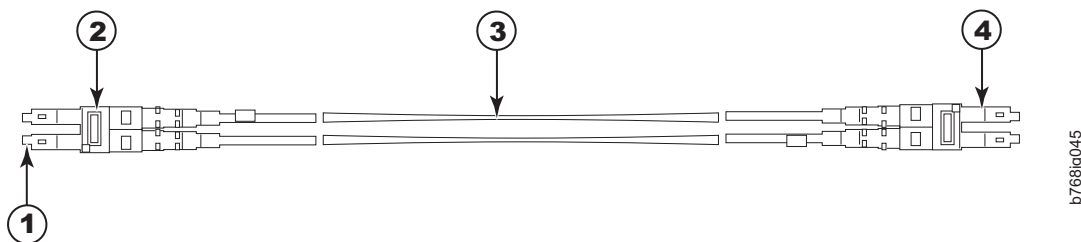


Figure 16. Cable design for the mSFP patch cables for the FC8-64 high density port blade

- |          |                     |          |               |
|----------|---------------------|----------|---------------|
| <b>1</b> | mini-SFP connector  | <b>3</b> | 1.6 mm cable  |
| <b>2</b> | Duplex clip (black) | <b>4</b> | SFP connector |

Note that the duplex clip on the mSFP end of the cable is black for easier recognition. See Table 26 on page 125 for a listing of the qualified mSFP optical cables for the FC8-64 port blade.

If ISL Trunking is in use, group the cables by trunking group. The ports are color-coded to indicate which ports can be used in the same ISL Trunking group: eight ports marked with solid black ovals alternate with eight ports marked with oval outlines.

Table 26 on page 125 provides a listing of supported cable speeds and distances. Optional inter-chassis link cables (ICL) can also be installed between two or three chassis. See "Removing and installing inter-chassis link (ICL) cables" on page 84 for instructions on installing these cables.



---

## Chapter 3. Starting and configuring the SAN384B

**Attention:** Refer to the latest Fabric OS Release Notes or Interoperability Matrix for information regarding Fabric OS compatibility. This is particularly important for fabrics with 1-Gbps switches using earlier Fabric OS versions. To access the appropriate matrix:

- Go to the IBM SAN web page [www.ibm.com/systems/storage/san](http://www.ibm.com/systems/storage/san)
- Select the SAN384B product link
- On the SAN384B product page, click the **Interoperability Matrix** link.

The SAN384B must be configured before it is connected to the fabric, and all of the configuration commands must be entered through the active CP blade. The SAN384B configuration includes the following parameters:

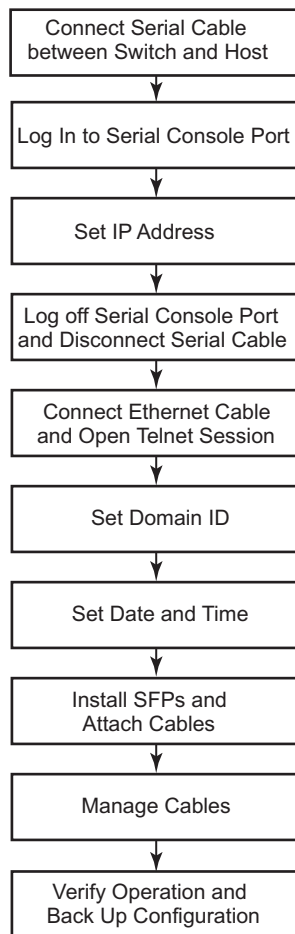
- IP address and subnet mask for the SAN384B
- IP addresses, host names, subnet masks, and gateway addresses for both CP blades
- Switch name
- Domain ID (optional)
- WWN (optional)

**Note:** The SAN384B WWN is initially set by the factory to match the license ID (which is based on the chassis serial number). The WWN can be changed, but the license ID cannot be modified.

The configuration information is mirrored to the standby CP blade, which allows the most current configuration to remain available even if the active CP blade fails. The configuration information for the SAN384B is stored in the WWN cards and the flash memory of the CP blades. The configuration can be backed up to a workstation (uploaded) and then downloaded to the active CP blade if necessary.

Figure 17 on page 34 provides an overview of the sequence of tasks to configure the SAN384B.

## Configuration Tasks



384b004

Figure 17. Flow of configuration tasks for the SAN384B

The initial physical hardware installation continues with the following steps:

- “Providing power to the SAN384B” on page 35
- “Connecting the SAN384B and host with a serial cable” on page 35
- “Logging in to the serial console port” on page 36
- “Configuring the IP addresses” on page 36
- Installing optical transceivers and cables (see “Removing and installing transceivers” on page 81 and “Managing cables” on page 42)

The following additional steps are customer responsibilities required for the initial configuration:

1. Establish an Ethernet connection. See “Establishing an Ethernet connection” on page 38.
2. Specify a switch name. See “Customizing the switch name” on page 38.
3. Specify a domain ID for the SAN384B. See “Setting the Domain ID” on page 39.
4. Set the date and time. See “Setting the date and time” on page 39.
5. Connect to the fabric. See “Verifying the PID mode and connecting to the fabric” on page 41

6. Enable software licenses. See “Software licenses” on page 41.
7. Back up the configuration. See “Verifying correct operation and backing up the configuration” on page 43.

---

## Providing power to the SAN384B

### DANGER

**An electrical outlet that is not correctly wired could place hazardous voltage on the metal parts of the system or the devices that attach to the system. It is the responsibility of the customer to ensure that the outlet is correctly wired and grounded to prevent an electrical shock. (D004)**

**Attention:** Use only the supplied power cords.

To provide power to the SAN384B:

1. Connect the two AC power cords to each of the two power supplies.
2. Connect the power cords to a power source with a voltage of 200 to 240 VAC, 47 to 63 Hz..
3. Turn the AC power switches on the power supplies to ON (I). The AC power switches light green when switched on and power is supplied.
4. The SAN384B performs a power-on self-test (POST) each time it is powered on. POST takes approximately 10 minutes and is complete when indicator light activity displays the operational state. For information about LED patterns, see Chapter 4, “Monitoring system components,” on page 45.

You can bypass POST by using the **fastBoot** command. You can also disable POST for successive reboots on the SAN384B using the **diagDisablePost** command.

**Attention:** To prevent a potential IP address conflict, do not connect the SAN384B to the network until the IP addresses are configured.

**Note:** To power off the SAN384B, see “Powering off the SAN384B” on page 44.

---

## Connecting the SAN384B and host with a serial cable

Follow these steps to connect a serial cable.

1. Verify that the SAN384B is powered on and that POST is complete by confirming that all power LED indicators on the port, control processor, and core switch blades display a steady green light.
2. Remove the shipping cap from the CONSOLE port on the active CP. Use the serial cable provided with the product to connect the CONSOLE port on the active CP to a computer workstation. The active CP blade is indicated by an illuminated (blue) LED.

**Attention:** The CONSOLE port is intended primarily for the initial setting of the IP address and for service purposes.

3. Access the SAN384B using a terminal emulator application (such as HyperTerminal in a Windows environment or TIP in a UNIX environment).
4. Disable any serial communication programs running on the workstation (such as synchronization programs).

5. Open the terminal emulator application and configure as follows:
  - In a Windows environment:

*Table 8. Configuration parameters*

Parameter	Value
Bits per second	9600
Data bits	8
Parity	None
Stop bits	1
Flow control	None

- In a UNIX<sup>®</sup> environment, enter the string at the prompt:  
`term /dev/ttyb -9600`  
 If `tyb` is already in use, use `ttya` instead and enter the following string at the prompt:  
`term /dev/ttya -9600`

## Logging in to the serial console port

To log in to the SAN384B through the serial connection, follow these steps.

1. When the terminal emulator application stops reporting information, press **Enter**. You will receive the following login prompt: `CP0 Console Login:`
2. Log in to the SAN384B as **admin**. The default password is "**password**." At the initial login, you are prompted to change the default passwords. Record the new passwords and keep this information in a secure location. The example below shows the login without changing the password.

```
swDir login: admin
Password:
Please change your passwords now.
Use Control-C to exit or press 'Enter' key to proceed.
```

```
Password was not changed. Will prompt again at next login
until password is changed.
swDir:admin>
```

3. (Optional) Modify passwords. To skip modifying the password, press **Ctrl+C**. Passwords can be 8 to 40 characters long. They must begin with an alphabetic character. They can include numeric characters, the dot (`.`), and the underscore (`_`). Passwords are case-sensitive, and they are not displayed when you enter them on the command line. For more information on passwords, refer to the *Fabric OS Administrator's Guide*.

## Configuring the IP addresses

The SAN384B requires three IP addresses, which are configured using the **ipAddrSet** command. IP addresses are required for both CP blades (CP0 and CP1) and for the single logical switch (shown as SWITCH under the **ipAddrShow** command) in the

**Note:** The default IP addresses and host names for the SAN384B are as follows:

- 10.77.77.75 for CP0 (the CP blade in slot 4 at the time of configuration)
- 10.77.77.74 for CP1 (the CP blade in slot 5 at the time of configuration)



**Attention:** Resetting an IP address while the SAN384B has active IP traffic such as Fabric Manager, Fabric Watch, SNMP, or other applications can cause traffic to be interrupted or stopped. Changing the IP address causes a domain address format RSCN to be issued.

Follow these steps to configure the IP addresses for both CP blades (from the active CP blade):

1. Log in to the active CP as admin using the serial cable connection.
2. Set up the SAN384B IP address by entering the **ipaddrset -chassis** command at the prompt.

```
swDir:admin> ipAddrSet -chassis
```

Enter the information at the prompts. Specify the **-chassis IP** address. The **-sw 0** IP address is no longer valid on this chassis.

**Note:** The addresses 10.0.0.0 through 10.0.0.255 are reserved and used internally by the SAN384B. External IPs must not use these addresses.

3. Set up the CP0 blade IP address by entering the **ipaddrset -cp 0** command at the prompt.

```
swDir:admin> ipAddrSet -cp 0
```

Enter the requested information at the prompts.

4. Set up the CP1 IP address by entering the **ipaddrset -cp 1** command:swDir:admin> **ipAddrSet -cp 1**

Enter the requested information at the prompts.

The following is a sample IP configuration, for the SAN384B (sw -0) and the two CP blades (cp0 and cp1):

```
swDir:admin> ipaddrset -chassis
Ethernet IP Address [0.0.0.0]: 123.123.123.120
Ethernet Subnetmask [0.0.0.0]: 123.123.123.123
Fibre Channel IP Address [0.0.0.0]:
Fibre Channel Subnetmask [0.0.0.0]:
Issuing gratuitous ARP...Done.
Committing configuration...Done.
swDir:admin> ipaddrset -cp 0
Host Name [cp0]:
Ethernet IP Address [10.77.77.75]: 123.123.123.121
Ethernet Subnetmask [0.0.0.0]: 123.123.123.123
Gateway IP Address [0.0.0.0]: 123.123.123.124
IP address is being changed...Done.
Committing configuration...Done.
swDir:admin> ipaddrset -cp 1
Host Name [cp1]:
Ethernet IP Address [10.77.77.74]: 123.123.123.122
Ethernet Subnetmask [0.0.0.0]: 123.123.123.123
Gateway IP Address [0.0.0.0]: 123.123.123.124
IP address of remote CP is being changed...Done.
Committing configuration...Done.
swDir:admin> reboot
```

5. Enter **reboot** to reboot the SAN384B.

## Logging off the serial console port and disconnecting the serial cable

You can use the serial port to monitor error messages through the serial connection, however it is generally used for initial configuration and service

purposes. If the serial port is no longer required, use the **logout** command to log out of the serial console, remove the serial cable, and replace the plug in the serial port.

---

## Establishing an Ethernet connection

After using a serial connection to configure the IP addresses for the SAN384B, you can connect the active CP blade to the local area network (LAN).

**Note:** Connecting the CP blades to a private network/VLAN is recommended.

By establishing an Ethernet connection, you can complete the SAN384B configuration using a serial session, Telnet, or through a management application such as Web Tools or DCFM.

To establish an Ethernet connection to the SAN384B, follow these steps:

1. Remove the shipping plug from the Ethernet port on the active CP blade.
2. Insert one end of an Ethernet cable into the Ethernet port.
3. Connect the other end to an Ethernet 10/100/1000 BaseT LAN.

The SAN384B can now be accessed by remote connection using any of the available management tools, such as Telnet, Web Tools, or DCFM.

4. To complete any additional SAN384B configuration procedures through a Telnet session, log in to the SAN384B by Telnet, using the admin login. The default password is password.

---

## Customizing the switch name

The switch name of the SAN384B can be up to 30 characters long as of Fabric OS release 6.3.0; can include letters, numbers, and underscore characters; and must begin with a letter. Fabric OS releases earlier than 6.3.0 require switch names of 15 characters or less.

**Note:** Changing the name causes a domain address format RSCN to be issued.

To customize the name, follow these steps:

1. Enter the **switchName** command with the new name in quotes.

```
swDir:admin> switchName "ModularSwitch5"  
Committing configuration...  
Done.  
ModularSwitch5:admin
```

2. Record the new name for future reference.

---

## Customizing a chassis name

For Fabric OS 6.2.0 and later, the chassis name of the SAN384B can be up to 15 characters long; can include alpha, numeric, and underscore characters; and must begin with an alpha character.

1. Enter **chassisName** followed by the new name in double quotes.

```
switch:admin> chassisname "SAN384B_chassis_1"  
Committing configuration...  
Done.
```

2. Display the new chassis name.

```
switch:admin> chassisname SAN384B_chassis_1
```

3. Record the new name for reference.

---

## Setting the Domain ID

Each switch in the fabric must have a unique Domain ID. The Domain ID can be set using the **configure** command or can be automatically set. The default Domain ID for the SAN384B is "1". Use the **fabricShow** command to view the already assigned domain IDs.

To set the Domain ID, follow these steps:

1. Enter the **switchDisable** command to disable the SAN384B.
2. Enter the **configure** command.
3. Enter **y** at the "Fabric parameters" prompt:

```
Fabric parameters (yes, y, no, n): [no] y
```

4. Enter a unique Domain ID:

```
Domain: (1.239) [1] 3
```

5. Complete the remaining prompts or press **Ctrl+D** to accept the settings and to exit.
6. Enter the **switchEnable** command to re-enable the SAN384B.

---

## Setting the date and time

The date and time settings are used for logging events. Switch operation does not depend on the date and time; a switch with an incorrect date and time value still functions properly. However, because the date and time are used for logging, error detection, and troubleshooting, they should be set correctly.

### Setting the date

To set the date, follow these steps.

1. If necessary, log on to the SAN384B by Telnet, using the **admin** account.
2. Enter the **date** command, using the following syntax: `date "mmddHHMMyy"`  
Where:
  - mm is the month; valid values are 01 through 12.
  - dd is the date; valid values are 01 through 31.
  - HH is the hour; valid values are 00 through 23
  - MM is minutes; valid values are 00 through 59.
  - yy is the year; valid values are 00 through 99 (values greater than 69 are interpreted as 1970 through 1999, and values less than 70 are interpreted as 2000-2069).

```
switch:admin> date
Fri Sep 26 17:01:48 UTC 2008
switch:admin> date "0926123008"
Fri Sep 26 12:30:00 UTC 2008
switch:admin>
```

### Setting the time zone

To set the time zone, follow these steps.

1. If necessary, log on to the switch by Telnet, using the **admin** account.

2. Enter the **tsTimeZone** command as follows:

```
switch:admin> ts timezone [--interactive]/ [, timezone_fmt]
```

Use **timezone\_fmt** to set the time zone by Country/City or by time zone ID, such as MST.

The following example shows how to change the time zone to US/Mountain.

```
switch:admin> ts timezone  
Time Zone : US/Pacific  
switch:admin> ts timezone US/Mountain  
switch:admin> ts timezone  
Time Zone : US/Mountain
```

The following procedure describes how to set the current time zone using interactive mode.

1. Enter the **tsTimeZone** command as follows:

```
switch:admin> ts timezone --interactive
```

You are prompted to select a general location.

Please identify a location so that time zone rules can be set correctly.

2. Enter the appropriate number or **Ctrl+D** to quit.
3. At the prompt, select a country location.
4. At the prompt, enter the appropriate number to specify the time zone region or **Ctrl+D** to quit.

## Synchronizing local time

To synchronize the local time of the principal or primary switch with that of an external NTP server, follow these steps.

1. If necessary, log on to the switch by Telnet, using the admin account.
2. **switch:admin> tsclockserver "<ntp1;ntp2>"**

where ntp1 is the IP address or DNS name of the first NTP server, which the switch must be able to access. The variable ntp2 is the second NTP server and is optional. The operand "<ntp1;ntp2>" is optional; by default, this value is LOCL, which uses the local clock of the principal or primary switch as the clock server.

The **tsClockServer** command accepts multiple server addresses in either IPv4, IPv6, or DNS name formats. When multiple NTP server addresses are passed, **tsclockserver** sets the first obtainable address as the active NTP server. The rest will be stored as backup servers that can take over if the active NTP server fails. The principal or primary FCS switch synchronizes its time with the NTP server every 64 seconds.

```
switch:admin> tsclockserverLOCL  
switch:admin> tsclockserver "132.163.135.131"  
switch:admin> tsclockserver  
132.163.135.131  
switch:admin>
```

The following example shows how to set up more than one NTP server using a DNS name:

```
switch:admin> tsclockserver "10.32.170.1;10.32.170.2;ntp.localdomain.net"  
Updating Clock Server configuration...done.  
Updated with the NTP servers
```

Changes to the clock server value on the principal or primary FCS switch are propagated to all switches in the fabric

---

## Verifying the PID mode and connecting to the fabric

To verify PID mode, connect the system to the fabric and verify status, follow these steps:

1. Before connecting the SAN384B to the fabric, verify that the port identifier (PID) mode on the SAN384B matches the other switches in the fabric. This parameter must be set identically on all switches in the fabric. This parameter is set using the **configure** command. For information on PID mode, refer to the *Fabric OS Administrator's Guide*.
2. Verify the chassis and port status by entering the **switchShow** command. This command provides detailed information about the SAN384B.
3. Verify fabric connectivity by entering the **fabricShow** command. This command provides general information about the fabric.

---

## Software licenses

Certain licenses may be factory installed on the SAN384B. To determine which licenses are currently enabled, use the **licenseShow** command.

```
swDir:admin> licenseshow
AAbbccDDeeFFeeGG:
  Web license
  Zoning license
  Extended Fabric license
  Fabric Watch license
  Performance Monitor license
  Trunking license
  Security license
```

In the example above, the license key is AAbbccDDeeFFeeGG. Keep a copy of the license key for reference.

The 64-bit chassis ID is required to obtain and activate licenses for the SAN384B. The chassis ID is available through the **licenseIdShow** command.

The **licenseShow** and **licenseIdShow** commands must be entered on the active CP blade.

Refer to the *Fabric OS Administrator's Guide* for more information.

---

## Installing transceivers and attaching cables

Follow these steps to install SFPs, SFP+s, mSFPs (FC8-64 port blade only), or XFPs (FC10-6 port blade only) and cables to the blades and chassis.

**Note:** For a listing of transceivers compatible with this product:

- Go to the IBM SAN web page [www.ibm.com/systems/storage/san](http://www.ibm.com/systems/storage/san)
- Select the **SAN384B** product link
- On the SAN384B product page, click the **Interoperability Matrix** link.
- In the Interoperability matrix, click the **Transceivers** link.

**Attention:** mSFP transceivers are compatible only with the FC8-64 port blade. While they will fit in other blades, this configuration is unsupported and will generate an error.

The ports are color-coded to indicate which can be used in the same port group for trunking (trunking port groups can be up to eight ports). The ports and cables used in trunking groups must meet specific requirements. Refer to the *Fabric OS Administrator's Guide* for more information.

1. Position one of the optical transceivers so that the key is oriented correctly to the port. Insert the transceiver into the port until it is firmly seated and the latching mechanism clicks.

Transceivers are keyed so that they can only be inserted with the correct orientation. If a transceiver does not slide in easily, ensure that it is correctly oriented.

2. Position a cable so that the key (the ridge on one side of the cable connector) is aligned with the slot in the transceiver; then, insert the cable into the transceiver until the latching mechanism clicks.

Cables are keyed so that they can only be inserted with the correct orientation. If a cable does not slide in easily, ensure that it is correctly oriented.

3. Repeat steps 1 and 2 for the remaining ports.
4. Organize the cables as required. For recommendations regarding cable management, refer to "Managing cables."
5. Verify the chassis and port status using the **switchShow** command.
6. Verify fabric connectivity using the **fabricShow** command.

---

## Managing cables

**Attention:** The minimum bend radius should be no smaller than 10x the cable radius.

**Note:** Contact your IBM representative for options regarding different cable and patch panel configurations to simplify cable management with higher density FC8-64 port blades.

Cable management recommendations:

- Leave at least 1 m (3.28 ft) of slack for each port cable. This provides room to remove and replace blades in the chassis, allows for inadvertent movement of the rack, and helps prevent the cables from being bent to less than the minimum bend radius.
- If ISL Trunking is in use, group the cables by trunking group. The ports are color-coded to indicate which ports can be used in the same ISL Trunking group: eight ports marked with solid black ovals alternate with eight ports marked with oval outlines.
- Use only hook-and-loop fasteners for securing cables. Do not use cable ties. They can be easily overtightened and can break the optical cables.
- For easier maintenance, label the fiber optic cables and record the devices to which they are connected.
- Use the cable management fingers attached to the rack rails to organize the cables off to the side of the chassis, and away from the chassis exhaust vents.
- Keep LEDs visible by routing port cables and other cables away from the LEDs.

For the procedure to install the ICL cables see "Removing and installing inter-chassis link (ICL) cables" on page 84.

---

## Verifying correct operation and backing up the configuration

To verify correct operation and to back up the system, follow these steps.

1. Check the LEDs to verify that all components are functional. For information about LED patterns, see Chapter 4, “Monitoring system components,” on page 45.
2. If necessary, log on to the switch by Telnet, using the **admin** account.
3. Verify the correct operation of the system by entering the **switchShow** command from the workstation. This command provides information about switch and port status.
4. Verify the correct operation of the SAN384B in the fabric by entering the **fabricShow** command from the workstation. This command provides general information about the fabric.
5. To back up the configuration, run the following two steps:
  - a. Enter the **configupload -vf** command. This command uploads the system virtual fabric data.
  - b. Enter the **configupload** command. This command uploads the system configuration.
6. Run the following commands to see additional configuration information that you can then copy to a file to save:
  - **configShow**
  - **ipAddrShow**
  - **licenseShow**
  - **switchShow**

**Note:** Passwords are not saved in the configuration file, and are not uploaded during a **configUpload**. Password information should be saved in hardcopy in a secure location for reference, subject to your security and password management policy.

**Note:** It is recommended that the configuration be backed up on a regular basis to ensure that a complete configuration is available for downloading to a replacement device.

---

## Fabric OS firmware updates

To ensure optimum functioning of your system, IBM recommends operating your system with the latest Fabric OS version and firmware updates. Refer to the latest Fabric OS Release Notes and Interoperability Matrix for information regarding Fabric OS compatibility. This is particularly important for fabrics with 1-Gbps switches using earlier Fabric OS versions. Detailed information on downloading and installing firmware are provided in the *Fabric OS Administrator's Guide*.

To access the appropriate matrix:

- Go to the IBM SAN web page [www.ibm.com/systems/storage/san](http://www.ibm.com/systems/storage/san)
- Select the SAN384B product link
- On the SAN384B product page, click the **Interoperability Matrix** link.

Firmware release notes and download files are available through the IBM SAN Support web pages.

To view release notes and to download firmware:

- Go to [www.ibm.com/systems/support](http://www.ibm.com/systems/support).
- Select **System Storage**.
- On the next page that is displayed, select **Download**, and then select **Storage area network (SAN)**.
- Select your product, then in the **Recommended fix** section, select the appropriate firmware version release notes. Review the release notes before installing the firmware update.
- Select the firmware download version and follow the online prompts.

## Downloading and installing firmware

1. The firmware version on both the active and backup CP blade should match, and should be at the latest level. If High Availability is enabled (**haEnable**), the system will automatically update the firmware level on both CP blades.  
**Attention:** Firmware downloads require Ethernet connections to both CP blades. Procedures for loading downloading and installing firmware are fully described in the *Fabric OS Administrator's Guide*.
2. When you have navigated to the appropriate download site, follow the online instructions on the displayed Fabric OS download pages, referring to the *Fabric OS Administrator's Guide* as needed.
3. Enter **firmwareDownload -s** on your to download the firmware to one of the CP blades from your server.

---

## Powering off the SAN384B

If you need to power off the SAN384B, follow these steps to avoid loss of data.

1. Shut down the SAN384B using the **sysShutdown** command.  

```
switch::admin> sysshutdown
This command will shutdown the operating systems on your switch.
You are required to power-cycle the switch in order to restore operation.
Are you sure you want to shutdown the switch [y/n]? y
HA is disabled
Stopping blade 1
Shutting down the blade....
Stopping blade 2
Shutting down the blade....
Stopping blade 8
Shutting down the blade....
Broadcast message from root (pts/1) Tue Aug 23 14:23:06 2008...
The system is going down for system halt NOW !!
```
2. Power off the chassis by flipping the AC power switches on the power supplies to "O". The LEDs inside AC power switches should turn off. To maintain the ground connections, leave the power cords connected to the power supplies and to the electrical outlets.



---

## Chapter 4. Monitoring system components

The SAN384B is engineered for reliability and requires no routine operational steps or maintenance. This chapter provides information about determining the status of the following components using LEDs and CLI commands. Refer to the *Fabric OS Administrator's Guide* and the *Web Tools Administrator's Guide* for more information on monitoring component status.

- "Port or application blade status"
- "Control processor blade (CP8) status" on page 53
- "Core switch blade (CR4S-8) status" on page 55
- "Power supply status" on page 56
- "Blower assembly status" on page 57
- "WWN card status" on page 59

---

### Port or application blade status

To determine the status of a port or routing blade:

1. Check the LEDs on the blade. The illustrations show the blades oriented horizontally, as they are installed in the SAN384B chassis.
  - Figure 18 on page 46 illustrates the FC8-16 port blade
  - Figure 19 on page 46 illustrates the FC8-32 port blade
  - Figure 20 on page 47 illustrates the FC8-48 port blade
  - Figure 21 on page 47 illustrates the FC8-64 port blade
  - Figure 22 on page 48 illustrates the FC10-6 port blade
  - Figure 23 on page 49 illustrates the FR4-18i routing blade
  - Figure 24 on page 49 illustrates the FX8-24 extension blade
  - Figure 25 on page 49 illustrates the FCOE10-24 Fibre Channel over Ethernet blade

The LED patterns may temporarily change during POST and other diagnostic tests. For information about how to interpret the LED patterns, see Table 9 on page 51.

2. Check the blade status by typing **slotShow**.

Table 9 on page 51 describes the port and routing blade LED patterns and the recommended actions for those patterns.

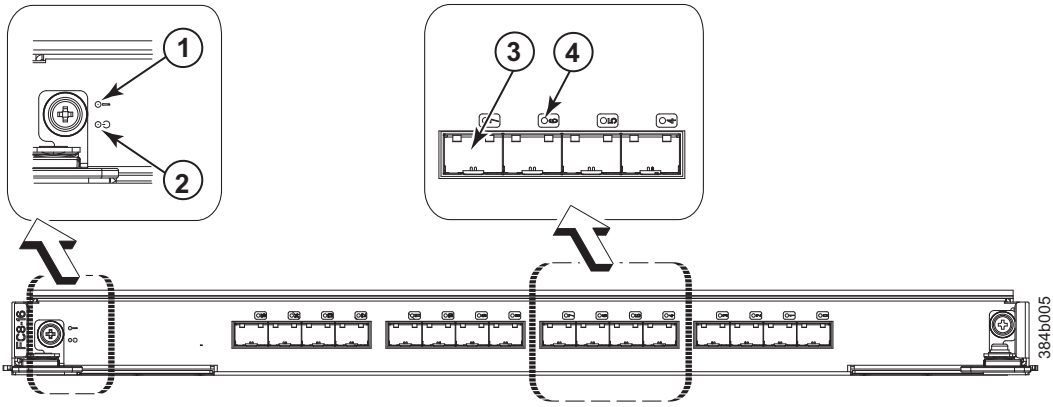


Figure 18. FC8-16 port blade

- |          |            |          |                    |
|----------|------------|----------|--------------------|
| <b>1</b> | Status LED | <b>3</b> | Fibre Channel port |
| <b>2</b> | Power LED  | <b>4</b> | Port Status LED    |

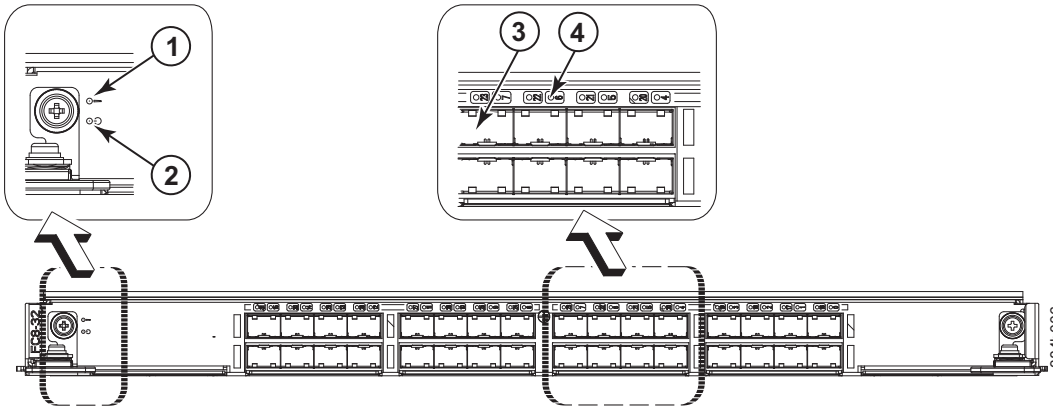


Figure 19. FC8-32 port blade

- |          |            |          |                    |
|----------|------------|----------|--------------------|
| <b>1</b> | Status LED | <b>3</b> | Fibre Channel port |
| <b>2</b> | Power LED  | <b>4</b> | Port Status LED    |

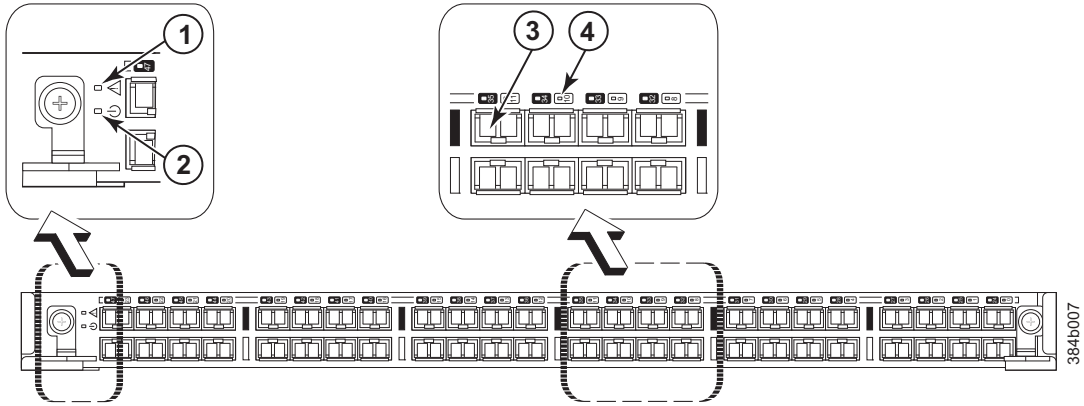


Figure 20. FC8-48 port blade

- |          |           |          |                    |
|----------|-----------|----------|--------------------|
| <b>1</b> | StatusLED | <b>3</b> | Fibre Channel port |
| <b>2</b> | Power LED | <b>4</b> | Port Status LED    |

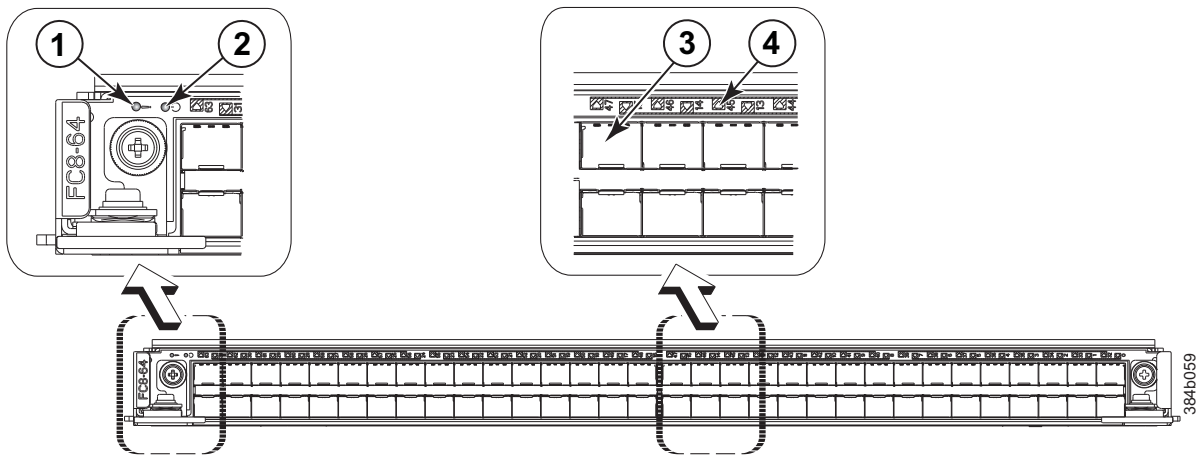


Figure 21. FC8-64 port blade

- |          |            |          |                    |
|----------|------------|----------|--------------------|
| <b>1</b> | Status LED | <b>3</b> | Fibre Channel port |
| <b>2</b> | Power LED  | <b>4</b> | Port Status LED    |

**Note:** The FC8-64 port blade requires narrower OM-3 LC cables offered by several major manufacturers

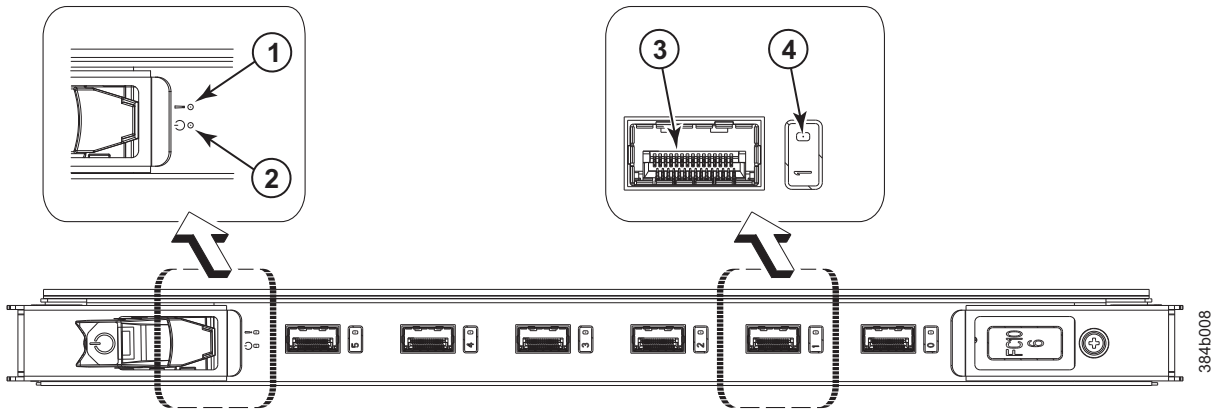


Figure 22. FC10-6 port blade

- |          |            |          |                    |
|----------|------------|----------|--------------------|
| <b>1</b> | Status LED | <b>3</b> | Fibre Channel Port |
| <b>2</b> | Power LED  | <b>4</b> | Port Status LED    |

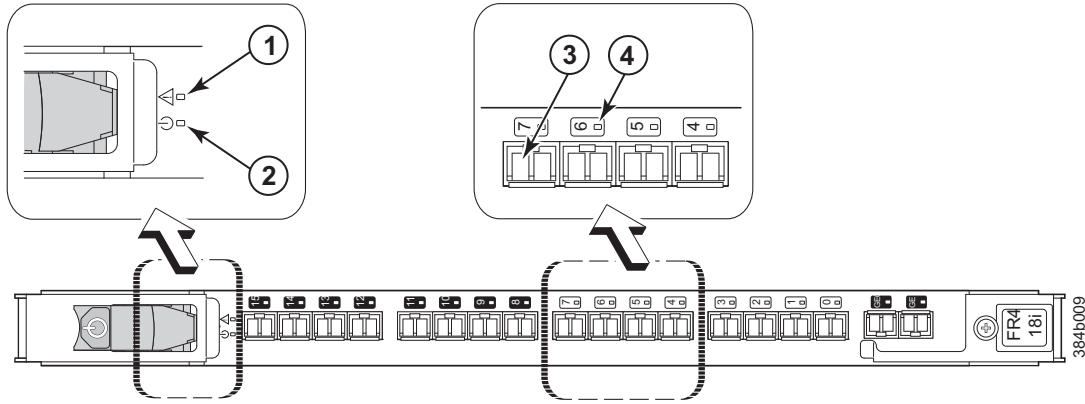


Figure 23. FR4-18i routing blade

- |          |            |          |                    |
|----------|------------|----------|--------------------|
| <b>1</b> | Status LED | <b>3</b> | Fibre Channel Port |
| <b>2</b> | Power LED  | <b>4</b> | Port Status LED    |

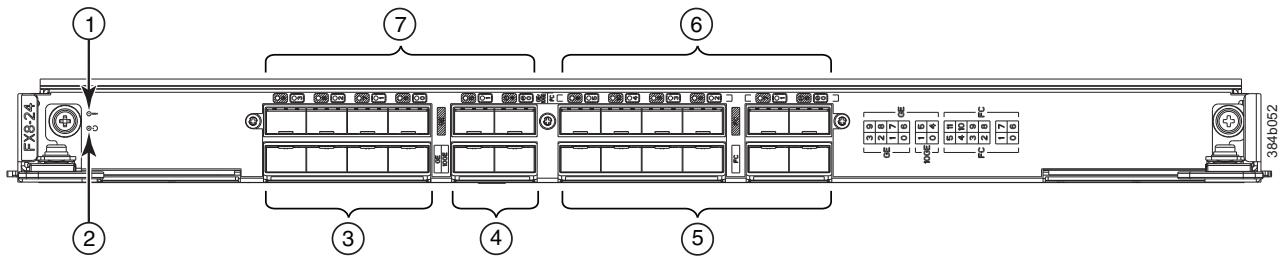


Figure 24. FX8-24 extension blade

- |          |   |          |  |
|----------|---|----------|--|
| <b>1</b> | Status LED                                | <b>5</b> | FC ports 0-5 (numbered right to left)    |
| <b>2</b> | Power LED                                 | <b>6</b> | FC ports 6-11 (numbered right to left)   |
| <b>3</b> | 1 GbE ports 0-3 (numbered right to left)  | <b>7</b> | 1 GbE ports 4-9 (numbered right to left) |
| <b>4</b> | 10 GbE ports 0-1 (numbered right to left) |          |  |

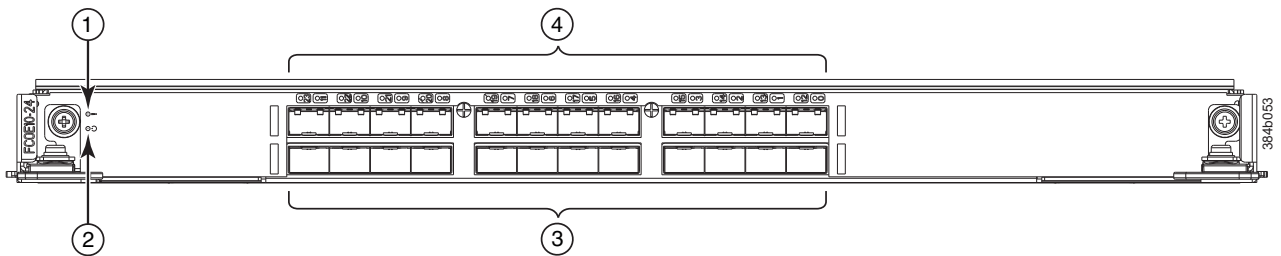


Figure 25. FCOE10-24 blade

- |          |            |          |                            |
|----------|------------|----------|----------------------------|
| <b>1</b> | Power LED  | <b>4</b> | Status LED for CEE port 9  |
| <b>2</b> | Status LED | <b>5</b> | CEE port 19                |
| <b>3</b> | CEE port 9 | <b>6</b> | Status LED for CEE port 19 |



Table 9. Port and routing blade LED descriptions

LED purpose	Color	Status	Recommended Action
Power LED	Steady green	Blade is enabled.	No action required.
	No light (LED is off)	Blade is not powered on.	Ensure that the blade is firmly seated and either the thumbscrew is fully engaged or the slider is pushed up and the ejectors are fully engaged.

Table 9. Port and routing blade LED descriptions (continued)

LED purpose	Color	Status	Recommended Action	
Status LED FCPort Status	No light (LED is off)	Blade is either healthy or does not have power.	Verify that the power LED is on.	
	Steady amber	Blade is faulty.	Ensure blade is firmly seated and check the status with the <b>slotShow</b> command. Blade may not be compatible with other blades in the chassis. See "FCOE10-24 blade" on page 129 for limitations. If the LED remains amber, contact IBM.	
	Slow-flashing amber (on 2 seconds, then off 2 seconds)	Blade is not seated correctly or is faulty.	Pull blade out and reseal it. If the LED continues to flash, replace the blade.	
	Fast-flashing amber (on 1/2 second, then off 1/2 second)	Environmental range exceeded.	Check for out-of-bounds environmental condition and correct it.	
	No light (LED is off)	Port has no incoming power, or there is no light or signal carrier detected.		Verify that the power LED is on, check the transceiver and cable.
		Polling is in progress.		Allow 60 seconds for polling to complete.
		Connected device is configured in an offline state.		Verify the status of the connected device.
	Steady green	Port is online (connected to an external device) but has no traffic.		No action required.
	Slow-flashing green (on 1 second, then off 1 second)	Port is online but segmented, indicating a loopback plug or cable or an incompatible switch.		Verify that the correct device is attached to the SAN384B.
	Fast-flashing green (on 1/4 second, then off 1/4 second)	Port is in internal loopback (diagnostic).		No action required.
	Flickering green	Port is online, with traffic flowing through port.		No action required.
	Steady amber	Port is receiving light or signal carrier, but it is not online yet.		Reset the port from the workstation using the <b>portEnable</b> or <b>portCfgPersistentEnable</b> command.
	Slow-flashing amber (on 2 seconds, then off 2 seconds)	Port is disabled due to diagnostic tests or <b>portDisable</b> or <b>portCfgPersistentEnable</b> command.		Reset the port from the workstation using the <b>portEnable</b> or <b>portCfgPersistentEnable</b> command.
	Fast-flashing amber (on 1/2 second, then off 1/2 second)	Transceiver or port is faulty.		Change the transceiver or reset the switch from the workstation.
	Alternating green/amber	Port is bypassed		Reset the port from the workstation using the <b>portEnable</b> or <b>portCfgPersistentEnable</b> command.
Green, amber, off (cycle is about 1 second)	Beaconing initiated on the local switch.		No action required. Beaconing used to locate/identify port.	
Amber, amber, pause (cycle is about 1 second)	Beaconing initiated on the HBA and reflected on the port.		No action required. Beaconing used to locate/identify port.	



Table 9. Port and routing blade LED descriptions (continued)

LED purpose	Color	Status	Recommended Action
GbE Port Status (FX8-24) - both GbE and 10 GbE ports	No light (LED is off)	Port has no incoming power, or there is no light or signal carrier detected.	Verify that the power LED is on, check the transceiver and cable.
	Steady green	Port is online but has no traffic.	No action required.
	Slow-flashing green (on 1 second, then off 1 second)	Beacon. Used to identify specific ports.	No action required.
	Flickering green	Port is online, with traffic flowing through port.	No action required.
	Fast-flashing amber (on 1/4 second, then off 1/4 second)	Transceiver or port is faulty.	Change the transceiver or reset the switch from the workstation.
10GbE Port Status (FCOE10-24)	No light (LED is off)	Port is offline.	Verify that the power LED is on, check the transceiver and cable.
	Steady green	Port is online but has no traffic.	No action required.
	Flickering green	Port is online, with traffic flowing through port.	No action required.
	Steady amber	Port is receiving light but it is not online yet.	Reset the port by doing a <b>shutdown</b> and <b>no shutdown</b> sequence from a cmsh session.
	Slow-flashing amber (on 2 seconds, then off 2 seconds)	Port is disabled.	Enable the port by using the <b>no shutdown</b> command from a cmsh session.
	Fast-flashing amber (on 1/4 second, then off 1/4 second)	Transceiver or port is faulty.	Change the transceiver or reset the port by doing a <b>shutdown</b> and <b>no shutdown</b> sequence from a cmsh session.

For more information on the CEE Management Shell (cmsh), see the *Fabric OS Command Reference Manual* or the *Converged Enhanced Ethernet Command Reference*.

## Control processor blade (CP8) status

To determine the status of a CP blade:

1. Check the LED indicators on the CP blade (see Figure 26 on page 54). The LED patterns may temporarily change during POST and other diagnostic tests. For information about how to interpret the LED patterns, see Table 10 on page 54.
2. Check port blade status by typing **slotShow** and **haShow**.

Figure 26 on page 54 identifies the control processor blade (CP8).

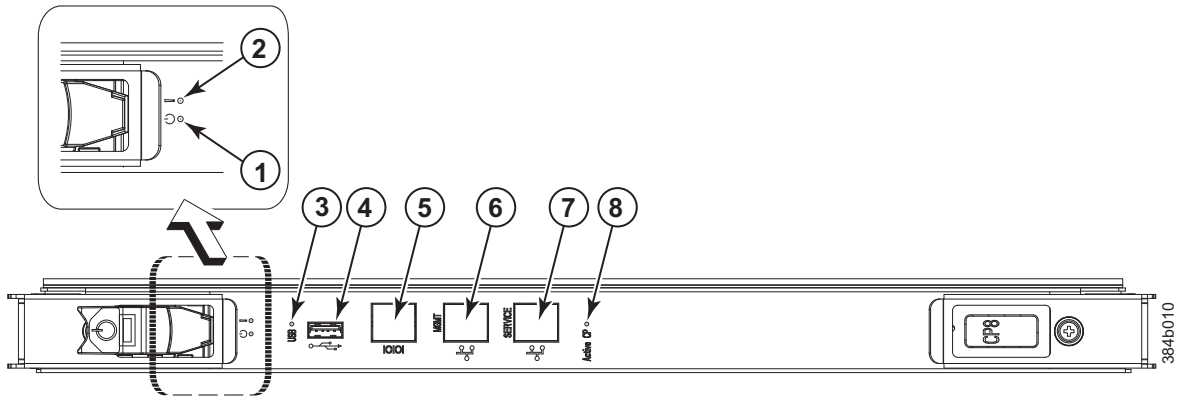


Figure 26. Control processor blade (CP8) LEDs

- |          |            |          |                         |
|----------|------------|----------|-------------------------|
| <b>1</b> | Status LED | <b>5</b> | Console port (IOIOI)    |
| <b>2</b> | Power LED  | <b>6</b> | Ethernet port (MGMT)    |
| <b>3</b> | USB LED    | <b>7</b> | Ethernet port (SERVICE) |
| <b>4</b> | USB port   | <b>8</b> | Active CP LED           |

Table 10. CP blade LED descriptions

LED purpose	Color	Status	Recommended Action
Power	Steady green	CP blade has is on.	No action required.
	No light (LED is off)	CP blade does not on.	Ensure that the blade is firmly seated and has power.
Status	No light (LED is off)	CP blade is either healthy or does not have power.	Verify that the power LED is on.
	Steady amber	CP blade is faulty or the switch is still booting.	Ensure that the blade is firmly seated and the switch has completed booting. If the LED remains amber, contact IBM.
	Slow-flashing amber (on 2 seconds; then off 2 seconds)	CP blade is not seated correctly or is faulty.	Pull the blade out and reseal it. If the LED continues to flash, replace blade.
	Fast-flashing amber (on 1/2 second; then off 1/2 second)	Environmental range exceeded.	Check for out-of-bounds environmental condition and correct it.

Table 10. CP blade LED descriptions (continued)

LED purpose	Color	Status	Recommended Action
Ethernet Link Status	No light (LED is off)	Either an Ethernet link is not detected, or it does not have incoming power.	Ensure that the blade has power, the Ethernet cable is firmly seated, and the connected device is functioning.
	Flickering green/amber	Ethernet link is healthy and traffic is flowing through port.	No action required.
Ethernet Link Speed	No light (LED is off)	Ethernet link speed is 10 Mbps or CP blade does not have incoming power.	Ensure that the CP has power. <b>Note:</b> To force a persistent Ethernet link speed, type the <b>ifModeSet</b> command.
	Steady green	Ethernet link speed is 100/1000 Mbps.	No action required.
Active CP	Steady blue	Active CP blade.	No action required.
	No light (LED is off)	Standby CP blade.	No action required.

## Core switch blade (CR4S-8) status

To determine the status of a CR4S-8 core switch blade:

1. Check the LED indicators on the core switch blade (Figure 27). The LED patterns may temporarily change during POST and other diagnostic tests; for information about how to interpret the LED patterns, see Table 11 on page 56.
2. Check core switch blade status by entering **slotShow** and **haShow**.

Figure 27 shows the CR4S-8 core switch blade and its components.

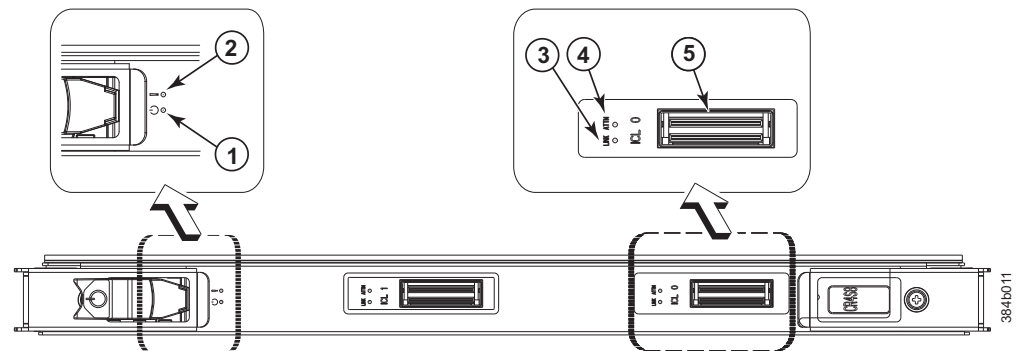


Figure 27. Core switch blade (CR4S-8)

- |          |            |          |               |
|----------|------------|----------|---------------|
| <b>1</b> | Status LED | <b>4</b> | ATTN LED      |
| <b>2</b> | Power LED  | <b>5</b> | ICL Connector |
| <b>3</b> | LINK LED   |          |               |

Table 11. CR4S-8 blade LED descriptions

LED purpose	Color	Status	Recommended Action
Power	Steady green	CR4S-8 blade is on.	No action required.
	No light (LED is off)	CR4S-8 blade is not on.	Ensure blade is firmly seated and has power.
Status	No light (LED is off)	CR4S-8 is either healthy or does not have power.	Verify that the power LED is on.
	Steady amber	CR4S-8 blade is faulty or the switch is still booting.	Ensure that the blade is firmly seated and the switch has completed booting. If the LED remains amber, contact IBM..
	Slow-flashing amber (on 2 seconds; then off 2 seconds)	CR4S-8 blade is not seated correctly or is faulty.	Pull the blade out and reset it. If the LED continues to flash, replace the blade.
	Fast-flashing amber (on 1/2 second; then off 1/2 second)	Environmental range exceeded.	Check for out-of-bounds environmental condition and correct it.
LINK LED	No light (LED is off)	No ICL or ICL cable present, but no connection.	Ensure that the ICL cable is correctly installed.
	Steady green	ICL connected	No action required.
ATTN LED	No light (LED is off)	ICL is operational	No action required.
	Blinking amber	Attention required	Ensure that the ICL cable is correctly installed.

## Power supply status

To determine the status of a power supply:

1. Check the LED indicator on the power supply (see Figure 28 on page 57). The LED patterns may temporarily change during POST and other diagnostic tests; for information about how to interpret the LED patterns, see Table 12 on page 57.
2. Check the power supply status by entering **psShow**.  
The power supply status displays **OK**, **Absent**, or **Faulty**. If a power supply is absent or faulty, contact IBM.

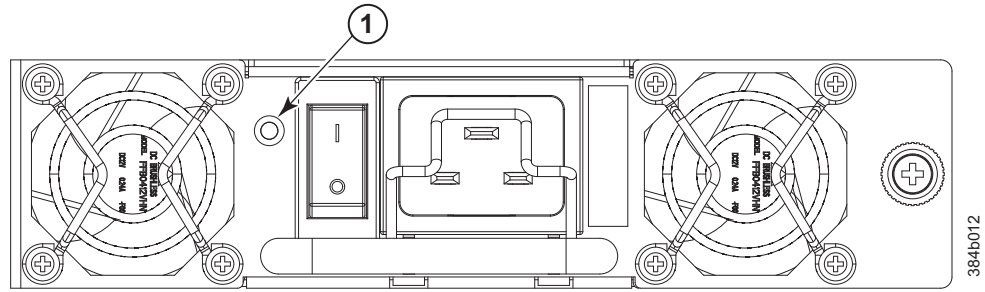


Figure 28. Power supply

**1** Power LED

Table 12. Power supply LED descriptions

LED purpose	Color	Status	Recommended Action
Power	No light (LED is off)	Power supply does not have incoming power and is not providing power to the SAN384B.	Ensure that the power supply is firmly seated, the SAN384B has incoming power, both power cables are connected, and AC power switches are on.
	Steady green	Power supply has incoming power and is providing power to the SAN384B.	No action required.
	Flashing green	Power supply is about to fail.	Replace the power supply.

## Blower assembly status

To determine the status of a blower assembly:

1. Check the LED indicators on the blower assembly (see Figure 29 on page 58). The LED patterns may temporarily change during POST and other diagnostic tests; for information about how to interpret the LED patterns, see Table 13 on page 58.
2. Check the blower assembly status using the **fanShow** command.  
The status for each blower assembly displays **OK**, **Absent**, or **Faulty**. The RPM of each fan in the assembly is also provided. If a blower assembly is absent or faulty, contact IBM.

Figure 29 on page 58 displays the blower assembly.

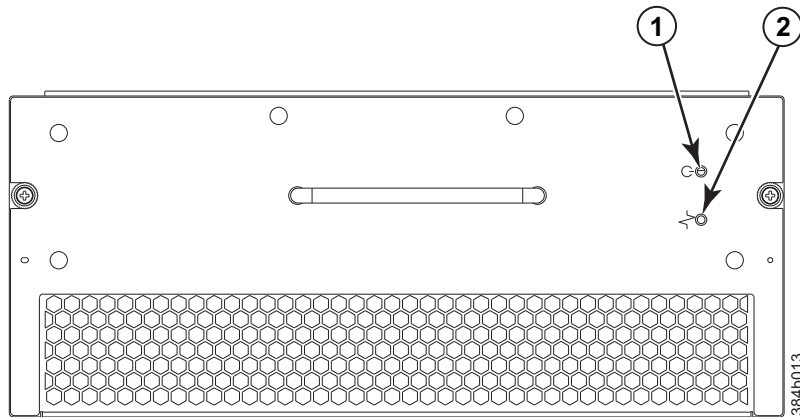


Figure 29. Blower assembly LEDs

- 1 Power LED
- 2 Fault LED

Table 13. Blower assembly LED descriptions

LED purpose	Color	Status	Recommended action
Power	No Light (LED is off)	Blower assembly does not have power.	Ensure that the blower assembly is firmly seated and has power.
	Steady green	Blower assembly has power.	No action required.
Fault	No Light (LED is off)	Blower assembly is either healthy or does not have power.	Ensure that the blower assembly has power.
	Steady amber	Blower assembly has a failure (full or partial).	Replace the blower assembly.
	Slow-flashing amber (on 2 sec, then off 2 sec)	Blower assembly is not seated correctly or is faulty.	Pull the unit out and reseal it. If the LED continues to flash, replace the unit.
	Flashing amber (on 1/2 sec, then off 3.5 sec)	Fan is disabled.	Run <b>fanEnable</b> to enable the fan.
	Fast-flashing amber (on 1/2 sec, then off 1/2 sec)	Environmental range exceeded.	Check for out-of-bounds environmental condition, resolve any problems, and reseal the unit. If the LED continues to flash, replace the unit.

## WWN card status

**Note:** The WWN bezel (see Figure 30) covers the WWN cards. The LEDs on the WWN cards are not visible unless the bezel is removed.

To determine the status of the WWN card, enter the **chassisShow** command to display information about the WWN card. (WWN units correspond to information specific to the WWN card.) Error messages that may indicate problems with a WWN card are summarized in Table 14.

Table 14. Messages that may indicate WWN card failure

Type of Message	Sample error message
WWN unit fails its FRU (field replaceable unit) header access.	0x24c (fabos): Switch: switchname, error EM-I2C_TIMEOUT, 2, WWN 1 I2C timed out: state 0x4
WWN unit is being faulted.	0x24c (fabos): Switch: switchname, Critical EM-WWN_UNKNOWN, 1, Unknown WWN #2 is being faulted
WWN unit is not present or is not accessible.	0x24c (fabos): Switch: switchname, Error EM-WWN_ABSENT, 2, WWN #1 not present
Writing to the FRU history log ( <b>hilSetFruHistory</b> ) has failed.	0x24c (fabos): Switch: switchname, Error EM-HIL_FAIL, 2, HIL Error: hilSetFruHistory failed, rc=-3 for SLOT 3

Figure 30 displays the WWN bezel. The WWN bezel must be removed to reveal the WWN cards and LEDs. See “Removing and installing a WWN bezel and WWN card” on page 78 for removal instructions.



Figure 30. WWN bezel





---

## Chapter 5. Removing and installing components

**Attention:** Read the safety notices before servicing (see “Safety notices and labels” on page xiii).

The field replaceable units (FRUs) in the SAN384B can be removed and installed without special tools. The SAN384B can continue operating during many of the FRU replacements if the conditions specified in the procedures are followed.

The following sections contain FRU removal and installation procedures.

- “Removing and installing the chassis door”
- “Removing and installing cable management finger assemblies” on page 62
- “Removing and installing port and application blades” on page 64
- “Removing and installing blade filler panels” on page 67
- “Removing and installing a CP8 control processor blade” on page 68
- “Removing and installing a CR4S-8 core switch blade” on page 72
- “Removing and installing a power supply” on page 75
- “Removing and installing a blower assembly” on page 77
- “Removing and installing a WWN bezel and WWN card” on page 78
- “Removing and installing transceivers” on page 81
- “Removing and installing inter-chassis link (ICL) cables” on page 84
- “Removing and replacing a SAN384B chassis” on page 91

---

### Removing and installing the chassis door

**Note:** The chassis door must be installed to ensure the SAN384B meets EMI and other regulatory certifications. Additionally, if ICL cables are not used, EMI plugs must be inserted in the ICL cable ports to meet certification standards.

#### Time and items required

The replacement procedure for the chassis door takes less than 5 minutes.

#### Removing the chassis door

To remove a chassis door:

1. Support the door to prevent it from falling.
2. Pull and remove the door.

To install a chassis door, align the door and push it into place. See Figure 31 on page 62.

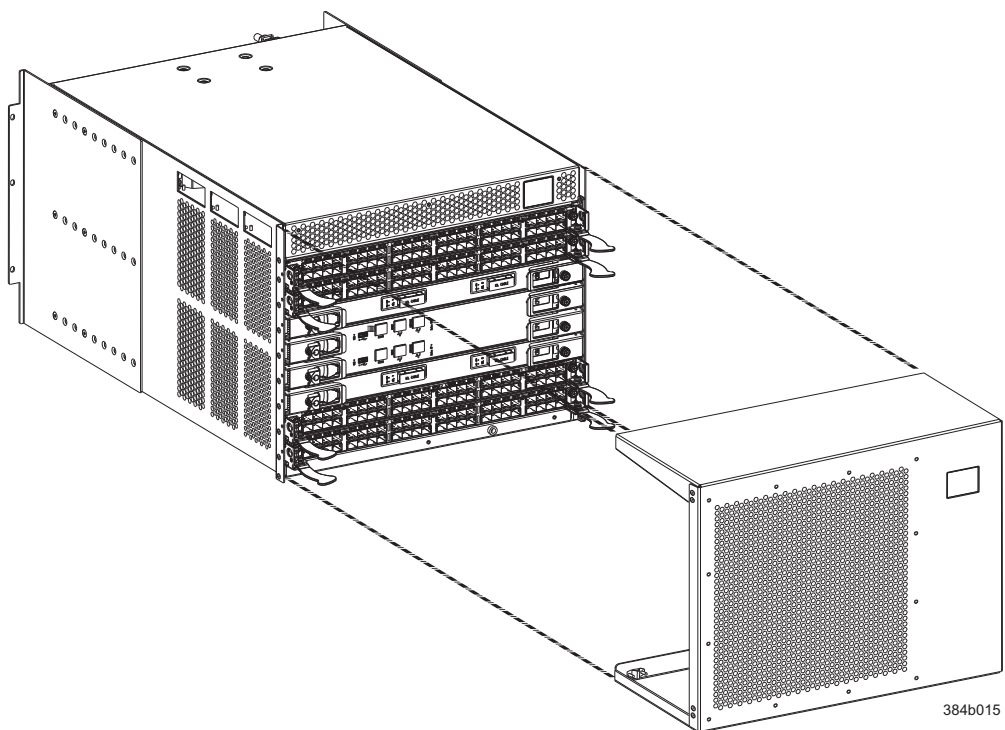


Figure 31. Chassis door

---

## Removing and installing cable management finger assemblies

The SAN384B comes equipped with two vertical cable management finger assemblies. It can continue to operate during the replacement of the cable management assemblies. Due to the horizontal orientation of the blades, the cable management assemblies are attached to the uprights of the mounting rack.

### Time and items required

The replacement procedure for the cable management fingers takes less than five minutes. A #1 Phillips screwdriver is required.

### Removing a cable management finger assembly

To remove the cable management finger assembly:

1. Remove the chassis door.
2. Remove the cables from the cable management finger assembly and rearrange the cables around the assembly.
3. Unscrew and save the two screws that attach the cable management assembly to the rack upright (see Figure 32 on page 63). Support the assembly to prevent it from falling.
4. Remove the cable management assembly.
5. If necessary, repeat steps 1-3 for the other cable management assembly.

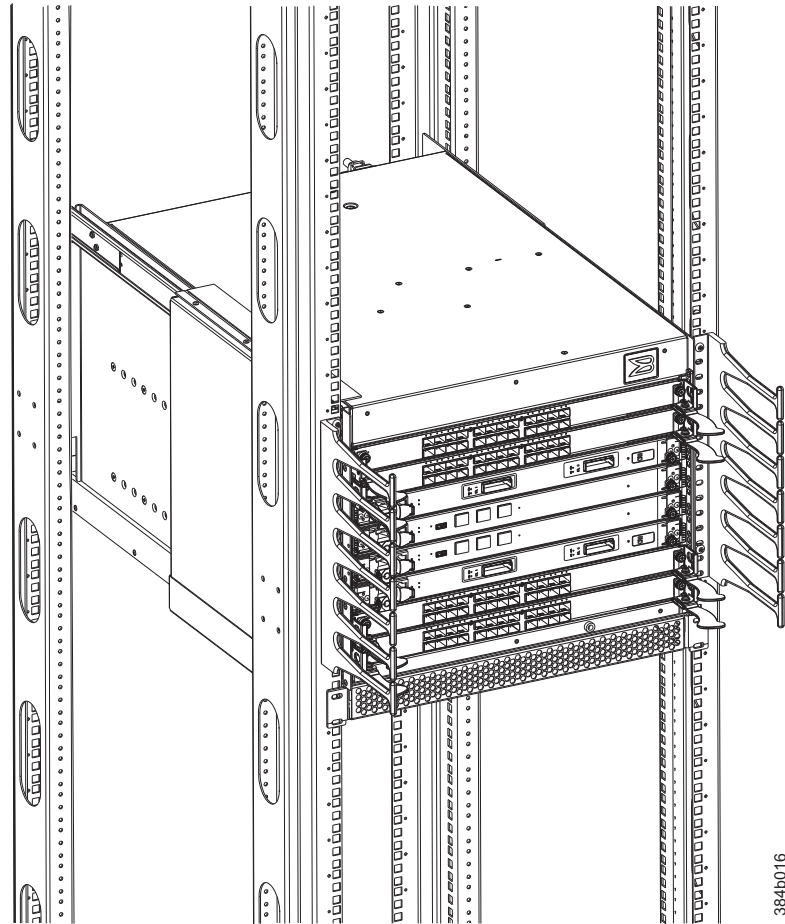


Figure 32. Cable management finger assemblies

## Installing a cable management finger assembly

To install a cable management finger assembly:

1. Position the vertical cable management finger assembly along the upright rails of the rack, aligning the holes on the assembly with the holes in the SAN384B chassis.
2. Insert and tighten the two screws to secure the cable management assembly to the rack's vertical rails.

**Note:** Three screws secure the chassis to the cabinet vertical rails, two of which are also used to secure the cable management assembly. The holes on the assembly will only match two of the holes on the chassis at a time. This will allow the cable management assemblies to be mounted either towards the top or towards the bottom of the chassis, depending on cable density and desired cable routing.

3. Arrange the cables through the fingers of the cable management assembly.
4. Repeat steps 1-3 for the other cable management assembly.
5. Replace the chassis door.

---

## Removing and installing port and application blades

This section describes how to remove and install port and application blades.

**Attention:** A blade should be removed only when being replaced with another blade or a filler panel. Any slot that is not occupied by a blade should be occupied by a filler panel to ensure correct cooling of the chassis and protection from dust.

Slots are numbered from 1 through 8, from bottom to top when facing the port side of the SAN384B. Port, application, and router blades can be installed in slots 1–2 and 7–8.

**Attention:** Follow ESD precautions (see “ESD precautions” on page xviii) for removal or replacement of any blades.

### Time and items required

The replacement procedure for each blade takes 5 to 25 minutes, depending on the number of ports, transceivers, and cables involved. The following items are required for the blade and filler panel replacement:

- ESD (electrostatic discharge) grounding strap
- Workstation computer
- Replacement blade or filler panel
- #2 Phillips screwdriver
- Small form-factor pluggable (SFP, SFP+, or mSFP) or extended form-factor pluggable (XFP) (FC10-6 blade only) transceivers (as needed)
- Optical cables (as needed)

### Removing a blade

To remove a port or router blade, do the following:

**Attention:** Follow ESD precautions (see “ESD precautions” on page xviii) for removal or replacement of any blade.

1. Remove the chassis door. (See “Removing and installing the chassis door” on page 61.)
2. Check the power LED, status LED, and port status LEDs to identify any possible problems. A failed port or router blade can be identified by inspecting the LEDs on the front panel of each blade. See Figure 18 on page 46 to Figure 23 on page 49 for LED locations.
3. Establish a Telnet or console session.  
Before installing a blade, establish a Telnet or console connection to determine a failure and verify operation after installation. Use the **slotShow** command to view the status of blades.
4. Check for adequate cable slack. Ensure there is plenty of cable slack to remove a blade without cable obstruction.
5. Ensure that the part number on the unit being installed matches the replacement part number. The **chassisShow** command displays information about the blades, including part numbers, serial numbers, and additional status.
6. Ensure that traffic is not flowing through the blade (port status LED should be off) prior to disconnecting cables.

**Note:** Before removing any cables from a blade, note the cable order (identify each cable by its physical port). If multiple blades are being installed, install one blade at a time. Labeling the cables before removal is recommended.

**Note:** If multiple blades are being replaced, replace one blade at a time.

7. Disconnect all cables and the SFP, SFP+, or XFP transceivers from the blade. For mSFP transceivers(FC8-64 only), it is recommended that you use the pull tab to remove the transceiver from the blade before removing the cable from the transceiver.
8. Perform the appropriate action based on the type of blade:
  - **For FC8-16, FC8-32, FC8-48, and FC8-64, port blades and the FX8-24 and FCOE10-24 application blades:** Unscrew the two thumbscrews from the left and right ejectors on the blade using the Phillips screwdriver. Unscrew the left thumbscrew until it pops out. This initiates a hot-swap request. Adjust the ejectors to the open position (Figure 33),
  - **For FC10-6 port blade and FR4-18i router blades:** Turn the blade off by sliding the slider switch in the left ejector to the right, to the off position. This initiates a hot-swap request.

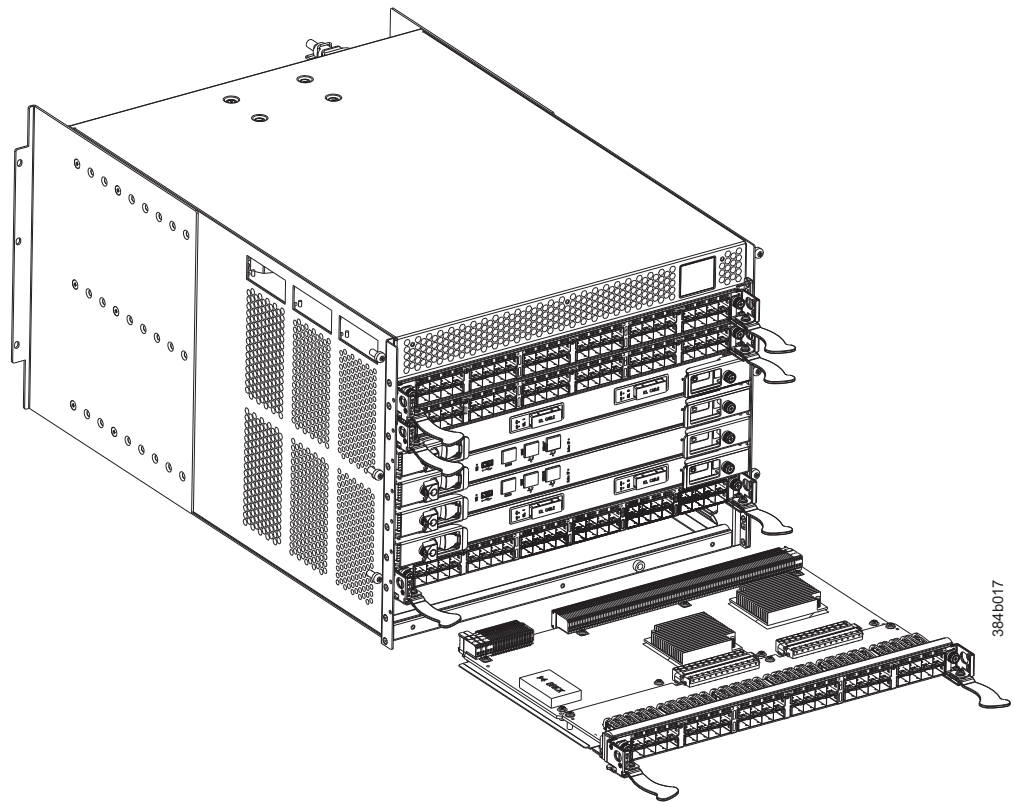


Figure 33. Port blade removal and installation (48-port blade shown as example)

9. Wait for the power LED to turn off in response to the hot-swap request before removing the blade.
10. Perform the appropriate action based on the type of blade:

- For FC8-16, FC8-32, FC8-48, and FC8-64, port blades and the FX8-24 and FCOE10-24 application blades Open the ejectors by pulling them toward the center of the blade face. Pull the blade out of the chassis using the ejectors (Figure 33 on page 65).
  - For FC10-6 port blade and FR4-18i router blades: Unscrew the two thumbscrews from the left and right ejectors on the blade using the Phillips screwdriver. Open both ejectors simultaneously to approximately 45 degrees and pull the blade out of the chassis.
11. If the blade is not being replaced by another blade, install a filler panel. See “Installing a filler panel” on page 67.

## Installing a blade

To install a port blade, do the following:

**Attention:** Follow ESD precautions (see “ESD precautions” on page xviii).

**Note:** An FA4-18i routing blade and the SAN384B must have the same version of firmware. To upgrade firmware versions, refer to the *Fabric OS Administrator’s Guide*. See also “Fabric OS firmware updates” on page 43.

1. Orient the blade so that the ports are at the front of the chassis and the flat side of the blade is on the bottom.
2. Perform the appropriate following action based on the type of blade:
  - For FC8-16, FC8-32, FC8-48, and FC8-64, port blades and the FX8-24 and FCOE10-24 application blades Adjust the ejectors to the open position, align the flat side of the blade inside the left and right rail guides in the slot, and slide the blade into the slot until it is firmly seated.
  - For FC10-6 port blade and FR4-18i router blades: Open the ejectors to approximately 45 degrees, align the flat side of the port blade inside the left and right rail guides in the slot, and slide the blade into the slot until it is firmly seated.
3. Perform the appropriate following action based on the type of blade:
  - For FC8-16, FC8-32, FC8-48, and FC8-64, port blades and the FX8-24 and FCOE10-24 application blades Adjust the ejectors to the closed position by pulling them away from the center of the blade.
  - For FC10-6 port blade and FR4-18i router blades: Close the ejectors by pushing the handles toward the center of the blade until the ejectors lock. The levering action of the handles seats the blade in the slot.
4. Perform the appropriate following action based on the type of blade:
  - For FC8-16, FC8-32, FC8-48, and FC8-64, port blades and the FX8-24 and FCOE10-24 application blades Tighten the left and right thumb screws using the Phillips screwdriver.
  - For FC10-6 port blade and FR4-18i router blades: Tighten the thumb screw inside each handle using the Phillips screwdriver.
5. Perform the appropriate following action based on the type of blade:
  - For FC8-16, FC8-32, FC8-48, and FC8-64, port blades and the FX8-24 and FCOE10-24 application blades Skip to step 6.
  - For FC10-6 port blade and FR4-18i router blades: Turn the blade on by sliding the slider switch in the left ejector to the left, covering the thumb screw.

6. Verify that the power LED on the blade displays a steady green light (it might require a few seconds to turn on). If it does not turn on, ensure that the blade is firmly seated.
7. Install the SFP, SFP+, or XFP (FC10-6 only) transceivers and cables in the port blade. For mSFP (FC8-64 only) transceivers, it is recommended that you install the cables in the transceivers before installing the transceivers in the blade.
8. Group and route the cables through the vertical cable management fingers.
9. Install the chassis door.

---

## Removing and installing blade filler panels

This section describes how to remove and install port blade filler panels.

### Removing a filler panel

**Attention:** A filler panel should be removed only when being replaced with a port blade or new filler panel. Any slot that is not occupied by a blade should be occupied by a filler panel to ensure correct cooling of the chassis and protection from dust.

To remove a filler panel, do the following:

1. Remove the chassis door (“Removing and installing the chassis door” on page 61).
2. Unscrew the thumb screws at the right end of the panel using the Phillips screwdriver.
3. Pull the filler panel out of the chassis, using the handles on the filler panel (Figure 34).

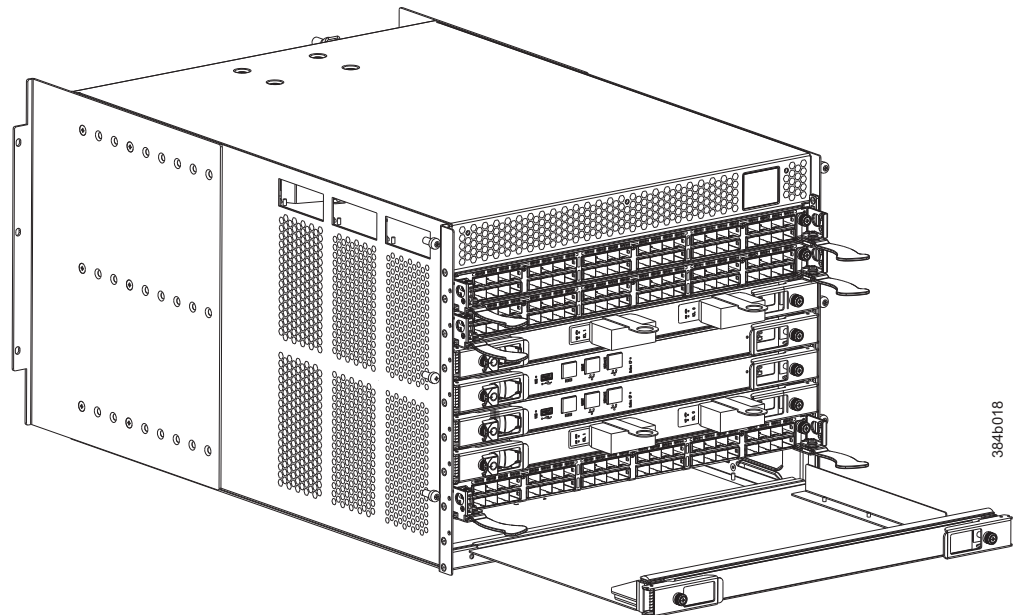


Figure 34. Filler panel removal and installation

### Installing a filler panel

To install a filler panel, do the following:

1. Orient the filler panel in front of the empty slot (see Figure 34).

2. Slide the filler panel into the slot until it is firmly seated.
3. Tighten the thumb screws at the right end of the panel.
4. Install the chassis door (see "Removing and installing the chassis door" on page 61).

---

## Removing and installing a CP8 control processor blade

This section describes how to remove and install a control processor (CP8) blade. Each SAN384B has two CP8 blades located in slot 4 and slot 5.

**Note:** If the new CP blade does not have the same firmware as the active CP blade, the new blade must be upgraded to the same firmware version. Refer to the *Fabric OS Administrator's Guide* for information. Also see "Fabric OS firmware updates" on page 43.

### Time and items required

The installation procedure for the CP blade takes approximately 30 minutes. The following items are required for the CP blade installation:

- ESD (electrostatic discharge) grounding strap
- Workstation computer
- Serial cable
- IP address of an FTP server for backing up the SAN384B configuration
- #2 Phillips screwdriver
- Replacement CP blade. The SAN384B requires the CP8 blade.

### Verifying the need for replacement

Confirm that you need to install the CP blade. The following events might indicate that a CP blade is faulty:

- The status LED on the CP blade is lit amber, or the power LED is not lit.
- The CP blade does not respond to Fabric OS commands, or the serial console is not available.
- The **slotShow** command does not show that the CP blade is enabled.
- The **haShow** command indicates an error.
- The clock is inaccurate, or the CP blade does not boot up or shut down normally.
- Any of the following messages display in the error log:
  - "Slot unknown" message relating to a CP slot
  - CP blade errors or I<sup>2</sup>C timeouts
  - FRU: FRU\_FAULTY messages for a CP blade
  - Configuration loader messages or "Sys PCI config" messages
  - Generic system driver messages ("FABSYS")
  - Platform system driver messages ("Platform")
  - EM messages that indicate a problem with a CP blade
  - Function fail messages for the CP master

For more information about error messages, refer to the *Fabric OS Message Reference*.



## Recording critical SAN384B information

Back up the SAN384B configuration before you replace a CP blade. Refer to the *Fabric OS Administrator's Guide* for backup information.

1. Login to the functioning CP blade as admin, using either a Telnet or a serial console connection.
2. Enter **haShow** to determine which CP blade is active:

```
swDir:admin> haShow
Local CP (Slot 7, CP1) : Active
Remote CP (Slot 6, CP0) : Standby, Healthy
HA Enabled, Heartbeat Up, HA State Synchronized
```
3. Enter all remaining commands from the serial console for the active CP blade, unless otherwise indicated. For more information about commands, refer to the *Fabric OS Command Reference*.
4. If one CP blade is faulted, confirm that the other CP blade is now the active CP blade and log in to the active CP blade and skip to step 7
5. If both CP blades are healthy and you want to replace the standby CP blade, log in to the active CP blade and skip to step 7.
6. If both CP blades are healthy and you want to replace the active CP blade, log in to the active CP blade and run the following steps:
  - a. Run the **haFailover** command to make the standby CP blade the active blade. The currently active CP blade becomes the standby blade. Wait until the status LED on the currently active CP blade is no longer lit.
  - b. Confirm the completion of the failover by running the **hashow** command.
  - c. Log in to the new active CP blade.
  - d. Run the **firmwareShow** command to confirm the firmware version of the active CP blade.
  - e. Run the **haDisable** command to prevent failover or communication between the CP blades during the replacement.
  - f. Continue with step 7.
7. Enter **firmwareShow** to note the firmware version of the active CP blade.
8. Enter **haDisable** from the active CP blade to prevent failover or communication between the CP blades during the replacement.
9. Logged into the active CP, run the following two steps to upload the system configuration to a specified FTP server. Enter information at the prompts.
  - a. Enter the **configupload -vf** command. This command uploads the system virtual fabric data.
  - b. Enter the **configupload** command. This command uploads the system configuration.

## Removing a control processor blade (CP8)

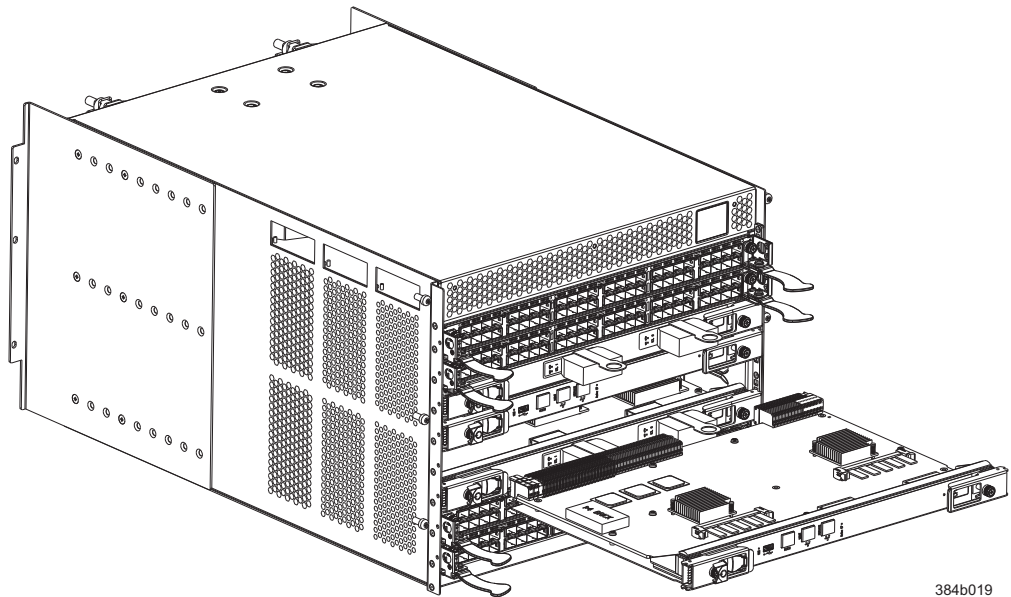
The SAN384B continues to operate while a CP blade is being installed if the redundant CP blade is active and a failover does not occur. You can prevent failover by entering the **haDisable** command.

**Attention:** Follow ESD precautions (see “ESD precautions” on page xviii) when handling any blades.

**Note:** The CP8 blade is compatible only with the SAN384B and SAN786B products.

To remove a CP blade, do the following:

1. Remove the chassis door. (See “Removing and installing the chassis door” on page 61.)
2. Power off the blade you are replacing by sliding the slider switch in the left ejector to the right, to the off position.
3. Disconnect all cables from the CP blade you are replacing.
4. Unscrew the thumb screws from both ejectors using the Phillips screwdriver.
5. Lever open both ejector handles simultaneously to approximately 45 degrees and pull the CP blade out of the chassis (see Figure 35).



384b019

Figure 35. Removing the control processor (CP8) blade

## Installing a control processor blade (CP8)

**Attention:** Follow ESD precautions (see “ESD precautions” on page xviii) whenever handling a blade.

To install a CP blade (slot 4 or 5):

1. Open the ejector handles to approximately 45 degrees. Orient the CP blade so that the handles are toward you and the flat metal side is on the bottom.
2. Align the flat metal side of the CP blade inside the left and right blade guides in the slot. Slide the CP blade into the slot until it is firmly seated.
3. Tighten the thumb screws inside each handle using the Phillips screwdriver.
4. Turn the CP blade on by sliding the ON/OFF switch in the left handle to the left, to cover the thumb screw.
5. Verify that the power LED is green. If not, ensure that the CP blade has power and is firmly seated and that the ejectors are in the locked position.
6. Connect the cables to the new CP blade.
7. Remain logged in to the active CP and continue to “Verifying operation of the new CP blade” on page 71.

## Verifying operation of the new CP blade

To verify that boot and POST are complete on the new CP blade and that the CP blade has achieved failover redundancy, complete the following steps.

1. Enter **slotShow**. The command output shows the new CP blade as “enabled.”
2. Determine the version by entering **firmwareShow**.
3. If the firmware versions for both CP blades are the same, skip to step 8 under “Downloading firmware from an FTP server.”
4. If the firmware version on the replacement blade does not match that on the active CP blade, a warning message appears with the results of the **firmwareShow** command. You must bring the replacement blade to the same firmware level as the active blade using the **firmwareDownload -s** command to bring it up to the proper level. If you are using an FTP Server to download the firmware, skip to “Downloading firmware from an FTP server.” If you are using a USB device to download the firmware, skip to “Downloading firmware from a USB drive” on page 72.

## Downloading firmware from an FTP server

1. Log out of the active CP blade and log in to the standby CP blade.
2. Enter **firmwareDownload -s** to download the firmware to the standby CP blade. The **-s** option also disables the autoreboot, so you will have to manually issue a reboot after the download finishes to initiate **firmwareCommit**. Enter all requested information (use default values).
3. To download firmware, go to [www.ibm.com/servers/storage/support/san](http://www.ibm.com/servers/storage/support/san) and select your product, then click on the **Download** tab. Select the appropriate firmware version and release notes version. Enter all requested information (use default values):
4. Enter **firmwareDownloadStatus** to verify that the firmware has been updated.
5. Ensure that you are still logged in to the standby CP blade (the blade for which you just changed the firmware level) and type **reboot**. The reboot of the standby CP will initiate a firmwarecommit to the secondary partition and log you out.
6. Log back in to the standby CP blade and type **firmwareDownloadStatus** on the standby CP blade to validate a successful commit. This may take up to 10 minutes.
7. Log out of the standby CP blade and log in to the active CP blade.
8. Type **haEnable** to re-enable HA on the active CP blade.

**Note:** For Fabric OS 6.3.0 and later, **haEnable** will cause the standby CP blade to reboot. Wait until the power cycles and the POST completes before moving to the next step.

9. Type **haShow** and verify that the command output includes “HA Enabled Heartbeat Up”. If not, re-enter the command until you have verified that redundancy is achieved.
10. Type **version** or **firmwareShow** to verify that the firmware version has been updated.
11. Pack the faulty CP blade in the packaging provided with the new CP blade for return to IBM, following local procedures.
12. Install the chassis door (See “Removing and installing the chassis door” on page 61.)

## Downloading firmware from a USB drive

Firmware can be downloaded from a Brocade USB drive. The folder structure on the USB device must be as follows in order to allow the device to be enabled:

```
brocade>
  config
  firmware
  firmwareKey
  support
```

The firmware folder contains the folder for the specific release you are installing.

1. Insert the USB drive into the USB port of the active CP blade.
2. Attach a serial cable from the PC to the active CP blade.
3. Log in to the active CP blade and enter **usbStorage - e** to enable the USB device.
4. Remove the serial cable from the active CP blade and attach it to the standby CP blade.
5. Enter **firmwareDownload -s -U vX.X.X** (where X.X.X is the firmware version you are downloading) to download the firmware to the standby CP blade. The **-s** option also disables the autoreboot, so you must manually issue a reboot after the download finishes to initiate firmwarecommit. Enter all requested information (use default values). The **-U** option indicates that the download should come from the USB device. If you do not use this option, you are prompted with *Download from USB [No]*; Enter **Y** to download from the USB device.
6. When the download process finishes, type **firmwareDownloadStatus** to verify that the firmware has been updated.
7. Ensure that you are still logged in to the standby CP blade (the blade for which you just changed the firmware level) and type **reboot**. The reboot of the standby CP will initiate a firmwarecommit to the secondary partition and log you out.
8. Log back in to the standby CP blade and type **firmwareDownloadStatus** on the standby CP blade to validate a successful commit. This may take up to 10 minutes.
9. Log out of the standby CP blade and log in to the active CP blade.
10. Type **haShow** and verify that the command output includes "HA enabled, Heartbeat Up, HA State synchronized". If not, re-enter the command until you have verified that redundancy is achieved.
11. Type **firmwareShow** to verify that the firmware version has been updated and that the versions are the same on the two CP blades.
12. Pack the faulty CP blade in the packaging provided with the new CP blade for return to IBM, following local procedures.
13. Install the chassis door ("Removing and installing the chassis door" on page 61).

---

## Removing and installing a CR4S-8 core switch blade

This section describes how to remove and install a core switch blade. The SAN384B has two core switch blades: one in slot 3 and one in slot 6. Note that the blade shown in Figure 36 on page 74 is shown with EMI plugs installed.

## Time and items required

The installation procedure for the core switch blade takes approximately 30 minutes. The following items are required for the core switch blade replacement:

- ESD grounding strap
- #2 Phillips screwdriver
- Replacement CR4S-8 core switch blade.

## Verifying the necessity of installation

Confirm that you need to replace the core switch blade before continuing. The following events might indicate that a core switch blade is faulty:

- The status LED on the core switch blade is lit amber, or the power LED is not lit.
- The **slotShow** command does not show that the core switch blade is enabled.
- The **haShow** command indicates an error.
- Any of the following messages display in the error log:
  - “Slot unknown” message relating to a core switch blade slot
  - core switch blade errors or I<sup>2</sup>C timeouts
  - FRU: FRU\_FAULTY messages for a core switch blade
  - Configuration loader messages or “Sys PCI config” messages
  - Generic system driver messages (“FABSYS”)
  - Platform system driver messages (“Platform”)
  - Error messages that indicate a problem with a core switch blade
  - Function fail messages for the core switch blade master

For more information about error messages, refer to the *Fabric OS Message Reference*.

## Removing a CR4S-8 core switch blade

The SAN384B continues to operate while a core switch blade is being replaced.

**Attention:** Follow ESD precautions (see “ESD precautions” on page xviii) whenever handling blades.

**Note:** The CR4S-8 blade is compatible only with the SAN384B.

1. Remove the chassis door (see “Removing and installing the chassis door” on page 61).
2. Power off the blade by sliding the slider switch in the left ejector to the right, to the off position. Do not eject the blade until the power LED has gone off and you have completed the next two steps.
3. Disconnect all cables from the faulty core switch blade. If ICL cables are not used, remove the EMI plugs from the cable sockets.
4. Unscrew the thumbscrews from both ejectors using the Phillips screwdriver.
5. Open both ejectors simultaneously to approximately 45 degrees and pull the core switch blade out of the chassis (Figure 36 on page 74).

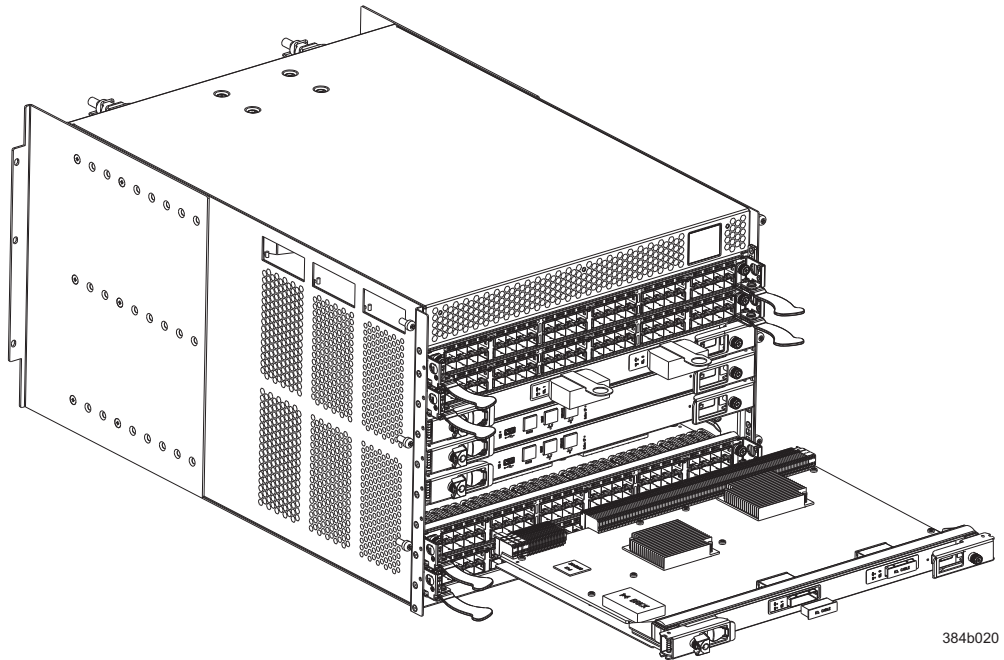


Figure 36. Removing and replacing the core switch blade

## Installing a CR4S-8 core switch blade

**Attention:** Follow ESD precautions (see “ESD precautions” on page xviii) whenever handling blades.

To install a CR blade (slot 3 or 6), do the following:

1. Open the ejector handles to approximately 45 degrees; then, orient the CR blade so that the handles are toward you and the flat metal side is on the bottom.
2. Align the flat metal side of the core switch blade inside the left and right blade guides in the slot; then, slide the core switch blade into the slot until it is firmly seated.
3. Close the ejector handles and then tighten the thumbscrews inside each handle using the Phillips screwdriver.
4. Turn the core switch blade on by sliding the ON/OFF switch in the left handle to the left, to cover the thumbscrew.
5. Verify that the power LED is green (this might require a few seconds). If not, ensure that the core switch blade has power and is firmly seated and that the ejectors are in the locked position.
6. Connect the cables to the new core switch blade. If ICL cables are not used, insert EMI plugs into the cable sockets.
7. Install the chassis door. (See “Removing and installing the chassis door” on page 61.)
8. Pack the faulty core switch blade in the packaging provided with the new core switch blade for return to IBM, following local procedures.

## Removing and installing a power supply

Use this procedure to remove and replace a power supply. The SAN384B can continue operating during the replacement if the other power supply is operating.

**Note:** The SAN384B base configuration includes two power supplies for full redundancy. Operating the system with a single functioning power supply runs the risk of data loss in the event of a second power supply failure. Both power supply slots should remain filled to ensure proper air circulation for system cooling.

### Time and items required

The installation procedure for each power supply takes less than 5 minutes. A power supply unit or filler panel is required for the power supply installation.

### Removing a power supply

Figure 37 shows the location of the two power supplies, which are located at the top of the non-port side of the SAN384B.

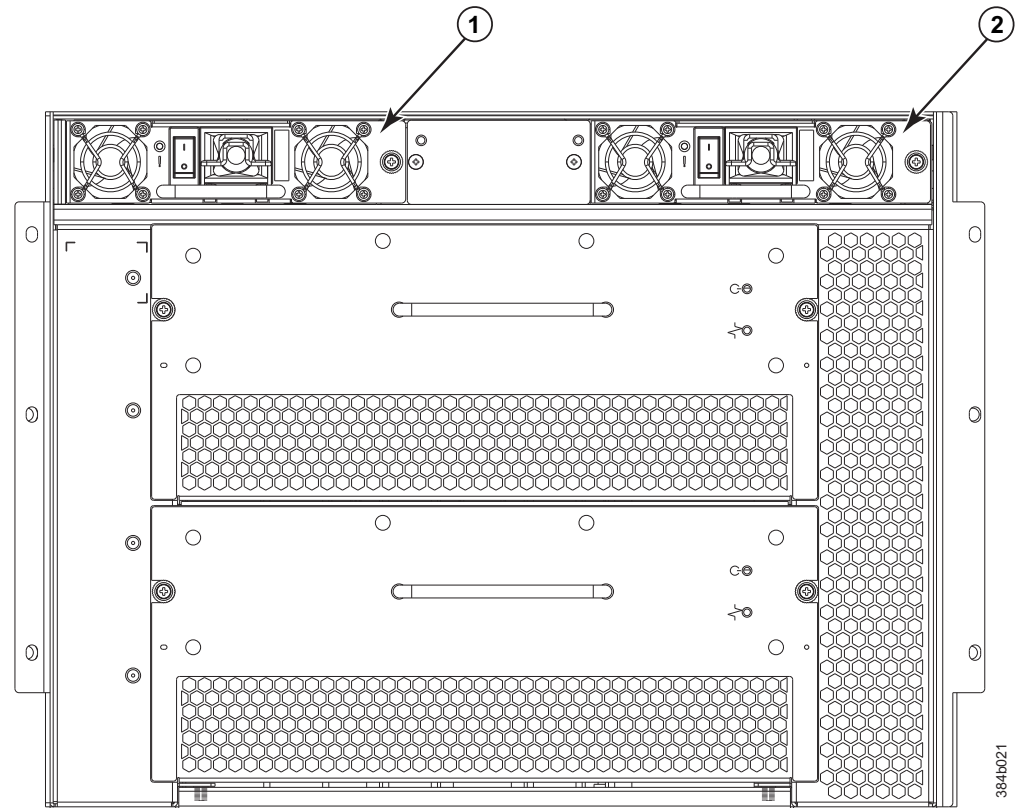


Figure 37. Location of the two power supplies

**1** Power supply 1 (PS1)      **2** Power supply 2 (PS2)

1. Perform the appropriate following action based on whether the SAN384B is operating:
  - If the SAN384B is not operating during the replacement procedure, go to step 2.

- If the SAN384B is going to continue operating during the replacement, check the power LEDs to verify that the remaining power supply is functioning. The SAN384B requires a minimum of one power supply at all times to function.
2. Turn off the power switch on the power supply you are replacing.
  3. Disconnect the power cord.
  4. Loosen the thumbscrew, using a Phillips screwdriver if necessary.
  5. Grasp the handle and pull, sliding the power supply from the chassis (see Figure 38). Support the power supply from beneath as you remove it.
  6. If you are not immediately replacing the power supply, insert and attach a power supply filler panel into the slot.

**Note:** Two power supplies are required to provide redundancy, protecting against potential data loss.

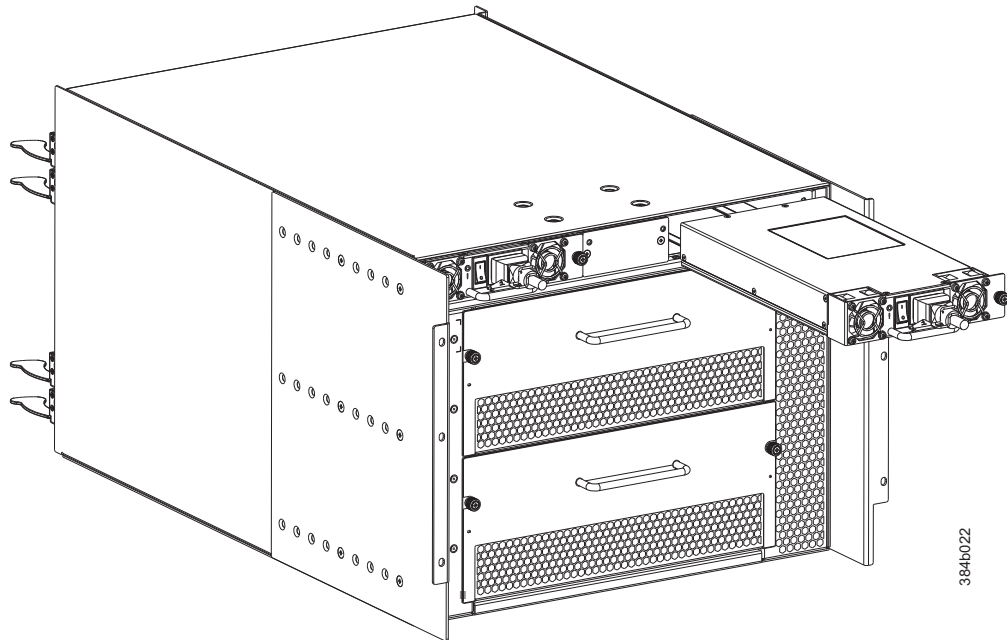


Figure 38. Removing and installing a power supply

## Installing a power supply

To install a power supply, do the following:

1. Remove any filler panels that were temporarily installed.
2. Insert the power supply into the slot. Verify that the power supply is seated by gently pulling on the handle. The power supply should resist movement as you pull.
3. Tighten the thumbscrew.
4. Connect the power cord.
5. Move the power supply switch to the on position.
6. Verify that the power LED on the power supply displays a steady green light.



---

## Removing and installing a blower assembly

This procedure provides instructions for removing and installing a blower assembly.

**Attention:** The system can continue operating during the replacement if the second blower assembly is operating. To ensure continuous adequate cooling, maintain both blower assemblies except for the brief period during replacement.

### Time and items required

The installation procedure for each blower assembly takes less than 5 minutes. The following items are required for the blower assembly installation:

- Replacement blower assembly
- #2 Phillips screwdriver

### Removing a blower assembly

To remove a blower assembly, do the following:

1. Before removing a blower assembly, verify that the other blower assembly is functioning correctly. The power LEDs should be steady green.
2. Use the screwdriver to loosen the captive screws at the left and right of the blower assembly.
3. Grasp the handle and pull, sliding the blower assembly from the chassis and supporting the blower assembly from beneath as you remove it (see Figure 39 on page 78).

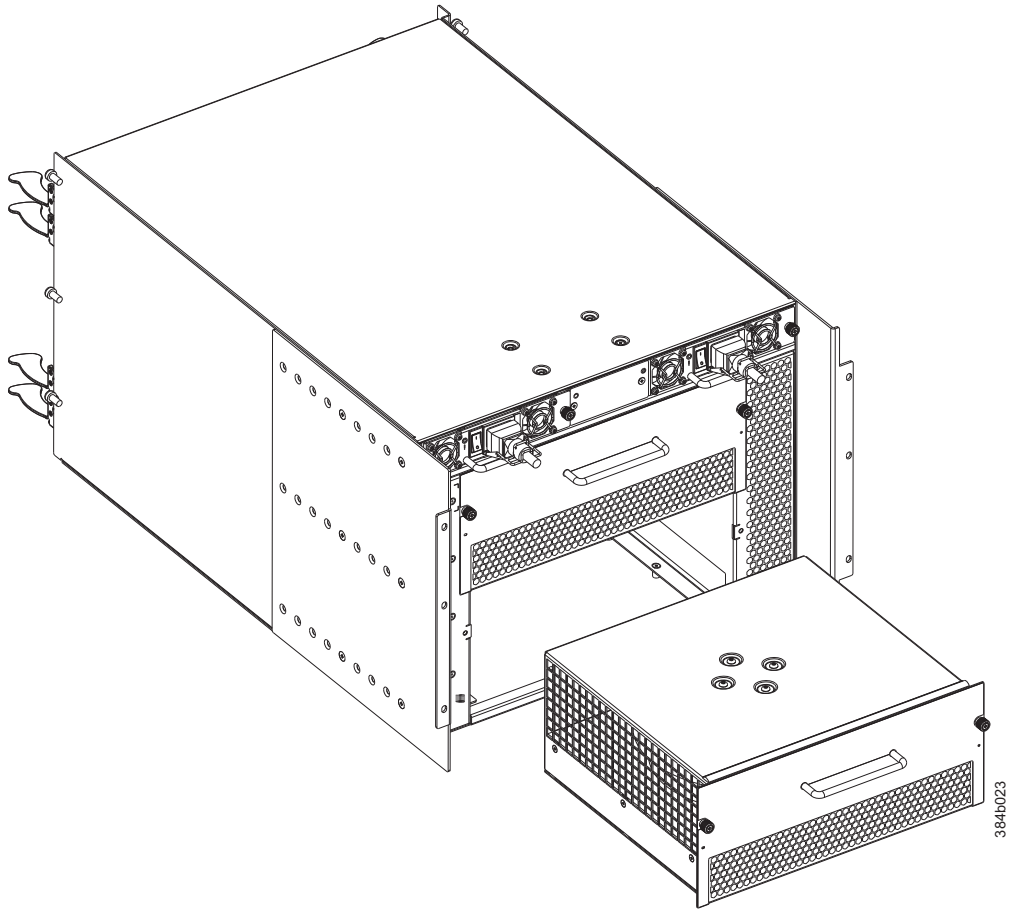


Figure 39. Blower assembly removal and replacement

## Installing a blower assembly

To install a blower assembly, do the following:

1. Orient the blower assembly and slide it into the chassis, pushing firmly to ensure that it is seated.
2. Verify that the power LED displays a green light.
3. Use the screwdriver or your fingers to tighten the captive screws.

---

## Removing and installing a WWN bezel and WWN card

**Note:** The World Wide Name (WWN) cards contain fully redundant circuits and normally do not require replacement. Two WWN cards are located beneath the WWN bezel.

### Time and items required

Allow approximately 20 minutes to install a WWN card. The following items are needed to install a WWN card:

- ESD grounding strap
- #2 Phillips screwdriver (required only for some versions of the WWN card)

- If a serial console session is used: serial cable and a workstation computer with a terminal emulator application (such as HyperTerminal for Windows systems or TIP for UNIX systems)

## Verifying necessity of installation

Before installing a WWN card, verify that the installation is necessary. Any of the following events can indicate that the card requires replacement:

- Status LED on WWN card (beneath the bezel) indicates a problem
- Problems viewing or modifying the data stored on the WWN card (see Table 15).
- Error messages regarding WWN units #1 or #2 (see Table 16).

**Note:** Power and status LEDs for the blades are not on the WWN card. Those LEDs can be viewed directly on the blades themselves.

## Determining the status of a WWN card

To determine the status of a WWN card, do the following:

1. Check the WWN card status using the commands listed in Table 15. Difficulty retrieving or modifying this data could indicate a WWN card failure.

Table 15. Commands identifying the WWN card status

Data	Related commands
WWN values	<b>wwn, chassisShow</b>
Data about the chassis and WWN card	<b>chassisShow</b>
Ethernet and Fibre Channel IP address information for the CP blades	<b>ipAddrShow, ipAddrSet</b>
History log information	<b>historyShow, historyLastShow</b>
Name of switch	<b>switchName</b>
Name of chassis	<b>chassisName</b>

2. Enter the **chassisShow** command to display information about the WWN card. WWN units correspond to information specific to the WWN card. An error message is logged that indicates the status of the WWN unit (see Table 16).

Table 16. WWN card related system log messages

Type of message	System message (errshow or errdump)
WWN unit removal was detected	<timestamp>, [EM-1050], <sequence-number>,, INFO, <system-name>, FRU WWN # removal detected.
WWN unit insertion was detected	<timestamp>, [EM-1049], <sequence-number>,, INFO, <system-name>, FRU WWN # insertion detected.
WWN unit fails to power on	<timestamp>, [EM-1004], <sequence-number>,, CRITICAL, <system-name>, WWN # failed to power on
WWN unit is being faulted	<timestamp>, [EM-1034], <sequence-number>,, ERROR, <system-name>, WWN # set to faulty, rc=<return code>

## Removing the WWN bezel and WWN card

**Attention:** Follow ESD precautions (see “ESD precautions” on page xviii) whenever handling cards or blades.

1. Open a Telnet session to the SAN384B and log in to the active CP as **admin**. The default password is **password**.

2. Verify you are logged into the active CP. Run the **haShow** command to determine the active CP.
3. Remove the two screws from the WWN bezel . Pull the bezel away from the chassis and set it aside (see Figure 40). The WWN cards and their status LEDs are visible.
4. Enter **fruReplace wwn** from the active CP blade and wait for the phrase, "Do you wish to continue [y/n]?" to display; then enter **y**.
5. Wait until the WWN card data is backed up. *Do not* enter **continue** until the mechanical replacement is complete.

```
switch:admin> frureplace wwn
This is the WWN card hot swap interface.
Continuing from this point will require
the whole process to be completed.
If this process is not complete due to a
power cycle, or CP failover, please follow
the recovery procedure in
Core Switch WWN Card Removal and
Replacement document.
Do you wish to continue [y/n]? y
Backing up WWN card data, please wait about 25 seconds for further instruction.
Please install the new FRU now.
```

If this session lost for any reason, please re-enter the frureplace command and follow the instructions to complete the operation.

Please enter the word `continue' after the new WWN card has been installed:

6. Wait until all the LEDs on the WWN bezel turn off.
7. Use a Phillips screwdriver to unscrew the screw that secures the WWN card to the chassis. Use the pull tab to remove the card.
8. Disconnect the WWN cable by depressing the cable connector latch and pulling the connector from the WWN module.
9. Set the WWN card on a static-free surface, such as a grounding pad.

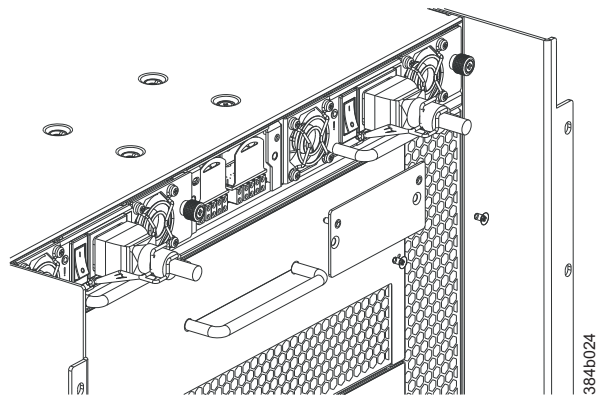


Figure 40. WWN bezel and card removal and installation

## Installing the WWN bezel and WWN card

To install the WWN bezel and WWN card, do the following:

**Attention:** Follow ESD precautions (see "ESD precautions" on page xviii) whenever handling cards or blades.

1. Unpack the new WWN card and save the packaging for returning the faulty WWN card.

2. Hold the card by the pull tab and insert the WWN cable onto the WWN module until it is fully seated. Use the Phillips screwdriver and the two screws to attach the WWN card to the chassis.

**Note:** If a serial console session is active, several “removal detected” and “insertion detected” messages display on the console because of the replacement.

3. In the CLI session, enter **continue** to indicate that the replacement has been completed.

Please enter the word `continue' after the new WWN card has been installed:  
**continue**

```
Restoring the information to the replacement FRU now, please
wait about 20 seconds to complete
Verifying the replacement FRU now...
WWN card hot swap is now complete.
FRU replacement completed successfully!
```

4. If the command fails for any reason, do not reboot or power off the system. Repeat the **FRUREPLACE WWN** command which will attempt to recover the WWN card.
5. Verify that the WWN card is correctly connected by checking the LED on the WWN card.

**Note:** The LED might take up to 2 minutes after WWN card installation to begin functioning.

6. Install the WWN bezel. Orient the bezel on the chassis (Figure 40 on page 80). Insert and tighten the two screws.
7. Pack the faulty WWN card in the packaging provided with the new card for return to IBM, following local procedures.

---

## Removing and installing transceivers

**Note:** For a listing of SFPs, SFP+, mSFPs, and XFPs compatible with this product:

- Go to the IBM SAN web page <http://www.ibm.com/systems/storage/san>
- Select the SAN384B product link
- On the SAN384B product page, click the **Interoperability Matrix** link.
- In the Interoperability matrix, click the **Transceivers** link.

**Note:** The 8-Gbps-capable mSFPs and SFP+s auto-negotiate at 2, 4, and 8 Gbps. The 4-Gbps SFPs auto-negotiate at 1, 2, and 4 Gbps. The mSFPs are compatible only with the FC8-64 high density port blade.

**Note:** The XFP transceivers are used only with the FC10-6 port card. They should not be used in any 1 GE port.

### Time required

The replacement procedure for a transceiver takes less than five minutes

### Items required

- Replacement mSFP, SFP, SFP+, or XFP
- Optical transceiver extraction tool (for SFP, SFP+, and XFP transceivers)

## Removing and replacing an SFP, SFP+, or XFP optical transceiver

The SAN384B comes with a transceiver extraction tool (see Figure 41) and holster. The extraction tool is designed to remove transceivers from blades where the space is limited. To use the extraction tool, slide the tool on to the bale of the transceiver and pull it out.

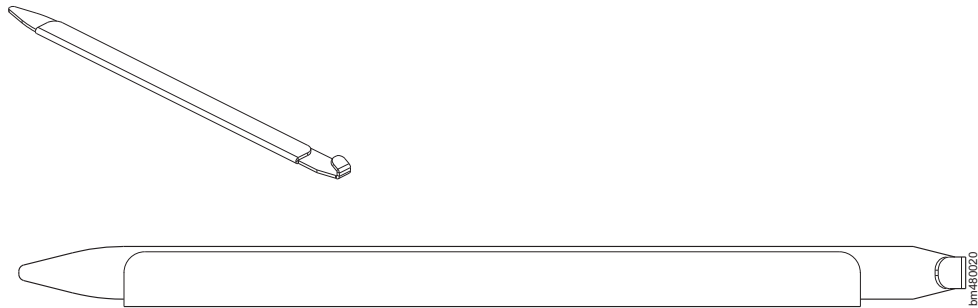


Figure 41. Optical transceiver (SFP, SFP+, and XFP) extraction tool

**Note:** This tool is part of the SAN384B ship group and should be kept with the chassis.

**Attention:** mSFP optical transceivers should not be inserted into ports intended for SFP or SFP+ transceivers. They will be faulted on power-up for Fabric OS 6.4.0 and later.

### Removing an SFP, SFP+, or XFP optical transceiver

To remove an SFP, SFP+, or XFP (FC6-10 blade only) transceiver, complete the following steps.

1. Remove any cables that are inserted into the transceiver. Use the extraction tool to open the cable latching mechanism.
2. Pull the bail (wire handle) **1** away from its pivot point and out, sliding the transceiver out of the port (Figure 42).

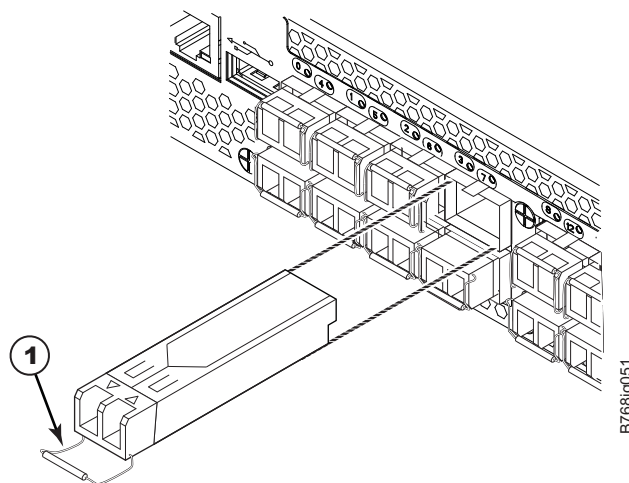


Figure 42. Replacing an optical transceiver

## Replacing an SFP, SFP+, or XFP transceiver

1. Position the optical transceiver so that the key is oriented correctly to the port. Insert the transceiver into the port until it is firmly seated and the latching mechanism clicks. Transceivers are keyed so that they can only be inserted with the correct orientation. If a transceiver does not slide in easily, ensure that it is correctly oriented.
2. Position a cable so that the key (the ridge on one side of the cable connector) is aligned with the slot in the transceiver. Insert the cable into the transceiver until the latching mechanism clicks. Cables are keyed so that they can be inserted in only one way. If a cable does not slide in easily, ensure that it is correctly oriented.

## Removing and replacing an mSFP optical transceiver

**Note:** mSFP optical transceivers should not be inserted into ports intended for SFP or SFP+ transceivers. They will be faulted on power-up For Fabric OS 6.4.0 and later.

To replace an mSFP transceiver, complete the following steps. Note that it is recommended that the optical cable should be either removed from or inserted into the mSFP while the transceiver is out of the switch or blade.

### Removing an mSFP transceiver

**Note:** The mSFP transceivers are used only with the FC8-64 port blade. Narrower OM-3 LC cables are used to connect the FC8-64. These cables are offered by several major manufacturers. Contact your IBM representative for options regarding different cable and patch panel configurations to simplify cable management with higher density FC8-64 port blades.

**Attention:** The pull tabs are not designed to be bent. Doing so may result in damage to the pull tab.

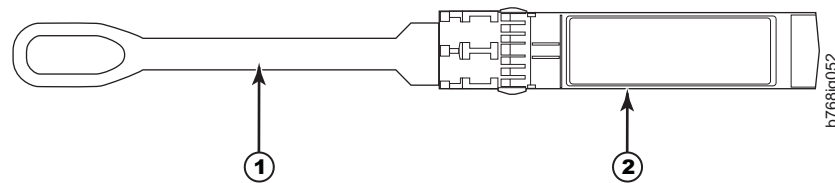


Figure 43. Optical mSFP transceiver

- |          |          |          |                  |
|----------|----------|----------|------------------|
| <b>1</b> | Pull tab | <b>2</b> | mSFP transceiver |
|----------|----------|----------|------------------|

1. Grasp the pull tab **1** firmly and pull the unit out of the port.
2. Remove the cable from the transceiver.

### Replacing an mSFP transceiver

1. Insert the cable into the new transceiver until the latching mechanism clicks.
2. Position the optical transceiver so that the key is oriented correctly to the port. Insert the transceiver into the port until it is firmly seated and the latching mechanism clicks. Transceivers are keyed so that they can only be inserted with the correct orientation. If a transceiver does not slide in easily, ensure that it is correctly oriented.

---

## Removing and installing inter-chassis link (ICL) cables

**Note:** ICL ports can be used only with an ICL license. After the addition or removal of a license, the license enforcement is performed on the ICL ports only when the **portDisable** and **portEnable** commands are issued on the ports. An ICL license must be installed on all systems forming the ICL connection. The systems can be any combination of up to three SAN384B and SAN768B chassis.

**Attention:** If ICL cables are not in use, the ports must have EMI plugs installed to meet EMI and other regulatory certifications.

Table 17 describes the ICL connector port LED patterns and the recommended actions for those patterns.

Table 17. ICL connector port LEDs

LED purpose	Color	Status	Recommended action
LINK LED	No light (LED is off)	No ICL, or ICL cable present but no connection.	Ensure that the ICL cable is correctly installed.
	Steady green	ICL connected.	No action required.
ATTN LED	No light (LED is off)	ICL operational.	No action required.
	Blinking amber	Attention required.	Ensure that the ICL cable is correctly installed.

Follow this procedure to remove and install the ICL cables. Refer to the *Fabric OS Administrator's Guide* for the configuration procedure and requirements.

Figure 44 on page 85 shows the two ends of an ICL cable. The ICL cables (2 meters long) and the ICL connectors are color-coded and labeled for ease of installation. The cables can connect ICL connector ports on the SAN384B core switch blades (CR4S-8) or SAN768B core switch blades (CR8).



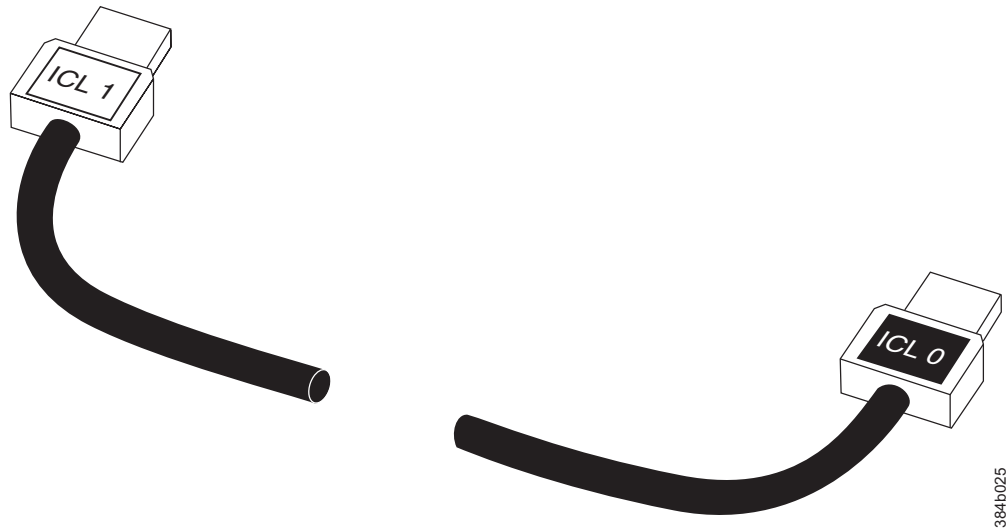


Figure 44. ICL cable

## Time and items required

The replacement procedure for an ICL cable takes less than five minutes. A replacement ICL cable is the only item needed.

## Removing an ICL cable

**Attention:** To prevent the latch mechanism from wear, use the color-coded (green) latch-release tab for cable removal. Pull the tab to disengage the retention latch before cable removal.

1. Remove the chassis door (“Removing and installing the chassis door” on page 61).
2. If you are replacing an ICL cable, note the cable routing, paying attention to which cable end plug into which socket. Replace only one ICL cable at a time to minimize errors.
3. Using the latch release tabs, pull each plug on the cable from its respective socket on the SAN384B core switch blades (CR4S-8) or SAN768B core switch blades (CR8).
4. Repeat for each cable that requires replacement.
5. If you are not replacing the ICL cables, insert the EMI plugs into each ICL socket.

## Installing an ICL cable

1. Align the color-coded and labeled (ICL 1 and ICL 0) plugs on either end of the ICL cable with their respective connectors on the core switch blades (CR4S-8 or CR8).
2. Push each plug in until the latch mechanism clicks into place.
3. Repeat for each cable that you are installing.  
If you are installing ICL cables for the first time, pay particular attention to the configuration in which the cables must be installed.

**Attention:** Since the blades in the SAN384B are installed horizontally, the familiar top-to-bottom orientation for other products becomes a left-to-right orientation. Connect the cables from the left (top) connectors (ICL 1) of the CR4S-8 blades in the first chassis to the right (bottom) connectors (ICL 0) of the CR4S-8 blades in the second chassis. Similarly, connect the cables from the right (bottom) connectors (ICL 0) of the CR4S-8 blades in the first chassis to the left (top) connectors (ICL 1) of the CR4S-8 blades in the second chassis. Figure 45 on page 87 and Figure 46 on page 88 show two of the acceptable cabling configurations for the ICL feature between two SAN384B chassis and between a SAN384B and a SAN768B, respectively. The first drawing for two SAN384B systems shows the cables attached between the blades in slot 3 on one chassis and slot 6 on the second chassis. It is also acceptable to attach the cables from slot 3 on one chassis to slot 3 on the second chassis (or slot 6 to slot 6) as long as the left-to-right (top-to-bottom) rule is followed. Figure 47 on page 89 and Figure 48 on page 90 show the arrangement of cables in a 3-way configuration of backbone chassis. Note the relationship of the horizontal SAN384B layout to the vertical layout of the SAN768B in each figure.

**Note:** The same general configuration applies regardless of which chassis are used. The illustrations for 3-way ICL cable connections are used to show the *ICL cable connections* between the different chassis. They are *not* meant to illustrate installation of multiple chassis in a single cabinet. Because of cabinet installation limits, the chassis for some configurations will be installed in adjacent cabinets.

4. Replace the chassis door (“Removing and installing the chassis door” on page 61).
5. Once all the cables are attached, see the *Fabric OS Administrator’s Guide* for the configuration procedure.

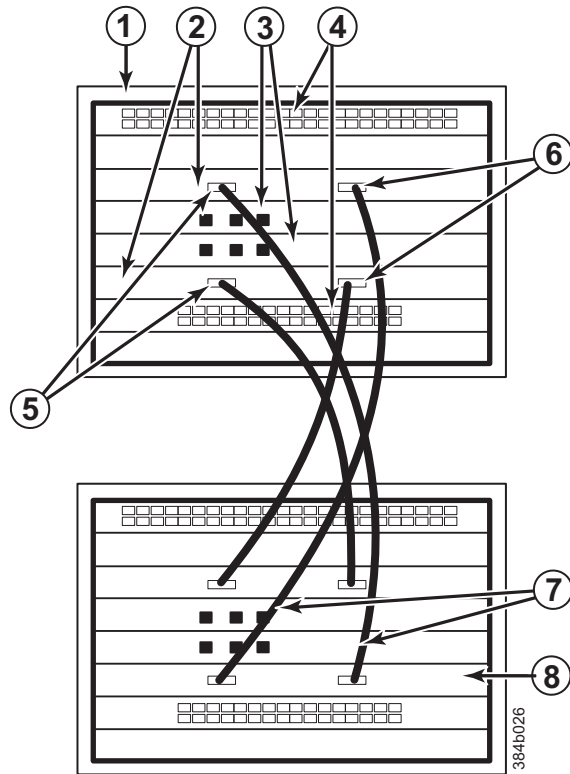


Figure 45. ICL cable connections between two SAN384B chassis

- 1** Chassis 1
- 2** Core switch blades (CR4S-8)
- 3** Control processor blades (CP8)
- 4** Port blades
- 5** ICL connector (ICL 1)
- 6** ICL connector (ICL 0)
- 7** ICL cables
- 8** Chassis 2

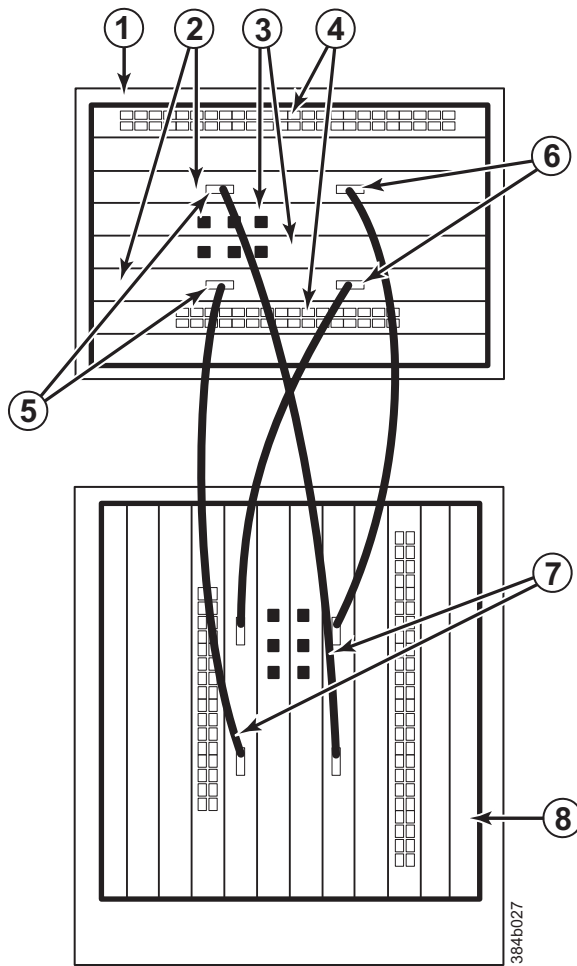


Figure 46. ICL cable connections between a SAN384B chassis and a SAN768B chassis.

- 1** Chassis 1 (SAN384B)
- 2** Core switch blades (CR4S-8)
- 3** Control processor blades (CP8)
- 4** Port blades
- 5** ICL connector (ICL 1)
- 6** ICL connector (ICL 0)
- 7** ICL cables
- 8** Chassis 2 (SAN768B)

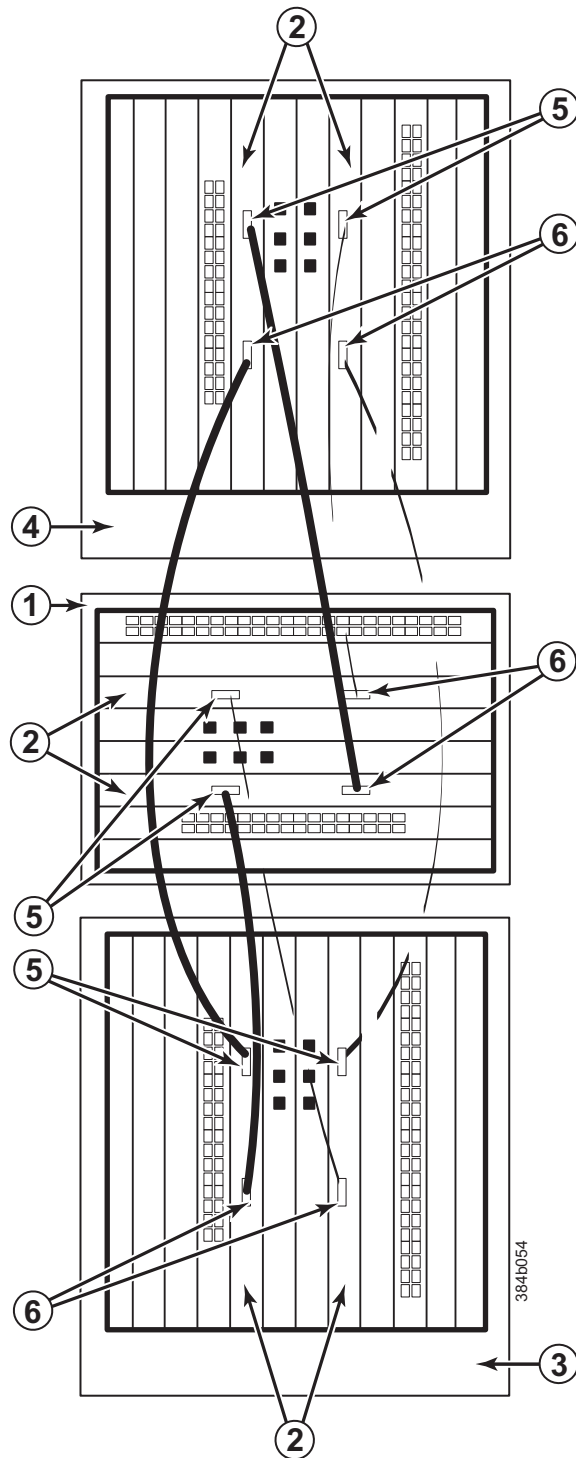


Figure 47. 3-way ICL cable connections between a SAN384B chassis and two SAN768B chassis.

- 1** Chassis 1 (SAN384B)
- 2** Core switch blades (CR4S-8)
- 3** Chassis 2 (SAN768B)
- 4** Chassis 3 (SAN768B)
- 5** ICL connector (ICL 1)

**6** ICL connector (ICL 0)

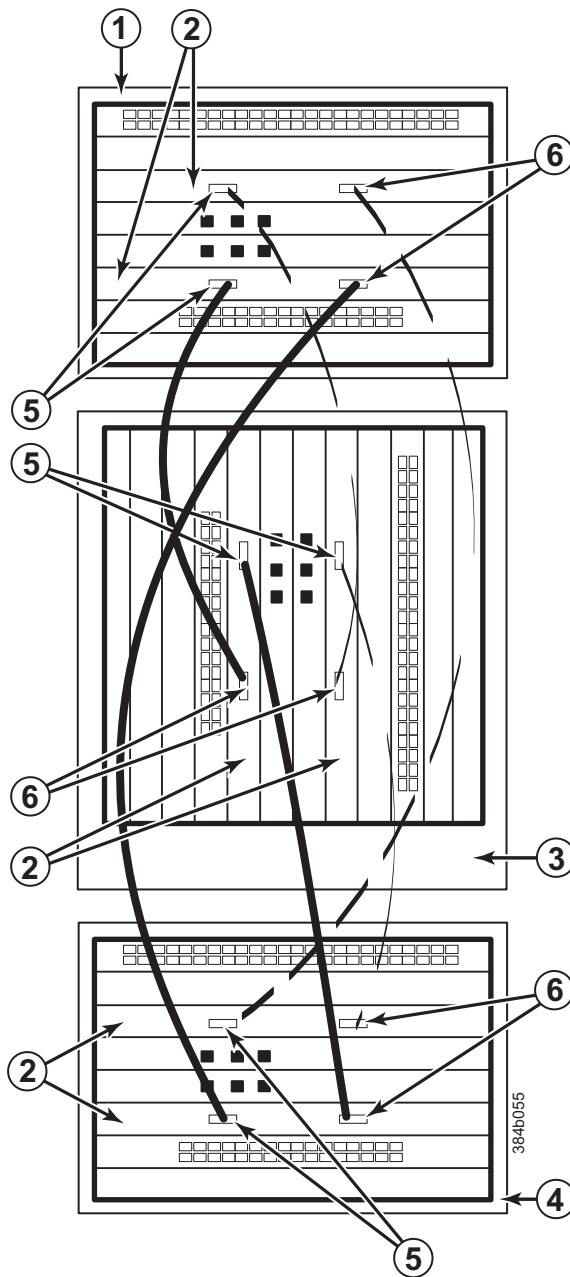


Figure 48. 3-way ICL cable connections between a SAN768B chassis and two SAN384B chassis.

- 1** Chassis 1 (SAN384B)
- 2** Core switch blades (CR4S-8)
- 3** Chassis 2 (SAN768B)
- 4** Chassis 3 (SAN384B)
- 5** ICL connector (ICL 1)
- 6** ICL connector (ICL 0)

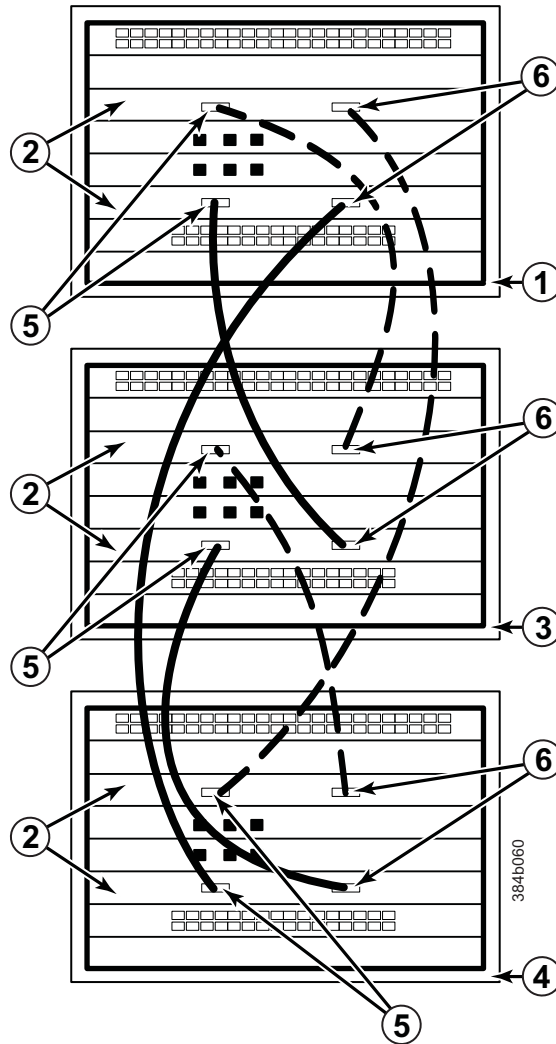


Figure 49. 3-way ICL cable connections between three SAN384B chassis.

- 1** Chassis 1 (SAN384B)
- 2** Core switch blades (CR4S-8)
- 3** Chassis 2 (SAN384B)
- 4** Chassis 3 (SAN384B)
- 5** ICL connector (ICL 1)
- 6** ICL connector (ICL 0)

**Note:** For clarity, the two sets of cables are drawn differently (solid and dashed) in Figure 47 on page 89 through Figure 49. Also note that one set is connected to only the blades in the "low order" slots (slot 3 in the SAN384B and slot 5 in the SAN768B) and the other set is connected to the blades in the "high order" slots (slot 5 in the SAN384B and slot 8 in the SAN768B). Keeping the sets apart in this manner minimizes the cable confusion.

## Removing and replacing a SAN384B chassis

This section describes how to remove and replace the SAN384B chassis (with its backplane). The basic steps are:

- "Verifying need for replacement" on page 92
- "Recording critical SAN384B and SAN information" on page 92

- “Disconnecting from the network and fabric” on page 96
- “Removing components from the chassis” on page 97
- “Removing a SAN384B from the cabinet” on page 98
- “Installing the replacement chassis” on page 99
- “Installing components into the new chassis” on page 99
- “Verifying correct operation of system” on page 100
- “Reconnecting the system to the network and fabric” on page 102
- “Verifying correct configuration of the fabric” on page 102

**Note:** The SAN384B must be removed from the fabric and powered off to perform this procedure. Contact IBM Support if you have any questions about whether the chassis requires replacement.

## Time required

The chassis replacement takes approximately 3 hours.

## Items required

The following items are required for the chassis replacement:

- ESD grounding strap
- ESD grounding pads for protecting all blades and WWN cards
- Serial cable and workstation computer with a terminal emulator application (such as HyperTerminal for Windows systems or TIP for UNIX systems), required only if serial console session used
- Hydraulic lift (see “Ordering the lift tool” on page 11) that raises a minimum of 140 cm (55 in.) and carries a minimum of 113 kg (250 lb)
- A surface to place the old chassis on, such as a second lift or the pallet originally provided with the old chassis
- #2 Phillips screwdriver

## Verifying need for replacement

Verify that replacement of the chassis is necessary. Ensure that the components are firmly seated when troubleshooting, and contact IBM support with any questions about whether the chassis should be replaced. Any of the following events might indicate the need to replace the chassis:

- Visible mechanical damage to the chassis, including damage to sheet metal or card guides that prevents correct installation of a blade.
- Bent or damaged connectors on the backplane (the surface inside the chassis to which the blades connect).
- One or more components (such as a power supply, blower assembly, port blade, control processor blade (CP8), core switch blade (CR4S-8), or WWN card) do not function properly even after the component was replaced.
- The **psShow** or **fanShow** commands continue to show a faulty component even though the component was replaced.
- The **slotShow** command continues to show a faulty control processor (CP8), core switch (CR4S-8), or port blade even though the blade was replaced.

## Recording critical SAN384B and SAN information

All commands must be entered from a CLI session (Telnet or serial) to the active CP blade unless otherwise indicated.



**Note:** Run **supportShow** which includes all of the information in Table 18 on page 94 and more. The customer should record the location of the .txt files, which are created by the customer and are not called out in the **supportShow** results.

|  
|  
|

For detailed information about Fabric OS commands, refer to the *Fabric OS Command Reference*. Use a checklist (Table 18 on page 94) to ensure that all required information is recorded.

Table 18. Critical information checklist example

Checked?	Data	Notes
<b>Configuration information</b>		
	Location of "config-switch.txt" file:	
	Location of "config-miscinfo.txt" file:	
	IP address, subnet mask:	
	WWN for SAN384B:	
<b>SAN profile</b>		
	Location of "SANbefor.txt" file:	
	Notes regarding <b>nsShow</b> output:	
	Notes regarding <b>nsAllShow</b> output:	
	Notes regarding <b>switchShow</b> output:	
	Notes regarding <b>fabricShow</b> output:	
<b>Output from supportShow command</b>		
	Location of "spptshow.txt" file:	
	Notes regarding <b>supportShow</b> output:	
<b>Information about the new chassis</b>		
	New factory serial number:	
	New serial number (if available):	

1. Open a Telnet session and log in to the SAN384B as **admin**. The default password is **password**. Enable the logging function on your Telnet or serial console connection.
2. Back up the current configuration.

**Note:** If you are using the virtual fabric feature, run **configUpload -vf** before running the **configUpload** command in order to save the logical switch configuration.

Enter **configUpload -all**; then enter the requested information at the prompts. This command uploads the configuration to the customer-defined FTP server, making it available for downloading. For more information about this command, refer to the *Fabric OS Command Reference Manual*.

```
switch:admin> configupload -all
Protocol (scp or ftp) [ftp]: ftp
Server Name or IP Address [host]: 123.123.123.123
User Name [user]: Admin24
File Name [config.txt]: config-switch0.txt
Password: xxxxxxxx
Upload complete
switch:admin>
```

Alternatively, you can save the configuration file to a Brocade USB drive.

3. Record the SAN384B values on a workstation (steps 4 through 9)
4. Record the WWN value: Enter **wwn**; then, copy the command output into a file named "config-miscinfo.txt".

```
switch:admin> wwn
10:00:00:60:69:00:00:0a
```

5. Record the IP address information.

Enter **ipAddrShow -sw**; then copy the command output into the "config-miscinfo.txt" file.

```
switch:admin> ipaddrshow -sw

SWITCH
Ethernet IP Address: 10.32.50.12
Ethernet Subnetmask: 255.55.0.0
Fibre Channel IP Address: 1.2.3.4
Fibre Channel Subnetmask: 255.255.255.0

CP0
Ethernet IP Address: 10.32.50.10
Ethernet Subnetmask: 255.55.0.0
HostName : cp0
Gateway Address: 10.32.40.1

CP1
Ethernet IP Address: 10.32.50.11
Ethernet Subnetmask: 255.55.0.0
HostName : cp1
Gateway Address: 10.32.40.1

Backplane IP address of CP0 : 10.0.0.4
Backplane IP address of CP1 : 10.0.0.5
switch:admin>switch:admin>
```

6. Display and record the manufacturer serial numbers.

Enter **chassisShow**; then copy the command output into the "config-miscinfo.txt" file.

"Factory Serial Num" and "Serial Num" are listed under "Chassis/WWN Unit 1." If the current WWN cards are the original cards, the factory serial number listed is the same as the chassis serial number.

```
switch:admin> chassisshow

Chassis Backplane Revision: 1F

SW BLADE Slot: 1
Header Version:      2
Power Consume Factor: -50
Factory Part Num:    60-0001532-03
Factory Serial Num:  KP000000195
Manufacture:        Day: 1 Month: 1 Year: 2007
Update: Day:        14 Month: 3 Year: 2012
Time Alive:         187 days
Time Awake:         3 days

<output truncated>

CHASSIS/WWN Unit: 1 (in same assembly as WWN Unit: 2)
Header Version:      2
Power Consume Factor: -3
Factory Part Num:    60-0001501-07
Factory Serial Num:  FT02X805BE2
Manufacture:        Day: 26 Month: 3 Year: 2007
Update:             Day: 14 Month: 3 Year: 2009, 2010
Time Alive:         207 days
Time Awake:         3 days
```

<output truncated>

```
switch:admin>
```

7. Create a SAN "profile" by entering and recording the information provided by the following commands:

- **nsShow**

- **nsAllShow**
- **switchShow**
- **fabricShow**

Copy the command output into a text file named "SANbefor.txt". After the SAN384B is restored to the fabric, this information can be used to verify that no unintentional changes have occurred to the fabric.

```
switch:admin> nsshow
Enter Pid COS PortName NodeName TTL
<output truncated>
```

```
switch:admin> nsallshow
12 Nx_Ports in the Fabric
<output truncated>
```

```
switch:admin> switchshow
switchName: switch
<output truncated>
```

```
switch:admin> fabricshow
Switch ID Worldwide Name Enet IP Addr FC IP Addr Name
<output truncated>
```

8. Enter **supportShow**; then copy the command output into a text file named "spptshow.txt".

**Note:** The **supportShow** command has a very long output and time for completion. It may last 20 minutes or longer depending on the size of the SAN.

This file provides a backup of all the information that might be required by Technical Support. The information can be used after the SAN384B is restored to the fabric, to verify that no unintentional changes have occurred to the fabric.

```
switch:admin> supportshow
version: 6.4.0
<output truncated>
```

```
switch:admin>
```

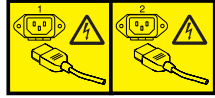
9. Record the cable connections between the SAN384B and the target device and ports, if you have not previously done so. See Table 19 on page 104 for a sample template.

## Disconnecting from the network and fabric

1. Shut down the SAN384B using the **sysShutdown** command.

```
switch:admin> sysshutdown
This command will shutdown the operating systems on your switch.
You are required to power-cycle the switch in order to restore operation.
Are you sure you want to shutdown the switch [y/n]? y
HA is disabled
Stopping blade 1
Shutting down the blade....
Stopping blade 2
Shutting down the blade....
Stopping blade 8
Shutting down the blade....
Broadcast message from root (pts/1) Tue Jul 18 14:23:06 2008...
The system is going down for system halt NOW !!
```

2. Power off the chassis by flipping all AC power switches to **O**. (The power supply status LED should turn off.)



#### DANGER

Multiple power cords. The product is equipped with multiple power cords. To remove all hazardous voltages, disconnect all power cords. (L003)

3. Remove the power cords from the power supplies and the power outlets.
4. Label the cables connected to all blades and record the connections in Table 19 on page 104.
5. Remove the chassis door (see “Removing and installing the chassis door” on page 61).
6. Disconnect the cables from the port blades and set them aside. Remove each mSFP transceiver and cable as a unit. The SFP, SFP+, or XFP transceivers can be left in the blades or removed.
7. Disconnect all cables from the CP8 and CR4S-8 blades.
8. Disconnect any ICL cables (“Removing and installing inter-chassis link (ICL) cables” on page 84).

## Removing components from the chassis

**Attention:** Follow ESD precautions (see “ESD precautions” on page xviii) when handling components.

1. Remove the cable management fingers (“Removing and installing cable management finger assemblies” on page 62).
2. Remove the port and application blades and filler panels (“Removing and installing port and application blades” on page 64 and “Removing and installing blade filler panels” on page 67).
3. Remove the core switch blades (“Removing and installing a CR4S-8 core switch blade” on page 72).
4. Remove the control processor blades (“Removing and installing a CP8 control processor blade” on page 68).
5. Remove the power supplies (“Removing and installing a power supply” on page 75).
6. Remove the blower assemblies (“Removing and installing a blower assembly” on page 77).
7. Remove the WWN bezel and WWN cards (“Removing and installing a WWN bezel and WWN card” on page 78).
8. Remove the chassis from the rack and port side exhaust kit (“Removing a SAN384B from the cabinet” on page 98).

**Note:** If the chassis being removed was factory installed, additional shipping braces were added for stability during shipment. These consist of L-brackets and flat mounting plates. The mounting plates are attached on either side at the blower end of the chassis. The L-brackets secure the mounting plates to the cabinet vertical rails. Detach the L-brackets from the mounting plates and the cabinet rails before removing the chassis from the cabinet. If you anticipate that the cabinet with an installed chassis may be shipped to another location in the future, it is recommended that you attach these shipping brackets to any replacement chassis. Take note of how the brackets are assembled and attached when you remove them from the old chassis.

## Removing a SAN384B from the cabinet

These instructions describe how to use the lift tool (PN 09P2481) and the 24-inch load plate (PN 11P4369) to remove a SAN384B from the cabinet. These instructions are only for the actual physical removal of a chassis from a 2109-C36 cabinet. These instructions assume that the SAN384B you are removing is fully shut down and not connected to the fabric. The instructions can be used for moving a SAN384B to a new location, or when replacing a defective chassis. See "Removing and replacing a SAN384B chassis" on page 91 for complete steps required for shutting down the system and removing components before removing the chassis from the cabinet. If you are only relocating the chassis, you can skip the steps for removing components.

1. Assemble the lift tool if it is not assembled. The assembly and disassembly instructions are included with the lift tool. Additional instructions are also in "Unpacking and assembling the lift tool" on page 15.
2. Remove the two screws holding each vertical cable management finger assembly from the cabinet vertical rails, and remove the additional screw securing the chassis to the cabinet rails.
3. Remove the chassis door from the chassis by grasping the door on both edges and pulling straight out.
4. If any cables remain attached to the chassis, disconnect them.
5. If the chassis was factory installed in the cabinet, there may be additional shipping brackets attached to the non-port (blower assembly) side of the chassis, connecting the chassis to the cabinet rails. Remove the screws attaching the L-brackets to the cabinet rails, and the screws attaching the L-brackets to flat mounting plates that are connected to the sides of the chassis.
6. Disconnect both power cords from the SAN384B if they are still attached.
7. Move the lift tool to a position near the rear of the cabinet.
8. Turn the winch crank clockwise to raise the load plate to a height slightly below the exhaust kit shelf.
9. Turn the winch crank counterclockwise 1/4 turn to set the winch brake.
10. Set the lift tool wheel brake.



**CAUTION:**

A fully populated SAN384B weighs approximately 68 kg (150 lb) and requires a minimum of two people and a lift tool to install it. (C011)

11. Release the spring-loaded pins under the load plate, and pull the middle section of the load plate to the full extension. You may need to release the pin closest to the cabinet to allow the middle section to fully extend. Make sure the spring-loaded pin snaps back into place. The gap between the end of the load plate middle section and the port side exhaust kit shelf should be no more than 2.5 cm (1 in.). If the gap is larger than this, either the lift tool is not positioned close enough to the cabinet, or the load plate middle section is not fully extended. Adjust as needed.
12. Carefully slide the chassis from the cabinet onto the 24-inch load plate. Center the chassis on the platform.
13. Release the spring-loaded pins under the load plate, and pull the middle section of the load plate back into the load plate.
14. Install the retention straps to secure the chassis to the lift tool.

15. Release the lift tool wheel brake, and move the lift tool away from the cabinet.
16. Lower the load platform to its lowest position.
17. Use the lift tool to relocate the chassis to the desired location.

## Installing the replacement chassis

**Attention:** Refer to “Rack safety” on page xix before starting the installation.



**CAUTION:**

The weight of this part or unit is more than 55 kg (121.2 lb). It takes specially trained persons, a lifting device, or both to safely lift this part or unit. (C011)

>55kg (121.2 lb)

The following instructions require that the port-side exhaust kit is already installed. If the rack does not have this shelf and exhaust duct installed, refer to “Installing the port-side exhaust kit” on page 18 for complete instructions.

1. Follow the steps in “Unpacking the SAN384B” on page 16 to unpack the replacement chassis.
2. Follow the steps in “Installing the SAN384B into the cabinet” on page 24 to complete the installation of the replacement chassis. You can either install the empty chassis now, or first install the components steps 1-7 (“Installing components into the new chassis”) before completing the chassis installation.

**Note:** If you anticipate that the replacement chassis may be shipped to a new location while installed in the cabinet, it is recommended that you attach the shipping brackets to any replacement chassis. These shipping brackets consist of flat mounting plates that are attached to the sides of the chassis at the blower assembly end, and L-brackets that attach to the mounting plates and the cabinet vertical rails.

## Installing components into the new chassis

**Attention:** Follow ESD precautions (“ESD precautions” on page xviii) whenever handling components.

1. Replace the WWN cards and WWN bezel (“Installing the WWN bezel and WWN card” on page 80).
2. Replace the blower assemblies (“Installing a blower assembly” on page 78).
3. Replace the power supplies (“Installing a power supply” on page 76).
4. Replace the control processor blades (“Installing a control processor blade (CP8)” on page 70).
5. Replace the core switch blades (“Installing a CR4S-8 core switch blade” on page 74).
6. If ICL cables are not used, insert EMI plugs in the ICL sockets in the core switch blades (CR4S-8).
7. Replace the port and application blades or filler panels (“Installing a blade” on page 66 and “Installing a filler panel” on page 67).
8. If the chassis is not yet installed in the rack, follow the steps in “Installing the SAN384B into the cabinet” on page 24.
9. Replace the cable management fingers (“Installing a cable management finger assembly” on page 63).

10. Connect the power cords to the power supplies and the power outlets.
11. Replace the chassis door ("Removing and installing the chassis door" on page 61)
12. Power on the system ("Providing power to the SAN384B" on page 35).  
The system performs a power-on self-test (POST). The POST takes a minimum of three minutes and is complete when LED activity returns to standard state.
13. Verify that the SAN384B is powered on and POST is complete (all power LED indicators on the port, control processor, and core switch blades should be a steady green).
14. Verify that all components are functioning correctly by checking their LEDs. If the LEDs do not indicate correct operation, try reinstalling the corresponding component.

## Downloading the configuration

Once the chassis and its various components have been reassembled and powered back on, use the **configDownload** command to restore the original configuration. The **configDownload** command can be entered through a Telnet or serial session, but the SAN384B must have an Ethernet connection to the server name or IP of the host for the download process to complete. For more information, refer to the **help configdownload** command or the *Fabric OS Command Reference Manual*.

1. Log in to the SAN384B as **admin**:

```
switch:admin> login
login: admin
password: xxxxxxxx
switch:admin>
```

**Note:** If you are using the virtual fabric feature, you should run **configdownload -vf** before running the **configdownload** command in order to restore the logical switch configuration.

2. Enter **configDownload -all** command.

```
switch:admin> configdownload -all
Server Name or IP Address [host]: 123.123.123.123
User Name [None]: Admin24
File Name [config.txt]: config-switch.txt
Password: xxxxxxxx
download complete
switch:admin>
```

3. Reboot the SAN384B.

## Verifying correct operation of system

1. Log in to the SAN384B as **admin**:

```
switch:admin> login
login: admin
password: xxxxxxxx
switch:admin>
```

2. Enter the **slotShow -m** command and verify that all the installed cards are detected and that their status is operational (enabled).

```
switch:admin> slotShow -m
```

```
Slot Blade Type ID Model Name Status
-----
1 SW BLADE 51 FC8-48 ENABLED
2 UNKNOWN VACANT
3 CORE BLADE 46 CR4S-8 ENABLED
4 CP BLADE 50 CP8 ENABLED
5 CP BLADE 50 CP8 ENABLED
```



```

6 CORE BLADE 46 CR4S-8 ENABLED
7 AP BLADE 75 FX8-24 ENABLED
8 SW BLADE 51 FC8-48 ENABLED
switch:admin>

```

- Verify that the system is functioning correctly by entering **switchShow** or **switchStatusShow**. The **switchShow** command displays the SAN384B and port status information.

```

switch:admin> switchshow
switchName: switch
switchType: 62.1
switchState: Online
switchMode: Native
switchRole: Subordinate
switchDomain: 11
switchId: fffc0b
switchWwn: 10:00:00:05:1e:39:59:67
zoning: OFF
switchBeacon: OFF
blade3 Beacon: OFF
blade5 Beacon: OFF
blade8 Beacon: OFF
blade10Beacon: OFF

```

```

Index Slot Port Address Media Speed State Proto
=====
32 3 0 0b2000 id N4 Online L-Port 5 public
33 3 1 0b2100 ___ N8 No_Module
34 3 2 0b2200 ___ N8 No_Module
35 3 3 0b2300 ___ N8 No_Module
36 3 4 0b2400 id N4 Online F-Port
10:00:00:00:c9:51:00:2d
37 3 5 0b2500 ___ N8 No_Module

```

```
switch:admin>
```

- Verify that all the IP address information is correct by entering **ipAddrShow** and checking the results against the IP information recorded in the "config-miscinfo.txt" file.

```

switch:admin> ipaddrshow

SWITCH
Ethernet IP Address: 10.32.50.12
Ethernet Subnetmask: 255.55.0.0
Fibre Channel IP Address: 1.2.3.4
Fibre Channel Subnetmask: 255.255.255.0

```

```

CP0
Ethernet IP Address: 10.32.50.10
Ethernet Subnetmask: 255.55.0.0
HostName : cp0
Gateway Address: 10.32.40.1

```

```

CP1
Ethernet IP Address: 10.32.50.11
Ethernet Subnetmask: 255.55.0.0
HostName : cp1
Gateway Address: 10.32.40.1
Backplane IP address of CP0 : 10.0.0.4
Backplane IP address of CP1 : 10.0.0.5

```

```
switch:admin>switch:admin>
```

## Reconnecting the system to the network and fabric

See the cable routing and port connection information recorded previously in Table 19 on page 104 for the following steps.

1. Connect the CP blades to the local area network:
  - a. Connect the appropriate Ethernet cables into each Ethernet port.
  - b. Connect the other ends to an Ethernet 10/100 Base-T LAN, if not already connected.

**Note:** The SAN384B can be accessed by remote connection using any of the available management tools, such as Telnet or Web Tools. Ensure that the system is not modified using other connections during the rest of this procedure.

2. Reconnect the transceivers and cables to the port blades:

**Note:** The ports and cables used in trunking groups must meet specific requirements. For a list of these requirements, refer to the *Fabric OS Administrator's Guide*.

- a. Position one of the transceivers so that the key is oriented correctly to the port and insert the transceiver into the port until it is firmly seated and the latching mechanism clicks.
- b. Select the cable that corresponds to the port and position it so that the key (the ridge on one side of the cable connector) is aligned with the slot in the transceiver; then, insert the cable into the transceiver until the latching mechanism clicks.
- c. Repeat steps a and b for the remaining ports.

**Attention:** Do not route cables in front of the air exhaust vent (located on the upper and lower port side of the chassis).

- d. Organize the cables as required (see "Managing cables" on page 42).

## Verifying correct configuration of the fabric

Copying the command outputs from this section into a file is recommended.

1. Create an "after" SAN profile by entering the following commands and copying the output to a text file named "SANafter.txt":

- **nsShow**
- **nsAllShow**
- **switchShow**
- **fabricShow**

```
switch:admin> nsshow
Type Pid COS PortName NodeName TTL(sec)
N 020f00; 3;10:00:00:01:73:00:29:46;10:00:00:01:73:00:29:46; na
Fabric Port Name: 20:0f:00:60:69:90:03:f0
<output truncated>
```

```
switch:admin> nsallshow
{020f00 021fda 021fdc 021fe0 021fe15 Nx_Ports in the Fabric}
<output truncated>
```

```
switch:admin> switchshow
switchName: rs18-st03-dcx-01
<output truncated>
```

```
switch:admin> fabricshow
Switch ID Worldwide Name Enet IP Addr FC IP Addr Name
<output truncated>
```

```

switch:admin> lscfg --show
Created switches: 128(ds) 1 2(bs)
Port 0 1 2 3 4 5 6 7 8 9
-----
FID 1 | 1 | 1 | 1 | 1 | 128 | 128 | 128 | 128 | 128 |
<output truncated>

```

```
switch:admin>
```

2. Determine any differences between the information in the "SANafter.txt" file and the information in the "SANbefor.txt" file created earlier. In particular, look for differences in the following:
  - Device types
  - Number of devices
  - ISL and port states
  - Number of switches in the fabric
3. Resolve any issues or unintentional changes to the SAN384B or fabric.
  - If there are any mechanical problems, try reseating the associated component.
  - If the configuration information is not correct for the system, modify as required.
  - If other issues exist, contact IBM Support

## Cable routing table template

Table 19 is a 64-port template for a cable-routing table. Expand or duplicate the table as needed, for the number of ports in the chassis.

Table 19. Cable routing table for SAN384B (64 ports shown)

Slot/Port		Cable labels		Connected device	Slot/Port of device
Slot	Port	Switch end	Device end		
	0				
	1				
	2				
	3				
	4				
	5				
	6				
	7				
	8				
	9				
	10				
	11				
	12				
	13				
	14				
	15				
	16				
	17				
	18				
	19				
	20				
	21				
	22				
	23				
	24				
	25				
	26				
	27				
	28				
	29				
	30				
	31				
	32				
	33				
	34				
	35				

Table 19. Cable routing table for SAN384B (64 ports shown) (continued)

Slot/Port		Cable labels		Connected device	Slot/Port of device
Slot	Port	Switch end	Device end		
	36				
	37				
	38				
	39				
	40				
	41				
	42				
	43				
	44				
	45				
	46				
	47				
	48				
	49				
	50				
	51				
	52				
	53				
	54				
	55				
	56				
	57				
	58				
	59				
	60				
	61				
	62				
	63				
	64				

## Removing the battery

Local regulations may require removal of the battery before recycling or disposing of the product. Follow these steps to remove the battery from the product:

1. Remove any installed modules.
2. Remove any installed power supplies.
3. Unscrew fasteners and remove any fan trays or fan assemblies.
4. Unscrew fasteners, unplug all connectors and remove any Printed Circuit Board Assembly (PCBA) from the fan trays or fan assemblies.

5. In the two control processor blade (CP8) assemblies, locate the central processor PCBAs.
6. Go to the following locations and remove the two BR1225 batteries from each of the PCBAs (see **1** in Figure 50):
  - a. XB1
  - b. XB

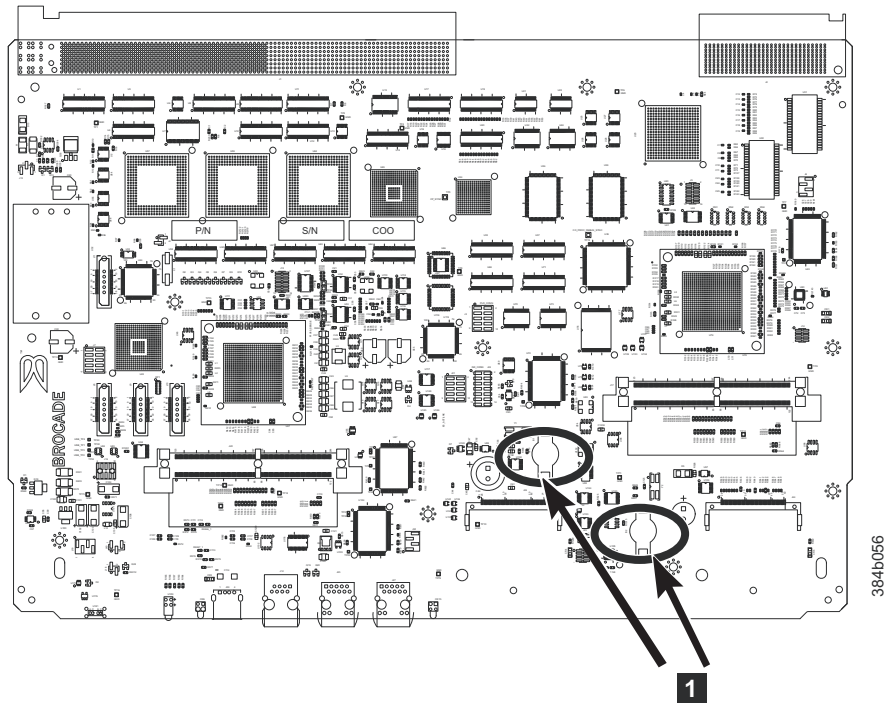


Figure 50. Battery locations on the SAN384B

7. Recycle the four batteries as appropriate.

Refer to the *Environmental Notices and User Guide* shipped with the product for more information on battery recycling and disposal.

---

## Chapter 6. Installing new features

**Attention:** Refer to “Safety notices and labels” on page xiii before performing any service or installation procedures.

The SAN384B can be upgraded with any of the following hot-pluggable features while the SAN384B is operational. Refer to the individual feature installation instructions for any possible exceptions.

Use this chapter as a starting point when installing new features on an existing SAN384B. Specific installation procedures are linked from each feature code installation on this page to the appropriate sections in the Chapter 5, “Removing and installing components,” on page 61 chapter.

- “FC3816, FC3832, FC3848 - Installing a 8-Gb port blade (16, 32, or 48 ports)”
- “FC3864 - Installing an 8-Gb 64-port port blade” on page 109
- “FC3850 - Installing an FR4-18i routing blade” on page 111
- “FC3870 - Installing an FC10-6 10 Gb blade” on page 112
- “FC7870 - Installing an inter-chassis cable kit” on page 116

---

### FC3816, FC3832, FC3848 - Installing a 8-Gb port blade (16, 32, or 48 ports)

These features can be installed while the SAN384B is operational.

**Attention:** Follow these precautions for all procedures in this section to avoid damaging the port blades or chassis:

- Wear a grounded ESD strap when handling a port blade (see “ESD precautions” on page xviii).
- Carefully remove the protective strip (if any) covering the blade connectors before installing any blades.
- Do not force the port blade installation. If the port blade does not slide in easily, ensure that it is correctly aligned inside the rail guides before continuing. Installing a port blade with incorrect alignment damages both the chassis and the replacement part.
- Hold the port blade by the edges of the metal pan. Do not use the ejectors to hold a port blade.
- Disassembling any part of a port blade voids the part warranty and regulatory certifications. There are no user-serviceable parts inside the port blade.

These instructions cover installing a new FC3816, FC3832, or FC3848 in the SAN384B chassis.

#### Time required

10 minutes or less per port blade

#### Items required

- ESD (electrostatic discharge) grounding strap
- Workstation computer
- Port blade

- Phillips screwdriver
- Small form factor pluggable (SFP) transceivers (as needed)
- Optical cables (as needed)

## Procedures

Follow the links in the steps below to complete this installation:

1. Verify that the port blade is the correct part: 21R9996 for the 16-port blade, 21R9997 for the 32-port blade, and 21R9998 for the 48-port blade.
2. Verify which slot to install the blade. Slots are numbered from one through eight, from bottom to top, when facing the port side of the SAN384Bs. Port blades can be installed in any of the slots 1, 2, 7, or 8.
3. We recommend having the latest firmware version on the CP blade. The firmware version should match on both the active and the backup CP blades. If the firmware is not at the latest level, obtain new code from the code download website, and install it prior to installing the port blade. See “Fabric OS firmware updates” on page 43 for instructions.

**Note:** Firmware downloads require that Ethernet connections be made to both CP blades. Procedures for downloading and installing firmware are described in the *Fabric OS Administrator’s Guide*.

4. Remove the filler panel or port blade. Refer to “Removing a blade” on page 64 or “Removing and installing blade filler panels” on page 67.

**Attention:** A filler panel should be removed only when being replaced with a port blade or new filler panel. Any slot that is not occupied by a port blade should be occupied by a filler panel to ensure correct cooling of the chassis and protection from dust.

5. Follow the instructions for “Installing a blade” on page 66.
6. Follow the instructions for “Removing and installing transceivers” on page 81. Because of port density, it may be easier to remove and install the SFPs while the 32-port or 48-port blade is out of the chassis. However, you must handle the blade carefully while it is out of the chassis to avoid damaging it.
7. Install, group and route the cables as desired. See “Managing cables” on page 42 for additional cabling instructions.

**Attention:** Do not route cables in front of the exhaust vent, which is located at the top on the port side of the chassis.

8. Verify the installation. For information about how to check the status of hardware components using the CLI, see the *Fabric OS Administrator’s Guide*, which is located on the product documentation CD.



---

## FC3864 - Installing an 8-Gb 64-port port blade

This feature can be installed while the SAN384B is operational.

**Attention:** Follow these precautions for all procedures in this section to avoid damaging the port blades or chassis:

- Wear a grounded ESD strap when handling a port blade.
- Carefully remove the protective strip (if any) covering the blade connectors before installing any blades.
- Do not force the port blade installation. If the port blade does not slide in easily, ensure that it is correctly aligned inside the rail guides before continuing. Installing a port blade with incorrect alignment damages both the chassis and the replacement part.
- Hold the port blade by the edges of the metal pan. Do not use the ejectors to hold a port blade.
- Disassembling any part of a port blade voids the part warranty and regulatory certifications. There are no user-serviceable parts inside the port blade.

**Note:** This 8-Gb 64-port blade (FC3864) cannot be installed in the same chassis as a FCOE10-24 blade (FC3880)

These instructions cover installing a new FC3864 in the SAN384B chassis.

### Time required

20 minutes or more per port blade due to port and cable density

### Items required

- ESD (electrostatic discharge) grounding strap
- Workstation computer
- Port blade
- #2 Phillips screwdriver
- mSFP transceivers (as needed)
- OM-3 LC optical cables (as needed)

### Procedures

Follow the links in the steps below to complete this installation:

1. Verify that the port blade is the correct part (45W7566)
2. Remove the chassis door. See “Removing and installing the chassis door” on page 61.
3. Verify which slot to install the blade. Slots are numbered from one through eight, from bottom to top, when facing the port side of the SAN384Bs. Port blades can be installed in any of the slots 1, 2, 7, or 8.
4. We recommend having the latest firmware version on the CP blade. The firmware version should match on both the active and the backup CP blades. If the firmware is not at the latest level, obtain new code from the code download website, and install it prior to installing the port blade. See “Fabric OS firmware updates” on page 43 for instructions.

**Note:** Firmware downloads require that Ethernet connections be made to both CP blades. Procedures for downloading and installing firmware are described in the *Fabric OS Administrator’s Guide*.

5. Remove the filler panel or port blade. Refer to “Removing a blade” on page 64 or “Removing and installing blade filler panels” on page 67.

**Attention:** A filler panel should be removed only when being replaced with a port blade or new filler panel. Any slot that is not occupied by a port blade should be occupied by a filler panel to ensure correct cooling of the chassis and protection from dust.

6. Follow the instructions for “Installing a blade” on page 66.
7. Remove any mSFPs that are pre-installed in the new FC8-64 blade and set them aside for later installation. See “Removing and replacing an mSFP optical transceiver” on page 83, paying particular attention to the notices to avoid damaging the mSFP pull tabs or mSFPs.
8. Follow the instructions for “Installing a blade” on page 66.

**Note:** The FC8-64 high density port blade cannot use the standard LC cables because the pitch between optics in the new mSFP transceiver is smaller than in standard SFPs. Patch cables and panels can be used to attach standard size cabling to the blade if necessary. Figure 16 on page 30 illustrates the mSFP to SFP patch cable. The mSFP transceivers are used only with the FC8-64 port blade. Narrower OM-3 LC cables are used to connect the FC8-64. These cables are offered by several major manufacturers. Contact your IBM representative for options regarding different cable and patch panel configurations to simplify cable management with higher density FC8-64 port blades.

9. Insert an OM-3 (narrow) cable into an mSFP, and then insert the mSFP/cable unit into a port. See “Removing and replacing an mSFP optical transceiver” on page 83, paying particular attention to the notices to avoid damaging the mSFP pull tabs, mSFPs and cables.
10. Repeat step 8 for each port in the FC8-64 blade, proceeding in a systematic manner to avoid tangling the cables.
11. Group and route the cables as desired. See “Managing cables” on page 42 for additional cabling instructions.

**Attention:** Do not route cables in front of the exhaust vent, which is located at the top on the port side of the chassis.

12. Verify the installation (see the appropriate section of Chapter 4, “Monitoring system components,” on page 45). For information about how to check the status of hardware components using the CLI, see the *Fabric OS Administrator’s Guide*, which is located on the product documentation CD.
13. Reinstall the chassis door. See “Removing and installing the chassis door” on page 61.

---

## FC3850 - Installing an FR4-18i routing blade

This feature can be installed while the SAN384B is operational.

**Attention:** Follow these precautions for all procedures in this section to avoid damaging the blades or chassis:

- Wear a grounded ESD strap when handling a port blade (see “ESD precautions” on page xviii).
- Carefully remove the protective strip (if any) covering the blade connectors before installing any blades.
- Do not force the blade installation. If the blade does not slide in easily, ensure that it is correctly aligned inside the rail guides before continuing. Installing a blade with incorrect alignment can damage both the chassis and the blade.
- Hold the blade by the edges of the metal pan. Do not use the ejectors to hold a blade.
- Disassembling any part of a blade voids the part warranty and regulatory certifications. There are no user-serviceable parts inside the blade.

These instructions cover installing a new FC3850 in the SAN384B chassis.

### Time required

Approximately 20 minutes per blade

### Items required

- ESD (electrostatic discharge) grounding strap
- Workstation computer
- Router blade
- Phillips screwdriver
- Small form factor pluggable (SFP) transceivers (as needed)
- Optical cables (as needed)

### Procedures

Follow the links in the steps below to complete this installation

1. Verify that the routing blade is the correct part: 23R1645.
2. Verify which slot to install the blade. Slots are numbered from one through eight, from bottom to top, when facing the port side of the SAN384Bs. Routing blades can be installed in any of the slots 1, 2, 7, or 8.
3. We recommend having the latest firmware version on the CP blade. The firmware version should match on both the active and the backup CP blades. If the firmware is not at the latest level, obtain new code from the code download website, and install it prior to installing the port blade. See “Fabric OS firmware updates” on page 43 for instructions.

**Note:** Firmware downloads require that Ethernet connections be made to both CP blades. Procedures for downloading and installing firmware are described in the *Fabric OS Administrator’s Guide*.

4. Remove the filler panel (see “Removing and installing blade filler panels” on page 67). Store the filler panel in a location for possible future use.

**Attention:** A filler panel should be removed only when being replaced with a blade or new filler panel. Any slot that is not occupied by a blade should be occupied by a filler panel to ensure correct cooling of the chassis and protection from dust.

5. Install the routing blade ("Installing a blade" on page 66). Remove the protective strip from the blade contacts (if any) before installing the blade.
6. Repeat steps 1-5 for the second routing blade, if any.
7. Configure the routing blade. Configuration instructions are provided in the *Fabric OS Administrator's Guide* in the "Using the FC-FC Routing Service" chapter.
8. Install SFPs ("Removing and installing transceivers" on page 81), and confirm the proper operation of the blade.
9. Install, group, and route the cables as desired. See "Managing cables" on page 42 for additional cabling instructions.

**Attention:** Do not route cables in front of the exhaust vent, which is located at the top on the port side of the chassis.
10. Verify the installation. For information about how to check the status of hardware components using the CLI, see the *Fabric OS Administrator's Guide*, which is located on the product documentation CD.

---

## FC3870 - Installing an FC10-6 10 Gb blade

This feature can be installed while the SAN384B is operational.

**Attention:** Follow these precautions for all procedures in this section to avoid damaging the port blades or chassis:

- Wear a grounded ESD strap when handling a port blade (see "ESD precautions" on page xviii).
- Carefully remove the protective strip (if any) covering the blade connectors before installing any blades.
- Do not force the port blade installation. If the port blade does not slide in easily, ensure that it is correctly aligned inside the rail guides before continuing. Installing a port blade with incorrect alignment damages both the chassis and the replacement part.
- Hold the port blade by the edges of the metal pan. Do not use the ejectors to hold a port blade.
- Disassembling any part of a port blade voids the part warranty and regulatory certifications. There are no user-serviceable parts inside the port blade.

### Time required

Less than 20 minutes.

### Items required

- ESD (electrostatic discharge) grounding strap
- Workstation computer
- Port blade
- Phillips screwdriver
- XFP transceivers (as needed)
- Optical cables (as needed)

## Procedures

Follow the links in the steps below to complete this installation.

1. Verify that the port blade is the correct part: 17P9637.
2. Verify which slot to install the blade. Slots are numbered from one through eight, from bottom to top, when facing the port side of the SAN384Bs. Port blades can be installed in any of the slots 1, 2, 7, or 8.
3. We recommend having the latest firmware version on the CP blade. The firmware version should match on both the active and the backup CP blades. If the firmware is not at the latest level, obtain new code from the code download website, and install it prior to installing the port blade. See “Fabric OS firmware updates” on page 43 for instructions.

**Note:** Firmware downloads require that Ethernet connections be made to both CP blades. Procedures for downloading and installing firmware are described in the *Fabric OS Administrator’s Guide*.

4. Remove the filler panel or port blade. Refer to “Removing and installing port and application blades” on page 64 and “Removing and installing blade filler panels” on page 67.

**Attention:** A filler panel should be removed only when being replaced with a port blade or new filler panel. Any slot that is not occupied by a port blade should be occupied by a filler panel to ensure correct cooling of the chassis and protection from dust.

5. Install the port blade (“Installing a blade” on page 66). Remove the protective strip from the blade contacts (if any) before installing the blade.
6. Repeat steps 1-5 for additional blades, if any.
7. Install XFPs (“Removing and installing transceivers” on page 81), and confirm the proper operation of the blade.
8. Install, group, and route the cables as desired. See “Managing cables” on page 42 for additional cabling instructions.

**Attention:** Do not route cables in front of the exhaust vent, which is located at the top on the port side of the chassis.

9. Verify the installation. For information about how to check the status of hardware components using the CLI, see the *Fabric OS Administrator’s Guide*, which is located on the product documentation CD.

---

## FC3880 - Installing an FCOE10-24 blade

This feature can be installed while the SAN384B is operational.

**Attention:** Follow these precautions for all procedures in this section to avoid damaging the port blades or chassis:

- Wear a grounded ESD strap when handling a port blade (see “ESD precautions” on page xviii).
- Carefully remove the protective strip (if any) covering the blade connectors before installing any blades.
- Do not force the port blade installation. If the port blade does not slide in easily, ensure that it is correctly aligned inside the rail guides before continuing. Installing a port blade with incorrect alignment damages both the chassis and the replacement part.
- Hold the port blade by the edges of the metal pan. Do not use the ejectors to hold a port blade.
- Disassembling any part of a port blade voids the part warranty and regulatory certifications. There are no user-serviceable parts inside the port blade.

### Time required

Less than 20 minutes.

### Items required

- ESD (electrostatic discharge) grounding strap
- Workstation computer
- Port blade
- Phillips screwdriver
- SFP+ transceivers (as needed)
- Optical cables (as needed)

### Procedures

Follow the links in the steps below to complete this installation.

1. Verify that the blade is the correct part.
2. Verify which slot to install the blade. Slots are numbered from one through eight, from bottom to top, when facing the port side of the SAN384Bs. Port blades can be installed in any of the slots 1, 2, 7, or 8.
3. We recommend having the latest firmware version on the CP blade. The firmware version should match on both the active and the backup CP blades. If the firmware is not at the latest level, obtain new code from the code download website, and install it prior to installing the port blade. See “Fabric OS firmware updates” on page 43 for instructions.

**Note:** Firmware downloads require that Ethernet connections be made to both CP blades. Procedures for downloading and installing firmware are described in the *Fabric OS Administrator’s Guide*.

4. Remove the filler panel or port blade. Refer to “Removing and installing port and application blades” on page 64 and “Removing and installing blade filler panels” on page 67.

**Attention:** A filler panel should be removed only when being replaced with a port blade or new filler panel. Any slot that is not occupied by a port blade should be occupied by a filler panel to ensure correct cooling of the chassis and protection from dust.

5. Install the port blade (“Installing a blade” on page 66). Remove the protective strip from the blade contacts (if any) before installing the blade.
6. Repeat steps 1-5 for additional blades, if any.
7. Install the transceivers (“Removing and installing transceivers” on page 81), and confirm the proper operation of the blade.
8. Install, group, and route the cables as desired. See “Managing cables” on page 42 for additional cabling instructions.

**Attention:** Do not route cables in front of the exhaust vent, which is located at the top on the port side of the chassis.

9. Verify the installation. For information about how to check the status of hardware components using the CLI, see the *Fabric OS Administrator’s Guide*, which is located on the product documentation CD.

---

## FC3890 - Installing an FX8-24 extension blade

This feature can be installed while the SAN384B is operational.

**Attention:** Follow these precautions for all procedures in this section to avoid damaging the port blades or chassis:

- Wear a grounded ESD strap when handling a port blade (see “ESD precautions” on page xviii).
- Carefully remove the protective strip (if any) covering the blade connectors before installing any blades.
- Do not force the port blade installation. If the port blade does not slide in easily, ensure that it is correctly aligned inside the rail guides before continuing. Installing a port blade with incorrect alignment damages both the chassis and the replacement part.
- Hold the port blade by the edges of the metal pan. Do not use the ejectors to hold a port blade.
- Disassembling any part of a port blade voids the part warranty and regulatory certifications. There are no user-serviceable parts inside the port blade.

### Time required

Less than 20 minutes.

### Items required

- ESD (electrostatic discharge) grounding strap
- Workstation computer
- Port blade
- Phillips screwdriver
- Transceivers (as needed)
- Optical cables (as needed)

### Procedures

Follow the links in the steps below to complete this installation.

1. Verify that the blade is the correct part.

2. Verify which slot to install the blade. Slots are numbered from one through eight, from bottom to top, when facing the port side of the SAN384Bs. Port blades can be installed in any of the slots 1, 2, 7, or 8.
3. We recommend having the latest firmware version on the CP blade. The firmware version should match on both the active and the backup CP blades. If the firmware is not at the latest level, obtain new code from the code download website, and install it prior to installing the port blade. See “Fabric OS firmware updates” on page 43 for instructions.

**Note:** Firmware downloads require that Ethernet connections be made to both CP blades. Procedures for downloading and installing firmware are described in the *Fabric OS Administrator's Guide*.

4. Remove the filler panel or port blade. Refer to “Removing and installing port and application blades” on page 64 and “Removing and installing blade filler panels” on page 67.

**Attention:** A filler panel should be removed only when being replaced with a port blade or new filler panel. Any slot that is not occupied by a port blade should be occupied by a filler panel to ensure correct cooling of the chassis and protection from dust.

5. Install the port blade (“Installing a blade” on page 66). Remove the protective strip from the blade contacts (if any) before installing the blade.
6. Repeat steps 1-5 for additional blades, if any.
7. Install the transceivers (“Removing and installing transceivers” on page 81), and confirm the proper operation of the blade.
8. Install, group, and route the cables as desired. See “Managing cables” on page 42 for additional cabling instructions.

**Attention:** Do not route cables in front of the exhaust vent, which is located at the top on the port side of the chassis.

9. Verify the installation. For information about how to check the status of hardware components using the CLI, see the *Fabric OS Administrator's Guide*, which is located on the product documentation CD.

---

## FC7870 - Installing an inter-chassis cable kit

This feature can be installed while the SAN384B is operational.

### Time required

Less than 10 minutes, not including installation of the ICL license or any needed configuration.

### Items required

- Inter-chassis link kit (includes two ICL cables)
- FC 7883 (ICL license) is required for each chassis that you are connecting. Instructions for installation are included with that license feature.

### Procedures

**Attention:** If ICL cables are not in use, the ports must have EMI plugs installed to meet EMI and other regulatory certifications.

Follow the links in the steps below to complete this installation.

1. Verify that the inter-chassis link kit is the correct part: 21R9976. The cable PN is 21R9959.



2. Verify with the customer that the ICL license is installed on each chassis to be connected. Enter the **licenseIdShow** command for each chassis. If required, install the ICL license, following the instructions included with the license.
3. Remove the chassis door (“Removing and installing the chassis door” on page 61).
4. Determine the cable routing and ICL sockets on the core switch blades that you will be using to connect the two chassis. Refer to Figure 45 on page 87 and Figure 46 on page 88 for two possible valid options.
5. Remove the EMI plugs from the ICL sockets that you will be connecting. Save the EMI plugs for possible future use.
6. Install the two ICL cables (“Installing an ICL cable” on page 85).
7. Install the chassis door (“Removing and installing the chassis door” on page 61).
8. Enable the inter-chassis links. See the **iclCfg** section in the *Fabric OS Command Reference Manual* for CLI command options.
9. Verify the operation of the ICL (see Table 17 on page 84).



---

## Appendix A. Product specifications

This appendix provides product specifications for the SAN384B.

- “General specifications”
- “System architecture”
- “System size and weights” on page 122
- “Facility requirements” on page 123
- “Environmental requirements” on page 123
- “Fibre channel port specifications” on page 124
- “Power specifications” on page 124
- “Data transmission ranges” on page 125
- “FR4-18i routing blade port specifications” on page 125
- “Power cords” on page 126

---

### General specifications

Table 20. General product specifications

Specification	Description
Configurable port types	F_Port, FL_Port, E_Port, VEX_Port, VE_Port, EX_Port, and M_Port
System architecture	Nonblocking shared memory
System processor	FreeScale 8548, 1.2 GHz
ANSI Fibre Channel protocol	FC-PH (Fibre Channel Physical and Signalling Interface standard)
Modes of operation	Fibre Channel Class 2, Class 3, and Class F
Fabric initialization	Complies with FC-SW 5.0
FC-IP (IP over Fibre Channel)	Complies with FC-IP 2.3 of the FCA profile
Aggregate I/O bandwidth	2 Tbps per chassis (fully populated with four FC8-64 blades)
Port to port latency	Less than 2 microseconds with no contention (destination port is free)
Routing capacity	A minimum aggregate routing capacity of four million frames per second (for Class 2, Class 3, and Class F frames in a 64-port switch)

---

### System architecture

Table 21 lists the system architecture for the SAN384B.

Table 21. System architecture

Fibre Channel Ports	Up to 256 ports, universal (E_Port, F_Port, FL_port, Ex_Port, and M_Port)
Control Processor	Redundant (active/standby) control processor modules
Scalability	Full fabric architecture: 239 switches maximum

Table 21. System architecture (continued)

Performance	<p>1.063 Gbps line speed, full duplex</p> <p>2.125 Gbps line speed, full duplex</p> <p>4.25 Gbps line speed, full duplex</p> <p>8.50 Gbps line speed, full duplex</p> <p>10.51875 Gbps line speed, full duplex (with FC10-6 blade)</p> <p>Autosensing of 1, 2, 4, and 8 Gbps port speeds optionally programmable to fixed port speed, speed matching between 1, 2, 4, and 8 Gbps port speeds. Range depends on use of 4 Gbps or 8 Gbps SFPs.</p>
ISL Trunking	Can use up to 8 ports in a trunk group to form a 64 Gbps trunk
Aggregate bandwidth	3 Tbps per chassis
Switch latency	<p>FC8-16, FC8-32, FC8-48, FC8-64 blades: &lt;2.1 msec any port to any port at 8 Gbps, cut-through routing.</p> <p>For the FR4-18i blade: &lt;3.6 msec any port to any port at 4 Gbps, cut-through routing.</p> <p>For the FX8-24 blade: &lt;2.1 msec any port to any port at 8 Gbps, cut-through routing.</p> <p>For the FCOE10-24 blade: CEE to CEE (different ASIC) and FCoE to FC: &lt;5 msec any port to any port at 10 Gbps, cut-through routing.</p>
Maximum frame size	2112-byte payload
Frame buffers	2048 per ASIC, dynamically allocated.
Classes of service	Class 2, Class 3, Class F (interswitch frames)

Table 21. System architecture (continued)

Port types	<p>FC8-16 and FC8-32 support these port types: FL_Port, F_Port, E_Port, and M_Port</p> <p>FC8-48 supports these port types: E_Port, F_Port, and M_Port</p> <p>FC8-64 supports these port types: F_Port, FL_Port, E_Port, Ex_Port, and M_Port</p> <p>FC10-6 supports these port types: E_Port and M_Port</p> <p>FR4-18i supports these port types: FL_Port, F_Port, E_Ports, M_Port, VE_Port, EX_Port, and VEX_Port</p> <p>FX8-24 supports these port types: F_Port, FL_Port, E_Port, and Ex_Port on FC VE_Port on GbE</p> <p>FCOE10-24 supports these port types: VF_Port</p> <p><b>Note:</b> Self-discovery is based on switch type (U_Port) with an optional port type control.</p>
Data traffic types	Fabric switches supporting unicast, multicast (255 groups), and broadcast
Media types	<p><b>Note:</b> Brocade-branded SFPs are required on this product. For a listing of SFPs and XFPs compatible with this product:</p> <ul style="list-style-type: none"> <li>• Go to the IBM SAN web page <a href="http://www.ibm.com/systems/storage/san">http://www.ibm.com/systems/storage/san</a></li> <li>• Select the SAN384B product link</li> <li>• On the SAN384B product page, click the <b>Interoperability Matrix</b> link.</li> <li>• In the Interoperability matrix, click the <b>Transceivers</b> link.</li> </ul>
Fabric services	<p>Access Control Lists (ACLs); Advanced Performance Monitoring; Adaptive Networking (Ingress Rate Limiting, Traffic Isolation, QoS); auditing; BB credit recovery; Brocade Advanced Zoning (default zoning, port/WWN zoning, broadcast zoning); Dynamic Path Selection (DPS); End-to-End Performance monitoring; Extended Fabrics; Fabric Watch; FDMI; FICON CUP; Frame Redirection; FSPF; Integrated Routing (FR4-18i SAN Extension blade not required for routing); IPFC; ISL Trunking; Management Server; N_Port Trunking; NPIV; NTP v3; Port Fencing; RASlog; Registered State Change Notification (RSCN); Reliable Commit Service (RCS); Simple Name Server (SNS); syslog; Top Talkers; Virtual Fabrics (Logical Switch, Logical Fabric); Web Tools</p>
Inter-chassis linking (ICL)	Chassis-to-chassis linkage through connectors on the core switch blade (CR4S-8)

## System size and weights

The weight of the SAN384B can vary considerably depending on the combination of blades installed. Use Table 22 and Table 23 to determine the weight of the system with your combination of port and application blades.

Table 22. System sizes and weights

System specification	Size and weight
Width	43.74 cm (17.22 in.)
Height	35.6 cm (14 in., 8U); 40 cm (15.75 in., 9U) with the port-side exhaust kit
Depth (without door)	61.29 cm (24.13 in.)
Depth (with door)	73.20 cm (28.82 in.)
SAN384B: 256-port configuration with four FC8-64 port blades	68 kg (150 lb.)
Empty chassis: <ul style="list-style-type: none"> <li>• No blades</li> <li>• No CPs</li> <li>• No CRs</li> <li>• No power supplies</li> <li>• No fan assemblies</li> </ul>	25.76 kg (56.8 lb.)

## System blade and FRU weights

Table 23 lists the weights of the compatible blades and other FRUs.

Table 23. System FRU weights

FRU	Weight
CP blade (CP8)	3.0 kg (6.6 lb)
CR blade (CR4S-8)	3.27 kg (7.2 lb)
FC8-16 port blade	3.0 kg (6.6 lb) without media
FC8-32 port blade	3.27 kg (7.2 lb) without media
FC8-48 port blade	3.36 kg (7.4 lb) without media
FC8-64 port blade	3.36 kg (7.4 lb) without media
FC10-6 port blade	3.1 kg (6.8 lb) without media
FR4-18i routing blade	3.36 kg (7.4 lb) without media
FX8-24 extension blade	4.2 kg (9.2 lb) without media
FCOE10-24 FCoE blade	3.72 kg (8.2 lb) without media
Port card filler panel	1.5 kg (3.2 lb)
Power supply	2.45 kg (5.4 lb)
Blower assembly	5.73 kg (12.6 lb)
WWN bezel and cards	0.3 kg (0.6 lb)
Vertical cable management finger assembly (2)	0.45 kg (1.0 lb.)
Chassis door	2.09 kg (4.6 lb.)

## Facility requirements

The facility where the SAN384B is in use must meet the following requirements to provide for correct operation:

- Adequate supply circuit, line fusing, and wire size, as specified by the electrical rating on the chassis nameplate
- An air flow of at least 425 cubic meters per hour (250 cubic feet per minute), available in the immediate vicinity of the SAN384B
- The power specifications listed in Table 25 on page 124
- The environmental specifications listed in Table 24
- If the SAN384B will be installed in an EIA rack, ensure the following:
  - All equipment installed in the rack has a reliable branch circuit ground connection, and does not rely on a connection to a branch circuit, such as a power strip.
  - The rack is balanced and mechanically secured to provide stability in the event of an earthquake.
  - Additional equipment does not exceed the rack's weight limits.

## Environmental requirements

Table 24 lists the environmental operating ranges for the SAN384B. The requirements for non-operating conditions are also provided for acceptable storage and transportation environments.

### CAUTION:

**For CA residents only: IBM recommends installing this product in a room size of 2190 cubic feet (62 cubic meters) or larger at 0.4 ACH ventilation rate to reduce the concentrations of any chemicals emitted by the product.**

Table 24. Environmental requirements

Condition	Acceptable range during operation	Acceptable range during nonoperation
Ambient temperature	10° to 40° C outside switch (50° to 104° F)	-40° to +70° C outside switch (-40° to 158° F)
Humidity	5% to 85% RH noncondensing, at 40° Celsius, with maximum gradient of 10% per hour	10% to 93% RH noncondensing, at 70° Celsius
Altitude	Up to 3 km (10,000 ft.) above sea level	0 to 12 km (40,000 ft.) above sea level
Shock	20G, 6ms duration, half-sine wave	33G, 11ms duration, half-sine wave
Vibration	0.5G p-p, 5-500 Hz at 1.0 octave/minute	2.0G p-p, 5-500 Hz at 1.0 octave/minute
Air flow	425 cu m/hr (250 cu ft/min)	None required
Heat dissipation	753 Watts or 2570 BTU/hr (192 port configuration)	Not applicable.

**Note:** The 10° to 40° Celsius range applies to the ambient air temperature at the air intake vents on the nonport side of the SAN384B. The temperature inside the SAN384B can be up to 75° Celsius during SAN384B operation. If the

internal temperature range exceeds the operating ranges of the components, the LEDs, error messages, and Fabric Watch alerts will indicate a problem. Use the **tempShow** command or Fabric Watch commands to view temperature status.

## Fibre channel port specifications

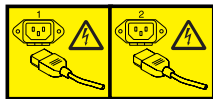
The Fibre channel ports in the SAN384B support full duplex link speeds at 10.51875, 8.50, 4.25, 2.125, or 1.0625 Gbps inbound and outbound, automatically negotiating to the highest common speed of all devices connected to the port.

The ports are compatible with optical SWL (short wavelength: approximately 850 nm), optical LWL (long wavelength: approximately 1310 nm), and Extended Long Wavelength (ELWL) laser transmitter SFPs, SFP+, mSFP (FC8-64 only), and XFPs (FC10-6 only) (approximately 1550 nm). The strength of the signal is determined by the type of SFP, SFP+, mSFP or XFP in use. mSFPs support only SWL.

The ports are universal and self-configuring, capable of becoming F\_Ports (fabric ports), FL\_Ports (fabric loop enabled), or E\_Ports (expansion ports).

The ports meet all required safety standards.

## Power specifications



### DANGER

Multiple power cords. The product might be equipped with multiple power cords. To remove all hazardous voltages, disconnect all power cords. (L003)

The power subsystem is a redundant +48V DC power distribution system with a provision for up to two 2000-watt, 48V DC bulk power supplies. Two bulk power supplies produce the intermediate distribution voltage in the distributed power system.

The power specifications listed in Table 25 are calculated for fully-loaded systems with two power supplies, four FC8-64 port blades, two CP8 blades, two CR4S-8 blades, and two blower assemblies. The use of application blades will consume additional power.

Table 25. Power specifications

Specification	Value
Voltage	Range: 85 - 264 VAC Auto-volt, Nominal: 100 to 240 VAC (auto-sensing)
Power supply output (each)	Low line (85- 132 VAC), 1000W; High line (180 - 264 VAC), 2000W
Input frequency range	Range: 47-63 Hz; Nominal: 50 - 60 Hz
AC inrush	Maximum 20A peak



Table 25. Power specifications (continued)

Specification	Value
System power consumption	AC power consumption is configuration-specific. A system with four FC8-48 port blades (loaded with 1W SFPs), two CP8 blades, two CR4S-8 blades, and two blower assemblies consumes 841W.

## Data transmission ranges

Table 26 provides the data transmission ranges for different cable types and port speeds.

**Note:** The full range of 1, 2, 4, 8, and 10 Gbps can only be achieved by a combination of 4 Gbps SFPs (1, 2, and 4 Gbps), 8 Gbps SFP+ (2, 4, and 8 Gbps), and 10 Gbps XFP transceivers.

Table 26. Supported optics, speeds, cables, and distances

Transceiver type	Form factor	Speed	Multi-Mode Media Maximum Distance			Single Mode Media Maximum Distance
			62.5 microns (OM1)	50 microns (OM2)	50 microns (OM3)	9 microns
SWL	SFP	1 Gbps	300 m (984 ft.)	500 m (1640 ft.)	860 m (2821 ft.)	N/A
	mSFP/SFP/SFP+	2 Gbps	150 m (492 ft.)	300 m (984 ft.)	500 m (1640 ft.)	N/A
	mSFP/SFP/SFP+	4 Gbps	70 m (229 ft.)	150 m (492 ft.)	380 m (1264 ft.)	N/A
	mSFP/SFP+	8 Gbps	21 m (68 ft.)	50 m (164 ft.)	150 m (492 ft.)	N/A
	XFP	10 Gbps	N/A	N/A	300 m (984 ft.)	N/A
LWL	SFP	2 Gbps	N/A	N/A	N/A	30 km (18.6 mi)
	SFP	4 Gbps	N/A	N/A	N/A	30 km (18.6 mi)
	SFP+	8 Gbps	N/A	N/A	N/A	N/A
	XFP	10 Gbps	N/A	N/A	N/A	10 km (6.2 mi)
ELWL	XFP	10 Gbps	N/A	N/A	N/A	40 km (24.8 mi)

Greater distances can be achieved with the addition of the optional Extended Fabrics software.

## FR4-18i routing blade port specifications

### Fibre Channel port specifications

The Fibre Channel ports in the FR4-18i routing blade are compatible with SWL, LWL, and ELWL SFP transceivers. The strength of the signal is determined by the

type of transceiver in use. The ports meet all required safety standards. The ports are capable of operating at 1-, 2-, or 4-Gbps and are able to auto-negotiate to the maximum link speed.

## GbE port specifications

The GbE ports in the FR4-18i routing blade are compatible with SWL, LWL, and ELWL SFP transceivers. A copper 1 GbE SFP is also available for this blade. The strength of the signal is determined by the type of transceiver in use. The GbE ports are capable of operating at 1 Gbps. The eight virtual FCIP Fibre Channel links over each physical GbE connection share this bandwidth.

---

## Power cords

Two power cords for connecting between the SAN384B and the power distribution units on the 2109 C36 cabinet are shipped with the product. See the *IBM TotalStorage SAN Cabinet 2109 Model C36 Installation and Service Guide* for information on connecting the cabinet to the facility power source. If the stand-alone feature is ordered for the SAN384B, then you must also order the country-specific power cords.

---

## Appendix B. Application blades

This appendix contains specification information about optional application blades

---

### FR4-18i blade

The FR4-18i blade has 16 physical Fibre Channel SFP ports supporting the Fibre Channel Routing Services, and two physical Gigabit Ethernet (GbE) SFP ports supporting the Fibre Channel Over IP (FCIP) feature. It operates with the Fabric Operating System and can communicate with another FR4-18i or a SAN04B-R for both Fibre Channel Routing services and FCIP.

The FR4-18i blade is intended as a platform for Fibre Channel Routing Services and FCIP. Refer to the *Fabric OS Administrator's Guide* for information on configuring these features.

The FR4-18i blade provides the following features:

- 16 Fibre Channel SFP ports supporting the Fibre Channel Routing Services with link speeds up to 1, 2, or 4 Gbps.
- 2 GbE ports supporting the FCIP and Fibre Channel Routing Services with fixed link speed at 1 Gbps:
  - Each GbE port can support up to eight FCIP tunnels.
  - Each FCIP tunnel is represented and managed as a virtual Fibre Channel E\_Port.
  - Fibre Channel Routing Services can be used over the FCIP link.
  - Fabrics connected through FCIP merge if the ports are configured as VE\_Ports, and do not merge if they are configured as VEX\_Ports. If VE\_Ports are used in a Fibre Channel Routing Services backbone fabric configuration, then the backbone fabric merges, but the EX\_Port-attached edge fabrics do not merge. For more information refer to the *Fabric OS Administrator's Guide*.

---

### FX8-24 blade

The FX8-24 blade has 12 external Fibre Channel (FC) SFP ports supporting the Fibre Channel Routing Services and 10 external 1 Gigabit Ethernet (GbE or GE) SFP ports supporting the Fibre Channel Over IP (FCIP) feature. There are also 2 licensable external 10 Gigabit Ethernet (10GbE or 10GE) SFP ports supporting FCIP. It operates with the Fabric Operating System and can communicate with another FX8-24 or a SAN06B-R for both Fibre Channel Routing Services and FCIP. The GbE ports on the FX8-24 are *not* compatible with the GbE ports on the FR4-18i blade or the SAN04B-R switch.

**Note:** The port diagram on the front panel of the blade uses the abbreviations GE for 1 GbE and 10GE for 10 GbE ports.

The FX8-24 operates in one of three modes: 1) ten 1 GbE ports, 2) ten 1GbE ports and one 10 GbE port, or 3) two 10 GbE ports depending on licensing and subsequent configuration of GbE port mode. If operating in 10GbE mode the other end of the circuit must also be an FX8-24 operating in either 10GbE mode or dual mode with the corresponding VE\_ports in 10GbE mode.

The FX8-24 blade is intended as a platform for FCIP and Fibre Channel Routing Services. Refer to the *Fabric OS Administrator's Guide* for information on configuring these features. The FX8-24 blade provides the following hardware features:

- 12 autosensing FC ports with link speeds of 1, 2, 4 or 8 Gbps
- Ten GbE ports supporting FCIP with fixed link speed at 1 Gbps
- Two 10 GbE ports (licensable) supporting FCIP with fixed link speed at 10 Gbps

The FX8-24 blade also provides the following functionality features:

- FCIP
- Compression (on FC frames before FCIP encapsulation)
- FC Routing (licensable)
- FCIP Trunking (licensable) with network-based failure recovery (failover only) and load balancing
- Multiple circuits per trunk
  - Four per trunk through the GbE ports
  - Ten per trunk through the 10 GbE ports
- SO-TCP with reorder resistance
- FastWrite over FCIP
- Tape pipelining over FCIP
- FICON XRC emulation and tape pipelining over FCIP (licensable)
- FICON CUP (licensable)
- Virtual E\_ports
- FCIP QoS
- Support for 200 ms RTT (on a limited number of GbE ports)
- Adaptive Rate Limiting (licensable)
- TCP performance graphing in Web Tools
- FCIP Tunnels
  - A maximum of 10 FCIP Tunnels for all GbE ports
  - Four tunnels maximum per GbE port
  - Two 10 GbE ports can support up to ten FCIP tunnels each
  - Each FCIP tunnel is represented and managed as a virtual Fibre Channel E\_Port
  - Fibre Channel Routing Services can be used over the FCIP link
  - Fabrics connected through FCIP merge if the ports are configured as VE\_Ports, and do not merge if they are configured as VEX\_Ports. If VE\_Ports are used in a Fibre Channel Routing Services backbone fabric configuration, then the backbone fabric merges, but the EX\_Port-attached edge fabrics do not merge. For more information refer to the *Fabric OS Administrator's Guide*.
- Up to three FC trunking groups. The three groups are defined as:
  - Trunk group 0: FC ports 0, 1
  - Trunk group 1: FC ports 6, 7
  - Trunk group 2: FC ports 2, 3, 4, 5, 8, 9, 10, 11

---

## FCOE10-24 blade

The FCOE10-24 blade has 24 Fibre Channel over Ethernet (FCoE) ports that enable the transmission of FC frames over an Ethernet network via encapsulation in standard Ethernet packets. This is enabled by adherence to Converged Enhanced Ethernet (CEE) standards, a low latency, lossless Ethernet standard. This does not require dedicated Ethernet lines, but rather can make use of existing Ethernet infrastructure to reduce costs.

**Attention:** This blade cannot be used in the same chassis with an FC8-64 port blade or the FR4-18i or FX8-24 application blades.

There are no licensing requirements for functionality on this blade. Refer to the *Fabric OS Administrator's Guide* for information on configuring these features.

The FCOE10-24 blade supports only optical cabling and transceivers (SFP+). The FCOE10-24 blade provides the following hardware features:

- 24 FCoE ports operating at 10 Gbps
- 32 FC ports operating at 8 Gbps through the backplane
- Hot pluggable
- I<sup>2</sup>C Management interface through the backplane
- JTAG support
- Blade power and status LEDs
- Link status LEDs per port

The FCOE10-24 blade also provides the following functionality features:

- FCoE switching
- CEE switching
- Layer 2 Ethernet protocols STP/MSTP/RSTP, 802.1q, and Link Aggregation (802.1ad)
- Standard Ethernet encapsulation
- End of row deployment

Refer to the *Fabric OS Administrator's Guide* for information on configuring these features.



---

## Appendix C. Diagnostics and troubleshooting

For information about troubleshooting the entire fabric, refer to the *Fabric OS Troubleshooting and Diagnostics Guide*.

The SAN384B includes a number of diagnostic tools to assist with troubleshooting, including LEDs on the hardware, commands that display current status, diagnostic tests for hardware and software, and error messages. In addition, a number of managing and monitoring features are available, such as Fabric Manager, Web Tools, Fabric Watch, and Advanced Performance Monitoring.

If the SAN384B does not operate as expected, the following steps can be taken to diagnose the problem:

- Check the LEDs and refer to the LED tables (see Chapter 4, “Monitoring system components,” on page 45) for interpretation and recommended actions.
- Review the results of the last POST run by the SAN384B (see “Interpreting POST and boot results” on page 132).
- Review the error logs (refer to the *Fabric OS Messages Reference* and the *Fabric OS Administrator’s Guide* for more information).
- Enter the **sensorShow** command to determine the status of the hardware components.
- Run diagnostic tests (see “Diagnostics” on page 133).
- Reboot the SAN384B or power the entire chassis off (“Powering off the SAN384B” on page 44 and then back on (“Providing power to the SAN384B” on page 35).

If the problem is still unresolved after these steps, contact technical support. The information required by technical support in order to provide assistance is listed under “Getting help” on page iii

This appendix provides the following information:

- “Obtaining chassis and component status”
- “Interpreting POST and boot results” on page 132
- “Diagnostics” on page 133
- “Troubleshooting” on page 133

---

### Obtaining chassis and component status

The CLI commands listed in Table 27 on page 132 provide status and environmental information about the chassis and its components. These commands provide information only, and they do not interrupt traffic flow. For more information about these commands, refer to the *Fabric OS Command Reference*.

Table 27. Environmental status and maintenance commands

Command	Information Displayed
<b>sensorShow</b>	Temperature readings for the port blades
	Temperature readings for the CP blades
	Status and RPM of all operational fans
	Status of all operational power supplies
<b>tempShow</b>	Temperature readings for the port blades
	Temperature readings for the CP blades
<b>psShow</b>	Status of all operational power supplies
<b>fanShow</b>	Status and RPM of all operational fans
<b>chassisShow</b>	Serial number, time awake, and additional information about each component
<b>slotShow</b>	Slot occupancy
<b>errShow, errDump</b>	System error log. Refer to the <i>Fabric OS Message Reference</i> for more information on the messages in this log.

## Interpreting POST and boot results

The SAN384B performs power on self test (POST) by default each time the system is powered on, rebooted, or reset. The system can be rebooted using the **reboot** (to reboot each CP individually), or **fastBoot** commands. The **fastBoot** command reboots the SAN384B without running POST. If the active CP blade is rebooted, it fails over to the standby CP blade.

### POST

To verify that POST has completed without error:

- Verify that all LEDs return to a normal state after POST completes (see Chapter 4, "Monitoring system components," on page 45).  
If one or more LEDs do not return to a normal state, and this is not due to the SAN384B being set to beacon, refer to the relevant LED table to identify and correct the problem. For port blades, router blades, and CP blades, the **slotShow** command can be used to check the status of the slots. For information about turning beaconing on/off, refer to the *Fabric OS Administrator's Guide*.
- Verify that the switch prompt displays when POST completes.  
If it does not display, POST was not successfully completed. Contact IBM for support.
- Review the system error log using the **errShow** or **errDump** commands.
- Any errors detected during POST are written to the system log, which is accessible through the **errShow** command. For information about error messages, refer to the *Fabric OS Message Reference*.

POST includes the following steps:

1. Preliminary POST diagnostics are run.
2. Operating system is initialized.
3. Hardware is initialized.



4. Diagnostic tests are run on several functions, including circuitry, port functionality, ability to send and receive frames, all aspects of memory, parity, statistics counters, and serialization.

## Boot

In addition to POST, boot includes the following steps after POST is complete:

1. Universal port configuration is performed.
2. Links are initialized.
3. Fabric is analyzed. If any ports are connected to other switches, the SAN384B participates in a fabric configuration.
4. The SAN384B obtains a domain ID and assigns port addresses.
5. Unicast routing tables are constructed.
6. Normal port operation is enabled.

---

## Diagnostics

Diagnostic tests are automatically run during POST to check the status of the SAN384B. Any error messages generated during POST are sent to the error logs and to the serial console, if connected.

Diagnostic tests can also be run manually to test and troubleshoot the hardware and the firmware, including internal connections and circuitry, transceivers, and port cables. However, diagnostic tests are generally intended for use by support personnel.

**Note:** Error messages do not necessarily indicate that the SAN384B requires maintenance.

Each diagnostic test can be implemented by entering the related command through a Telnet or serial session. For a list of diagnostic tests and commands, refer to the *Fabric OS Command Reference Manual* and the *Fabric OS Administrator's Guide*.

All diagnostic tests are run at link speeds of 1, 2, 4, and 8 Gbps. They might temporarily lock the transmit and receive speeds to a specific speed. Some diagnostic tests require interconnecting the ports to each other or using loopback plugs. If ports are interconnected, the media (cables and transceivers) at each end of the connection must be of the same type. For example, short wavelength media must be connected to short wavelength media, and likewise with long wavelength media and copper media.

For more information about diagnostic tests and how to run them, refer to the *Fabric OS Administrator's Guide* and the *Fabric OS Command Reference Manual*. For information about diagnostic error messages (**errShow** or **errDump**), refer to the *Fabric OS Message Reference Manual*.

---

## Troubleshooting

Table 28 provides a list of issues, possible causes, and recommended actions.

*Table 28. Troubleshooting*

Issue	Possible Cause	Recommended Action
Entire chassis powers off automatically.	Power supplies are inadequate to support the installed components.	Add an additional power supply.

Table 28. Troubleshooting (continued)

Several or all components are not operating.	One or both power cables may not be connected to a live source.	Ensure that both power cables are connected to live outlets.
	One or both AC power switches might be off.	Ensure that both AC power switches are on (AC switches light up green when on).
Serial connection is faulty or serial port logs have incorrect or missing information.	Serial cable is not connected correctly.	Ensure that the cable is firmly connected to workstation computer and to the SAN384B.
	Terminal emulator application parameters are not set correctly.	Ensure that the terminal emulator application is configured as follows: 9600 bits per second, 8 databits, no parity, 1 stop bit, no flow control.
	Serial port might be incompatible (only RS-232 is supported).	Ensure that the SAN384B is connected to an RS-232 port. RS-423 serial ports might experience difficulties due to corner-case incompatibilities of the standards.
	Pins on the serial cable or serial port might be damaged.	Remove the cable and inspect the pins on the cable and in the serial port. Do not reinstall if the pins on either component have any visible damage, as this could damage the pins on the other component. Replace components as required.
CP Ethernet link speed is different than expected or a link cannot be established.	There might be a conflict with the CP Ethernet link speed negotiation set up by the network.	Specify the CP Ethernet link speed by entering the <b>ifModeSet</b> command.
Configuration data is inaccurate or cannot be accessed.	Chassis was powered off/on while the WWN card was uninstalled or failed.	Install an operational WWN card and power the system off/on again.
	The SAN384B was rebooted while the WWN card was uninstalled or failed.	
Initial set up results in IP address/Domain ID conflict.	The SAN384B was connected to the fabric before being configured.	Refer to Chapter 3, "Starting and configuring the SAN384B," on page 33 and the <i>Fabric OS Administrator's Guide</i> for configuration information.
LEDs on one or more components are changing rapidly or do not indicate a healthy state.	The SAN384B might be booting or running POST.	Verify that boot and POST are complete. The SAN384B requires a minimum of 3 minutes, usually, after power-on to complete POST.
	Beaconing might be on for the entire SAN384B or for individual components.	Determine whether beaconing is on by entering the <b>switchShow</b> command and determine whether switch beaconing or blade beaconing is on.
	Individual components might have failed.	Refer to the LED tables in Chapter 4, "Monitoring system components," on page 45 for interpretation and recommended actions.
	Pins on the components might be damaged.	Remove the component from the chassis and inspect the pins on the component and inside the chassis. Do not reinstall if pins on either component are visibly damaged, as this could damage pins on other component. Replace the parts as required.

Table 28. Troubleshooting (continued)

None of the LEDs on an individual component are on.	Component might not be seated correctly.	Ensure that the SAN384B has power and component is firmly seated. If problem continues, run the <b>sensorShow</b> command to determine component status. If component is a CP blade or port blade, enter the <b>slotShow</b> command to determine the status.
	Component might have failed.	Replace the component as necessary.
CP blades are failing over frequently.	A third-party application has a memory leak.	Check the application for memory leaks.
	There is excessive serial port activity.	Ensure that the serial port activity remains below the specified amount.
	CP blade is attached to an Ethernet with high traffic loads.	Ensure that Ethernet traffic remains below specified amount.
	Chassis is overheated.	Enter the <b>tempShow</b> and <b>sensorShow</b> commands to check the internal temperature. If components are overheating, shut down port blades as necessary to return the temperature to operating range.
One or more port or router blades have either shut down or failed POST as indicated by the error log.	Blades might be overheated.	Enter the <b>sensorShow</b> command to check the internal temperature readings. If components are overheating, shut down port blades as necessary to return the temperature readings to the operating ranges.
	Blades might be faulty.	Enter the <b>slotShow</b> command to determine status. For more information, enter the <b>diagDisablePost</b> command; then, the <b>slotPowerOff [slot number]</b> and <b>slotPowerOn [slot number]</b> command. Resolve the source of the problem or replace the blade as required.
	Pins on the blade or the backplane might be damaged.	Remove the blade from the chassis and inspect pins on the blade and on the backplane inside the slot. Do not reinstall if pins on either component are visibly damaged, as this could damage pins on other component. Replace the components as required.
An individual component is not operating as expected.	Component may not have power or may not be firmly seated.	Ensure component is receiving power (power LED should be on) and component is firmly seated.
	Pins on the component or the backplane might be damaged.	Remove the component from the chassis and inspect the pins on the component and inside the chassis. Do not reinstall if pins on either component are visibly damaged, as this could damage pins on other component. Replace parts as required.
	The component might have failed.	Enter the <b>tempShow</b> and <b>sensorShow</b> commands to determine component status. If component is a CP blade or port blade, enter the <b>slotShow</b> command to determine the status. Replace the component as necessary.



## Appendix D. Blade port numbering

You can print or copy the illustrations in this appendix and use them to record the port numbering pattern for your SAN384B. See "Port numbering" on page 28 for details on the port numbering pattern for the different blades.

- Figure 51 shows an FC8-16 port blade
- Figure 52 shows an FC8-32 port blade
- Figure 53 on page 138 shows an FC8-48 port blade
- Figure 54 on page 138 shows an FC8-64 port blade
- Figure 55 on page 138 shows an FC10-6 port blade
- Figure 56 on page 138 shows an FR4-18i routing blade
- Figure 57 on page 139 shows an FX8-24 extension blade

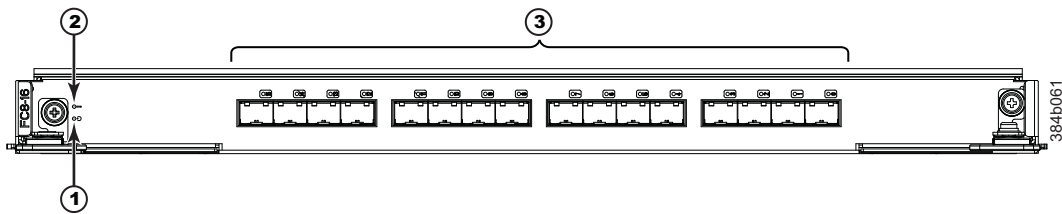


Figure 51. FC8-16 port blade

- |          |            |          |                               |
|----------|------------|----------|-------------------------------|
| <b>1</b> | Power LED  | <b>3</b> | FC ports 0-15 (right to left) |
| <b>2</b> | Status LED |          |                               |

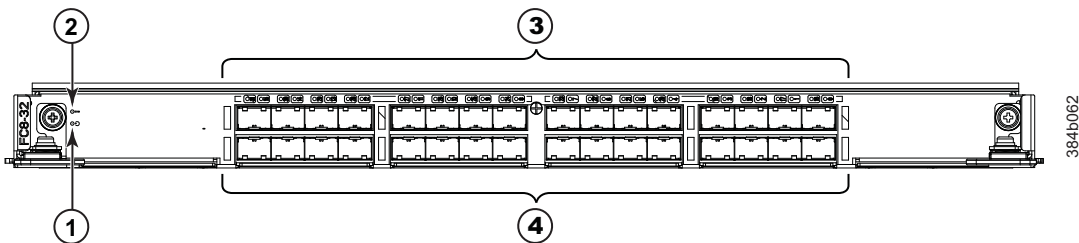


Figure 52. FC8-32 port blade

- |          |            |          |                                |
|----------|------------|----------|--------------------------------|
| <b>1</b> | Power LED  | <b>3</b> | FC ports 16-31 (right to left) |
| <b>2</b> | Status LED | <b>4</b> | FC ports 0-15 (right to left)  |

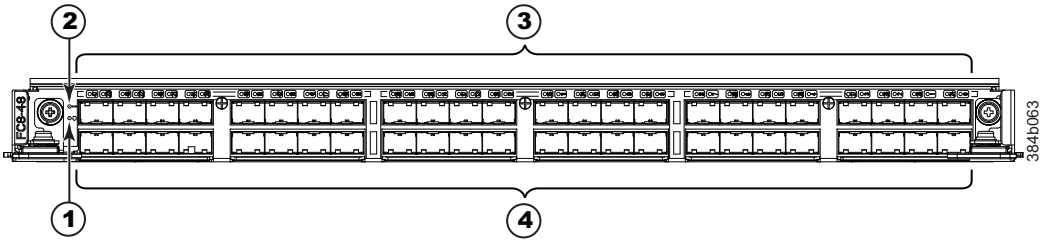


Figure 53. FC8-48 port blade

- |          |            |          |                                |
|----------|------------|----------|--------------------------------|
| <b>1</b> | Power LED  | <b>3</b> | FC ports 24-47 (right to left) |
| <b>2</b> | Status LED | <b>4</b> | FC ports 0-23 (right to left)  |

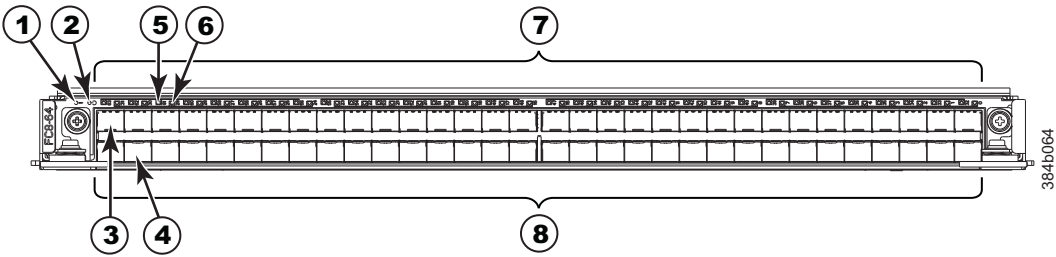


Figure 54. FC8-64 port blade

- |          |            |          |                                |
|----------|------------|----------|--------------------------------|
| <b>1</b> | Status LED | <b>5</b> | port 61 LED                    |
| <b>2</b> | Power LED  | <b>6</b> | port 29 LED                    |
| <b>3</b> | Port 63    | <b>7</b> | FC ports 32-63 (right to left) |
| <b>4</b> | Port 30    | <b>8</b> | FC ports 0-31 (right to left)  |

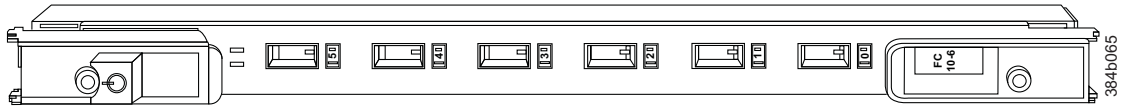


Figure 55. FC10-6 port blade, ports 0-5 from right to left

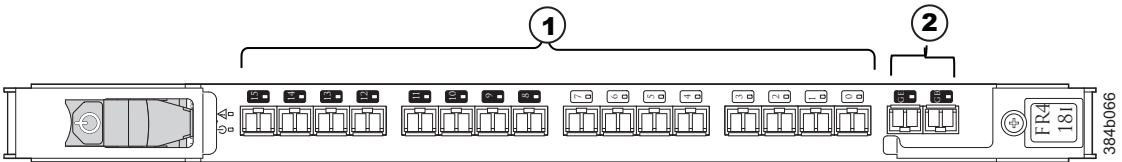


Figure 56. FR4-18i routing blade

- |          |                               |          |                                 |
|----------|-------------------------------|----------|---------------------------------|
| <b>1</b> | FC ports 0-15 (right to left) | <b>2</b> | GbE ports (GE0 right, GE1 left) |
|----------|-------------------------------|----------|---------------------------------|

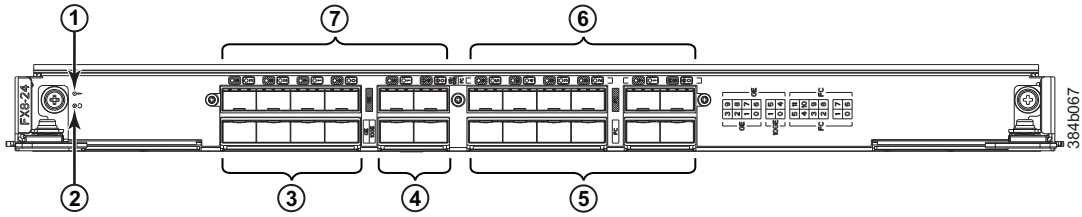


Figure 57. FX8-24 extension blade

- |          |   |          |  |
|----------|---|----------|--|
| <b>1</b> | Status LED                                | <b>5</b> | FC ports 0-5 (numbered right to left)    |
| <b>2</b> | Power LED                                 | <b>6</b> | FC ports 6-11 (numbered right to left)   |
| <b>3</b> | 1 GbE ports 0-3 (numbered right to left)  | <b>7</b> | 1 GbE ports 4-9 (numbered right to left) |
| <b>4</b> | 10 GbE ports 0-1 (numbered right to left) |          |  |

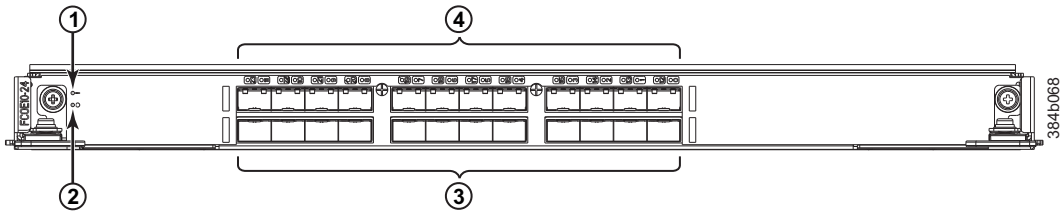


Figure 58. FCOE10-24 blade

- |          |            |          |  |
|----------|------------|----------|--|
| <b>1</b> | Status LED | <b>3</b> | 10 GbE FCoE ports 0-11 (numbered right to left)  |
| <b>2</b> | Power LED  | <b>4</b> | 10 GbE FCoE ports 12-23 (numbered right to left) |





---

## Notices

This information was developed for products and services offered in the USA.

IBM may not offer the products, services, or features discussed in this document in other countries. Consult your local IBM representative for information on the products and services currently available in your area. Any reference to an IBM product, program, or service is not intended to state or imply that only that IBM product, program, or service may be used. Any functionally equivalent product, program, or service that does not infringe on any IBM intellectual property right may be used instead. However, it is the user's responsibility to evaluate and verify the operation of any non-IBM product, program, or service.

IBM may have patents or pending patent applications covering subject matter described in this document. The furnishing of this document does not give you any license to these patents. You can send license inquiries, in writing to:

*IBM Director of Licensing  
IBM Corporation  
North Castle Drive  
Armonk, N.Y. 10504-1785  
U.S.A.*

For additional information, visit the web at:  
<http://www.ibm.com/ibm/licensing/contact/>

**The following paragraph does not apply to the United Kingdom or any other country where such provisions are inconsistent with local law:**

INTERNATIONAL BUSINESS MACHINES CORPORATION PROVIDES THIS PUBLICATION "AS IS" WITHOUT WARRANTY OF ANY KIND, EITHER EXPRESS OR IMPLIED, INCLUDING, BUT NOT LIMITED TO, THE IMPLIED WARRANTIES OF NON-INFRINGEMENT, MERCHANTABILITY OR FITNESS FOR A PARTICULAR PURPOSE. Some states do not allow disclaimer of express or implied warranties in certain transactions, therefore, this statement may not apply to you.

This information could include technical inaccuracies or typographical errors. Changes are periodically made to the information herein; these changes will be incorporated in new editions of the publication. IBM may make improvements and/or changes in the product(s) and/or the program(s) described in this publication at any time without notice.

Any references in this information to non-IBM web sites are provided for convenience only and do not in any manner serve as an endorsement of those web sites. The materials at those web sites are not part of the materials for this IBM product and use of those web sites is at your own risk.

IBM may use or distribute any of the information you supply in any way it believes appropriate without incurring any obligation to you.

Any performance data contained herein was determined in a controlled environment. Therefore, the results obtained in other operating environments may vary significantly. Some measurements may have been made on development-level

systems and there is no guarantee that these measurements will be the same on generally available systems. Furthermore, some measurement may have been estimated through extrapolation. Actual results may vary. Users of this document should verify the applicable data for their specific environment.

Information concerning non-IBM products was obtained from the suppliers of those products, their published announcements or other publicly available sources. IBM has not tested those products and cannot confirm the accuracy of performance, compatibility or any other claims related to non-IBM products. Questions on the capabilities of non-IBM products should be addressed to the suppliers of those products.

If you are viewing this information in softcopy, the photographs and color illustrations may not appear.

---

## Trademarks

IBM, the IBM logo, and [ibm.com](http://www.ibm.com)<sup>®</sup> are trademarks or registered trademarks of International Business Machines Corporation in the United States, other countries, or both. A complete and current list of other IBM trademarks is available on the Web at <http://www.ibm.com/legal/copytrade.shtml>

Adobe, the Adobe logo, PostScript, and the PostScript logo are either registered trademarks or trademarks of Adobe Systems Incorporated in the United States, and/or other countries.

Java and all Java-based trademarks and logos are trademarks of Sun Microsystems, Inc. in the United States, other countries, or both.

Linux is a registered trademark of Linus Torvalds in the United States, other countries, or both.

Microsoft and Windows are trademarks of Microsoft Corporation in the United States, other countries, or both.

UNIX is a registered trademark of The Open Group in the United States and other countries.

Other product and service names might be trademarks of IBM or other companies.

---

## Electronic emission notices

The following statements apply to this product. The statements for other products intended for use with this product will appear in their accompanying manuals.

### Federal Communications Commission (FCC) Class A Statement

This equipment has been tested and complies with the limits for a Class A digital device, pursuant to Part 15 of the FCC Rules. These limits are designed to provide reasonable protection against harmful interference when the equipment is operated in a commercial environment. This equipment generates, uses, and can radiate radio frequency energy and, if not installed and used in accordance with the instruction manual, may cause harmful interference to radio communications. Operation of this equipment in a residential area is likely to cause harmful interference, in which case the user will be required to correct the interference at his own expense.

Properly shielded and grounded cables and connectors must be used in order to meet FCC emission limits. IBM is not responsible for any radio or television interference caused by using other than recommended cables and connectors or by unauthorized changes or modifications to this equipment. Unauthorized changes or modifications could void the user's authority to operate the equipment.

This device complies with Part 15 of the FCC Rules. Operation is subject to the following two conditions: (1) this device may not cause harmful interference, and (2) this device must accept any interference received, including interference that may cause undesired operation.

### Industry Canada Class A Emission Compliance Statement

This Class A digital apparatus complies with Canadian ICES-003.

### Avis de conformité à la réglementation d'Industrie Canada

Cet appareil numérique de la classe A est conforme à la norme NMB-003 du Canada.

### European Union EMC Directive Conformance Statement

This product is in conformity with the protection requirements of EU Council Directive 2004/108/EC on the approximation of the laws of the Member States relating to electromagnetic compatibility. IBM cannot accept responsibility for any failure to satisfy the protection requirements resulting from a non-recommended modification of the product, including the fitting of non-IBM option cards.

**Attention:** This is an EN55022 Class A product. In a domestic environment this product may cause radio interference in which case the user may be required to take adequate measures.

Responsible manufacturer:  
International Business Machines Corp.  
New Orchard Road  
Armonk, New York 10504  
Tel: 919-499-1900

European community contact:  
IBM Technical Regulations, Department M456

IBM-Allee 1, 71137 Ehningen, Germany  
Tel: +49 7032 15-2937  
E-mail: tjahn@de.ibm.com

## **Germany Electromagnetic Compatibility Directive**

### **Deutschsprachiger EU Hinweis:**

#### **Hinweis für Geräte der Klasse A EU-Richtlinie zur Elektromagnetischen Verträglichkeit**

Dieses Produkt entspricht den Schutzanforderungen der EU-Richtlinie 2004/108/EG zur Angleichung der Rechtsvorschriften über die elektromagnetische Verträglichkeit in den EU-Mitgliedsstaaten und hält die Grenzwerte der EN 55022 Klasse A ein.

Um dieses sicherzustellen, sind die Geräte wie in den Handbüchern beschrieben zu installieren und zu betreiben. Des Weiteren dürfen auch nur von der IBM empfohlene Kabel angeschlossen werden. IBM übernimmt keine Verantwortung für die Einhaltung der Schutzanforderungen, wenn das Produkt ohne Zustimmung der IBM verändert bzw. wenn Erweiterungskomponenten von Fremdherstellern ohne Empfehlung der IBM gesteckt/eingebaut werden.

EN 55022 Klasse A Geräte müssen mit folgendem Warnhinweis versehen werden: "Warnung: Dieses ist eine Einrichtung der Klasse A. Diese Einrichtung kann im Wohnbereich Funk-Störungen verursachen; in diesem Fall kann vom Betreiber verlangt werden, angemessene Maßnahmen zu ergreifen und dafür aufzukommen."

#### **Deutschland: Einhaltung des Gesetzes über die elektromagnetische Verträglichkeit von Geräten**

Dieses Produkt entspricht dem "Gesetz über die elektromagnetische Verträglichkeit von Geräten (EMVG)". Dies ist die Umsetzung der EU-Richtlinie 2004/108/EG in der Bundesrepublik Deutschland.

#### **Zulassungsbescheinigung laut dem Deutschen Gesetz über die elektromagnetische Verträglichkeit von Geräten (EMVG) (bzw. der EMC EG Richtlinie 2004/108/EG) für Geräte der Klasse A**

Dieses Gerät ist berechtigt, in Übereinstimmung mit dem Deutschen EMVG das EG-Konformitätszeichen - CE - zu führen.

Verantwortlich für die Einhaltung der EMV Vorschriften ist der Hersteller:  
International Business Machines Corp.  
New Orchard Road  
Armonk, New York 10504  
Tel: 919-499-1900

Der verantwortliche Ansprechpartner des Herstellers in der EU ist:  
IBM Deutschland  
Technical Regulations, Department M456  
IBM-Allee 1, 71137 Ehningen, Germany  
Tel: +49 7032 15-2937  
E-mail: tjahn@de.ibm.com

Generelle Informationen:

Das Gerät erfüllt die Schutzanforderungen nach EN 55024 und EN 55022 Klasse A.

## People's Republic of China Class A Electronic Emission Statement

中华人民共和国“A类”警告声明

声明

此为A级产品，在生活环境中，该产品可能会造成无线电干扰。在这种情况下，可能需要用户对其干扰采取切实可行的措施。

## Japan VCCI Council Class A Statement

この装置は、クラス A 情報技術装置です。この装置を家庭環境で使用する  
と電波妨害を引き起こすことがあります。この場合には使用者が適切な対策  
を講ずるよう要求されることがあります。 VCCI-A

**Translation:** This is a Class A product based on the standard of the VCCI Council. If this equipment is used in a domestic environment, radio interference may occur, in which case, the user may be required to take corrective actions.

## Japan Electronics and Information Technology Industries Association (JEITA) Statement

Japanese Electronics and Information Technology Industries Association (JEITA)  
Confirmed Harmonics Guideline (products greater than 20 A per phase).

高調波ガイドライン準用品

jeita2

## Korea Communications Commission (KCC) Statement

Please note that this equipment has obtained EMC registration for commercial use. In the event that it has been mistakenly sold or purchased, please exchange it for equipment certified for home use.

이 기기는 업무용으로 전자파 적합등록을 받은 기기  
이오니, 판매자 또는 사용자는 이점을 주의하시기  
바라며, 만약 잘못 구입하셨을 때에는 구입한 곳에  
서 비업무용으로 교환하시기 바랍니다.

## Russia Electromagnetic Interference (EMI) Class A Statement

ВНИМАНИЕ! Настоящее изделие относится к классу А.  
В жилых помещениях оно может создавать  
радиопомехи, для снижения которых необходимы  
дополнительные меры

rusemi

## Australia and New Zealand Class A Statement

**Attention:** This is a Class A product. In a domestic environment this product might cause radio interference in which case the user might be required to take adequate measures.





---

# Index

## Numerics

- 24-inch load plate
  - part number 12
- 384B
  - unpacking 16

## A

- about this document xxiii
  - how to send your comments iv
- ac power
  - removing xxi
- accessibility features for this
  - product xxiv
- attaching
  - Fibre cables 41
- attention notice
  - definition xviii
  - example xviii
- attention notices xviii

## B

- backing up the configuration 43
- backup
  - configuration file 43
- blade
  - weights 122
- blade filler panel
  - installing 67
  - removing 67
- blades
  - FC8-16 107
  - FC8-32 107
  - FC8-48 107
  - FC8-64 109
- blower assembly
  - installing 77, 78
  - LEDs 57
  - removing 77
  - status 57
- Brocade
  - documents xxiii

## C

- C36
  - cabinet 11
- C8P blade
  - installing 68, 70
  - removing 68, 69
  - verifying operation 71
- cabinet
  - C36 11
  - SAN384B installation 14
- cable management finger assembly
  - installing 62
  - removing 62

- cables
  - attaching 41
  - installing 41
  - managing 42
- caution notices xvi
  - definition xvi
  - examples xvii
- chassis door 61
  - installing 61
  - removing 61
- comments
  - sending iv
- component
  - status 45
- components
  - installing 61
  - monitoring 45
  - removing 61, 97
- configuration
  - backing up 43
  - download 100
  - parameters 36
- configuration file
  - backup 43
  - uploading 43
- configuring
  - SAN384B 33
- connecting to the fabric 41
- connection
  - serial 35
- connection, Ethernet 38
- control processor blade
  - components 53
  - LEDs 54
  - status 53, 54
- cords, power 126
- core switch blade
  - components 55
  - LEDs 56
  - status 55, 56
- CP8 blade
  - components 53
  - LEDs 54
  - status 53, 54
  - verifying 68
- CR4S-8 blade
  - installing 72, 74
  - LEDs 56
  - removing 72, 73
  - status 55, 56
- CR4S-S blade
  - components 55
- critical information
  - recording 69

## D

- danger notices xiii
- definitions xiii
- examples xiii

- data transmission
  - distance 125
  - range 125
  - speed 125
- date
  - setting 39
- diagnostics 131
- director of licensing, address 141
- disconnecting
  - fabric 96
  - network 96
- documents
  - Brocade xxiii
  - product xxiii
- Domain ID
  - setting 39
- door, chassis 61
- download
  - configuration 100

## E

- edition notice ii
- electronic emission notices 144
- enabling software licenses 41
- environmental notices xiii, xxii
- environmental requirements 123
- ESD 107, 109, 111
- ESD strap 109, 111, 112, 114, 115
- Ethernet connection 38
  - establishing 38
- exhaust kit
  - installing 20
  - parts 18
- extension blade
  - installing 115
- external machine checks xxii

## F

- fabric
  - connecting to 41
  - reconnecting 102
- fabric configuration
  - verifying 102
- fabric, connecting to 41
- facility requirements 123
- FC10-6 10 Gb blade
  - installing 112
- FC10-6 blade 48
  - components 48
  - installing 66
  - LEDs 51
  - removing 64
  - status 45, 51
- FC3816
  - installing 16-port blade 107
- FC3832
  - installing 32-port blade 107

- FC3848
  - installing 48-port blade 107
- FC3850
  - installing routing blade 111
- FC3864
  - installing 64-port blade 109
- FC3870
  - FC10-6 10 Gb blade 112
  - inter-chassis cable kit 116
- FC3880
  - FCOE10-24 blade 114
- FC3890
  - FX8-24 blade 115
- FC8-16 blade 45
  - components 46
  - installing 66
  - LEDs 51
  - removing 64
  - status 45, 51
- FC8-16 port blades 107
- FC8-32 blade 46
  - components 46
  - installing 66
  - LEDs 51
  - removing 64
  - status 45, 51
- FC8-32 port blades 107
- FC8-348 port blades 107
- FC8-48 blade 47
  - components 47
  - installing 66
  - LEDs 51
  - removing 64
  - status 45, 51
- FC8-64 blade 47
  - components 47
  - installing 66
  - LEDs 51
  - removing 64
  - status 45, 51
- FC8-64 port blades 109
- FCIP extension blade
  - FX8-24 45
- FCOE10-24 blade 49, 129
  - components 49, 139
  - installing 66, 114
  - removing 64
  - status 45
- features
  - high availability 7
  - installing 107
- features and components 1
- features, software 8
- Fibre cables
  - attaching 41
- Fibre Channel over Ethernet
  - installing 114
- Fibre Channel over Ethernet blade
  - FCOE10-24 45
- FR4-18i blade 127
  - installing 66
  - removing 64
  - status 45
- FR4-18i routing blade 49
  - components 49
  - installing 111
  - LEDs 51
- FR4-18i routing blade (*continued*)
  - port specifications
    - Fibre Channel 125
    - GbE 125
  - status 51
- FRU
  - weights 122
- FX8-24 blade 127
  - installing 66, 115
  - removing 64
  - status 45
- FX8-24 extension blade
  - components 49, 139
  - illustration 49

## G

getting help iii

## H

help iii  
 high availability 7  
   features 7  
 how to send your comments iv

## I

IBM
 

- notices 141
- trademarks 143

inspections, safety xxi

installation
 

- planning 11
- preparation 11

installation guidelines 13

installing 84
 

- blade filler panel 67
- blower assembly 77, 78
- cable management finger assembly 62
- chassis components 99
- chassis door 61
- components 61
- CP8 blade 68, 70
- CR4S-8 blade 72, 74
- exhaust kit 20
- FC10-6 66
- FC10-6 10 Gb blade 112
- FC3816 107
- FC3832 107
- FC3848 107
- FC3850 111
- FC3870 112
- FC3880 114
- FC3890 115
- FC8-16 blade 66
- FC8-32 blade 66
- FC8-48 blade 66
- FC8-64 blade 66
- FCOE10-24 blade 66, 114
- features 107
- FR4-18i 66
- FX8-24 blade 66, 115
- inter-chassis cable kit 116
- inter-chassis link (ICL) cable 85

installing (*continued*)
 

- mSFP 81
- mSFPs 41
- port blade 64, 107, 109
- port-side exhaust kit 18
- power supply 75, 76
- replacement chassis 99
- routing blade 111
- SAN384B 11, 14, 24
  - time required 14
- SFP 81
- SFP+ 81
- SFP+s 41
- SFPs 41
- WWN bezel and card 78
- XFP 81
- XFPs 41

installing components 61

intellectual property 141

inter-chassis cable kit
 

- installing 116

inter-chassis link (ICL)
 

- status 84

inter-chassis link (ICL) cable
 

- installing 84, 85
- removing 84, 85

internal machine checks xxi

introduction 1

IP addresses
 

- setting 36

## L

labels, safety xvii

LEDs
 

- blower assembly 57
- control processor blade 54
- core switch blade 56
- CP8 blade 54
- CR4S-S blade 56
- port blades 51
- power supply 56
- routing blades 51
- WWN card 59

license, for patents 141

licenses, software 41

lift tool 11
 

- 24-inch load plate 25
  - extension 25
- assembly 15
- ordering procedure 11
- part number 12
- positioning 24
- United States ordering procedure 12
- world trade ordering procedure 12

local time
 

- synchronizing 40

login
 

- serial console port 36

## M

machine checks
 

- external xxi
- internal xxi

modem 33

- mSFP 41
  - installing 81
  - removing 81
- mSFP transceivers 41
- mSFPs
  - compatible 41
  - installing 41

## N

- network
  - reconnecting 102
- network manageability 9
- Network Management System 9
- notice, edition ii
- notices
  - attention xviii
  - caution xvi
  - danger xiii
  - environmental xiii, xxii
  - general 141
  - IBM 141
  - patents 141
  - safety xiii
  - safety and environmental xiii
  - types xiii
- notices ,danger xiii
- notices and labels
  - safety xiii
- notices, attention xviii
- notices, caution xvi
- NTP server 40

## O

- ordering the lift tool and the 24-inch load plate 11
- organizing
  - cables 42
- overview 1

## P

- parameters
  - configuration 36
- part number
  - 24-inch load plate 12
  - lift tool 12
- parts
  - power cords 126
- password 36
  - changing 36
  - saving 43
- patents 141
- PID mode, verifying 41
- port blade
  - FC10-6 45
  - FC8-16 45
  - FC8-32 45
  - FC8-48 45
  - FC8-64 45
  - FCOE10-24 45
  - FX8-24 45
  - installing 64, 66, 107, 109, 112
  - monitoring 45
  - removing 64

- port blade (*continued*)
  - status 45
- port blades
  - FC8-16 107
  - FC8-32 107
  - FC8-48 107
- port blades, FC8-64 109
- port groups
  - trunking 42
- port numbering 28, 29
- port specifications
  - FR4-18i routing blade 125
- port-side exhaust kit
  - installing 18
- power
  - cords 126
  - off 44
  - SAN384B 35
- power specifications 124
- power supply
  - components 56
  - installing 75, 76
  - LEDs 56
  - removing 75
  - status 56
- product
  - components 2
  - features 2
  - features and components 1
  - hardware components 2
  - introduction 1
  - overview 1
  - reliability 7
  - serviceability 7
  - software features 8
  - specifications 119
- product documents xxiii
- product specifications 119
- providing power to the SAN384B 35

## R

- rack
  - safety xix
- rack relocation safety xx
- rack safety xix
- read this first iii
- reconnecting
  - fabric 102
  - network 102
  - system 102
- recording
  - critical information 69
- reliability 7
- removing
  - ac power xxi
  - blade filler panel 67
  - blower assembly 77
  - cable management finger
    - assembly 62
  - chassis door 61
  - components 61, 97
  - CP8 blade 68, 69
  - CR4S-8 blade 72, 73
  - FC10-6 64
  - FC8-16 blade 64
  - FC8-32 blade 64

- removing (*continued*)
  - FC8-48 blade 64
  - FC8-64 64
  - FCOE10-24 blade 64
  - FR4-18i 64
  - FX8-24 blade 64
  - inter-chassis link (ICL) cable 84, 85
  - mSFP 81
  - port blade 64
  - power supply 75
  - SAN384B 98
  - SFP 81
  - SFP+ 81
  - WWN bezel 79
  - WWN bezel and card 78
  - WWN card 79
  - XFP 81
- removing components 61
- requirements
  - environmental 123
  - facility 123
- routing blade
  - FR4-18i 45
  - installing 66, 111
  - monitoring 45
  - status 45

## S

- safety xiii
  - inspections xxi
  - labels xiii, xvii
    - examples xvii
  - notices xiii
  - rack xix
  - rack installation xix
  - rack relocation xx
- safety inspection
  - external machine checks xxi
  - internal machine checks xxi
- safety inspections xxi
- safety labels xvii
- safety notices xiii
- safety, rack xix
- safety, rack installation xix
- safety, rack relocation xx
- SAN Switch Cabinet C36 11
- SAN384B
  - configuring 33
  - installation guidelines 13
  - installing 11, 24
  - IP addresses 36
  - library xxiii
  - physical dimensions 122
  - providing power 35
  - removing 98
  - size 122
  - starting 33
  - switch name 38
  - weight 122
- security 8
  - security features 8
  - security features table 8
  - serial connection 35
  - serial connection, establishing 35
  - serial console port
    - login 36

- serviceability 7
- setting
  - date 39
  - Domain ID 39
  - IP addresses 36
  - time 39
  - timezone 39
- SFP 41
  - copper 1 GbE 126
  - installing 81
  - removing 81
- SFP transceivers 41
- SFP+ 41
  - installing 81
  - removing 81
- SFP+ transceivers 41
- SFP+s
  - compatible 41
  - installing 41
- SFPs
  - compatible 41
  - installing 41
- slot numbers 30
- SNMP 9
- software features 8
- software licenses
  - enabling 41
- specifications 119
  - power 124
- specifications, product 119
- standard features
  - software
    - Advanced Zoning 8
    - Fabric Watch 8
    - ISL Trunking 8
    - Performance Monitoring 8
    - Web Tools 8
- standard software features 8
- starting
  - SAN384B 33
- status
  - blower assembly 57
  - control processor blade 54
  - core switch blade 55, 56
  - CP8 blade 54
  - CR4S-8 blade 55
  - CR4S-5 blade 56
  - FC10-6 blade 51
  - FC8-16 blade 51
  - FC8-32 blade 51
  - FC8-48 blade 51
  - FC8-64 blade 51
  - FR4-18i routing blade 51
  - inter-chassis link (ICL) 84
  - port blades 51
  - power supply 56
  - routing blades 51
  - WWN card 59
- strap, ESD 109, 111, 112, 114, 115
- switch name
  - changing 38
- synchronizing
  - time zone 40
- system architecture 119
- system component
  - status 45

- system components
  - monitoring 45

## T

- time
  - setting 39
- time required
  - installing a SAN384B 14
- time server
  - NTP 40
- time zone
  - setting 39
- torque requirements 20
- trademarks 143
- transceivers
  - mSFP 41
  - SFP 41
  - SFP+ 41
  - XFP 41
- transceivers, mSFP 41
- transceivers, SFP 41
- transceivers, SFP+ 41
- transceivers, XFP 41
- transmission range
  - multi-mode media 125
  - OM1 125
  - OM2 125
  - OM3 125
  - SFP types 125
  - single mode media 125
  - transceiver 125
- trunking
  - port groups 42

## U

- unpacking
  - SAN384B 16

## V

- verifying
  - CP8 blade 68
  - fabric configuration 102
  - system operation 100
- verifying operation
  - CP8 blade 71
- verifying PID mode 41

## W

- Web sites iii
- weights
  - blade 122
  - FRU 122
- who should read this document xxiii
- WWN
  - bezel 59
  - card
    - status 59
- WWN bezel
  - installing 78
  - removing 78, 79

- WWN card
  - failure 59
  - removing 79

## X

- XFP 41
  - installing 81
  - removing 81
- XFP transceivers 41
- XFPs
  - compatible 41
  - installing 41





Part Number: 45W8160

Printed in USA

GC52-1333-02



(1P) P/N: 45W8160



Spine information:



IBM System Storage SAN384B

**SAN384B Installation, Service, and User Guide**

Service information:  
2499-192

## Free Manuals Download Website

<http://myh66.com>

<http://usermanuals.us>

<http://www.somanuals.com>

<http://www.4manuals.cc>

<http://www.manual-lib.com>

<http://www.404manual.com>

<http://www.luxmanual.com>

<http://aubethermostatmanual.com>

Golf course search by state

<http://golfingnear.com>

Email search by domain

<http://emailbydomain.com>

Auto manuals search

<http://auto.somanuals.com>

TV manuals search

<http://tv.somanuals.com>