

**IB Switch Module for IBM eServer BladeCenter
User Guide**

Release 2.2.0 Update 2

Part Number: 10-00092-02-A0 IBM Part number: 24R9718

Copyright © 2004 Topspin Communications, Inc. All rights reserved.

The Topspin Switched Computing System, Topspin Host Channel Adapter, Topspin Element Manager, and collateral software programs and documentation are subject to and made available only pursuant to the license agreement signed by you and Topspin, Communications, Inc. (or if no signed license agreement exists, the license agreement included with your original media) and may only be used in accordance with the terms of that agreement. Making copies, modifications, or compilation works of the software except as specifically allowed in that agreement is prohibited by law and constitutes a punishable violation of the law. This documentation may not be copied, modified or reduced to any electronic or machine-readable form without Topspin Communication, Inc.'s prior written consent.

As defined in FAR section 2.101, DFAR section 252.227-7014(a)(1) and DFAR section 252.227-7014(a)(5) or otherwise, the collateral software programs provided to you are “commercial items,” “commercial computer software” and/or “commercial computer software documentation.” Consistent with DFAR section 227.7202, FAR section 12.212 and other sections, any use, modification, reproduction, release, performance, display, disclosure or distribution thereof by or for the U.S. Government shall be governed solely by the terms of the license agreement and shall be prohibited except to the extent expressly permitted by the terms of that agreement. Any technical data provided that is not covered by the above provisions shall be deemed “technical data-commercial items” pursuant to DFAR section 227.7015(a) or equivalent. Any use, modification, reproduction, release, performance, display or disclosure of such technical data shall be governed by the terms of DFAR section 227.7015(b) or equivalent.

This documentation may include technical inaccuracies or typographical errors and is subject to correction and other revision without notice. TOPSPIN PROVIDES THIS DOCUMENTATION “AS IS” AND WITHOUT ANY WARRANTIES OF ANY KIND, EITHER EXPRESS OR IMPLIED, INCLUDING BUT NOT LIMITED TO THE IMPLIED WARRANTIES OF MERCHANTABILITY OR FITNESS FOR A PARTICULAR PURPOSE. Some states or jurisdictions do not allow disclaimer of express or implied warranties in certain transactions; therefore, this statement may not apply to you.

©Copyright 2004, Topspin Communications, Inc. All rights reserved. Topspin is a registered trademark and the Topspin logo, TopspinOS, and Topspin Switched Computing System are trademarks of Topspin Communications, Inc. Other company, product, or service names are the property of their respective owners.

Document Version: 2.2.0 Update 2

Part Number: 10-00092-02-A0

May, 2005

Printed in the United States of America.

Important Notice

License information for IB Switch Module for IBM eServer BladeCenter

IMPORTANT NOTICE: This hardware product was manufactured for IBM by Topspin Communications and contains software and/or firmware provided to you by Topspin Communications under provided license agreements. By using the enclosed hardware and/or software products, you are agreeing to the terms of these license agreements, and agree that the terms of such agreement are extended to you solely by Topspin Communications.

First Edition (November 2004)

IBM®, Eserver, BladeCenter, and the e-business logo are trademarks of the IBM Corporation in the United States, other countries, or both.

© Copyright International Business Machines Corporation 2004. All rights reserved.

US Government Users Restricted Rights – Use, duplication or disclosure restricted by GSA ADP Schedule Contract with IBM Corp.

Statement of Limited Warranty Preamble

Thank you for your purchase. IBM provides hardware warranty service for this product equivalent to that described in the IBM Statement of Limited Warranty ("SOLW"), a copy of which is included ("[IBM Statement of Limited Warranty Z125-4753-08 04/2004](#)" on page xv), notwithstanding the section entitled, "What this Warranty Does not Cover" of the SOLW. All references to "Machine" in the SOLW apply to this product (except for its firmware or accompanying software) for purposes of the warranty. References to "IBM's Official Published Specifications" mean the specifications for the product designated by IBM. Any firmware or software included in or which accompanies this product is subject to the terms and conditions of the manufacturer's end user license agreement."

Contents

Important Notice iii

Statement of Limited Warranty Preamble iii

Regulatory Notices ix

FCC Statement ix

Safety Information ix

 Electrical Cautions ix

 General Cautions x

IBM Support Contact Information x

 Before You Call xi

Topspin Contact Information xii

IBM Statement of Limited Warranty Z125-4753-08 04/2004 xv

Part 1 - General Terms xv

 What this Warranty Covers xv

 What this Warranty Does not Cover xvi

 How to Obtain Warranty Service xvi

 What IBM Will Do to Correct Problems xvi

 Exchange of a Machine or Part xvii

 Your Additional Responsibilities xvii

 Limitation of Liability xvii

 Governing Law xviii

 Jurisdiction xviii

Part 2 - Country-unique Terms xviii

 AMERICAS xviii

 NORTH AMERICA xix

ASIA PACIFIC	xx
EUROPE, MIDDLE EAST, AFRICA (EMEA).....	xxii
EUROPEAN UNION (EU)	xxiv
CONSUMERS	xxiv
THE FOLLOWING TERMS APPLY TO THE COUNTRY SPECIFIED:.....	xxv
Part 3 - Warranty Information.....	xxviii
Warranty Period.....	xxviii
Types of Warranty Service	xxix
EU Country Telephone List.....	xxx

Notices xxxi

Edition notice	xxxii
Trademarks	xxxii
Important notes	xxxiii
Product recycling and disposal	xxxiii
Battery return program.....	xxxiii
Electronic emission notices	xxxiv
Federal Communications Commission (FCC) statement	xxxiv
Industry Canada Class A emission compliance statement.....	xxxiv
Australia and New Zealand Class A statement.....	xxxv
United Kingdom telecommunications safety requirement	xxxv
European Union EMC Directive conformance statement	xxxv
Taiwanese Class A warning statement	xxxv
Chinese Class A warning statement.....	xxxv
Japanese Voluntary Control Council for Interference (VCCI) statement.....	xxxvi

WEEE Notice xxxvii

Safety xxxix

1: About the Server Switch Module..... 1

Introduction.....	1
Server Switch Module and HCA Expansion Cards.....	2
Topologies	2
Single-Switch Topology	2
Dual-Switch Topology.....	2
Management.....	3
LEDs	3
Server Switch Module Status LEDs	4
Port Status LEDs.....	4
External InfiniBand Ports	4

2: Getting Started 5

Install the Server Switch Module.....	5
Configure the Server Switch Module	5
Change the Default Password.....	6
Configure the System Clock.....	7
Connect Beyond BladeCenter.....	8
Connecting InfiniBand Cables.....	10

3: Specifications and Compliance 13

Safety Certifications	13
EMC/EMI Certifications.....	13
Electrical Requirements.....	14
Environmental Requirements	14

Regulatory Notices

FCC Statement

This equipment has been tested and found to comply with the limits for a Class A digital device, pursuant to Part 15 of the FCC Rules. These limits are designed to provide reasonable protection against harmful interference when the equipment is operated in a commercial environment. This equipment generates, uses, and can radiate radio frequency energy and, if not installed and used in accordance with the instruction manual, may cause harmful interference to radio communications. Operation of this equipment in a residential area is likely to cause harmful interference in which case the user will be required to correct the interference at his own expense.

Safety Information

- [“Electrical Cautions” on page ix](#)
- [“General Cautions” on page x](#)

Electrical Cautions



CAUTION: Always ground yourself before touching any internal IB Switch Module component to avoid damage from electrostatic discharge (ESD).



CAUTION: The IB Switch Module contains lithium batteries. Do not attempt to replace or discard these batteries. The batteries may only be serviced by Topspin service personnel.



CAUTION: Observe and follow service markings. Do not service the IB Switch Module, except as explained in the Topspin documentation supplied with your IB Switch Module. Opening the chassis or removing the enclosure cover exposes you to electrical shock and may damage IB Switch Module components.

If one or more of the following situations occurs, do not install the IB Switch Module in a chassis and contact your Topspin support representative:

- The IB Switch Module has been exposed to water.
- The IB Switch Module has been dropped or damaged in any way.
- The IB Switch Module does not operate correctly after following the installation instructions.



CAUTION: You must ensure the operating environment meets the IB Switch Module's electrical and environmental operating requirements.



CAUTION: Use the Topspin IB Switch Module only with an approved chassis.



CAUTION: Never place your hand inside an empty card or module bay. You should never have cause to place a hand anywhere inside the chassis. Unused card and module bays should always have a cover over the bay to ensure proper safety, ventilation, and cooling.

General Cautions



CAUTION: Opening and/or modifying the expansion modules may void your warranty. Refer to your warranty to determine access restrictions.

In general

- Do not spill food or liquids on your IB Switch Module components.
- Place cables appropriately so that they do not obstruct any egress within the data center and they do not block any ventilation inlets or outlets.

IBM Support Contact Information

For technical support, refer to the following Web site:

<http://www.ibm.com/support>

To contact technical support, send email to support@ibm.com or refer to one of the telephone numbers below.

To obtain warranty service contact IBM or your IBM reseller. In Canada or the United States, call 1-800-IBM-SERV (426-7378). In the EU countries, see the telephone numbers in [Table iii-1](#).

Table iii-1: EU Country Telephone List

Austria -- 43-1-24592-5901	Italy -- 39-02-482-9202
Belgium -- 02-718-4339	Luxembourg -- 352-360385-1
Denmark -- 4520-8200	Netherlands -- 020-514-5770
Finland -- 358-9-4591	Portugal -- 351-21-7915-147
France -- 0238-557-450	Spain -- 34-91-662-4916
Germany -- 07032-15-4920	Sweden -- 46-8-477-4420
Greece -- 30-210-688-1220	United Kingdom -- 01475-555-055
Ireland -- 353-1-815-4000	

Phone numbers are subject to change without notice.



NOTE: IBM and Topspin are both available for more information. For support, contact IBM before Topspin.

Before You Call

- (Linux only; leave blank for Windows) Enter the **rpm -qa | grep topspin** command at your host to view your RPMs, then provide this output.
- Provide all relevant messages from system and console logs.
- Provide the output from the **show running-status all** command.
- Provide the firmware version of the host. For a Linux host, refer to [step a](#); for a Windows host, refer to [step b](#).
 - a. For Linux hosts, enter the **/usr/local/topspin/sbin/tvflash -i** command to view the firmware version. In the example that follows, the image is **v3.01.0000 build 2.0.0.491**.

Example

```
# /usr/local/topspin/sbin/tvflash -i
HCA #0: Found MT23108, Cougar, revision A1 (firmware autoupgrade)
  Primary image is v3.01.0000 build 2.0.0.491, with label 'HCA.Cougar.A1.Boot'
  Secondary image is valid, unknown source
[root@enclus2 root]#
```

- b. For Windows hosts, perform the following steps:
 1. Log in to your Windows host.
 2. Click **Start > Programs > Topspin IB SDK > Utilities**. The **Utilities** window opens and displays a list of utilities.
 3. Enter **tvflash -i** command to display the firmware version.

- (Linux only) Run the **dmesg** command on your Linux host and provide the output.

Example

```
# dmesg
 0  0  0  1  1  71
0a 000 00 1 0 0 0 0 0 0 00
0b 000 00 1 0 0 0 0 0 0 00
0c 00F 0F 0 0 0 0 0 1 1 79
0d 00F 0F 0 0 0 0 0 1 1 81
0e 00F 0F 0 0 0 0 0 1 1 89
0f 00F 0F 0 0 0 0 0 1 1 91
10 00F 0F 1 1 0 1 0 1 1 99
11 000 00 1 0 0 0 0 0 0 00
12 00F 0F 1 1 0 1 0 1 1 A1
13 00F 0F 1 1 0 1 0 1 1 A9
14 000 00 1 0 0 0 0 0 0 00
15 000 00 1 0 0 0 0 0 0 00
16 000 00 1 0 0 0 0 0 0 00
17 000 00 1 0 0 0 0 0 0 00

//content truncated

scsi : 2 hosts left.
scsi2 : srp
initializing plug timer for queue f69fcel8
Starting timer : 1 1
blk: queue f69fcel8, I/O limit 4095Mb (mask 0xffffffff)
  Vendor: SEAGATE    Model: ST336607FC    Rev: 0004
  Type:   Direct-Access    ANSI SCSI revision: 03
initializing plug timer for queue f69fd018
Starting timer : 1 1
blk: queue f69fd018, I/O limit 4095Mb (mask 0xffffffff)
Attached scsi disk sdb at scsi2, channel 0, id 6, lun 0
SCSI device sdb: 71687372 512-byte hdwr sectors (36704 MB)
  sdb: sdb1 sdb2
srp_host:
target_bindings=22000004cfe7a949.0:22000004cfe7aa7a.1:22000004cfe7aac7.2:2200000
4cfe7aadd.3:22000004cfe7ab01.4:22000004cfe7ab2f.5:22000004cfe7ab35.6:22000004cfe
7ab6c.7:22000004cfe7ab7b.8:22000004cfe7ab89.9:22000004cfe7ab8d.a:22000004cfe7ac1
f.b:22000004cfe7ac30.c:22000004cfe7ac69.d
divert: allocating divert_blk for ib0
divert: allocating divert_blk for ib1
nfs: server 10.5 not responding, still trying
nfs: server 10.5 OK
```

Topspin Contact Information

Topspin contact information appears in [Table iii-2](#)

Table iii-2: Contact Information

Address	Topspin Communications, Inc. 515 Ellis St. Mountain View, CA 94043
---------	--

Table iii-2: Contact Information (Continued)

Telephone, Corporate Headquarters	(866) TOPSPIN or (650) 316-3300
Fax	(650) 316-3269
Telephone, Technical Support	(800) 499-1473
Email, Technical Support	support@ibm.com (contact IBM first) support@topspin.com
Web site, Support	http://www.ibm.com/support (contact IBM first) http://support.topspin.com

IBM Statement of Limited Warranty

Z125-4753-08 04/2004

Part 1 - General Terms

Part 1 - General Terms

This Statement of Limited Warranty includes Part 1 - General Terms, Part 2 - Country-unique Terms, and Part 3 - Warranty Information. The terms of Part 2 replace or modify those of Part 1. The warranties provided by IBM in this Statement of Limited Warranty apply only to Machines you purchase for your use, and not for resale. The term "Machine" means an IBM machine, its features, conversions, upgrades, elements, or accessories, or any combination of them. The term "Machine" does not include any software programs, whether pre-loaded with the Machine, installed subsequently or otherwise. Nothing in this Statement of Limited Warranty affects any statutory rights of consumers that cannot be waived or limited by contract.

What this Warranty Covers

IBM warrants that each Machine 1) is free from defects in materials and workmanship and 2) conforms to IBM's Official Published Specifications ("Specifications") which are available on request. The warranty period for the Machine starts on the original Date of Installation and is specified in Part 3 - Warranty Information. The date on your invoice or sales receipt is the Date of Installation unless IBM or your reseller informs you otherwise. Many features, conversions, or upgrades involve the removal of parts and their return to IBM. A part that replaces a removed part will assume the warranty service status of the removed part. Unless IBM specifies otherwise, these warranties apply only in the country or region in which you purchased the Machine.

THESE WARRANTIES ARE YOUR EXCLUSIVE WARRANTIES AND REPLACE ALL OTHER WARRANTIES OR CONDITIONS, EXPRESS OR IMPLIED, INCLUDING, BUT NOT LIMITED TO, THE IMPLIED WARRANTIES OR CONDITIONS OF MERCHANTABILITY AND FITNESS FOR A PARTICULAR PURPOSE. SOME STATES OR

JURISDICTIONS DO NOT ALLOW THE EXCLUSION OF EXPRESS OR IMPLIED WARRANTIES, SO THE ABOVE EXCLUSION MAY NOT APPLY TO YOU. IN THAT EVENT, SUCH WARRANTIES ARE LIMITED IN DURATION TO THE WARRANTY PERIOD. NO WARRANTIES APPLY AFTER THAT PERIOD. SOME STATES OR JURISDICTIONS DO NOT ALLOW LIMITATIONS ON HOW LONG AN IMPLIED WARRANTY LASTS, SO THE ABOVE LIMITATION MAY NOT APPLY TO YOU.

What this Warranty Does not Cover

This warranty does not cover the following:

- any software programs, whether pre-loaded or shipped with the Machine, or installed subsequently;
- failure resulting from misuse (including but not limited to use of any Machine capacity or capability, other than that authorized by IBM in writing), accident, modification, unsuitable physical or operating environment, or improper maintenance by you;
- failure caused by a product for which IBM is not responsible; and
- any non-IBM products, including those that IBM may procure and provide with or integrate into an IBM Machine at your request.

The warranty is voided by removal or alteration of identification labels on the Machine or its parts.

IBM does not warrant uninterrupted or error-free operation of a Machine.

Any technical or other support provided for a Machine under warranty, such as assistance with “how-to” questions and those regarding Machine set-up and installation, is provided **WITHOUT WARRANTIES OF ANY KIND**.

How to Obtain Warranty Service

If the Machine does not function as warranted during the warranty period, contact IBM or your reseller to obtain warranty service. If you do not register the Machine with IBM, you may be required to present proof of purchase as evidence of your entitlement to warranty service.

What IBM Will Do to Correct Problems

When you contact IBM for service, you must follow the problem determination and resolution procedures that IBM specifies. An initial diagnosis of your problem can be made either by a technician over the telephone or electronically by access to an IBM website.

The type of warranty service applicable to your Machine is specified in Part 3 - Warranty Information.

You are responsible for downloading and installing designated Machine Code (microcode, basic input/output system code (called “BIOS”), utility programs, device drivers, and diagnostics delivered with an IBM Machine) and other software updates from an IBM Internet Web site or from other electronic media, and following the instructions that IBM provides.

If your problem can be resolved with a Customer Replaceable Unit (“CRU”) (e.g., keyboard, mouse, speaker, memory, hard disk drive), IBM will ship the CRU to you for you to install.

If the Machine does not function as warranted during the warranty period and your problem cannot be resolved over the telephone or electronically, through your application of Machine Code or software updates, or with a CRU, IBM or your reseller, if approved by IBM to provide warranty service, will either, at its discretion, 1) repair it to make it function as warranted, or 2) replace it with one that is at least functionally equivalent. If IBM is unable to do either, you may return the Machine to your place of purchase and your money will be refunded.

IBM or your reseller will also manage and install selected engineering changes that apply to the Machine.

Exchange of a Machine or Part

When the warranty service involves the exchange of a Machine or part, the item IBM or your reseller replaces becomes its property and the replacement becomes yours. You represent that all removed items are genuine and unaltered. The replacement may not be new, but will be in good working order and at least functionally equivalent to the item replaced. The replacement assumes the warranty service status of the replaced item.

Your Additional Responsibilities

Before IBM or your reseller exchanges a Machine or part, you agree to remove all features, parts, options, alterations, and attachments not under warranty service.

You also agree to:

1. ensure that the Machine is free of any legal obligations or restrictions that prevent its exchange;
2. obtain authorization from the owner to have IBM or your reseller service a Machine that you do not own; and
3. where applicable, before service is provided:
 - a. follow the service request procedures that IBM or your reseller provides;
 - b. backup or secure all programs, data, and funds contained in the Machine;
 - c. provide IBM or your reseller with sufficient, free, and safe access to your facilities to permit IBM to fulfill its obligations; and
 - d. inform IBM or your reseller of changes in the Machine's location.
4. (a) ensure all information about identified or identifiable individuals (Personal Data) is deleted from the Machine (to the extent technically possible), (b) allow IBM, your reseller or an IBM supplier to process on your behalf any remaining Personal Data as IBM or your reseller considers necessary to fulfill its obligations under this Statement of Limited Warranty (which may include shipping the Machine for such processing to other IBM service locations around the world), and (c) ensure that such processing complies with any laws applicable to such Personal Data.

Limitation of Liability

IBM is responsible for loss of, or damage to, your Machine only while it is 1) in IBM's possession or 2) in transit in those cases where IBM is responsible for the transportation charges.

Neither IBM nor your reseller are responsible for any of your confidential, proprietary or personal information contained in a Machine which you return to IBM for any reason. You should remove all such information from the Machine prior to its return.

Circumstances may arise where, because of a default on IBM's part or other liability, you are entitled to recover damages from IBM. In each such instance, regardless of the basis on which you are entitled to claim damages from IBM (including fundamental breach, negligence, misrepresentation, or other contract or tort claim), except for any liability that cannot be waived or limited by applicable laws, IBM is liable for no more than

1. damages for bodily injury (including death) and damage to real property and tangible personal property; and
2. the amount of any other actual direct damages, up to the charges (if recurring, 12 months' charges apply) for the Machine that is subject of the claim. For purposes of this item, the term "Machine" includes Machine Code and Licensed Internal Code ("LIC").

This limit also applies to IBM's suppliers and your reseller. It is the maximum for which IBM, its suppliers, and your reseller are collectively responsible.

UNDER NO CIRCUMSTANCES IS IBM, ITS SUPPLIERS OR RESELLERS LIABLE FOR ANY OF THE FOLLOWING EVEN IF INFORMED OF THEIR POSSIBILITY: 1) THIRD

PARTY CLAIMS AGAINST YOU FOR DAMAGES (OTHER THAN THOSE UNDER THE FIRST ITEM LISTED ABOVE); 2) LOSS OF, OR DAMAGE TO, DATA; 3) SPECIAL, INCIDENTAL, OR INDIRECT DAMAGES OR FOR ANY ECONOMIC CONSEQUENTIAL DAMAGES; OR 4) LOST PROFITS, BUSINESS REVENUE, GOODWILL OR ANTICIPATED SAVINGS. SOME STATES OR JURISDICTIONS DO NOT ALLOW THE EXCLUSION OR LIMITATION OF INCIDENTAL OR CONSEQUENTIAL DAMAGES, SO THE ABOVE LIMITATION OR EXCLUSION MAY NOT APPLY TO YOU. SOME STATES OR JURISDICTIONS DO NOT ALLOW LIMITATIONS ON HOW LONG AN IMPLIED WARRANTY LASTS, SO THE ABOVE LIMITATION MAY NOT APPLY TO YOU.

Governing Law

Both you and IBM consent to the application of the laws of the country in which you acquired the Machine to govern, interpret, and enforce all of your and IBM's rights, duties, and obligations arising from, or relating in any manner to, the subject matter of this Statement of Limited Warranty, without regard to conflict of law principles.

THESE WARRANTIES GIVE YOU SPECIFIC LEGAL RIGHTS AND YOU MAY ALSO HAVE OTHER RIGHTS WHICH VARY FROM STATE TO STATE OR JURISDICTION TO JURISDICTION.

Jurisdiction

All of our rights, duties, and obligations are subject to the courts of the country in which you acquired the Machine.

Part 2 - Country-unique Terms

AMERICAS

ARGENTINA

Jurisdiction: *The following is added after the first sentence:*

Any litigation arising from this Statement of Limited Warranty will be settled exclusively by the Ordinary Commercial Court of the city of Buenos Aires.

BOLIVIA

Jurisdiction: *The following is added after the first sentence:*

Any litigation arising from this Statement of Limited Warranty will be settled exclusively by the courts of the city of La Paz.

BRAZIL

Jurisdiction: *The following is added after the first sentence:*

Any litigation arising from this Statement of Limited Warranty will be settled exclusively by the court of Rio de Janeiro, RJ.

CHILE

Jurisdiction: *The following is added after the first sentence:*

Any litigation arising from this Statement of Limited Warranty will be settled exclusively by the Civil Courts of Justice of Santiago.

COLOMBIA

Jurisdiction: *The following is added after the first sentence:*

Any litigation arising from this Statement of Limited Warranty will be settled exclusively by the Judges of the Republic of Colombia.

EQUADOR

Jurisdiction: *The following is added after the first sentence:*

Any litigation arising from this Statement of Limited Warranty will be settled exclusively by the Judges of Quito.

MEXICO

Jurisdiction: *The following is added after the first sentence:*

Any litigation arising from this Statement of Limited Warranty will be settled exclusively by the Federal Courts of Mexico City, Federal District.

PARAGUAY

Jurisdiction: *The following is added after the first sentence:*

Any litigation arising from this Statement of Limited Warranty will be settled exclusively by the courts of the city of Asuncion.

PERU

Limitation of Liability: The following is added at the end of this section:

In accordance with Article 1328 of the Peruvian Civil Code the limitations and exclusions specified in this section will not apply to damages caused by IBM's willful misconduct ("dolo") or gross negligence ("culpa inexcusable").

URUGUAY

Jurisdiction: *The following is added after the first sentence:*

Any litigation arising from this Statement of Limited Warranty will be settled exclusively by the City of Montevideo Court's Jurisdiction.

VENEZUELA

Jurisdiction: *The following is added after the first sentence:*

Any litigation arising from this Statement of Limited Warranty will be settled exclusively by the Courts of the Metropolitan Area Of the City of Caracas.

NORTH AMERICA

How to Obtain Warranty Service: *The following is added to this Section:*

To obtain warranty service from IBM in Canada or the United States, call 1-800-IBM-SERV (426-7378).

CANADA

Limitation of Liability: *The following replaces item 1 of this section:*

1. damages for bodily injury (including death) or physical harm to real property and tangible personal property caused by IBM's negligence; and

Governing Law: *The following replaces "laws of the country in which you acquired the Machine" in the first sentence:*

laws in the Province of Ontario.

UNITED STATES

Governing Law: The following replaces "laws of the country in which you acquired the Machine" in the first sentence:

laws of the State of New York.

ASIA PACIFIC

AUSTRALIA

What this Warranty Covers: *The following paragraph is added to this section:*

The warranties specified in this Section are in addition to any rights you may have under the Trade Practices Act 1974 or other similar legislation and are only limited to the extent permitted by the applicable legislation.

Limitation of Liability: *The following is added to this section:*

Where IBM is in breach of a condition or warranty implied by the Trade Practices Act 1974 or other similar legislation, IBM's liability is limited to the repair or replacement of the goods or the supply of equivalent goods. Where that condition or warranty relates to right to sell, quiet possession or clear title, or the goods are of a kind ordinarily acquired for personal, domestic or household use or consumption, then none of the limitations in this paragraph apply.

Governing Law: The following replaces "laws of the country in which you acquired the Machine" in the first sentence:

laws of the State or Territory.

CAMBODIA AND LAOS

Governing Law: *The following replaces "laws of the country in which you acquired the Machine" in the first sentence:*

laws of the State of New York, United States of America.

CAMBODIA, INDONESIA, AND LAOS

Arbitration: *The following is added under this heading:*

Disputes arising out of or in connection with this Statement of Limited Warranty shall be finally settled by arbitration which shall be held in Singapore in accordance with the Arbitration Rules of Singapore International Arbitration Center ("SIAC Rules") then in effect. The arbitration award shall be final and binding for the parties without appeal and shall be in writing and set forth the findings of fact and the conclusions of law.

The number of arbitrators shall be three, with each side to the dispute being entitled to appoint one arbitrator. The two arbitrators appointed by the parties shall appoint a third arbitrator who shall act as chairman of the proceedings. Vacancies in the post of chairman shall be filled by the president of the SIAC. Other vacancies shall be filled by the respective nominating party. Proceedings shall continue from the stage they were at when the vacancy occurred.

If one of the parties refuses or otherwise fails to appoint an arbitrator within 30 days of the date the other party appoints its, the first appointed arbitrator shall be the sole arbitrator, provided that the arbitrator was validly and properly appointed.

All proceedings shall be conducted, including all documents presented in such proceedings, in the English language. The English language version of this Statement of Limited Warranty prevails over any other language version.

HONG KONG S.A.R. OF CHINA AND MACAU S.A.R. OF CHINA

Governing Law: *The following replaces “laws of the country in which you acquired the Machine” in the first sentence:*

laws of Hong Kong Special Administrative Region of China.

INDIA

Limitation of Liability: *The following replaces items 1 and 2 of this section:*

1. liability for bodily injury (including death) or damage to real property and tangible personal property will be limited to that caused by IBM's negligence; and
2. as to any other actual damage arising in any situation involving nonperformance by IBM pursuant to, or in any way related to the subject of this Statement of Limited Warranty, the charge paid by you for the individual Machine that is the subject of the claim. For purposes of this item, the term “Machine” includes Machine Code and Licensed Internal Code (“LIC”).

Arbitration: *The following is added under this heading:*

Disputes arising out of or in connection with this Statement of Limited Warranty shall be finally settled by arbitration which shall be held in Bangalore, India in accordance with the laws of India then in effect. The arbitration award shall be final and binding for the parties without appeal and shall be in writing and set forth the findings of fact and the conclusions of law.

The number of arbitrators shall be three, with each side to the dispute being entitled to appoint one arbitrator. The two arbitrators appointed by the parties shall appoint a third arbitrator who shall act as chairman of the proceedings. Vacancies in the post of chairman shall be filled by the president of the Bar Council of India. Other vacancies shall be filled by the respective nominating party. Proceedings shall continue from the stage they were at when the vacancy occurred.

If one of the parties refuses or otherwise fails to appoint an arbitrator within 30 days of the date the other party appoints its, the first appointed arbitrator shall be the sole arbitrator, provided that the arbitrator was validly and properly appointed.

All proceedings shall be conducted, including all documents presented in such proceedings, in the English language. The English language version of this Statement of Limited Warranty prevails over any other language version.

JAPAN

Governing Law: *The following sentence is added to this section:*

Any doubts concerning this Statement of Limited Warranty will be initially resolved between us in good faith and in accordance with the principle of mutual trust.

MALAYSIA

Limitation of Liability: *The word “SPECIAL” in item 3 of the fifth paragraph is deleted.*

NEW ZEALAND

What this Warranty Covers: *The following paragraph is added to this section:*

The warranties specified in this section are in addition to any rights you may have under the Consumer Guarantees Act 1993 or other legislation which cannot be excluded or limited. The Consumer

Guarantees Act 1993 will not apply in respect of any goods which IBM provides, if you require the goods for the purposes of a business as defined in that Act.

Limitation of Liability: *The following is added to this section:*

Where Machines are not acquired for the purposes of a business as defined in the Consumer Guarantees Act 1993, the limitations in this section are subject to the limitations in that Act.

PEOPLE'S REPUBLIC OF CHINA (PRC)

Governing Law: *The following replaces “laws of the country in which you acquired the Machine” in the first sentence:*

laws of the State of New York, United States of America (except when local law requires otherwise).

PHILIPPINES

Limitation of Liability: *Item 3 in the fifth paragraph is replaced by the following:*

SPECIAL (INCLUDING NOMINAL AND EXEMPLARY DAMAGES), MORAL, INCIDENTAL, OR INDIRECT DAMAGES FOR ANY ECONOMIC CONSEQUENTIAL DAMAGES; OR

Arbitration: *The following is added under this heading:*

Disputes arising out of or in connection with this Statement of Limited Warranty shall be finally settled by arbitration which shall be held in Metro Manila, Philippines in accordance with the laws of the Philippines then in effect. The arbitration award shall be final and binding for the parties without appeal and shall be in writing and set forth the findings of fact and the conclusions of law.

The number of arbitrators shall be three, with each side to the dispute being entitled to appoint one arbitrator. The two arbitrators appointed by the parties shall appoint a third arbitrator who shall act as chairman of the proceedings. Vacancies in the post of chairman shall be filled by the president of the Philippine Dispute Resolution Center, Inc. Other vacancies shall be filled by the respective nominating party. Proceedings shall continue from the stage they were at when the vacancy occurred.

If one of the parties refuses or otherwise fails to appoint an arbitrator within 30 days of the date the other party appoints its, the first appointed arbitrator shall be the sole arbitrator, provided that the arbitrator was validly and properly appointed.

All proceedings shall be conducted, including all documents presented in such proceedings, in the English language. The English language version of this Statement of Limited Warranty prevails over any other language version.

SINGAPORE

Limitation of Liability: *The words “SPECIAL” and “ECONOMIC” in item 3 in the fifth paragraph are deleted.*

EUROPE, MIDDLE EAST, AFRICA (EMEA)

THE FOLLOWING TERMS APPLY TO ALL EMEA COUNTRIES:

The terms of this Statement of Limited Warranty apply to Machines purchased from IBM or an IBM reseller.

How to Obtain Warranty Service:

*Add the following paragraph in **Western Europe** (Andorra, Austria, Belgium, Cyprus, Czech Republic, Denmark, Estonia, Finland, France, Germany, Greece, Hungary, Iceland, Ireland, Italy, Latvia, Liechtenstein, Lithuania, Luxembourg, Malta, Monaco, Netherlands, Norway, Poland, Portugal, San Marino, Slovakia, Slovenia, Spain, Sweden, Switzerland, United Kingdom, Vatican State, and any country subsequently added to the European Union, as from the date of accession):*

The warranty for Machines acquired in Western Europe shall be valid and applicable in all Western Europe countries provided the Machines have been announced and made available in such countries.

If you purchase a Machine in one of the Western European countries, as defined above, you may obtain warranty service for that Machine in any of those countries from either (1) an IBM reseller approved to perform warranty service or (2) from IBM, provided the Machine has been announced and made available by IBM in the country in which you wish to obtain service.

If you purchased a Personal Computer Machine in Albania, Armenia, Belarus, Bosnia and Herzegovina, Bulgaria, Croatia, Czech Republic, Georgia, Hungary, Kazakhstan, Kyrgyzstan, Federal Republic of Yugoslavia, Former Yugoslav Republic of Macedonia (FYROM), Moldova, Poland, Romania, Russia, Slovak Republic, Slovenia, or Ukraine, you may obtain warranty service for that Machine in any of those countries from either (1) an IBM reseller approved to perform warranty service or (2) from IBM.

If you purchase a Machine in a Middle Eastern or African country, you may obtain warranty service for that Machine from the IBM entity within the country of purchase, if that IBM entity provides warranty service in that country, or from an IBM reseller, approved by IBM to perform warranty service on that Machine in that country. Warranty service in Africa is available within 50 kilometers of an IBM approved service provider. You are responsible for transportation costs for Machines located outside 50 kilometers of an IBM approved service provider.

Governing Law:

The phrase “the laws of the country in which you acquired the Machine” is replaced by:

1) “the laws of Austria” in **Albania, Armenia, Azerbaijan, Belarus, Bosnia-Herzegovina, Bulgaria, Croatia, Georgia, Hungary, Kazakhstan, Kyrgyzstan, FYR Macedonia, Moldova, Poland, Romania, Russia, Slovakia, Slovenia, Tajikistan, Turkmenistan, Ukraine, Uzbekistan, and FR Yugoslavia**; 2) “the laws of France” in **Algeria, Benin, Burkina Faso, Cameroon, Cape Verde, Central African Republic, Chad, Comoros, Congo Republic, Djibouti, Democratic Republic of Congo, Equatorial Guinea, French Guiana, French Polynesia, Gabon, Gambia, Guinea, Guinea-Bissau, Ivory Coast, Lebanon, Madagascar, Mali, Mauritania, Mauritius, Mayotte, Morocco, New Caledonia, Niger, Reunion, Senegal, Seychelles, Togo, Tunisia, Vanuatu, and Wallis & Futuna**; 3) “the laws of Finland” in **Estonia, Latvia, and Lithuania**; 4) “the laws of England” in **Angola, Bahrain, Botswana, Burundi, Egypt, Eritrea, Ethiopia, Ghana, Jordan, Kenya, Kuwait, Liberia, Malawi, Malta, Mozambique, Nigeria, Oman, Pakistan, Qatar, Rwanda, Sao Tome, Saudi Arabia, Sierra Leone, Somalia, Tanzania, Uganda, United Arab Emirates, the United Kingdom, West Bank/Gaza, Yemen, Zambia, and Zimbabwe**; and 5) “the laws of South Africa” in **South Africa, Namibia, Lesotho and Swaziland**.

Jurisdiction: The following is added after the first sentence:

1) **In Austria** the choice of jurisdiction for all disputes arising out of this Statement of Limited Warranty and relating thereto, including its existence, will be the competent court of law in Vienna, Austria (Inner-City); 2) **in Angola, Bahrain, Botswana, Burundi, Egypt, Eritrea, Ethiopia, Ghana, Jordan, Kenya, Kuwait, Liberia, Malawi, Malta, Mozambique, Nigeria, Oman, Pakistan, Qatar, Rwanda, Sao Tome, Saudi Arabia, Sierra Leone, Somalia, Tanzania, Uganda, United Arab Emirates, West Bank/Gaza, Yemen, Zambia, and Zimbabwe** all disputes arising out of this Statement of Limited Warranty or related to its execution, including summary proceedings, will be submitted to the exclusive jurisdiction of the English courts; 3) **in Belgium and Luxembourg**, all disputes arising out of this Statement of Limited Warranty or related to its interpretation or its execution, the law, and the courts of the capital city, of the country of your registered office and/or commercial site location only are competent; 4) **in France, Algeria, Benin, Burkina Faso, Cameroon, Cape Verde, Central African Republic, Chad, Comoros, Congo Republic, Djibouti, Democratic Republic of Congo, Equatorial Guinea, French Guiana, French Polynesia, Gabon, Gambia, Guinea, Guinea-Bissau, Ivory Coast, Lebanon, Madagascar, Mali, Mauritania, Mauritius, Mayotte, Morocco, New Caledonia, Niger, Reunion, Senegal, Seychelles, Togo, Tunisia, Vanuatu, and Wallis & Futuna** all disputes arising out of this Statement of Limited Warranty or related to its violation or execution, including summary proceedings, will be settled exclusively by the Commercial Court of Paris; 5) **in Russia**, all disputes arising out of or in relation to the interpretation, the violation, the termination, the nullity of the execution of this Statement of Limited Warranty shall be settled by

Arbitration Court of Moscow; 6) **in South Africa, Namibia, Lesotho and Swaziland**, both of us agree to submit all disputes relating to this Statement of Limited Warranty to the jurisdiction of the High Court in Johannesburg; 7) **in Turkey** all disputes arising out of or in connection with this Statement of Limited Warranty shall be resolved by the Istanbul Central (Sultanahmet) Courts and Execution Directorates of Istanbul, the Republic of Turkey; 8) in each of the following specified countries, any legal claim arising out of this Statement of Limited Warranty will be brought before, and settled exclusively by, the competent court of a) Athens for **Greece**, b) Tel Aviv-Jaffa for **Israel**, c) Milan for **Italy**, d) Lisbon for **Portugal**, and e) Madrid for **Spain**; and 9) **in the United Kingdom**, both of us agree to submit all disputes relating to this Statement of Limited Warranty to the jurisdiction of the English courts.

Arbitration: *The following is added under this heading:*

In Albania, Armenia, Azerbaijan, Belarus, Bosnia-Herzegovina, Bulgaria, Croatia, Georgia, Hungary, Kazakhstan, Kyrgyzstan, FYR Macedonia, Moldova, Poland, Romania, Russia, Slovakia, Slovenia, Tajikistan, Turkmenistan, Ukraine, Uzbekistan, and FR Yugoslavia all disputes arising out of this Statement of Limited Warranty or related to its violation, termination or nullity will be finally settled under the Rules of Arbitration and Conciliation of the International Arbitral Center of the Federal Economic Chamber in Vienna (Vienna Rules) by three arbitrators appointed in accordance with these rules. The arbitration will be held in Vienna, Austria, and the official language of the proceedings will be English. The decision of the arbitrators will be final and binding upon both parties. Therefore, pursuant to paragraph 598 (2) of the Austrian Code of Civil Procedure, the parties expressly waive the application of paragraph 595 (1) figure 7 of the Code. IBM may, however, institute proceedings in a competent court in the country of installation.

In Estonia, Latvia and Lithuania all disputes arising in connection with this Statement of Limited Warranty will be finally settled in arbitration that will be held in Helsinki, Finland in accordance with the arbitration laws of Finland then in effect. Each party will appoint one arbitrator. The arbitrators will then jointly appoint the chairman. If arbitrators cannot agree on the chairman, then the Central Chamber of Commerce in Helsinki will appoint the chairman.

EUROPEAN UNION (EU)

THE FOLLOWING TERMS APPLY TO ALL EU COUNTRIES:

The warranty for Machines acquired in EU countries is valid and applicable in all EU countries provided the Machines have been announced and made available in such countries.

How to Obtain Warranty Service: *The following is added to this section:*

To obtain warranty service from IBM in EU countries, see the telephone listing in Part 3 - Warranty Information.

You may contact IBM at the following address:

IBM Warranty & Service Quality Dept.
PO Box 30
Spango Valley
Greenock
Scotland PA16 0AH

CONSUMERS

Consumers have legal rights under applicable national legislation governing the sale of consumer goods. Such rights are not affected by the warranties provided in this Statement of Limited Warranty.

AUSTRIA, DENMARK, FINLAND, GREECE, ITALY, NETHERLANDS, NORWAY, PORTUGAL, SPAIN, SWEDEN AND SWITZERLAND

Limitation of Liability: *The following replaces the terms of this section in its entirety:*

Except as otherwise provided by mandatory law:

1. IBM's liability for any damages and losses that may arise as a consequence of the fulfillment of its obligations under or in connection with this Statement of Limited Warranty or due to any other cause related to this Statement of Limited Warranty is limited to the compensation of only those damages and losses proved and actually arising as an immediate and direct consequence of the non-fulfillment of such obligations (if IBM is at fault) or of such cause, for a maximum amount equal to the charges you paid for the Machine. For purposes of this item, the term "Machine" includes Machine Code and Licensed Internal Code ("LIC").

The above limitation shall not apply to damages for bodily injuries (including death) and damages to real property and tangible personal property for which IBM is legally liable.

2. **UNDER NO CIRCUMSTANCES IS IBM, ITS SUPPLIERS OR RESELLERS LIABLE FOR ANY OF THE FOLLOWING, EVEN IF INFORMED OF THEIR POSSIBILITY: 1) LOSS OF, OR DAMAGE TO, DATA; 2) INCIDENTAL OR INDIRECT DAMAGES, OR FOR ANY ECONOMIC CONSEQUENTIAL DAMAGES; 3) LOST PROFITS, EVEN IF THEY ARISE AS AN IMMEDIATE CONSEQUENCE OF THE EVENT THAT GENERATED THE DAMAGES; OR 4) LOSS OF BUSINESS, REVENUE, GOODWILL, OR ANTICIPATED SAVINGS.**

FRANCE AND BELGIUM

Limitation of Liability: *The following replaces the terms of this section in its entirety:*

Except as otherwise provided by mandatory law:

1. IBM's liability for any damages and losses that may arise as a consequence of the fulfillment of its obligations under or in connection with this Statement of Limited Warranty is limited to the compensation of only those damages and losses proved and actually arising as an immediate and direct consequence of the non-fulfillment of such obligations (if IBM is at fault), for a maximum amount equal to the charges you paid for the Machine that has caused the damages. For purposes of this item, the term "Machine" includes Machine Code and Licensed Internal Code ("LIC").

The above limitation shall not apply to damages for bodily injuries (including death) and damages to real property and tangible personal property for which IBM is legally liable.

2. **UNDER NO CIRCUMSTANCES IS IBM, ITS SUPPLIERS OR RESELLERS LIABLE FOR ANY OF THE FOLLOWING, EVEN IF INFORMED OF THEIR POSSIBILITY: 1) LOSS OF, OR DAMAGE TO, DATA; 2) INCIDENTAL OR INDIRECT DAMAGES, OR FOR ANY ECONOMIC CONSEQUENTIAL DAMAGES; 3) LOST PROFITS, EVEN IF THEY ARISE AS AN IMMEDIATE CONSEQUENCE OF THE EVENT THAT GENERATED THE DAMAGES; OR 4) LOSS OF BUSINESS, REVENUE, GOODWILL, OR ANTICIPATED SAVINGS.**

THE FOLLOWING TERMS APPLY TO THE COUNTRY SPECIFIED:

AUSTRIA

The provisions of this Statement of Limited Warranty replace any applicable statutory warranties.

What this Warranty Covers: *The following replaces the first sentence of the first paragraph of this section:*

The warranty for an IBM Machine covers the functionality of the Machine for its normal use and the Machine's conformity to its Specifications.

The following paragraphs are added to this section:

The limitation period for consumers in action for breach of warranty is the statutory period as a minimum. In case IBM or your reseller is unable to repair an IBM Machine, you can alternatively ask for a partial refund as far as justified by the reduced value of the unrepaired Machine or ask for a cancellation of the respective agreement for such Machine and get your money refunded.

The second paragraph does not apply.

What IBM Will Do to Correct Problems: *The following is added to this section:*

During the warranty period, IBM will reimburse you for the transportation charges for the delivery of the failing Machine to IBM.

Limitation of Liability: *The following paragraph is added to this section:*

The limitations and exclusions specified in the Statement of Limited Warranty will not apply to damages caused by IBM with fraud or gross negligence and for express warranty.

The following sentence is added to the end of item 2:

IBM's liability under this item is limited to the violation of essential contractual terms in cases of ordinary negligence.

EGYPT

Limitation of Liability: *The following replaces item 2 in this section:*

as to any other actual direct damages, IBM's liability will be limited to the total amount you paid for the Machine that is the subject of the claim. For purposes of this item, the term "Machine" includes Machine Code and Licensed Internal Code ("LIC").

Applicability of suppliers and resellers (unchanged).

FRANCE

Limitation of Liability: *The following replaces the second sentence of the first paragraph of this section:*

In such instances, regardless of the basis on which you are entitled to claim damages from IBM, IBM is liable for no more than: (items 1 and 2 unchanged).

GERMANY

What this Warranty Covers: *The following replaces the first sentence of the first paragraph of this section:*

The warranty for an IBM Machine covers the functionality of the Machine for its normal use and the Machine's conformity to its Specifications.

The following paragraphs are added to this section:

The minimum warranty period for Machines is twelve months. In case IBM or your reseller is unable to repair an IBM Machine, you can alternatively ask for a partial refund as far as justified by the reduced value of the unrepaired Machine or ask for a cancellation of the respective agreement for such Machine and get your money refunded.

The second paragraph does not apply.

What IBM Will Do to Correct Problems: *The following is added to this section:*

During the warranty period, transportation for delivery of the failing Machine to IBM will be at IBM's expense.

Limitation of Liability: *The following paragraph is added to this section:*

The limitations and exclusions specified in the Statement of Limited Warranty will not apply to damages caused by IBM with fraud or gross negligence and for express warranty.

The following sentence is added to the end of item 2:

IBM's liability under this item is limited to the violation of essential contractual terms in cases of ordinary negligence.

HUNGARY

Limitation of Liability: *The following is added at the end of this section:*

The limitation and exclusion specified herein shall not apply to liability for a breach of contract damaging life, physical well-being, or health that has been caused intentionally, by gross negligence, or by a criminal act.

The parties accept the limitations of liability as valid provisions and state that the Section 314.(2) of the Hungarian Civil Code applies as the acquisition price as well as other advantages arising out of the present Statement of Limited Warranty balance this limitation of liability.

IRELAND

What this Warranty Covers: *The following is added to this section:*

Except as expressly provided in these terms and conditions, all statutory conditions, including all warranties implied, but without prejudice to the generality of the foregoing all warranties implied by the Sale of Goods Act 1893 or the Sale of Goods and Supply of Services Act 1980 are hereby excluded.

Limitation of Liability: *The following replaces the terms of this section in its entirety:*

For the purposes of this section, a "Default" means any act, statement, omission, or negligence on the part of IBM in connection with, or in relation to, the subject matter of this Statement of Limited Warranty in respect of which IBM is legally liable to you, whether in contract or tort. A number of Defaults which together result in, or contribute to, substantially the same loss or damage will be treated as one Default occurring on the date of occurrence of the last such Default.

Circumstances may arise where, because of a Default, you are entitled to recover damages from IBM.

This section sets out the extent of IBM's liability and your sole remedy.

1. IBM will accept unlimited liability for death or personal injury caused by the negligence of IBM.
2. Subject always to the Items for Which IBM is Not Liable below, IBM will accept unlimited liability for physical damage to your tangible property resulting from the negligence of IBM.
3. Except as provided in items 1 and 2 above, IBM's entire liability for actual damages for any one Default will not in any event exceed the greater of 1) EUR 125,000, or 2) 125% of the amount you paid for the Machine directly relating to the Default.

Items for Which IBM is Not Liable

Save with respect to any liability referred to in item 1 above, under no circumstances is IBM, its suppliers or resellers liable for any of the following, even if IBM or they were informed of the possibility of such losses:

1. loss of, or damage to, data;
2. special, indirect, or consequential loss; or
3. loss of profits, business, revenue, goodwill, or anticipated savings.

SLOVAKIA

Limitation of Liability: *The following is added to the end of the last paragraph:*

The limitations apply to the extent they are not prohibited under §§ 373-386 of the Slovak Commercial Code.

SOUTH AFRICA, NAMIBIA, BOTSWANA, LESOTHO AND SWAZILAND

Limitation of Liability: *The following is added to this section:*

IBM's entire liability to you for actual damages arising in all situations involving nonperformance by IBM in respect of the subject matter of this Statement of Warranty will be limited to the charge paid by you for the individual Machine that is the subject of your claim from IBM.

UNITED KINGDOM

Limitation of Liability: *The following replaces the terms of this section in its entirety:*

For the purposes of this section, a "Default" means any act, statement, omission, or negligence on the part of IBM in connection with, or in relation to, the subject matter of this Statement of Limited Warranty in respect of which IBM is legally liable to you, whether in contract or tort. A number of Defaults which together result in, or contribute to, substantially the same loss or damage will be treated as one Default.

Circumstances may arise where, because of a Default, you are entitled to recover damages from IBM.

This section sets out the extent of IBM's liability and your sole remedy.

1. IBM will accept unlimited liability for:
 - a. death or personal injury caused by the negligence of IBM; and
 - b. any breach of its obligations implied by Section 12 of the Sale of Goods Act 1979 or Section 2 of the Supply of Goods and Services Act 1982, or any statutory modification or re-enactment of either such Section.
2. IBM will accept unlimited liability, subject always to the Items for Which IBM is Not Liable below, for physical damage to your tangible property resulting from the negligence of IBM.
3. IBM's entire liability for actual damages for any one Default will not in any event, except as provided in items 1 and 2 above, exceed the greater of 1) Pounds Sterling 75,000, or 2) 125% of the total purchase price payable or the charges for the Machine directly relating to the Default.

These limits also apply to IBM's suppliers and resellers. They state the maximum for which IBM and such suppliers and resellers are collectively responsible.

Items for Which IBM is Not Liable

Save with respect to any liability referred to in item 1 above, under no circumstances is IBM or any of its suppliers or resellers liable for any of the following, even if IBM or they were informed of the possibility of such losses:

1. loss of, or damage to, data;
2. special, indirect, or consequential loss; or
3. loss of profits, business, revenue, goodwill, or anticipated savings.

Part 3 - Warranty Information

This Part 3 provides information regarding the warranty applicable to your Machine, including the warranty period and type of warranty service IBM provides.

Warranty Period

The warranty period may vary by country or region and is specified in the table below.



NOTE: “Region” means either Hong Kong or Macau Special Administrative Region of China.

A warranty period of 3 years on parts and 1 year on labor means that IBM provides warranty service without charge for:

1. parts and labor during the first year of the warranty period; and
2. parts only, on an exchange basis, in the second and third years of the warranty period. IBM will charge you for any labor provided in performance of the repair or replacement(s) in the second and third year of the warranty period.

Machine type Topspin IB Switch Module for IBM eServer BladeCenter

Country or Region of Purchase	Warranty Period	Type of Warranty Service*
Worldwide	1 year	1
* See “Types of Warranty Service” for the legend and explanations of warranty-service types.		

Types of Warranty Service

If required, IBM provides repair or exchange service depending on the type of warranty service specified for your Machine in the above table and as described below. Warranty service may be provided by your reseller if approved by IBM to perform warranty service. Scheduling of service will depend upon the time of your call and is subject to parts availability. Service levels are response time objectives and are not guaranteed. The specified level of warranty service may not be available in all worldwide locations, additional charges may apply outside IBM’s normal service area, contact your local IBM representative or your reseller for country and location specific information.

Customer Replaceable Unit (“CRU”) Service

IBM provides replacement CRUs to you for you to install. CRU information and replacement instructions are shipped with your Machine and are available from IBM at any time on your request. Installation of Tier 1 CRUs is your responsibility. If IBM installs a Tier 1 CRU at your request, you will be charged for the installation. You may install a Tier 2 CRU yourself or request IBM to install it, at no additional charge, under the type of warranty service designated for your Machine. IBM specifies in the materials shipped with a replacement CRU whether a defective CRU must be returned to IBM. When return is required, 1) return instructions and a container are shipped with the replacement CRU, and 2) you may be charged for the replacement CRU if IBM does not receive the defective CRU within 30 days of your receipt of the replacement.

3. On-site Service

IBM or your reseller will either repair or exchange the failing Machine at your location and verify its operation. You must provide suitable working area to allow disassembly and reassembly of the IBM Machine. The area must be clean, well lit and suitable for the purpose. For some Machines, certain repairs may require sending the Machine to an IBM service center.

4. Courier or Depot Service*

You will disconnect the failing Machine for collection arranged by IBM. IBM will provide you with a shipping container for you to return your Machine to a designated service center. A courier will pick up your Machine and deliver it to the designated service center. Following its repair or exchange, IBM will arrange the return delivery of the Machine to your location. You are responsible for its installation and verification.

5. Customer Carry-In or Mail-In Service

You will deliver or mail as IBM specifies (prepaid unless IBM specifies otherwise) the failing Machine suitably packaged to a location IBM designates. After IBM has repaired or exchanged the Machine, IBM will make it available for your collection or, for Mail-in Service, IBM will return it

to you at IBM's expense, unless IBM specifies otherwise. You are responsible for the subsequent installation and verification of the Machine.

6. **CRU and On-site Service**

This type of Warranty Service is a combination of Type 1 and Type 2 (see above).

7. **CRU and Courier or Depot Service**

This type of Warranty Service is a combination of Type 1 and Type 3 (see above).

8. **CRU and Customer Carry-In or Mail-In Service**

This type of Warranty Service is a combination of Type 1 and Type 4 (see above).

When a 5, 6 or 7 type of warranty service is listed, IBM will determine which type of warranty service is appropriate for the repair.

* This type of service is called ThinkPad® EasyServ or EasyServ in some countries.

The IBM Machine Warranty World Wide Web site at

http://www.ibm.com/servers/support/machine_warranties/ provides a worldwide overview of IBM's Limited Warranty for Machines, a Glossary of IBM definitions, Frequently Asked Questions (FAQs) and Support by Product (Machine) with links to Product Support pages. **The IBM Statement of Limited Warranty is also available on this site in 29 languages.**

To obtain warranty service contact IBM or your IBM reseller. In Canada or the United States, call 1-800-IBM-SERV (426-7378). In the EU countries, see the telephone numbers below.

EU Country Telephone List

Phone numbers are subject to change without notice. For the warranty service contact telephone number in a country subsequently added to the EU and not yet reflected in the list below, contact IBM in that country or visit the website above for a current telephone listing.

Austria -- +43-1-24592-5901	Latvia -- +386-61-1796-699
Belgium -- +32-70-23-3392	Lithuania -- +386-61-1796-699
Cyprus -- +357-22-841100	Luxembourg -- +352-298-977-5063
Czech Republic -- +420-2-7213-1316	Malta -- +356-23-4175
Denmark -- +45-4520-8200	Netherlands -- +31-20-514-5770
Estonia -- +386-61-1796-699	Poland -- +48-22-878-6999
Finland -- +358-8001-4260	Portugal -- +351-21-892-7147
France -- +33-238-557-450	Slovakia -- +421-2-4954-1217
Germany -- +49-1805-253553	Slovenia -- +386-1-4796-699
Greece -- +30-210-680-1700	Spain -- +34-91-714-7983
Hungary -- +36-1-382-5720	Sweden -- +46-8-477-4420
Ireland -- +353-1-815-4000	United Kingdom -- +44-1475-555-055
Italy -- +39-800-820-094	

Notices

This information was developed for products and services offered in the U.S.A.

IBM may not offer the products, services, or features discussed in this document in other countries. Consult your local IBM representative for information on the products and services currently available in your area. Any reference to an IBM product, program, or service is not intended to state or imply that only that IBM product, program, or service may be used. Any functionally equivalent product, program, or service that does not infringe any IBM intellectual property right may be used instead. However, it is the user's responsibility to evaluate and verify the operation of any non-IBM product, program, or service.

IBM may have patents or pending patent applications covering subject matter described in this document. The furnishing of this document does not give you any license to these patents. You can send license inquiries, in writing, to:

IBM Director of Licensing

IBM Corporation

North Castle Drive

Armonk, NY 10504-1785

U.S.A.

INTERNATIONAL BUSINESS MACHINES CORPORATION PROVIDES THIS PUBLICATION "AS IS" WITHOUT WARRANTY OF ANY KIND, EITHER EXPRESS OR IMPLIED, INCLUDING, BUT NOT LIMITED TO, THE IMPLIED WARRANTIES OF NON-INFRINGEMENT, MERCHANTABILITY OR FITNESS FOR A PARTICULAR PURPOSE. Some states do not allow disclaimer of express or implied warranties in certain transactions, therefore, this statement may not apply to you.

This information could include technical inaccuracies or typographical errors. Changes are periodically made to the information herein; these changes will be incorporated in new editions of the publication. IBM may make improvements and/or changes in the product(s) and/or the program(s) described in this publication at any time without notice.

Any references in this information to non-IBM Web sites are provided for convenience only and do not in any manner serve as an endorsement of those Web sites. The materials at those Web sites are not part of the materials for this IBM product, and use of those Web sites is at your own risk.

IBM may use or distribute any of the information you supply in any way it believes appropriate without incurring any obligation to you.

Edition notice

© Copyright International Business Machines Corporation 2004. All rights reserved.

U.S. Government Users Restricted Rights — Use, duplication, or disclosure restricted by GSA ADP Schedule Contract with IBM Corp.

Trademarks

The following terms are trademarks of International Business Machines Corporation in the United States, other countries, or both:

Active Memory	Predictive Failure Analysis
Active PCI	PS/2
Active PCI-X	ServeRAID
Alert on LAN	ServerGuide
BladeCenter	ServerProven
C2T Interconnect	TechConnect
Chipkill	ThinkPad
EtherJet	Tivoli
e-business logo	Tivoli Enterprise
Eserver	Update Connector
FlashCopy	Wake on LAN
IBM	XA-32
IBM (logo)	XA-64
IntelliStation	X-Architecture
NetBAY	XceL4
Netfinity	XpandOnDemand
NetView	xSeries
OS/2 WARP	

Intel, MMX, and Pentium are trademarks of Intel Corporation in the United States, other countries, or both.

Microsoft, Windows, and Windows NT are trademarks of Microsoft Corporation in the United States, other countries, or both.

UNIX is a registered trademark of The Open Group in the United States and other countries.

Java and all Java-based trademarks and logos are trademarks or registered trademarks of Sun Microsystems, Inc. in the United States, other countries, or both.

Adaptec and HostRAID are trademarks of Adaptec, Inc., in the United States, other countries, or both.

Linux is a trademark of Linus Torvalds in the United States, other countries, or both.

Red Hat, the Red Hat “Shadow Man” logo, and all Red Hat-based trademarks and logos are trademarks or registered trademarks of Red Hat, Inc., in the United States and other countries.

Other company, product, or service names may be trademarks or service marks of others.

Important notes

Processor speeds indicate the internal clock speed of the microprocessor; other factors also affect application performance.

CD-ROM drive speeds list the variable read rate. Actual speeds vary and are often less than the maximum possible.

When referring to processor storage, real and virtual storage, or channel volume, KB stands for approximately 1000 bytes, MB stands for approximately 1 000 000 bytes, and GB stands for approximately 1 000 000 000 bytes.

When referring to hard disk drive capacity or communications volume, MB stands for 1 000 000 bytes, and GB stands for 1 000 000 000 bytes. Total user-accessible capacity may vary depending on operating environments.

Maximum internal hard disk drive capacities assume the replacement of any standard hard disk drives and population of all hard disk drive bays with the largest currently supported drives available from IBM.

Maximum memory may require replacement of the standard memory with an optional memory module.

IBM makes no representation or warranties regarding non-IBM products and services that are ServerProven®, including but not limited to the implied warranties of merchantability and fitness for a particular purpose. These products are offered and warranted solely by third parties.

IBM makes no representations or warranties with respect to non-IBM products. Support (if any) for the non-IBM products is provided by the third party, not IBM.

Some software may differ from its retail version (if available), and may not include user manuals or all program functionality.

Product recycling and disposal

This unit contains materials such as circuit boards, cables, electromagnetic compatibility gaskets, and connectors which may contain lead and copper/beryllium alloys that require special handling and disposal at end of life. Before this unit is disposed of, these materials must be removed and recycled or discarded according to applicable regulations. IBM offers product-return programs in several countries. Information on product recycling offerings can be found on IBM’s Internet site at <http://www.ibm.com/ibm/environment/products/prp.shtml>.

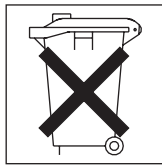
Battery return program

This product may contain a sealed lead acid, nickel cadmium, nickel metal hydride, lithium, or lithium ion battery. Consult your user manual or service manual for specific battery information. The battery must be recycled or disposed of properly. Recycling facilities may not be available in your area. For information on disposal of batteries outside the United States, go to <http://www.ibm.com/ibm/environment/products/batteryrecycle.shtml> or contact your local waste disposal facility.

In the United States, IBM has established a collection process for reuse, recycling, or proper disposal of used IBM sealed lead acid, nickel cadmium, nickel metal hydride, and battery packs from IBM

equipment. For information on proper disposal of these batteries, contact IBM at 1-800-426-4333. Have the IBM part number listed on the battery available prior to your call.

In the Netherlands, the following applies.



廢電池請回收

Electronic emission notices

Federal Communications Commission (FCC) statement



NOTE: This equipment has been tested and found to comply with the limits for a Class A digital device, pursuant to Part 15 of the FCC Rules. These limits are designed to provide reasonable protection against harmful interference when the equipment is operated in a commercial environment. This equipment generates, uses, and can radiate radio frequency energy and, if not installed and used in accordance with the instruction manual, may cause harmful interference to radio communications. Operation of this equipment in a residential area is likely to cause harmful interference, in which case the user will be required to correct the interference at his own expense.

Properly shielded and grounded cables and connectors must be used in order to meet FCC emission limits. IBM is not responsible for any radio or television interference caused by using other than recommended cables and connectors or by unauthorized changes or modifications to this equipment. Unauthorized changes or modifications could void the user's authority to operate the equipment.

This device complies with Part 15 of the FCC Rules. Operation is subject to the following two conditions: (1) this device may not cause harmful interference, and (2) this device must accept any interference received, including interference that may cause undesired operation.

Industry Canada Class A emission compliance statement

This Class A digital apparatus complies with Canadian ICES-003.

Avis de conformité à la réglementation d'Industrie Canada

Cet appareil numérique de la classe A est conforme à la norme NMB-003 du Canada.

Australia and New Zealand Class A statement

Attention: This is a Class A product. In a domestic environment this product may cause radio interference in which case the user may be required to take adequate measures.

United Kingdom telecommunications safety requirement

Notice to Customers

This apparatus is approved under approval number NS/G/1234/J/100003 for indirect connection to public telecommunication systems in the United Kingdom.

European Union EMC Directive conformance statement

This product is in conformity with the protection requirements of EU Council Directive 89/336/EEC on the approximation of the laws of the Member States relating to electromagnetic compatibility. IBM cannot accept responsibility for any failure to satisfy the protection requirements resulting from a nonrecommended modification of the product, including the fitting of non-IBM option cards.

This product has been tested and found to comply with the limits for Class A Information Technology Equipment according to CISPR 22/European Standard EN 55022. The limits for Class A equipment were derived for commercial and industrial environments to provide reasonable protection against interference with licensed communication equipment.

Attention: This is a Class A product. In a domestic environment this product may cause radio interference in which case the user may be required to take adequate measures.

Taiwanese Class A warning statement

警告使用者：
這是甲類的資訊產品，在居住的環境中使用時，可能會造成射頻干擾，在這種情況下，使用者會被要求採取某些適當的對策。

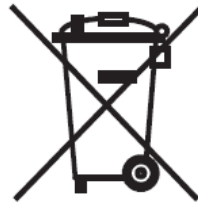
Chinese Class A warning statement

声 明
此为 A 级产品。在生活环境中，该产品可能会造成无线电干扰。在这种情况下，可能需要用户对其干扰采取切实可行的措施。

Japanese Voluntary Control Council for Interference (VCCI) statement

この装置は、情報処理装置等電波障害自主規制協議会（VCCI）の基準に基づくクラスA情報技術装置です。この装置を家庭環境で使用すると電波妨害を引き起こすことがあります。この場合には使用者が適切な対策を講ずるよう要求されることがあります。

WEEE Notice



NOTE: This mark applies only to countries within the European Union (EU) and Norway.

This appliance is labelled in accordance with European Directive 2002/96/EC concerning waste electrical and electronic equipment (WEEE). The Directive determines the framework for the return and recycling of used appliances as applicable throughout the European Union. This label is applied to various products to indicate that the product is not to be thrown away, but rather reclaimed upon end of life per this Directive.

注意：このマークは EU 諸国およびノルウェーにおいてのみ適用されます。

この機器には、EU 諸国に対する廃電気電子機器指令 2002/96/EC(WEEE) のラベルが貼られています。この指令は、EU 諸国に適用する使用済み機器の回収とリサイクルの骨子を定めています。このラベルは、使用済みになった時に指令に従って適正な処理をする必要があることを知らせるために種々の製品に貼られています。

Remarque : Cette marque s'applique uniquement aux pays de l'Union Européenne et à la Norvège.

L'étiquette du système respecte la Directive européenne 2002/96/EC en matière de Déchets des Equipements Electriques et Electroniques (DEEE), qui détermine les dispositions de retour et de recyclage applicables aux systèmes utilisés à travers l'Union européenne. Conformément à la directive, ladite étiquette précise que le produit sur lequel elle est apposée ne doit pas être jeté mais être récupéré en fin de vie.

Safety

Before installing this product, read the Safety Information.

قبل تركيب هذا المنتج، يجب قراءة الملاحظات الأمنية.

Antes de instalar este produto, leia as Informações de Segurança.

在安装本产品之前，请仔细阅读 **Safety Information** (安全信息)。

安裝本產品之前，請先閱讀「安全資訊」。

Prije instalacije ovog produkta obavezno pročitajte Sigurnosne Upute.

Před instalací tohoto produktu si přečtěte příručku bezpečnostních instrukcí.

Læs sikkerhedsforskrifterne, før du installerer dette produkt.

Lees voordat u dit product installeert eerst de veiligheidsvoorschriften.

Ennen kuin asennat tämän tuotteen, lue turvaohjeet kohdasta Safety Information.

Avant d'installer ce produit, lisez les consignes de sécurité.

Vor der Installation dieses Produkts die Sicherheitshinweise lesen.

Πριν εγκαταστήσετε το προϊόν αυτό, διαβάστε τις πληροφορίες ασφαλείας (safety information).

לפני שתתקינו מוצר זה, קראו את הוראות הבטיחות.

A termék telepítése előtt olvassa el a Biztonsági előírásokat!

Prima di installare questo prodotto, leggere le Informazioni sulla Sicurezza.

製品の設置の前に、安全情報をお読みください。

본 제품을 설치하기 전에 안전 정보를 읽으십시오.

Пред да се инсталира овој продукт, прочитајте информацијата за безбедност.

Les sikkerhetsinformasjonen (Safety Information) før du installerer dette produktet.

Przed zainstalowaniem tego produktu, należy zapoznać się z książką "Informacje dotyczące bezpieczeństwa" (Safety Information).

Antes de instalar este produto, leia as Informações sobre Segurança.

Перед установкой продукта прочтите инструкции по технике безопасности.

Pred inštaláciou tohto zariadenia si pečítajte Bezpečnostné predpisy.

Pred namestitvijo tega proizvoda preberite Varnostne informacije.

Antes de instalar este producto, lea la información de seguridad.

Läs säkerhetsinformationen innan du installerar den här produkten.

Statement 1:**DANGER**

Electrical current from power, telephone, and communication cables is hazardous.

To avoid a shock hazard:

- **Do not connect or disconnect any cables or perform installation, maintenance, or reconfiguration of this product during an electrical storm.**
- **Connect all power cords to a properly wired and grounded electrical outlet.**
- **Connect to properly wired outlets any equipment that will be attached to this product.**
- **When possible, use one hand only to connect or disconnect signal cables.**
- **Never turn on any equipment when there is evidence of fire, water, or structural damage.**
- **Disconnect the attached power cords, telecommunications systems, networks, and modems before you open the device covers, unless instructed otherwise in the installation and configuration procedures.**
- **Connect and disconnect cables as described in the following table when installing, moving, or opening covers on this product or attached devices.**

To Connect:

1. Turn everything OFF.
2. First, attach all cables to devices.
3. Attach signal cables to connectors.
4. Attach power cords to outlet.
5. Turn device ON.

To Disconnect:

1. Turn everything OFF.
2. First, remove power cords from outlet.
3. Remove signal cables from connectors.
4. Remove all cables from devices.

Statement 3:

**CAUTION:**

When laser products (such as CD-ROMs, DVD drives, fiber optic devices, or transmitters) are installed, note the following:

- Do not remove the covers. Removing the covers of the laser product could result in exposure to hazardous laser radiation. There are no serviceable parts inside the device.
- Use of controls or adjustments or performance of procedures other than those specified herein might result in hazardous radiation exposure.

**DANGER**

Some laser products contain an embedded Class 3A or Class 3B laser diode. Note the following.

Laser radiation when open. Do not stare into the beam, do not view directly with optical instruments, and avoid direct exposure to the beam.

Class 1 Laser Product
Laser Klasse 1
Laser Klass 1
Luokan 1 Laserlaitte
Appareil À Laser de Classe 1

Statement 21:

**CAUTION:**

Hazardous energy is present when the blade is connected to the power source. Always replace the blade cover before installing the blade.

About the Server Switch Module

The following sections appear in this chapter:

- [“Introduction” on page 1](#)
- [“Topologies” on page 2](#)
- [“Management” on page 3](#)
- [“LEDs” on page 3](#)

Introduction

The Topspin IB Switch Module for IBM eServer BladeCenter (hereafter “Server Switch Module”) adds InfiniBand (IB) switching capability to hosts in your IBM BladeCenter chassis. When you add one or two Server Switch Modules to your BladeCenter chassis and add HCA expansion cards to your BladeCenter hosts, your hosts can communicate to one another over IB within the chassis. When you connect the Server Switch Module to an outside IB fabric, BladeCenter hosts can communicate with all nodes that connect to the IB network. The Server Switch Module appears in [Figure 1-1](#).

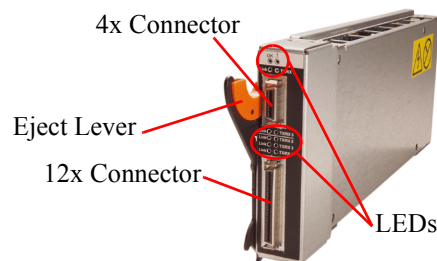


Figure 1-1: Topspin Server Switch Module for IBM eServer BladeCenter

Each Server Switch Module includes 14 1x ports to the backplane and 4 4x ports (in the form of 1 4x connector and 1 12x connector) on the front panel. (In the case of the BladeCenter T, the internal ports beyond the first 8 appear in the CLI but do not function.) The Server Switch Module provides fully non-blocking switching for all 18 ports. All internal 1x ports provide 2.5 Gbps connections to the HCA expansion cards on server blades. All external 4x connectors provide 10 Gbps connections to the outside IB network and can autonegotiate connection speed.

Server Switch Modules transmit information to and from BladeCenter Management Modules over Ethernet (via an internal Ethernet switch) to facilitate setup and management. After you set up a Server Switch Module and bring it online, the on-board Topspin Subnet Manager brings distributed intelligence to the IB network.

Topspin Server Switch Modules allow you to perform a field upgrade to load the latest firmware on the Server Switch Module. You can perform a firmware upgrade even following a failed upgrade. CLI and GUI interfaces both support upgrades. For details, refer to the *Command Line Interface Reference Guide* or *InfiniBand User Guide*.

Server Switch Module and HCA Expansion Cards

Within the BladeCenter unit, Server Switch Modules manage traffic to and from HCA expansion cards on the BladeCenter hosts. Each HCA expansion card adds two IB ports to a BladeCenter host. Each HCA port connects via the unit backplane to a particular Server Switch Module bay. The first IB port of each HCA card (ib0) connects to the Server Switch Module in bay 3, and the second IB port of each HCA card (ib1) connects to bay 4. For detailed information on the HCA expansion card, refer to the *InfiniBand Host Channel Adapter Expansion Card for IBM eServer BladeCenter User Guide*.

Topologies

With the Server Switch Module and HCA expansion cards, you can create a non-redundant, single switch topology or a redundant, dual-switch topology.

Single-Switch Topology

When you populate just one BladeCenter module bay with a Server Switch Module, you create a bi-sectional bandwidth topology. However, this topology does *not* provide redundant links from the HCA expansion cards to the Server Switch Module. We strongly recommend that you implement a “[Dual-Switch Topology](#)” to avoid single points of failure.



NOTE: Specific operating systems on the blade servers may prefer that the single Server Switch Module reside in bay 3, and others may prefer bay 4. The preference depends on which HCA port the OS identifies as ib0. If your single-switch topology does not run traffic, place the module in the alternate bay.

Dual-Switch Topology

To enable IB redundancy on the BladeCenter chassis, you must install one Server Switch Module in each available bay. HCA expansion cards do not support redundant links to a single Server Switch Module bay. When you add a second Server Switch Module to the BladeCenter chassis, each port of each HCA expansion card connects to a Server Switch Module.

NOTE: The Server Switch Modules do not connect to each other within the BladeCenter chassis. To connect the modules to enable features such as subnet manager failover, connect the modules with an IB cable via the external connectors. Before you connect the two Server Switch Modules in your chassis, configure the priority of the subnet managers on the modules. For step by step instructions, refer to [“Connect Beyond BladeCenter” on page 8](#).

Management

You can manage your Server Switch Module with any of the following interfaces:

- Simple Network Management Protocol (SNMP) versions 1, 2, and 3 with Topspin’s Management Information Base (MIBs)
- TopspinOS command line interface (CLI)
- Chassis Manager Web-based GUI
- Element Manager Java-based GUI
- APIs (via SNMP)

For instructions that detail how to configure your Server Switch Module with the CLI, refer to the *Command Line Interface Reference Guide*. For instructions that detail how to configure your Server Switch Module with Chassis Manager, refer to the *Chassis Manager User Guide*. For instructions that detail how to configure your Server Switch Module with Element Manager, refer to the *InfiniBand User Guide*.

LEDs

The Server Switch Module provides module status LEDs and port status LEDs. [Figure 1-2](#) identifies the various LEDs.

NOTE: External port numbers begin at 15 because ports 1 through 14 are internal.

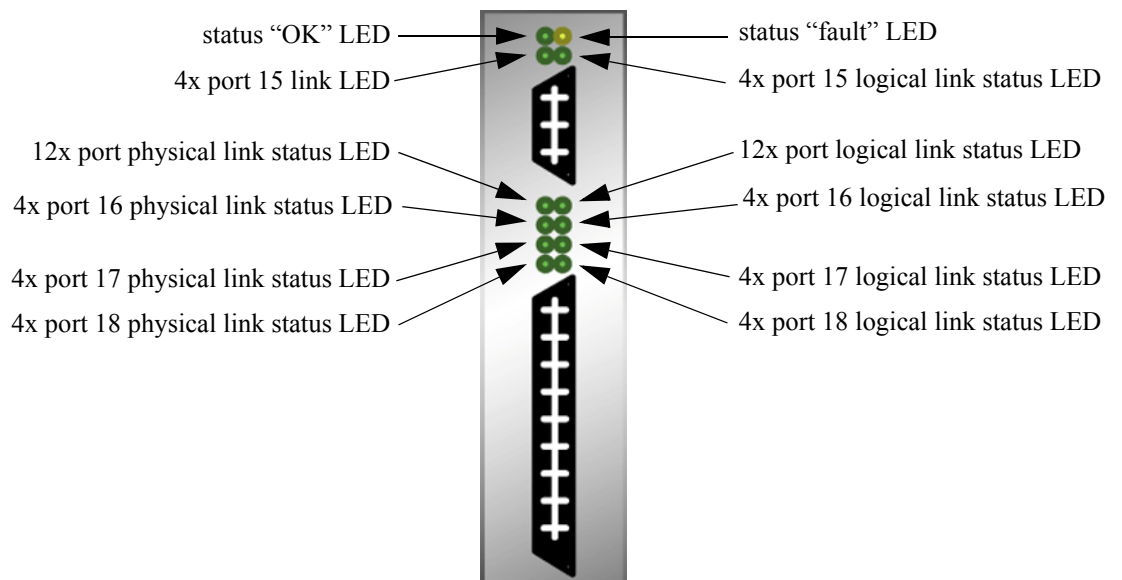


Figure 1-2: Server Switch Module LEDs



NOTE: As of this release, the Server Switch Module does not support the 12x-port physical link and logical link LEDs.

Server Switch Module Status LEDs

Module Status LEDs provide an at-a-glance indication of the health of the Server Switch Module. [Table 1-1](#) lists and describes the states of the Module Status LEDs.

Table 1-1: Module Status LED Indications

State	Indication
both LEDs off	No system power or LED malfunction.
yellow solid, green off	Module error detected: operator intervention required.
green solid, yellow off	Module running with no errors detected.

Port Status LEDs

The port LEDs on the Server Switch Module indicate connection and transmission status ([Table 1-2](#)). Link LEDs indicate connection status ([Table 1-3](#)). Traffic LEDs indicate transmission status.

Table 1-2: Server Switch Module Port Physical Link Status LEDs

Status	Indication
off	No logical connection through the interface.
solid green	Indicates that a physical link is established, with drivers installed and running.

Table 1-3: Server Switch Module Port Logical Link Status LEDs

Status	Indication
off	No traffic runs over the interface.
blinking green	Traffic runs successfully over the interface.

External InfiniBand Ports

To support three 4x ports, the 12x InfiniBand connector on the Server Switch Module becomes three 4x connectors through an “octopus cable.” This cable begins as one 12x connector (which connects to your Server Switch Module), then branches into three 4x connectors to which you can attach additional InfiniBand hardware. The *physical connectors* are numbered 1 through 4 from top to bottom (where the independent 4x connector on the Server Switch Module is at the top).

In all user interfaces, however, the *port* numbers begin at 15. Ports 1 through 14 function internally, then ports 15 - 18 connect the Server Switch Module to external devices. Connector 1 maps to port 15, connector 2 to port 16, and so on.

Getting Started

The following sections appear in this chapter:

- [“Install the Server Switch Module” on page 5](#)
- [“Configure the Server Switch Module” on page 5](#)
- [“Connect Beyond BladeCenter” on page 8](#)

Install the Server Switch Module

To install the Topspin Server Switch Module, perform the following steps:

1. Ground yourself appropriately.
2. Choose a bay into which you want to install the Server Switch Module. You must install the module in bay 3 or bay 4.
3. Refer to your BladeCenter unit documentation for standard hardware module installation instructions.
4. Proceed to [“Configure the Server Switch Module” on page 5](#) to configure the Server Switch Module to run.

Configure the Server Switch Module

To configure the Topspin InfiniBand Server Switch Module, perform the following steps:

1. Launch a Web browser and enter the IP address of the BladeCenter chassis in the address bar to open the BladeCenter log-in screen.
2. Log in. The BladeCenter interface appears.
3. Click the expand arrow (▶) to next to **I/O Module Tasks** in the left-hand navigation tree.

4. Click **Management**, under **I/O Module Tasks**, in the left-hand navigation tree. An **I/O Module Management** heading appears in the display.
5. Click the link of the physical bay that holds the Server Switch Module that you want to configure. A **Bay X** heading appears, where *X* is the number of the bay.
6. Enter an IP address, in the **IP address** field of the **New Static IP Configuration** section, for the Server Switch Module.



NOTE: The IP address of the Server Switch Module *must* fall in the same subnet as the modules in the other bays.

7. Enter a subnet mask, in the **Subnet mask** field of the **New Static IP Configuration** section, for the Server Switch Module.



NOTE: The subnet mask of the Server Switch Module *must* match the subnet mask of the modules in the other bays.

8. Enter a gateway IP address, in the **Gateway address** field of the **New Static IP Configuration** section, for the Server Switch Module, then click the **Save** button.



NOTE: The gateway address of the Server Switch Module *must* match the gateway address of the modules in the other bays.

9. Open a telnet session to the Server Switch Module with the IP address that you configured in [step 6](#) and log in to your Server Switch Module, then proceed to [“Change the Default Password”](#) to secure your Server Switch Module. Log in with the default user name of **USERID** and password of **PASSWORD**, where the 0 in **PASSWORD** is a zero.

Example

```
Switch(IBM BladeCenter)
IBM BladeCenter login: USERID
Password: xxxxxxxx
```

```
IBM BladeCenter>
```

Change the Default Password

Change the default password immediately to secure your Server Switch. To change the default administrative password, perform the following steps:

1. Enter the **enable** command to enter Privileged Exec mode.

Example

```
IBM BladeCenter> enable
IBM BladeCenter#
```

2. Enter the **configure terminal** command to enter Global Configuration mode.

Example

```
IBM BladeCenter# configure terminal
IBM BladeCenter(config)#
```

3. Enter the **username** command with
 - the user ID for which you need to change the password (in this case, **USERID**)
 - the **password** keyword
 - the new password that you want to apply to the user ID
 to change the password of the user ID.

Example

```
IBM BladeCenter(config)# username USERID password n0accE$$
```

4. Enter the **exit** command with the **all** keyword to return to User Exec mode.

Example

```
IBM BladeCenter(config)# exit all
IBM BladeCenter>
```

Configure the System Clock

Configure your system clock immediately so that all system messages include accurate timestamps. You can configure the clock setting on the on-board Server Switch clock or you can synchronize your Server Switch to a network time protocol (NTP) server.

Set the On-board Clock

To configure the on-board clock, perform the following steps:

1. Enter the **enable** command to enter Privileged Exec mode.

Example

```
IBM BladeCenter> enable
IBM BladeCenter#
```

2. Enter the clock set command with
 - the time of day in *hh:mm:ss* format
 - the day in *dd* format
 - the month in *mm* format
 - the year in *yy* format

to set the on-board clock. The example that follows sets the date to 1:45 am on June 3rd, 2004.

Example

```
IBM BladeCenter# clock set 01:45:00 03 06 04
```

Synchronize with NTP

To configure primary, secondary, and tertiary NTP servers to synchronize the Server Switch with the network, perform the following steps:

1. Enter the **enable** command to enter Privileged Exec mode.

Example

```
IBM BladeCenter> enable
IBM BladeCenter#
```

2. Enter the **configure terminal** command to enter Global Configuration mode.

Example

```
IBM BladeCenter# configure terminal
IBM BladeCenter(config)#
```

3. Enter the **ntp** command with
 - the **server-one** keyword
 - the IP address of the NTP server
 to assign a primary NTP server.

Example

```
IBM BladeCenter(config)# ntp server-one 10.2.0.13
```

4. (Optional, Recommended) Enter the **ntp** command with
 - the **server-two** keyword
 - the IP address of the NTP server
 to assign a secondary NTP server.

Example

```
IBM BladeCenter(config)# ntp server-two 10.2.0.14
```

5. (Optional, Recommended) Enter the **ntp** command with
 - the **server-three** keyword
 - the IP address of the NTP server
 to assign a tertiary NTP server.

Example

```
IBM BladeCenter(config)# ntp server-three 10.2.0.15
```

Connect Beyond BladeCenter

To extend your InfiniBand fabric beyond your BladeCenter cluster, you must configure the priority of the subnet manager (SM) on your Server Switch Module(s), then connect one or more of the external interfaces on your Server Switch Module(s) to an outside InfiniBand fabric.

The device with the highest SM priority becomes the master SM in the IB network. To configure SM priority, perform the following steps:

1. Enter the **enable** command to enter Privileged Exec mode.

Example

```
IBM BladeCenter> enable
IBM BladeCenter#
```

2. Enter the **configure terminal** command to enter Global Configuration mode.

Example

```
IBM BladeCenter# configure terminal
IBM BladeCenter(config)#
```

3. Enter the **ib sm** command with
 - the **subnet-prefix** keyword
 - the subnet prefix of the IB network to which the Server Switch belongs
 - the **priority** keyword
 - the priority (integer value) of the SM (where the higher the integer, the higher the priority)
 to configure the priority of the SM.

Example

```
IBM BladeCenter(config)# ib sm subnet-prefix fe:80:00:00:00:00:00:00 priority 1
```

After you configure your subnet manager priority, connect your Server Switch Module to the outside IB fabric. By default, the external interfaces on your Server Switch Module auto-negotiate speed with the fabric.



NOTE: If your connections auto-negotiate to the wrong speed, bring down the port and bring it back up. If the cable was not plugged in quickly enough, the subnet manager may incorrectly identify it.

Connecting InfiniBand Cables

To plug in an InfiniBand cable, push the connector into the interface until you hear/feel a click (Figure 2-1).



Figure 2-1: Connecting InfiniBand Cables

To remove a cable with a pull connector, grasp the connector with one hand and push it *toward* the port, then pull the latch away from the port with your other hand and gently wiggle the connector away from the port.

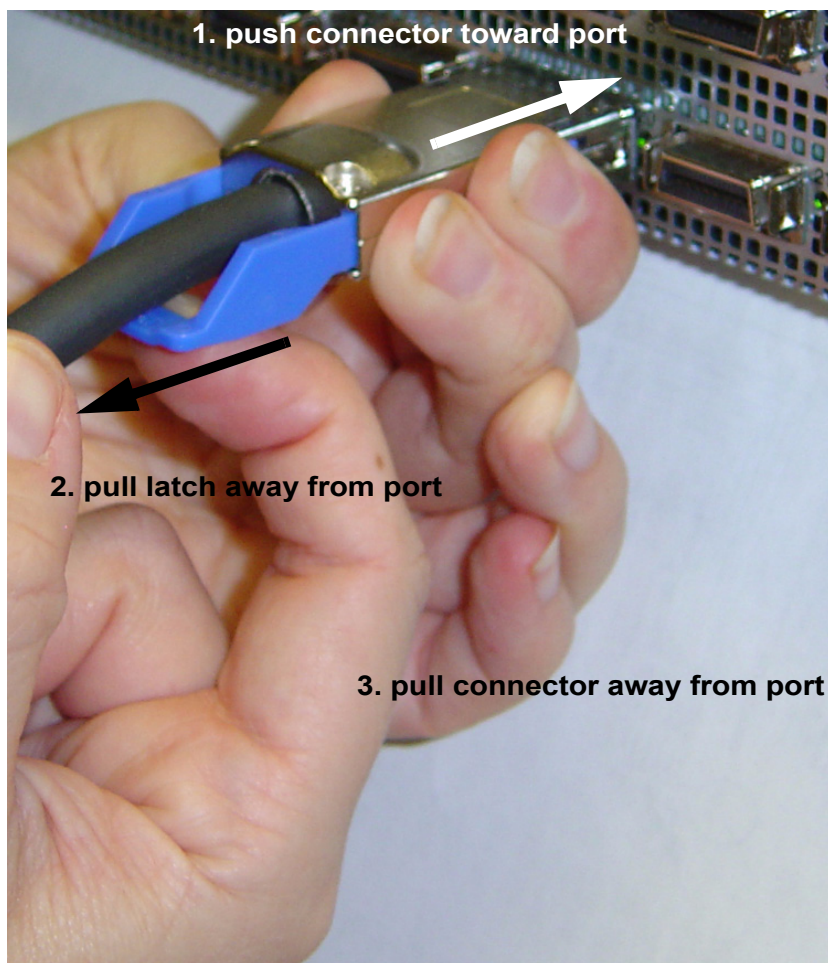


Figure 2-2: Removing a Pull Connector

Specifications and Compliance

This chapter details the Server Switch Module specifications and compliance certifications.

Safety Certifications

The Topspin Server Switch Module, model 99-00045-XX, is an UL Listed Accessory in accordance with the UL Standard for Safety for Information Technology and Telecommunications Equipment, UL 60950-1. It is intended for installation, in accordance with this manual, as an accessory for the following products:

- IBM Blade Server Shuttle model 8677-XXX (Enterprise)
- IBM Blade Server models 8720-1RX (Telco)
- IBM Blade Server models 8730-1RX (Telco)

Table 3-1: Safety Certifications

Certification
UL 60950-1, Listed Accessory
CSA C22.2 No. 60950-1-03
CE IEC 60950-1:2001, CB Scheme Certificate and Test Report

EMC/EMI Certifications

This equipment has been tested and found to comply with the limits for a Class A digital device, pursuant to Part 15 of the FCC Rules. These limits are designed to provide reasonable protection against harmful interference when the equipment is operated in a commercial environment. This equipment generates, uses, and can radiate radio frequency energy and, if not installed and used in accordance with the instruction manual, may cause harmful interference to radio communications. Operation of this

equipment in a residential area is likely to cause harmful interference in which case the user will be required to correct the interference at his own expense.

Table 3-2: EMC/EMI Certifications

Certification
FCC: Title 47 CFR 47 Part 15, Subpart B, Class A
ICES-003 Issue 2
CE: EN55022:1998 and EN55024:1998
VCCI: V3/2000.04, Class A
C-Tick: AS/NZS 3548:1995, Am.1:1997, Am.2:1997
BSMI
MIC Notice No. 1996-78
GOST 29216-91

Electrical Requirements


Table 3-3: DC Supply Requirements

Area	Requirement
DC Supply Voltage	12.0 Volts
DC Supply Current	2.1 Amps

Environmental Requirements

Table 3-4: Environmental Requirements

Area	Requirement
Module Operating Temperature	0 to +55 degrees C (module inlet)
Forced Air Cooling: Rate	8 CFM minimum
Forced Air Cooling: Inlet Velocity	315 LFM average
Module Non-Operating Temperature	-40 to +70 degrees C
Operating Altitude	0 to 4000 meters
Non-Operating Altitude	0 to 11,000 meters
Operating Humidity	5% to 85% non-condensing
Non-Operating Humidity	5% to 95% non-condensing
Operational Shock	3.5G for 3 mSec.
Operational Vibration	0.27G at 5Hz to 500Hz for 30 minutes
Storage Shock	50G with a velocity change of 3454 mm/sec squared
Storage Vibration	0.5G at 2Hz to 200Hz for 15 minutes

 **NOTE:** In the case of non-uniform air flow, the velocity at any point must meet or exceed 150 LFM.

Index

A

about the server switch module1

C

cable connection10
change the default password6
clock, setting7
configuration, initial5
configuring the server switch module5
connect IB cables10
connect to Topspin IB networks8

H

HCA expansion cards, about2

I

I/O module management6
IB cable connection10
initial configuration5
installing the server switch module5
IP address6

L

LEDs3
 port status4
 switch module status4

M

management interfaces3

N

new static IP configuration6
NTP, configuring8

P

password, changing6
port status LEDs4
ports, internal and external2

S

safety information ix
server switch module
 initial configuration5
 management3
 ports2
 status LEDs4
status LEDs4
subnet mask6
switch module
 about1
switch module status LEDs4
system clock, setting7

T

topology
 dual-switch2
 single-switch2

Free Manuals Download Website

<http://myh66.com>

<http://usermanuals.us>

<http://www.somanuals.com>

<http://www.4manuals.cc>

<http://www.manual-lib.com>

<http://www.404manual.com>

<http://www.luxmanual.com>

<http://aubethermostatmanual.com>

Golf course search by state

<http://golfingnear.com>

Email search by domain

<http://emailbydomain.com>

Auto manuals search

<http://auto.somanuals.com>

TV manuals search

<http://tv.somanuals.com>