

Nortel 10 Gigabit Uplink Ethernet Switch
Module for IBM BladeCenter



Installation Guide

Nortel 10 Gigabit Uplink Ethernet Switch
Module for IBM BladeCenter



Installation Guide

Note:

Before using this information and the product it supports, read the general information in Appendix A, "IBM Statement of Limited Warranty Z125-4753-08 04/2004," on page 43, and Appendix B, "Notices," on page 67.

First Edition (May 2006)

© Copyright International Business Machines Corporation 2006. All rights reserved.
US Government Users Restricted Rights – Use, duplication or disclosure restricted by
GSA ADP Schedule Contract with IBM Corp.

Download from Www.Somanuals.com. All Manuals Search And Download.

Contents

Safety	v
Chapter 1. Introduction	1
Specifications	2
Related documentation	2
Notices and statements used in this document	3
Major components of the GbE switch module	4
Information panel overview	5
LEDs	6
Chapter 2. Installing and removing the GbE switch module	9
Installation guidelines	9
System reliability considerations	10
Handling static-sensitive devices	10
Installing the GbE switch module	10
Removing the GbE switch module.	12
Chapter 3. Installing and removing options	15
Handling an XFP or SFP module	15
Installing an XFP module.	16
Removing an XFP module	18
Installing an SFP module	18
Removing an SFP module	19
Chapter 4. Cabling	21
Connecting the serial console cable	21
Disconnecting the serial console cable	21
Connecting the CX4 module cable	21
Disconnecting a CX4 module cable	22
Connecting an XFP module cable	22
Disconnecting the XFP module cable	24
Connecting the SFP module cable	24
Disconnecting an SFP module cable	24
Chapter 5. Configuring the GbE switch module	25
Establishing a TCP/IP session using the management module	27
Enabling management over external ports	28
Configuring the GbE switch module using Telnet.	28
Connecting to the GbE switch module	29
Accessing the main menu	29
Configuring the GbE switch module using the serial-port interface	29
Configuring the GbE switch module using the switch-module Browser Based Interface	30

Initial configuration	31
Logging in to the GbE switch module	32
Chapter 6. Updating the software	33
Determining the level of GbE switch module software	33
Obtaining the latest level of switch software	33
Upgrading the GbE switch module software	34
Resetting and restarting the GbE switch module	35
Chapter 7. Parts listing	37
Chapter 8. Solving problems	39
Running POST	39
POST errors	39
Chapter 9. Getting help and technical assistance.	41
Before you call	41
Using the documentation.	41
Getting help and information from the World Wide Web	42
Software service and support	42
Hardware service and support	42
Appendix A. IBM Statement of Limited Warranty Z125-4753-08 04/2004	43
Part 1 - General Terms.	43
Part 2 - Country-unique Terms	47
Part 3 - Warranty Information	62
Appendix B. Notices	67
Trademarks	68
Important notes	69
Product recycling and disposal	69
Battery return program	71
Electronic emission notices	71
Federal Communications Commission (FCC) statement.	71
Industry Canada Class A emission compliance statement	72
Australia and New Zealand Class A statement	72
United Kingdom telecommunications safety requirement	72
European Union EMC Directive conformance statement	72
Taiwanese Class A warning statement	73
Chinese Class A warning statement	73
Japanese Voluntary Control Council for Interference (VCCI) statement	73
Index	75

Safety

Before installing this product, read the Safety Information.

قبل تركيب هذا المنتج، يجب قراءة الملاحظات الأمنية

Antes de instalar este produto, leia as Informações de Segurança.

在安装本产品之前，请仔细阅读 **Safety Information** (安全信息)。

安裝本產品之前，請先閱讀「安全資訊」。

Prije instalacije ovog produkta obavezno pročitajte Sigurnosne Upute.

Před instalací tohoto produktu si přečtěte příručku bezpečnostních instrukcí.

Læs sikkerhedsforskrifterne, før du installerer dette produkt.

Lees voordat u dit product installeert eerst de veiligheidsvoorschriften.

Ennen kuin asennat tämän tuotteen, lue turvaohjeet kohdasta Safety Information.

Avant d'installer ce produit, lisez les consignes de sécurité.

Vor der Installation dieses Produkts die Sicherheitshinweise lesen.

Πριν εγκαταστήσετε το προϊόν αυτό, διαβάστε τις πληροφορίες ασφάλειας (safety information).

לפני שתתקינו מוצר זה, קראו את הוראות הבטיחות.

A termék telepítése előtt olvassa el a Biztonsági előírásokat!

Prima di installare questo prodotto, leggere le Informazioni sulla Sicurezza.

製品の設置の前に、安全情報をお読みください。

본 제품을 설치하기 전에 안전 정보를 읽으십시오.

Пред да се инсталира овој продукт, прочитајте информацијата за безбедност.

Les sikkerhetsinformasjonen (Safety Information) før du installerer dette produktet.

Przed zainstalowaniem tego produktu, należy zapoznać się z książką "Informacje dotyczące bezpieczeństwa" (Safety Information).

Antes de instalar este produto, leia as Informações sobre Segurança.

Перед установкой продукта прочтите инструкции по технике безопасности.

Pred inštaláciou tohto zariadenia si pečítajte Bezpečnostné predpisy.

Pred namestitvijo tega proizvoda preberite Varnostne informacije.

Antes de instalar este producto, lea la información de seguridad.

Läs säkerhetsinformationen innan du installerar den här produkten.

Statement 1:



DANGER

Electrical current from power, telephone, and communication cables is hazardous.

To avoid a shock hazard:

- Do not connect or disconnect any cables or perform installation, maintenance, or reconfiguration of this product during an electrical storm.
- Connect all power cords to a properly wired and grounded electrical outlet.
- Connect to properly wired outlets any equipment that will be attached to this product.
- When possible, use one hand only to connect or disconnect signal cables.
- Never turn on any equipment when there is evidence of fire, water, or structural damage.
- Disconnect the attached power cords, telecommunications systems, networks, and modems before you open the device covers, unless instructed otherwise in the installation and configuration procedures.
- Connect and disconnect cables as described in the following table when installing, moving, or opening covers on this product or attached devices.

To Connect:

1. Turn everything OFF.
2. First, attach all cables to devices.
3. Attach signal cables to connectors.
4. Attach power cords to outlet.
5. Turn device ON.

To Disconnect:

1. Turn everything OFF.
2. First, remove power cords from outlet.
3. Remove signal cables from connectors.
4. Remove all cables from devices.

Chapter 1. Introduction

The Nortel 10 Gigabit Uplink Ethernet Switch Module for IBM® BladeCenter® is an I/O module that is installed into a BladeCenter unit. This *Installation Guide* contains information about installing and configuring the Nortel 10 Gigabit Uplink Ethernet Switch Module for IBM BladeCenter.

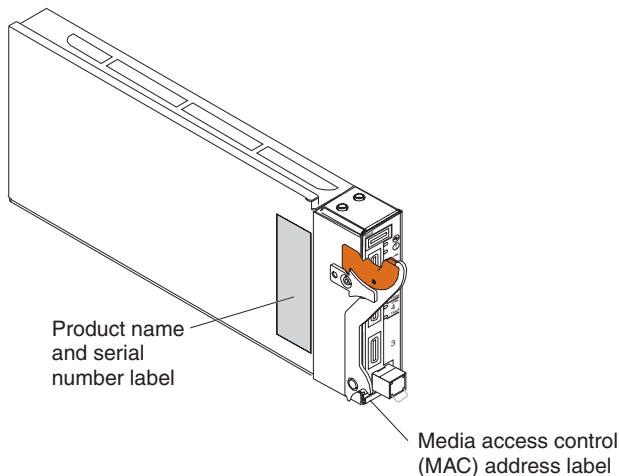
Note: Throughout this document, the Nortel 10 Gb Uplink Ethernet Switch Module for IBM BladeCenter is referred to as the GbE switch module.

For installation details, see Chapter 2, “Installing and removing the GbE switch module,” on page 9 and Chapter 3, “Installing and removing options,” on page 15. For additional information, see the instructions in the BladeCenter documentation.

The product name and serial number are on the identification label on the GbE switch module. You will need this information when you register your GbE switch module with IBM. The media access control (MAC) address is on a separate label on the information panel under the external Ethernet port connectors.

See the following illustration for the locations of the identification label and the MAC address label.

Note: The illustrations in this document might differ from your hardware.



You can obtain up-to-date information about the BladeCenter and other IBM server products at <http://www.ibm.com/support/>. Record information about your GbE switch in the following table:

Product name	Nortel 10 Gigabit Uplink Ethernet Switch Module for IBM BladeCenter
Serial number	_____
Media access control (MAC) address	_____

Specifications

This section provides a summary of the specifications of the GbE switch module. For more information about the features, see the *Nortel 10 Gigabit Uplink Ethernet Switch Module for IBM BladeCenter Application Guide* available at <http://www.ibm.com/support/>.

Related documentation

In addition to this document, the following related documentation is provided in PDF format on the Documentation CD that comes with your BladeCenter unit or available at <http://www.ibm.com/support/>.

- *Safety Information*

This document is in Portable Document Format (PDF) on the *Documentation CD* that comes with your GbE switch module and is provided at <http://www.ibm.com/support/>. It contains translated caution and danger statements. Each caution and danger statement that appears in the documentation has a number that you can use to locate the corresponding statement in your language in the *Safety Information* document.

- *Nortel 10 Gb Uplink Ethernet Switch Module for IBM BladeCenter Application Guide*

This application document contains software configuration information for the GbE switch module.

- *Nortel 10 Gb Uplink Ethernet Switch Module for IBM BladeCenter Browser Based Interface Quick Guide*

This *Quick Guide* contains information about software configuration using the Nortel Browser Based Interface.

- *Nortel 10 Gb Uplink Ethernet Switch Module for IBM BladeCenter Command Reference*

This *Command Reference* document contains information to configure your GbE switch module using the command line interface (CLI).

- *User's Guide* that comes with your management module.
This document contains information for configuring your GbE switch module using the management-module user interface.
- *IBM BladeCenter Management Module Command Line Reference Guide*
This document contains information for configuring your GbE switch module using the management-module CLI.

In addition to reviewing these documents, make sure to review the *Planning and Installation Guide* for your BladeCenter unit type for information to help you prepare for system installation and configuration at <http://www.ibm.com/support/>.

For BladeCenter units with four I/O-module bays, you must also install an Ethernet-I/O card (also known as an Ethernet expansion card) in the blade server to support the GbE switch module in I/O-module bays 3 or 4. For information about the types of compatible I/O-expansion cards for the blade servers, see the documentation for your BladeCenter unit.

Notices and statements used in this document

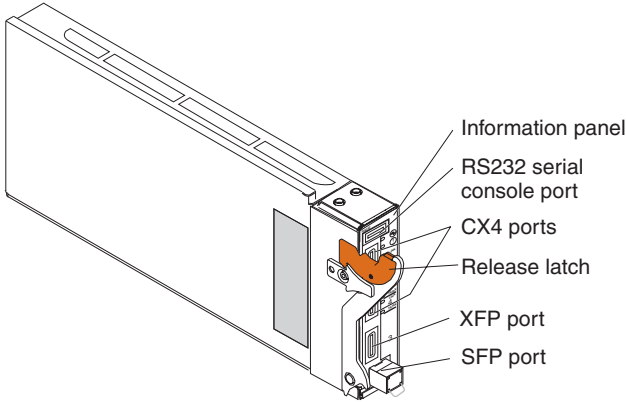
The caution and danger statements that appear in this document are also in the multilingual *Safety Information* document, which is on the *Documentation* CD that comes with your BladeCenter unit. Each statement is numbered for reference to the corresponding statement in the *Safety Information* document.

The following types of notices and statements are used in this document:

- **Note:** These notices provide important tips, guidance, or advice.
- **Important:** These notices provide information or advice that might help you avoid inconvenient or problem situations.
- **Attention:** These notices indicate possible damage to programs, devices, or data. An attention notice is placed just before the instruction or situation in which damage could occur.
- **Caution:** These statements indicate situations that can be potentially hazardous to you. A caution statement is placed just before the description of a potentially hazardous procedure step or situation.
- **Danger:** These statements indicate situations that can be potentially lethal or extremely hazardous to you. A danger statement is placed just before the description of a potentially lethal or extremely hazardous procedure step or situation.

Major components of the GbE switch module

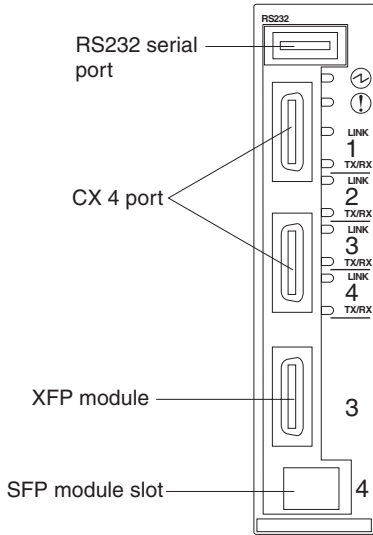
Orange on the release latch on the GbE switch module indicates that the device can be hot-swapped, which means that you can install or remove this component while the BladeCenter unit power is turned on. See Chapter 3, "Installing and removing options," on page 15 for more information about installing and removing a GbE switch module.



Information panel overview

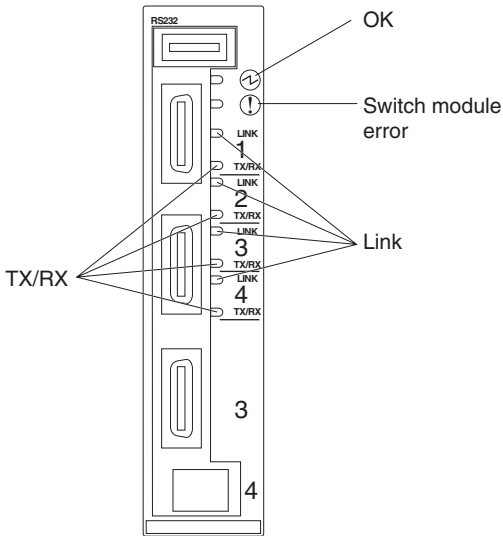
The information panel provides LEDs, which display the status of the GbE switch module and the network (see “LEDs” on page 6) and external connections for the GbE switch module.

The following illustration shows the information panel of the GbE switch module.



LEDs

In addition to the OK and GbE switch module error LEDs on the information panel, each external port on the GbE switch module has a TX/RX LED and a LINK LED. The following illustration shows the LEDs on the GbE switch module. A description of each LED follows the illustration.



Note: An amber LED is lit when a system error or event has occurred. To identify the error or event, check the management module event log. For additional information, see Chapter 8, “Solving problems,” on page 39.

OK: When this green status LED is lit, it indicates that the GbE switch module has passed the power-on self-test (POST) with no critical faults and is operational.

Switch module error: When this amber status LED is lit, it indicates that the GbE switch module has a fault. If the GbE switch module fails the POST or detects an operational fault, this LED is lit.

Note: When this LED is lit, the system-error LED on the BladeCenter unit is also lit.

Link: When this green link status LED is lit on a port, it indicates that there is a connection (or link) to a device on that connector.

TX/RX: When this green activity LED flashes on a connector, it indicates that data is being transmitted or received (that is, activity is occurring) between

that port and another device on the network link. The flashing frequency is proportional to the amount of traffic on the network link.

Chapter 2. Installing and removing the GbE switch module

See the *Installation and User's Guide* for your BladeCenter unit for information about the I/O-module bay locations in the BladeCenter unit and specific requirements for installing I/O modules in your BladeCenter unit.

Attention: To maintain proper system cooling, each I/O-module bay must contain either a module or a filler module; each blade bay must contain either a blade or a filler blade.

The BladeCenter unit supports one hot-plug GbE switch module, in I/O-module bay 1. The GbE switch module in I/O-module bays 1 and 2 are for the integrated Ethernet controllers in the appropriate blade servers. You might want to install GbE switch modules in other I/O-module bays of the BladeCenter unit when additional Ethernet controllers are installed or activated.

For additional information about the location of the GbE switch module, the network interface requirements, and expansion options, see the documentation for your BladeCenter unit and your blade servers.

Installation guidelines

Before you begin to install the GbE switch module in the BladeCenter unit, read the following information:

- Read the safety information beginning on page v and the guidelines in “Handling static-sensitive devices” on page 10, and read the safety statements in the BladeCenter unit documents.
- Orange on the release latch on the GbE switch module indicates that the device can be hot-swapped, which means that you can install or remove this component while the BladeCenter unit is on. See the instructions in this chapter for more information about installing or removing hot-swap or hot-plug components.
- You do not have to turn off the BladeCenter unit to install or replace any of the hot-swap modules on the rear of the unit.
- If you plan to install a GbE switch module in I/O-module bay 3 or 4 of the BladeCenter unit, you must also install an I/O expansion card in the blade server to support the GbE switch modules in these bays.

System reliability considerations

To help ensure proper cooling and system reliability, make sure that:

- Each of the I/O-module bays on the rear of the BladeCenter unit has either a module or a filler module installed.
- A removed hot-swap module or blade server is replaced with another module or filler module within 1 minute of removal.

Handling static-sensitive devices

Attention: Static electricity can damage electronic devices. To avoid damage, keep static-sensitive devices in their static-protective packages until you are ready to install them.

To reduce the possibility of electrostatic discharge, observe the following precautions:

- Limit your movement. Movement can cause static electricity to build up around you.
- Handle the device carefully, holding it by its edges or its frame.
- Do not touch solder joints, pins, or exposed printed circuitry.
- Do not leave the device where others can handle and damage it.
- While the device is still in its static-protective package, touch it to any *unpainted* metal surface of the BladeCenter unit or any *unpainted* metal surface on any other grounded rack component for at least 2 seconds. (This drains static electricity from the package and from your body.)
- Remove the device from its package and install it directly into the BladeCenter unit without setting it down. If it is necessary to set down the device, put it back into its static-protective package. Do not place the device on the BladeCenter unit or on a metal surface.
- Take additional care when handling devices during cold weather. Heating reduces indoor humidity and increases static electricity.

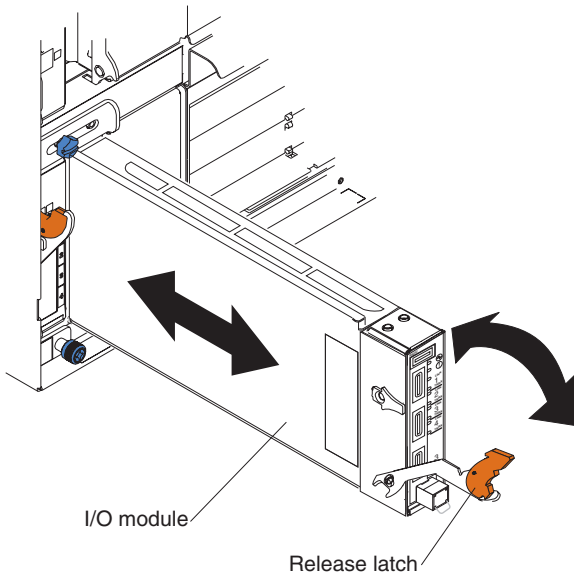
Installing the GbE switch module

To install the GbE switch module, complete the following steps:

1. Read the safety information beginning on page v and “Installation guidelines” on page 9.
2. Remove the acoustic-attenuation module, if one is installed, from the rear of the BladeCenter unit. For more information, see the documentation that came with the BladeCenter unit.
3. Select an I/O-module bay in which to install the GbE switch module.

Note: For details about I/O-module bay requirements, see the BladeCenter documents for your BladeCenter unit.

4. Remove the filler module from the selected bay. Store the filler module for future use.
5. If you have not already done so, touch the static-protective package that contains the GbE switch module to any *unpainted* metal surface of the BladeCenter unit or any *unpainted* metal surface on any other grounded rack-component for at least 2 seconds.
6. Remove the GbE switch module from its static-protective package.
7. Make sure that the release latch on the GbE switch module is in the open position (perpendicular to the module).
8. Slide the GbE switch module into the applicable I/O-module bay until it stops.



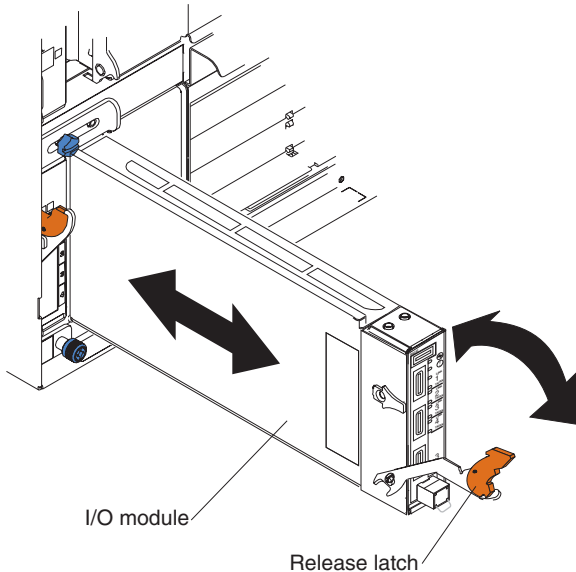
9. Push the release latch on the front of the GbE switch module to the closed position. After you insert and lock the GbE switch module, it is turned on, and the power-on self-test (POST) runs to verify that the GbE switch module is operating correctly. The POST results are displayed by the status LEDs.
10. Make sure that the LEDs on the GbE switch module indicate that it is operating correctly. Make sure that the OK LED on each GbE switch module is lit. See "LEDs" on page 6 for a description of the operation of these LEDs.
11. If you have other GbE switch modules to install, do so now; otherwise, go to step 12.

12. Attach any cables that are required by the GbE switch module, see Chapter 4, “Cabling,” on page 21. For the locations of the connectors on the BladeCenter unit, see the documents that came with the BladeCenter unit.
13. Replace the acoustic-attenuation module, if you removed it in Step 2.

Removing the GbE switch module

To remove the GbE switch module, complete the following steps:

1. Read the safety information beginning on page v and “Installation guidelines” on page 9.
2. Remove the acoustic-attenuation module, if one is installed, from the rear of the BladeCenter unit. For more information, see the documents that came with the BladeCenter unit.
3. Disconnect any cables from the GbE switch module that you are removing.
4. Pull the release latch toward the bottom of the GbE switch module as shown in the following illustration. The module moves out of the bay approximately 0.64 cm (0.25 inch).



5. Slide the GbE switch module out of the bay and set it aside.
6. Place either another GbE switch module or a filler module in the bay within 1 minute.
7. If you placed another GbE switch module in the bay, reconnect any cables that you disconnected. For more information about cabling the 10GbE switch module, see Chapter 4, “Cabling,” on page 21.

8. Replace the acoustic-attenuation module, if you removed it in Step 2 on page 10.

Chapter 3. Installing and removing options

The GbE switch module supports the 10 Gigabit small-form-factor pluggable (XFP) module and the small-form-factor pluggable (SFP) module. The XFP module is a laser product that is used to convert electrical signals to optical signals. The SFP module provides an RJ-45 port for external connections. The GbE switch module ships with the SFP module installed.

For additional information about the location of the GbE switch module, the network interface requirements, and expansion options, see the documentation for your BladeCenter unit.

Handling an XFP or SFP module

Before installing an XFP or SFP module, read the following information:

- The module housing of the XFP and SFP has an integral guide key that is designed to prevent you from inserting the modules incorrectly.
- Use minimal pressure when you insert the modules into the ports. Forcing the modules into the ports can cause damage to the module or the module port.
- You can insert or remove the modules while the BladeCenter is turned-on.
- You must first insert the modules into the ports before you can connect the cables.
- You must remove the cables from the modules before removing the modules from the GbE switch module.

Statement 3:



CAUTION:

When laser products (such as CD-ROMs, DVD drives, fiber optic devices, or transmitters) are installed, note the following:

- Do not remove the covers. Removing the covers of the laser product could result in exposure to hazardous laser radiation. There are no serviceable parts inside the device.
- Use of controls or adjustments or performance of procedures other than those specified herein might result in hazardous radiation exposure.



DANGER

Some laser products contain an embedded Class 3A or Class 3B laser diode. Note the following.

Laser radiation when open. Do not stare into the beam, do not view directly with optical instruments, and avoid direct exposure to the beam.



Class 1 Laser Product
Laser Klasse 1
Laser Klass 1
Luokan 1 Laserlaite
Appareil À Laser de Classe 1

Installing an XFP module

The XFP module provides two fiber-optic cable connectors for connecting to external ports. To install an XFP module, complete the following steps:

1. Read the information in “Safety” on page v.
2. Remove the XFP module from its static-protective package.

Statement 3:



CAUTION:

When laser products (such as CD-ROMs, DVD drives, fiber optic devices, or transmitters) are installed, note the following:

- Do not remove the covers. Removing the covers of the laser product could result in exposure to hazardous laser radiation. There are no serviceable parts inside the device.
- Use of controls or adjustments or performance of procedures other than those specified herein might result in hazardous radiation exposure.



DANGER

Some laser products contain an embedded Class 3A or Class 3B laser diode. Note the following.

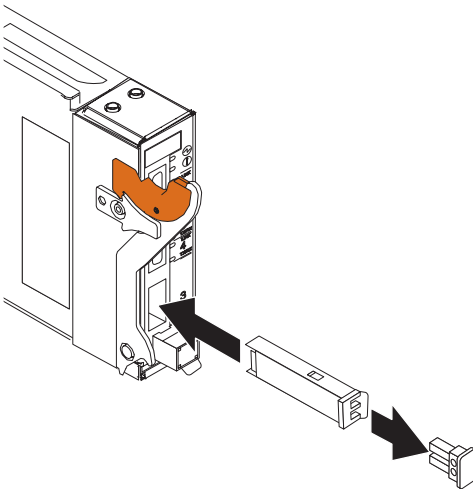
Laser radiation when open. Do not stare into the beam, do not view directly with optical instruments, and avoid direct exposure to the beam.



Class 1 Laser Product
Laser Klasse 1
Laser Klass 1
Luokan 1 Laserlaite
Appareil À Laser de Classe 1

3. Remove the protective cap from the XFP module and store it in a safe place.
4. Insert the XFP module into the XFP module port until it clicks into place.

Note: The illustrations in this document might differ from your device.



Attention: To avoid damage to the cable or the XFP module, make sure that you do not connect the fiber-optic cable *before* you install the XFP module.

5. Connect the fiber-optic cable (see “Connecting an XFP module cable” on page 22 and any cables you disconnected earlier).

Removing an XFP module

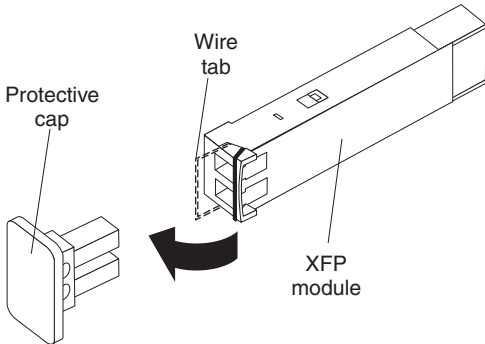
To remove an XFP module, complete the following steps:

1. Read the safety information beginning on page v and “Installation guidelines” on page 9.
2. Read the information in “Handling an XFP or SFP module” on page 15.
3. Remove the fiber-optic cable from the XFP module that you want to replace. For more information about removing the cable, see “Disconnecting the XFP module cable” on page 24.

Attention: To avoid damage to the cable or the XFP module, make sure that you disconnect the fiber-optic cable *before* you remove the XFP module.

4. Unlock the XFP module by pulling the wire tab straight out as shown in the following illustration.

Note: The illustrations in this document might differ from your device.



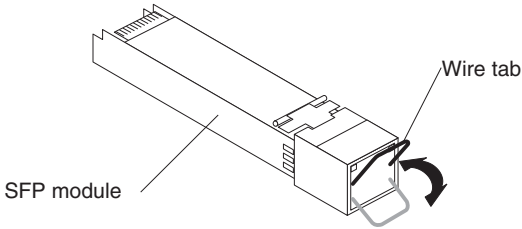
5. Grasp the wire tab on the XFP module and pull it out of the port.
6. Replace the protective cap on the XFP module.
7. Place the XFP module into a static-protective package.

Installing an SFP module

The SFP module provides a RJ-45 connector for external connections. To install an SFP module, complete the following steps:

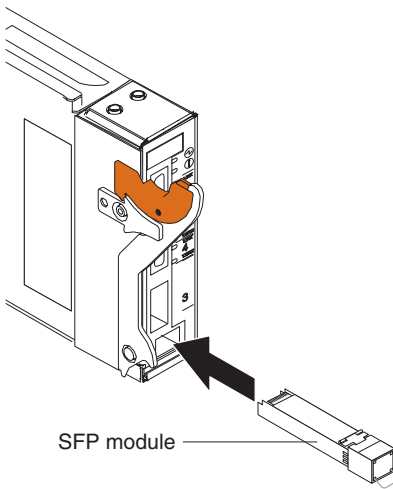
1. Read the information in “Safety” on page v.
2. Remove the SFP module from its static-protective package.
3. Lock the SFP module by pulling the wire tab straight out and down as shown in the following illustration.

Note: The illustrations in this document might differ from your device.



4. Insert the SFP module into the SFP module port until it clicks into place.

Note: The illustrations in this document might differ from your device.



Attention: To avoid damage to the cable or the SFP module, make sure that you do not connect the fiber-optic cable *before* you install the SFP module.

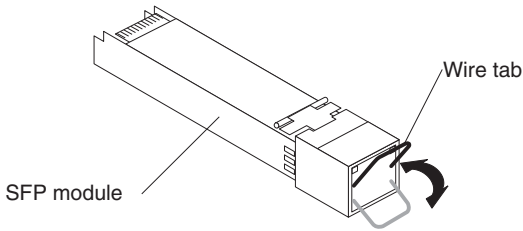
5. Connect the RJ-45 cable and any cables you disconnected earlier. For more information about connecting the cable, see “Connecting the SFP module cable” on page 24.

Removing an SFP module

To remove an SFP module from the GbE switch module, complete the following steps:

1. Read the safety information beginning on page v and “Installation guidelines” on page 9.

2. Read the information in “Handling an XFP or SFP module” on page 15.
3. Remove any cables attached to the SFP module.
4. Unlock the SFP module by pulling the wire tab straight out and up as shown in the following illustration.



5. Grasp the wire tab on the SFP module and pull it out of the SFP module port.
6. Place the SFP module into a static-protective package.

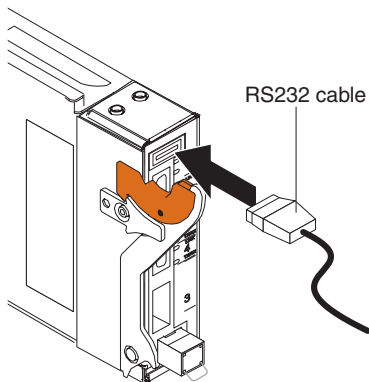
Chapter 4. Cabling

This chapter describes how to cable the GbE switch module and its options.

Connecting the serial console cable

To connect the serial console cable to the GbE switch module, connect the serial cable to the RS-232 serial console port of the GbE switch module and the other end of the cable to the console device.

Note: The illustrations in this document might differ from your device.



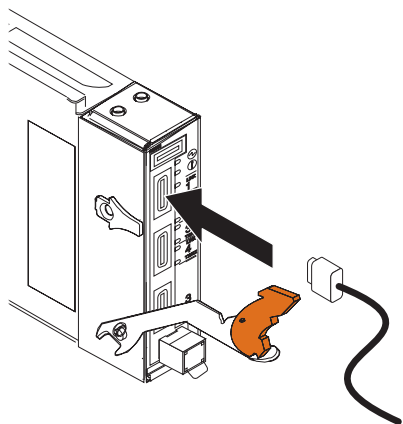
Disconnecting the serial console cable

To disconnect the serial console cable, gently pull the cable from the module.

Connecting the CX4 module cable

To connect a CX4 module cable to the GbE switch module, complete the following steps:

1. Remove the cable from its packaging.
2. Connect the CX4 connector to the CX4 port by orienting the cable connector to the module connector, then push the connector into the module until it clicks into place.



3. Check the LEDs on the GbE switch module. When the GbE switch module is operating correctly, the green link LED is lit. For information about the status of the switch module LEDs, see "LEDs" on page 6.

Disconnecting a CX4 module cable

To disconnect a CX4 cable, grasp the blue release tab on the cable connector and firmly pull it out of the module.

Connecting an XFP module cable

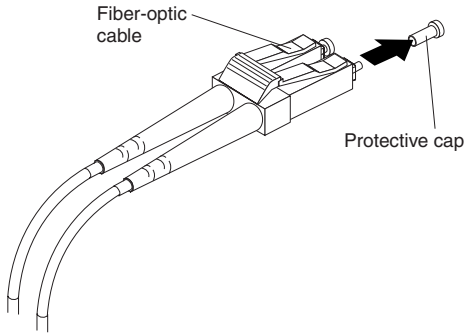
Attention: To avoid damage to the fiber-optic cables, follow these guidelines:

- Do not route the cable along a folding cable-management arm.
- When attaching the cable to a device on slide rails, leave enough slack in the cable so that it does not bend to a radius of less than 38 mm (1.5 in.) when the device is extended or become pinched when the device is retracted.
- Route the cable away from places where it can be snagged by other devices in the rack.
- Do not overtighten the cable straps or bend the cables to a radius of less than 38 mm (1.5 in.).
- Do not put excess weight on the cable at the connection point. Make sure that the cable is well supported.

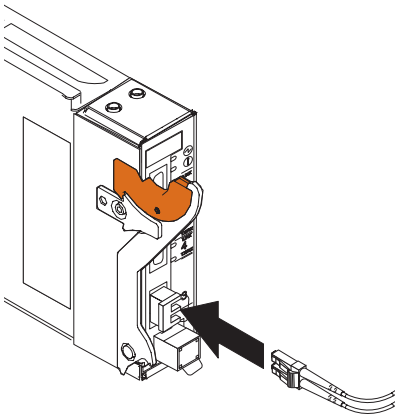
To connect the XFP module cable, complete the following steps:

Note: The illustrations in this document might differ slightly from your hardware.

1. Remove the protective caps from the end of the fiber-optic cable.



2. Gently slide the fiber-optic cable into the XFP module until it clicks into place.



3. Check the LEDs on the GbE switch module. When the GbE switch module is operating correctly, the green link LED is lit. For information about the status of the switch module LEDs, see "LEDs" on page 6.

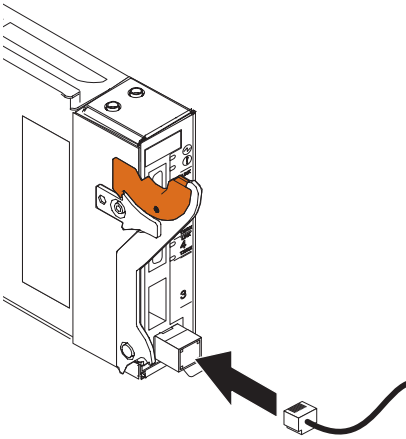
Disconnecting the XFP module cable

To disconnect an XFP module cable, complete the following steps:

1. Squeeze the release tabs and gently pull the fiber-optic cable from the XFP module.
2. Replace the protective caps on the ends of the fiber-optic cable.

Connecting the SFP module cable

To connect the SFP module cable, slide an RJ-45 cable into the SFP module connector until it clicks.



Disconnecting an SFP module cable

To remove an RJ-45 cable from an SFP module, gently grasp the tab on the connector of the cable and pull the cable out of the SFP module.

Chapter 5. Configuring the GbE switch module

The GbE switch module has an internal Ethernet path to the management module, four external Ethernet ports, and a serial console port. The GbE switch module supports two remote-access modes for management through Ethernet connections. You can select the mode that is best suited for your BladeCenter environment.

- **Default mode:** The default mode uses the internal path to the management module only. In this mode, the remote-access link to the management console must be attached to the Ethernet connector on the management module. The IP addresses and SNMP parameters of the GbE switch modules can be automatically assigned by the IBM Director BladeCenter Deployment wizard (when available), or you must assign them through the BladeCenter Management and Configuration Program. This mode enables the system administrator to provide a secure LAN for management of the BladeCenter subsystems that is separate from the data network. See “Establishing a TCP/IP session using the management module” on page 27 for more information.
- **Remote management mode:** The system administrator can choose to enable remote management of the GbE switch module through the four external ports, instead of or in addition to access through the management module. This mode can be enabled only through the management module configuration interface. When this mode is enabled, the external Ethernet ports will support both management traffic and BladeCenter application data traffic.

This mode enables the use of additional GbE switch module IP addresses on different IP subnets than the management modules. This is useful when the GbE switch modules are to be managed and controlled as part of the overall network infrastructure, while secure management of other BladeCenter subsystems is maintained through the management module. See “Enabling management over external ports” on page 28 for additional instructions about configuring the GbE switch module for this mode of operation.

The RS-232 console port provides an alternative path to manage and configure the switch for local access.

Important:

- Before you configure the GbE switch module, make sure that the management modules in the BladeCenter unit are correctly configured. See the *Installation and User's Guide* for your BladeCenter unit type for more information about configuring the GbE switch module.

- The default IP address of the GbE switch module is 192.168.70.127, 192.168.70.128, 192.168.70.129, or 192.168.70.130, depending on the switch module bay where it is installed.
- If you change the IP address of the GbE switch module and restart the BladeCenter unit, the GbE switch module maintains this new IP address as its default value.
- The management module and the GbE switch module can communicate with each other only if they are on the same IP subnet.
- When you use the management-module Web interface to update the switch-module configuration, the management-module firmware saves the new configuration in its internal nonvolatile random-access memory (NVRAM). If the GbE switch module restarts, the management module applies the saved configuration to the GbE switch module.
If the GbE switch module restarts and the management module cannot apply the saved configuration, the GbE switch module defaults to using the configuration that it had previously saved. If the IP subnet address of the GbE switch module does not match the IP subnet address of the management module, you can no longer manage the GbE switch module from the management module.
- For switch communication with a remote management station, such as the IBM Director server, through the management-module external Ethernet port, the switch-module internal-network interface and the management-module internal and external interfaces must be on the same IP subnet.

See the documentation listed in the “Related documentation” on page 2 for specific details about configuring the GbE switch module and preparing for system installation.

Establishing a TCP/IP session using the management module

To establish a TCP/IP session for the GbE switch module using the management module, complete the following steps:

1. Log on to the management module as described in the *User's Guide* or *Command Line Interface Reference Guide* for your management module. If necessary, obtain the IP address of the management module from your system administrator. The management-module window opens.

Note: The User ID and Password fields are case-sensitive. Type your information in uppercase letters only. To maintain system security, change your password after you log on for the first time. The default User ID is USERID and the default password is PASSWORD (where the O in password is a zero).

2. From the **I/O Module Tasks** menu, click **Configuration**.
3. In the **I/O Module Configuration** section, click the bay number that corresponds to the location of the GbE switch module that you installed.
4. In the **IP address** field in the **New Static IP Configuration** section, type the new TCP/IP address of the GbE switch module; then, click **Save**.

Note: The management module does not check for invalid IP addresses.

5. Click **Advanced Configuration**. You can now start a Web session or a Telnet session.

The Web interface and the Telnet program provide different ways to access the same internal-switching software and configure it.

- If your system application requires that you use the Web interface program, see “Configuring the GbE switch module using the switch-module Browser Based Interface” on page 30 for additional information.
- If your system application requires that you use the Telnet program, see “Configuring the GbE switch module using Telnet” on page 28 for additional information.

Enabling management over external ports

To access and manage your GbE switch module through external interfaces, you must enable the external ports and the ability to manage them. Use the information in the following table to configure your ports.

External management	External ports	Description
Disabled	Disabled	The switch must be managed through the management module. No traffic is allowed on external ports.
Disabled	Enabled	The switch must be managed through the management module. Data traffic is allowed on external ports.
Enabled	Disabled	The switch can be managed through the management module or a blade server. No traffic is allowed on external ports.
Enabled	Enabled	The switch can be managed through the management module, a blade server, or a management station connected through an external port. Data traffic is allowed on external ports.

To enable management over external ports, complete the following steps:

1. Log on to the management module as described in the *User's Guide* or *Command Line Interface Reference Guide* for your management module. If necessary, obtain the IP address of the management module from your system administrator. The management-module window opens.
2. Click **I/O Module Tasks** → **Configuration** and click the bay number that corresponds to the location of the GbE switch module that you installed.
3. Click **Advanced Configuration** and ensure that the external management is enabled.
4. Click **I/O Module Tasks** → **Admin/Power/Restart** and ensure that the ports are enabled for the GbE switch module that you installed.

Configuring the GbE switch module using Telnet

Your GbE switch module supports a command line interface (CLI) that you can use to configure and control the GbE switch module over the network using the Telnet program. You can use the CLI to perform many basic network management functions. In addition, you can configure the GbE switch module

for management using an SNMP-based network management system. The following sections describe how to use the Telnet interface to access the GbE switch module, change its settings, and monitor its operation.

Connecting to the GbE switch module

If you know the IP address for your GbE switch module and you have an existing network connection, you can use the Telnet program from an external management station or the management module to access and control the GbE switch module. The management station and your GbE switch module must be on the same IP subnet. If you need to obtain the IP address for your GbE switch module or establish a network connection, contact your system or network administrator. Be sure to use the correct IP address in the required command, as specified in “Accessing the main menu.”

Accessing the main menu

To connect to the GbE switch module using Telnet, complete the following steps:

1. From a DOS command line prompt, type **telnet x** and press **Enter**, where *x* is the IP address for your GbE switch module.
2. If you do not have an assigned initial password, in the **Password** field, type the default password (**admin**) and press **Enter**.

Important: The **apply** command changes the currently active configuration. If you want your change to persist beyond the next reboot of the switch, you must enter the **save** command. This command stores the current switch configuration and all changes in non-volatile memory.

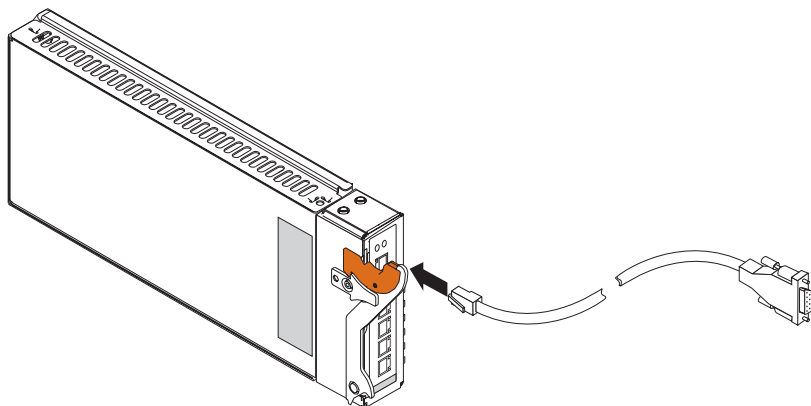
For more information about configuring using the CLI, see the *Nortel 10 Gigabit Uplink Ethernet Switch Module for IBM BladeCenter Command Reference* guide.

Configuring the GbE switch module using the serial-port interface

The serial port provides basic communication RS-232 serial-data-transfer using a terminal emulation program (such as Hyperterminal). Since messages from the Power On Self Test (POST) and all initialization information is routed through the serial port, you can use the serial port to log into the GbE switch module and access and configure the internal switching software.

To log into the GbE switch module, complete the following steps

1. Plug one end of the specifically designed serial cable that came with your device into the RS-232 port and plug the other end into the management station.



2. On the management station, open a console window and make sure that the serial port is configured with the following settings:
 - 9600 baud
 - 8 data bits
 - No parity
 - 1 stop bit
 - No flow control
3. Type the user name and password. The default user name is admin. The default password is admin.

The serial port is compatible with the standard 16550 Universal Asynchronous Receiver/Transmitter (UART) protocol. The RS-232 serial port is enabled by default.

Configuring the GbE switch module using the switch-module Browser Based Interface

This section describes how to use the GbE switch module Browser Based Interface (BBI) to access and configure the internal switching software. For more information on the BBI, see the *Nortel 10 Gb Uplink Ethernet Switch Module for IBM BladeCenter Browser Based Interface Quick Guide*.

This section also describes some of the Web interface switch-module management features.

The GbE switch module offers an embedded HTML, browser-based interface that you can use to manage the switch through Netscape Navigator and Communicator, or Microsoft® Internet Explorer. This interface is enabled by default. The browser-based interface acts as an access tool and can

communicate directly with the switch using HTTP. Your computer might have to access and install a Java plug-in (JRE 1.4.0) to run without errors. Later versions of the JRE might work but are not officially supported.

Note: This interface does not accept Chinese language input (or other double-byte character-set languages).

Before you can access and start the Browser Based Interface, make sure that you have completed the following procedures:

- Install the GbE switch module in the BladeCenter unit
- Verify that the GbE switch module software is installed on the GbE switch module
- Configure at least one IP interface on the GbE switch module
- Enable the frames and the JavaScript™ program in your Web browser
- The following hardware and software are required for the Web interface:
 - A frame-capable Web-browser program, such as Internet Explorer (version 6.0 or later) or Netscape Navigator (version 4.7 or later)
 - A computer or workstation with network access to the GbE switch module

To start the Browser based interface, complete the following steps:

1. Start a Web browser. The Web-browser window opens.
2. In the **URL** field, enter the IP address of the GbE switch module, in the following format `http://xxx.xxx.xxx.xxx`. The login window opens.
3. Enter your user ID and password and click **OK**. The default user ID is `admin`. The default password is `admin`.

Note: The passwords used to access the GbE switch module are case-sensitive. To increase system security, change the password after you log on for the first time.

Initial configuration

The operating software on the GbE switch module contains default configuration files that are installed during in the software installation. These initial configuration settings are not located in a separate configuration file, but are components of the software. When you restore the management module to factory defaults, the user defined configuration file is deleted and the original configuration is reloaded. For more information about configuring and managing the GbE switch module through the management module, see the *Nortel 10 Gigabit Uplink Ethernet Switch Module Command Reference* guide.

Logging in to the GbE switch module

The GbE switch module supports user-based security that allows you to prevent unauthorized users from accessing the switch or changing its settings.

To log in to the GbE switch module, complete the following steps:

1. At the prompt, type your user ID and press **Enter**. The default user ID is `admin`.
2. Type your password (default is `admin`) and press **Enter**. The default password is `admin`. The main-menu window opens.

After you log on to the GbE switch module, you must set the date and time. See the *Nortel 10 Gb Uplink Ethernet Switch Module Command Reference* guide to perform this task and others as needed.

Chapter 6. Updating the software

This chapter describes how to determine the level of the software that is installed on the GbE switch module, how to obtain the latest level of switch software, how to upgrade the software, and how to reset the GbE switch module to activate the software upgrade.

Determining the level of GbE switch module software

After you install the GbE switch module in the BladeCenter unit, make sure that the latest software is installed on the GbE switch module. To determine the level of the software that is installed, complete the following steps:

1. Log on to the management module as described in the *User's Guide* or *Command Line Interface Reference Guide* for your management module. If necessary, obtain the IP address of the management module from your system administrator. The login window opens.
2. From the **Monitors** menu, click **Firmware VPD**. The Firmware VPD window opens.
3. Locate the **I/O Module Firmware VPD** section.
4. Locate the I/O module-bay number that contains the GbE switch module that you installed; then, note the corresponding level of the software for the GbE switch module.

Obtaining the latest level of switch software

The switch module might have features that are not described in the documentation that comes with the switch, and the documentation might be updated occasionally to include information about those features or technical updates. If firmware and documentation updates are available you can locate them at <http://www.ibm.com/support/>. For firmware updates, click **Downloads and drivers**.

Note: Changes are made periodically to the IBM Web site. The procedure for locating firmware and documentation might change from what is described in this document.

The GbE switch module can contain two operating-system images. You can revert to the previous image if the current download process fails.

Upgrading the GbE switch module software

The GbE switch-module software can be upgraded using a TFTP server application. Typically, this software runs as an application under your operating system. Make sure that this software is installed on your server; then, download the software images from the IBM Web site <http://www.ibm.com/support/> into a directory on your TFTP server. Enable the TFTP server and set its default directory to the one where the image is.

To transfer the software image files from the TFTP server to the switch, you can establish a Telnet session through the management module. Ping the TFTP server to make sure that you have a connection. The Telnet session performs optimally if all three network entities (TFTP server, management module, and switch IP addresses) are on the same subnet. Otherwise, you must use a router and configure a gateway address on the switch. Use the management-module interface to configure the IP addresses of the management module external interface (eth0) and the GbE switch module so that they are both on the same subnet as the TFTP server.

The IP addresses and masks used are described in the following table.

Network entity	IP address	Mask
TFTP server	192.168.2.178	255.255.255.0
Management module (eth0)	192.168.2.237	255.255.255.0
GbE switch module current IP configuration	192.168.2.51	255.255.255.0

Note: With this configuration, you can ping the GbE switch module from the TFTP server.

Use the management module interface to start a Telnet session, as described in the following steps. The requirements for running a Telnet session are described in Chapter 5, "Configuring the GbE switch module," on page 25.

1. Log on to the management module as described in the *User's Guide* or *Command Line Interface Reference Guide* for your management module. The login window opens.
2. From the **I/O Module Tasks** menu, click **Configuration** → **Bay X** → **Advanced Configuration**. The Advanced Configuration window opens.
3. To start a Telnet session, click **Start Telnet/Web Session**.

To upgrade the GbE switch-module software, complete the following steps:

1. Log into the GbE switch module.
2. At the CLI prompt, type the following command and press **Enter**.

```
/boot/gtimg imageX TADDR zzzzz
```

Where *imagex* is the image to install and *zzzzz* is the operating-system image file name.

3. Reset and restart the GbE switch module as described in “Resetting and restarting the GbE switch module.”
4. At the CLI prompt, type the following command and press **Enter**.

```
/boot/gtimg boot TADDR yyyy
```

Where *yyyy* is the boot image file name.

5. Repeat step3.

Resetting and restarting the GbE switch module

To activate the new image or images, you must reset the GbE switch module. To reset the GbE switch module, complete the following steps:

1. From the **I/O Module Tasks** menu, click **Admin/Power/Restart**. The management module window opens.
2. Select the I/O module bay on which the software update was just installed.
3. Click **Power Off Module(s)**.
4. Select the I/O module bay on which the software update was just installed.
5. Click **Power On Module(s)**. Wait 60 seconds for POST to be completed.
6. Click **Monitors**, and select **Firmware VPD**. The Firmware VPD window opens.
7. In the Firmware VPD window, locate the I/O Module Firmware VPD section. Page down to the number of the I/O module bay that contains the GbE switch module that you just installed; then, note the corresponding level of the software for the GbE switch module. Confirm that the software build ID and revision reflect the correct software release.

Chapter 7. Parts listing

Replaceable components are of three types:

- **Tier 1 customer replaceable unit (CRU):** Replacement of Tier 1 CRUs is your responsibility. If IBM installs a Tier 1 CRU at your request, you will be charged for the installation.
- **Tier 2 customer replaceable unit (CRU):** You may install a Tier 2 CRU yourself or request IBM to install it, at no additional charge, under the type of warranty service that is designated for your server.
- **Field replaceable unit (FRU):** FRUs must be installed only by trained service technicians.

For information about the terms of the warranty, see Appendix A, "IBM Statement of Limited Warranty Z125-4753-08 04/2004," on page 43.

Note: These customer replaceable units (CRUs) can be replaced by the customer.

Part	CRU Number
Nortel GbE Uplink Switch Module for IBM BladeCenter assembly	32R1785
Serial console cable	02R9365
IBM Gb small-form-factor pluggable module, SR (850 nm)	32R1883
IBM Gb small-form-factor pluggable module, LR (1310 nm)	32R1884
1.5 m IBM BladeCenter CX4 cable	32R1940
3.0 m IBM BladeCenter CX4 cable	32R1944

Chapter 8. Solving problems

This section provides basic troubleshooting information to help you solve some problems that might occur while you are setting up the GbE switch module. The *Nortel 10 Gb Uplink Ethernet Switch Modules for IBM Bladecenter Application Guide* provides more details about troubleshooting the GbE switch module.

If you cannot locate and correct the problem using the information in this section, see Chapter 9, “Getting help and technical assistance,” on page 41.

Running POST

To ensure that it is fully operational, the GbE switch module processes a series of tests during power-up or a restart (power-on self-test, or POST). These tests take approximately 1 minute to complete. The management module reads the test results and displays them for you. During normal operation, these tests are completed without error, and the green OK LED is lit. However, if the GbE switch module fails POST, the amber error (fault) LED and the system-error LED on the BladeCenter unit is lit. An event is stored in the event log in the System Status panel of the management module. The specific failure is displayed on the System Status I/O Module panel of the management module.

Note: For the location and description of the GbE switch module LEDs, see “LEDs” on page 6.

POST errors

There are two types of errors: noncritical and critical. Noncritical errors apply to one port, and the GbE switch module is operational. You can continue to operate the GbE switch module; however, if necessary, you must replace it as soon as possible. When critical errors occur, the GbE switch module does not operate. If a critical error occurs, the switch will try complete the startup sequence and initialization process. To view POST results, complete the following steps:

1. Log on to the management module as described in the *User's Guide* or the *Command Line Interface Reference Guide* for your management module. If necessary, obtain the IP address of the management module from your system administrator. The login window opens.
2. Turn off the power to the GbE switch module; then, turn it on again.
3. After POST is completed, the management module displays the results. Refresh the window to view the POST results. If a critical error occurs, replace the GbE switch module. If a non-critical error occurs, see the GbE switch module error log for additional details.

The following table describes the basic critical and noncritical failures. This abbreviated list is representative; it is not intended as an exhaustive list. An error code is associated with each failure. Error codes appear on the Management Module Switch Information window. Be sure to note the applicable error code and corresponding failure. You might have to provide this information when you call the IBM HelpCenter®. For details, see Chapter 9, “Getting help and technical assistance,” on page 41.

Diagnostic indicator (in hex)	Failing functional area	Failure criticality
00 - 7F	Base internal functions	Critical
80 - 9F	Internal interface failures	Noncritical
A0 - AF	External interface errors	Noncritical
B0 - FE	Reserved	Noncritical
FF	GbE switch module “good” indicator	Operation

Chapter 9. Getting help and technical assistance

If you need help, service, or technical assistance or just want more information about IBM products, you will find a wide variety of sources available from IBM to assist you. This appendix contains information about where to go for additional information about IBM and IBM products, what to do if you experience a problem with your BladeCenter product or optional device, and whom to call for service, if it is necessary.

Before you call

Before you call, make sure that you have taken these steps to try to solve the problem yourself:

- Check all cables to make sure that they are connected.
- Check the power switches to make sure that the system and any optional devices are turned on.
- Use the troubleshooting information in your system documentation, and use the diagnostic tools that come with your system. Information about diagnostic tools is in the *Hardware Maintenance Manual and Troubleshooting Guide* or *Problem Determination and Service Guide* on the IBM Documentation CD that comes with your system.
- Go to <http://www.ibm.com/bladecenter/> and click **Support** to check for information to help you solve the problem.

You can solve many problems without outside assistance by following the troubleshooting procedures that IBM provides in the online help or in the documentation that is provided with your IBM product. The documentation that comes with BladeCenter systems also describes the diagnostic tests that you can perform. Most BladeCenter systems, operating systems, and programs come with documentation that contains troubleshooting procedures and explanations of error messages and error codes. If you suspect a software problem, see the documentation for the software.

Using the documentation

Information about your IBM BladeCenter system and preinstalled software, if any, or optional device is available in the documentation that comes with the product. That documentation can include printed documents, online documents, readme files, and help files. See the troubleshooting information in your system documentation for instructions for using the diagnostic programs. The troubleshooting information or the diagnostic programs might tell you that you need additional or updated device drivers or other software. IBM maintains pages on the World Wide Web where you can get the latest technical

information and download device drivers and updates. To access these pages, go to <http://www.ibm.com/bladecenter/>, click **Support**, and follow the instructions. Also, some documents are available through the IBM Publications Center at <http://www.ibm.com/shop/publications/order/>.

Getting help and information from the World Wide Web

On the World Wide Web, the IBM Web site has up-to-date information about IBM BladeCenter systems, optional devices, services, and support at <http://www.ibm.com/bladecenter/>. For service information, click **Support**.

Software service and support

Through IBM Support Line, you can get telephone assistance, for a fee, with usage, configuration, and software problems with BladeCenter products. For information about which products are supported by Support Line in your country or region, see <http://www.ibm.com/services/sl/products/>.

For more information about Support Line and other IBM services, see <http://www.ibm.com/services/>, or see <http://www.ibm.com/planetwide/> for support telephone numbers. In the U.S. and Canada, call 1-800-IBM-SERV (1-800-426-7378).

Hardware service and support

You can receive hardware service through IBM Services or through your IBM reseller, if your reseller is authorized by IBM to provide warranty service. See <http://www.ibm.com/planetwide/> for support telephone numbers, or in the U.S. and Canada, call 1-800-IBM-SERV (1-800-426-7378).

In the U.S. and Canada, hardware service and support is available 24 hours a day, 7 days a week. In the U.K., these services are available Monday through Friday, from 9 a.m. to 6 p.m.

Appendix A. IBM Statement of Limited Warranty Z125-4753-08 04/2004

Part 1 - General Terms

Part 1 - General Terms

*This Statement of Limited Warranty includes Part 1 - General Terms, Part 2 - Country-unique Terms, and Part 3 - Warranty Information. The terms of Part 2 replace or modify those of Part 1. The warranties provided by IBM in this Statement of Limited Warranty apply only to Machines you purchase for your use, and not for resale. The term "Machine" means an IBM machine, its features, conversions, upgrades, elements, or accessories, or any combination of them. The term "Machine" does not include any software programs, whether pre-loaded with the Machine, installed subsequently or otherwise. **Nothing in this Statement of Limited Warranty affects any statutory rights of consumers that cannot be waived or limited by contract.***

What this Warranty Covers

IBM warrants that each Machine 1) is free from defects in materials and workmanship and 2) conforms to IBM's Official Published Specifications ("Specifications") which are available on request. The warranty period for the Machine starts on the original Date of Installation and is specified in Part 3 - Warranty Information. The date on your invoice or sales receipt is the Date of Installation unless IBM or your reseller informs you otherwise. Many features, conversions, or upgrades involve the removal of parts and their return to IBM. A part that replaces a removed part will assume the warranty service status of the removed part. Unless IBM specifies otherwise, these warranties apply only in the country or region in which you purchased the Machine.

THESE WARRANTIES ARE YOUR EXCLUSIVE WARRANTIES AND REPLACE ALL OTHER WARRANTIES OR CONDITIONS, EXPRESS OR IMPLIED, INCLUDING, BUT NOT LIMITED TO, THE IMPLIED WARRANTIES OR CONDITIONS OF MERCHANTABILITY AND FITNESS FOR A PARTICULAR PURPOSE. SOME STATES OR JURISDICTIONS DO NOT ALLOW THE EXCLUSION OF EXPRESS OR IMPLIED WARRANTIES, SO THE ABOVE EXCLUSION MAY NOT APPLY TO YOU. IN THAT EVENT, SUCH WARRANTIES ARE LIMITED IN DURATION TO THE WARRANTY PERIOD. NO WARRANTIES APPLY AFTER THAT PERIOD. SOME STATES OR JURISDICTIONS DO NOT ALLOW LIMITATIONS ON HOW LONG AN IMPLIED WARRANTY LASTS, SO THE ABOVE LIMITATION MAY NOT APPLY TO YOU.

What this Warranty Does not Cover

This warranty does not cover the following:

- any software programs, whether pre-loaded or shipped with the Machine, or installed subsequently;
- failure resulting from misuse (including but not limited to use of any Machine capacity or capability, other than that authorized by IBM in writing), accident, modification, unsuitable physical or operating environment, or improper maintenance by you;
- failure caused by a product for which IBM is not responsible; and
- any non-IBM products, including those that IBM may procure and provide with or integrate into an IBM Machine at your request.

The warranty is voided by removal or alteration of identification labels on the Machine or its parts.

IBM does not warrant uninterrupted or error-free operation of a Machine.

Any technical or other support provided for a Machine under warranty, such as assistance with “how-to” questions and those regarding Machine set-up and installation, is provided **WITHOUT WARRANTIES OF ANY KIND**.

How to Obtain Warranty Service

If the Machine does not function as warranted during the warranty period, contact IBM or your reseller to obtain warranty service. If you do not register the Machine with IBM, you may be required to present proof of purchase as evidence of your entitlement to warranty service.

What IBM Will Do to Correct Problems

When you contact IBM for service, you must follow the problem determination and resolution procedures that IBM specifies. An initial diagnosis of your problem can be made either by a technician over the telephone or electronically by access to an IBM website.

The type of warranty service applicable to your Machine is specified in Part 3 - Warranty Information.

You are responsible for downloading and installing designated Machine Code (microcode, basic input/output system code (called “BIOS”), utility programs, device drivers, and diagnostics delivered with an IBM Machine) and other software updates from an IBM Internet Web site or from other electronic media, and following the instructions that IBM provides.

If your problem can be resolved with a Customer Replaceable Unit (“CRU”) (e.g., keyboard, mouse, speaker, memory, hard disk drive), IBM will ship the CRU to you for you to install.

If the Machine does not function as warranted during the warranty period and your problem cannot be resolved over the telephone or electronically, through your application of Machine Code or software updates, or with a CRU, IBM or your reseller, if approved by IBM to provide warranty service, will either, at its discretion, 1) repair it to make it function as warranted, or 2) replace it with one that is at least functionally equivalent. If IBM is unable to do either, you may return the Machine to your place of purchase and your money will be refunded.

IBM or your reseller will also manage and install selected engineering changes that apply to the Machine.

Exchange of a Machine or Part

When the warranty service involves the exchange of a Machine or part, the item IBM or your reseller replaces becomes its property and the replacement becomes yours. You represent that all removed items are genuine and unaltered. The replacement may not be new, but will be in good working order and at least functionally equivalent to the item replaced. The replacement assumes the warranty service status of the replaced item.

Your Additional Responsibilities

Before IBM or your reseller exchanges a Machine or part, you agree to remove all features, parts, options, alterations, and attachments not under warranty service.

You also agree to:

1. ensure that the Machine is free of any legal obligations or restrictions that prevent its exchange;
2. obtain authorization from the owner to have IBM or your reseller service a Machine that you do not own; and
3. where applicable, before service is provided:
 - a. follow the service request procedures that IBM or your reseller provides;
 - b. backup or secure all programs, data, and funds contained in the Machine;
 - c. provide IBM or your reseller with sufficient, free, and safe access to your facilities to permit IBM to fulfill its obligations; and
 - d. inform IBM or your reseller of changes in the Machine's location.
4. (a) ensure all information about identified or identifiable individuals (Personal Data) is deleted from the Machine (to the extent technically possible), (b) allow IBM, your reseller or an IBM supplier to process on your behalf any remaining Personal Data as IBM or your reseller considers necessary to fulfill its obligations under this Statement of Limited Warranty (which may include shipping the Machine for such processing to other IBM

service locations around the world), and (c) ensure that such processing complies with any laws applicable to such Personal Data.

Limitation of Liability

IBM is responsible for loss of, or damage to, your Machine only while it is 1) in IBM's possession or 2) in transit in those cases where IBM is responsible for the transportation charges.

Neither IBM nor your reseller are responsible for any of your confidential, proprietary or personal information contained in a Machine which you return to IBM for any reason. You should remove all such information from the Machine prior to its return.

Circumstances may arise where, because of a default on IBM's part or other liability, you are entitled to recover damages from IBM. In each such instance, regardless of the basis on which you are entitled to claim damages from IBM (including fundamental breach, negligence, misrepresentation, or other contract or tort claim), except for any liability that cannot be waived or limited by applicable laws, IBM is liable for no more than

1. damages for bodily injury (including death) and damage to real property and tangible personal property; and
2. the amount of any other actual direct damages, up to the charges (if recurring, 12 months' charges apply) for the Machine that is subject of the claim. For purposes of this item, the term "Machine" includes Machine Code and Licensed Internal Code ("LIC").

This limit also applies to IBM's suppliers and your reseller. It is the maximum for which IBM, its suppliers, and your reseller are collectively responsible.

UNDER NO CIRCUMSTANCES IS IBM, ITS SUPPLIERS OR RESELLERS LIABLE FOR ANY OF THE FOLLOWING EVEN IF INFORMED OF THEIR POSSIBILITY: 1) THIRD PARTY CLAIMS AGAINST YOU FOR DAMAGES (OTHER THAN THOSE UNDER THE FIRST ITEM LISTED ABOVE); 2) LOSS OF, OR DAMAGE TO, DATA; 3) SPECIAL, INCIDENTAL, OR INDIRECT DAMAGES OR FOR ANY ECONOMIC CONSEQUENTIAL DAMAGES; OR 4) LOST PROFITS, BUSINESS REVENUE, GOODWILL OR ANTICIPATED SAVINGS. SOME STATES OR JURISDICTIONS DO NOT ALLOW THE EXCLUSION OR LIMITATION OF INCIDENTAL OR CONSEQUENTIAL DAMAGES, SO THE ABOVE LIMITATION OR EXCLUSION MAY NOT APPLY TO YOU. SOME STATES OR JURISDICTIONS DO NOT ALLOW LIMITATIONS ON HOW LONG AN IMPLIED WARRANTY LASTS, SO THE ABOVE LIMITATION MAY NOT APPLY TO YOU.

Governing Law

Both you and IBM consent to the application of the laws of the country in which you acquired the Machine to govern, interpret, and enforce all of your and IBM's rights, duties, and obligations arising from, or relating in any manner to, the subject matter of this Statement of Limited Warranty, without regard to conflict of law principles.

THESE WARRANTIES GIVE YOU SPECIFIC LEGAL RIGHTS AND YOU MAY ALSO HAVE OTHER RIGHTS WHICH VARY FROM STATE TO STATE OR JURISDICTION TO JURISDICTION.

Jurisdiction

All of our rights, duties, and obligations are subject to the courts of the country in which you acquired the Machine.

Part 2 - Country-unique Terms

AMERICAS

ARGENTINA

Jurisdiction: *The following is added after the first sentence:*

Any litigation arising from this Statement of Limited Warranty will be settled exclusively by the Ordinary Commercial Court of the city of Buenos Aires.

BOLIVIA

Jurisdiction: *The following is added after the first sentence:*

Any litigation arising from this Statement of Limited Warranty will be settled exclusively by the courts of the city of La Paz.

BRAZIL

Jurisdiction: *The following is added after the first sentence:*

Any litigation arising from this Statement of Limited Warranty will be settled exclusively by the court of Rio de Janeiro, RJ.

CHILE

Jurisdiction: *The following is added after the first sentence:*

Any litigation arising from this Statement of Limited Warranty will be settled exclusively by the Civil Courts of Justice of Santiago.

COLOMBIA

Jurisdiction: *The following is added after the first sentence:*

Any litigation arising from this Statement of Limited Warranty will be settled exclusively by the Judges of the Republic of Colombia.

EQUADOR

Jurisdiction: *The following is added after the first sentence:*

Any litigation arising from this Statement of Limited Warranty will be settled exclusively by the Judges of Quito.

MEXICO

Jurisdiction: *The following is added after the first sentence:*

Any litigation arising from this Statement of Limited Warranty will be settled exclusively by the Federal Courts of Mexico City, Federal District.

PARAGUAY

Jurisdiction: *The following is added after the first sentence:*

Any litigation arising from this Statement of Limited Warranty will be settled exclusively by the courts of the city of Asuncion.

PERU

Limitation of Liability: *The following is added at the end of this section:*

In accordance with Article 1328 of the Peruvian Civil Code the limitations and exclusions specified in this section will not apply to damages caused by IBM's willful misconduct ("dolo") or gross negligence ("culpa inexcusable").

URUGUAY

Jurisdiction: *The following is added after the first sentence:*

Any litigation arising from this Statement of Limited Warranty will be settled exclusively by the City of Montevideo Court's Jurisdiction.

VENEZUELA

Jurisdiction: *The following is added after the first sentence:*

Any litigation arising from this Statement of Limited Warranty will be settled exclusively by the Courts of the Metropolitan Area Of the City of Caracas.

NORTH AMERICA

How to Obtain Warranty Service: *The following is added to this Section:*

To obtain warranty service from IBM in Canada or the United States, call 1-800-IBM-SERV (426-7378).

CANADA

Limitation of Liability: *The following replaces item 1 of this section:*

1. damages for bodily injury (including death) or physical harm to real property and tangible personal property caused by IBM's negligence; and

Governing Law: *The following replaces "laws of the country in which you acquired the Machine" in the first sentence:*
laws in the Province of Ontario.

UNITED STATES

Governing Law: *The following replaces "laws of the country in which you acquired the Machine" in the first sentence:*
laws of the State of New York.

ASIA PACIFIC

AUSTRALIA

What this Warranty Covers: *The following paragraph is added to this section:*

The warranties specified in this Section are in addition to any rights you may have under the Trade Practices Act 1974 or other similar legislation and are only limited to the extent permitted by the applicable legislation.

Limitation of Liability: *The following is added to this section:*

Where IBM is in breach of a condition or warranty implied by the Trade Practices Act 1974 or other similar legislation, IBM's liability is limited to the repair or replacement of the goods or the supply of equivalent goods. Where that condition or warranty relates to right to sell, quiet possession or clear title, or the goods are of a kind ordinarily acquired for personal, domestic or household use or consumption, then none of the limitations in this paragraph apply.

Governing Law: *The following replaces “laws of the country in which you acquired the Machine” in the first sentence:*
laws of the State or Territory.

CAMBODIA AND LAOS

Governing Law: *The following replaces “laws of the country in which you acquired the Machine” in the first sentence:*
laws of the State of New York, United States of America.

CAMBODIA, INDONESIA, AND LAOS

Arbitration: *The following is added under this heading:*
Disputes arising out of or in connection with this Statement of Limited Warranty shall be finally settled by arbitration which shall be held in Singapore in accordance with the Arbitration Rules of Singapore International Arbitration Center (“SIAC Rules”) then in effect. The arbitration award shall be final and binding for the parties without appeal and shall be in writing and set forth the findings of fact and the conclusions of law.

The number of arbitrators shall be three, with each side to the dispute being entitled to appoint one arbitrator. The two arbitrators appointed by the parties shall appoint a third arbitrator who shall act as chairman of the proceedings. Vacancies in the post of chairman shall be filled by the president of the SIAC. Other vacancies shall be filled by the respective nominating party. Proceedings shall continue from the stage they were at when the vacancy occurred.

If one of the parties refuses or otherwise fails to appoint an arbitrator within 30 days of the date the other party appoints its, the first appointed arbitrator shall be the sole arbitrator, provided that the arbitrator was validly and properly appointed.

All proceedings shall be conducted, including all documents presented in such proceedings, in the English language. The English language version of this Statement of Limited Warranty prevails over any other language version.

HONG KONG S.A.R. OF CHINA AND MACAU S.A.R. OF CHINA

Governing Law: *The following replaces “laws of the country in which you acquired the Machine” in the first sentence:*
laws of Hong Kong Special Administrative Region of China.

INDIA

Limitation of Liability: *The following replaces items 1 and 2 of this section:*

1. liability for bodily injury (including death) or damage to real property and tangible personal property will be limited to that caused by IBM's negligence; and
2. as to any other actual damage arising in any situation involving nonperformance by IBM pursuant to, or in any way related to the subject of this Statement of Limited Warranty, the charge paid by you for the individual Machine that is the subject of the claim. For purposes of this item, the term "Machine" includes Machine Code and Licensed Internal Code ("LIC").

Arbitration: *The following is added under this heading:*

Disputes arising out of or in connection with this Statement of Limited Warranty shall be finally settled by arbitration which shall be held in Bangalore, India in accordance with the laws of India then in effect. The arbitration award shall be final and binding for the parties without appeal and shall be in writing and set forth the findings of fact and the conclusions of law.

The number of arbitrators shall be three, with each side to the dispute being entitled to appoint one arbitrator. The two arbitrators appointed by the parties shall appoint a third arbitrator who shall act as chairman of the proceedings. Vacancies in the post of chairman shall be filled by the president of the Bar Council of India. Other vacancies shall be filled by the respective nominating party. Proceedings shall continue from the stage they were at when the vacancy occurred.

If one of the parties refuses or otherwise fails to appoint an arbitrator within 30 days of the date the other party appoints its, the first appointed arbitrator shall be the sole arbitrator, provided that the arbitrator was validly and properly appointed.

All proceedings shall be conducted, including all documents presented in such proceedings, in the English language. The English language version of this Statement of Limited Warranty prevails over any other language version.

JAPAN

Governing Law: *The following sentence is added to this section:*

Any doubts concerning this Statement of Limited Warranty will be initially resolved between us in good faith and in accordance with the principle of mutual trust.

MALAYSIA

Limitation of Liability: *The word "SPECIAL" in item 3 of the fifth paragraph is deleted.*

NEW ZEALAND

What this Warranty Covers: *The following paragraph is added to this section:*
The warranties specified in this section are in addition to any rights you may have under the Consumer Guarantees Act 1993 or other legislation which cannot be excluded or limited. The Consumer Guarantees Act 1993 will not apply in respect of any goods which IBM provides, if you require the goods for the purposes of a business as defined in that Act.

Limitation of Liability: *The following is added to this section:*
Where Machines are not acquired for the purposes of a business as defined in the Consumer Guarantees Act 1993, the limitations in this section are subject to the limitations in that Act.

PEOPLE'S REPUBLIC OF CHINA (PRC)

Governing Law: *The following replaces "laws of the country in which you acquired the Machine" in the first sentence:*

laws of the State of New York, United States of America (except when local law requires otherwise).

PHILIPPINES

Limitation of Liability: *Item 3 in the fifth paragraph is replaced by the following:*

SPECIAL (INCLUDING NOMINAL AND EXEMPLARY DAMAGES), MORAL, INCIDENTAL, OR INDIRECT DAMAGES FOR ANY ECONOMIC CONSEQUENTIAL DAMAGES; OR

Arbitration: *The following is added under this heading:*

Disputes arising out of or in connection with this Statement of Limited Warranty shall be finally settled by arbitration which shall be held in Metro Manila, Philippines in accordance with the laws of the Philippines then in effect. The arbitration award shall be final and binding for the parties without appeal and shall be in writing and set forth the findings of fact and the conclusions of law.

The number of arbitrators shall be three, with each side to the dispute being entitled to appoint one arbitrator. The two arbitrators appointed by the parties shall appoint a third arbitrator who shall act as chairman of the proceedings. Vacancies in the post of chairman shall be filled by the president of the Philippine Dispute Resolution Center, Inc. Other vacancies shall be filled by the respective nominating party. Proceedings shall continue from the stage they were at when the vacancy occurred.

If one of the parties refuses or otherwise fails to appoint an arbitrator within 30 days of the date the other party appoints its, the first appointed arbitrator shall be the sole arbitrator, provided that the arbitrator was validly and properly appointed.

All proceedings shall be conducted, including all documents presented in such proceedings, in the English language. The English language version of this Statement of Limited Warranty prevails over any other language version.

SINGAPORE

Limitation of Liability: *The words "SPECIAL" and "ECONOMIC" in item 3 in the fifth paragraph are deleted.*

EUROPE, MIDDLE EAST, AFRICA (EMEA)

THE FOLLOWING TERMS APPLY TO ALL EMEA COUNTRIES:

The terms of this Statement of Limited Warranty apply to Machines purchased from IBM or an IBM reseller.

How to Obtain Warranty Service:

*Add the following paragraph in **Western Europe** (Andorra, Austria, Belgium, Cyprus, Czech Republic, Denmark, Estonia, Finland, France, Germany, Greece, Hungary, Iceland, Ireland, Italy, Latvia, Liechtenstein, Lithuania, Luxembourg, Malta, Monaco, Netherlands, Norway, Poland, Portugal, San Marino, Slovakia, Slovenia, Spain, Sweden, Switzerland, United Kingdom, Vatican State, and any country subsequently added to the European Union, as from the date of accession):*

The warranty for Machines acquired in Western Europe shall be valid and applicable in all Western Europe countries provided the Machines have been announced and made available in such countries.

If you purchase a Machine in one of the Western European countries, as defined above, you may obtain warranty service for that Machine in any of those countries from either (1) an IBM reseller approved to perform warranty service or (2) from IBM, provided the Machine has been announced and made available by IBM in the country in which you wish to obtain service.

If you purchased a Personal Computer Machine in Albania, Armenia, Belarus, Bosnia and Herzegovina, Bulgaria, Croatia, Czech Republic, Georgia, Hungary, Kazakhstan, Kyrgyzstan, Federal Republic of Yugoslavia, Former Yugoslav Republic of Macedonia (FYROM), Moldova, Poland, Romania, Russia, Slovak Republic, Slovenia, or Ukraine, you may obtain warranty service for that Machine in any of those countries from either (1) an IBM reseller approved to perform warranty service or (2) from IBM.

If you purchase a Machine in a Middle Eastern or African country, you may obtain warranty service for that Machine from the IBM entity within the country of purchase, if that IBM entity provides warranty service in that country, or from an IBM reseller, approved by IBM to perform warranty service on that Machine in that country. Warranty service in Africa is available within 50 kilometers of an IBM approved service provider. You are responsible for transportation costs for Machines located outside 50 kilometers of an IBM approved service provider.

Governing Law:

The phrase “the laws of the country in which you acquired the Machine” is replaced by:

1) “the laws of Austria” in **Albania, Armenia, Azerbaijan, Belarus, Bosnia-Herzegovina, Bulgaria, Croatia, Georgia, Hungary, Kazakhstan, Kyrgyzstan, FYR Macedonia, Moldova, Poland, Romania, Russia, Slovakia, Slovenia, Tajikistan, Turkmenistan, Ukraine, Uzbekistan, and FR Yugoslavia;** 2) “the laws of France” in **Algeria, Benin, Burkina Faso, Cameroon, Cape Verde, Central African Republic, Chad, Comoros, Congo Republic, Djibouti, Democratic Republic of Congo, Equatorial Guinea, French Guiana, French Polynesia, Gabon, Gambia, Guinea, Guinea-Bissau, Ivory Coast, Lebanon, Madagascar, Mali, Mauritania, Mauritius, Mayotte, Morocco, New Caledonia, Niger, Reunion, Senegal, Seychelles, Togo, Tunisia, Vanuatu, and Wallis & Futuna;** 3) “the laws of Finland” in **Estonia, Latvia, and Lithuania;** 4) “the laws of England” in **Angola, Bahrain, Botswana, Burundi, Egypt, Eritrea, Ethiopia, Ghana, Jordan, Kenya, Kuwait, Liberia, Malawi, Malta, Mozambique, Nigeria, Oman, Pakistan, Qatar, Rwanda, Sao Tome, Saudi Arabia, Sierra Leone, Somalia, Tanzania, Uganda, United Arab Emirates, the United Kingdom, West Bank/Gaza, Yemen, Zambia, and Zimbabwe;** and 5) “the laws of South Africa” in **South Africa, Namibia, Lesotho and Swaziland.**

Jurisdiction: *The following exceptions are added to this section:*

1) In **Austria** the choice of jurisdiction for all disputes arising out of this Statement of Limited Warranty and relating thereto, including its existence, will be the competent court of law in Vienna, Austria (Inner-City); 2) in **Angola, Bahrain, Botswana, Burundi, Egypt, Eritrea, Ethiopia, Ghana, Jordan, Kenya, Kuwait, Liberia, Malawi, Malta, Mozambique, Nigeria, Oman, Pakistan, Qatar, Rwanda, Sao Tome, Saudi Arabia, Sierra Leone, Somalia, Tanzania, Uganda, United Arab Emirates, West Bank/Gaza, Yemen, Zambia, and Zimbabwe** all disputes arising out of this Statement of Limited Warranty or related to its execution, including summary proceedings, will be submitted to the exclusive jurisdiction of the English courts; 3) in **Belgium and Luxembourg**, all disputes arising out of this Statement of Limited Warranty or related to its interpretation or its execution, the law, and the courts of the

capital city, of the country of your registered office and/or commercial site location only are competent; 4) **in France, Algeria, Benin, Burkina Faso, Cameroon, Cape Verde, Central African Republic, Chad, Comoros, Congo Republic, Djibouti, Democratic Republic of Congo, Equatorial Guinea, French Guiana, French Polynesia, Gabon, Gambia, Guinea, Guinea-Bissau, Ivory Coast, Lebanon, Madagascar, Mali, Mauritania, Mauritius, Mayotte, Morocco, New Caledonia, Niger, Reunion, Senegal, Seychelles, Togo, Tunisia, Vanuatu, and Wallis & Futuna** all disputes arising out of this Statement of Limited Warranty or related to its violation or execution, including summary proceedings, will be settled exclusively by the Commercial Court of Paris; 5) **in Russia**, all disputes arising out of or in relation to the interpretation, the violation, the termination, the nullity of the execution of this Statement of Limited Warranty shall be settled by Arbitration Court of Moscow; 6) **in South Africa, Namibia, Lesotho and Swaziland**, both of us agree to submit all disputes relating to this Statement of Limited Warranty to the jurisdiction of the High Court in Johannesburg; 7) **in Turkey** all disputes arising out of or in connection with this Statement of Limited Warranty shall be resolved by the Istanbul Central (Sultanahmet) Courts and Execution Directorates of Istanbul, the Republic of Turkey; 8) in each of the following specified countries, any legal claim arising out of this Statement of Limited Warranty will be brought before, and settled exclusively by, the competent court of a) Athens for **Greece**, b) Tel Aviv-Jaffa for **Israel**, c) Milan for **Italy**, d) Lisbon for **Portugal**, and e) Madrid for **Spain**; and 9) **in the United Kingdom**, both of us agree to submit all disputes relating to this Statement of Limited Warranty to the jurisdiction of the English courts.

Arbitration: *The following is added under this heading:*

In Albania, Armenia, Azerbaijan, Belarus, Bosnia-Herzegovina, Bulgaria, Croatia, Georgia, Hungary, Kazakhstan, Kyrgyzstan, FYR Macedonia, Moldova, Poland, Romania, Russia, Slovakia, Slovenia, Tajikistan, Turkmenistan, Ukraine, Uzbekistan, and FR Yugoslavia all disputes arising out of this Statement of Limited Warranty or related to its violation, termination or nullity will be finally settled under the Rules of Arbitration and Conciliation of the International Arbitral Center of the Federal Economic Chamber in Vienna (Vienna Rules) by three arbitrators appointed in accordance with these rules. The arbitration will be held in Vienna, Austria, and the official language of the proceedings will be English. The decision of the arbitrators will be final and binding upon both parties. Therefore, pursuant to paragraph 598 (2) of the Austrian Code of Civil Procedure, the parties expressly waive the application of paragraph 595 (1) figure 7 of the Code. IBM may, however, institute proceedings in a competent court in the country of installation.

In Estonia, Latvia and Lithuania all disputes arising in connection with this Statement of Limited Warranty will be finally settled in arbitration that will be held in Helsinki, Finland in accordance with the arbitration laws of Finland then in effect. Each party will appoint one arbitrator. The arbitrators will then

jointly appoint the chairman. If arbitrators cannot agree on the chairman, then the Central Chamber of Commerce in Helsinki will appoint the chairman.

EUROPEAN UNION (EU)

THE FOLLOWING TERMS APPLY TO ALL EU COUNTRIES:

The warranty for Machines acquired in EU countries is valid and applicable in all EU countries provided the Machines have been announced and made available in such countries.

How to Obtain Warranty Service: *The following is added to this section:*

To obtain warranty service from IBM in EU countries, see the telephone listing in Part 3 - Warranty Information.

You may contact IBM at the following address:

IBM Warranty & Service Quality Dept.
PO Box 30
Spango Valley
Greenock
Scotland PA16 0AH

CONSUMERS

Consumers have legal rights under applicable national legislation governing the sale of consumer goods. Such rights are not affected by the warranties provided in this Statement of Limited Warranty.

AUSTRIA, DENMARK, FINLAND, GREECE, ITALY, NETHERLANDS, NORWAY, PORTUGAL, SPAIN, SWEDEN AND SWITZERLAND

Limitation of Liability: *The following replaces the terms of this section in its entirety:*

Except as otherwise provided by mandatory law:

1. IBM's liability for any damages and losses that may arise as a consequence of the fulfillment of its obligations under or in connection with this Statement of Limited Warranty or due to any other cause related to this Statement of Limited Warranty is limited to the compensation of only those damages and losses proved and actually arising as an immediate and direct consequence of the non-fulfillment of such obligations (if IBM is at fault) or of such cause, for a maximum amount equal to the charges you paid for the Machine. For purposes of this item, the term "Machine" includes Machine Code and Licensed Internal Code ("LIC").

The above limitation shall not apply to damages for bodily injuries (including death) and damages to real property and tangible personal property for which IBM is legally liable.

2. **UNDER NO CIRCUMSTANCES IS IBM, ITS SUPPLIERS OR RESELLERS LIABLE FOR ANY OF THE FOLLOWING, EVEN IF INFORMED OF THEIR POSSIBILITY: 1) LOSS OF, OR DAMAGE TO, DATA; 2) INCIDENTAL OR INDIRECT DAMAGES, OR FOR ANY ECONOMIC CONSEQUENTIAL DAMAGES; 3) LOST PROFITS, EVEN IF THEY ARISE AS AN IMMEDIATE CONSEQUENCE OF THE EVENT THAT GENERATED THE DAMAGES; OR 4) LOSS OF BUSINESS, REVENUE, GOODWILL, OR ANTICIPATED SAVINGS.**

FRANCE AND BELGIUM

Limitation of Liability: *The following replaces the terms of this section in its entirety:*

Except as otherwise provided by mandatory law:

1. IBM's liability for any damages and losses that may arise as a consequence of the fulfillment of its obligations under or in connection with this Statement of Limited Warranty is limited to the compensation of only those damages and losses proved and actually arising as an immediate and direct consequence of the non-fulfillment of such obligations (if IBM is at fault), for a maximum amount equal to the charges you paid for the Machine that has caused the damages. For purposes of this item, the term "Machine" includes Machine Code and Licensed Internal Code ("LIC").

The above limitation shall not apply to damages for bodily injuries (including death) and damages to real property and tangible personal property for which IBM is legally liable.

2. **UNDER NO CIRCUMSTANCES IS IBM, ITS SUPPLIERS OR RESELLERS LIABLE FOR ANY OF THE FOLLOWING, EVEN IF INFORMED OF THEIR POSSIBILITY: 1) LOSS OF, OR DAMAGE TO, DATA; 2) INCIDENTAL OR INDIRECT DAMAGES, OR FOR ANY ECONOMIC CONSEQUENTIAL DAMAGES; 3) LOST PROFITS, EVEN IF THEY ARISE AS AN IMMEDIATE CONSEQUENCE OF THE EVENT THAT GENERATED THE DAMAGES; OR 4) LOSS OF BUSINESS, REVENUE, GOODWILL, OR ANTICIPATED SAVINGS.**

THE FOLLOWING TERMS APPLY TO THE COUNTRY SPECIFIED:

AUSTRIA

The provisions of this Statement of Limited Warranty replace any applicable statutory warranties.

What this Warranty Covers: *The following replaces the first sentence of the first paragraph of this section:*

The warranty for an IBM Machine covers the functionality of the Machine for its normal use and the Machine's conformity to its Specifications.

The following paragraphs are added to this section:

The limitation period for consumers in action for breach of warranty is the statutory period as a minimum. In case IBM or your reseller is unable to repair an IBM Machine, you can alternatively ask for a partial refund as far as justified by the reduced value of the unrepaired Machine or ask for a cancellation of the respective agreement for such Machine and get your money refunded.

The second paragraph does not apply.

What IBM Will Do to Correct Problems: *The following is added to this section:*

During the warranty period, IBM will reimburse you for the transportation charges for the delivery of the failing Machine to IBM.

Limitation of Liability: *The following paragraph is added to this section:*

The limitations and exclusions specified in the Statement of Limited Warranty will not apply to damages caused by IBM with fraud or gross negligence and for express warranty.

The following sentence is added to the end of item 2:

IBM's liability under this item is limited to the violation of essential contractual terms in cases of ordinary negligence.

EGYPT

Limitation of Liability: *The following replaces item 2 in this section:*

as to any other actual direct damages, IBM's liability will be limited to the total amount you paid for the Machine that is the subject of the claim. For purposes of this item, the term "Machine" includes Machine Code and Licensed Internal Code ("LIC").

Applicability of suppliers and resellers (unchanged).

FRANCE

Limitation of Liability: *The following replaces the second sentence of the first paragraph of this section:*

In such instances, regardless of the basis on which you are entitled to claim damages from IBM, IBM is liable for no more than: (items 1 and 2 unchanged).

GERMANY

What this Warranty Covers: *The following replaces the first sentence of the first paragraph of this section:*

The warranty for an IBM Machine covers the functionality of the Machine for its normal use and the Machine's conformity to its Specifications.

The following paragraphs are added to this section:

The minimum warranty period for Machines is twelve months. In case IBM or your reseller is unable to repair an IBM Machine, you can alternatively ask for a partial refund as far as justified by the reduced value of the unrepaired Machine or ask for a cancellation of the respective agreement for such Machine and get your money refunded.

The second paragraph does not apply.

What IBM Will Do to Correct Problems: *The following is added to this section:*

During the warranty period, transportation for delivery of the failing Machine to IBM will be at IBM's expense.

Limitation of Liability: *The following paragraph is added to this section:*

The limitations and exclusions specified in the Statement of Limited Warranty will not apply to damages caused by IBM with fraud or gross negligence and for express warranty.

The following sentence is added to the end of item 2:

IBM's liability under this item is limited to the violation of essential contractual terms in cases of ordinary negligence.

HUNGARY

Limitation of Liability: *The following is added at the end of this section:*

The limitation and exclusion specified herein shall not apply to liability for a breach of contract damaging life, physical well-being, or health that has been caused intentionally, by gross negligence, or by a criminal act.

The parties accept the limitations of liability as valid provisions and state that the Section 314.(2) of the Hungarian Civil Code applies as the acquisition price as well as other advantages arising out of the present Statement of Limited Warranty balance this limitation of liability.

IRELAND

What this Warranty Covers: *The following is added to this section:*

Except as expressly provided in these terms and conditions, all statutory conditions, including all warranties implied, but without prejudice to the generality of the foregoing all warranties implied by the Sale of Goods Act 1893 or the Sale of Goods and Supply of Services Act 1980 are hereby excluded.

Limitation of Liability: *The following replaces the terms of this section in its entirety:*

For the purposes of this section, a “Default” means any act, statement, omission, or negligence on the part of IBM in connection with, or in relation to, the subject matter of this Statement of Limited Warranty in respect of which IBM is legally liable to you, whether in contract or tort. A number of Defaults which together result in, or contribute to, substantially the same loss or damage will be treated as one Default occurring on the date of occurrence of the last such Default.

Circumstances may arise where, because of a Default, you are entitled to recover damages from IBM.

This section sets out the extent of IBM’s liability and your sole remedy.

1. IBM will accept unlimited liability for death or personal injury caused by the negligence of IBM.
2. Subject always to the **Items for Which IBM is Not Liable** below, IBM will accept unlimited liability for physical damage to your tangible property resulting from the negligence of IBM.
3. Except as provided in items 1 and 2 above, IBM’s entire liability for actual damages for any one Default will not in any event exceed the greater of 1) EUR 125,000, or 2) 125% of the amount you paid for the Machine directly relating to the Default.

Items for Which IBM is Not Liable

Save with respect to any liability referred to in item 1 above, under no circumstances is IBM, its suppliers or resellers liable for any of the following, even if IBM or they were informed of the possibility of such losses:

1. loss of, or damage to, data;
2. special, indirect, or consequential loss; or

3. loss of profits, business, revenue, goodwill, or anticipated savings.

SLOVAKIA

Limitation of Liability: *The following is added to the end of the last paragraph:*

The limitations apply to the extent they are not prohibited under §§ 373-386 of the Slovak Commercial Code.

SOUTH AFRICA, NAMIBIA, BOTSWANA, LESOTHO AND SWAZILAND

Limitation of Liability: *The following is added to this section:*

IBM's entire liability to you for actual damages arising in all situations involving nonperformance by IBM in respect of the subject matter of this Statement of Warranty will be limited to the charge paid by you for the individual Machine that is the subject of your claim from IBM.

UNITED KINGDOM

Limitation of Liability: *The following replaces the terms of this section in its entirety:*

For the purposes of this section, a "Default" means any act, statement, omission, or negligence on the part of IBM in connection with, or in relation to, the subject matter of this Statement of Limited Warranty in respect of which IBM is legally liable to you, whether in contract or tort. A number of Defaults which together result in, or contribute to, substantially the same loss or damage will be treated as one Default.

Circumstances may arise where, because of a Default, you are entitled to recover damages from IBM.

This section sets out the extent of IBM's liability and your sole remedy.

1. IBM will accept unlimited liability for:
 - a. death or personal injury caused by the negligence of IBM; and
 - b. any breach of its obligations implied by Section 12 of the Sale of Goods Act 1979 or Section 2 of the Supply of Goods and Services Act 1982, or any statutory modification or re-enactment of either such Section.
2. IBM will accept unlimited liability, subject always to the **Items for Which IBM is Not Liable** below, for physical damage to your tangible property resulting from the negligence of IBM.
3. IBM's entire liability for actual damages for any one Default will not in any event, except as provided in items 1 and 2 above, exceed the greater of 1) Pounds Sterling 75,000, or 2) 125% of the total purchase price payable or the charges for the Machine directly relating to the Default.

These limits also apply to IBM's suppliers and resellers. They state the maximum for which IBM and such suppliers and resellers are collectively responsible.

Items for Which IBM is Not Liable

Save with respect to any liability referred to in item 1 above, under no circumstances is IBM or any of its suppliers or resellers liable for any of the following, even if IBM or they were informed of the possibility of such losses:

1. loss of, or damage to, data;
2. special, indirect, or consequential loss; or
3. loss of profits, business, revenue, goodwill, or anticipated savings.

Part 3 - Warranty Information

This Part 3 provides information regarding the warranty applicable to your Machine, including the warranty period and type of warranty service IBM provides.

Warranty Period

The warranty period may vary by country or region and is specified in the table below.

Note: "Region" means either Hong Kong or Macau Special Administrative Region of China.

A warranty period of 3 years on parts and 1 year on labor means that IBM provides warranty service without charge for:

1. parts and labor during the first year of the warranty period; and
2. parts only, on an exchange basis, in the second and third years of the warranty period. IBM will charge you for any labor provided in performance of the repair or replacement(s) in the second and third year of the warranty period.

Nortel 10 Gigabit Uplink Ethernet Switch Module for IBM BladeCenter

Country or Region of Purchase	Warranty Period	Type of Warranty Service*
Worldwide	1 year	1
* See "Types of Warranty Service" for the legend and explanations of warranty-service types.		

Types of Warranty Service

If required, IBM provides repair or exchange service depending on the type of warranty service specified for your Machine in the above table and as described below. Warranty service may be provided by your reseller if approved by IBM to perform warranty service. Scheduling of service will depend upon the time of your call and is subject to parts availability. Service levels are response time objectives and are not guaranteed. The specified level of warranty service may not be available in all worldwide locations, additional charges may apply outside IBM's normal service area, contact your local IBM representative or your reseller for country and location specific information.

1. Customer Replaceable Unit ("CRU") Service

IBM provides replacement CRUs to you for you to install. CRU information and replacement instructions are shipped with your Machine and are available from IBM at any time on your request. Installation of Tier 1 CRUs is your responsibility. If IBM installs a Tier 1 CRU at your request, you will be charged for the installation. You may install a Tier 2 CRU yourself or request IBM to install it, at no additional charge, under the type of warranty service designated for your Machine. IBM specifies in the materials shipped with a replacement CRU whether a defective CRU must be returned to IBM. When return is required, 1) return instructions and a container are shipped with the replacement CRU, and 2) you may be charged for the replacement CRU if IBM does not receive the defective CRU within 30 days of your receipt of the replacement.

2. On-site Service

IBM or your reseller will either repair or exchange the failing Machine at your location and verify its operation. You must provide suitable working area to allow disassembly and reassembly of the IBM Machine. The area must be clean, well lit and suitable for the purpose. For some Machines, certain repairs may require sending the Machine to an IBM service center.

3. Courier or Depot Service*

You will disconnect the failing Machine for collection arranged by IBM. IBM will provide you with a shipping container for you to return your Machine to a designated service center. A courier will pick up your Machine and deliver it to the designated service center. Following its repair or exchange, IBM will arrange the return delivery of the Machine to your location. You are responsible for its installation and verification.

4. Customer Carry-In or Mail-In Service

You will deliver or mail as IBM specifies (prepaid unless IBM specifies otherwise) the failing Machine suitably packaged to a location IBM designates. After IBM has repaired or exchanged the Machine, IBM will make it available for your collection or, for Mail-in Service, IBM will return it to you at IBM's expense, unless IBM specifies otherwise. You are responsible for the subsequent installation and verification of the Machine.

5. CRU and On-site Service

This type of Warranty Service is a combination of Type 1 and Type 2 (see above).

6. CRU and Courier or Depot Service

This type of Warranty Service is a combination of Type 1 and Type 3 (see above).

7. CRU and Customer Carry-In or Mail-In Service

This type of Warranty Service is a combination of Type 1 and Type 4 (see above).

When a 5, 6 or 7 type of warranty service is listed, IBM will determine which type of warranty service is appropriate for the repair.

* This type of service is called ThinkPad[®] EasyServ or EasyServ in some countries.

The IBM Machine Warranty World Wide Web site at http://www.ibm.com/servers/support/machine_warranties/ provides a worldwide overview of IBM's Limited Warranty for Machines, a Glossary of IBM definitions, Frequently Asked Questions (FAQs) and Support by Product (Machine) with links to Product Support pages. **The IBM Statement of Limited Warranty is also available on this site in 29 languages.**

To obtain warranty service contact IBM or your IBM reseller. In Canada or the United States, call 1-800-IBM-SERV (426-7378). In the EU countries, see the telephone numbers below.

EU Country Telephone List

Phone numbers are subject to change without notice. For the warranty service contact telephone number in a country subsequently added to the EU and not yet reflected in the list below, contact IBM in that country or visit the website above for a current telephone listing.

Austria -- +43-1-24592-5901	Latvia -- +386-61-1796-699
Belgium -- +32-70-23-3392	Lithuania -- +386-61-1796-699
Cyprus -- +357-22-841100	Luxembourg -- +352-298-977-5063
Czech Republic -- +420-2-7213-1316	Malta -- +356-23-4175
Denmark -- +45-4520-8200	Netherlands -- +31-20-514-5770
Estonia -- +386-61-1796-699	Poland -- +48-22-878-6999
Finland -- +358-8001-4260	Portugal -- +351-21-892-7147
France -- +33-238-557-450	Slovakia -- +421-2-4954-1217
Germany -- +49-1805-253553	Slovenia -- +386-1-4796-699
Greece -- +30-210-680-1700	Spain -- +34-91-714-7983
Hungary -- +36-1-382-5720	Sweden -- +46-8-477-4420
Ireland -- +353-1-815-4000	United Kingdom -- +44-0870-550-0900

Italy -- +39-800-820-094	
--------------------------	--

Appendix B. Notices

This information was developed for products and services offered in the U.S.A.

IBM may not offer the products, services, or features discussed in this document in other countries. Consult your local IBM representative for information on the products and services currently available in your area. Any reference to an IBM product, program, or service is not intended to state or imply that only that IBM product, program, or service may be used. Any functionally equivalent product, program, or service that does not infringe any IBM intellectual property right may be used instead. However, it is the user's responsibility to evaluate and verify the operation of any non-IBM product, program, or service.

IBM may have patents or pending patent applications covering subject matter described in this document. The furnishing of this document does not give you any license to these patents. You can send license inquiries, in writing, to:

*IBM Director of Licensing
IBM Corporation
North Castle Drive
Armonk, NY 10504-1785
U.S.A.*

INTERNATIONAL BUSINESS MACHINES CORPORATION PROVIDES THIS PUBLICATION "AS IS" WITHOUT WARRANTY OF ANY KIND, EITHER EXPRESS OR IMPLIED, INCLUDING, BUT NOT LIMITED TO, THE IMPLIED WARRANTIES OF NON-INFRINGEMENT, MERCHANTABILITY OR FITNESS FOR A PARTICULAR PURPOSE. Some states do not allow disclaimer of express or implied warranties in certain transactions, therefore, this statement may not apply to you.

This information could include technical inaccuracies or typographical errors. Changes are periodically made to the information herein; these changes will be incorporated in new editions of the publication. IBM may make improvements and/or changes in the product(s) and/or the program(s) described in this publication at any time without notice.

Any references in this information to non-IBM Web sites are provided for convenience only and do not in any manner serve as an endorsement of those Web sites. The materials at those Web sites are not part of the materials for this IBM product, and use of those Web sites is at your own risk.

IBM may use or distribute any of the information you supply in any way it believes appropriate without incurring any obligation to you.

Trademarks

The following terms are trademarks of International Business Machines Corporation in the United States, other countries, or both:

Active Memory	IBM	TechConnect
Active PCI	IBM (logo)	Tivoli
Active PCI-X	IntelliStation	Tivoli Enterprise
AIX	NetBAY	Update Connector
Alert on LAN	Netfinity	Wake on LAN
BladeCenter	Predictive Failure Analysis	XA-32
Chipkill	ServeRAID	XA-64
e-business logo	ServerGuide	X-Architecture
FlashCopy	ServerProven	XpandOnDemand
i5/OS	System x	

Intel, Intel Xeon, Itanium, and Pentium are trademarks or registered trademarks of Intel Corporation or its subsidiaries in the United States and other countries.

Microsoft, Windows, and Windows NT are trademarks of Microsoft Corporation in the United States, other countries, or both.

UNIX is a registered trademark of The Open Group in the United States and other countries.

Java and all Java-based trademarks and logos are trademarks of Sun Microsystems, Inc. in the United States, other countries, or both.

Adaptec and HostRAID are trademarks of Adaptec, Inc., in the United States, other countries, or both.

Linux is a trademark of Linus Torvalds in the United States, other countries, or both.

Red Hat, the Red Hat "Shadow Man" logo, and all Red Hat-based trademarks and logos are trademarks or registered trademarks of Red Hat, Inc., in the United States and other countries.

Other company, product, or service names may be trademarks or service marks of others.

Important notes

Processor speeds indicate the internal clock speed of the microprocessor; other factors also affect application performance.

CD drive speeds list the variable read rate. Actual speeds vary and are often less than the maximum possible.

When referring to processor storage, real and virtual storage, or channel volume, KB stands for approximately 1000 bytes, MB stands for approximately 1 000 000 bytes, and GB stands for approximately 1 000 000 000 bytes.

When referring to hard disk drive capacity or communications volume, MB stands for 1 000 000 bytes, and GB stands for 1 000 000 000 bytes. Total user-accessible capacity may vary depending on operating environments.

Maximum internal hard disk drive capacities assume the replacement of any standard hard disk drives and population of all hard disk drive bays with the largest currently supported drives available from IBM.

Maximum memory may require replacement of the standard memory with an optional memory module.

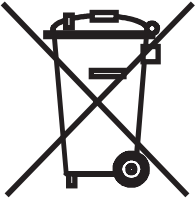
IBM makes no representation or warranties regarding non-IBM products and services that are ServerProven[®], including but not limited to the implied warranties of merchantability and fitness for a particular purpose. These products are offered and warranted solely by third parties.

IBM makes no representations or warranties with respect to non-IBM products. Support (if any) for the non-IBM products is provided by the third party, not IBM.

Some software may differ from its retail version (if available), and may not include user manuals or all program functionality.

Product recycling and disposal

This unit must be recycled or discarded according to applicable local and national regulations. IBM encourages owners of information technology (IT) equipment to responsibly recycle their equipment when it is no longer needed. IBM offers a variety of product return programs and services in several countries to assist equipment owners in recycling their IT products. Information on IBM product recycling offerings can be found on IBM's Internet site at <http://www.ibm.com/ibm/environment/products/prp.shtml>.



Notice: This mark applies only to countries within the European Union (EU) and Norway.

This appliance is labeled in accordance with European Directive 2002/96/EC concerning waste electrical and electronic equipment (WEEE). The Directive determines the framework for the return and recycling of used appliances as applicable throughout the European Union. This label is applied to various products to indicate that the product is not to be thrown away, but rather reclaimed upon end of life per this Directive.

注意: このマークは EU 諸国およびノルウェーにおいてのみ適用されます。

この機器には、EU 諸国に対する廃電気電子機器指令 2002/96/EC(WEEE) のラベルが貼られています。この指令は、EU 諸国に適用する使用済み機器の回収とリサイクルの骨子を定めています。このラベルは、使用済みになった時に指令に従って適正な処理をする必要があることを知らせるために種々の製品に貼られています。

Remarque: Cette marque s'applique uniquement aux pays de l'Union Européenne et à la Norvège.

L'étiquette du système respecte la Directive européenne 2002/96/EC en matière de Déchets des Equipements Electriques et Electroniques (DEEE), qui détermine les dispositions de retour et de recyclage applicables aux systèmes utilisés à travers l'Union européenne. Conformément à la directive, ladite étiquette précise que le produit sur lequel elle est apposée ne doit pas être jeté mais être récupéré en fin de vie.

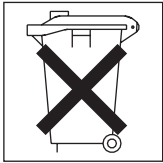
In accordance with the European WEEE Directive, electrical and electronic equipment (EEE) is to be collected separately and to be reused, recycled, or recovered at end of life. Users of EEE with the WEEE marking per Annex IV of the WEEE Directive, as shown above, must not dispose of end of life EEE as unsorted municipal waste, but use the collection framework available to customers for the return, recycling, and recovery of WEEE. Customer participation is important to minimize any potential effects of EEE on the environment and human health due to the potential presence of hazardous substances in EEE. For proper collection and treatment, contact your local IBM representative.

Battery return program

This product may contain a sealed lead acid, nickel cadmium, nickel metal hydride, lithium, or lithium ion battery. Consult your user manual or service manual for specific battery information. The battery must be recycled or disposed of properly. Recycling facilities may not be available in your area. For information on disposal of batteries outside the United States, go to <http://www.ibm.com/ibm/environment/products/batteryrecycle.shtml> or contact your local waste disposal facility.

In the United States, IBM has established a return process for reuse, recycling, or proper disposal of used IBM sealed lead acid, nickel cadmium, nickel metal hydride, and battery packs from IBM equipment. For information on proper disposal of these batteries, contact IBM at 1-800-426-4333. Have the IBM part number listed on the battery available prior to your call.

In the Netherlands, the following applies.



For Taiwan: Please recycle batteries.



Electronic emission notices

Federal Communications Commission (FCC) statement

Note: This equipment has been tested and found to comply with the limits for a Class A digital device, pursuant to Part 15 of the FCC Rules. These limits are designed to provide reasonable protection against harmful interference when the equipment is operated in a commercial environment. This equipment generates, uses, and can radiate radio frequency energy and, if not installed and used in accordance with the instruction manual, may cause harmful

interference to radio communications. Operation of this equipment in a residential area is likely to cause harmful interference, in which case the user will be required to correct the interference at his own expense.

Properly shielded and grounded cables and connectors must be used in order to meet FCC emission limits. IBM is not responsible for any radio or television interference caused by using other than recommended cables and connectors or by unauthorized changes or modifications to this equipment. Unauthorized changes or modifications could void the user's authority to operate the equipment.

This device complies with Part 15 of the FCC Rules. Operation is subject to the following two conditions: (1) this device may not cause harmful interference, and (2) this device must accept any interference received, including interference that may cause undesired operation.

Industry Canada Class A emission compliance statement

This Class A digital apparatus complies with Canadian ICES-003.

Avis de conformité à la réglementation d'Industrie Canada

Cet appareil numérique de la classe A est conforme à la norme NMB-003 du Canada.

Australia and New Zealand Class A statement

Attention: This is a Class A product. In a domestic environment this product may cause radio interference in which case the user may be required to take adequate measures.

United Kingdom telecommunications safety requirement

Notice to Customers

This apparatus is approved under approval number NS/G/1234/J/100003 for indirect connection to public telecommunication systems in the United Kingdom.

European Union EMC Directive conformance statement

This product is in conformity with the protection requirements of EU Council Directive 89/336/EEC on the approximation of the laws of the Member States relating to electromagnetic compatibility. IBM cannot accept responsibility for any failure to satisfy the protection requirements resulting from a nonrecommended modification of the product, including the fitting of non-IBM option cards.

This product has been tested and found to comply with the limits for Class A Information Technology Equipment according to CISPR 22/European Standard EN 55022. The limits for Class A equipment were derived for commercial and industrial environments to provide reasonable protection against interference with licensed communication equipment.

Attention: This is a Class A product. In a domestic environment this product may cause radio interference in which case the user may be required to take adequate measures.

Taiwanese Class A warning statement

警告使用者：
這是甲類的資訊產品，在居住的環境中使用時，可能會造成射頻干擾，在這種情況下，使用者會被要求採取某些適當的對策。

Chinese Class A warning statement

聲 明
此为 A 级产品。在生活环境中，该产品可能会造成无线电干扰。在这种情况下，可能需要用户对其干扰采取切实可行的措施。

Japanese Voluntary Control Council for Interference (VCCI) statement

この装置は、情報処理装置等電波障害自主規制協議会（VCCI）の基準に基づくクラスA情報技術装置です。この装置を家庭環境で使用すると電波妨害を引き起こすことがあります。この場合には使用者が適切な対策を講ずるよう要求されることがあります。

Index

A

- accessing
 - Gigabit Ethernet switch module through the Web interface 31
 - Web interface 31

C

- cabling 21, 37
 - CX4 cable 21
 - RJ-45 24
- case-sensitive data fields
 - accessing the Gigabit Ethernet switch module 31
- Class A electronic emission notice 71
- components, major 4
- configuring
 - serial-port interface 29
 - switch module 25
 - Telnet interface 28
- configuring through the Web interface 30
- configuring, GbE switch module 31
- connecting
 - the serial console cable 21
- critical errors 39
- CX4 cable
 - cabling 21

D

- data transmission rates 2
- default IP address 26
- default remote-management mode 25

E

- electronic emission Class A notice 71
- enable management
 - over external ports 28
- enabling the external ports 28
- error
 - critical 39
 - LED 6
 - noncritical 39

- Ethernet
 - TX/RX LED 6
- Ethernet link, OK LED 6
- external ports
 - enabling 28
 - enabling management 28
 - remote management 25

F

- FCC Class A notice 71
- features 2
- fiber-optic cables
 - installing 22
 - removing 24

G

- Gigabit Ethernet switch module error LED 6

H

- handling
 - fiber-optic cables 22
- handling static-sensitive devices 10

I

- identification labels 4
- information panel 31
- initial configuration 31
- installation
 - guidelines 9
 - procedure 10
- installing
 - fiber-optic cables 22
- installing, options 9
- introduction 1
- IP address
 - default 26

L

- labels 4

LEDs

- Ethernet link OK 6
- Ethernet TX/RX 6
- front view 6
- Gigabit Ethernet switch module
 - error 6
- indicators 6
- OK 6
- location
 - media access control (MAC)
 - address 1, 4
 - serial number 4
- logging in 32
- logging in using the Web interface 31
- login window
 - Web interface 31

M

- MAC address
 - label 4
 - location 1
- main menu
 - Web interface 31
- major components 4
- management module
 - establishing a TCP/IP session 27
- media access control (MAC) address 4

N

- noncritical errors 39
- notes, important 69
- notices
 - electronic emission 71
 - FCC, Class A 71
 - used in this book 3

O

- OK LED 6
- options, installing 9

P

- password rules
 - Telnet interface 31

R

- real-time information-panel display 31
- related documentation 2
- remote access 25
- removing
 - an SFP module 18
 - fiber-optic cables 24
 - Gigabit Ethernet switch module 12, 18
 - SPF module 19
- requirements
 - logging on to the Gigabit Ethernet switch module using the Web interface 31
 - using the Web interface 31
- resetting the Gigabit Ethernet switch module 35
- restarting the Gigabit Ethernet switch module 35
- RJ-45
 - cabling 24
 - removing cable 24

S

- serial console cable
 - connecting 21
- serial number 4
- serial-port interface, configuring 29
- SFP module
 - description 15
 - removing 18, 19
- small form-factor pluggable module
 - removing 18
- software updates 33
- solving problems 39
- specifications
 - technical 2
- starting the Web interface 31
- static electricity 10
- static-sensitive devices, handling 10
- switch module
 - cabling 21, 37
 - configuring 25
- switch software
 - current level 33
 - latest level 33
 - upgrading 34
- switch-module software, updating 33
- system reliability 10

system security
switch module 31

T

TCP/IP session
management module 27
technical specifications 2
Telnet interface
configuring 28
trademarks 68
transmission rates 2
troubleshooting 39

U

United States electronic emission Class A
notice 71
United States FCC Class A notice 71
updating the software 33

W

Web interface
main menu 31
requirements 31
starting 31
Web site
IBM products 2
Planning and Installation Guide 3
Web-based network management 30
World Wide Web 2

X

XFP module
cabling 22
description 15
installing 16
XFP module installation, procedure 16



Part Number: 31R1719

Printed in USA

(1P) P/N: 31R1719



Free Manuals Download Website

<http://myh66.com>

<http://usermanuals.us>

<http://www.somanuals.com>

<http://www.4manuals.cc>

<http://www.manual-lib.com>

<http://www.404manual.com>

<http://www.luxmanual.com>

<http://aubethermostatmanual.com>

Golf course search by state

<http://golfingnear.com>

Email search by domain

<http://emailbydomain.com>

Auto manuals search

<http://auto.somanuals.com>

TV manuals search

<http://tv.somanuals.com>