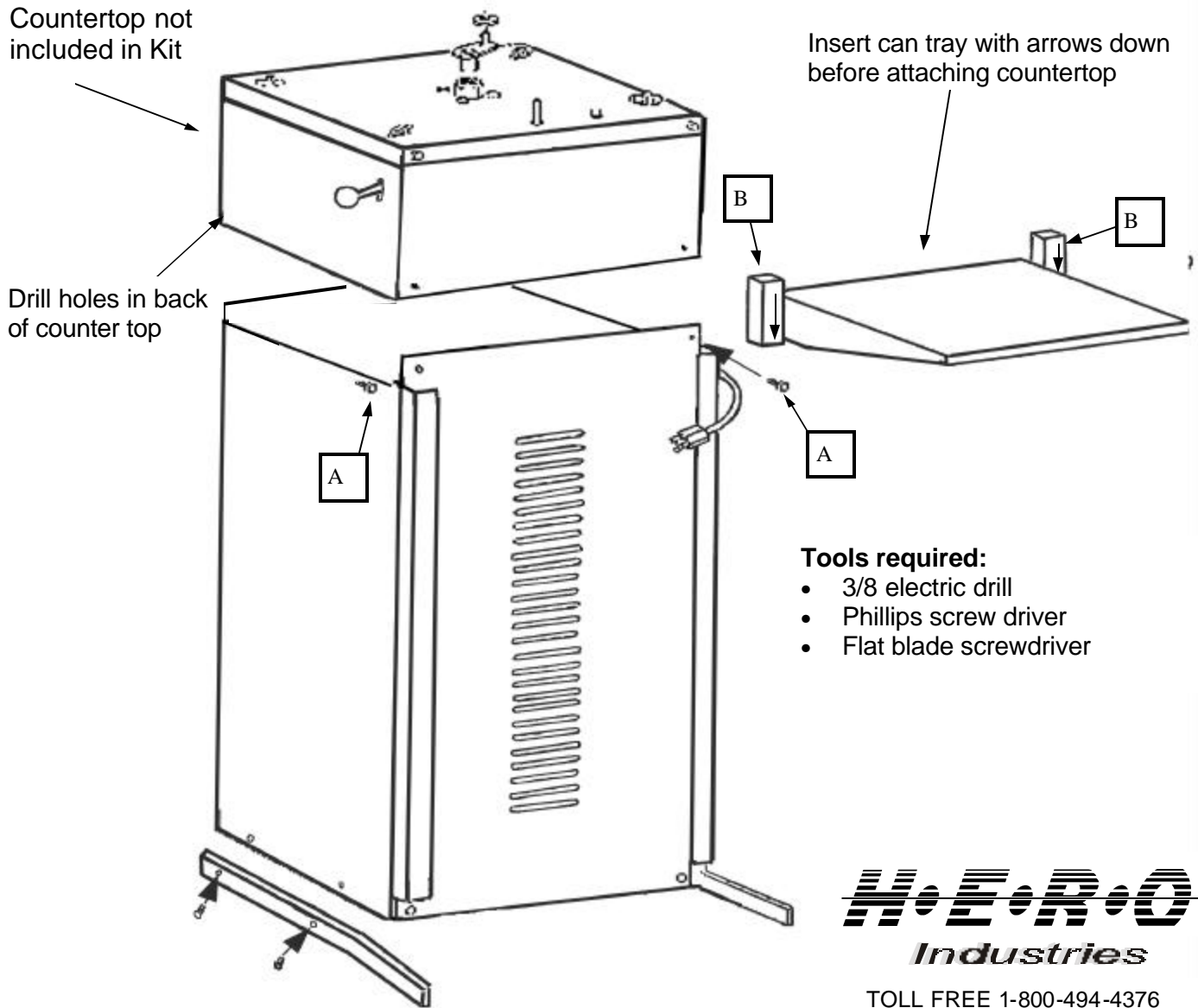


# Countertop to Floor Stand Assembly Instructions



## Countertop to Floorstand Conversion Kits:

12 Position stand - Part #BL-3770 -

16 Position stand - Part #BL-3771 -

1. Remove rubber feet and base plate from counter top
2. Place counter top on the base assembly
3. Insert shelf into the side support channels, making sure that arrows on the glides are facing down. (ref B)
4. Engage shelf into the slots.
5. Install screws at the top of the support channel. (ref A)
6. Drill new holes in the back of the counter top, using the existing holes in the floor stand using the drill bit supplied.
7. Install the screws into the back of the floor stand.
8. Make sure the lower legs are firmly attached to the floor stand.

## Free Manuals Download Website

<http://myh66.com>

<http://usermanuals.us>

<http://www.somanuals.com>

<http://www.4manuals.cc>

<http://www.manual-lib.com>

<http://www.404manual.com>

<http://www.luxmanual.com>

<http://aubethermostatmanual.com>

Golf course search by state

<http://golfingnear.com>

Email search by domain

<http://emailbydomain.com>

Auto manuals search

<http://auto.somanuals.com>

TV manuals search

<http://tv.somanuals.com>