

Ice-O-Matic®

CD40022/40522 - Cube Ice Dispenser



CD40022 with ICE0320

Features

- Only 22" (559 mm) wide.
- Only 76 inches (1935 mm) tall with ICE Series machine
- ARI Storage 120 lbs (54 kg) of ice.
- *Turbo Dispense* dispenses ¼ lbs of ice per second.
- *Power Clean* allows access to the bin for easy cleaning without moving the ice machine. Interlock safety switch turns off machine agitation when top-front access panel is removed.
- 4" (102mm) foam insulation for maximum ice preservation – no more quick melting ice.
- Constructed from corrosion-resistant stainless steel and fingerprint-proof plastic.

Ice Production for Optional Cube Ice Makers

Pounds (Kilograms) per 24 hours

| Model Type | ICE0320 | ICE0325 | ICE0520 | ICE0525 |
|---------------|-----------|--------------|-----------|--------------|
| Air-Cooled | 334 (152) | 301 (137) | 520 (236) | 559 (254) |
| Water-Cooled | 349 (159) | n/a | 527 (240) | n/a |
| Remote-Cooled | n/a | n/a | n/a | n/a |
| Voltage Char. | 115/60/1 | 220-240/50/1 | 115/60/1 | 220-240/50/1 |

Tested at 70° Air/50° Water.

2. All specifications and performance data are subject to normal manufacturing variances.

Accessories

| Model Number | Water Dispenser | Coin / Token Mechanisms | Both |
|--------------|-----------------|-------------------------|------|
| CD40022 | Yes | Yes | Yes |

Ice Form



CUBED ICE

| Full Cube | |
|----------------|-----------------|
| W x D x H (in) | 7/8 x 7/8 x 7/8 |
| W x D x H (mm) | 22 x 22 x 22 |
| Half Cube | |
| W x D x H (in) | 7/8 x 7/8 x 3/8 |
| W x D x H (mm) | 22 x 22 x 10 |

Space-Saving Solutions

- Great for hard water, food safety and tight spaces.
- Ultra-low profile design.
- Maximum ice storage in a minimum amount of space.
- ARI Storage 120 lbs (54 kg) of ice.
- Only 22" (559 mm) wide.
- User friendly push-to-dispense operation.



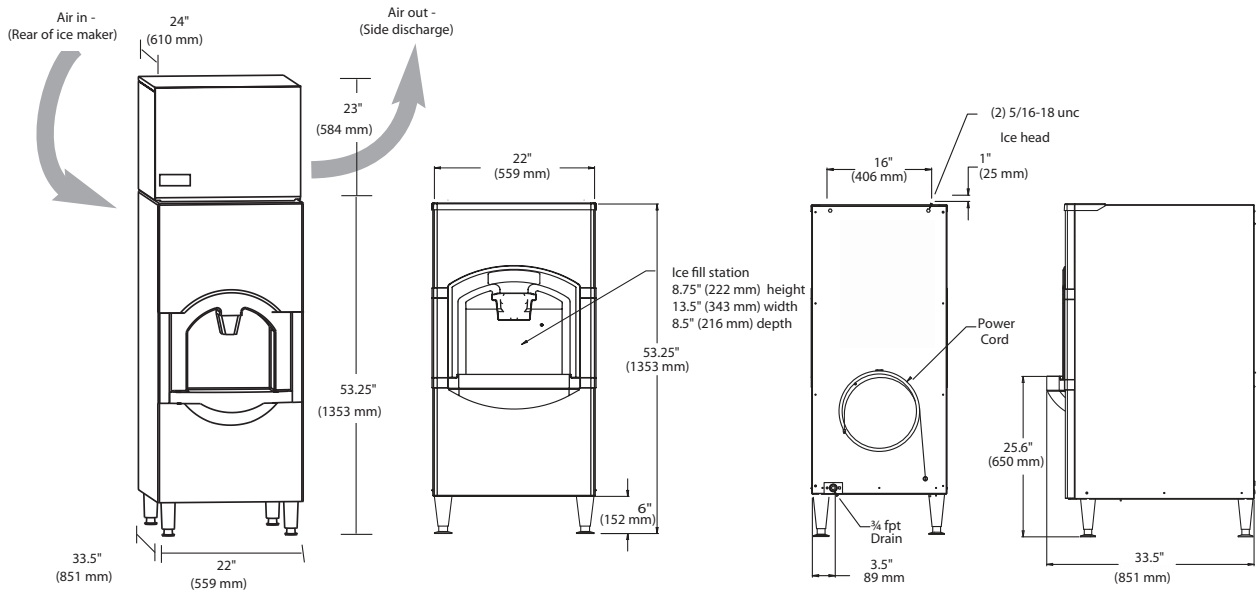
11100 E. 45th Avenue
Denver, CO 80239

Phone: 1. 866. PURE. ICE
Fax: 303. 371.6296
www.iceomatic.com

Part: 4005
Rev: A-01/09

Ice-O-Matic®

CD40022/40522 Cube Ice Dispenser



Operating Requirements

| | Minimum | Maximum |
|-------------------------|-------------------|-------------------|
| Ambient Temp. Range Air | 50°F (10°C) | 110°F (43°C) |
| Water Temp. | 40°F (4.4°C) | 100°F (38°C) |
| Water Pressure | 20 PSIG (1.4 BAR) | 60 PSIG (4.1 BAR) |

Dimensions (dispenser only)

| All Models | |
|--------------------|-------------------|
| W x D x H (inches) | 22 x 33.5 x 53.25 |
| W x D x H (mm) | 559 x 851 x 1,353 |

Specifications

| Model Number | Dispenser Operation | ARI Bin Storage lbs (kg) | Voltage Characteristics | Min. Circuit Ampacity |
|--------------|---------------------|--------------------------|-------------------------|-----------------------|
| CD40022 | Push | 120 (55) | 115/60/1 | 2.1 |
| CD40522 | Push | 120 (55) | 230/50/1 | 2.1 |

- Note #1: Model CD40022 and CD40522 dispensers accept all 22" ICE Series™ Cube Ice Makers
- Note #2: CD40022 and CD40522 Series units do not require an Adaptor and Bin Level Kit

NOTES:
 Number of Wires: 3 (including ground)
 Approx. Shipping Weight lbs (kg): 230 lbs (105 kg)
 Refrigerant Type: R404A

Free Manuals Download Website

<http://myh66.com>

<http://usermanuals.us>

<http://www.somanuals.com>

<http://www.4manuals.cc>

<http://www.manual-lib.com>

<http://www.404manual.com>

<http://www.luxmanual.com>

<http://aubethermostatmanual.com>

Golf course search by state

<http://golfingnear.com>

Email search by domain

<http://emailbydomain.com>

Auto manuals search

<http://auto.somanuals.com>

TV manuals search

<http://tv.somanuals.com>