



**SERVICE PARTS MANUAL
FLAKER DISPENSER
MODEL-EFD270**



**Mile High Equipment
11100 East 45th Ave
Denver, Colorado 80239**

Part Number 9081321-01

Print Date 4/04

*

EFD270 Service Parts

This is the list of service parts for the EFD270 ice maker dispenser.

Always have the model and serial number available when looking for a part number as changes do occur and the change may reference the model and/or serial number.

Table of Contents

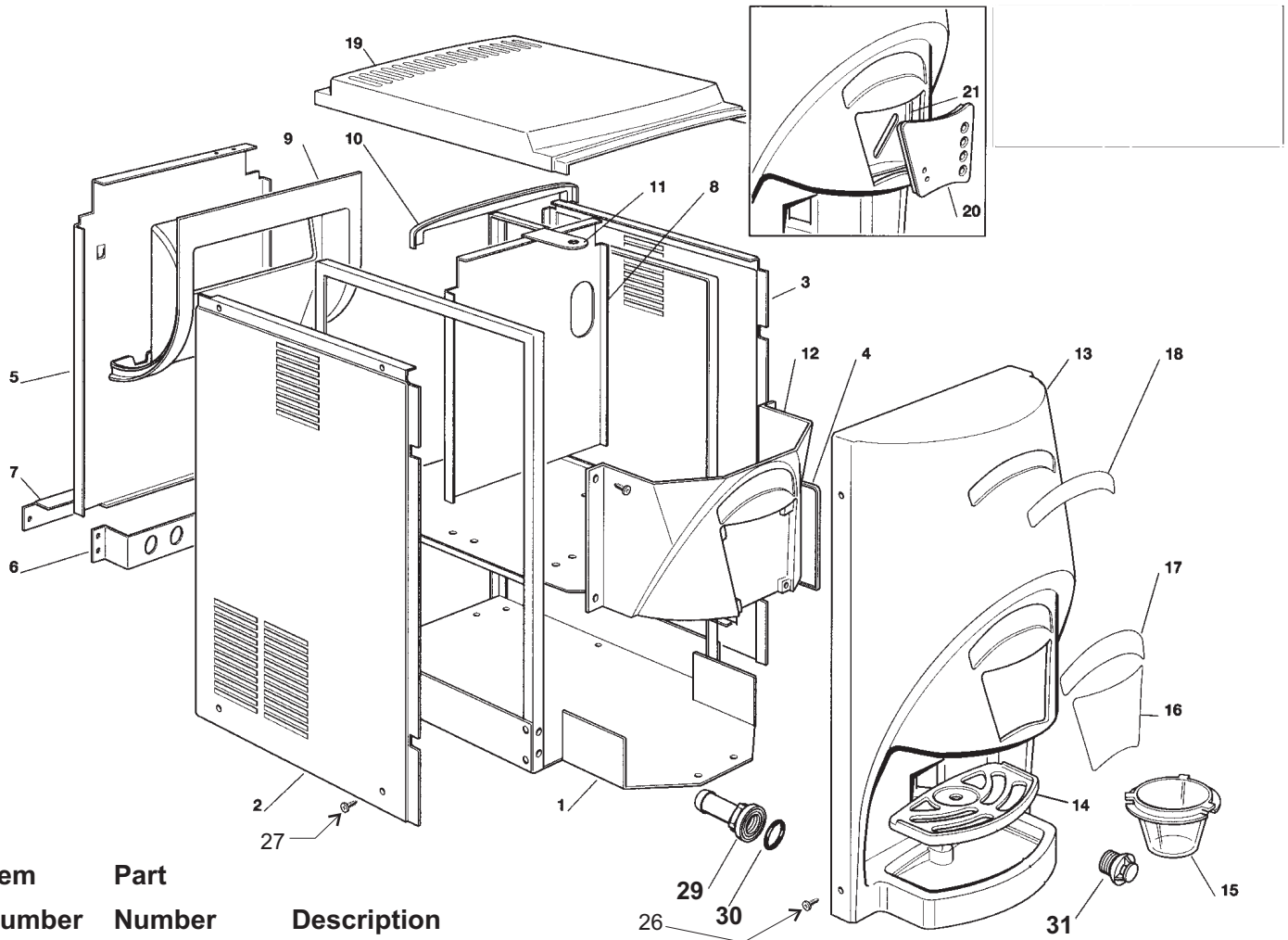
Cabinet	Page 2
Condensing System	Page 3
Water and Dispensing	Page 4
Water and Dispensing Part Numbers	Page 5
Auger Drive and Evaporator	Page 6
Auger Drive and Evaporator Part Numbers	Page 7
Control System	Page 8
Wiring Diagram	Page 9

ICE-O-Matic
11100 East 45th Ave.
Denver, CO 80239

(800) 423-3367

EFD270 Service Parts

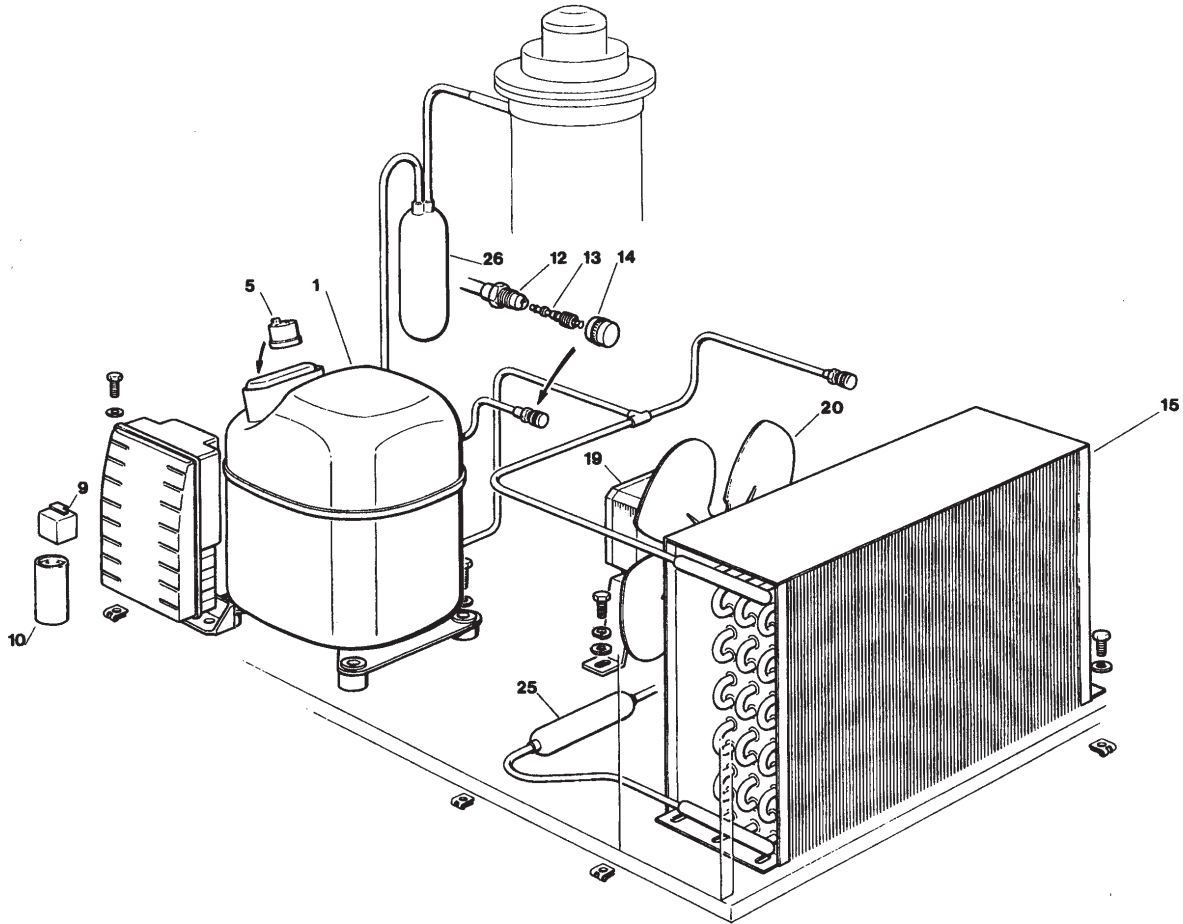
Cabinet



Item Number	Part Number	Description	Item Number	Part Number	Description
1	****	Unit Frame	14	1011357-77	Grill:Sink
2	1011357-112	Left Side Panel	15	1011357-97	Dispensing Spout
3	1011357-113	Right Side Panel	16	1011357-84	Label - Ice & Water
4	1011357-114	R Pcb Service Panel	17	1011357-83	Label
5	1011357-108	Rear Panel	18	1011357-82	ICE-O-Matic Logo
6	1011357-107	Metal Bracket For Fitting	19	1011357-80	Top Panel
7	1011357-109	Cover For Fitting Bracket	20	1011357-99	PCB housing
8	1011357-106	Metal Divider	21	1011357-101	PCB cover
9	1011357-93	Condenser Shroud	26	1011357-25	Screw
10	1011357-96	Plastic Bracket		1011357-78	Cap for screw
11	1011357-110	Ice Spout Bracket		1011357-79	Washer for screw
12	1011357-95	Dispensing Board Frame	27	1011357-26	Side panel screw
13	1011357-10	Front Panel, incl. items 16, 17, 18	28	1011357-27	Back panel screw
			29	1011357-87	Drain fitting
			30	1011357-62	O-ring
			31	1011357-86	Drain top

EFD270 Service Parts

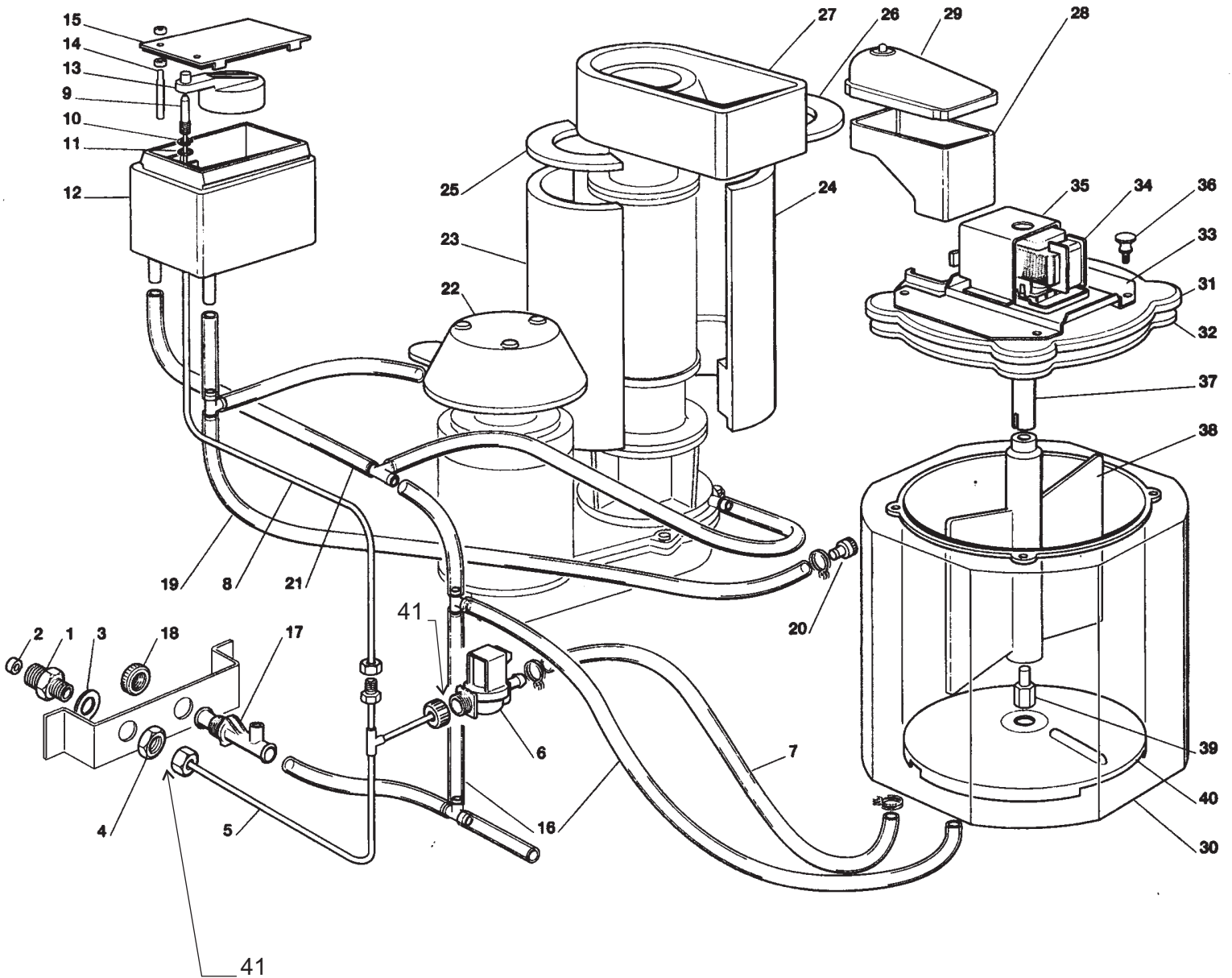
Condensing System



Item Number	Part Number	Description
1	1011357-105	Compressor assy
5	1011357-34	Protector
9	1011357-33	Start Relay
10	1011357-35	Start Capacitor (315 mfd)
12	1011357-67	Valve Body
13	1011357-103	Valve Piston
14	1011357-65	Valve Cap
15	1011357-44	Air Cooled Condenser
19	1011357-42	Fan Motor
20	1011357-43	Fan Blade
25	1011357-49	Drier
26	1011357-121	R Suction Line/Accumulator

EFD 270 Service Parts

Water and Dispensing



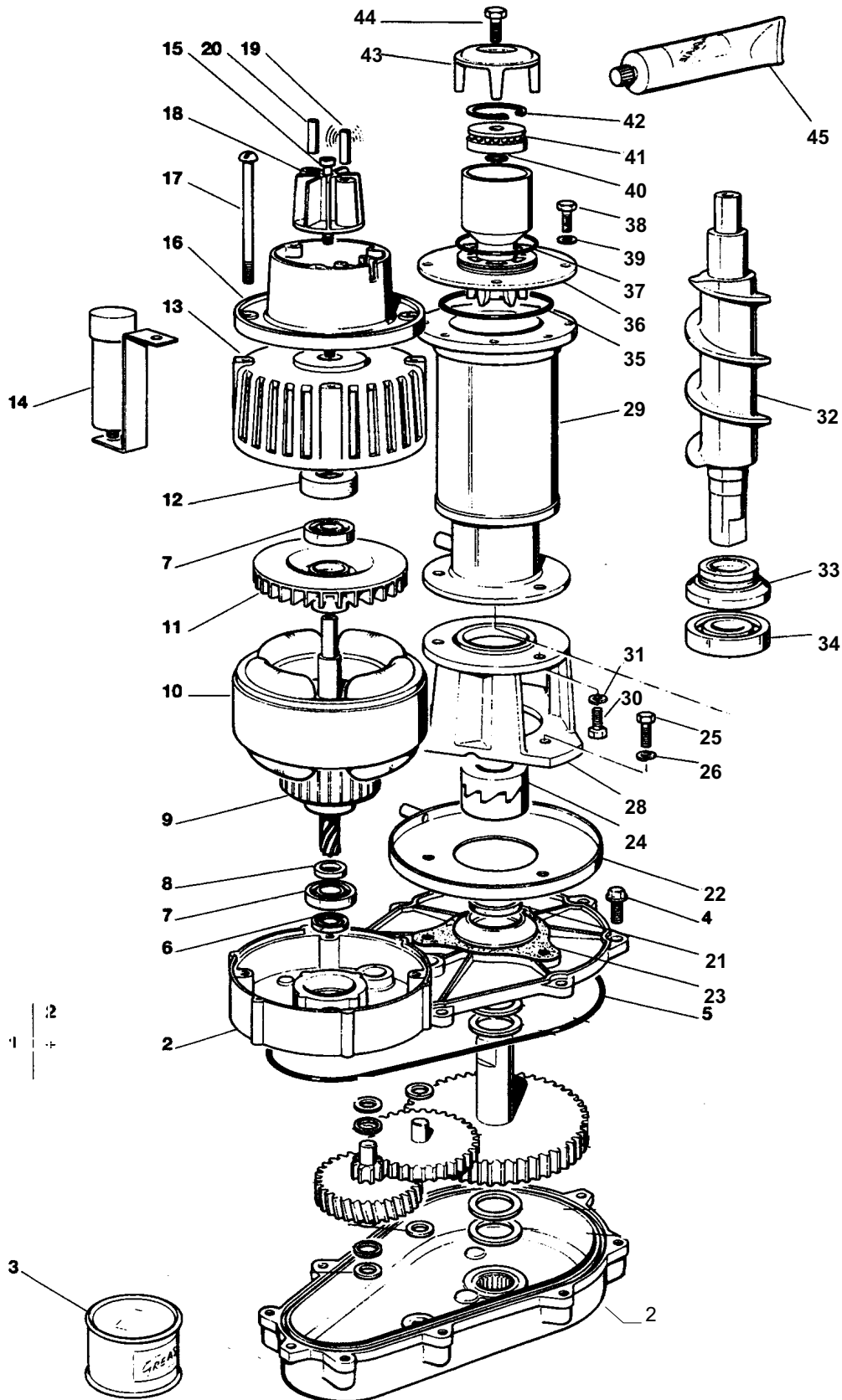
EFD 270 Service Parts

Water and Dispensing Part Numbers

Item	Part		Item	Part	
Number	Number	Description	Number	Number	Description
1	1011357-116	Water Inlet Fitting	34	1011357-11	Dispensing Motor
2	1011357-63	Strainer	35	1011357-111	Cover, Dispensing Motor
3	1011357-13	Fiber Washer	36	1011357-04	Screw
4	1011357-14	Nut	37	1011357-03	Shaft
5	No Number	Copper Water Inlet Tube	38	1011357-129	Ice Agitator
6	1011357-64	Water Inlet Valve	39	1011357-02	Pin, Vane
7	1011357-32	Plastic Tube	40	1011357-128	Bin Bottom
8	No Number	Copper Water Inlet Tube	41	1011357-57	Rubber washer
9	1011357-119	Nozzle			
10	1011357-24	Clip Ring			
11	1311357-61	O Ring			
12	1011357-124	Water Reservoir assy			
13	1011357-91	Float Valve assy			
14	1011357-115	Water Level Metal Pin			
15	1011357-89	Water Reservoir Cover			
16	1011357-30	Plastic Tube			
17	1011357-88	Water Drain Fitting			
18	1011357-90	Plastic Ring Nut			
19	1011357-29	Plastic Tube			
20	1011357-66	Valve Cap			
	1011357-68	Valve Body			
21	1011357-31	Plastic Tube			
22	1011357-94	Gear Motor Plastic Cover			
23-24	1011357-09	Insulation			
25-26	1011357-73	Insulation			
27	1011357-72	Spout Insulation			
28	1011357-98	Ice Spout			
29	1011357-132	Ice Spout Cover			
30	1011357-131	Storage Bin			
31	1011357-81	Insulation, Storage Bin Cover			
32	1011357-92	Cover, Storage Bin			
33	1011357-130	Bracket, Dispensing Motor			

EFD 270 Service Parts

Auger Drive and Evaporator



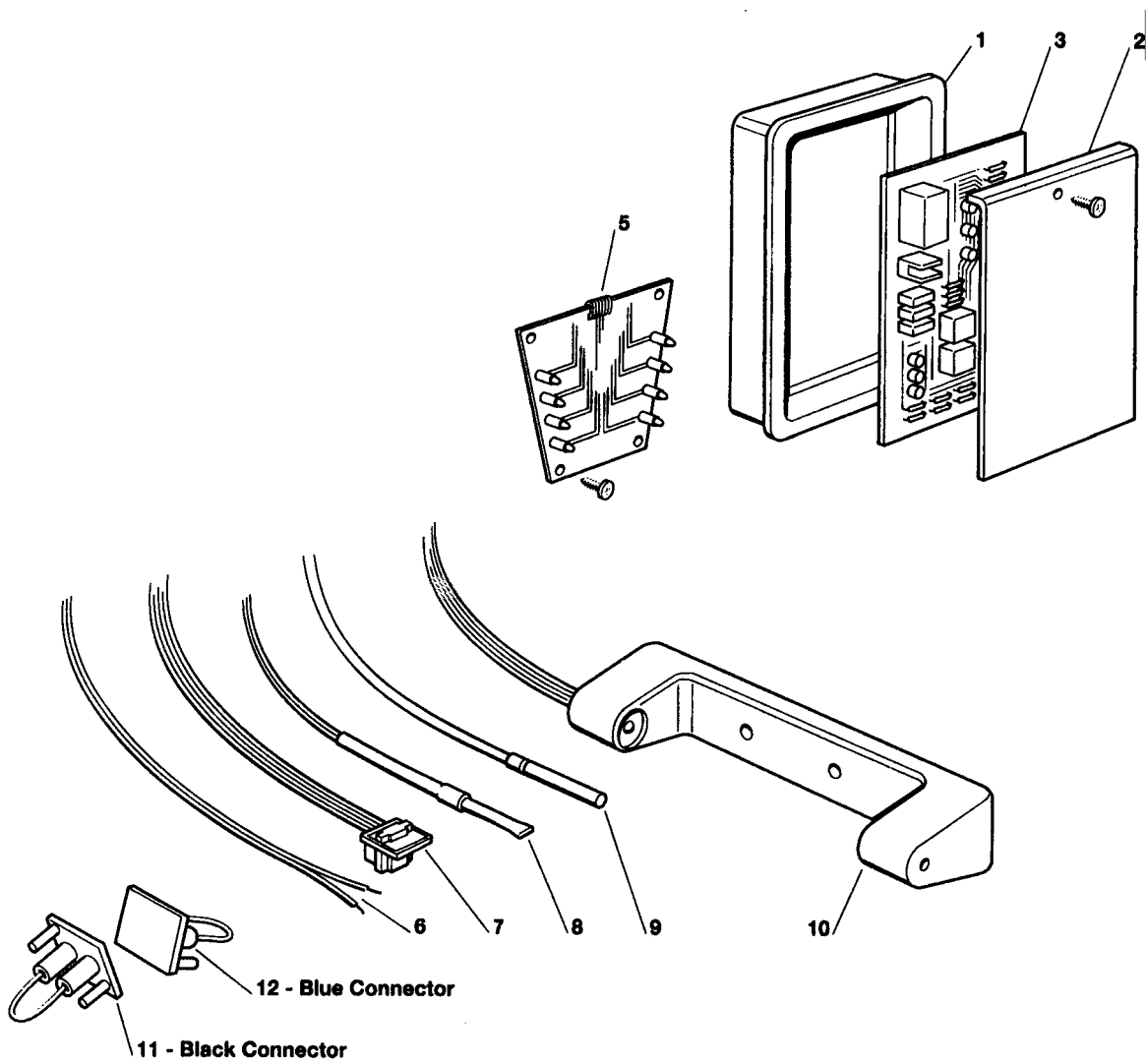
EFD 270 Service Parts

Auger Drive and Evaporator Part Numbers

Item Number	Part Number	Description	Item Number	Part Number	Description
1	1011357-126	Gear Reducer assy	36	1011357-75	Ice Breaker
2	1011357-01	Gear Case assy			Does not include Bearing or O-Ring
3	1011357-07	Grease (1 Kg)	37	1011357-54	O Ring
4	1011357-05	Screw	38	1011357-15	Screw
5	1011357-59	O Ring	39	1011357-22	Washer
6	1011357-58	Grease Seal	40	1011357-53	O Ring
7	1011357-85	Bearing	41	1011357-104	Top Bearing
8	1011357-23	Trust Washer	42	1011357-69	Clip Ring
9	1011357-125	R Rotor assy	43	1011357-74	Ice Sweep
10	1011357-37	Stator assy	44	1011357-16	Screw
11	1011357-117	Fan Blade	45	1011357-12	Water Proof Grease
12	1011357-60	Rubber Insert			
13	1011357-127	Drive Motor Cover			
14	1011357-36	Capacitor			
15	1011357-06	Screw			
16	1011357-70	Plastic Housing			
17	1011357-19	Screw			
18-19-20	1011357-123	Magneto Holder assy			
21	1011357-51	Grease Seal			
22	1011357-120	Drip Tray			
23	1011357-56	Gasket			
24	1011357-08	Coupling			
25	1011357-17	Screw			
26	1011357-20	Washer			
27	NO NUMBER	Freezer assy			
28	1011357-118	Aluminum Adapter			
29	1011357-122	Evaporator			
30	1011357-18	Screw			
31	1011357-21	Washer			
32	1011357-76	Auger			
33	1011357-52	Water Seal			
34	1011357-102	Lower Bearing			
35	1011357-55	O Ring			

EFD 270 Service Parts

Control System



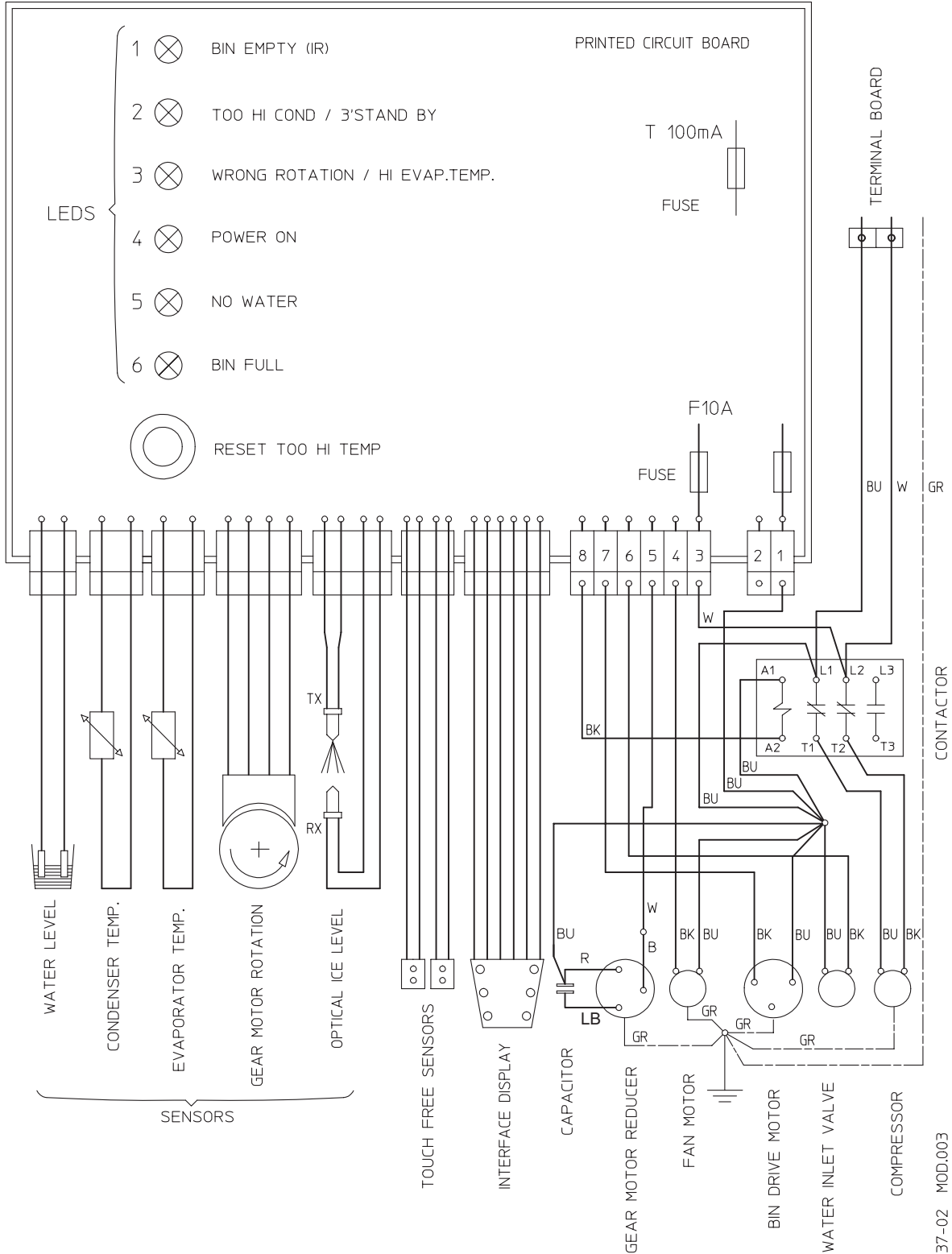
Item Number	Part Number	Description
1-2-3	1011357-48	P.C. Board & Box assy
5	1011357-45	Dispensing P.C.B.
6	1011357-41	Water Level Sensor
7	1011357-39	Hall Effect Sensor
8	1011357-38	Condenser Temp. Sensor
9	1011357-40	Evaporator Temp. Sensor
10	1011357-71	Ice Level Control Assy
11	1011357-47	Dispensing Sensor Tx (Black)
12	1011357-46	Dispensing Sensor rx (Blue)
13	1011357-28	Harness for dispensing sensor
14	1011357-50	Contactora (not shown)

EFD 270 Service Parts

Wiring Diagram

WIRING DIAGRAM (MACHINE OPERATING)

BU - BLUE
 W - WHITE
 BK - BLACK
 GR - GREEN
 R - RED
 B - BROWN
 LB - Light Blue



050537-02 MOD.003

Free Manuals Download Website

<http://myh66.com>

<http://usermanuals.us>

<http://www.somanuals.com>

<http://www.4manuals.cc>

<http://www.manual-lib.com>

<http://www.404manual.com>

<http://www.luxmanual.com>

<http://aubethermostatmanual.com>

Golf course search by state

<http://golfingnear.com>

Email search by domain

<http://emailbydomain.com>

Auto manuals search

<http://auto.somanuals.com>

TV manuals search

<http://tv.somanuals.com>