



EMF 800 Series Flake ICE Maker

- ✓ Produces up to 852 lbs. (387 Kgs.)* of ICE per day
- ✓ Constructed from sturdy, corrosion-resistant 300 series stainless steel
- ✓ Only 16 inches wide
- ✓ Available with an air-or water-cooled condenser



EMF 800 on a B55 Bin

***ICE-O-Matic® is the Best ICE Making Solution for:
Hard Water, Food Safety and Tight Spaces***

Problem

Tight-Fitting Spaces

Kitchen space utilization

Poor Ice Quality

Ice is too wet and soft

Operating Environments

Built to last?

Dirty Air Filter

Forget to change the air filter?

Solution

Maximum ICE

Maximum ICE production in a minimum amount of space :

- Maximum ICE production in a 16 inch wide cabinet
- Maximum ICE production in a 115 volt ICE Maker
- Works on all industry dispensers and bins

Dependable ICE

ICE-O-Matic Flake ICE Makers remove excess water by pushing the flaked ICE through an extrusion process. The result is high quality flaked ICE which is ideal for medical, supermarket or restaurant applications.

ICE-O-Matic® Tough

Constructed with a brass evaporator and rugged stainless steel transport system enclosed in polyurethane insulation

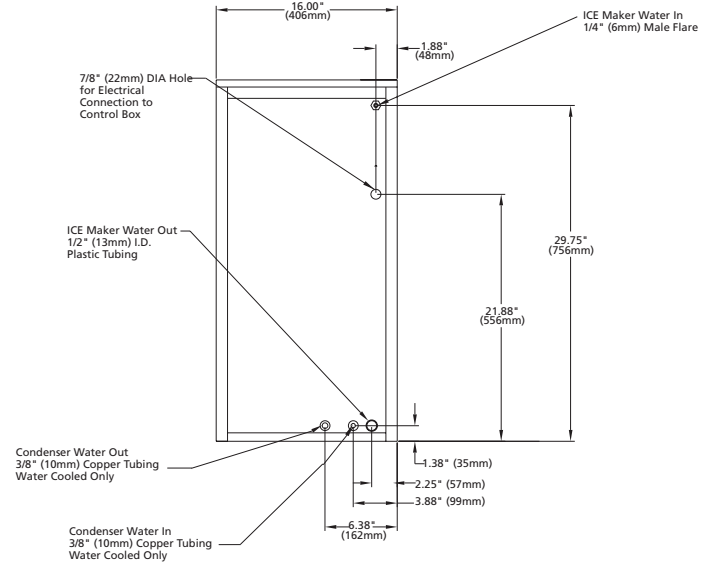
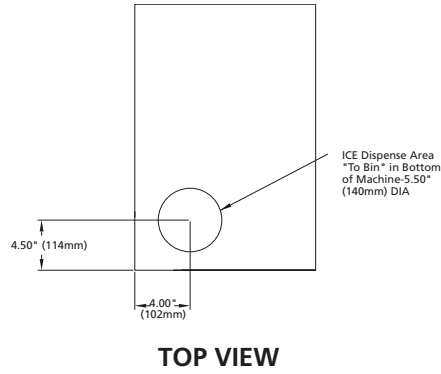
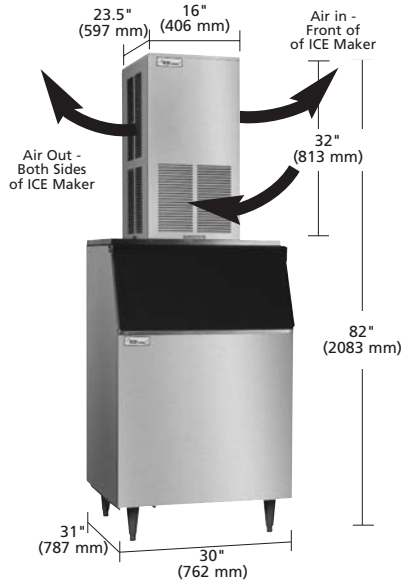
Filter-Free Air

No air filter to change

*Rated at 70 ° (21°) Air / 50° (10°) Water

EMF 800 Series Flake ICE Maker - Modular

Dimensions and Air Flow



ICE PRODUCTION CHART POUNDS (KILOGRAMS) PER 24 HOURS								
EMF 800				EMF 705				
Conds. Unit	Air Temp. °F (°C)	Water Temp. °F (°C)			Air Temp. °F (°C)	Water Temp. °F (°C)		
		80°(27°)	70°(21°)	50°(10°)		80°(27°)	70°(21°)	50°(10°)
Air Cooled	90° (32°)	588 (267)	632 (287)	691 (314)	90° (32°)	568 (258)	641 (291)	625 (284)
	80° (27°)	622 (283)	669 (304)	736 (334)	80° (27°)	613 (278)	692 (314)	723 (328)
	70° (21°)	659 (300)	709 (322)	780 (355)	70° (21°)	662 (301)	748 (339)	821 (373)
Water Cooled	90° (32°)	703 (320)	756 (344)	794 (361)				
	80° (27°)	696 (316)	748 (340)	823 (374)				
	70° (21°)	720 (327)	774 (352)	852 (387)				

OPERATING LIMITS	
Ambient Temp. Range	50° - 104°F (10° - 40°C) 60Hz
Air & Water	50° - 110°F (10° - 43°C) 50Hz
Water Temp. Range	40° - 80°F (4.5° - 27°C)
Water Pressure Ice Maker Water in	Min. 20 psi (1.4 bar) Max. 60 psi (6.9 bar)
Condenser Inlet Water (Water cooled only)	Min. 20 psi (1.4 bar) Max. 60 psi (6.9 bar)

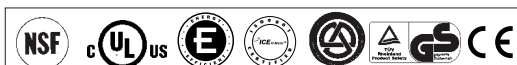
All specifications and performance data are subject to normal manufacturing variances.

ORDERING AND SPECIFICATION INFORMATION

Model No.	Cond. Unit	ICE Production per 24 hrs. at 70° Air/50° Water lbs. (Kgs.)	ICE Production per 24 hrs. at 90° Air/70° Water lbs. (Kgs.)	Water Used-Gals. (Lits.) per 100 lbs. of ICE 90° Air/70° Water		Kilowatts Used per 100 lbs. of ICE 90° Air 70° Water	Btuh	Voltage Characteristics	No. of Wires	Min. Circuit Amp.	Max. Fuse Size	Shipping Weight lbs. (Kgs.)
				ICE Prod. Use	Cond. Use							
EMF800AS	Air	780 (355)	632 (287)	12.0 (45)	n/a	4.3	7693	115/60/1	3	19.8	20	205 (93)
EMF800WS	Water	852 (387)	756 (344)	12.0 (45)	146.6 (555)	3.2	8261	115/60/1	3	16.5	20	205 (93)
EMF705AS	Air	821 (373)	641 (291)	12.0 (45)	n/a	4.1	5170	220-240/50/1	3	8.6	15	205 (93)

See Bin specification sheet for information on ICE storage bins

Please note: air-cooled units require 6" (152 mm) clearance for air intake and exhaust.



We reserve the right to make changes in design and construction at any time without obligation.
2003© ICE-O-Matic Rev Code: 2005A-07/03-55

ICE o-Matic®

ICE-O-Matic 11100 E. 45th Avenue, Denver, CO 80239
Tel. 303 371-3737 Fax. 303 371-6296 www.iceomatic.com

Free Manuals Download Website

<http://myh66.com>

<http://usermanuals.us>

<http://www.somanuals.com>

<http://www.4manuals.cc>

<http://www.manual-lib.com>

<http://www.404manual.com>

<http://www.luxmanual.com>

<http://aubethermostatmanual.com>

Golf course search by state

<http://golfingnear.com>

Email search by domain

<http://emailbydomain.com>

Auto manuals search

<http://auto.somanuals.com>

TV manuals search

<http://tv.somanuals.com>