

# ***Ice-O-Matic***<sup>®</sup>

**SERVICE PARTS MANUAL  
ICE SERIES CUBERS  
MODEL - ICE0806A3-W3-R4, ICE1006A3-W3-R4  
Includes 50Hz. and 3 Phase Units**



**Ice-O-Matic  
11100 East 45th Ave  
Denver, Colorado 80239  
Part Number 9081307-02**

**Date 1/09**



This parts list contains the service parts available for the ICE Series icemakers listed below:

**ICE0806 A3, W3 and R4, Includes 50 hz. Models**

**ICE1006 A3, W3 and R4, Includes 50 hz.and 3 Phase Models**

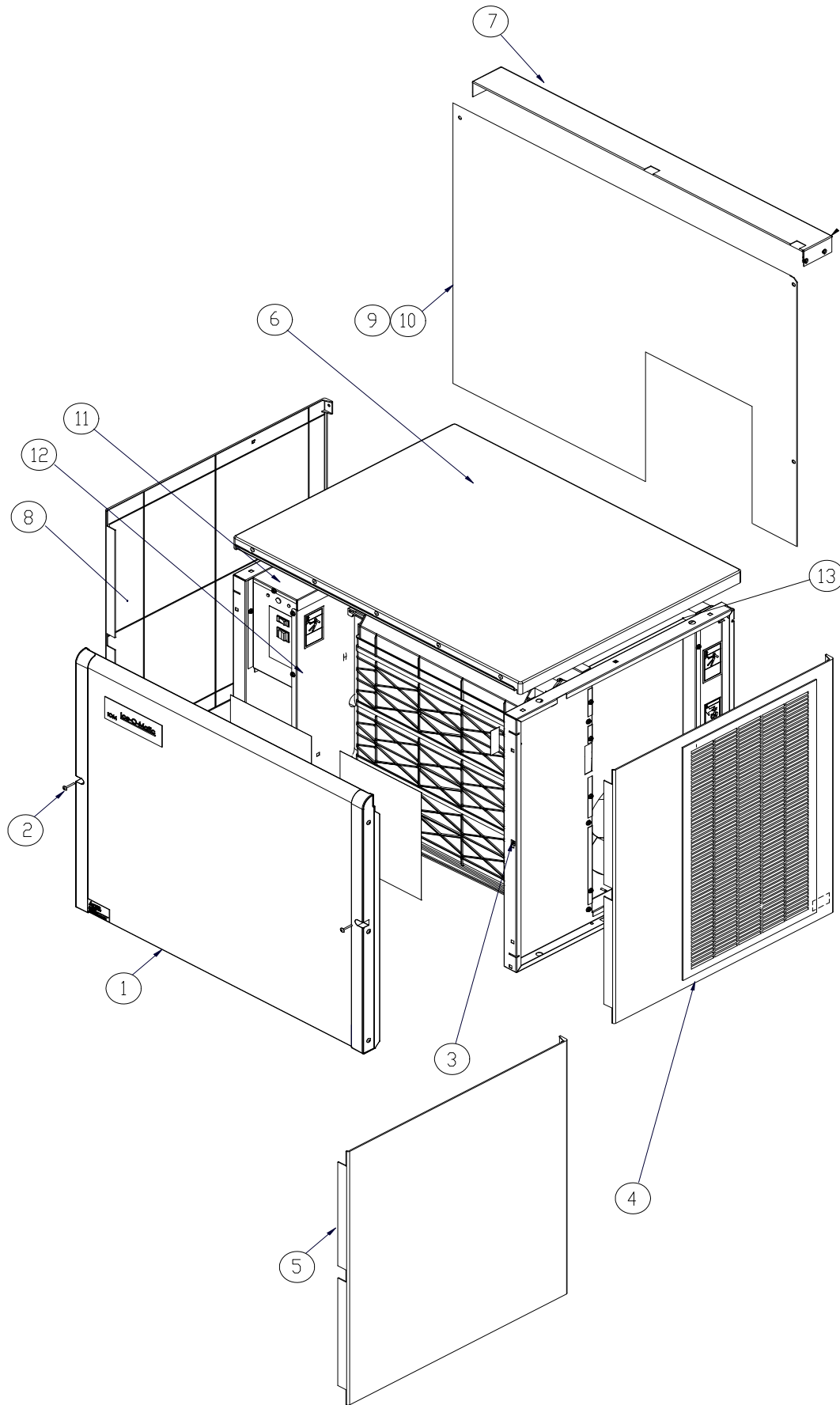
Check the model number on the data plate and refer to the correct listing for the specific component.

Check carefully that the correct part is identified and ordered.

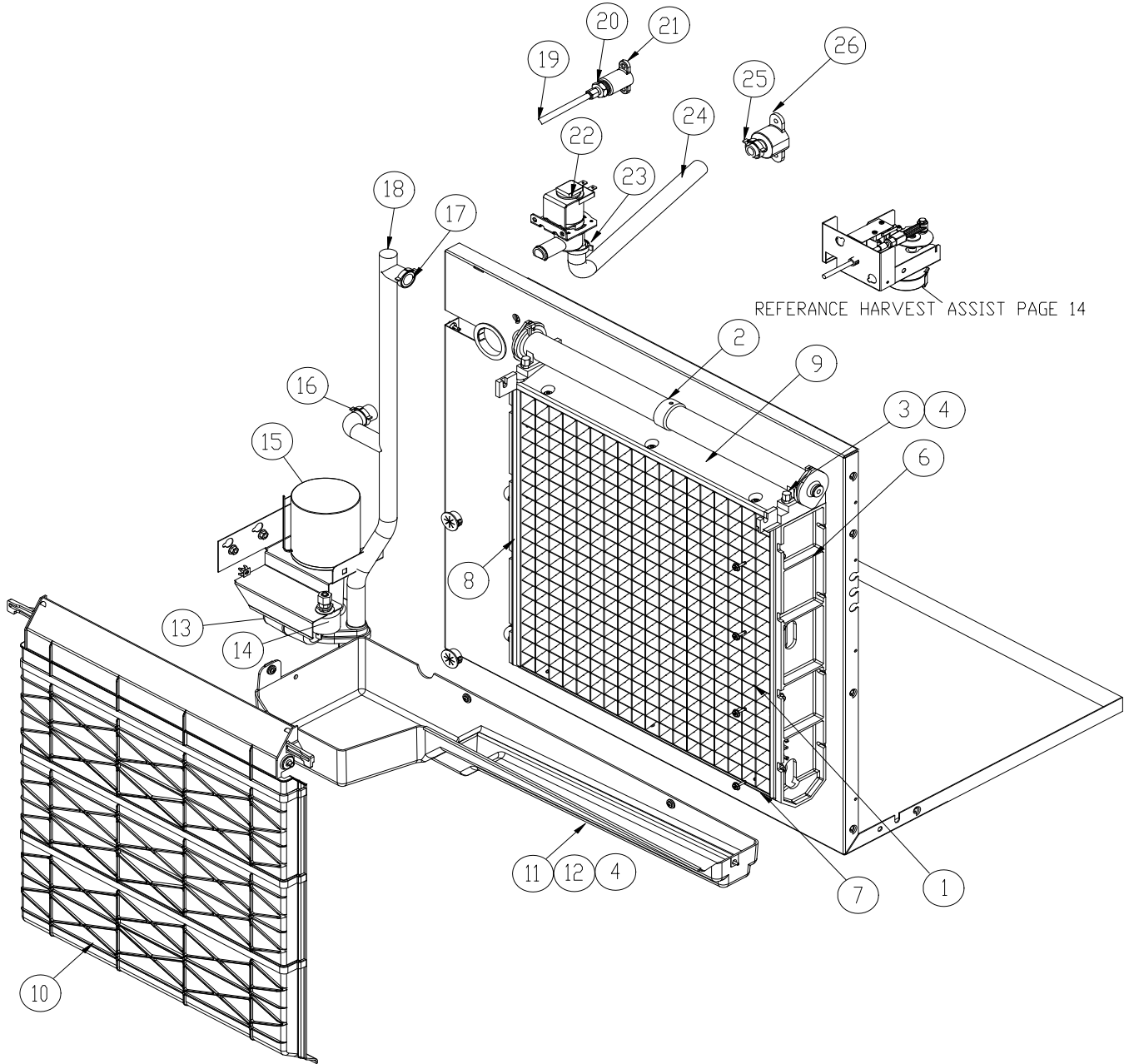
Table of Contents	Page 1
Cabinet Assembly	Page 2 - 3
Evaporator/Water System	Page 4 - 5
Air Cooled and Top Discharge	Page 6 - 7
Water Cooled	Page 8 - 9
Remote	Page 10 - 11
Control Box	Page 12 - 13
Specific Compressor Components	Page 13
Harvest Assist Assembly	Page 14 - 15
Remote Condenser	Page 16 - 17

**The ICE Series Service Manual is available separately, Part number 9081270-01**

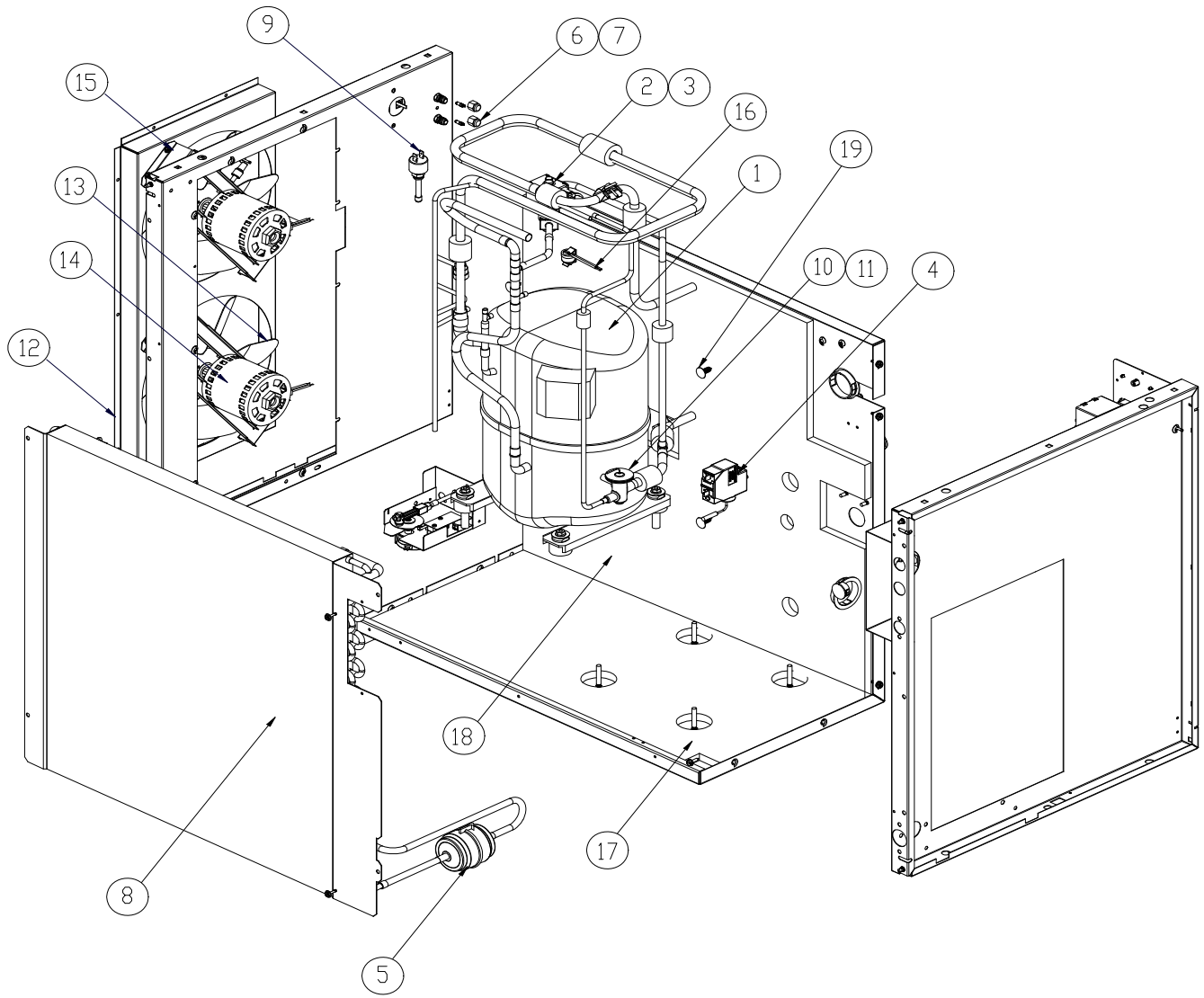
Ice-O-Matic  
11100 East 45th Ave.  
Denver Co. 80239  
800-423-3367



Item No.	Model Number					Description
	ICE0805	ICE0806	ICE1005	ICE1006	ICE1007	
1	2031511-02S	2031511-02S	2031511-02S	2031511-02S	2031511-02S	Front Panel
	9051562-03	9051562-03	9051562-03	9051562-03	9051562-03	Front Panel End Cap, Right Hand
	9051562-04	9051562-04	9051562-04	9051562-04	9051562-04	Front Panel End Cap, Left Hand
2	9031098-04	9031098-04	9031098-04	9031098-04	9031098-04	Front Panel Screws
3	9031141-01	9031141-01	9031141-01	9031141-01	9031141-01	Plastic Nut
4	2101428-02	2101428-02	2101428-02	2101428-02	2101428-02	Right Hand Side Panel-Air Cooled Only
5	9051565-04	9051565-04	9051565-04	9051565-04	9051565-04	Right Hand Side Panel-Water and Remote Only
6	2101425-01S	2101425-01S	2101425-01S	2101425-01S	2101425-01S	Top Panel
7	3012724-01	3012724-01	3012724-01	3012724-01	3012724-01	Rear Brace
8	9051565-04	9051565-04	9051565-04	9051565-04	9051565-04	Left Hand Side Panel
9	3021740-01	3021740-01	3021740-01	3021740-01	3021740-01	Rear Panel
10	9031046-01	9031046-01	9031046-01	9031046-01	9031046-01	Rear Panel Screws
11	3012905-01	3012905-01	3012905-01	3012905-01	3012905-01	Control Box Top Cover
12	3012891-01	3012891-01	3012891-01	3012891-01	3012891-01	Control Box Side Cover
13	3012931-01	N/A	3012931-01	N/A	N/A	Machine Compartment Cover



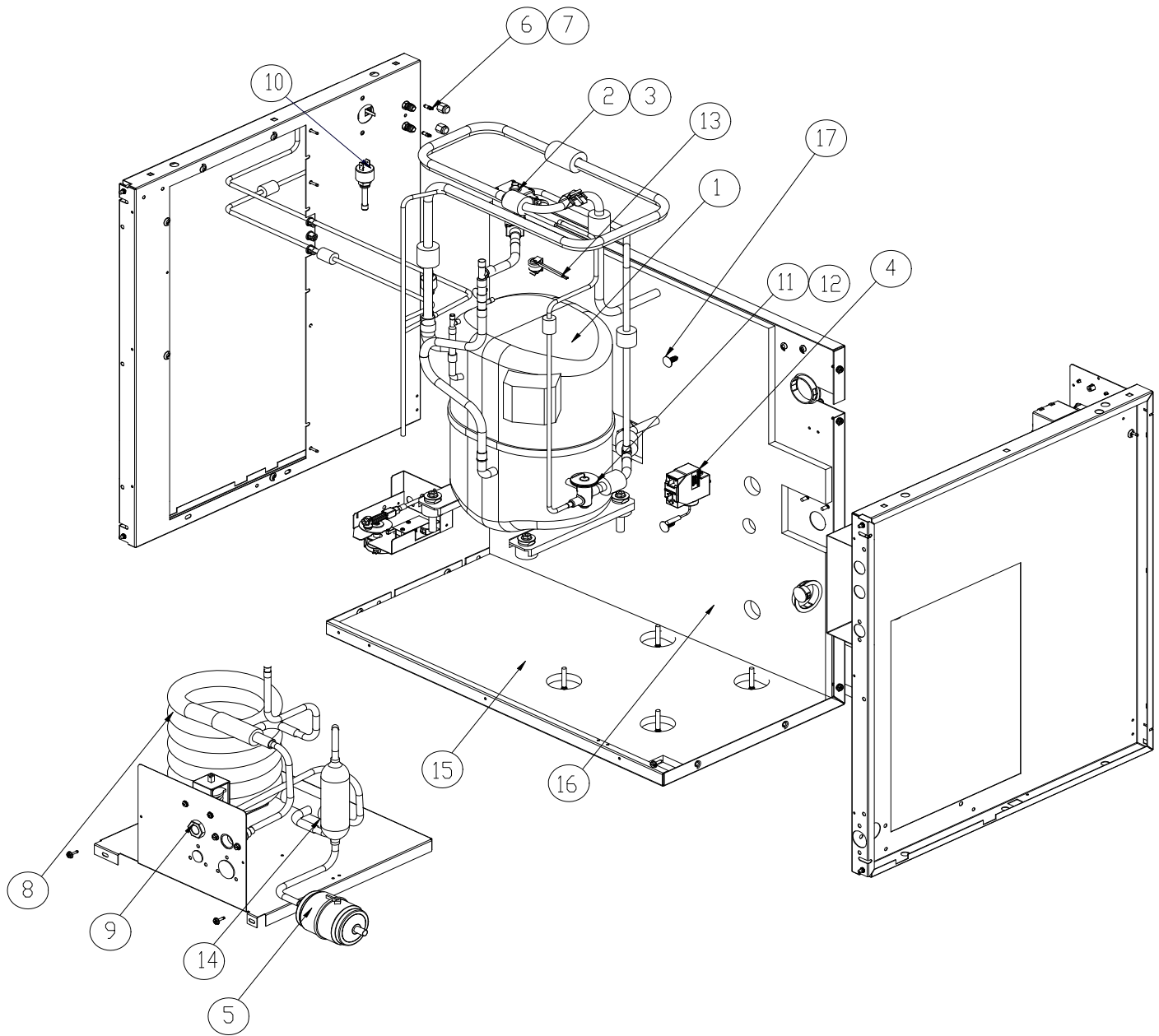
Item No.	Model Number					Description
	ICE0805	ICE0806	ICE1005	ICE1006	ICE1007	
1	2051239-81	2051239-81	2051239-81	2051239-81	2051239-81	Evaporator Full Cube
1	2051239-82	2051239-82	2051239-82	2051239-82	2051239-82	Evaporator Half Cube
2	2041338-01	2041338-01	2041338-01	2041338-01	2041338-01	Water Distribution Tube
3	9031122-01	9031122-01	9031122-01	9031122-01	9031122-01	Thumb Screw
4	9031004-19	9031004-19	9031004-19	9031004-19	9031004-19	Rubber Washer
5	N/A	N/A	N/A	N/A	N/A	Curtain Stopper
6	9051170-03	9051170-03	9051170-03	9051170-03	9051170-03	Evaporator Mounting Panel Right Side
7	9051135-04	9051135-04	9051135-04	9051135-04	9051135-04	Evaporator Water Return
8	9051170-04	9051170-04	9051170-04	9051170-04	9051170-04	Evaporator Mounting Panel Left Side
9	9051135-05	9051135-05	9051135-05	9051135-05	9051135-05	Evaporator Spillway
10	9051154-12	9051154-12	9051154-12	9051154-12	9051154-12	Evaporator Splash Curtain
11	9051537-01	9051537-01	9051537-01	9051537-01	9051537-01	Water Return Trough
12	9031046-24	9031046-24	9031046-24	9031046-24	9031046-24	Water Return Trough Screw
13	9131111-01	9131111-01	9131111-01	9131111-01	9131111-01	Float
14	9131026-02	9131026-02	9131026-02	9131026-02	9131026-02	Caplug (Float Deflector)
15	9161079-03	9161079-03	9161079-03	9161079-03	9161079-03	Water Pump
16	9021010-04	9021010-04	9021010-04	9021010-04	9021010-04	Clamp
17	9021010-04	9021010-04	9021010-04	9021010-04	9021010-04	Clamp
18	9051472-01	9051472-01	9051472-01	9051472-01	9051472-01	Water Pump Tube
19	3032898-26	3032898-26	3032898-26	3032898-26	3032898-26	Water Float Tubing (26 Inches required)
20	9091083-01	9091083-01	9091083-01	9091083-01	9091083-01	Water Inlet Fitting
21	9091074-01	9091074-01	9091074-01	9091074-01	9091074-01	Drop Adapter
22	9041086-02	9041086-02	9041086-02	9041086-02	9041086-02	Purge Valve
23	9021010-04	9021010-04	9021010-04	9021010-04	9021010-04	Clamp
24	3051222-18	3051222-18	3051222-18	3051222-18	3051222-18	Purge Drain Hose
25	9021010-03	9021010-03	9021010-03	9021010-03	9021010-03	Clamp
26	9091140-01	9091140-01	9091140-01	9091140-01	9091140-01	Purge Drain Fitting



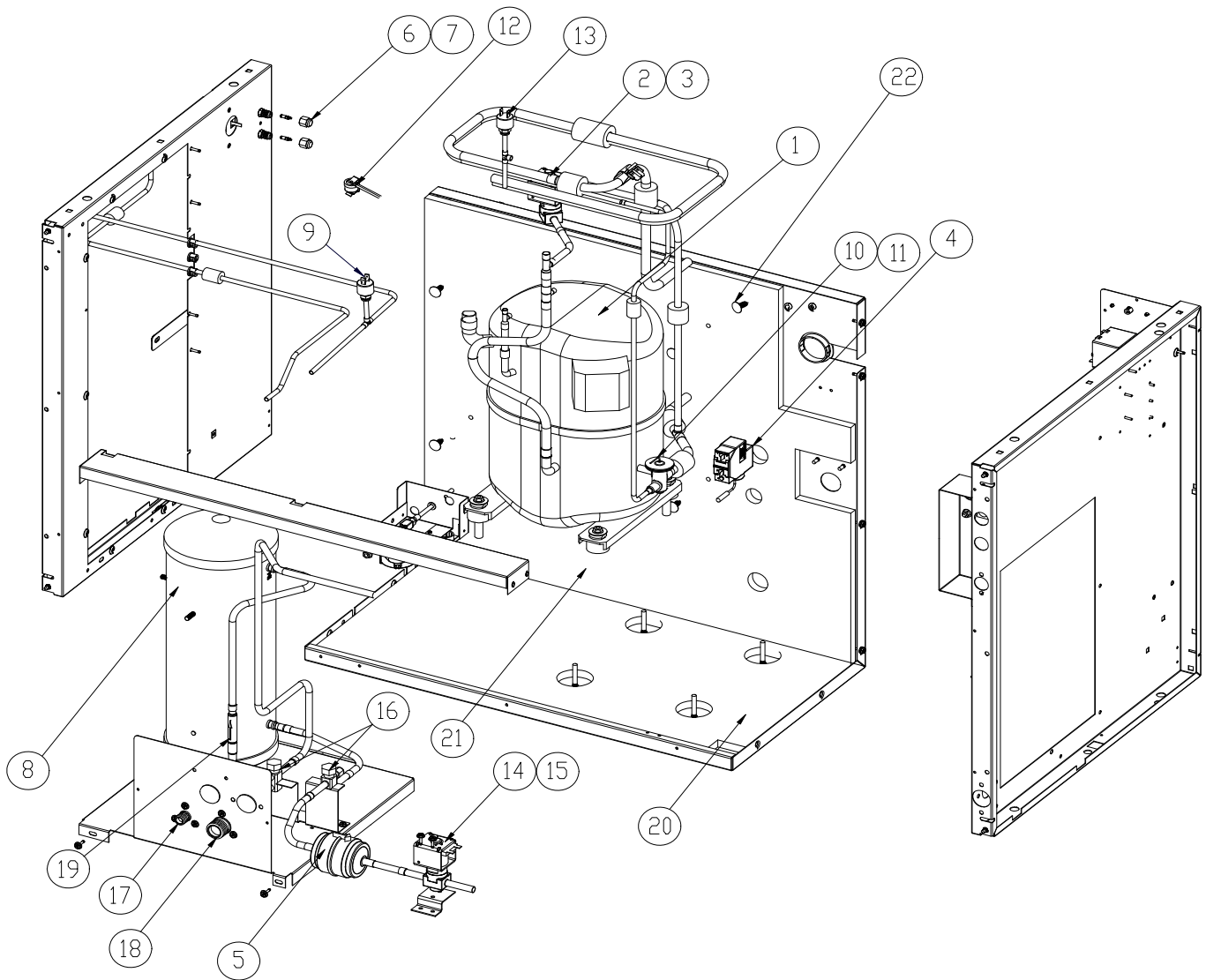


Item	Model Number					Description
No.	ICE0805	ICE0806	ICE1005	ICE1006	ICE1007	
1	9181107-12	9181106-11	9181090-12	9181107-11	9181107-13	Compressor Kit
2	9151123-02	9151123-02	9151123-02	9151123-02	9151123-02	Hot Gas Valve Body
3	9151123-04	9151123-04	9151123-04	9151123-04	9151123-04	Hot Gas Valve Coil
4	9041094-01	9041094-01	9041094-01	9041094-01	9041094-01	Low Pressure Control
5	9151004-04	9151004-04	9151004-04	9151004-04	9151004-04	Filter Drier
6	9091086-02	9091086-02	9091086-02	9091086-02	9091086-02	Service Valve Core
7	9091086-03	9091086-03	9091086-03	9091086-03	9091086-03	Service Valve Cap
8	9141122-01	9141122-01	9141122-01	9141122-01	9141122-01	Condenser
9	9041096-01	9041096-01	9041096-01	9041096-01	9041096-01	Fan Control
10	9151147-01	9151147-01	9151147-01	9151147-01	9151147-01	Expansion Valve
11	9131465-01	9131465-01	9131465-01	9131465-01	9131465-01	Insulation-Danfoss Expansion Valve
12	3012742-01	3012742-01	3012741-01	3012741-01	3012741-01	Fan Shroud
13	9131383-01	9131332-02	9131383-01	9131333-01	9131333-01	Fan Blade
14	9161078-02	9161089-03	9161078-02	9161089-03	9161089-03	Fan Motor
15	2021612-01	3012527-01	2021612-01	3012527-01	3012527-01	Fan Motor Bracket
16	9041098-01	9041098-01	9041098-01	9041098-01	9041098-01	High Temperature Safety Control
17	9131353-02	9131353-02	9131353-02	9131353-02	9131353-02	Insulation Panel Bottom
18	9131456-01	9131456-01	9131456-01	9131456-01	9131456-01	Insulation Panel Top Divider
19	9031154-01	9031154-01	9031154-01	9031154-01	9031154-01	Insulation Clip

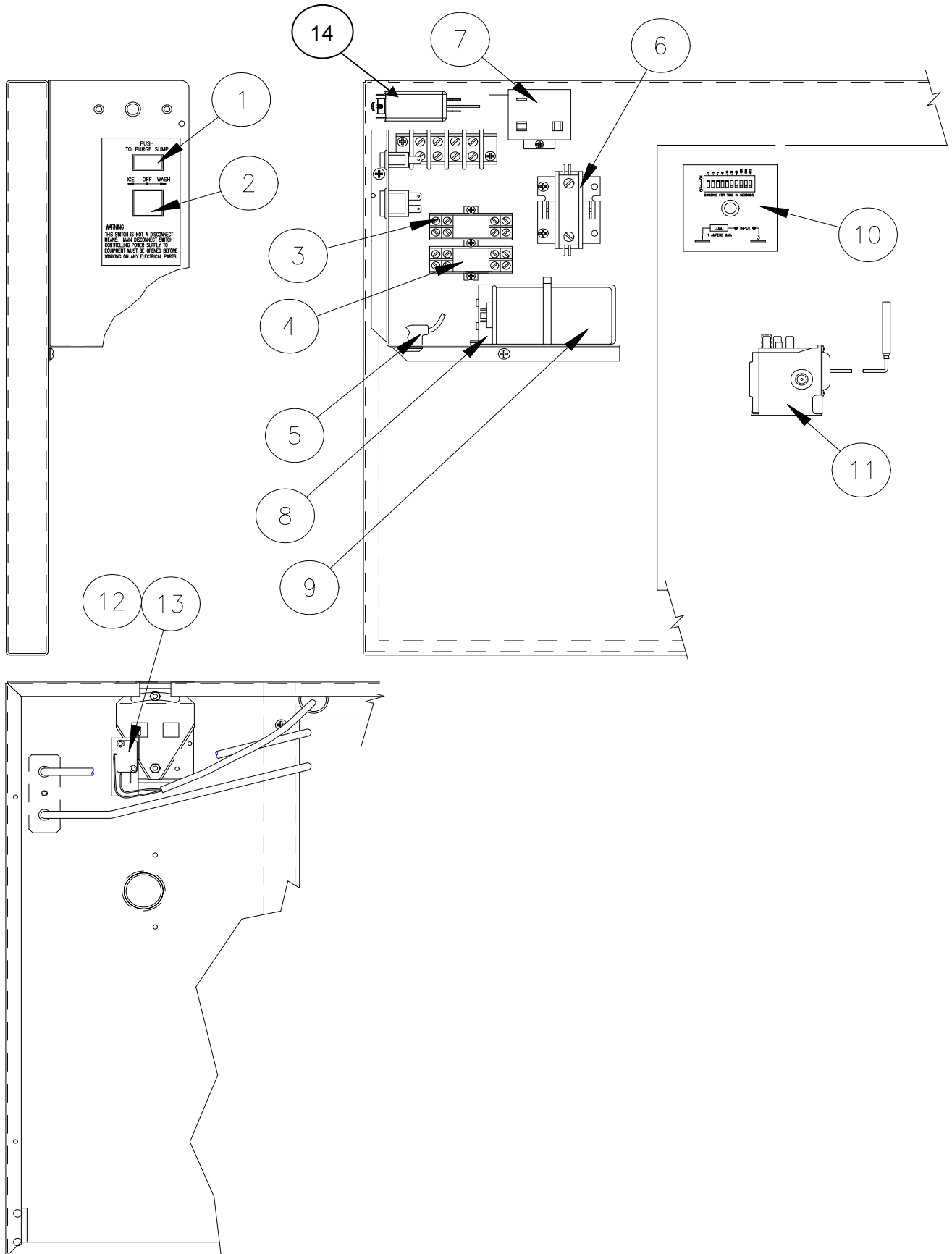
**Note:** The ICE800 series has 1 fan motor, the ICE1000 series has 2 fan motors.



Item No.	Model Number					Description
	ICE0805	ICE0806	ICE1005	ICE1006	ICE1007	
1	9181107-12	9181106-11	9181090-12	9181107-11	9181107-13	Compressor
2	9151148-01	9151148-01	9151148-01	9151148-01	9151148-01	Hot Gas Valve Body
3	9151123-04	9151123-04	9151123-04	9151123-04	9151123-04	Hot Gas Valve Coil
4	9041094-01	9041094-01	9041094-01	9041094-01	9041094-01	Low Pressure Control
5	9151004-03	9151004-03	9151004-03	9151004-03	9151004-03	Filter Drier
6	9091086-02	9091086-02	9091086-02	9091086-02	9091086-02	Service Valve Core
7	9091086-03	9091086-03	9091086-03	9091086-03	9091086-03	Service Valve Cap
8	9141061-02	9141061-02	9141061-02	9141061-02	9141061-02	Condenser
9	9041059-01	9041059-01	9041059-01	9041059-01	9041059-01	Water Valve
10	9041091-01	9041091-01	9041091-01	9041091-01	9041091-01	High Pressure Control
11	9151147-01	9151147-01	9151147-01	9151147-01	9151147-01	Expansion Valve
12	9131465-01	9131465-01	9131465-01	9131465-01	9131465-01	Insulation-Danfoss Expansion Valve
13	9041098-01	9041098-01	9041098-01	9041098-01	9041098-01	High Temperature Safety Control
14	9151155-01	9151155-01	9151155-01	9151155-01	9151155-01	Accumulator
15	9131353-02	9131353-02	9131353-02	9131353-02	9131353-02	Insulation Panel Bottom
16	9131456-01	9131456-01	9131456-01	9131456-01	9131456-01	Insulation Panel Top Divider
17	9031154-01	9031154-01	9031154-01	9031154-01	9031154-01	Insulation Clip



Item No.	Model Number					Description
	ICE0805	ICE0806	ICE1005	ICE1006	ICE1007	
1	9181107-12	9181106-11	9181090-12	9181090-11	9181107-13	Compressor
2	9151123-02	9151123-02	9151123-02	9151123-02	9151123-02	Hot Gas Valve Body
3	9151123-04	9151123-04	9151123-04	9151123-04	9151123-04	Hot Gas Valve Coil
4	9041094-01	9041094-01	9041094-01	9041094-01	9041094-01	Low Pressure Control
5	9151004-04	9151004-04	9151004-04	9151004-04	9151004-04	Filter Drier
6	9091086-02	9091086-02	9091086-02	9091086-02	9091086-02	Service Valve Core
7	9091086-03	9091086-03	9091086-03	9091086-03	9091086-03	Service Valve Cap
8	9151060-01	9151060-01	9151060-01	9151060-01	9151060-01	Receiver
9	9041091-01	9041091-01	9041091-01	9041091-01	9041091-01	High Pressure Control
10	9151147-01	9151147-01	9151147-01	9151147-01	9151147-01	Expansion Valve
11	9131465-01	9131465-01	9131465-01	9131465-01	9131465-01	Insulation Danfoss Expansion Valve
12	9041098-01	9041098-01	9041098-01	9041098-01	9041098-01	High Temperature Safety Control
13	9041092-02	9041092-02	9041092-02	9041092-02	9041092-02	Pump Down Control
14	9151123-02	9151123-02	9151123-02	9151123-02	9151123-02	Liquid Line Solenoid Body
15	9151123-04	9151123-04	9151123-04	9151123-04	9151123-04	Liquid Line Solenoid Coil
16	9091143-01	9091143-01	9091143-01	9091143-01	9091143-01	Valve-Shut Off
17	9091001-11	9091001-11	9091001-11	9091001-11	9091001-11	Remote Fitting 3/8 Male
18	9091001-12	9091001-12	9091001-12	9091001-12	9091001-12	Remote Fitting 1/2 Male
19	9151139-01	9151139-01	9151139-01	9151139-01	9151139-01	Check Valve
20	9131353-02	9131353-02	9131353-02	9131353-02	9131353-02	Insulation Panel Bottom
21	9131456-01	9131456-01	9131456-01	9131456-01	9131456-01	Insulation Panel Top Divider
22	9031154-01	9031154-01	9031154-01	9031154-01	9031154-01	Insulation Clip

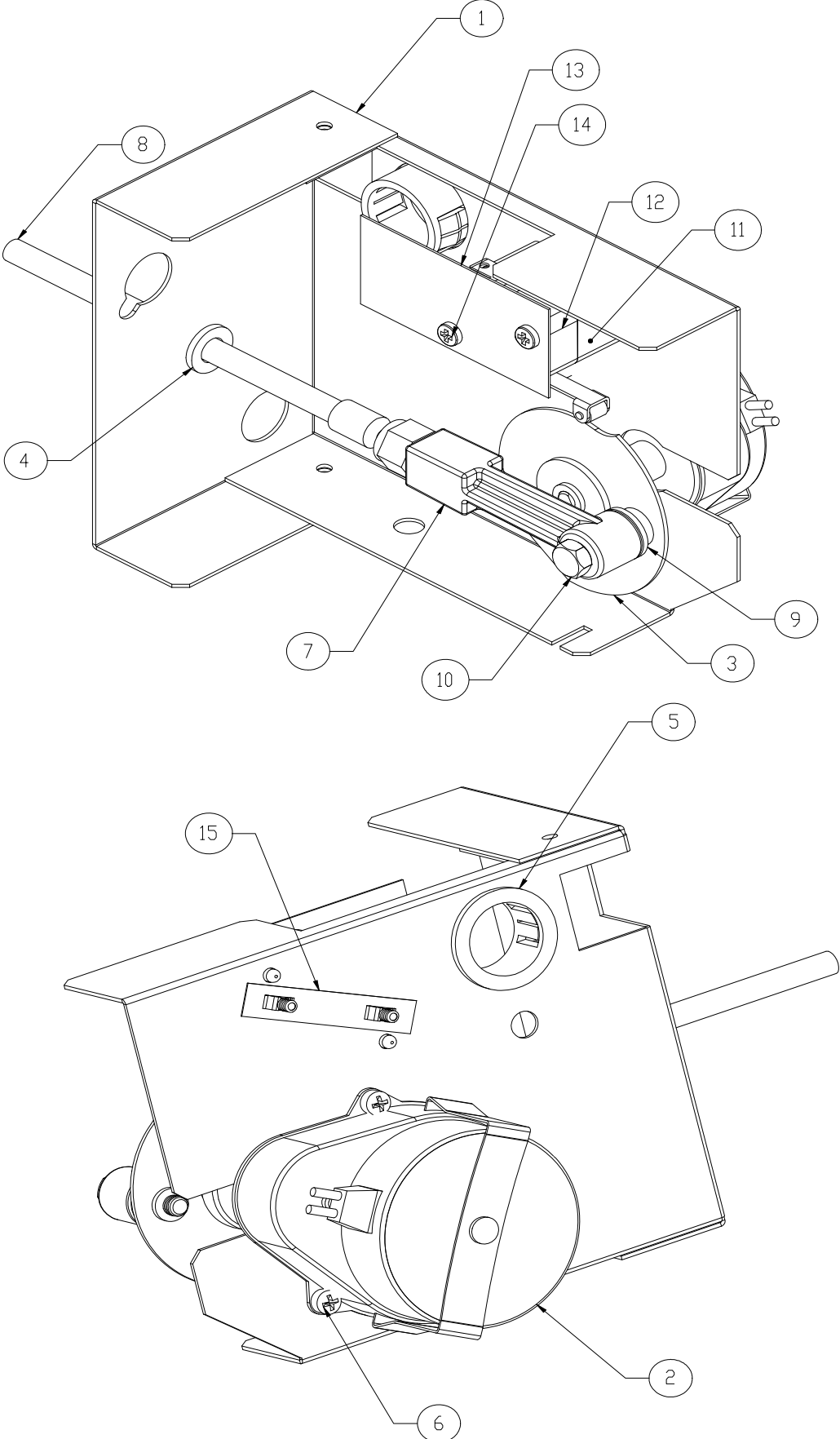


Item No.	Model Number					Description
	ICE0805	ICE0806	ICE1005	ICE1006	ICE1007	
1	9101139-03	9101139-03	9101139-03	9101139-03	9101139-03	Purge Switch
2	9101195-01	9101195-01	9101195-01	9101195-01	9101195-01	ON-OFF-WASH Switch
3	9101083-01	9101083-01	9101083-01	9101083-01	9101083-01	Relay Socket
4	9101084-01	9101084-01	9101084-02	9101084-01	9101084-02	Relay
5	9101218-12	9101218-12	9101218-12	9101218-12	9101218-12	Water Pump Cord
6	9101002-06	9101002-06	9101002-06	9101002-06	9101079-02	Contactora
7	See Below	See Below	See Below	See Below	N/A	Compressor Start Relay
8	See Below	See Below	See Below	See Below	N/A	Start Capacitor
9	See Below	See Below	See Below	See Below	N/A	Run Capacitor
10	9101148-01	9101148-01	9101148-01	9101148-01	9101148-01	Timer
11	9041094-01	9041094-01	9041094-01	9041094-01	9041094-01	Low Pressure Timer Initiate
12	2061471-03	2061471-03	2061471-03	2061471-03	2061471-03	Curtain Switch Assembly
13	9101124-02	9101124-02	9101124-02	9101124-02	9101124-02	Curtain Switch
14	9041004-03	9041004-03	9041004-03	9041004-03	9041004-03	Bin Thermostat

### Compressor Components

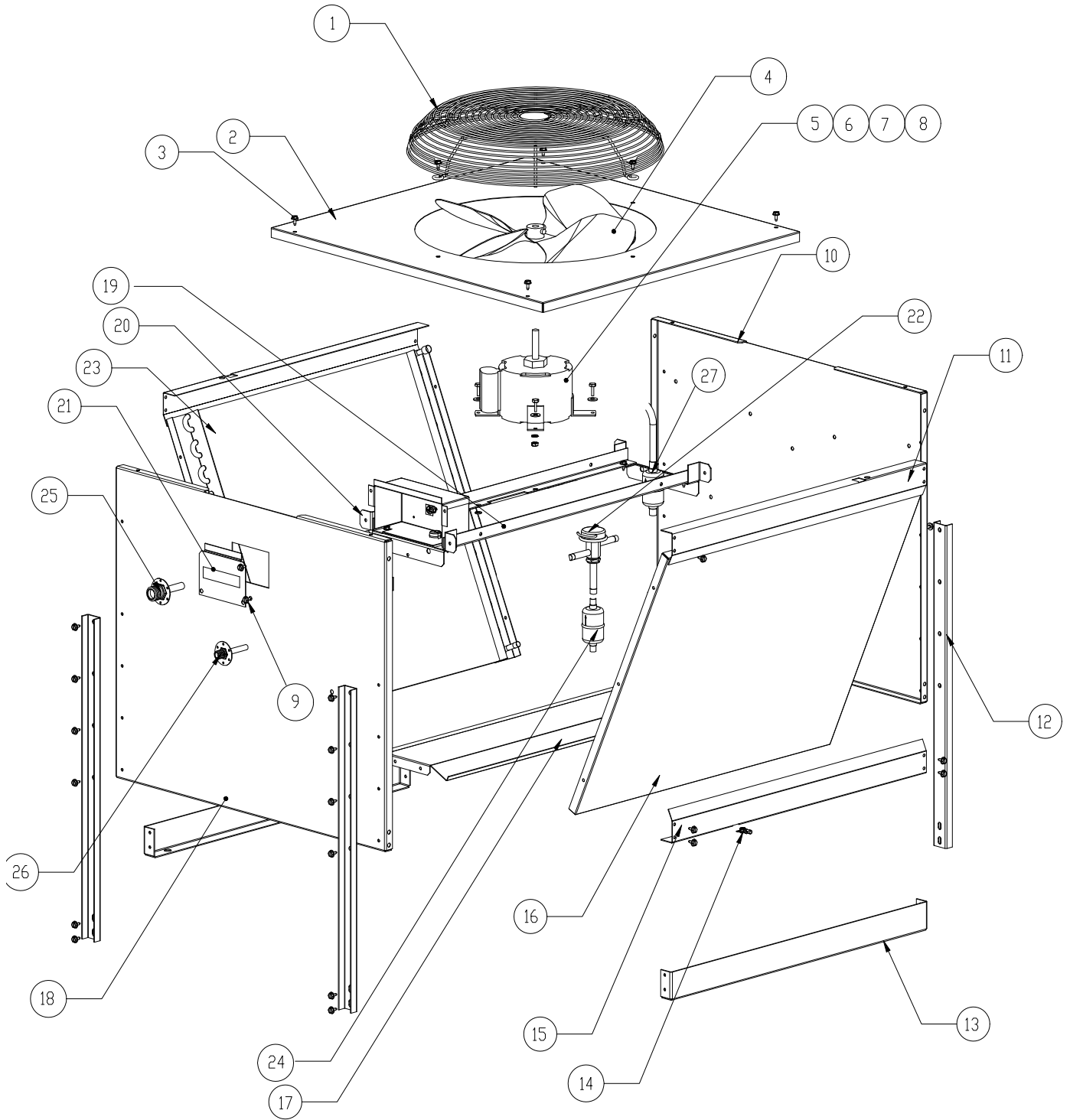
Model Number	
ICE806 A & W & R	9181106-11 Compressor 9181003-07 Start Capacitor 9181009-16 Run Capacitor 9181010-12 Relay
ICE 1006 A & W	9181107-11 Compressor 9181003-07 Start Capacitor 9181009-16 Run Capacitor 9181010-12 Relay
ICE805 A W & R	9181107-12 Compressor 9181003-32 Start Capacitor 9181009-17 Run Capacitor 9181010-04 Relay
ICE1007 A W & R	9181107-13 Compressor N/A Start Capacitor N/A Run Capacitor N/A Relay
ICE1006 R	9181090-11 Compressor 9181003-19 Start Capacitor 9181009-12 Run Capacitor 9181010-10 Relay
ICE1005 A W & R	9181090-12 Compressor 9181003-07 Start Capacitor 9181009-12 Run Capacitor 9181010-12 Relay

A = Air Cooled  
W= Water Cooled  
R= Remote





Item No.	Model Number					Description
	ICE0805	ICE0806	ICE1005	ICE1006	ICE1007	
1	3013170-01	3013170-01	3013170-01	3013170-01	3013170-01	Bracket, Probe Motor
2	9161031-01	9161031-01	9161031-01	9161031-01	9161031-01	Gear Motor
3	9131190-01	9131190-01	9131190-01	9131190-01	9131190-01	Clutch Assembly 180 Degree
4	9051001-13	9051001-13	9051001-13	9051001-13	9051001-13	Snap Bushing
5	9051001-03	9051001-03	9051001-03	9051001-03	9051001-03	Snap Bushing
6	9031019-08	9031019-08	9031019-08	9031019-08	9031019-08	#6-32 x 1/2 Fillister Head Screw
7	9051057-01	9051057-01	9051057-01	9051057-01	9051057-01	Connecting Rod
8	9021102-01	9021102-01	9021102-01	9021102-01	9021102-01	Probe, Single Length
9	9031003-03	9031003-03	9031003-03	9031003-03	9031003-03	Plain Flat Washer
10	9031119-01	9031119-01	9031119-01	9031119-01	9031119-01	Shoulder Screw
11	9051519-01	9051519-01	9051519-01	9051519-01	9051519-01	Spacer, Cam Switch
12	9101160-01	9101160-01	9101160-01	9101160-01	9101160-01	Cam Switch
13	3051145-02	3051145-02	3051145-02	3051145-02	3051145-02	Insulator, Switch
14	9031008-44	9031008-44	9031008-44	9031008-44	9031008-44	Pan Head Machine Screw
15	9031120-01	9031120-01	9031120-01	9031120-01	9031120-01	Speed Nut Plate
	2061962-02S	2061962-02S	2061962-02S	2061962-02S	2061962-02S	Complete Assembly



ICE0500R	ICE0600R	ICE0800R4 ICE1000R4	ICE1400R4 ICE1506R3	ICE1800R4 ICE2100R4
----------	----------	------------------------	------------------------	------------------------

Item	VRC1001	VRC1061	VRC2061	VRC2661	VRC5061	Description
1	9131452-01	9131452-01	9131452-01	9131452-01	9131460-01	Fan Guard
2	3013222-01	3013222-01	3013222-01	3013222-01	3013303-01	Top Panel
3	9031019-04	9031019-04	9031019-04	9031019-04	9031019-04	¼-20 x 1/2 Screw
4	9131451-01	9131451-01	9131451-01	9131451-01	9131461-01	Fan Blade
5	9161117-02	9161117-01	9161117-01	9161117-01	9161118-01	Fan Motor
6	9031001-02	9031001-02	9031001-02	9031001-02	9031001-02	¼-20 x ¾ Cap Screw
7	9031003-01	9031003-01	9031003-01	9031003-01	9031003-01	Flat Washer
8	9031118-02	9031118-02	9031118-02	9031118-02	9031118-02	Flanged Lock Nut
9	9031019-04	9031019-04	9031019-04	9031019-04	9031019-04	¼-20 x 1/2 Screw
10	3013224-01	3013224-01	3013224-01	3013224-01	3013224-01	Rear Panel
11	3013226-01	3013226-01	3013226-01	3013226-01	3013305-01	Brace
12	3013227-01	3013227-01	3013227-01	3013227-01	3013227-01	Leg
13	3013228-01	3013228-01	3013228-01	3013228-01	3013306-01	Leg Brace
14	N/A	N/A	N/A	N/A	N/A	T-Nut-Shipping Only
15	3013226-01	3013226-01	3013226-01	3013226-01	3013305-01	Brace
16	3013232-01	3013232-01	N/A	N/A	N/A	Cover Panel
17	3013225-01	3013225-01	3013225-01	3013225-01	3013304-01	Center Panel
18	3013223-01	3013223-01	3013223-01	3013223-01	3013223-01	Front Panel
19	3013234-01	3013234-01	3013234-01	3013234-01	3013307-01	Motor Brace
20	3013233-01	3013233-01	3013233-01	3013233-01	3013233-01	Motor Brace Support
21	3013229-01	3013229-01	3013229-01	3013229-01	3013229-01	Junction Box Cover
22	9151142-02	9151142-02	9151142-02	9151142-02	9151142-02	Mixing Valve
23	9141130-01	9141130-01	9141130-01	9141131-01	9141133-01	Condenser
24	9151143-01	9151143-01	9151143-01	9151143-01	9151143-01	Filter
25	9091001-12	9091001-12	9091001-12	9091001-12	9091001-12	1/2 Coupling
26	9091001-11	9091001-11	9091001-11	9091001-11	9091001-11	3/8 Coupling
27	9151143-02	9151143-02	9151143-02	9151143-02	9151143-02	Filter

## Free Manuals Download Website

<http://myh66.com>

<http://usermanuals.us>

<http://www.somanuals.com>

<http://www.4manuals.cc>

<http://www.manual-lib.com>

<http://www.404manual.com>

<http://www.luxmanual.com>

<http://aubethermostatmanual.com>

Golf course search by state

<http://golfingnear.com>

Email search by domain

<http://emailbydomain.com>

Auto manuals search

<http://auto.somanuals.com>

TV manuals search

<http://tv.somanuals.com>