

# ***Ice-O-Matic***<sup>®</sup>

## **SERVICE PARTS MANUAL ICE R SERIES CUBERS MODEL-ICE1606**



**Ice-O-Matic**  
11100 East 45th Ave  
Denver, Colorado 80239  
Part Number 9081296-01

**Date 1/09**

# **ICE1606 Service Parts**

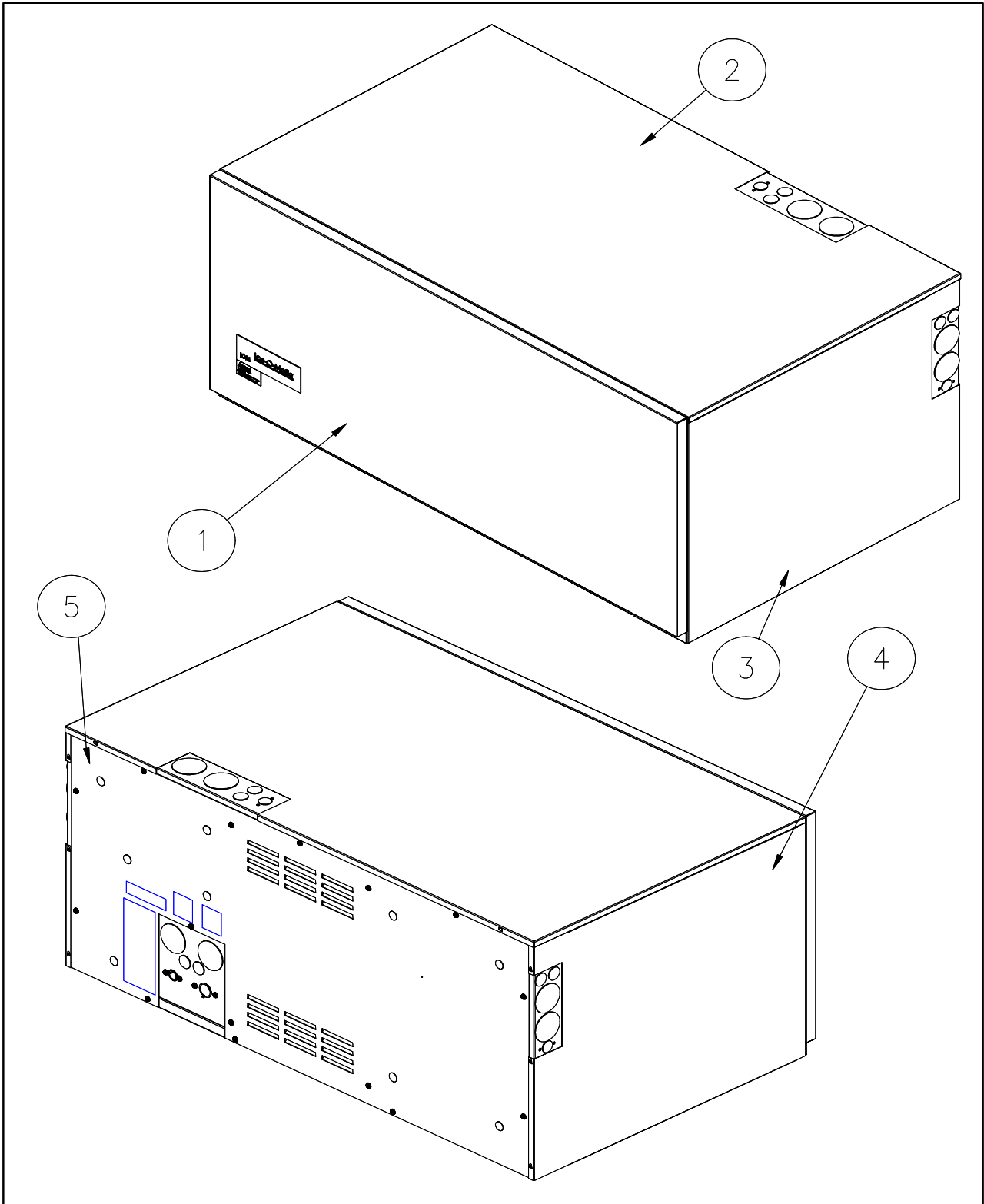
This parts list contains the service parts available for the ICE1606 icemakers.

Check the model number on the data plate and refer to the correct listing for the specific component.

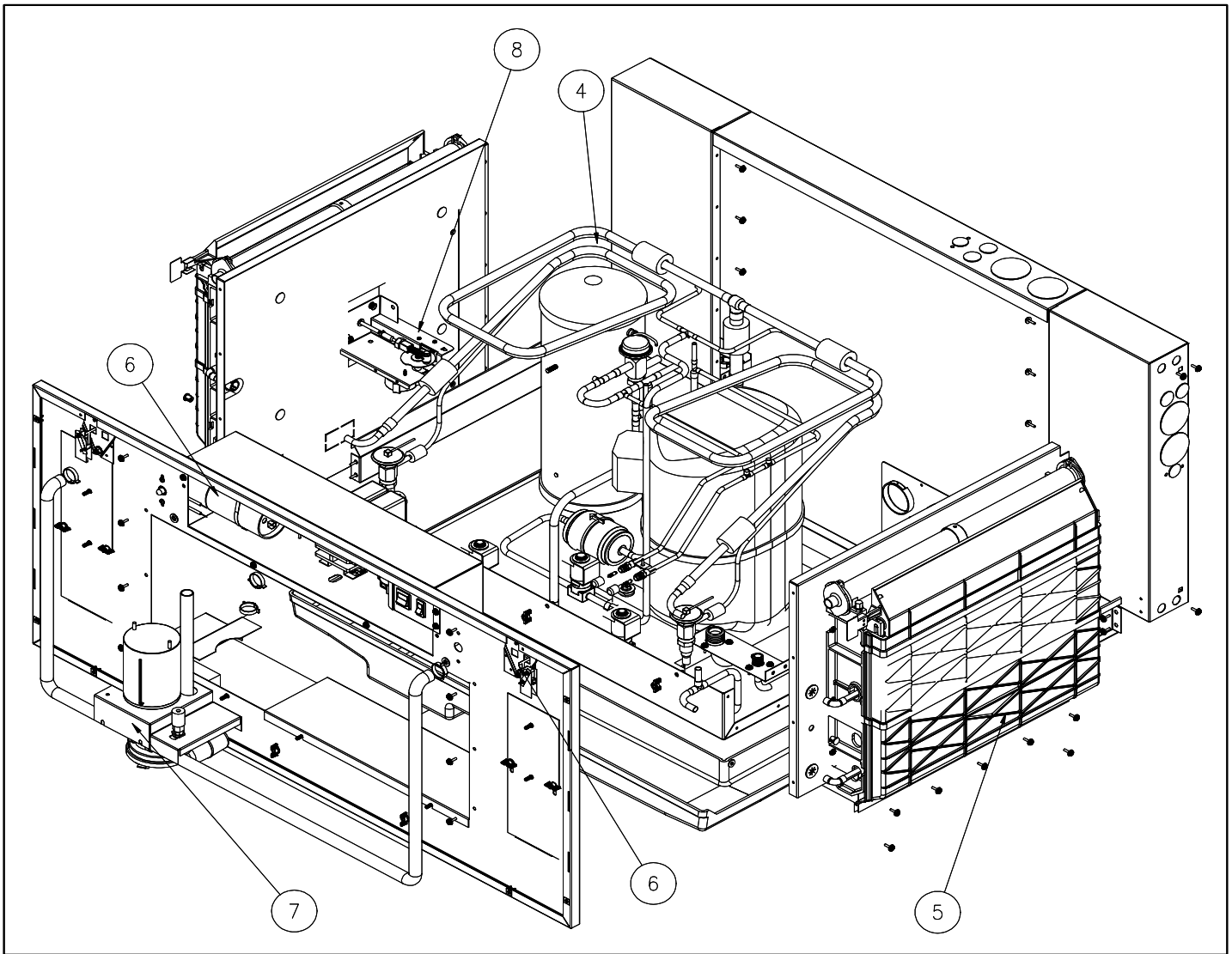
Check carefully that the correct part is identified and ordered.

<b>Table of Contents</b>	<b>Page 1</b>
<b>Cabinet Exterior</b>	<b>Page 2</b>
<b>Cabinet Interior</b>	<b>Page 3</b>
<b>Refrigeration</b>	<b>Page 4</b>
<b>Evaporator and Components</b>	<b>Page 5</b>
<b>Control Box and Bin Switch Assembly</b>	<b>Page 6</b>
<b>Water Pump/Float Assembly</b>	<b>Page 7</b>
<b>Harvest Probe Assembly</b>	<b>Page 8</b>
<b>Remote Condenser</b>	<b>Page 9</b>

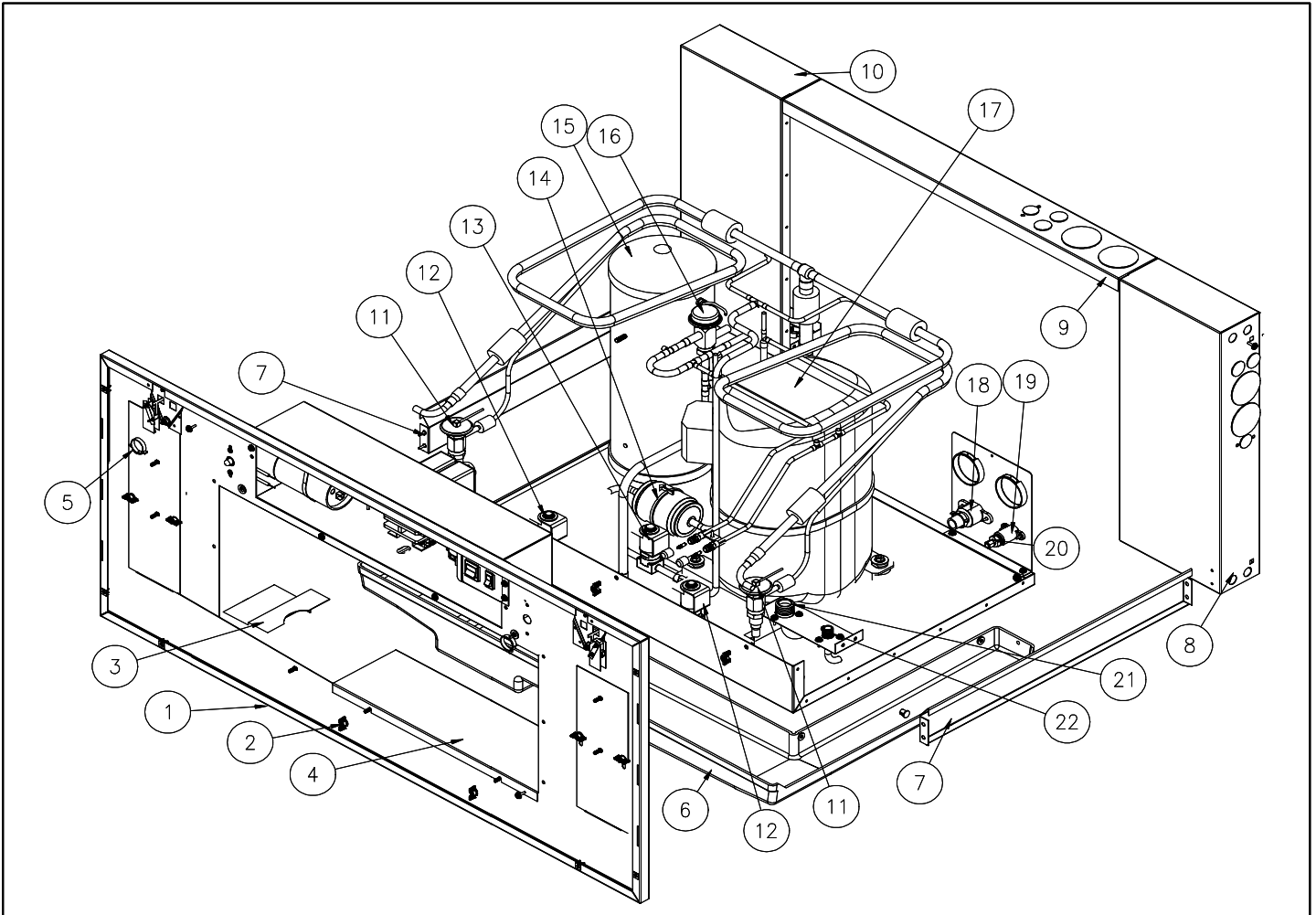
**Ice-O-Matic**  
**11100 East 45th Ave.**  
**Denver Co. 80239**  
**800-423-3367**



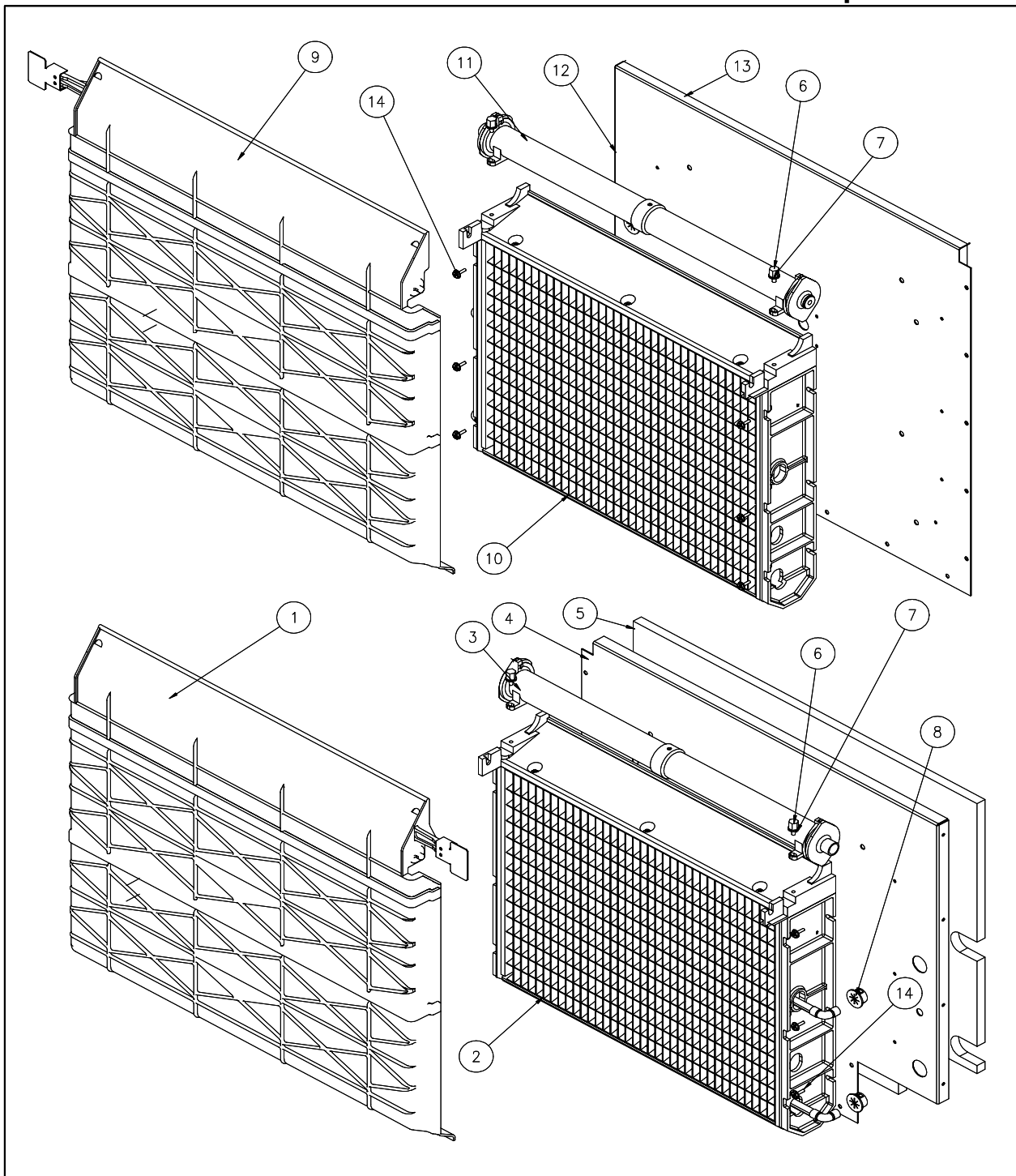
Item No.	Part Number	Description	Item No.	Part Number	Description
1	NLA	Front Panel <b>S.S.</b>	3	2101314-01	R.H Side Panel
1	NLA	Front Panel <b>Plastic</b>	4	2101314-02	L.H Side Panel
2	3021828-01	Top Cover	5	NLA	Back Panel



Item No.	Page Number	Description
4	Page No. 4	Cabinet Base
5	Page No. 5	Evaporator Assembly
6	Page No. 6	Control Box and Bin Switch Assembly
7	Page No. 7	Pump Assembly
8	Page No. 8	Harvest Assist

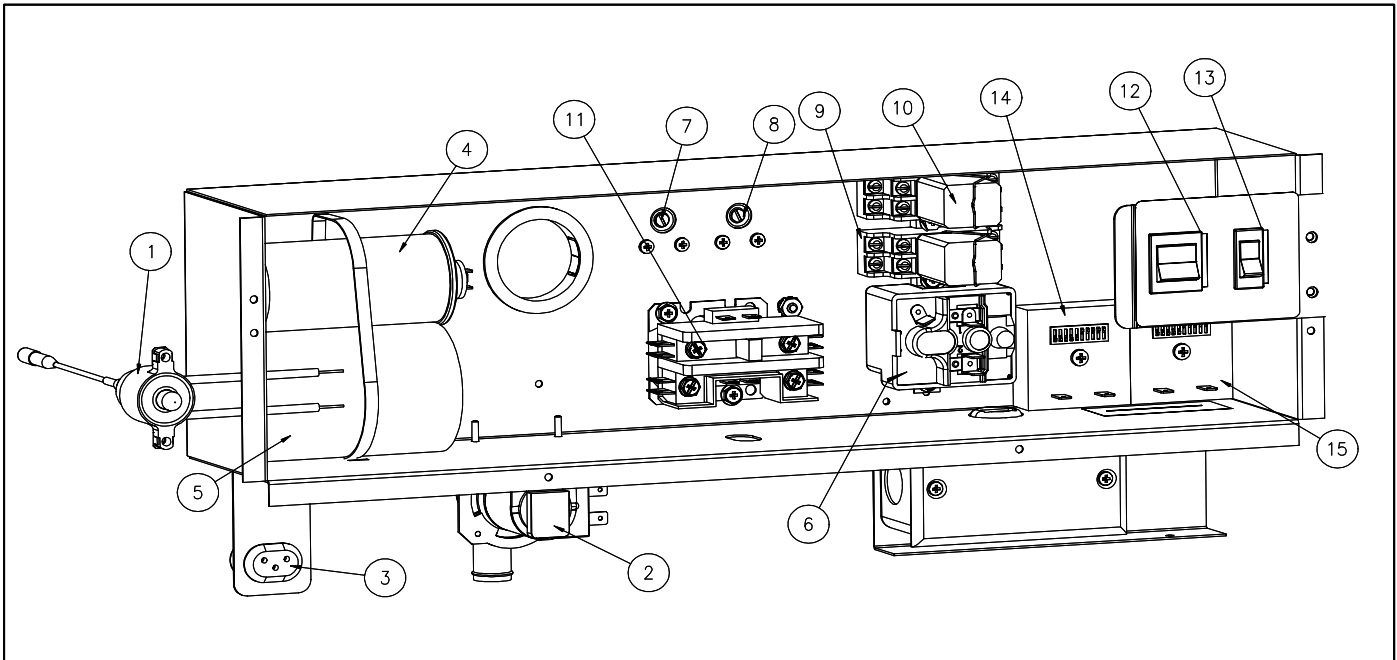


Item No.	Part Number	Description	Item No.	Part Number	Description
1	NLA	Front Frame panel	13	9151123-02	Liquid Line Solenoid
2	9031161-01	Plastic Wing Nut		9151123-04	Liq. Line Sol. Coil
3	3012958-01	Water Pan Cover	14	9151004-03	Drier
4	3012942-01	Water Pan Cover	15	9151110-01	Receiver
5	9021010-04	Hose Clamp	16	9151027-02	Mixing Valve 192
6	9051476-01	Water Pan	17	9181108-11	Compressor
7	3012924-01	Ice Deflector	18	NLA	Drain Fitting
8	NLA	Rear Frame RH	19	9091074-01	Drop Adapter
9	NLA	Rear Brace	20	9091083-02	Water Inlet Fitting
10	NLA	Rear Frame LH	21	9091001-12	1/2" Coupling
11	9151006-08	Expansion Valve	22	9091001-11	3/8" Coupling
12	9151123-01	Hot Gas Valve			
	9151123-04	Hot Gas Valve Coil			



Item No.	Part Number	Description
1	2101355-04	Splash Curtain LH
2	2051147-82	Evaporator Left Side
3	2041338-02	Water Distribution Tube
4	2021567-02	NLA
5	9131381-02	NLA
6	9031122-01	Thumb Screw
7	9031004-19	Rubber Washer

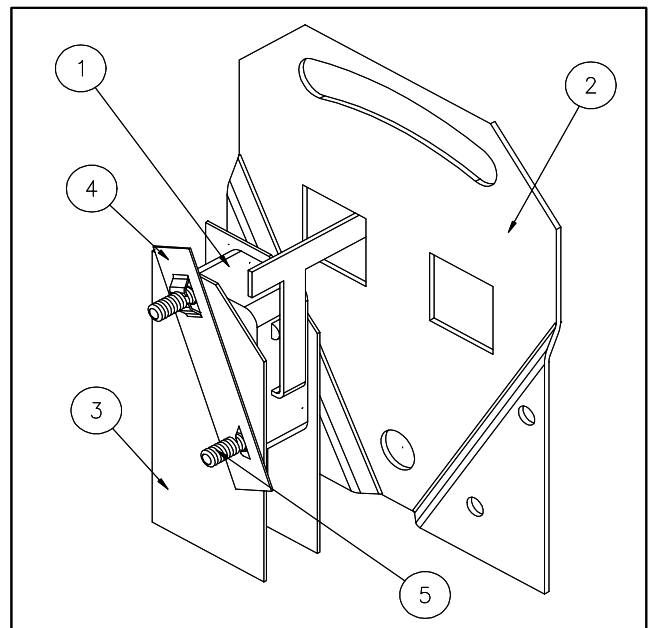
Item No.	Part Number	Description
8	9051001-09	Snap Bushing
9	2101355-03	Splash Curtain RH
10	2051148-82	Evaporator Right Side
11	2041338-01	Water Distribution Tube
12	NLA	Frame Panel RH
13	NLA	Insulation, Side Panel
14	9031046-01	#10-16 x 1/2 Screw



Item No.	Part Number	Description
1	9041051-04	High Pressure Control
2	9041086-05	Purge Valve
3	9101218-10	Pump Cord
4	9181009-20	Run Capacitor
5	9181003-21	Start Capacitor
6	9101010-10	Potential Relay
7	9041094-01	Timer Initiate Control
8	9041040-01	Pump Down Control

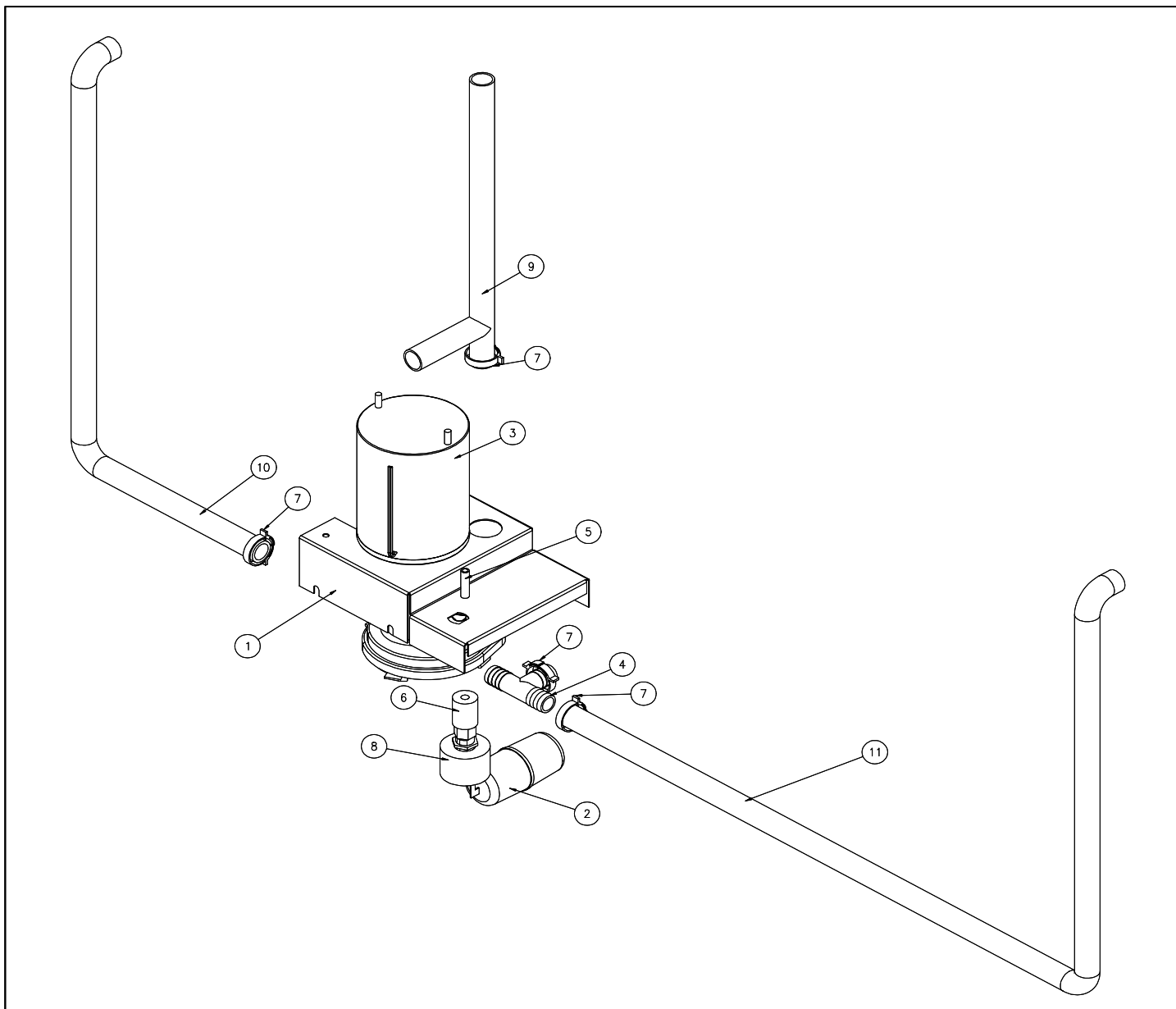
Item No.	Part Number	Description
9	9101083-01	Relay Socket
10	9101084-02	Relay
11	9101002-06	Contactors
12	9101195-01	On-Off-Ice Switch
13	9101139-03	Purge Switch
14	9101148-01	Timer
15	9101148-01	Timer
16	9041087-04	High Temp Safety <b>Not Shown</b>

Item No.	Part Number	Description
1	9101124-02	Limit Switch
2	3011781-01	Switch Bracket
3	3051145-01	Bin Switch Insulator
4	9031120-01	Speed Nut Plate
5	9031008-16	Machine Screw #4-40



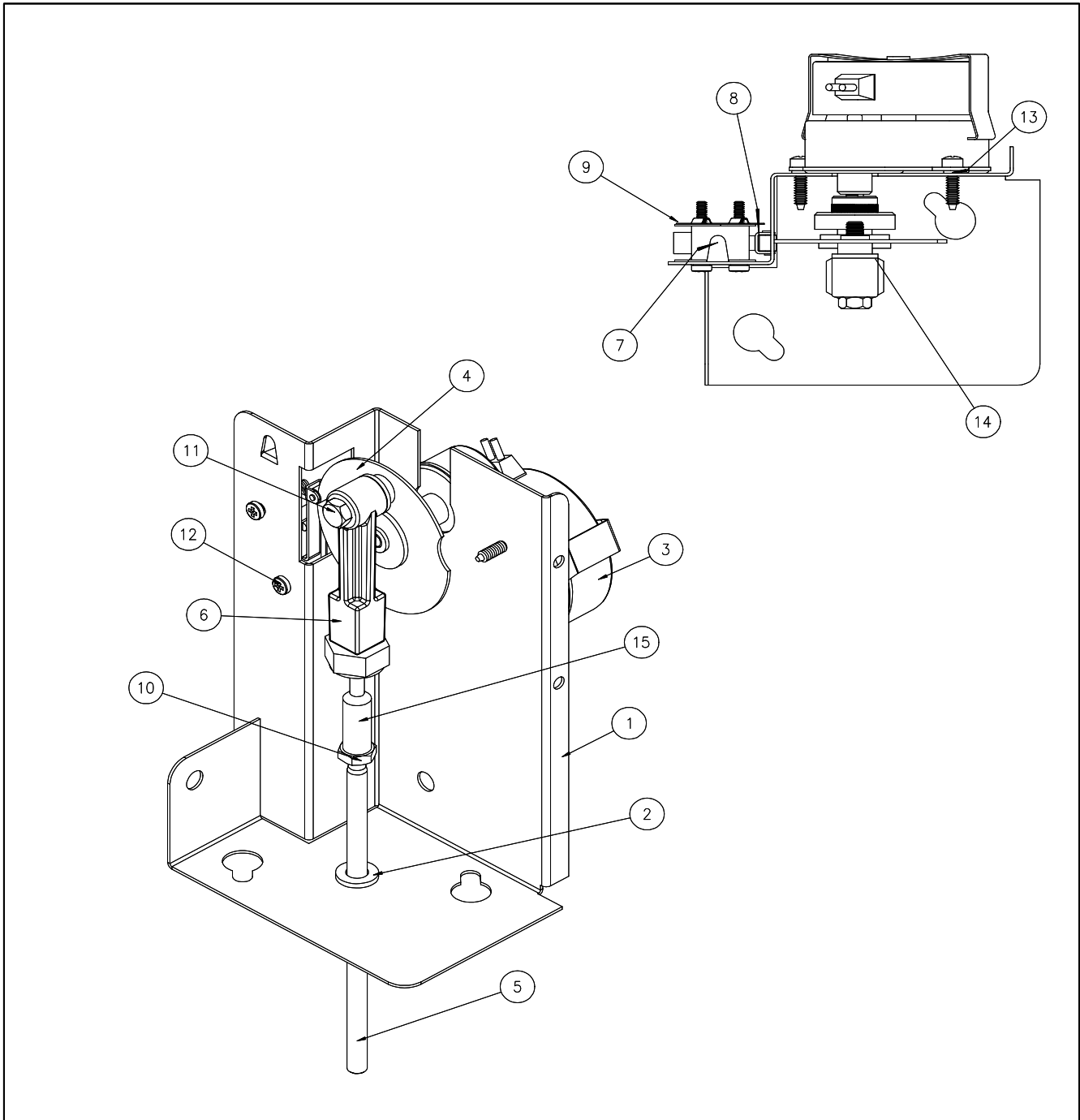
Components are common to the Left Hand and Right Hand Bin Switch Assemblies

Left Hand Assembly Shown →



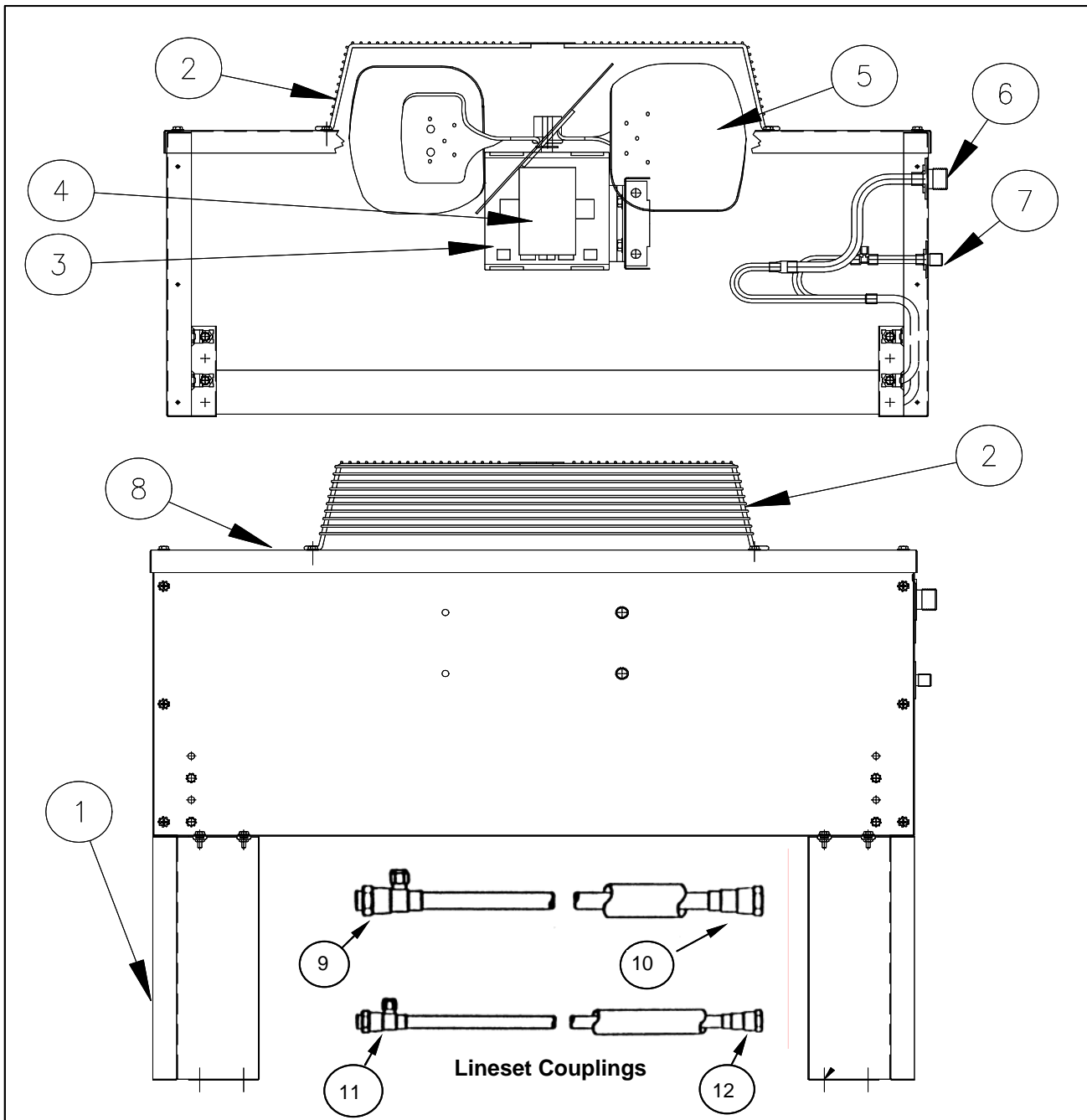
Item No.	Part Number	Description
1	3012957-01	Water Pump Bracket
2	9131111-01	Float Assembly
3	9161079-06	Water Pump
4	9091024-01	Barbed Tee
5	3032898-40	1/4 " ID Plastic Tubing- 40 Inches Long
6	3051210-40	1/4 " x 40" Long Insulation
7	9021010-04	Hose Clamp
8	9131026-02	Cap Plug
9	9051509-02	Purge/Pump Tube
10	9051507-02	Water Tube Evap Left
11	9051508-02	Water Tube Evap Right





Item No.	Part Number	Description
1	NLA	Probe Motor Bracket
2	9051001-13	Snap Bushing
3	9161031-01	Gear Motor
4	9131190-04	Clutch Assembly
5	9131189-01	Probe Shaft
6	9051057-01	Connecting Rod
7	9101160-01	Cam Switch

Item No.	Part Number	Description
8	9031120-01	Speed Nut Plate
9	3051145-01	Insulation, Switch
10	9031005-03	#10-32 Hex Nut
11	9031119-01	Shoulder Screw
12	9031008-16	Pan Head Machine Screw
13	9031019-05	Self Tapping Screw
14	9031003-03	Flat Washer



Item No.	Part Number	Description	Item No.	Part Number	Description
1	3012795-01	Mounting Leg	7	9091001-11	Coupling-Bulkhead-3/8"
2	9131356-01	Fan Guard	8	3012806-01	Top Panel
3	9161110-02	Fan Motor	9	9091001-10	Coupling Half 1/2" w/port
4	9161110-92	Capacitor	10	9091001-08	Coupling Half 1/2"
5	9131356-01	Fan Blade	11	9091001-04	Coupling Half 3/8" w/port
6	9091001-12	Coupling-Bulkhead-1/2"	12	9091001-02	Coupling Half 3/8"

## Free Manuals Download Website

<http://myh66.com>

<http://usermanuals.us>

<http://www.somanuals.com>

<http://www.4manuals.cc>

<http://www.manual-lib.com>

<http://www.404manual.com>

<http://www.luxmanual.com>

<http://aubethermostatmanual.com>

Golf course search by state

<http://golfingnear.com>

Email search by domain

<http://emailbydomain.com>

Auto manuals search

<http://auto.somanuals.com>

TV manuals search

<http://tv.somanuals.com>