

Ice-O-Matic[®]

SERVICE PARTS MANUAL

MODEL-ICE1806 and ICE1807 Version 3

MODEL-ICE2106 and ICE2107 Version 3



Ice-O-Matic
11100 East 45th Ave
Denver, Colorado 80239
Part Number 9081376-01

Date 5/08

ICE1800 and 2100 Series Version 3 Service Parts

This parts list contains the service parts available for the following icemakers.

ICE1806 Water and Remote Version 3

ICE1807 Water and Remote Version 3

ICE2106 Water and Remote Version 3

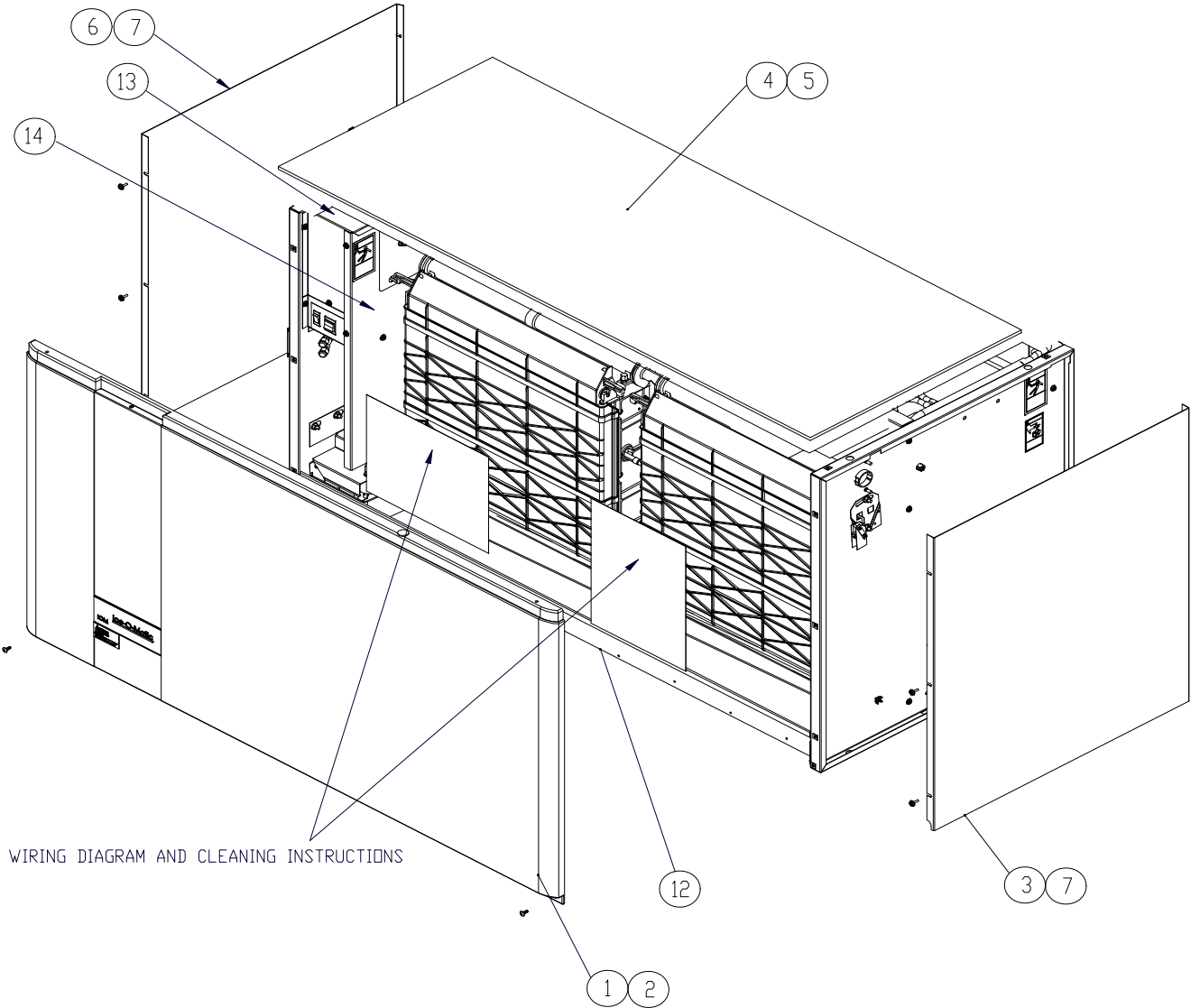
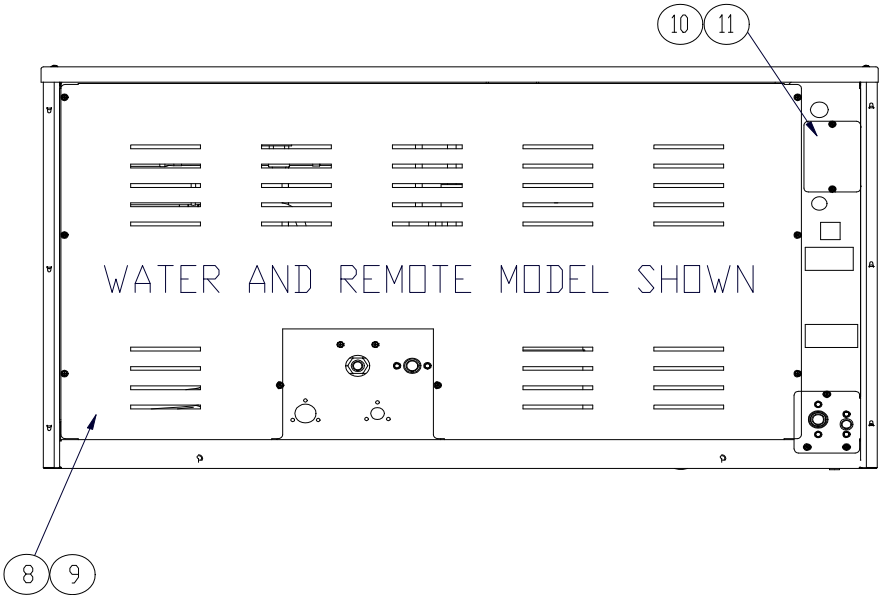
ICE2106 Water and Remote Version 3

Check the model number on the data plate and refer to the correct listing for the specific component.

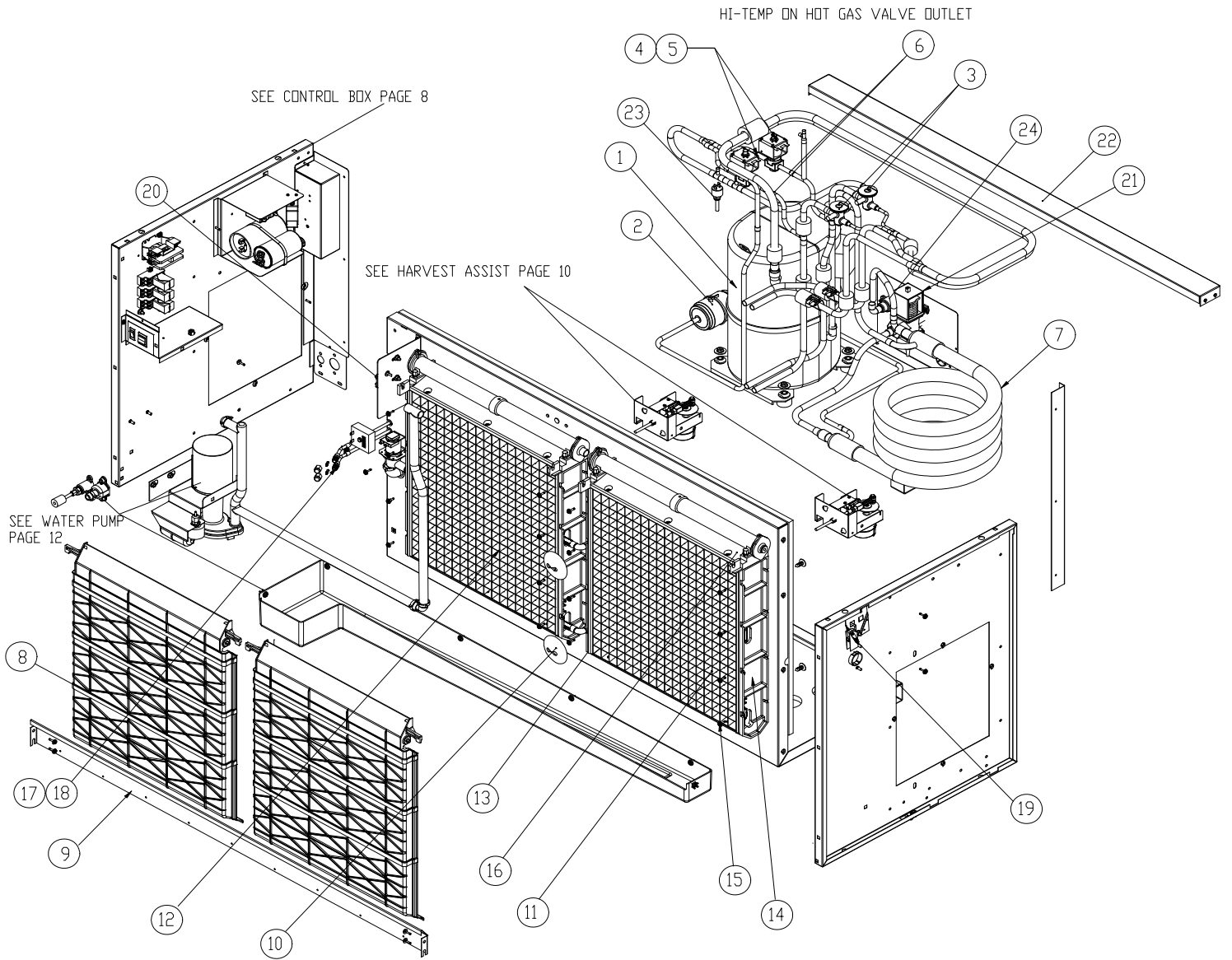
Check carefully that the correct part is identified and ordered.

Table of Contents	Page 1
Exterior Panels	Page 2
Water Cooled	Page 4
Remote	Page 6
Control Box	Page 8
Harvest Assist	Page 10
Water Pump/Float	Page 12
VRC Condenser	Page 14

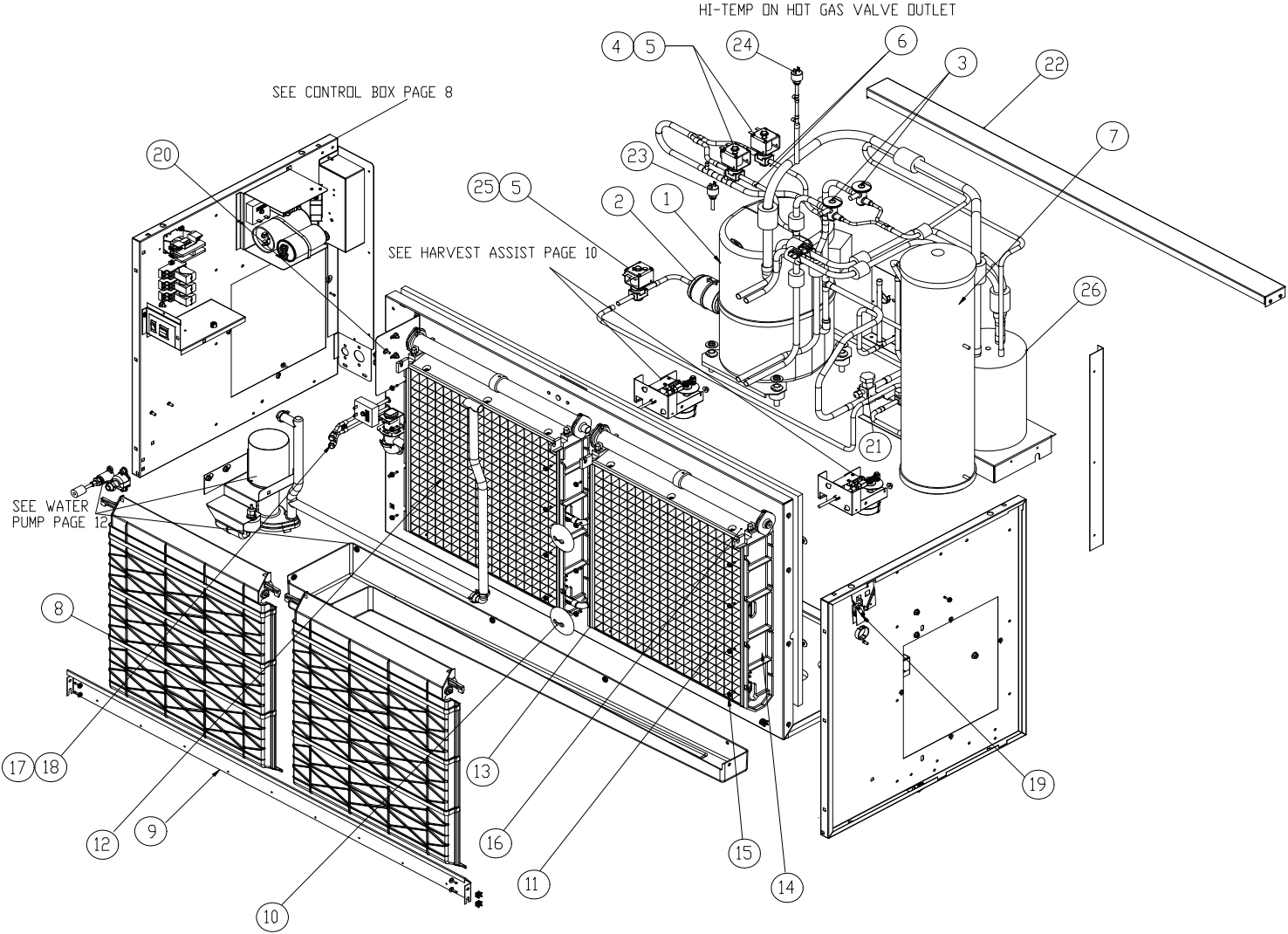
Ice-O-Matic
11100 East 45th Ave.
Denver Co. 80239
800-423-3367



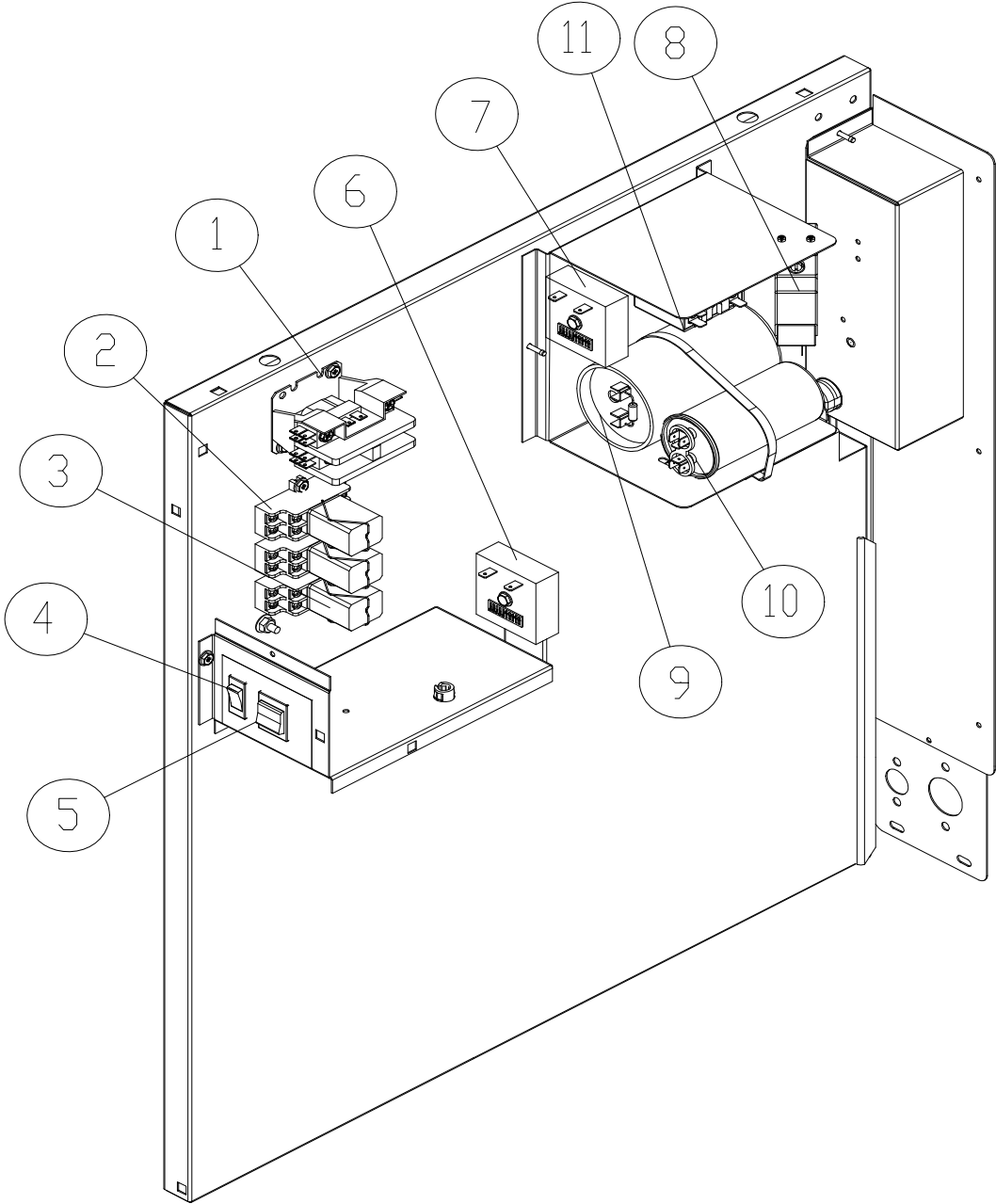
Item No.	Model Number				Description
	ICE1806V3	ICE1807V3	ICE2106V3	ICE2107V3	
1	2031465-05	2031465-05	2031465-05	2031465-05	Front Panel
2	9031098-02	9031098-02	9031098-02	9031098-02	Front Panel Screws
3	3021929-01	3021929-01	3021929-01	3021929-01	Right Hand Side Panel-Water Cooled and Remote Only
4	9051469-01	9051469-01	9051469-01	9051469-01	Top Panel
5	9031098-02	9031098-02	9031098-02	9031098-02	Top Panel Screws
6	3021934-01	3021934-01	3021934-01	3021934-01	Left Hand Side Panel-Water Cooled and Remote Only
7	9031046-03	9031046-03	9031046-03	9031046-03	Side Panel Screw
8	3021926-01	3021926-01	3021926-01	3021926-01	Rear Panel
9	9031046-01	9031046-01	9031046-01	9031046-01	Rear Cover Panel Screws
10	3013308-01	3013308-01	3013308-01	3013308-01	Junction Box Cover
11	9031046-01	9031046-01	9031046-01	9031046-01	Junction Box Cover Screws
12	3013315-01	3013315-01	3013315-01	3013315-01	Ice Deflector
13	3013294-01	3013294-01	3013294-01	3013294-01	Control Box Top Cover
14	3013293-01	3013293-01	3013293-01	3013293-01	Control Box Side Cover
15	N/A	N/A	N/A	N/A	Machine Compartment Cover



Item No.	Model Number				Description
	ICE1806V3	ICE1807V3	ICE2106V3	ICE2107V3	
1	9181108-11	9181108-12	9181129-11	9181129-12	Compressor
2	9151004-03	9151004-03	9151004-03	9151004-03	Filter Drier
3	9151153-01	9151153-01	9151153-01	9151153-01	Expansion Valve
4	9151123-02	9151123-02	9151123-02	9151123-02	Hot Gas Valve Body
5	9151123-04	9151123-04	9151123-04	9151123-04	Hot Gas Valve Coil
6	9041098-01	9041098-01	9041098-01	9041098-01	High Temperature Safety Control
7	9141123-01	9141123-01	9141123-01	9141123-01	Water Condenser
8	9051154-12	9051154-14	9051154-14	9051154-14	Evaporator Splash Curtain
9	3013315-01	3013315-01	3013315-01	3013315-01	Ice Deflector
10	9051237-02	9051237-02	9051237-02	9051237-02	Washer Tube
11	2051239-81	2051239-81	2051239-81	2051239-81	Evaporator Right Side Full Cube
11	2051239-82	2051239-82	2051239-82	2051239-82	Evaporator Right Side Half Cube
12	2051240-81	2051240-81	2051240-81	2051240-81	Evapoartor Left Side Full Cube
12	2051240-82	2051240-82	2051240-82	2051240-82	Evapoartor Left Side Half Cube
13	9051170-04	9051170-04	9051170-04	9051170-04	Evaporator Left Side Mounting Panel
14	9051170-03	9051170-03	9051170-03	9051170-03	Evaporator Right Side Mounting Panel
15	9051135-04	9051135-04	9051135-04	9051135-04	Water return
16	9051135-05	9051135-05	9051135-05	9051135-05	Spillway
17	9091086-02	9091086-02	9091086-02	9091086-02	Valve Core
18	9091086-03	9091086-03	9091086-03	9091086-03	Valve Cap
19	9101124-02	9101124-02	9101124-02	9101124-02	Bin Switch Right Side (Cut Arm)
20	9101124-02	9101124-02	9101124-02	9101124-02	Bin Switch Left Side (Cut Arm)
21	9041056-01	9041056-01	9041056-01	9041056-01	Water Regulating Valve
22	3013316-01	3013316-01	3013316-01	3013316-01	Rear Brace
23	9041091-01	9041091-01	9041091-01	9041091-01	High Pressure Control
24	9091063-02	9091063-02	9091063-02	9091063-02	Condenser Drain Fitting

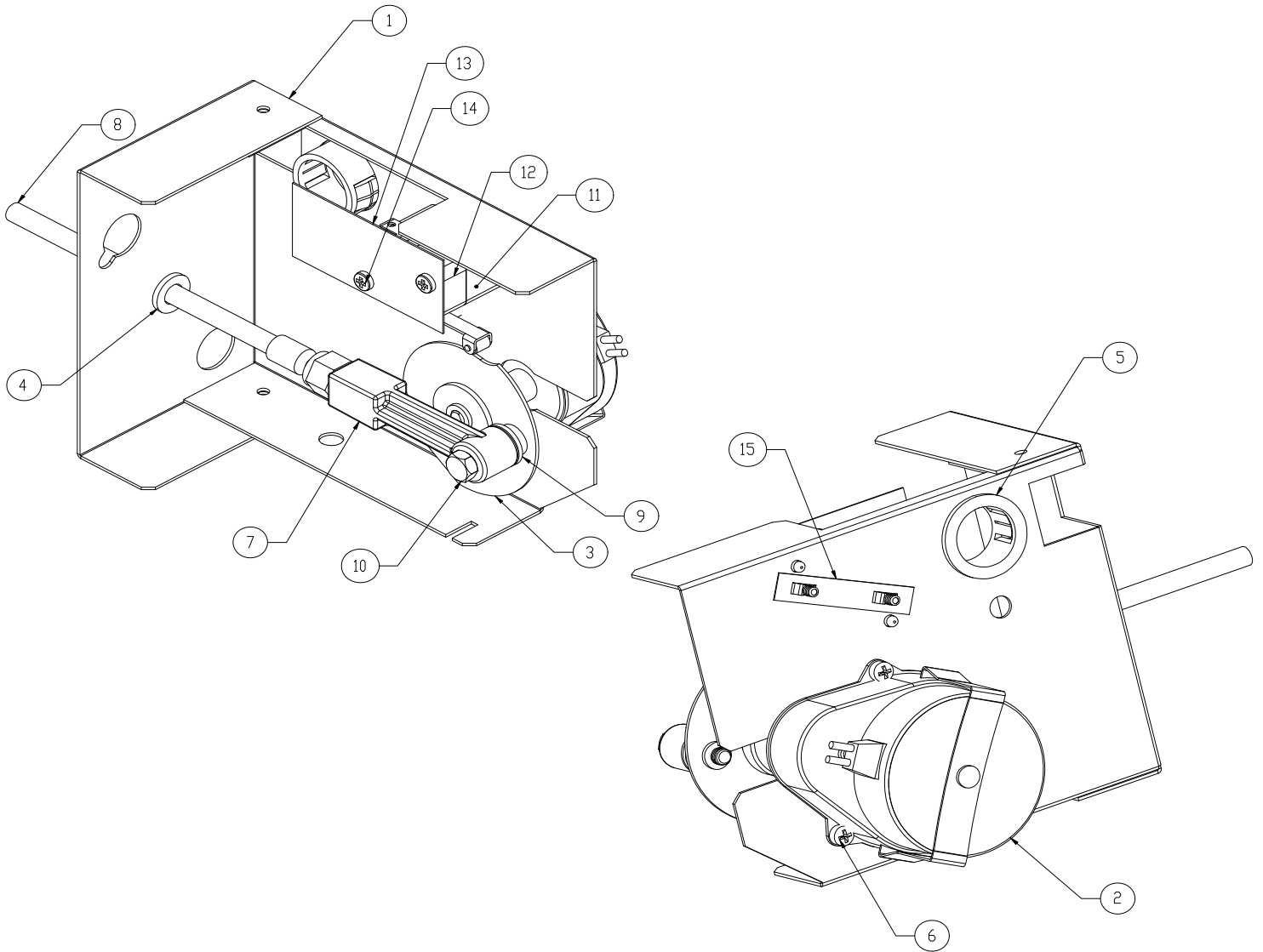


Item No.	Model Number				Description
	ICE1806V3	ICE1807V3	ICE2106V3	ICE2107V3	
1	9181008-11	9181108-12	9181129-11	9181129-12	Compressor
2	9151004-03	9151004-03	9151004-03	9151004-03	Filter Drier
3	9151152-01	9151152-01	9151152-01	9151152-01	Expansion Valve
4	9151123-02	9151123-02	9151123-02	9151123-02	Hot Gas Valve Body
5	9151123-04	9151123-04	9151123-04	9151123-04	Hot Gas Valve Coil
6	9041098-01	9041098-01	9041098-01	9041098-01	High Temperature Safety Control
7	9151109-01	9151109-01	9151109-01	9151109-01	Receiver
8	9051154-12	9051154-12	9051154-12	9051154-12	Evaporator Splash Curtain
9	3013315-01	3013315-01	3013315-01	3013315-01	Ice Deflector
10	9051237-02	9051237-02	9051237-02	9051237-02	Washer Tube
11	2051239-81	2051239-81	2051239-81	2051239-81	Evaporator Right Side Full Cube
11	2051239-82	2051239-82	2051239-82	2051239-82	Evaporator Right Side Half Cube
12	2051240-81	2051240-81	2051240-81	2051240-81	Evapoartor Left Side Full Cube
12	2051240-82	2051240-82	2051240-82	2051240-82	Evapoartor Left Side Half Cube
13	9051170-04	9051170-04	9051170-04	9051170-04	Evaporator Left Side Mounting Panel
14	9051170-03	9051170-03	9051170-03	9051170-03	Evaporator Right Side Mounting Panel
15	9051135-04	9051135-04	9051135-04	9051135-04	Water Return
16	9051135-05	9051135-05	9051135-05	9051135-05	Spillway
17	9091086-02	9091086-02	9091086-02	9091086-02	Valve Core
18	9091086-03	9091086-03	9091086-03	9091086-03	Valve Cap
19	9101124-02	9101124-02	9101124-02	9101124-02	Bin Switch Right Side (Cut Arm)
20	9101124-02	9101124-02	9101124-02	9101124-02	Bin Switch Left Side (Cut Arm)
21	9091143-02	9091143-02	9091143-02	9091143-02	Remote Shut-Off Valve (Large)
	9091143-01	9091143-01	9091143-01	9091143-01	Remote Shut-Off Valve (Small)
22	3013316-01	3013316-01	3013316-01	3013316-01	Rear Brace
23	9041091-01	9041091-01	9041091-01	9041091-01	High Pressure Control
24	9041092-02	9041092-02	9041092-02	9041092-02	Pump Down Control
25	9151123-02	9151123-02	9151123-02	9151123-02	Liquid Line Solenoid
26	2101421-01	2101421-01	2101421-01	2101421-01	Accumulator Assembly
	9091001-12	9091001-12	9091001-12	9091001-12	1/2 Inch Coupling (Not Shown)
	9091001-11	9091001-11	9091001-11	9091001-11	3/8 Inch Coupling (Not Shown)
	9151139-01	9151139-01	9151139-01	9151139-01	Check Valve (Not Shown)

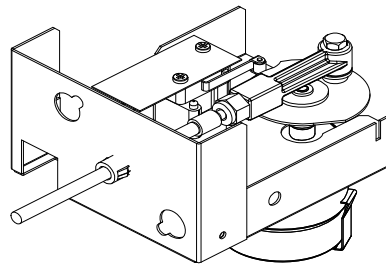
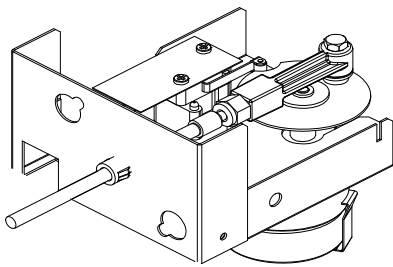


Item No.	Model Number				Description
	ICE1806V3	ICE1807V3	ICE2106V3	ICE2107V3	
1	9101002-06	9101079-02	9101002-06	9101079-02	Contactora
2	9101083-01	9101083-01	9101083-01	9101083-01	Relay Base
3	9101084-02	9101084-02	9101084-02	9101084-02	Relay
4	9101139-03	9101139-03	9101139-03	9101139-03	Purge Switch
5	9101195-01	9101195-01	9101195-01	9101195-01	ICE-OFF-WASH Switch
6	9101148-01	9101148-01	9101148-01	9101148-01	Timer
7	9101148-01	9101148-01	9101148-01	9101148-01	Timer (6 Minute-Remote only)
8	9041094-01	9041094-01	9041094-01	9041094-01	Low Pressure Control (Timer Initiate)
9	9181003-21	N/A	9181003-21	N/A	Start Capacitor
10	9181009-20	N/A	9181009-13	N/A	Run Capacitor
11	9181010-10	N/A	9181010-11	N/A	Compressor Relay

ICE1806V3	ICE1807V3	ICE2106V3	ICE2107V3	
9181108-11	9181108-12	9181129-11	9181129-12	Compressor Kit
9181003-21	N/A	9181003-21	N/A	Start Capacitor
9181009-20	N/A	9181009-13	N/A	Run Capacitor
9181010-10	N/A	9181010-11	N/A	Relay

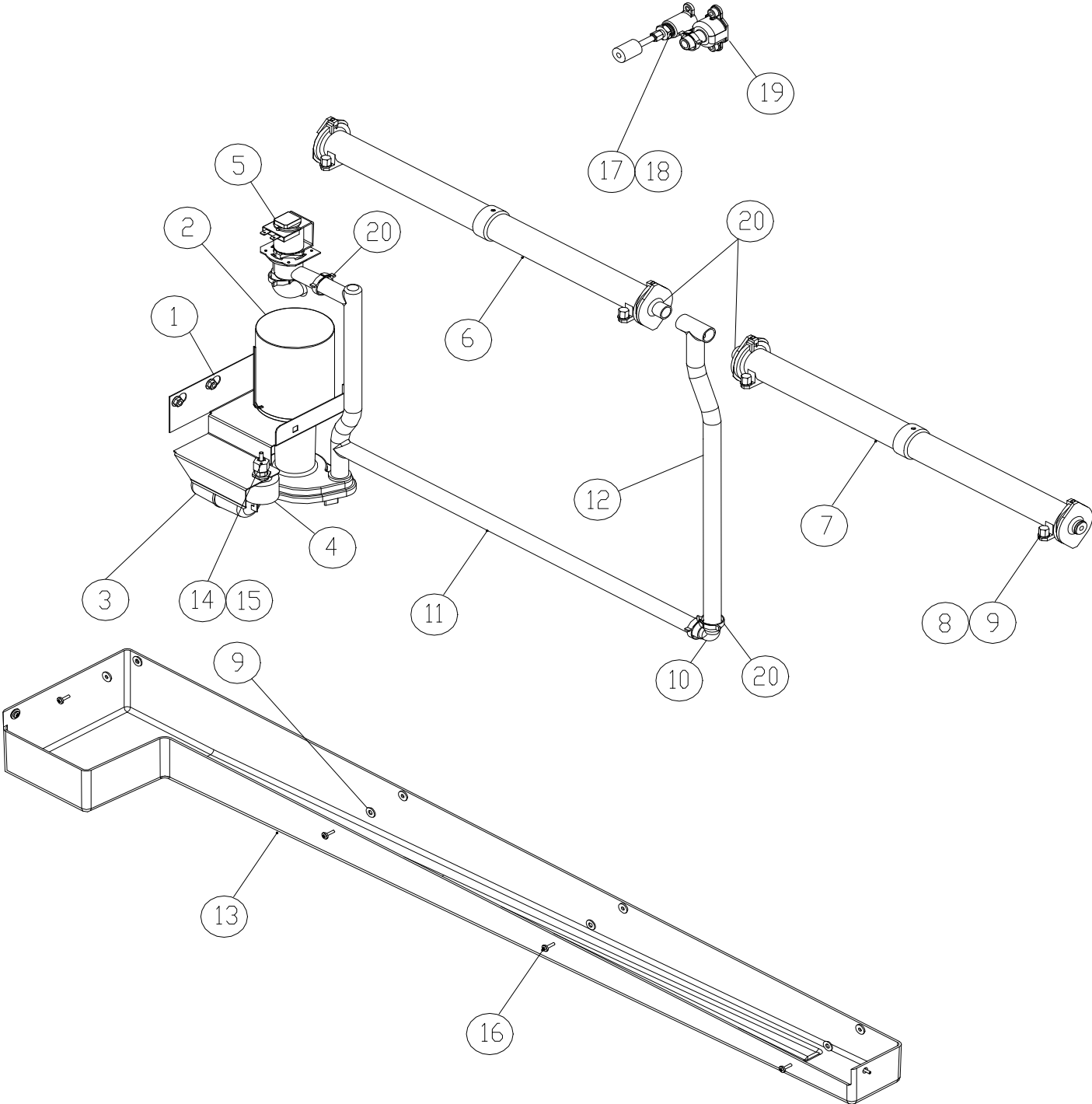


LEFT SIDE HARVIST ASSIST (SECONDARY)

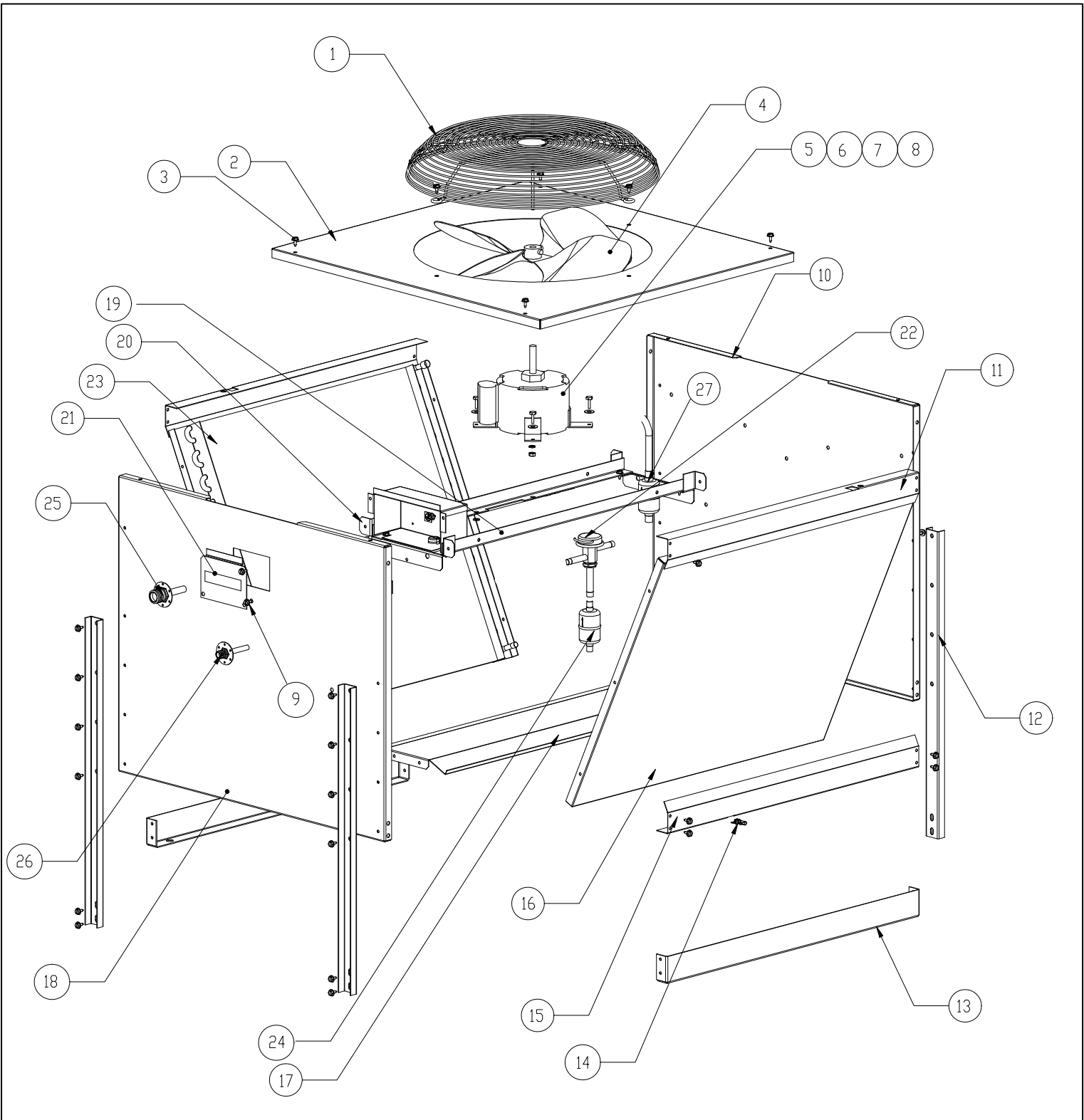


RIGHT SIDE HARVEST ASSIST (PRIMARY)

Item No.	Model Number				Description
	ICE1806V3	ICE1807V3	ICE2106V3	ICE2107V3	
1	3013170-01	3013170-01	3013170-01	3013170-01	Bracket, Probe Motor
2	9161031-01	9161031-01	9161031-01	9161031-01	Gear Motor
3	9131190-01	9131190-01	9131190-01	9131190-01	Clutch Assembly 160 Degree Cam, Right Side
	9131190-04	9131190-04	9131190-04	9131190-04	Clutch Assembly .312R Cam, Left Side
4	9051001-13	9051001-13	9051001-13	9051001-13	Snap Bushing
5	9051001-03	9051001-03	9051001-03	9051001-03	Snap Bushing
6	9031019-08	9031019-08	9031019-08	9031019-08	#6-32 x 1/2 Fillister Head Screw
7	9051057-01	9051057-01	9051057-01	9051057-01	Connecting Rod
8	9021102-01	9021102-01	9021102-01	9021102-01	Probe, Single Length
9	9031003-03	9031003-03	9031003-03	9031003-03	Plain Flat Washer
10	9031119-01	9031119-01	9031119-01	9031119-01	Shoulder Screw
11	9051519-01	9051519-01	9051519-01	9051519-01	Spacer, Cam Switch
12	9101160-01	9101160-01	9101160-01	9101160-01	Cam Switch
13	3051145-02	3051145-02	3051145-02	3051145-02	Insulator, Switch
14	9031008-44	9031008-44	9031008-44	9031008-44	Pan Head Machine Screw
15	9031120-01	9031120-01	9031120-01	9031120-01	Speed Nut Plate
14	2061962-02S	2061962-02S	2061962-02S	2061962-02S	Complete Assembly-Primary- Right Side
15	2061962-03S	2061962-03S	2061962-03S	2061962-03S	Complete Assembly-Secondary- Left Side



Item No.	Model Number				Description
	ICE1806V3	ICE1807V3	ICE2106V3	ICE2107V3	
1	3013310-01	3013310-01	3013310-01	3013310-01	Water Pump Bracket
2	9161079-06	9161079-06	9161079-06	9161079-06	Water Pump
3	9131111-02	9131111-02	9131111-02	9131111-02	Float
4	9131026-02	9131026-02	9131026-02	9131026-02	Float Deflector
5	9041086-03	9041086-03	9041086-03	9041086-03	Purge Valve
6	2041338-02	2041338-02	2041338-02	2041338-02	Water Distribution Tube Left
7	2041338-01	2041338-01	2041338-01	2041338-01	Water Distribution Tube Right
8	9031122-01	9031122-01	9031122-01	9031122-01	Thumb Screw
9	9031004-19	9031004-19	9031004-19	9031004-19	Washer
10	9091052-01	9091052-01	9091052-01	9091052-01	Elbow
11	9051543-01	9051543-01	9051543-01	9051543-01	Water Pump Tube (Water Pump/Purge Valve)
12	9051546-02	9051546-02	9051546-02	9051546-02	Water Pump Tube (Water Distribution Tube)
13	9051544-01	9051544-01	9051544-01	9051544-01	Water Trough
14	3032898-34	3032898-34	3032898-34	3032898-34	Water Inlet Tubing (34.00 inches long)
15	9091081-01	9091081-01	9091081-01	9091081-01	Sleeve
	9091080-01	9091080-01	9091080-01	9091080-01	Barrel Fitting
16	9031046-24	9031046-24	9031046-24	9031046-24	Water Trough Screw
17	9091074-01	9091074-01	9091074-01	9091074-01	Drop Adapter
18	9091083-01	9091083-01	9091083-01	9091083-01	Water Inlet Fitting
19	9091140-01	9091140-01	9091140-01	9091140-01	Drain Fitting
20	9021010-04	9021010-04	9021010-04	9021010-04	Clamp



ICE0500R	ICE0600R	ICE0800R ICE1000R	ICE1400R3 ICE1506R3	ICE1800R3 ICE2100R3
----------	----------	----------------------	------------------------	------------------------

Item	VRC1001	VRC1061	VRC2061	VRC2661	VRC5061	Description
1	9131452-01	9131452-01	9131452-01	9131452-01	9131460-01	Fan Guard
2	3013222-01	3013222-01	3013222-01	3013222-01	3013303-01	Top Panel
3	9031019-04	9031019-04	9031019-04	9031019-04	9031019-04	¼-20 x 1/2 Screw
4	9131451-01	9131451-01	9131451-01	9131451-01	9131461-01	Fan Blade
5	9161117-02	9161117-01	9161117-01	9161117-01	9161118-01	Fan Motor
6	9031001-02	9031001-02	9031001-02	9031001-02	9031001-02	¼-20 x ¾ Cap Screw
7	9031003-01	9031003-01	9031003-01	9031003-01	9031003-01	Flat Washer
8	9031118-02	9031118-02	9031118-02	9031118-02	9031118-02	Flanged Lock Nut
9	9031019-04	9031019-04	9031019-04	9031019-04	9031019-04	¼-20 x 1/2 Screw
10	3013224-01	3013224-01	3013224-01	3013224-01	3013224-01	Rear Panel
11	3013226-01	3013226-01	3013226-01	3013226-01	3013305-01	Brace
12	3013227-01	3013227-01	3013227-01	3013227-01	3013227-01	Leg
13	3013228-01	3013228-01	3013228-01	3013228-01	3013306-01	Leg Brace
14	N/A	N/A	N/A	N/A	N/A	T-Nut-Shipping Only
15	3013226-01	3013226-01	3013226-01	3013226-01	3013305-01	Brace
16	3013232-01	3013232-01	N/A	N/A	N/A	Cover Panel
17	3013225-01	3013225-01	3013225-01	3013225-01	3013304-01	Center Panel
18	3013223-01	3013223-01	3013223-01	3013223-01	3013223-01	Front Panel
19	3013234-01	3013234-01	3013234-01	3013234-01	3013307-01	Motor Brace
20	3013233-01	3013233-01	3013233-01	3013233-01	3013233-01	Motor Brace Support
21	3013229-01	3013229-01	3013229-01	3013229-01	3013229-01	Junction Box Cover
22	9151142-02	9151142-02	9151142-02	9151142-02	9151142-02	Mixing Valve
23	9141130-01	9141130-01	9141130-01	9141131-01	9141133-01	Condenser
24	9151143-01	9151143-01	9151143-01	9151143-01	9151143-01	Filter
25	9091001-12	9091001-12	9091001-12	9091001-12	9091001-12	1/2 Coupling
26	9091001-11	9091001-11	9091001-11	9091001-11	9091001-11	3/8 Coupling
27	9151143-02	9151143-02	9151143-02	9151143-02	9151143-02	Filter

Free Manuals Download Website

<http://myh66.com>

<http://usermanuals.us>

<http://www.somanuals.com>

<http://www.4manuals.cc>

<http://www.manual-lib.com>

<http://www.404manual.com>

<http://www.luxmanual.com>

<http://aubethermostatmanual.com>

Golf course search by state

<http://golfingnear.com>

Email search by domain

<http://emailbydomain.com>

Auto manuals search

<http://auto.somanuals.com>

TV manuals search

<http://tv.somanuals.com>