



IOD 150

- ✓ Stores 150 lbs. (68 Kgs.) of ICE
- ✓ Constructed from sturdy, corrosion-resistant 300 series stainless steel
- ✓ Only 22 inches (558 mm) wide

***ICE-O-Matic® is the Best ICE Making Solution for:
Hard Water, Food Safety and Tight Spaces***

Problem

Hard To Clean

Ice cube machine must be lifted off dispenser for cleaning

Inconsistent Ice Dispensing

Ice congeals in dispenser causing ice jams and inconsistent dispensing

Ice Melts Too Fast

Inadequate storage bin insulation causes ice to melt too quickly

Tight-Fitting Spaces

Counter space utilization

Sloppy Ice Dispensing

Ice dispenses inaccurately, often missing or overflowing the glass

Solution

Power Clean

Allows access to the dispenser for easy cleaning without moving the ICE machine

Greater Dispensibility

Auto Rotate - turns the ICE for 4 seconds every hour to consistently provide more dispensible ICE

Maximum Preservation

Dispenser bin is insulated with foam for maximum ICE preservation - 1 inch of insulation

Maximum ICE

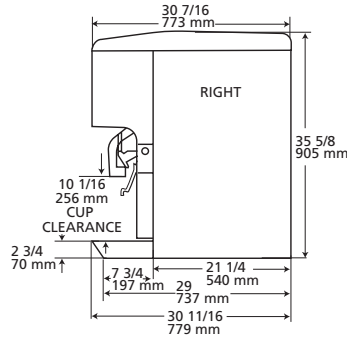
Maximum ICE storage in a minimum amount of space - 22 inches wide and holds 150 pounds of ICE

Worry-Free Dispensing

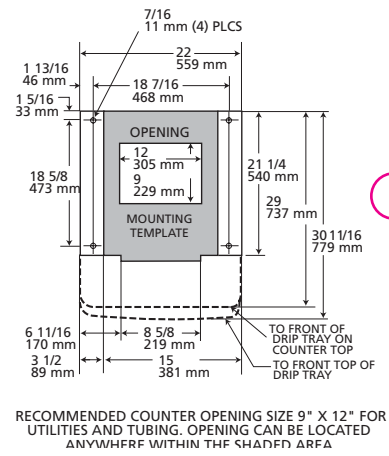
Direct Dispense - ensures that ICE hits the glass every time.
Quick Stop - prevents ICE overflow and waste.

IOD 150 Series ICE Dispenser

Dimensions



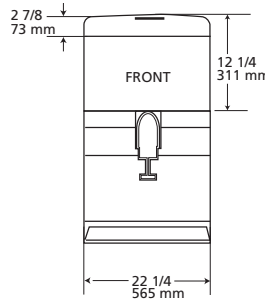
Side View



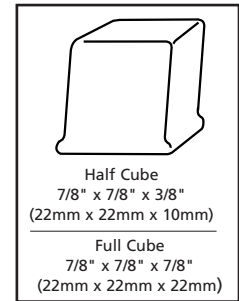
RECOMMENDED COUNTER OPENING SIZE 9" X 12" FOR UTILITIES AND TUBING. OPENING CAN BE LOCATED ANYWHERE WITHIN THE SHADED AREA

OPERATING LIMITS

Ambient Temp. Range	
Air & Water	50° - 100°F (10° - 38°C)
Water Temp. Range	40° - 100°F (4.5° - 38°C)
Water Pressures	Min. 20 psi Max. 120 psi
Electrical Voltage	Min. -5% Max. +10%



Front View



ORDERING AND SPECIFICATION INFORMATION

Model No.	Dispenser Operated by:	Bin Storage Applied Capacity	Voltage Characteristics	No. of Wires	Min. Circuit Ampacity	Maximum Fuse Size	Shipping Weight lbs. (Kgs.)
IOD 150	Push Bar	150 (68)	115/60/1	Cord	3.0	15	139 (63)

Call factory for other dispensing options

ICE PRODUCTION FOR OPTIONAL CUBE ICE MAKERS — POUNDS (KILOGRAMS) PER 24 HOURS

Model	ICE 0320	ICE 0520
Air-Cooled lbs. (kgs.)	320 (145)	506 (230)
Water-Cooled lbs. (kgs.)	355 (161)	528 (240)
Remote-Cooled lbs. (kgs.)	n/a	n/a
Voltage Char.	115/60/1	115/60/1

- Tested at 70° Air/50° Water.
- All specifications and performance data are subject to normal manufacturing variances.

Options:

KWGFID	water glass filler kit for IOD 22"	2 (1)
KBT15022	adapter for 22" cubers on 22" IOD	24(11)

ICE-O-Matic's® machines are not designed for outdoor installations. ICE-O-Matic® remote condensers are designed for outdoor installations.

Machine requires voltage indicated on rating name plate. Failures caused by improper voltage are not considered factory defects. Extended periods of operation at temperature exceeding limitations constitutes misuse under the terms of ICE-O-Matic® Manufacturer's Limited Warranty, resulting in a loss of warranty coverage. Specifications and design are subject to change without notice.



We reserve the right to make changes in design and construction at any time without obligation.

2003 © ICE-O-Matic Rev Code: 4000A-08/03-55

ICE-O-Matic 11100 E. 45th Avenue, Denver, CO 80239

Tel. 303 371-3737 Fax. 303 371-6296 www.iceomatic.com

Download from Wwww.Somanuals.com. All Manuals Search And Download.

Free Manuals Download Website

<http://myh66.com>

<http://usermanuals.us>

<http://www.somanuals.com>

<http://www.4manuals.cc>

<http://www.manual-lib.com>

<http://www.404manual.com>

<http://www.luxmanual.com>

<http://aubethermostatmanual.com>

Golf course search by state

<http://golfingnear.com>

Email search by domain

<http://emailbydomain.com>

Auto manuals search

<http://auto.somanuals.com>

TV manuals search

<http://tv.somanuals.com>