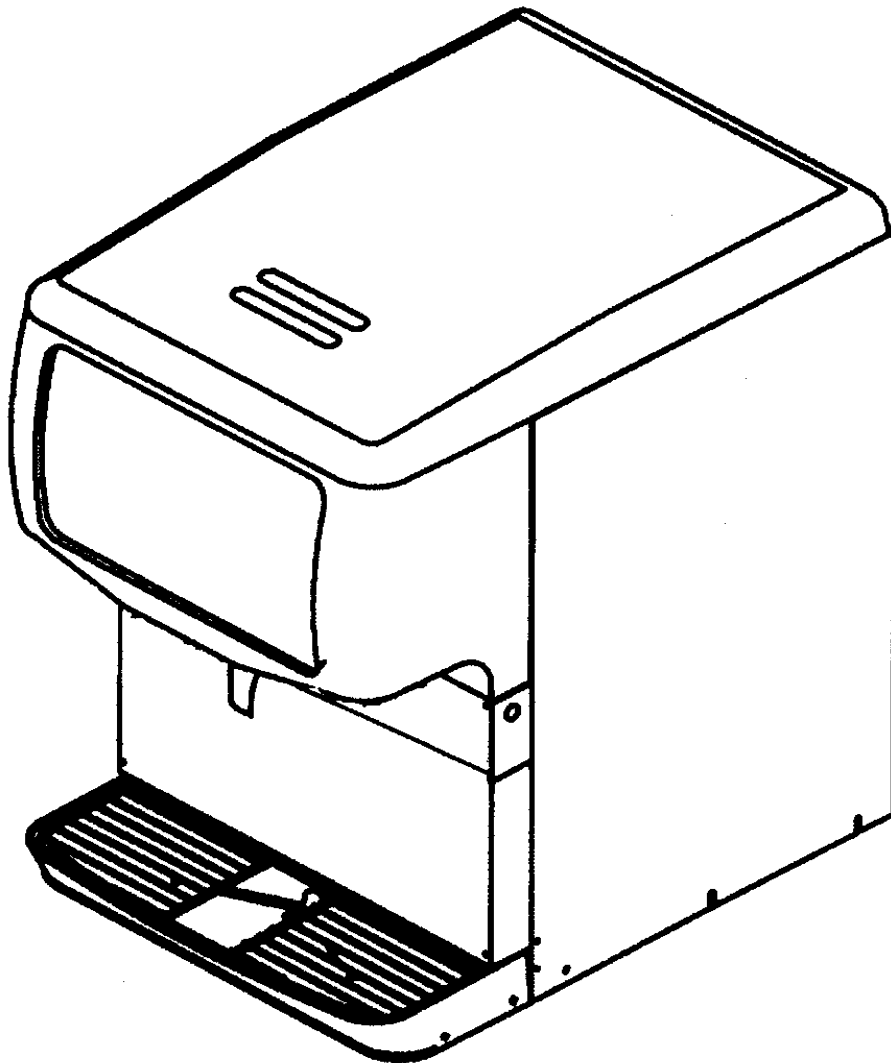




Ice-O-Matic®

**SERVICE/INSTALLATION MANUAL
ICE ONLY DISPENSERS
MODELS-IOD150, IOD200 AND IOD250**



**Mile High Equipment
11100 East 45th Ave
Denver, Colorado 80239**

Part Number 9081305-01

Print Date 06/02

To the owner or user: This product manual is a source of information about the installation, start up, cleaning, maintenance and repair of the product.

The IOD150, IOD200 and IOD250 are ice only counter top dispensers designed to use 22 inch wide and 30 inch wide respectfully Ice-O-Matic cubed ice machines as the source of ice.

The IOD ice dispenser is a machine that stores ice in an insulated, sanitary container: upon demand it dispenses that ice into a cup or glass.

Table of Contents

| | |
|--------------------------------|-----------|
| Introduction | Page 1 |
| Specifications and Limitations | Page 2 |
| For The Installer | Page 3 |
| Installation | Page 4 |
| Water Glass Filler Kit | Page 5-6 |
| Initial Start Up | Page 7 |
| Gate Restrictor Plate | Page 8 |
| Cleaning And Sanitizing | Page 9-10 |
| Warranty Information | Page 2 |

Keep this manual for future reference.

Ice-O-Matic
11100East 45th Ave.
Denver Colorado 80239

Technical Assistance
1-800-423-3367

The IOD150, IOD200 and IOD250 Parts Manual is available separately, Part Number 9081306-01

Specifications and Limitations

IOD150, IOD200, IOD250

Limitations:

Must meet the same limitations as the cuber installed on top of it:

50° F. air minimum

100° F. air maximum

Must be installed indoors.

Must allow at least 6-inch clearance at the rear and both sides when using an **air-cooled** ice machine.

Must allow space for the utility connection at the back.

Must have a drain.

Options (Field Installed) (*Required)

*Thermostatic Bin Control Kit (22 Inch Ice Series) Part Number 1051134-01

*Thermostatic Bin Control Kit (30 Inch Ice Series) Part Number 1051020-02

Manual Water Glass Filler Kit Part Number KWGFID

*Ice Machine Adapters

*22 inch cuber Part Number KBT15022

*22 inch machine on a 30 inch dispenser Part Number KBT25022

*30 inch cuber Part Number KBT25030

Dispenser Specifications

| <u>Model Number</u> | <u>Storage Capacity (lbs)</u> | <u>Basic Electrical</u> | <u>Actuation</u> | <u>Min. Circuit Ampacity</u> | <u>Max. Fuse Size</u> |
|---------------------|-------------------------------|-------------------------|------------------|------------------------------|-----------------------|
| IOD150 | 150 | 115/60/1 | Lever | 3.0 | 15 |
| IOD200 | 220 | 115/60/1 | Lever | 3.5 | 15 |
| IOD250 | 250 | 115/60/1 | Lever | 3.5 | 15 |

Dimensions (Inches)

| <u>Model Number</u> | <u>Width</u> | <u>Depth</u> | <u>Height (Excludes 4" Legs)</u> |
|---------------------|--------------|--------------|----------------------------------|
| IOD150 | 22 inches | 30 inches | 35 5/8 inches |
| IOD200 | 30 inches | 30 inches | 35 5/8 inches |
| IOD250 | 30 inches | 30 inches | 39 5/8 inches |

Note: Counter top 4 inch legs are included with the dispenser.

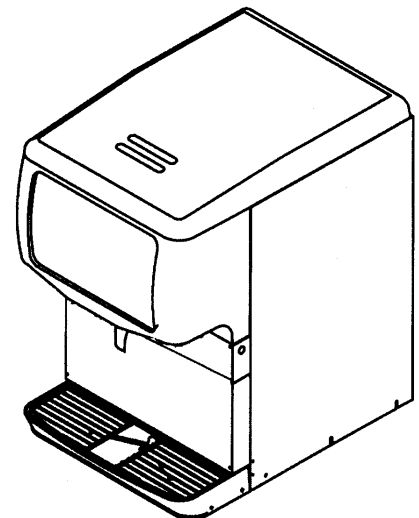
Ice-O-Matic ice machines are not designed for outdoor installations.

Machine requires voltage indicated on rating nameplate. Failures caused by improper voltage are not considered factory defects. Extended periods of operation at temperatures exceeding limitations constitutes misuse under the terms of the Ice-O-Matic Manufacture's Limited Warranty, resulting in a loss of warranty coverage. Specifications and design are subject to change without notice.

The IOD150, IOD200 and IOD250 carry a 2-year Parts warranty and a 1 year Labor Warranty.

These dispensers are designed to dispense cubed ice only. Flaked ice will not work.

The dispenser will agitate for 4 seconds every (1) hour.



Equipment Description

The IOD150, IOD200 and IOD250 are counter top mounted ice only dispensers. These units are designed to dispense cube ice only and have ice storage capacities of 150 lb., 220 lb. and 250 lb. respectively.

Site Preparation

The site chosen for the dispenser must be capable of supporting the dispenser with a full bin of ice plus all other loads being placed on the surface supporting the dispenser. If an ice machine is being placed on the dispenser, the weight of the ice machine must be included in the calculations to determine the support structure needed for the dispenser.

Allow sufficient clearance above the unit for removal of the cover and for pouring ice into the bin.

A 115 volt, 15 amp electric outlet needs to be located within 6 feet of the unit. **The outlet must be properly grounded and fused. No other electrical appliance should be on the circuit. ALL ELECTRICAL WIRING MUST CONFORM TO NATIONAL AND LOCAL CODES**

Do not place the dispenser next to heat sources such as ovens, heat ducts or in the warm air discharge from adjacent equipment.

The unit must be located near a building drain. Drain lines must be properly vented and pitched to ensure free flowing of wastewater to the drain.

These dispensers are designed to dispense cubed ice only. Do not use flaked, crushed or compressed ice forms.

If an Ice-O-Matic ice machine is to be placed on top of the dispenser, an adapter will be required.

| | | |
|---------------------|------------------------------------|----------------------|
| Ice Machine Adapter | 22 inch cuber | Part Number KBT15022 |
| Ice Machine Adapter | 22 inch cuber on 30 wide dispenser | Part Number KBT25022 |
| Ice Machine Adapter | 30 inch cuber | Part Number KBT25030 |

This ice dispenser has been specifically designed to provide protection against personal injury and eliminates contamination of ice. To ensure continued protection and sanitation, observe the following:

- ALWAYS:** disconnect power to the dispenser before servicing or cleaning.
- NEVER:** place hands inside of hopper or grate area without disconnecting power to the dispenser.
- Agitator rotation occurs automatically when dispenser is energized.
- ALWAYS:** be sure the removable lid is properly installed to prevent unauthorized access to the hopper interior and possible contamination of the ice.
- ALWAYS:** be sure the upper and lower front panels are securely fastened.
- ALWAYS:** keep area around the dispenser clean of ice cubes.
- CAUTION: Dispenser cannot be used with crushed or flaked ice.**
Use of bagged ice, which has frozen into chunks, can void warranty.

The dispenser agitator is not designed to be an ice crusher. Use of large chunks of ice which “jam up” inside the hopper will cause failure of the agitator motor and damage to the hopper. If bagged ice is used, it must be carefully and completely broken into small, cubed size pieces before filling into the dispense hopper.

1. Locate the ice dispenser on the counter. Allow vertical clearance above the unit for the removal of the cover and for pouring ice into the hopper.
2. Plan the unit drain. A one-inch (1") I.D. drain tube is required for draining. Routing is either through the back or the base. Sufficient fittings are included with the unit to install in most cases.
3. In order to comply with the National Sanitation Foundation (NSF) requirements, this unit must be either elevated above the counter top sufficiently to provide space for cleaning under the unit or sealed to the countertop

Elevating the unit may be accomplished by using the legs. They will screw into threaded holes in the base of the unit. **Note: Before installing legs the plastic plugs must be removed.**

IMPORTANT:

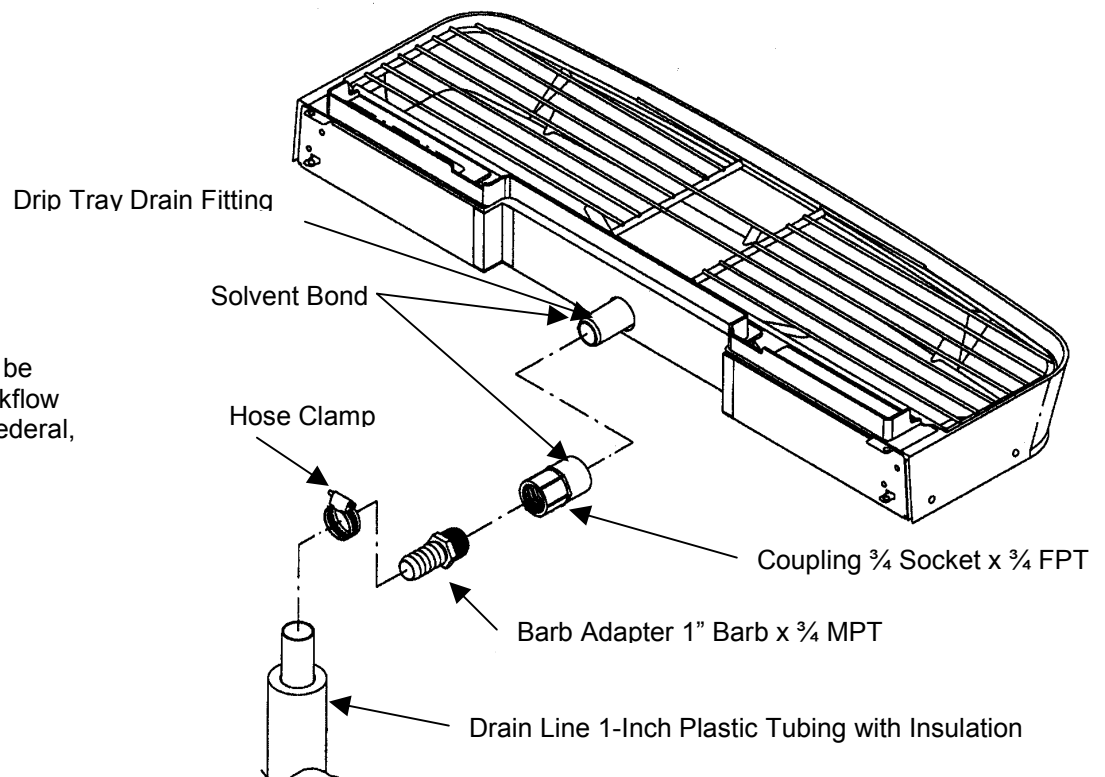
It is the responsibility of the Installer to ensure that the water supply to the dispensing equipment is provided with protection against backflow by an air gap as defined in ANSI/ASME A112.1.2-1979: or an approved vacuum breaker or other such method as proved effective by test.

Water pipe connections and fixtures directly connected to a potable water supply shall be sized, installed and maintained according to Federal, State and Local Codes.

DRIP TRAY ASSEMBLY

Drip Tray Drain Assembly (See Illustration Below): Route the drain tube to an open drain with the end of the tube above the "flood" level of the drain. Use the tubing, fittings, clamps and insulation provided with the Dispenser to assemble the drain. The completed drain line must pitch continuously downward and contain no "traps" or improper drainage will result.

Note: This equipment must be installed with adequate backflow protection to comply with Federal, State and Local Codes.



Installation Instructions

WARNING: Disconnect power to unit before proceeding with installation.

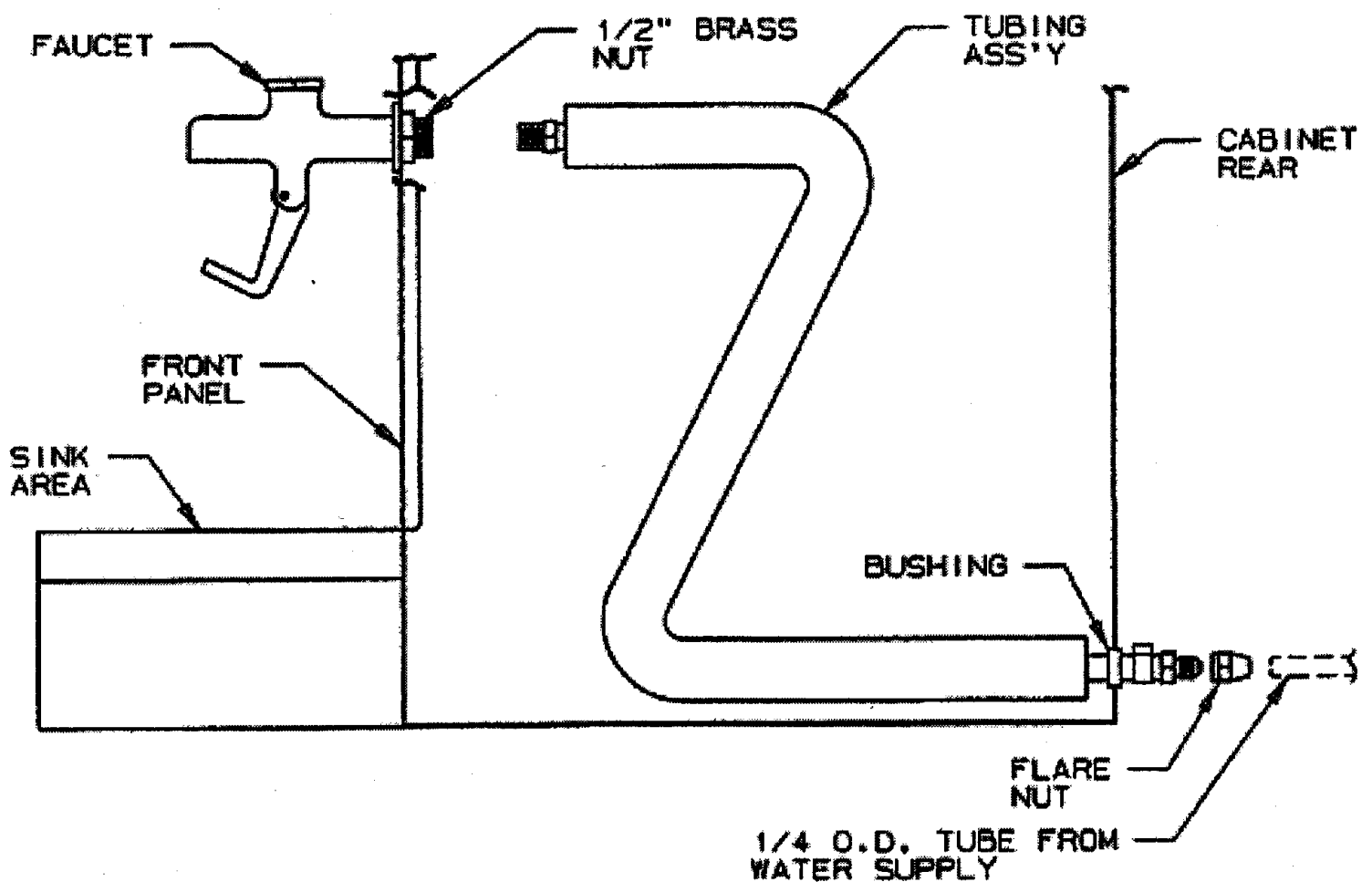
1. Prepare the unit as follows:

- Remove the lower front panel
- Locate faucet-mounting holes in the front panel. (Reference page 6 for hole locations)

2. Install faucet and tubing assembly as shown below.

3. Connect field water supply to $\frac{1}{4}$ male flare fitting on tubing assembly. Apply water pressure and check all connections for leaks. Check faucet for proper operation. **Maximum water pressure is 125 psi.** Check that tubing assembly does not interfere with wiring or electrical connections.

4. Carefully reinstall panels on unit.



Faucet mounting hole locations.

IOD150 Dimensions

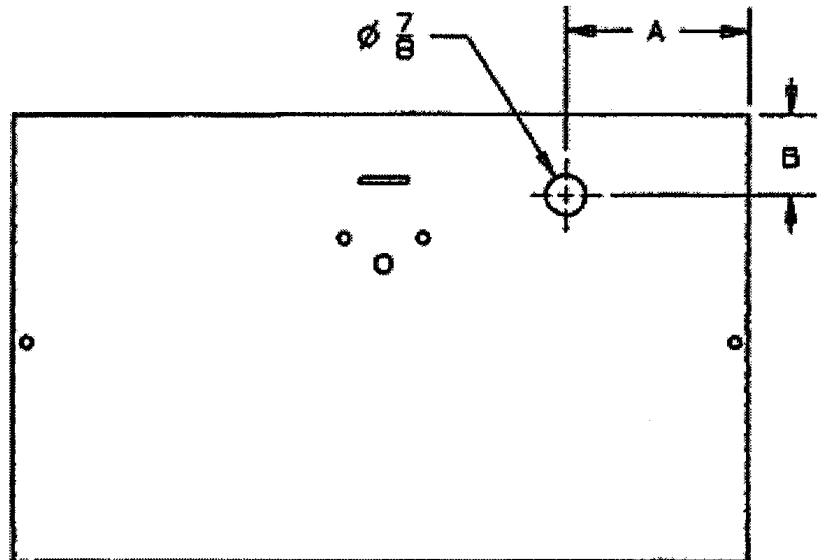
- A 4.0 Inches
- B 2.5 Inches

IOD200 and IOD250 Dimensions

- A 6.125 Inches
- B 3.125 Inches

The water inlet tubing can be routed either from the back or from underneath the dispenser.

If from the back, remove the back and bottom access panels.

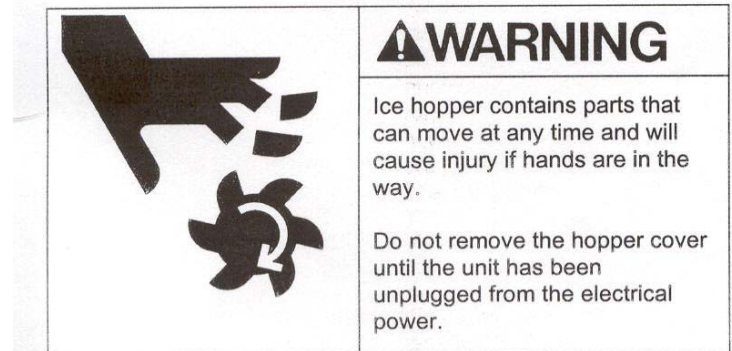


**LOWER FRONT PANEL
FRONT VIEW**

1. Sanitize the ice storage system as instructed on Page 10.
2. Fill the hopper with sanitary ice.
3. Plug the unit's power cord into an electrical outlet and the lighted sign should come on.
4. Dispense several containers of ice.

Note: In normal operation, pushing the ice dispenser mechanism will cause ice to flow from the ice chute. Ice flow will continue until the dispenser mechanism is released or until the hopper runs out of ice.

CAUTION: Use caution to avoid spilling ice when filling dispenser. Clean up immediately any spilled ice from filling or operating the unit. To prevent contamination of ice, the lid must be installed on the unit at all times.



Note: This unit is provided with a timer that will activate the ice dispenser rotor for 4 seconds each time the unit is plugged into an electrical outlet and every hour (1) thereafter. The agitation cycle helps to keep the ice from fusing together during long periods of non-use. No ice is dispensed during the agitation.

Ice Machine Installation

Make sure the counter the dispenser is placed on is structurally able to hold the combined weight of the dispenser, ice and ice machine.

Remove the dispenser cover. (Retain for future use)

Place the appropriate stainless steel KBT adapter onto the top of the dispenser.

| | |
|---|----------------------|
| 22 inch wide ice machine on a 22-inch wide dispenser. | Part number KBT15022 |
| 22 inch wide ice machine on a 30-inch wide dispenser. | Part Number KBT25022 |
| 30 inch wide ice machine on a 30-inch wide dispenser. | Part Number KBT25030 |

Install the thermostatic bin control kit when applicable

Note: The thermostatic bin control kit is required on all ICE Series Cubers.

Install the ice machine onto the dispenser, center the machine left to right and align the machine flush to the back.

Install the thermostatic bin control cap tube into the thermal well mounted in the bin.

Note: The thermostatic bin control kit is required on all ICE Series Cubers.

Fasten together at the back of the machine using fasteners from the icemaker and mounting hardware from the kit.

Place the front cover plate onto the dispenser in front of the ice machine.

Follow the ice machine start-up instructions included with the ice machine.

Completion

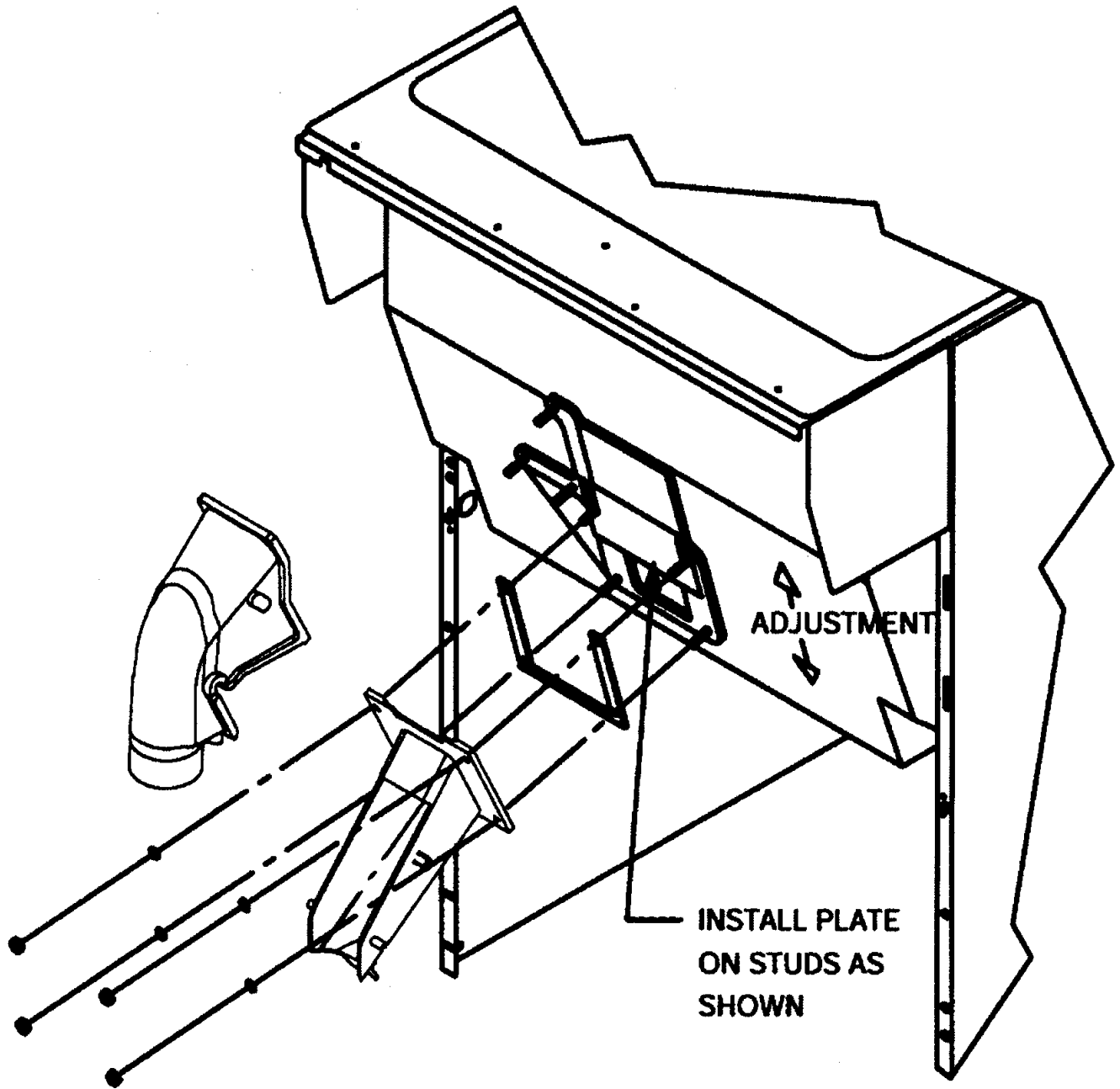
Make a final check for any leaks and correct as necessary.

Reinstall the splash panel and secure it with two Phillips head screws.

Check for proper operation of the dispense system.

Instruct the site manager regarding the requirements for maintaining, operation and sanitizing the dispenser.

CAUTION: Disconnect power to dispenser and ice machine before installing, removing or adjusting restrictor.



ADJUSTMENT

This plate may be adjusted as shown to reduce or increase the dispensing rate of ice, especially desirable when using glasses or other containers with small openings. Adjustment can be made by sliding up or down with the nuts loosened, to obtain the desired amount of restriction.

The sink, grill and splash panel area should be cleaned daily.

The following dispenser maintenance should be performed at the intervals indicated:

Daily (Or As Required)

Remove foreign material from vending area drip tray to prevent drain blockage.

Weekly (Or As Required) Clean vending area. Check for proper water drainage from the vending area.


Monthly Clean and sanitize the hopper interior. **(See Cleaning Instructions)**

CLEANING PRECAUTIONS

WARNING: Disconnect Power Before Cleaning! Do not use metal scrapers, sharp objects or abrasives on the ice storage hopper, top cover and the agitator disk, as damage may result.

Do not use solvents or other cleaning agents, as they may attack the plastic material.

Soap Solution – Use a mixture of mild detergent and warm (100°F) potable water.

| | |
|---|---|
|  | ! WARNING |
| | Ice hopper contains parts that can move at any time and will cause injury if hands are in the way. Do not remove the hopper cover until the unit has been unplugged from the electrical power. |

MONTHLY AND INITIAL START UP:

Sanitize the Ice Storage System.

Note: This should be done by qualified personnel.

CLEANING PRECAUTIONS

WARNING: Disconnect Power Before Cleaning! Do not use metal scrapers, sharp objects or abrasives on the ice storage hopper, top cover and the agitator disk, as damage may result.

Do not use solvents or other cleaning agents, as they may attack the plastic material.

Soap Solution – Use a mixture of mild detergent and warm (100°F) potable water.

1. Disconnect power to the dispenser and ice machine.
2. Remove and discard all remaining ice.
3. Mix a solution of 1 ounce of household bleach to 2 gallons of potable water, or mix a solution of any locally approved sanitizer, following the directions for mixing and applying that sanitizer.

Caution: When pouring liquid into the hopper, do not exceed the rate of ½ gallon per minute.

4. Remove the agitator assembly.
5. Using a long handle nylon bristle brush, clean the interior of the hopper, and top cover with soap solution. Clean the agitator assembly with soap solution using a nylon brush or a sponge. Thoroughly rinse the hopper, top cover and agitator with clean potable water.
6. Remove merchandiser and ice chute cover from the dispenser.
7. With a nylon bristle brush or sponge, clean the inside of the ice chute, gasket and cover with soap solution and rinse thoroughly to remove all traces of detergent.
8. Re-assemble Agitator assembly. Take special care to ensure that the thumbscrew is tight.
9. Using a mechanical spray bottle filled with a sanitizing solution, spray the entire interior and agitator assembly. Allow to air dry.
10. Re-assemble ice chute assembly.
11. Using a mechanical spray bottle filled with a sanitizing solution, spray the inside of the ice chute. Allow to air dry.
12. Reinstall merchandiser.
13. Wipe the top edge of the ice hopper with the sanitizing solution, allow to air dry.
14. Pour in fresh, sanitary ice and replace the cover. Re-connect power to the dispenser and ice machine.

IMPORTANT: only qualified personnel should service internal components or electrical wiring.

Should the dispenser fail to operate properly, check that there is power to the unit and that the hopper contains ice. If the unit does not dispense, check the following chart under the appropriate symptoms to aid in locating the defect.

TROUBLE**PROBABLE CAUSE****Blown fuse or circuit breaker.**

- A. Short circuit in wiring.
- B. Defective gate solenoid.
- C. Defective Agitator

Gate does not open, Agitator does not turn.

- A. No power.
- B. Bent depressor plate (does not actuate switch)
- C. Defective dispensing switch.

Gate does not open, or is sluggish. Agitator turns.

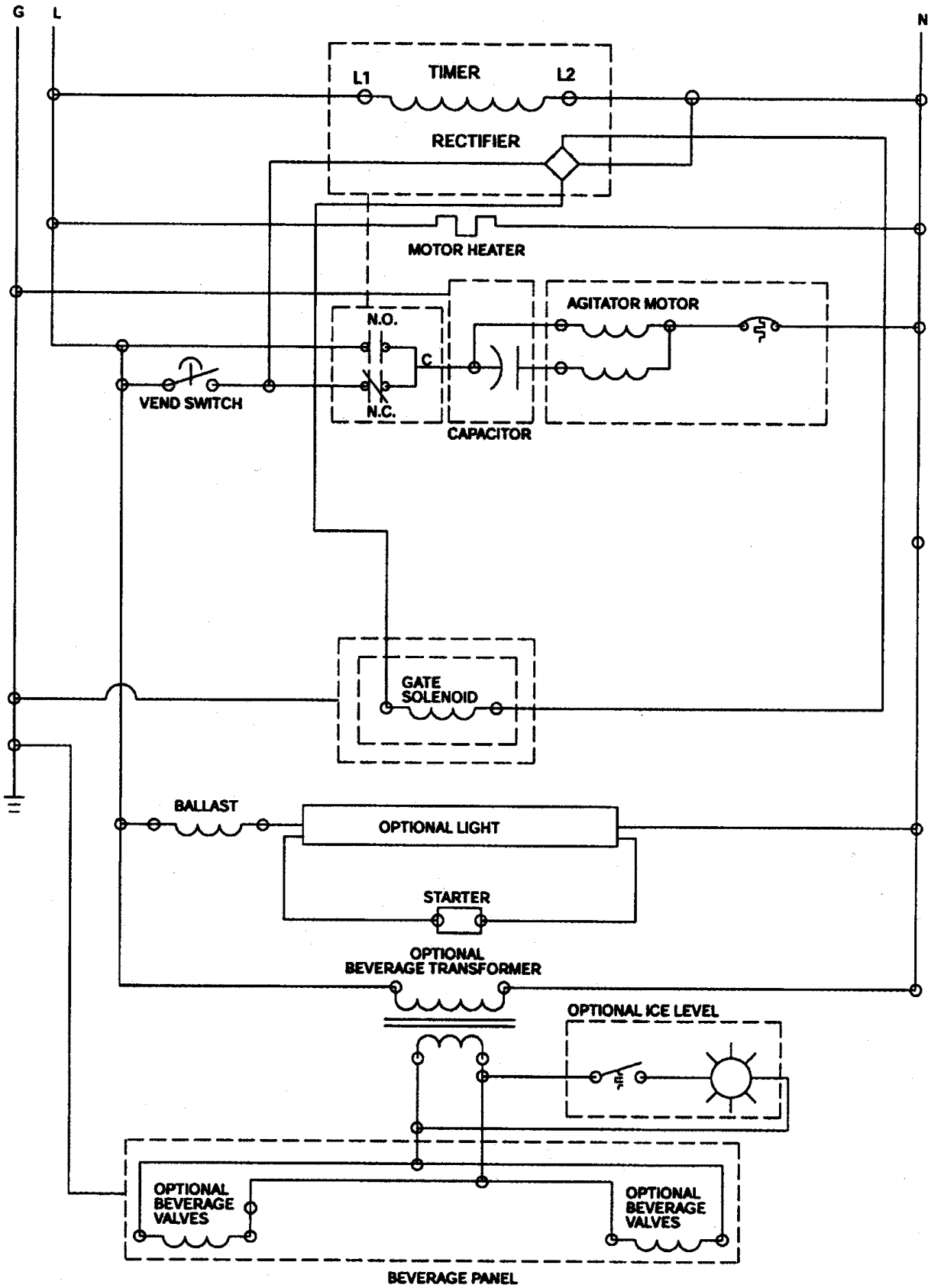
- A. Stuck or bent dispenser plate. (does not release ice)
- B. Excessive pressure against gate slide.
- C. Defective rectifier.

Ice Dispenses Continually

- A. Stuck or bent depressor plate. (does not release switch)
- B. Defective dispensing switch.
- C. Improper switch installation.

Slushy Ice. Water in Hopper

- A. Blocked drain
- B. Unit not level
- C. Poor ice quality due to water quality or icemaker problems.
- D. Improper use of flaked ice.



Free Manuals Download Website

<http://myh66.com>

<http://usermanuals.us>

<http://www.somanuals.com>

<http://www.4manuals.cc>

<http://www.manual-lib.com>

<http://www.404manual.com>

<http://www.luxmanual.com>

<http://aubethermostatmanual.com>

Golf course search by state

<http://golfingnear.com>

Email search by domain

<http://emailbydomain.com>

Auto manuals search

<http://auto.somanuals.com>

TV manuals search

<http://tv.somanuals.com>