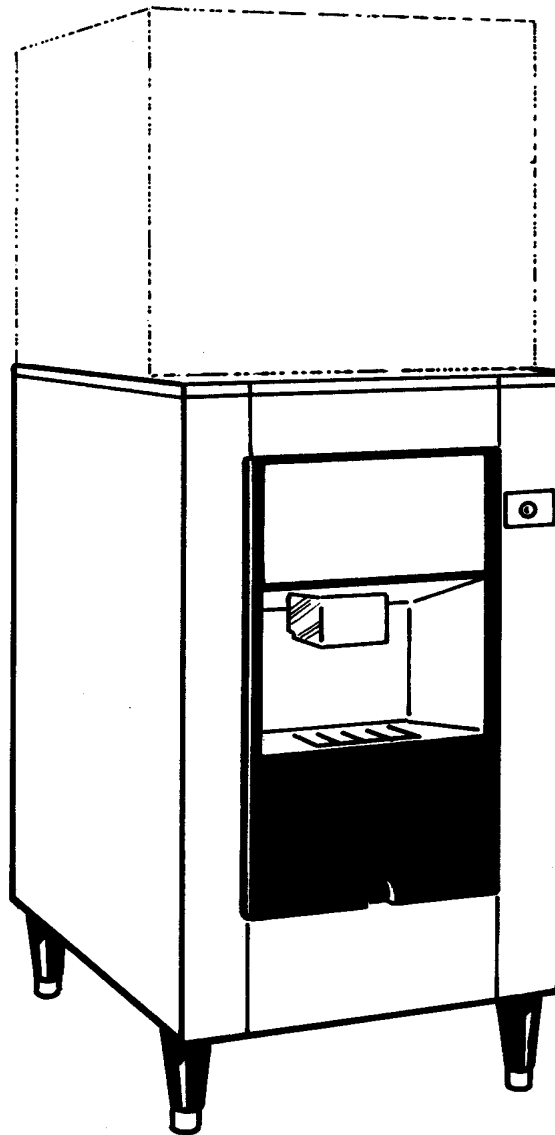


# *Ice-O-Matic*<sup>®</sup>

## SERVICE PARTS MANUAL HOTEL DISPENSER MODEL-CD220



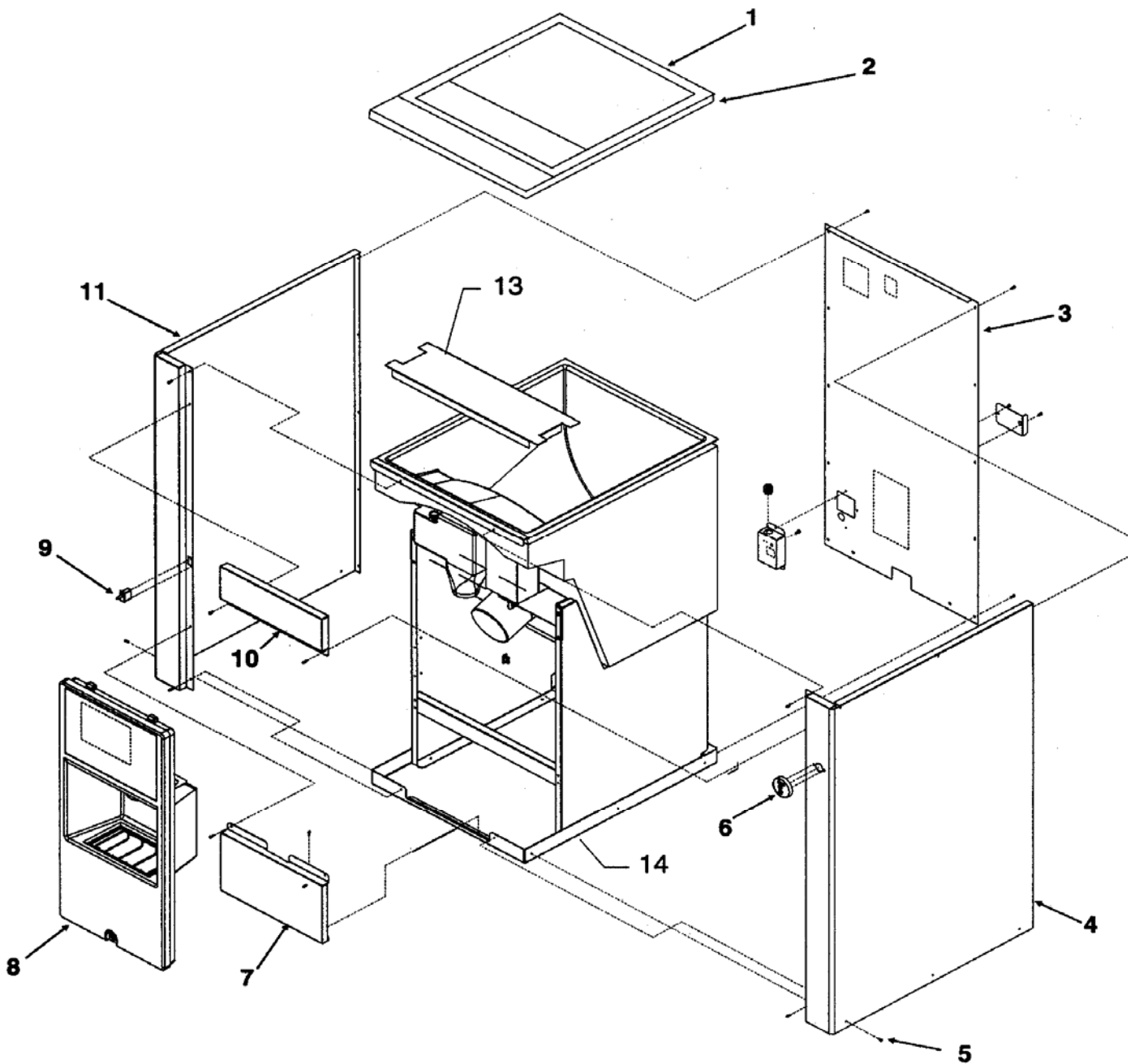
Ice-O-Matic  
11100 East 45th Ave  
Denver, Colorado 80239  
Part Number 9081304-01

Date 1/09



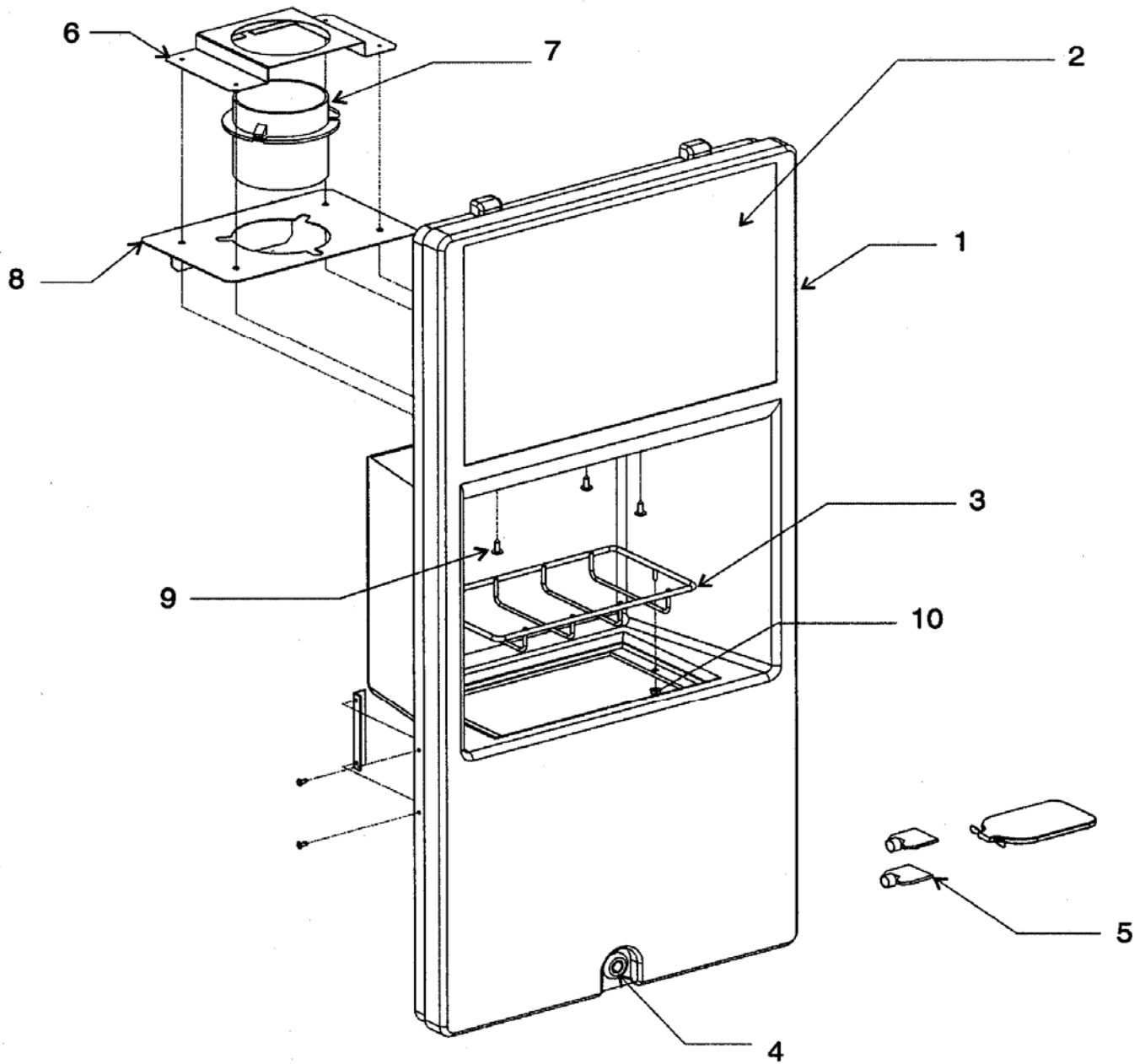
# CD220 Hotel Dispenser Service Parts

# Cabinet Parts



Item No.	Part Number	Description
1	1011339-104	Gasket (86 inches required)
2	1011339-196	Bin Cover
3	NLA	Back Panel
4	1011339-218	Right Side Panel
5	NLA	Screw
6	1011339-34	Vend Switch
7	NLA	Bottom Panel

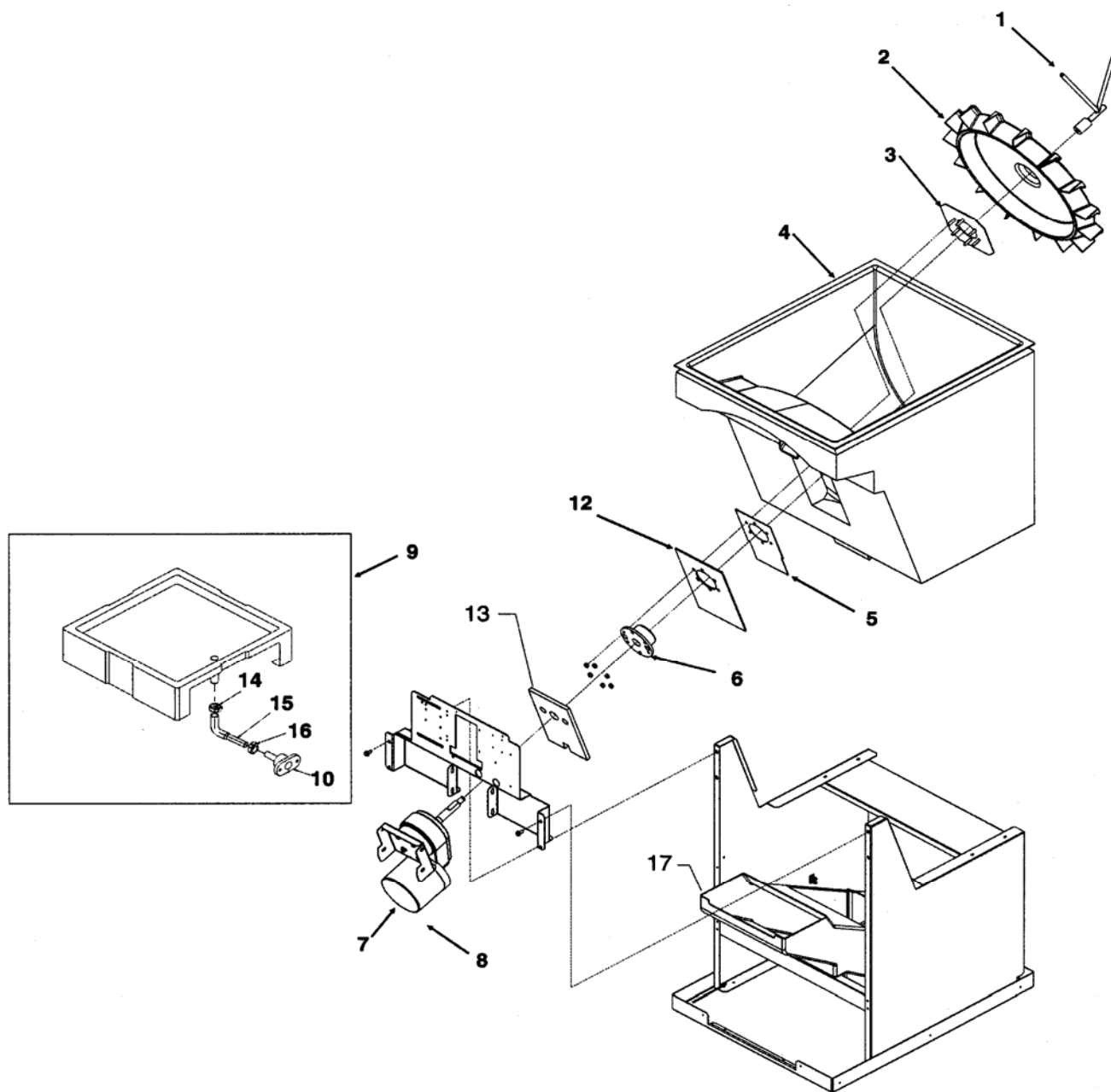
Item No.	Part Number	Description
8	NLA	Sink Assembly
9	1011339-205	Interlock Switch
10	NLA	Top Front Panel
11	1011339-234	Left Side Panel
12	N/A	N/A
13	NLA	Brace
14	NLA	Base



Item No.	Part Number	Description
1	NLA	Sink and panel
2	NLA	Graphic
3	1011339-198	Grill
4	NLA	Lock and Key
5	1011339-29	Key Only
6	NLA	Ice Chute Cover
7	NLA	Ice Chute Cover
8	NLA	Ice Chute Support
9	NLA	Screw
10	NLA	Hex Nut

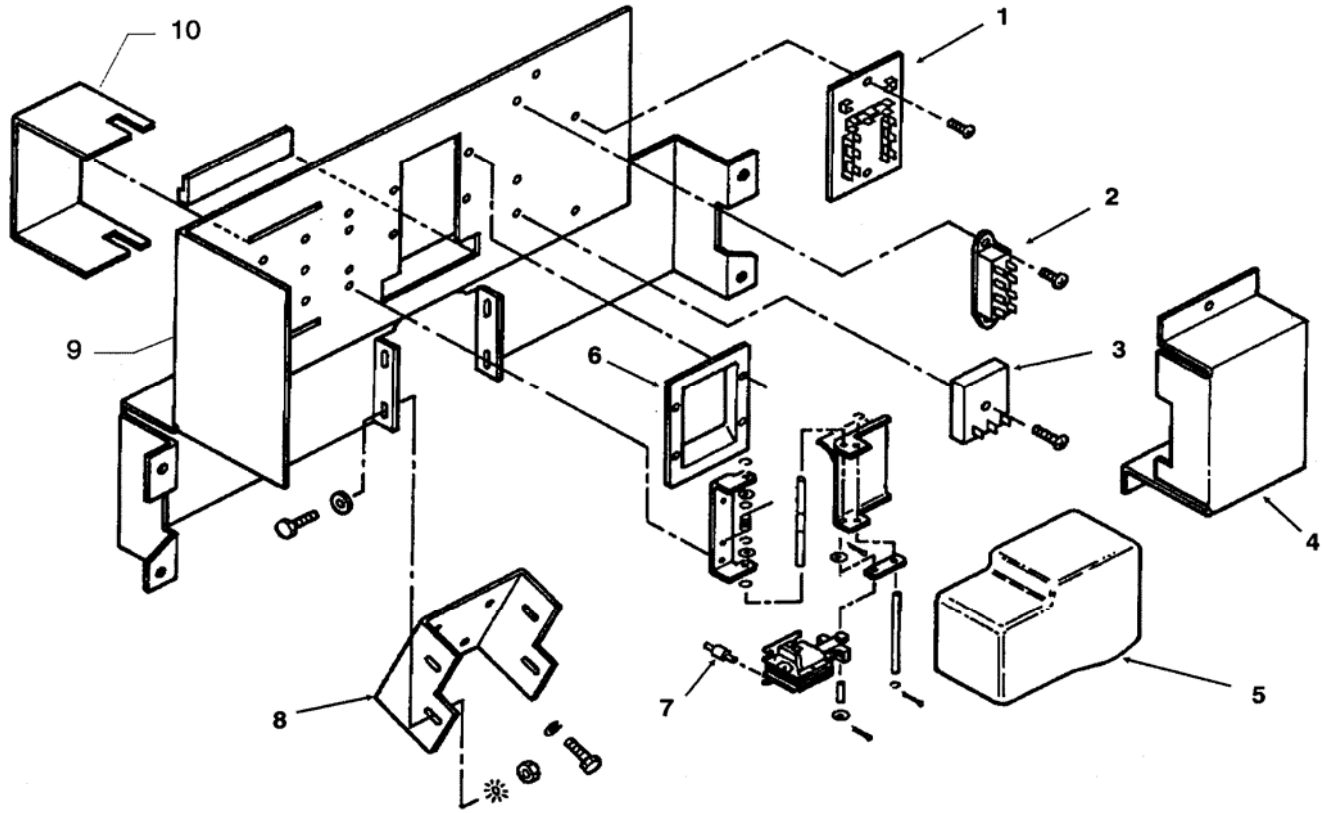
# CD220 Hotel Dispenser Service Parts

## Bin Parts

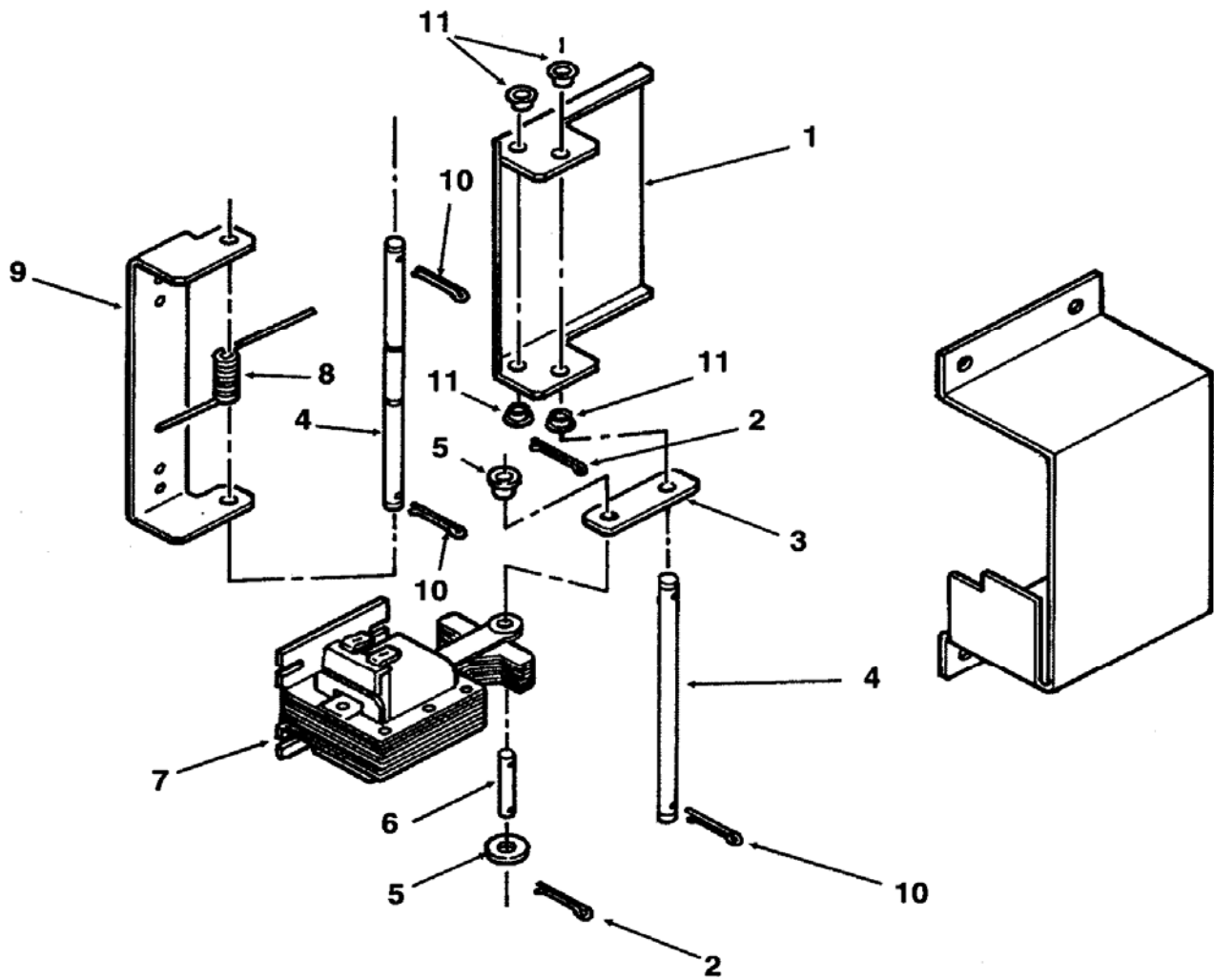


Item No.	Part Number	Description
1	1011339-199	Sweep Arm
2	1011339-144	Rotor
3	1011339-235	Plate Assembly
4	NLA	Bin
5	NLA	Gearmotor Plate
6	1011339-160	Hub, includes Bearing and Seal
6a	NLA	Bearing
6b	NLA	Seal
6c	NLA	Nut
7	1011339-155	Gear Reducer-With Motor

Item No.	Part Number	Description
8	NLA	Capacitor
9	NLA	Drain Pan
10	NLA	Drain Fitting
11	NLA	Leg Set (Not Shown)
12	NLA	Insulation Pad
13	NLA	Insulation Pad
14	NLA	Clamp
15	1011339-36	Tube, Pre-Formed
16	NLA	Clamp
17	NLA	Ice Spill Chute
	NLA	Drain Screen (Not Shown)



Item No.	Part Number	Description
1	NLA	Terminal Board
2	NLA	Control Relay
3	1011339-207	Timer-3 Seconds Every 2 Hours
4	NLA	Cover
5	NLA	Solenoid Cover
	NLA	Thumb Screws for Cover
6	NLA	Spout Adapter
7	NLA	Rubber Mounts
8	1011339-227	Gear Motor Bracket
9	1011339-225	Control Panel
10	NLA	Ice Chute Mount



Item No.	Part Number	Description
1	NLA	Ice Door
2	NLA	Cotter Pin
3	NLA	Solenoid Link
4	NLA	Long Axle
5	1011339-52	Washer
6	NLA	Axle, Linkage
7	1011339-208	Solenoid
8	NLA	Door Spring
9	NLA	Door Hinge
10	NLA	Cotter Pin
11	NLA	Bushing

## Free Manuals Download Website

<http://myh66.com>

<http://usermanuals.us>

<http://www.somanuals.com>

<http://www.4manuals.cc>

<http://www.manual-lib.com>

<http://www.404manual.com>

<http://www.luxmanual.com>

<http://aubethermostatmanual.com>

Golf course search by state

<http://golfingnear.com>

Email search by domain

<http://emailbydomain.com>

Auto manuals search

<http://auto.somanuals.com>

TV manuals search

<http://tv.somanuals.com>