

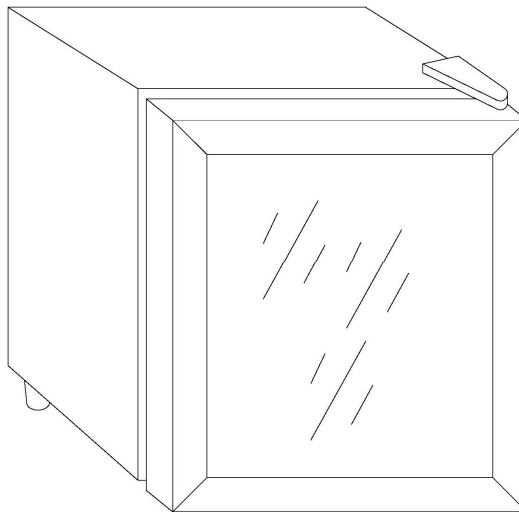


More Than Cool™

INSTRUCTION MANUAL

Model Number:

**FRW152
Wine Cooler**



CAUTION:

BEFORE USE, PLEASE READ AND FOLLOW ALL SAFETY RULES AND OPERATING INSTRUCTIONS.

Igloo® is a registered trademark of Igloo Products Corp.

Licensed to

Curtis International LTD

315 Attwell Drive, Etobicoke, Ontario, M9W 5C1, Canada

Table of Contents

Wine Cooler Safety	3
Important Safeguides	4
Parts and Features	5
Important Safety Instructions	6
Installation Instructions	6
Before Using Your Wine Cooler	6
Installation of Your Wine Cooler	6
Electrical Connection	7
Extension Cord	7
Operating Your Appliance	8
Setting the Temperature Control	8
Storage Capacity	8
Care and Maintenance	9
Defrosting Your Wine Cooler	9
Cleaning Your Appliance	9
Reversing the Door of Your Wine Cooler	9
Vacation Time	9
Moving Your Wine Cooler	9
Energy Saving Tips	9
Troubleshooting Guide	10
Wiring Diagram	10

WINE COOLER SAFETY

Your safety and the safety of others are very important.

We have provided many important safety messages in this manual for your appliance. Always read and obey all safety messages.



This is the Safety Alert Symbol. This symbol alerts you to potential hazards that can kill or injure you and others. All safety messages will follow the Safety Alert Symbol and either the words “DANGER”, “WARNING” or “CAUTION”.



Danger means that failure to heed this safety statement may result in severe personal injury or death.



Warning means that failure to heed this safety statement may result in extensive product damage, serious personal injury, or death.



Caution means that failure to heed this safety statement may result in minor or moderate personal injury, property or equipment damage.

All safety messages will alert you to know what the potential hazard is, tell you how to reduce the chance of injury, and let you know what can happen if the instructions are not followed.

IMPORTANT SAFEGUIDES



Before the Wine Cooler is used, it must be properly positioned and installed as described in this manual, so read the manual carefully. To reduce the risk of fire, electrical shock or injury when using the Wine Cooler, follow basic precautions, including the following:

DANGER

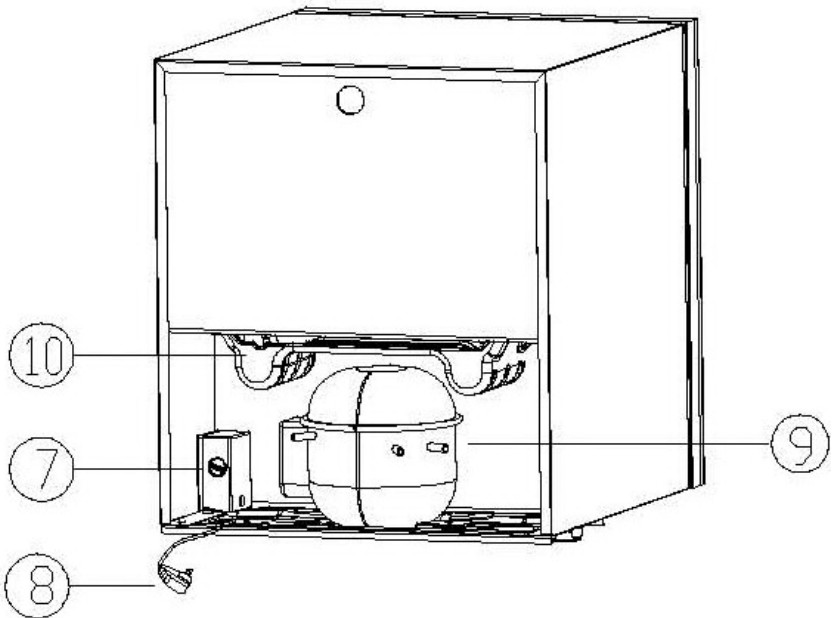
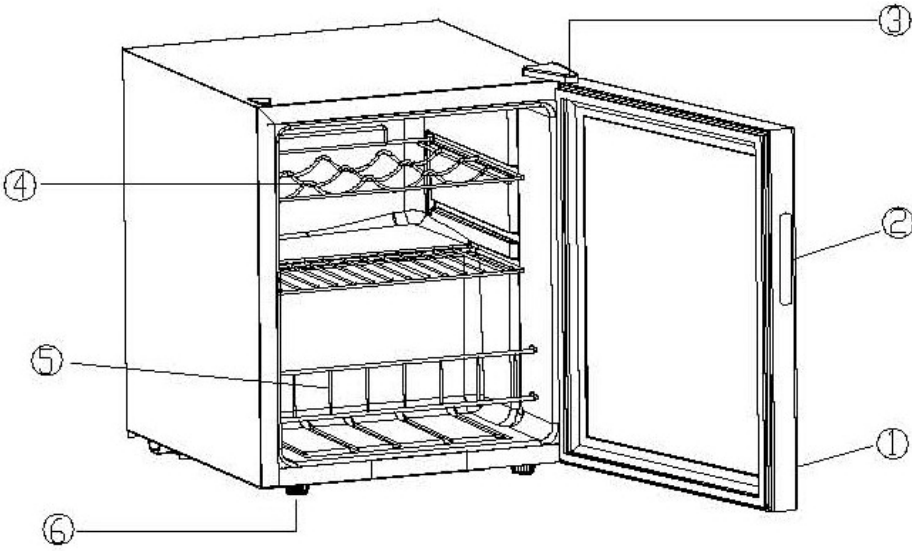
- Plug into a grounded 3-prong outlet, do not remove grounding prong, do not use an adapter, and do not use an extension cord.
- It is recommended that a separate circuit, serving only your Wine Cooler be provided. Use receptacles that cannot be turned off by a switch or pull chain.
- Never clean Wine Cooler parts with flammable fluids. These fumes can create a fire hazard or explosion. And do not store or use gasoline or other flammable vapors and liquids in the vicinity of this or any other appliance. The fumes can create a fire hazard or explosion.
- Before proceeding with cleaning and maintenance operations, make sure the power line of the unit is disconnected.
- Do not connect or disconnect the electric plug when your hands are wet.
- Unplug the Wine Cooler or disconnect power before cleaning or servicing. Failure to do so can result in electrical shock or death.
- Do not attempt to repair or replace any part of your Wine Cooler unless it is specifically recommended in this manual. All other servicing should be referred to a qualified technician.

WARNING

FOLLOW WARNING CALL OUTS BELOW ONLY WHEN APPLICABLE TO YOUR MODEL

- Use two or more people to move and install Wine Cooler. Failure to do so can result in back or other injury.
- To ensure proper ventilation for your Wine Cooler, the front of the unit must be completely unobstructed. Choose a well-ventilated area with temperatures above 60°F (16°C) and below 90°F (32°C). This unit must be installed in an area protected from the elements, such as wind, rain, water spray or drips.
- The Wine Cooler should not be located next to ovens, grills or other sources of high heat.
- The Wine Cooler must be installed with all electrical, water and drain connections in accordance with state and local codes. A standard electrical supply (120 V AC only, 60 Hz), properly grounded in accordance with the National Electrical Code and local codes and ordinances is required.
- Do not kink or pinch the power supply cord of Wine Cooler.
- The fuse (or circuit breaker) size should be 15 amperes.
- It is important for the Wine Cooler to be leveled in order to work properly. You may need to make several adjustments to level it.
- All installation must be in accordance with local plumbing code requirements.
- Make certain that the pipes are not pinched or kinked or damaged during installation.
- Check for leaks after connection.
- Never allow children to operate, play with or crawl inside the Wine Cooler.
- Although the unit has been tested at the factory, due to long-term transit and storage, the first batch of cubes must be discarded.
- Do not use solvent-based cleaning agents or abrasives on the interior. These cleaners may damage or discolor the interior.
- Do not use this apparatus for other than its intended purpose.

PARTS & FEATURES



1	Glass Door	6	Levelling Leg
2	Recessed Handle	7	Temperature Control
3	Door Hinge (Reversible)	8	Power Cord
4	Wine Shelf (2)	9	Compressor
5	Bottle Rack	10	Water Box

IMPORTANT SAFETY INSTRUCTIONS

~ WARNING ~	To reduce the risk of fire, electrical shock, or injury when using your appliance, follow these basic precautions:
<ul style="list-style-type: none">• Read all instructions before using the Wine Cooler.• DANGER or WARNING: Risk of child entrapment. Child entrapment and suffocation are not problems of the past. Junked or abandoned appliances are still dangerous . . . even if they will “just sit in the garage a few days”.• Before you throw away your old Wine Cooler: Take off the door. Leave the shelves in place so that children may not easily climb inside.• Never allow children to operate, play with, or crawl inside the appliance.• Never clean appliance parts with flammable fluids. The fumes can create a fire hazard or explosion.• Do not store or use gasoline or any other flammable vapors and liquids in the vicinity of this or any other appliance. The fumes can create a fire hazard or explosion.• Do not repair or replace any part of the Wine Cooler or attempt any servicing unless specifically recommended in the user-maintenance instructions or in published user-repair instructions. Replace the fuse with the same type. <p style="text-align: center;">-Save these instructions-</p>	

INSTALLATION INSTRUCTIONS

Ø Before Using Your Wine Cooler

- Remove the exterior and interior packing.
- Check to be sure you have all of the following parts:
 - 2 Shelves (1 Large / 1 small)
 - 1 Instruction Manual
 - 1 warranty card
- Clean the interior surface with lukewarm water using a soft cloth.

Ø Installation of Your Wine Cooler

- This Wine Cooler is designed to be free standing installation only, and should not be recessed or built-in (Fully recessed).
- Place your Wine Cooler on a surface that is strong enough to support it when it is fully loaded.
- Allow 5 inches of space between the back and sides of the Wine Cooler, which allows the proper air circulation to cool the heat sink.
- Locate the Wine Cooler away from direct sunlight and sources of heat (stove, heater, radiator, etc.). Direct sunlight may affect the acrylic coating and heat sources may increase electrical consumption. Extreme cold ambient temperatures may also cause the unit not to perform properly.
- This Wine Cooler uses compressor refrigeration technology and is not designed for storage in hot areas like garages, warehouses or outdoors since it is designed to operate at a maximum of 30 degrees below the ambient temperature.
- Avoid locating the unit in moist areas.
- Plug the Wine Cooler into an exclusive, properly installed-grounded wall outlet. Do not under any circumstances cut or remove the third (ground) prong from the power cord. Any questions concerning power and/or grounding should be directed toward a certified electrician or an authorized service center.
- After plugging the Wine Cooler into a wall outlet, allow the unit to cool down for 2-3 hours before placing any items in the compartment.
-

Ø **Electrical Connection**

~ **Warning** ~

Improper use of the grounded plug can result in the risk of electrical shock. If the power cord is damaged, have it replaced by an authorized service center.

This appliance should be properly grounded for your safety. The power cord of this appliance is equipped with a three-prong plug which mates with standard three prong wall outlets to minimize the possibility of electrical shock.

Do not under any circumstances cut or remove the third ground prong from the power cord supplied. For personal safety, this appliance must be properly grounded.

This appliance requires a standard 120 Volt AC / 60Hz electrical ground outlet with three-prong. Have the wall outlet and circuit checked by a qualified electrician to make sure the outlet is properly grounded. When a standard 2-prong wall outlet is encountered, it is your responsibility and obligation to have it replaced with a properly grounded 3-prong wall outlet.

The cord should be secured behind the appliance and not left exposed or dangling to prevent accidental injury.

The appliance should always be plugged into its own individual electrical outlet which has a voltage rating that matches the rating label on the appliance. This provides the best performance and also prevent overloading house wiring circuits that could cause a fire hazard from overheated. Never unplug the appliance by pulling the power cord. Always grip the plug firmly and pull straight out from the receptacle. Repair or replace immediately all power cords that have become frayed or otherwise damaged. Do not use a cord that shows cracks or abrasion damage along its length or at either end. When moving the appliance, be careful not to damage the power cord.

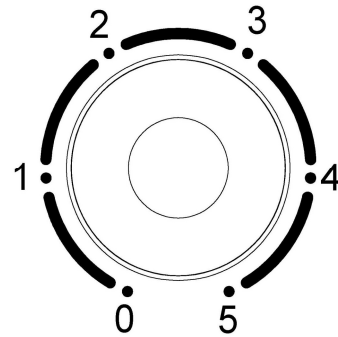
Ø **Extension Cord**

Because of potential safety hazards under certain conditions, it is strongly recommended that you do not use an extension cord with this appliance. However, if you must use an extension cord it is absolutely necessary that it be a UL/CUL-Listed, 3-wire grounding type appliance extension cord having a grounding type plug and outlet and that the electrical rating of the cord be 120 volts and at least 10 amperes.

OPERATING YOUR WINE COOLER

Ø Setting the Temperature Control

- To control the internal temperature, adjust the control dial according to the ambient temperature or purpose of use.
- The first time you turn the unit on, set the temperature control to "5" (coldest setting).
- The temperature range to control is 4°C~10°C, and the relative setting position is from "5" to "0". After 24 to 48 hours, adjust the temperature control to the setting that best suites your needs. The setting of "3" should be correct for home or office Wine Cooler use.



NOTE:

- § If the unit is unplugged, has lost power, or turned off; you must wait 3 to 5 minutes before restarting the unit. If you attempt to restart before this time delay, the Wine Cooler will not start.

Ø Storage Capacity

NOTE: You can place 15 standard bottles in this Wine Cooler.

Many bottles may differ in size and dimensions. As such the actual number of bottles you may be able to store may vary. Bottle capacities are approximate maximums when storing traditional Bordeaux 750ml bottles and include bulk storage.

CARE AND MAINTENANCE

Ø Defrosting Your Wine Cooler

Defrost the Wine Cooler when the frost accumulated on the evaporator is about 5mm (1/5 inch) thick. Set the thermostat dial to "0" position. Defrosting usually takes a few hours. After defrosting, return the thermostat dial to the desired position. To defrost quickly remove Wines from the Wine Cooler and leave the door open. Never use a knife or other metal instrument to scrape ice/frost from the evaporator.

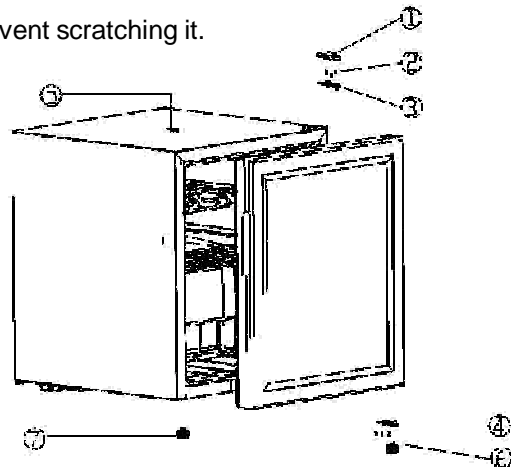
Ø Cleaning Your Wine Cooler

- Turn the temperature control to "0", unplug the Wine Cooler, and remove the wine and shelves.
- Wash the inside surfaces with a warm water and baking soda solution. The solution should be about 2 tablespoons of baking soda to a quart of water.
- Wash the shelves with a mild detergent solution.
- The outside of the Wine Cooler should be cleaned with mild detergent and warm water.
- Wring excess water out of the sponge or cloth before cleaning the area of the controls, or any electrical parts.
- Wash the outside cabinet with warm water and mild liquid detergent. Rinse well and wipe dry with a clean soft cloth.

Ø Reversing the Door Swing of Your Wine Cooler

This appliance has the capability of the door opening from either the left or right side. The unit is delivered to you with the door opening from the left side. Should you desire to reverse the opening direction, please follow the instruction as below.

1. Remove the upper hinge cover (1) first.
2. Remove the three screws (2) that hold the upper hinge (3) (right side) to the frame. Take away the upper hinge (3).
3. Lift the door and place it on a padded surface to prevent scratching it.
4. Remove the three screws (6) that hold the lower hinge (4) and remove hinge (4).
5. Remove the plug (5) and move to the right side.
6. Install the lower hinge onto the left side of the lower frame with three screws (6).
7. Set the door to its place making sure the door seat at the lower hinge (4).
8. While holding the door in the closed position secure the upper hinge (3) in the top frame of left side with three screws (2). Please remember that do not tighten the screws until the top of the door is leveled with the counter top.
9. Install the cover (1) on the upper hinge.



Ø Vacation Time

- **Short vacations:** Leave the Wine Cooler operating during vacations of less than three weeks.
- **Long vacations:** If the appliance will not be used for several months, remove all items and unplug the power cord. Clean and dry the interior thoroughly. To prevent odor and mold growth, leave the door open slightly: blocking it open if necessary.

Ø Moving Your Wine Cooler

- Remove all bottles.
- Securely tape down all loose items (shelves) inside your appliance.
- Tape the door shut.
- Protect outside of appliance with a blanket, or similar item.

Ø Energy Saving Tips

- The Wine Cooler should be located in the coolest area of the room, away from heat producing appliances, and out of the direct sunlight.
- Overloading the Wine Cooler forces the compressor to run longer.

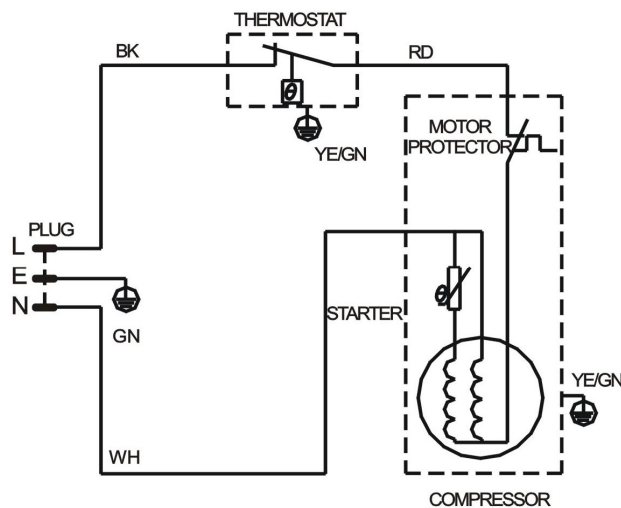
PROBLEMS WITH YOUR WINE COOLER?

You can solve many common Wine Cooler problems easily, saving you the cost of a possible service call. Try the suggestions below to see if you can solve the problem before calling the service.

TROUBLESHOOTING GUIDE

PROBLEM	POSSIBLE CAUSE
Wine Cooler does not operate.	Not plugged in. The circuit breaker tripped or a blown fuse.
Turns on and off frequently.	The room temperature is hotter than normal. The door is opened too often. The door is not closed completely. The temperature control is not set correctly. The door gasket does not seal properly. The Wine Cooler does not have the correct clearances.
Vibrations.	Check to assure that the Wine Cooler is level.
The Wine Cooler seems to make too much noise.	The rattling noise may come from the flow of the refrigerant, which is normal. As each cycle ends, you may hear gurgling sounds caused by the flow of refrigerant in your Wine Cooler. Contraction and expansion of the inside walls may cause popping and crackling noises. The Wine Cooler is not level.
The door will not close properly.	The Wine Cooler is not level. The door was reversed and not properly installed. The gasket is dirty. The shelves are out of position.

WIRING DIAGRAM



PRINTED IN CHINA

Free Manuals Download Website

<http://myh66.com>

<http://usermanuals.us>

<http://www.somanuals.com>

<http://www.4manuals.cc>

<http://www.manual-lib.com>

<http://www.404manual.com>

<http://www.luxmanual.com>

<http://aubethermostatmanual.com>

Golf course search by state

<http://golfingnear.com>

Email search by domain

<http://emailbydomain.com>

Auto manuals search

<http://auto.somanuals.com>

TV manuals search

<http://tv.somanuals.com>