



# IB318B INSTRUCTION MANUAL

## Contents

Warnings and Precautions .....	2
Important Safety Instructions.....	3
In the Box & Features.....	4
Powering the Unit & Changing the Remote's Battery .....	5
Setting the Clock, Setting the Timer, & Setting the Sleep Timer .....	6
Docking an iPod & Playing an iPod.....	7
Playing a CD & Programming a CD .....	8
Using the AM/FM Radio and the Auxiliary Input .....	9
Location of Controls & Definitions .....	10-14
Service Information.....	16

## Warnings and Precautions

TO PREVENT FIRE OR SHOCK HAZARDS, DO NOT EXPOSE THIS UNIT TO RAIN OR MOISTURE.



This symbol, located on back or bottom of the unit, is intended to alert the user to the presence of uninsulated “dangerous voltage” within the product’s enclosure that may be of sufficient magnitude to constitute a risk of electric shock to persons.



This symbol, located on back or bottom of the unit, is intended to alert the user to the presence of important operating and maintenance (servicing) instructions in the literature accompanying the appliance.



This product utilizes a Class 1 laser to read Compact Discs. This laser Compact Disc Player is equipped with safety switches to avoid exposure when the CD door is open and the safety interlocks are defeated. Invisible laser radiation is present when the CD Player’s lid is open and the system’s interlock has failed or been defeated. It is very important that you avoid direct exposure to the laser beam at all times. Please do not attempt to defeat or bypass the safety switches.

**CAUTION:** TO PREVENT ELECTRIC SHOCK, MATCH WIDE BLADE OF PLUG TO WIDE SLOT, FULLY INSERT.

To reduce the risk of electric shock, do not remove cover (or back). There are no user-serviceable parts inside. Please refer any servicing to qualified service personnel.

**WARNING:** Changes or modifications to this unit not expressly approved by the party responsible for compliance could void the user’s authority to operate the equipment.

**WARNING:** Danger of explosion if the remote control’s batteries are incorrectly installed. Replace only with the same or equivalent battery.

**WARNING:** The remote control’s button cell battery contains mercury. Do not put in the trash, instead recycle or dispose of as hazardous waste

**WARNING:** Use of this unit near fluorescent lighting may cause interference regarding use of the remote. If the unit is displaying erratic behavior move away from any fluorescent lighting, as it may be the cause.

**NOTE:** This equipment has been tested and found to comply with the limits for a Class B digital device, pursuant to Part 15 of the FCC Rules. These limits are designed to provide reasonable protection against harmful interference in a residential installation. This equipment generates, uses, and can radiate radio frequency energy and, if not installed and used in accordance with the instructions, may cause harmful interference to radio communications. However, there is no guarantee that interference will not occur in a particular installation. If this equipment does cause harmful interference to radio or television reception, which can be determined by turning the equipment off and on, the user is encouraged to try to correct the interference by one or more of the following measures:

- Reorient or relocate the receiving antenna.
- Increase the separation between the equipment and receiver.
- Connect the equipment into an outlet on a circuit different from that to which the receiver is connected.
- Consult the dealer or an experienced radio/TV technician for help.

# Important Safety Instructions

1. Read Instructions - All the safety and operating instruction should be read before the product is operated.
2. Retain Instructions - The safety and operating instruction should be retained for future reference.
3. Heed Warnings - All warning on the product and in the operating instructions should be adhered to.
4. Follow instructions - All operating and use instructions should be followed.
5. Cleaning - Unplug this product from the wall outlet before cleaning. Do not use liquid cleaners or aerosol cleaners. Use a damp cloth for cleaning.
6. Attachments - Do not use attachments not recommended by the product manufacturer as they may cause hazards.
7. Water and Moisture - Do not use this product near water - for example, near a bath tub, wash bowl, kitchen sink, or laundry tub; in a wet basement, or near a swimming pool, and the like.
8. Accessories - Do not place this product on an unstable cart, stand tripod, bracket, or table. The product may fall, causing serious injury to a child or adult, and serious damage to the product. Use only with a cart, stand, tripod, bracket, or table recommended by the manufacturer, or sold with the product. Any mounting of the product should follow the manufacturer's instructions, and should use a mounting accessory recommended by the manufacturer.
9. A product and cart combination should be moved with care. Quick stops, excessive force, and uneven surfaces may cause the appliance and cart combination to overturn.



10. Ventilation - Slots and openings in the cabinet are provided for ventilation and to ensure reliable operation of the product and to protect it from overheating, and these openings must not be blocked or covered. The openings should never be blocked by placing the product on a bed, sofa, rug, or other similar surface. This product should not be placed in a built-in installation such as a bookcase or rack unless proper ventilation is provided or the manufacturer's instruction have been adhered to.

11. Power Sources - This product should be operated only from the type of power source indicated on the marking label. If you are not sure of the type of power supply to your home, consult your product dealer or local power company. For products intended to operate from battery power, or other sources, refer to the operating instruction.

12. Grounding or Polarization - This product may be equipped with a polarized alternating-current line plug (a plug having one blade wider than the other). This plug will fit into the power outlet only one way. This is a safety feature. If you are unable to insert the plug fully into the outlet, try reversing the plug. If the plug should still fail to fit, contact your electrician to replace your obsolete outlet. Do not defeat the safety purpose of the polarizes plug.

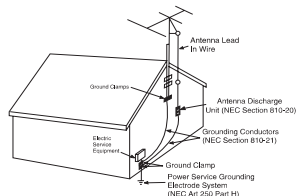
Alternate Warnings - This product is equipped with a three-wire grounding-type plug, a plug having a third (grounding) pin. This plug will only fit into a grounding-type power outlet. This is a safety feature. If you are unable to insert the plug into the outlet, contact your electrician to replace your obsolete outlet. Do not defeat the safety purpose of the grounding-type plug.

13. Power-Cord Protection - Power supply cords should be routed so that they are not likely to be walked on or pinched by items placed upon or against them, paying particular attention to cords at plugs, convenience receptacles, and point where they exit from the product.

14. Protective Attachment Plug - The product is equipped with an attachment plug having overload protection. This is a safety feature. See Instruction Manual for replacement or resetting of protective device. If replacement of the plug is required, be sure the service technician has used a replacement plug specified by the manufacturer that has the same overload protection as the original plug.

15. Outdoor Antenna Grounding - If an outside antenna is connected to the receiver, be sure the antenna system is grounded so as to provide some protection against voltage surges and built-up static charges. Article 810 of the National Electrical Code, ANSI/NFPA 70, provides information with regard to proper grounding of the mast and supporting structure, grounding of the mast and supporting structure, grounding of the lead-in wire to an antenna-discharge unit, size of grounding conductors, location of antenna-discharge unit, connection to grounding electrodes, and requirements for the grounding electrode.

See figure:

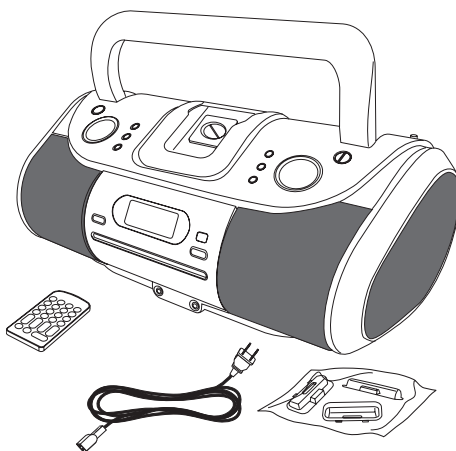


16. Lightning - For added protection for this product during a lightning storm, or when it is left unattended and unused for long periods of time, unplug it from the wall outlet and disconnect the antenna or cable system. This will prevent damage to the product due to lightning and power-line surges.
17. Power Lines - An outside antenna system should not be located in the vicinity of overhead power lines or other electric light or power circuits, or where it can fall into such power lines or circuits. When installing an outside antenna system, extreme care should be taken to keep from touching such power lines or circuits as contact with them might be fatal.
18. Overloading - Do not overload wall outlets, extension cords, or integral convenience receptacles as this can result in a risk of fire or electric shock.
19. Object and Liquid Entry - Never push objects of any kind into this product through openings as they may touch dangerous voltage points or short-out parts that could result in a fire or electric shock. Never spill liquid of any kind on the product.
20. Servicing - Do not attempt to service this product yourself as opening or removing covers may expose you to dangerous voltage or other hazards. Refer all servicing to qualified service personnel.
21. Damage Requiring Service - Unplug this product from the wall outlet and refer servicing to qualified service personnel under the following conditions:
  - a) When the power-supply cord or plug is damaged,
  - b) If liquid has been spilled, or objects have fallen into the product,
  - c) If the product has been exposed to rain or water,
  - d) If the product does not operate normally by following the operating instructions. Adjust only those controls that are covered by the operating instructions as an improper adjustment of other controls may result in damage and will often require extensive work by a qualified technician to restore the product to its normal operation.
  - e) If the product has been dropped or damaged in any way, and
  - f) When the product exhibits a distinct change in performance - this indicates a need for service.
22. Replacement Parts - When replacement parts are required, be sure the service technician has used replacement parts specified by the manufacturer or have the same characteristics as the original part. Unauthorized substitutions may result in fire, electric shock, or other hazards.
23. Safety Check - Upon completion of any service or repairs to this product, ask the service technician to perform safety checks to determine that the product is in proper operating condition.
24. Wall or Ceiling Mounting - The product should be mounted to a wall or ceiling only as recommended by the manufacturer.
25. Heat - The product should be situated away from heat sources such as radiators, heat registers, stoves, or other products (including amplifiers) that produce heat.

## In the Box

---

- IB318B
- Brackets for iPod
- Remote Control
- AC Cord
- Documentation



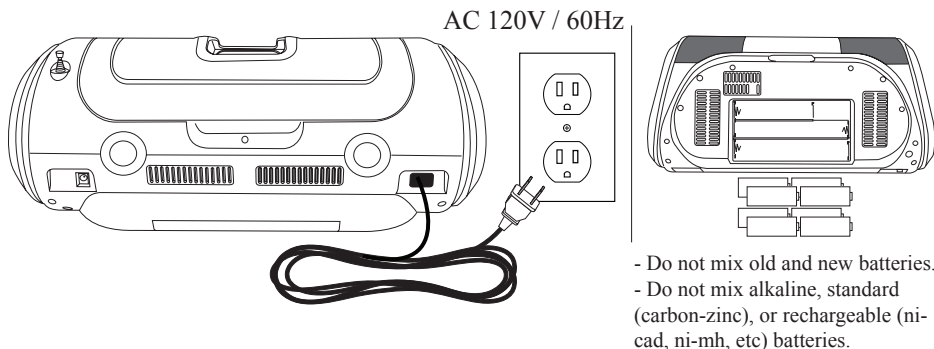
## Features

---

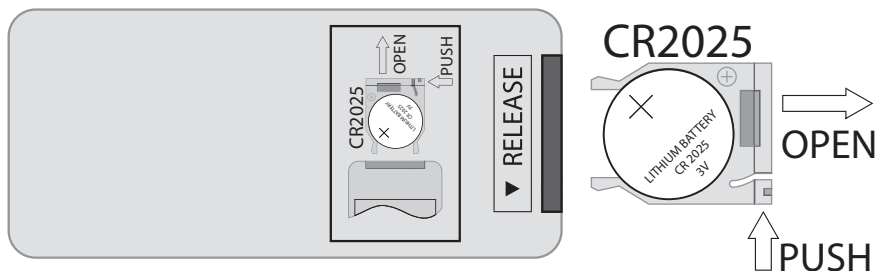
- Docking Station for iPod®
- Certified iPod Connector installed for iPod docking
- Recharge Circuit for iPod/mini/nano/photo/video
- Controls connected iPod players
- Slot-Load CD Player
- Plays CD/CD-R/RW Audio Tracks
- Programmable Tracks
- Digital Volume
- Preset EQ: Rock, Pop, Jazz, Classic
- 3-Position Bass Level
- Digital Tune AM/FM Stereo Radio
- Station Memory Presets
- Blue Backlit LCD Display
- Digital Clock
- Timer Function
- 2.1 Channel Stereo Speakers Built In
- Dual SubWoofers built in
- Aux-In Jack for Shuffle & other Audio Players, 3.5mm type
- Stereo Headphone Jack
- Full-Function Remote Control
- Controls docked iPod and Player
- Uses Button Cell Battery
- AC/DC Dual Power
- AC: 110V AC Line Cord
- DC: Uses 8-”C” size Batteries, (not included)
- Detachable AC Cord
- Remote Control, Remote battery included
- Brackets for iPod Players

## Powering the Unit

The unit can be powered by 8 C batteries (not included), or by being plugged into a standard AC outlet (120V ~ 60Hz), or using the AC/DC Adapter (not included).



## Changing the Remote Battery



1. Push the Release Button and pull out the Battery Compartment to access the battery.
2. Replace the old battery with an equivalent new battery (CR2025).
3. The positive side of the battery, as indicated by a plus symbol, must be facing up when inserted into the remote.

## Setting the Clock

---

1. Press the **Power Button** to turn the unit off, then press and hold the **Mem/Clk Adj Button**.
  2. Use the **Skip/Search Buttons** to select 12Hr or 24Hr clock, and press the **Mem/Clk Adj Button** to confirm the selection.
  3. Press the **Skip/Search Buttons** to adjust the hour, and press the **Clk Adj Button** to confirm the hour.
  4. Press the **Skip/Search Buttons** to adjust the minute, and press the **Clk Adj Button** to confirm the minute.
- 

## Setting the Timer

---

1. Press the **Timer Button** to view the timer, then press and hold the **Timer Button** to adjust the timer setting.
  2. Press the **Skip/Search Buttons** to adjust the hour for the “Timer On” time. Press the **Timer Button** to confirm the hour.
  3. Press the **Skip/Search Buttons** to adjust the minute for the “Timer On” time. Press the **Timer Button** to confirm the minute.
  4. Press the **Skip/Search Buttons** to adjust the hour for the “Timer Off” time. Press the **Timer Button** to confirm the hour.
  5. Press the **Skip/Search Buttons** to adjust the minute for the “Timer Off” time. Press the **Timer Button** to confirm the minute.
- 

## Setting the Sleep Timer

---

1. Press the **Sleep Button** consecutively to adjust and set the sleep timer.

*The sleep timer can be set from 10 to 90 minutes in 10 minute increments.*

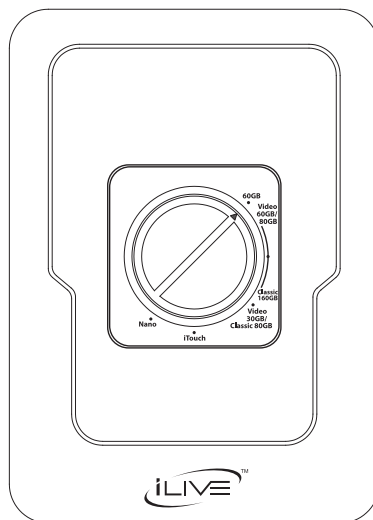
---

## Docking an iPod

1. Turn the dial in the Docking Station to the desired iPod model.

*The dial will rise from the unit to create the necessary depth for the selected iPod model.*

*When inserting an iPod nano (first or second generation), slide the Dock connection on the unit so that it matches the opening on the iPod nano (first or second generation).*



## Playing an iPod

1. Connect an iPod to the **Docking Station**. (See “Docking an iPod”)
2. Press the **Power Button** to turn the unit on.
3. Press the **iPod Button** to switch the unit to iPod mode.
4. Press the **Play/Pause Button** to begin playing the docked iPod.
5. Press the **Volume Buttons** to increase or decrease the volume of the unit.
6. Press the **Skip/Search Buttons** to skip tracks. Press and hold the **Skip/Search Buttons** to search through individual tracks.
7. Press the **Chapter, Album, or Playlists Buttons** on the remote to navigate through the chapters, albums, or playlists on a docked iPod.
8. Press the **Directional Buttons** and **Select Button** on the remote to navigate the iPod’s menu and make selections.
9. Press the **Repeat/M-Dn Button** consecutively to repeat a single track or entire album.
10. Press the **Shuffle Button** to play songs from a CD or an iPod in a random order.

## Playing a CD

---

1. Press the **Power Button** to turn the unit on.
2. Press the **Function Button** and switch the unit to CD mode.
3. Insert a CD or CD-R/RW disc into the **Slot Load CD Drive**.
4. Press the **Play/Pause/Mem-Up Button** to play or pause the loaded CD.
5. Press the **Skip/Search Buttons** to skip tracks. Press and hold the **Skip/Search Buttons** to search through individual tracks.
6. Press the **Repeat/M-Dn Button** consecutively to repeat a single track or entire album.
7. Press the **Shuffle Button** to play songs from a CD in a random order.
8. Press the **Eject Button** to eject the loaded CD from the unit.

## Programming a CD

---

1. Press the **Power Button** to turn the unit on.
2. Press the **Function Button** and switch the unit to CD mode.
3. Insert a CD or CD-R/RW disc into the **Slot Load CD Drive**.
4. Press the **Mem/Clk Adj Button** to activate the program function.
5. Press the **Skip/Search Buttons** to select a CD track, and press the **Mem/Clk Adj Button** to confirm the selection.

*The programmed tracks will play in the order they are selected.*

6. Repeat step 5 until the desired tracks are programmed.

*Up to 20 tracks can be programmed.*

7. Press the **Play/Pause/Mem-Up Button** to play or pause the programmed CD tracks.



## Tuning the AM/FM Radio

---

1. Press the **Power Button** to turn the unit on.
2. Press the **Function Button** to switch to unit to radio mode.
3. Press the **Stop/Band Button** to switch between AM and FM radio.

*Extend and adjust the telescopic FM antenna to improve FM reception.*

*An AM antenna is built-in to the unit. Adjust the position of the unit to improve AM reception.*

4. Press the **Skip/Search Buttons** to tune the radio.

## Saving a Radio Station to the Unit's Memory

---

1. Press the **Power Button** to turn the unit on.
2. Press the **Function Button** to switch to unit to radio mode.
3. Press the **Stop/Band Button** to switch between AM and FM radio.
4. Press the **Skip/Search Buttons** to tune the radio.
5. Press and hold the **Mem/Clk Adj Button** to begin saving the current radio station.
6. Press the **Skip/Search Buttons** to select a memory slot for the current radio station.

*Choose from "P01" to "P10".*

7. Press the **Mem/Clk Adj Button** to confirm the selected memory slot.
8. Press the **Play/Pause/Mem-Up Button** and **Repeat/M-Dn Button** to cycle through the saved radio stations.

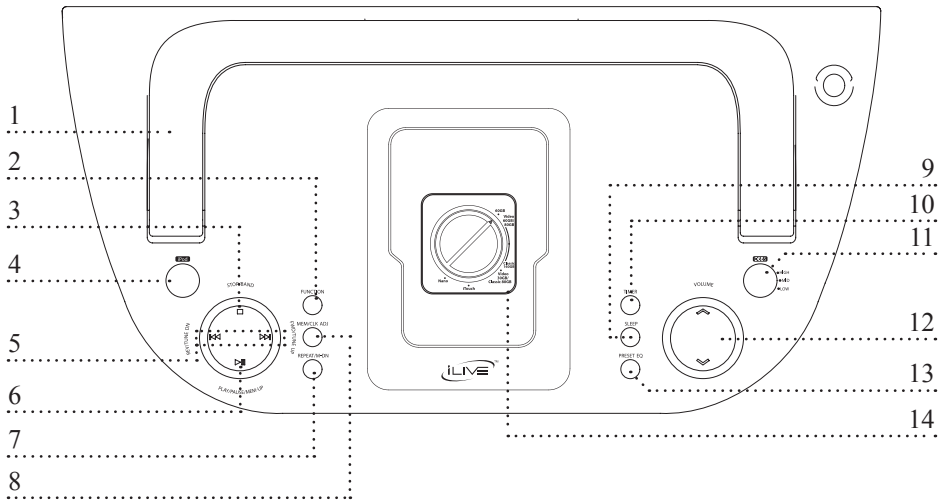
## Using the Auxiliary Input

---

1. Plug one end of a 3.5 mm mini-phono cable (not included) or a 3.5 mm mini-phono to RCA cable (not included) into the **Aux Input** on the unit.
2. Plug the other end of the cable into the audio output/headphone output on an Mp3 Player or Other Audio Source.
3. Press the **Power Button** to turn the unit on.
4. Press the **Function Button** to switch the unit to aux mode.
5. Audio played from the Mp3 Player or Other Audio Source will now be heard on the unit.

*If connecting to the headphone output of an audio source, the source's volume controls may need to be adjusted for optimal sound.*

# Location of Controls



# Control Definitions

---

## **1 Handle**

Use the handle to carry and move the unit.

---

## **2 Function Button**

Press the Function Button to switch between radio mode, CD mode, and Aux mode.

---

## **3 Stop/Band Button**

Press the Stop Button to stop a CD or iPod during play.

- Press the Stop/Band Button in radio mode to switch between AM and FM.
- 

## **4 iPod Button**

Press the iPod Button to put the unit in iPod mode.

---

## **5 Skip/Search Buttons**

Press the Skip/Search Buttons to skip through audio tracks on a CD or docked iPod.

- Press and hold the Skip/Search Buttons to search through an individual track on a CD or docked iPod
- 

## **6 Play/Pause/Mem-Up Button**

Press the Play/Pause/Mem-Up Button to play or pause a CD track or docked iPod.

- Press the Mem-Up Button in radio mode to skip through saved radio stations.
- 

## **7 Repeat/M-Dn Button**

Press the Repeat/M-Dn Button consecutively to repeat a single track or entire album.

- Press the Repeat/M-Dn Button in radio mode to skip through saved radio stations.
- 

## **8 Mem/Clk Adj Button**

Press the Mem/Clk Adj Button in radio mode to save the current station to the unit's memory.

- Press and hold the Mem/Clk Adj Button with the unit powered off to set the clock.
  - In CD mode, press the Mem/Clk Adj Button to program a CD.
- 

## **9 Sleep Button**

Press the Sleep Button consecutively to set the sleep timer between 90 and 10 minutes in increments of 10.

---

## **10 Timer Button**

Press the Timer Button to view and adjust the on and off timer.

---

## **11 Dynamic Bass Boost System Dial**

Turn the Dynamic Bass Boost System Dial to adjust the dynamic bass of the unit to Lo, Med, or Hi.

---

## **12 Volume Buttons**

Press the Volume Buttons to adjust the volume of the unit.

---

## **13 EQ Button**

Press the EQ Button to adjust the equalizer to Rock, Classic, Jazz, or Pop.

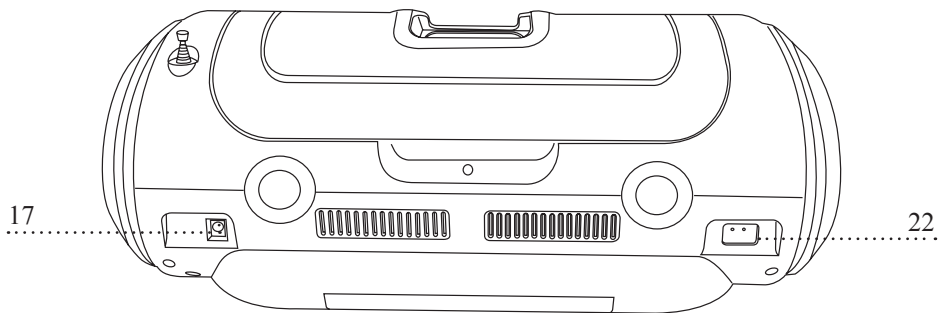
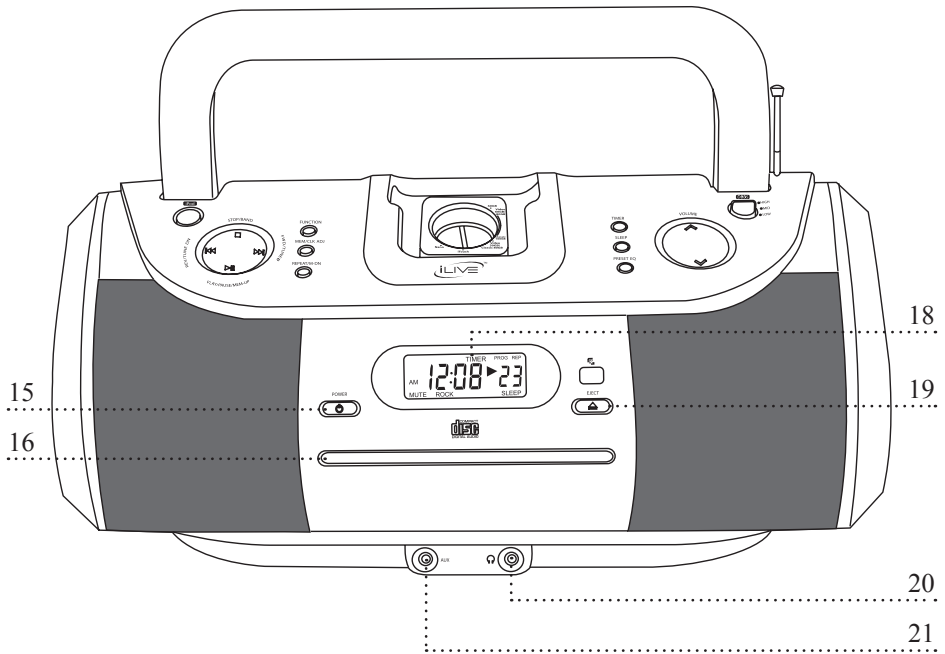
---

## **14 Docking Station for iPod**

Use the Docking Station for iPod to dock an iPod.

---

# Location of Controls



## Control Definitions

---

### **15 Power Button**

Press the Power Button to turn the unit off and on.

---

### **16 Slot Load CD Drive**

Use the Slot Load CD Player to play CD and CD-R/RW discs.

---

### **17 DC Power Input (12V)**

Connect the DC Power Input to a car lighter.

---

### **18 LCD Display**

The LCD displays all of the unit's feature information.

---

### **19 Eject Button**

Press the Eject Button to eject a CD from the Slot Load CD Drive.

---

### **20 Headphone Jack**

Use the headphone jack to connect a set of headphones or earbuds to the unit.

---

### **21 Auxiliary Input**

Use the Auxiliary Input to connect an MP3 player to the unit.

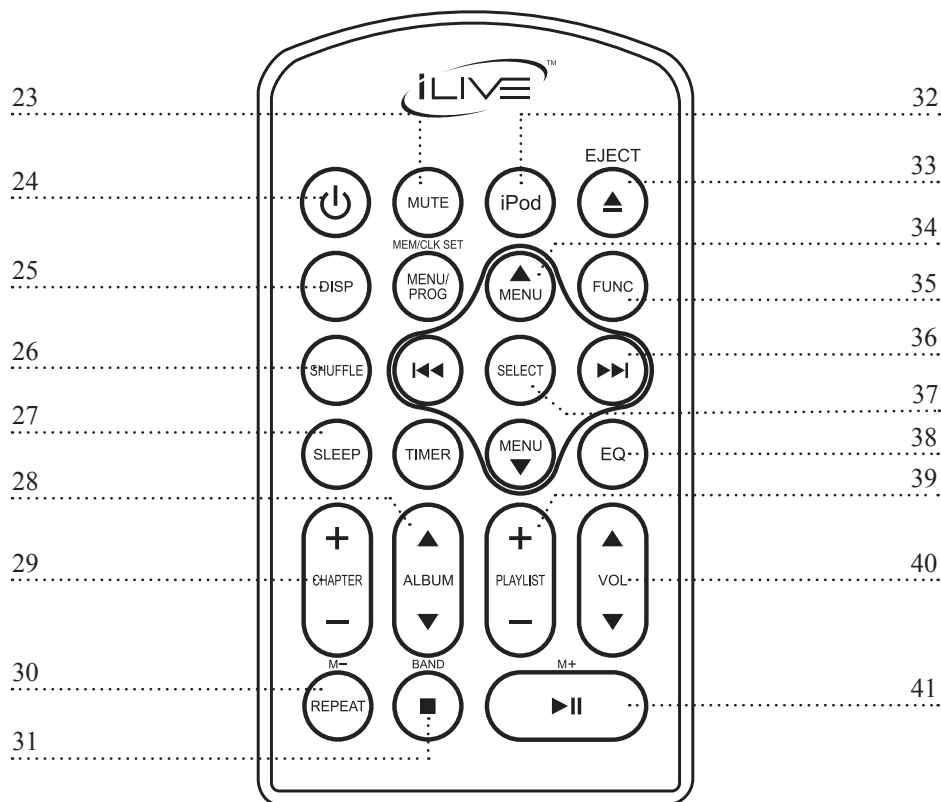
---

### **22 AC Power Connection**

Connect the AC Power Connection to a standard AC outlet (120V~60Hz) to power the unit.

---

## Location of Controls



### 23 Mute Button

Press the Mute Button to mute the unit's volume.

### 24 Power Button

Press the Power Button to turn the unit off and on.

### 25 Display Button

Press the Display Button to view the current function or the time.

### 26 Shuffle Button

Press the Shuffle Button to play songs from a CD or an iPod in a random order.

### 27 Sleep Button

Press the Sleep Button consecutively to set the sleep timer between 90 and 10 minutes in increments of 10.

### 28 Album Buttons

Use the Album Buttons to cycle through albums on a docked iPod.

## Control Definitions

---

### 29 Chapter Buttons

Use the Chapter Buttons to cycle through chapters on a docked iPod.

### 30 Repeat/M-Dn Button

Press the Repeat/M-Dn Button consecutively to repeat a single track or entire album.

- Press the Repeat/M-Dn Button in radio mode to skip through saved radio stations.

### 31 Stop/Band Button

Press the Stop Button to stop a CD or iPod during play.

- Press the Stop/Band Button in radio mode to switch between AM and FM.

### 32 iPod Button

Press the iPod Button to put the unit in iPod mode.

### 33 Eject Button

Press the Eject Button to eject a CD from the Slot Load CD Drive.

### 34 Menu Buttons

Press the Menu Buttons to navigate through the menu on a docked iPod.

### 35 Function Button

Press the Function Button to switch between radio mode, CD mode, and Aux mode.

### 36 Skip/Search Buttons

Press the Skip/Search Buttons to skip through audio tracks on a CD or docked iPod.

- Press and hold the Skip/Search Buttons to search through an individual track on a CD or docked iPod

### 37 Select Button

Press the Select Button to make selections in the iPod's menu system

### 38 EQ Button

Press the EQ Button to adjust the equalizer to Rock, Classic, Jazz, or Pop.

### 39 Playlist Buttons

Use the Playlist Buttons to cycle through playlists on a docked iPod.

### 40 Volume Buttons

Press the Volume Buttons to adjust the volume of the unit.

### 41 Play/Pause/Mem-Up

Press the Play/Pause/Mem-Up Button to play or pause a CD track or docked iPod.

- Press the Mem-Up Button in radio mode to skip through saved radio stations.



## Service Information

**Address** 2116 Carr Street, St. Louis MO, 63106

**Phone** 1-314-621-2881

**Fax** 1-314-588-1805

**Email** [customerservice@ilive.net](mailto:customerservice@ilive.net)

**Website** [www.ilive.net](http://www.ilive.net)

To download this Instruction Manual in English, Spanish, or French visit the Support section at [www.ilive.net](http://www.ilive.net).

Para descargar este manual de instrucción en inglés, español, o francés visite la sección de la ayuda en [www.ilive.net](http://www.ilive.net).

Pour télécharger ce manuel d'instruction en anglais, espagnol, ou le Français visitez la section de soutien à [www.ilive.net](http://www.ilive.net).

© 2007 DPI, Inc. iPod not included. iPod is a trademark of Apple Inc., registered in the U.S. and other countries. TruBass, SRS and the SRS logo are trademarks of SRS Labs, Inc. All other trademarks appearing herein are the property of their respective owners.



## Free Manuals Download Website

<http://myh66.com>

<http://usermanuals.us>

<http://www.somanuals.com>

<http://www.4manuals.cc>

<http://www.manual-lib.com>

<http://www.404manual.com>

<http://www.luxmanual.com>

<http://aubethermostatmanual.com>

Golf course search by state

<http://golfingnear.com>

Email search by domain

<http://emailbydomain.com>

Auto manuals search

<http://auto.somanuals.com>

TV manuals search

<http://tv.somanuals.com>