

# IB319B-IB

## Portable Music System

---



## TABLE OF CONTENTS

Warnings and Precautions .....	2
Important Safety Instructions.....	3
In the Box & Features .....	4
Powering the Unit & Changing the Remote Battery .....	5
Docking an iPod & Playing an iPod .....	6
Playing a CD .....	6
Tuning the AM/FM Radio.....	7
Saving a Radio Station to the Unit's Memory .....	7
Using the Auxiliary Input.....	7
Locations of Controls & Definitions.....	8-15
Parts & Service Information .....	16

# Warnings and Precautions

---



This symbol, located on back or bottom of the unit, is intended to alert the user to the presence of uninsulated “dangerous voltage” within the product’s enclosure that may be of sufficient magnitude to constitute a risk of electric shock to persons.

**CAUTION:** TO PREVENT ELECTRIC SHOCK, MATCH WIDE BLADE OF PLUG TO WIDE SLOT, FULLY INSERT.

To reduce the risk of electric shock, do not remove cover (or back). There are no user-serviceable parts inside. Please refer any servicing to qualified service personnel.

**WARNING:** Changes or modifications to this unit not expressly approved by the party responsible for compliance could void the user’s authority to operate the equipment.

**WARNING:** To prevent fire or shock hazards, do not expose this unit to rain or moisture.

**WARNING:** Danger of explosion if the remote control’s batteries are incorrectly installed. Replace only with the same or equivalent battery.

**WARNING:** The remote control’s button cell battery contains mercury. Do not put in the trash, instead recycle or dispose of as hazardous waste

**WARNING:** Use of this unit near fluorescent lighting may cause interference regarding use of the remote. If the unit is displaying erratic behavior move away from any fluorescent lighting, as it may be the cause.

Do not mix old and new batteries.

Do not mix alkaline, standard (carbon-zinc), or rechargeable (ni-cad, ni-mh, etc) batteries.

**NOTE:** This equipment has been tested and found to comply with the limits for a Class B digital device, pursuant to Part 15 of the FCC Rules. These limits are designed to provide reasonable protection against harmful interference in a residential installation. This equipment generates, uses, and can radiate radio frequency energy and, if not installed and used in accordance with the instructions, may cause harmful interference to radio communications. However, there is no guarantee that interference will not occur in a particular installation. If this equipment does cause harmful interference to radio or television reception, which can be determined by turning the equipment off and on, the user is encouraged to try to correct the interference by one or more of the following measures:

- Reorient or relocate the receiving antenna.
- Increase the separation between the equipment and receiver.
- Connect the equipment into an outlet on a circuit different from that to which the receiver is connected.
- Consult the dealer or an experienced radio/TV technician for help.



This symbol, located on back or bottom of the unit, is intended to alert the user to the presence of important operating and maintenance (servicing) instructions in the literature accompanying the appliance.



This product utilizes a Class 1 laser to read Compact Discs. This laser Compact Disc Player is equipped with safety switches to avoid exposure when the CD door is open and the safety interlocks are defeated. Invisible laser radiation is present when the CD Player’s lid is open and the system’s interlock has failed or been defeated. It is very important that you avoid direct exposure to the laser beam at all times. Please do not attempt to defeat or bypass the safety switches.

# Important Safety Instructions

- Read Instructions** - All the safety and operating instruction should be read before the product is operated.
- Retain Instructions** - The safety and operating instruction should be retained for future reference.
- Heed Warnings** - All warning on the product and in the operating instructions should be adhered to.
- Follow instructions** - All operating and use instructions should be followed.
- Cleaning** - Unplug this product from the wall outlet before cleaning. Do not use liquid cleaners or aerosol cleaners. Clean only with a dry cloth.
- Attachments** - Do not use attachments not recommended by the product manufacturer as they may cause hazards.
- Water and Moisture** - Do not use this product near water - for example, near a bath tub, wash bowl, kitchen sink, or laundry tub; in a wet basement, or near a swimming pool, and the like. The apparatus shall not be exposed to dripping or splashing and that no objects filled with liquids, such as vases, shall be placed on apparatus.  
*L'appareil ne doit pas être exposé aux écoulements ou aux éclaboussures et aucun objet ne contenant de liquide, tel qu'un vase, ne doit être placé sur l'objet.*
- Accessories** - Do not place this product on an unstable cart, stand tripod, bracket, or table. The product may fall, causing serious injury to a child or adult, and serious damage to the product. Use only with a cart, stand, tripod, bracket, or table recommended by the manufacturer, or sold with the product. Any mounting of the product should follow the manufacturer's instructions, and should use a mounting accessory recommended by the manufacturer.
- Use only with the cart, stand, tripod, bracket, or table specified by the manufacturer, or sold with the apparatus. When a cart is used, use caution when moving the cart/apparatus combination to avoid injury from tip-over.

See figure:



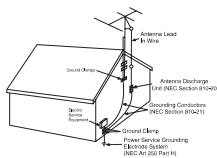
- Ventilation** - Slots and openings in the cabinet are provided for ventilation and to ensure reliable operation of the product and to protect it from overheating, and these openings must not be blocked or covered. The openings should never be blocked by placing the product on a bed, sofa, rug, or other similar surface. This product should not be placed in a built-in installation such as a bookcase or rack unless proper ventilation is provided or the manufacturer's instruction have been adhered to.
- Power Sources** - This product should be operated only from the type of power source indicated on the marking label. If you are not sure of the type of power supply to your home, consult your product dealer or local power company. For products intended to operate from battery power, or other sources, refer to the operating instruction.
- Grounding or Polarization** - This product may be equipped with a polarized alternating-current line plug (a plug having one blade wider than the other). This plug will fit into the power outlet only one way. This is a safety feature. If you are unable to insert the plug fully into the outlet, try reversing the plug. If the plug should still fail to fit, contact your electrician to replace your

obsolete outlet. Do not defeat the safety purpose of the polarizes plug.

**Alternate Warnings** - This product is equipped with a three-wire grounding-type plug, a plug having a third (grounding) pin. This plug will only fit into a grounding-type power outlet. This is a safety feature. If you are unable to insert the plug into the outlet, contact your electrician to replace your obsolete outlet. Do not defeat the safety purpose of the grounding-type plug.

- Power-Cord Protection** - Power supply cords should be routed so that they are not likely to be walked on or pinched by items placed upon or against them, paying particular attention to cords at plugs, convenience receptacles, and point where they exit from the product.
- Protective Attachment Plug** - The product is equipped with an attachment plug having overload protection. This is a safety feature. See Instruction Manual for replacement or resetting of protective device. If replacement of the plug is required, be sure the service technician has used a replacement plug specified by the manufacturer that has the same overload protection as the original plug.
- Outdoor Antenna Grounding** - If an outside antenna is connected to the receiver, be sure the antenna system is grounded so as to provide some protection against voltage surges and built-up static charges. Article 810 of the National Electrical Code, ANSI/NFPA 70, provides information with regard to proper grounding of the mast and supporting structure, grounding of the mast and supporting structure, grounding of the lead-in wire to an antenna-discharge unit, size of grounding conductors, location of antenna-discharge unit, connection to grounding electrodes, and requirements for the grounding electrode.

See figure:



- Lightning** - For added protection for this product during a lightning storm, or when it is left unattended and unused for long periods of time, unplug it from the wall outlet and disconnect the antenna or cable system. This will prevent damage to the product due to lightning and power-line surges.
- Power Lines** - An outside antenna system should not be located in the vicinity of overhead power lines or other electric light or power circuits, or where it can fall into such power lines or circuits. When installing an outside antenna system, extreme care should be taken to keep from touching such power lines or circuits as contact with them might be fatal.
- Overloading** - Do not overload wall outlets, extension cords, or integral convenience receptacles as this can result in a risk of fire or electric shock.
- Object and Liquid Entry** - Never push objects of any kind into this product through openings as they may touch dangerous voltage points or short-out parts that could result in a fire or electric shock. Never spill liquid of any kind on the product.
- Service** - Do not attempt to service this product yourself as opening or removing covers may expose you to dangerous voltage or other hazards. Refer all servicing to qualified service

personnel.

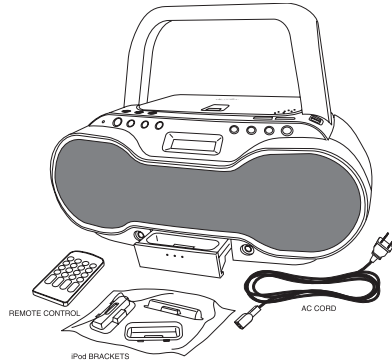
- Damage Requiring Service** - Unplug this product from the wall outlet and refer servicing to qualified service personnel under the following conditions:
  - When the power-supply cord or plug is damaged,
  - If liquid has been spilled, or objects have fallen into the product,
  - If the product has been exposed to rain, water or moisture.
  - If the product does not operate normally by following the operating instructions. Adjust only those controls that are covered by the operating instructions as an improper adjustment of other controls may result in damage and will often require extensive work by a qualified technician to restore the product to its normal operation.
  - If the product has been dropped or damaged in any way, and
  - When the product exhibits a distinct change in performance - this indicates a need for service.
- Replacement Parts** - When replacement parts are required, be sure the service technician has used replacement parts specified by the manufacturer or have the same characteristics as the original part. Unauthorized substitutions may result in fire, electric shock, or other hazards.
- Safety Check** - Upon completion of any service or repairs to this product, ask the service technician to perform safety checks to determine that the product is in proper operating condition.
- Wall or Ceiling Mounting** - The product should be mounted to a wall or ceiling only as recommended by the manufacturer.
- Heat** - The product should be situated away from heat sources such as radiators, heat registers, stoves, or other products (including amplifiers) that produce heat. Battery shall not be exposed to excessive heat such as sunshine, fire, or the like.

*Les piles ne doivent pas être exposées à de forte chaleur, tel qu'à la lumière du soleil, au feu ou autres choses de semblable.*

- Main plug** is used as disconnect device and it should remain readily operable during intended use. In order to disconnect the apparatus from the mains completely, the mains plug should be disconnected from the mains socket outlet completely.  
*La prise du secteur ne doit pas être obstruée ou doit être facilement accessible pendant son utilisation. Pour être complètement déconnecté de l'alimentation d'entrée, la prise doit être débranchée du secteur.*
- Excessive sound pressure from earphones and headphones can cause hearing loss.  
*Des pressions acoustiques excessives provenant d'écouteurs ou de casques peuvent provoquer des pertes de l'audition.*
- To prevent fire or shock hazard, do not use this plug with an extension cord, receptacle or other outlet unless the blades can be fully inserted to prevent blade exposure.
- Symbol is used to indicate that a specific component shall be replaced only by the component specified in that documentation for safety reasons.
- This symbol indicates that this product incorporates double insulation.
- Rating label and "CAUTION MARKING" are located at bottom of enclosure.

# In the Box

---



- IB319B
  - Documentation
  - Detachable AC Cord
  - Remote Control, Remote Battery included
  - Brackets for iPod Players
- 

## Features

---

### Docking Station for iPod®

- Certified iPod Connector installed for iPod docking
  - Recharge Circuit for iPod/mini/nano/photo/video
  - Includes docking brackets to fit iPod players
  - Controls connected iPod players
- 

### Top-Load CD Player

- Plays CD/CD-R Audio Tracks
  - Programmable Tracks
  - Digital Volume
  - Preset EQ
  - Repeat Play
  - Song Skip
- 

### Digital Tune AM/FM Radio

- Station Memory Presets
- 

### LCD Display with White Backlight

---

### Built-In Dual Speakers

---

### Jacks

- Line-In Jack for other Audio Players, 3.5mm-type
  - Headphone Jack
- 

### Full-Function Remote Control

---

- Controls docked iPod and Player
  - Uses Button Cell Battery (CR2025), included
- 

### AC/DC Powered

---

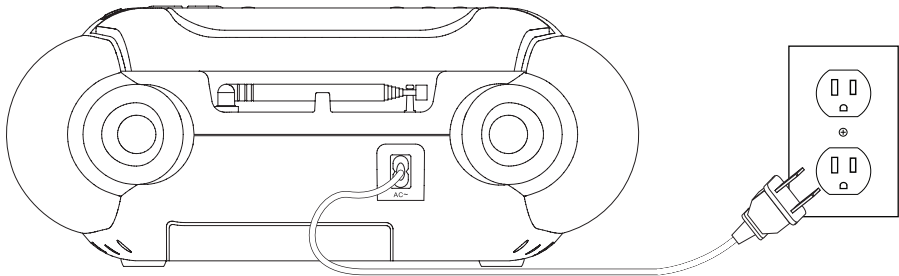
- AC: 120V Detachable AC Line Cord
  - DC: Uses 8-”C” size Batteries, (not included)
-

## Powering the Unit

---

To power the unit, plug the included AC cord into a standard AC outlet (120V~60Hz)

---



The unit can also be powered by inserting 8 C batteries into the battery compartment.

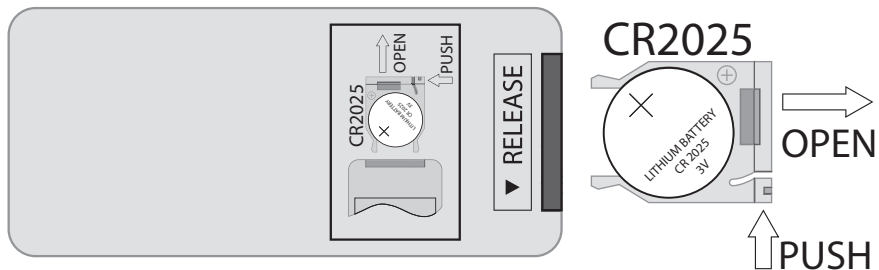
---

## Changing the Remote Battery

---

To change the remote battery, remove the battery compartment, and replace the battery with a CR2025 type battery.

---



## Docking an iPod

---

**Step 1:** Press the **Open/Close Button** to reveal the dock for iPod.

---

**Step 2:** Locate the numbered *Bracket* that fits the iPod that will be docked.

---

- *Each included Bracket has a number on it, indicating which iPod model that bracket is compatible with. See the separate bracket chart page to identify which bracket is needed.*
- 

**Step 3:** Snap the *Bracket* into place over the iPod connector in the dock.

---

**Step 4:** Connect the iPod to the iPod connector inside the dock.

---

- *When the unit is plugged in, using AC power, the docked iPod will charge. If the unit is running on batteries, DC power, the docked iPod will not charge.*
- 

## Playing an iPod

---

**Step 1:** Press the **Power Button** to turn the unit on.

---

**Step 2:** Adjust the **iPod Button** to switch to *iPod Mode*.

---

**Step 3:** Dock an iPod into the unit.

---

**Step 4:** Press the **Play/Pause Button** to begin playing a docked iPod.

---

## Playing a CD

---

**Step 1:** Press the **Power Button** to turn the unit on.

---

**Step 2:** Press the **Source Button** to switch the unit to *CD Mode*.

---

**Step 3:** Press the **Open/Close Button** to open the CD door.

---

**Step 4:** Insert a CD into the unit.

---

**Step 5:** Press the **Source Button** to switch to *CD Mode*.

---

**Step 6:** Press the **Play/Pause Button** to begin playing the loaded CD.

---

## Tuning the AM/FM Radio

---

- Step 1:** Press the **Power Button** to turn the unit on.
- Step 2:** Press the **Source Button** to switch the unit to *Radio Mode*.
- Step 3:** Press the **Stop/AM/FM Button** to switch between AM and FM radio modes.
- Step 4:** Press the **Skip/Search/Tune Buttons** to tune the AM or FM radio.
- 

## Saving a Radio Station to the Unit's Memory

---

- Step 1:** Press the **Power Button** to turn the unit on.
- Step 2:** Press the **Source Button** to switch the unit to *Radio Mode*.
- Step 3:** Tune the radio to the desired station.
- Step 4:** Press and hold the **Memory Button** for 3 seconds.
- Step 5:** Press the **Skip/Search/Tune Buttons** to select the preset number.
- Step 6:** After the desired preset number is selected, press the **Memory Button** to save the current station to the selected preset number.
- Step 7:** Press the **Mem + Button** or **Repeat/Mem- Button** in *Radio Mode* to cycle through radio stations that have been saved to the unit's memory.
- 

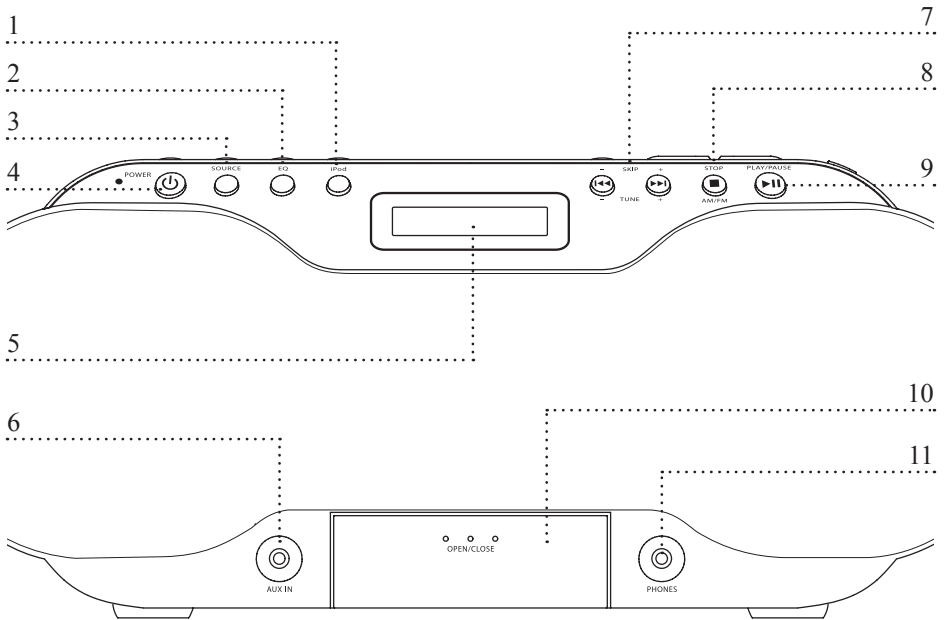
## Using the Auxiliary Input

---

- Step 1:** Connect a mini-phono 3.5mm cable (not included) to the **Auxiliary Input** on the unit and the audio output on an MP3 player.
- Step 2:** Turn the unit on by pressing the **Power Button**.
- Step 3:** Press the **Source Button** to switch the unit to *Aux Mode*.
- Step 4:** Audio played through the connected MP3 player will now be heard through the unit.
-

# Locations of Controls

---





# Control Definitions

---

## 1. iPod Button

Press the iPod Button to switch the unit to *iPod Mode*.

---

## 2. EQ Button

Press the EQ Button to switch the equalizer mode to *Rock, Classic, Jazz, or Pop*.

---

## 3. Source Button

Press the Source Button to switch the unit to *Radio, CD, or Auxiliary Mode*.

---

## 4. Power Button

Press the Power Button to turn the unit off and on.

---

## 5. LCD Display

The LCD Display displays mode, radio, and cd information.

---

## 6. Auxiliary Input

Use the Auxiliary Input to connect an external audio source to the unit.

---

## 7. Skip/Search/Tune Buttons

Press the Skip/Search/Tune Buttons to skip from one song to the next in *iPod Mode* or *CD Mode*.

---

Press and hold the Skip/Search/Tune Buttons to search through an individual song in *iPod Mode* or *CD Mode*.

---

Press the Skip/Search/Tune Buttons to adjust the AM or FM station in *Radio Mode*.

---

## 8. Stop/AM/FM Button

Press the Stop/AM/FM Button to stop an iPod or CD during play.

---

Press the Stop/AM/FM Button to switch between AM and FM radio modes.

---

## 9. Play/Pause Button

Press the Play/Pause Button to play or pause music from an iPod or CD.

---

## 10. Open/Close Button

Use the Open/Close Button to reveal or hide the dock for iPod.

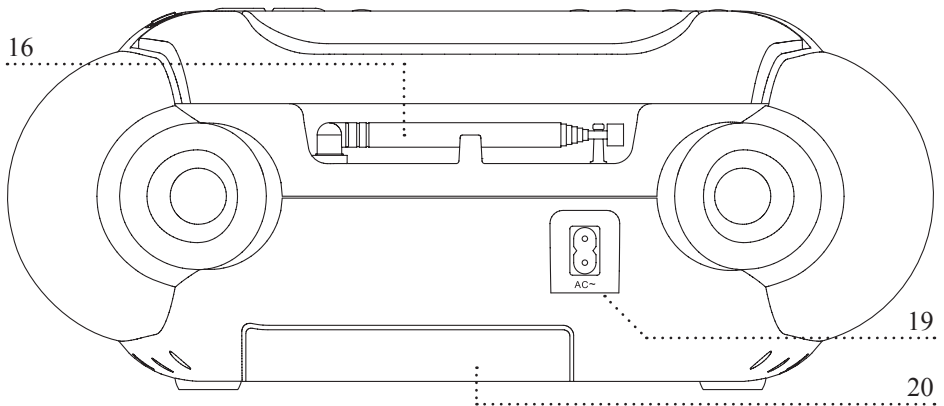
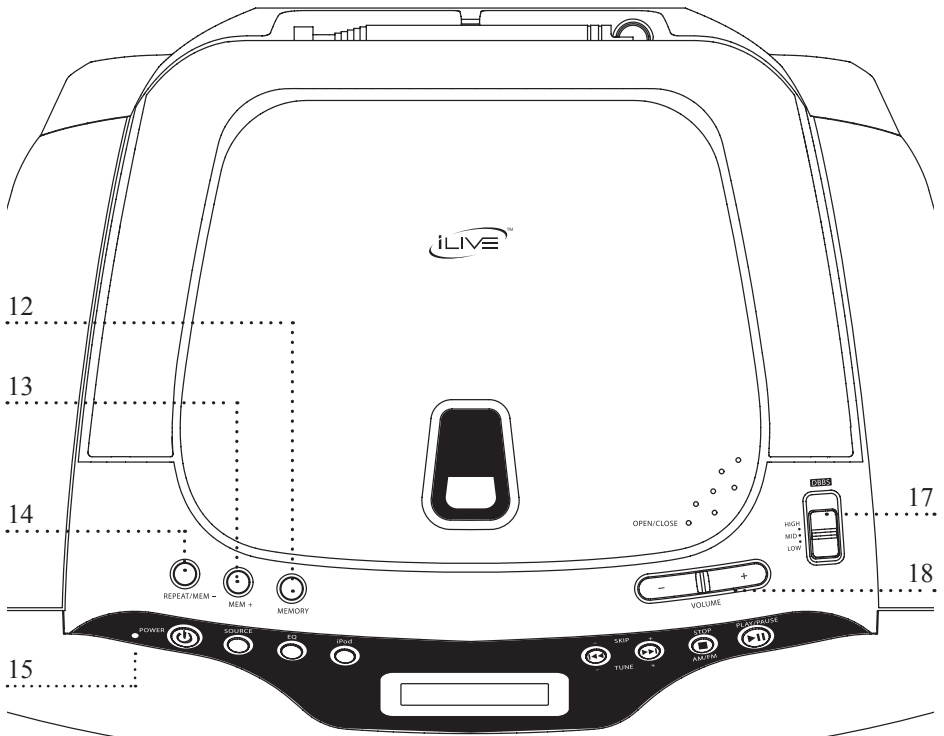
---

## 11. Headphone Jack

Use the Headphone Jack to connect a set of headphones or earbuds to the unit.

---

# Locations of Controls



# Control Definitions

---

## 12. **Memory Button**

Press the Memory Button to save the current radio station to the unit's memory.

---

## 13. **Mem + Button**

Press the Mem+ Button in *Radio Mode* to cycle through radio stations that have been saved to the unit's memory.

---

## 14. **Repeat/Mem- Button**

Press the Repeat/Mem- Button in *iPod Mode* or *CD Mode* once to repeat the current song, and twice to repeat an entire playlist or album.

---

Press the Repeat/Mem- Button in *Radio Mode* to cycle through radio stations that have been saved to the unit's memory.

---

## 15. **Power Indicator**

The Power Indicator illuminates when the unit is powered on.

---

## 16. **FM Telescopic Antenna**

Use the FM Telescopic Antenna to improve the reception of the FM radio.

---

*Note: An AM Antenna is built into the unit. To improve AM reception, adjust the position of the unit.*

---

## 17. **DBBS Switch**

Adjust the DBBS Switch to change the levels of the Dynamic Bass Boost System.

---

## 18. **Volume Buttons**

Press the Volume Buttons to adjust the levels of audio output from the unit.

---

## 19. **AC Power Input**

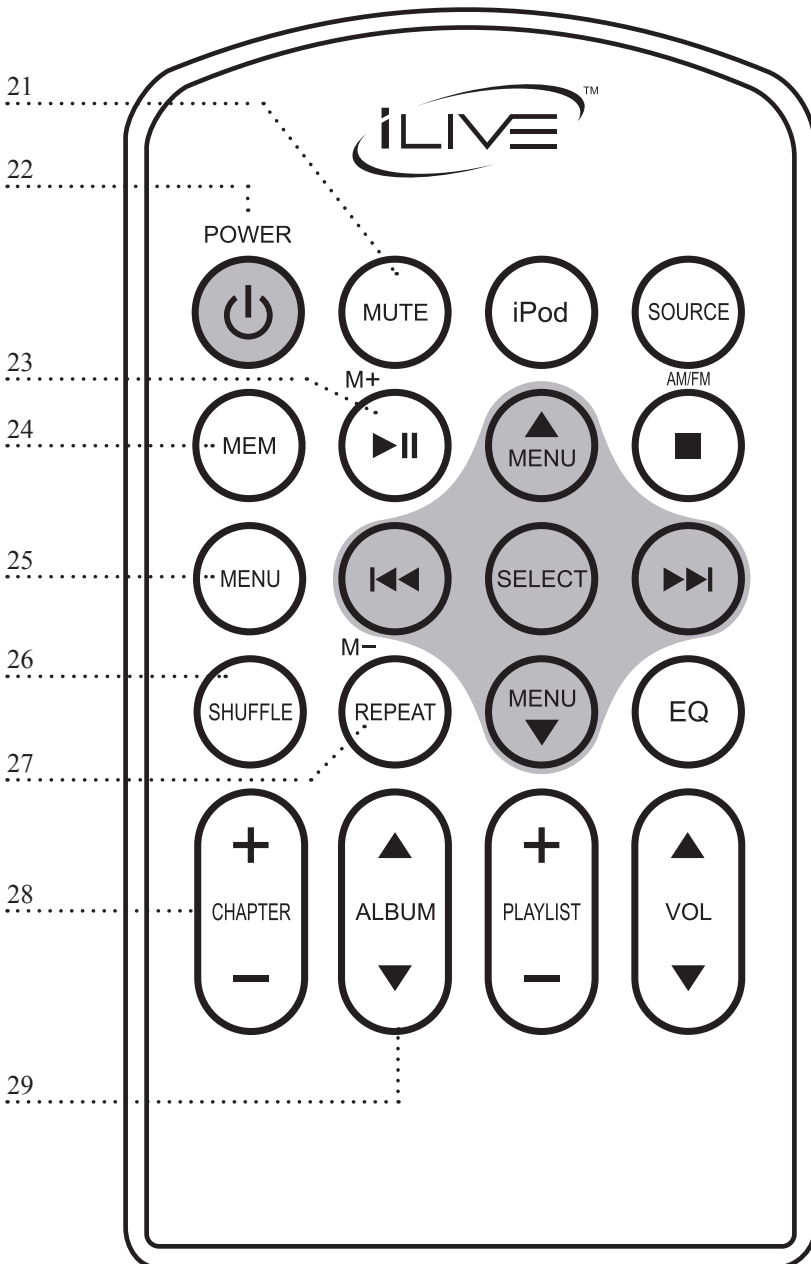
Use the AC Power Input to connect the unit to a power source.

---

## 20. **Battery Compartment (Requires 8 C Batteries, not included)**

---

# Locations of Controls



# Control Definitions

---

## 21. Mute Button

Press the Mute Button to entirely reduce the volume of the unit.

---

## 22. Power Button

Press the Power Button to turn the unit off and on.

---

## 23. Play/Pause Button

Press the Play/Pause Button to play or pause music from an iPod or CD.

---

## 24. Memory Button

Press the Memory Button to save the current radio station to the unit's memory.

---

## 25. Menu Button

Press the Menu Button in *iPod Mode* to cycle back through menus on a docked iPod.

---

## 26. Shuffle Button

Press the Shuffle Button in *CD Mode* or *iPod Mode* to play songs from that source in a random order.

---

## 27. Repeat Button

Press the Repeat Button in *iPod Mode* or *CD Mode* once to repeat the current song, and twice to repeat an entire playlist or album.

---

## 28. Chapter Buttons

Press the Chapter Buttons to cycle through chapters on a docked iPod.

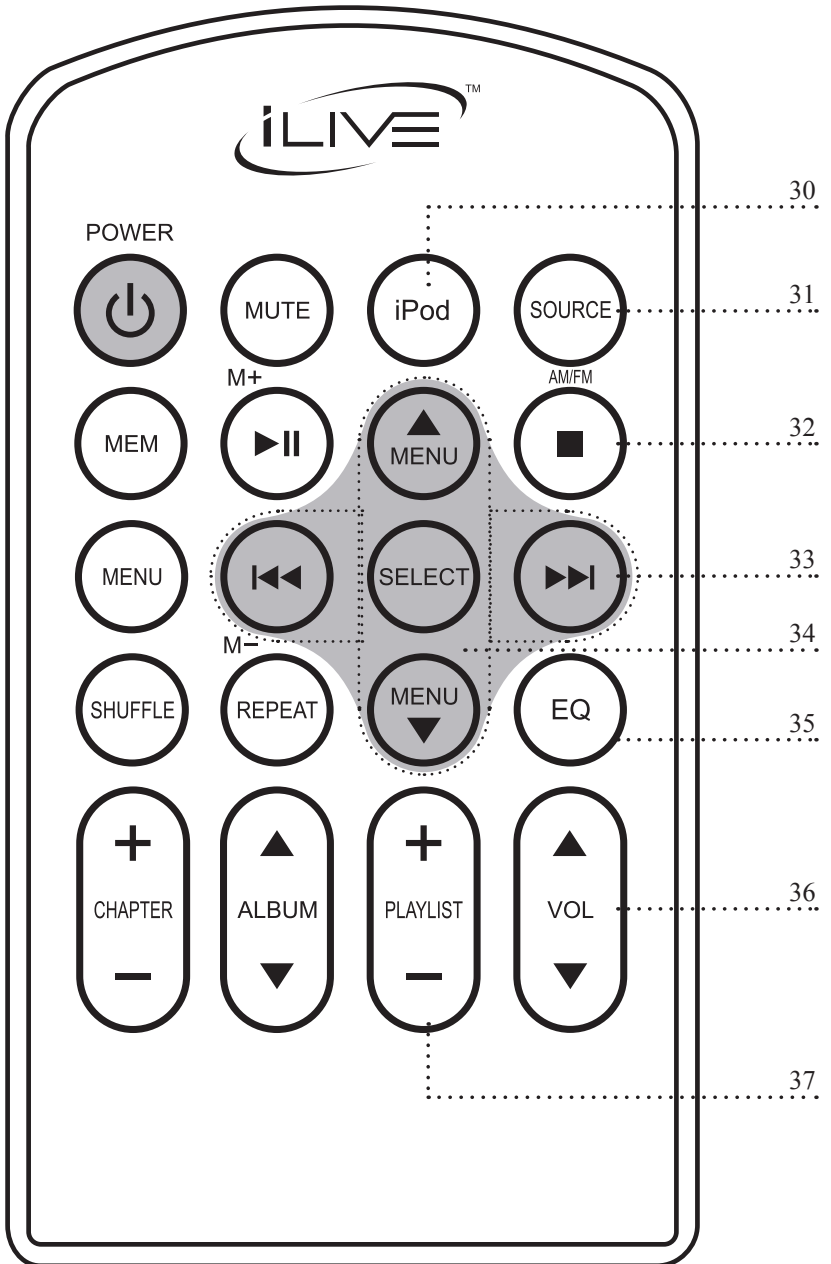
---

## 29. Album Buttons

Press the Album Buttons to cycle through albums on a docked iPod.

---

# Locations of Controls



# Control Definitions

---

## **30. iPod Button**

Press the iPod Button to switch the unit to *iPod Mode*.

---

## **31. Source Button**

Press the Source Button to switch the unit to *Radio*, *CD*, or *Auxiliary Mode*.

---

## **32. Stop/AM/FM Button**

Press the Stop/AM/FM Button to stop an iPod or CD during play.

Press the Stop/AM/FM Button to switch between AM and FM radio modes.

---

## **33. Skip/Search Buttons**

Press the Skip/Search/Tune Buttons to skip from one song to the next in *iPod Mode* or *CD Mode*.

---

Press and hold the Skip/Search/Tune Buttons to search through an individual song in *iPod Mode* or *CD Mode*.

---

## **34. Select/Menu Navigation Buttons**

Press the Select/Menu Navigation Buttons to make selections

---

## **35. EQ Button**

Press the EQ Button to switch the equalizer mode to *Rock*, *Classic*, *Jazz*, or *Pop*.

---

## **36. Volume Buttons**

Press the Volume Buttons to adjust the levels of audio output from the unit.

---

## **37. Playlist Buttons**

Press the Playlist Buttons to cycle through playlists on a docked iPod.

---



## Parts Information

---

**Address:** 2116 Carr Street, St. Louis MO, 63106  
**Phone:** 1-314-621-2881  
**Fax:** 1-314-588-1805  
**Email:** [partsinfo@dpi-global.com](mailto:partsinfo@dpi-global.com)

## Service Information

---

**Address:** 2116 Carr Street, St. Louis MO, 63106  
**Phone:** 1-314-621-2881  
**Fax:** 1-314-588-1805  
**Email:** [customerservice@ilive.net](mailto:customerservice@ilive.net)  
**Website:** [www.ilive.net](http://www.ilive.net)  
**Version:** v. 112008

To download this Instruction Manual in English, Spanish, or French visit the Support section at [www.ilive.net](http://www.ilive.net).

Para descargar este manual de instrucción en inglés, español, o francés visite la sección de la ayuda en [www.ilive.net](http://www.ilive.net).

Pour télécharger ce manuel d'instruction en anglais, espagnol, ou le Français visitez la section de soutien à [www.ilive.net](http://www.ilive.net).



## Free Manuals Download Website

<http://myh66.com>

<http://usermanuals.us>

<http://www.somanuals.com>

<http://www.4manuals.cc>

<http://www.manual-lib.com>

<http://www.404manual.com>

<http://www.luxmanual.com>

<http://aubethermostatmanual.com>

Golf course search by state

<http://golfingnear.com>

Email search by domain

<http://emailbydomain.com>

Auto manuals search

<http://auto.somanuals.com>

TV manuals search

<http://tv.somanuals.com>