



IC308B INSTRUCTION MANUAL

Contents

Warnings and Precautions	2
Important Safety Instructions.....	3
In the Box & Features.....	4
Powering the Unit	5
Setting the Clock	6
Setting the Alarms & Connecting to an Audio Player using the Aux Input.....	7
Listening to the Radio & Saving a Station to the Units Memory	8
Docking an iPod & Playing an iPod.....	9
Location of Controls & Control Definitions.....	10
Service Information.....	12

Warnings and Precautions

TO PREVENT FIRE OR SHOCK HAZARDS, DO NOT EXPOSE THIS UNIT TO RAIN OR MOISTURE.



This symbol, located on back or bottom of the unit, is intended to alert the user to the presence of uninsulated “dangerous voltage” within the product’s enclosure that may be of sufficient magnitude to constitute a risk of electric shock to persons.



This symbol, located on back or bottom of the unit, is intended to alert the user to the presence of important operating and maintenance (servicing) instructions in the literature accompanying the appliance.

CAUTION: TO PREVENT ELECTRIC SHOCK, MATCH WIDE BLADE OF PLUG TO WIDE SLOT, FULLY INSERT.

To reduce the risk of electric shock, do not remove cover (or back). There are no user-serviceable parts inside. Please refer any servicing to qualified service personnel.

WARNING: Changes or modifications to this unit not expressly approved by the party responsible for compliance could void the user’s authority to operate the equipment.

NOTE: This equipment has been tested and found to comply with the limits for a Class B digital device, pursuant to Part 15 of the FCC Rules. These limits are designed to provide reasonable protection against harmful interference in a residential installation. This equipment generates, uses, and can radiate radio frequency energy and, if not installed and used in accordance with the instructions, may cause harmful interference to radio communications. However, there is no guarantee that interference will not occur in a particular installation. If this equipment does cause harmful interference to radio or television reception, which can be determined by turning the equipment off and on, the user is encouraged to try to correct the interference by one or more of the following measures:

- Reorient or relocate the receiving antenna.
- Increase the separation between the equipment and receiver.
- Connect the equipment into an outlet on a circuit different from that to which the receiver is connected.
- Consult the dealer or an experienced radio/TV technician for help.

Important Safety Instructions

1. Read these Instructions.
2. Keep these Instructions.
3. Heed all Warnings.
4. Follow all instructions.
5. Do not use this apparatus near water.
6. Clean only with a dry cloth.
7. Do not block any of the ventilation openings. Install in accordance with the manufacturers instructions.
8. Do not install near any heat sources such as radiators, heat registers, stoves, or other apparatus (including amplifiers) that produce heat.
9. Do not defeat the safety purpose of the polarized or grounding - type plug. A polarized plug has two blades with one wider than the other. A grounding type plug has two blades and a third grounding prong. The wide blade or the third prong are provided for your safety. When the provided plug does not fit into your outlet, consult an electrician for replacement of the obsolete outlet.
10. Protect the power cord from being walked on or pinched particularly at plugs, convenience receptacles, and the point where they exit from the apparatus.
11. Only use attachments/accessories specified by the manufacturer.
12. Use only with a cart, stand, tripod, bracket, or table specified by the manufacturer, or sold with the apparatus. When a cart is used, use caution when moving the cart/apparatus combination to avoid injury from tip-over.
13. Unplug this apparatus during lightning storms or when unused for long periods of time.
14. Refer all servicing to qualified service personnel. Servicing is required when the apparatus has been damaged in any way, such as power-supply cord or plug is damaged, liquid has been spilled or objects have fallen into the apparatus, the apparatus has been exposed to rain or moisture, does not operate normally, or has been dropped.

Portable Cart Warning



*The apparatus should not be exposed to dripping or splashing and that no objects filled with liquids, such as vases, shall be placed on apparatus.

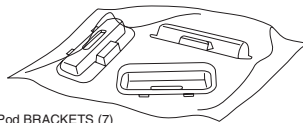
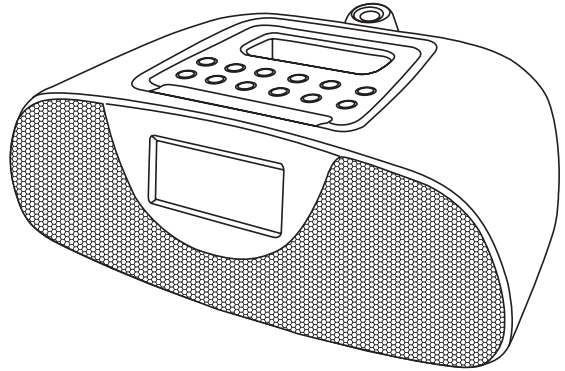
*Main plug is used as disconnect device and it should remain readily operable during intended use. In order to disconnect the apparatus from the mains completely, the mains plug should be disconnected from the mains socket outlet completely.

*Excessive sound pressure from earphones or headphone can cause hearing loss.

*The rating plate and Caution marking are located at the bottom enclosure

In the Box

IC308B Brackets for iPod Documentation



iPod BRACKETS (7)

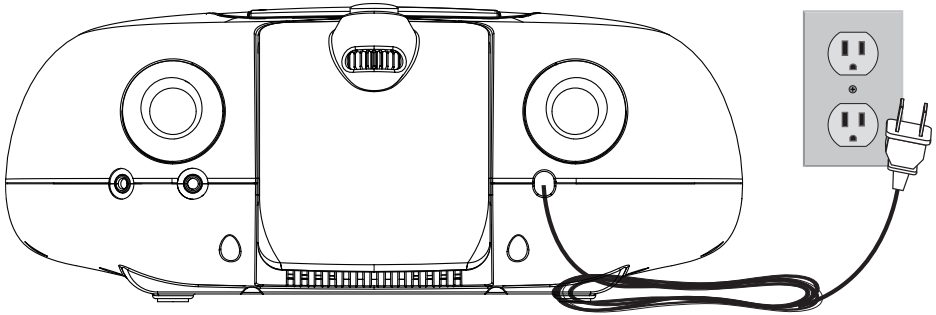
Features

Digital Tune AM/FM Radio
Station Memory Presets
Digital Volume
Certified iPod Connector installed for iPod docking
Recharge Circuit for iPod/mini/nano/photo/video
Includes Brackets to fit iPod players
Controls connected iPod players
Headphone Jack
Line-in jack for other Audio Player, 3.5mm type
Digital Clock
Dual Alarm
Gradual Wake
Wake to iPod, Radio, Buzzer, White Noise or Nature Sounds

Snooze Function
Sleep Function
Wake to tunes from your iPod
White Noise Sound
4 Nature Sounds: Bird Singing, River, Ocean & Summer Night
LCD & Projection Display
Blue Backlit 0.8" Segment LCD Display
Display Dimmer Control
Red Projection Display
Display Time on Ceiling, Wall, etc with the Projection feature
Reversible Projection Display Orientation
Projection Display has 90° adjustment range
Built-In Speakers
AC: 110V AC Line Cord built in

Powering the Unit

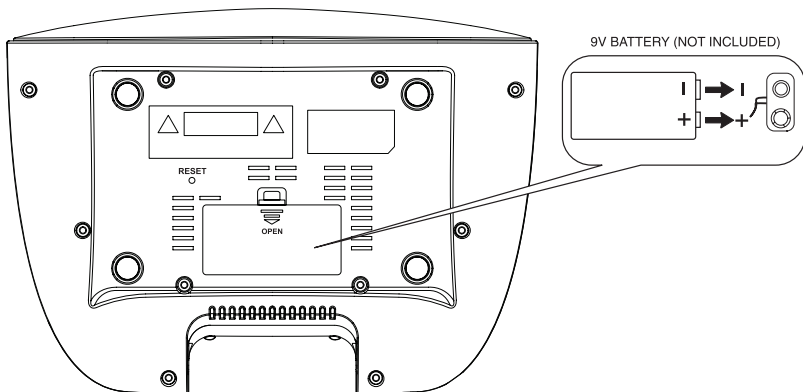
Power the unit by connecting it to a standard AC outlet (120V ~ 60Hz) via the attached AC cord.



Battery Information

Battery power for Back-up only. Battery back-up will save the clock times in case of a power outage.

The unit must be unplugged when installing the back-up battery. If you experience problems while installing the back-up battery, press the **Reset Button**, using a paperclip or like object, to reset the unit.



Setting the Clock

1. Press the **Standby/AL Off Button** to turn the unit off.
 2. Press and hold the **Clock Adj/Sleep Button** until the hour begins to flash on the LCD Display.
 3. Press the **Skip/Search Buttons** to adjust the hour.
 4. Press the **Clock Adj/Sleep Button** to set the hour, and the minute will begin to flash on the LCD Display.
 5. Press the **Skip/Search Buttons** to adjust the minute.
 6. Press the **Clock Adj/Sleep Button** to set the minute.
-

Using the Projection Display

1. Press the **Standby/AL Off Button** to turn the unit on.
 2. Press and hold the **Dimmer/Projector Button** to activate the **Projection Display**.
 3. Turn the **Focus Dial** to focus the light coming from the **Projection Display**.
-

The unit will need to be relatively close to a wall or surface for the projected time to be readable.

Setting the Alarms

1. Press the **Standby/AL Off Button** to turn the unit off.
2. Press and hold the **Mem Set/AL 1** or **Mem Up/AL 2 Button** until the alarm 1 or alarm 2 hour begins to flash on the LCD Display.
3. Press the **Skip/Search Buttons** to adjust the hour.
4. Press the **Mem Set/AL 1** or **Mem Up/AL 2 Button** to set the hour, and the minute will begin to flash on the LCD Display.
5. Press the **Skip/Search Buttons** to adjust the minute.
6. Press the **Mem Set/AL 1** or **Mem Up/AL 2 Button** to set the minute.
7. Press the **Mem Set/AL 1** or **Mem Up/AL 2 Button** consecutively to cycle through the wake options for alarm 1 or alarm 2.

The unit can be set to wake to a buzzer, the radio, a docked iPod, or 1 of 5 nature sounds.

8. When the alarm is set to sound to nature sounds, indicated by “NS” on the LCD Display, press the **Nature Sounds/Play/Pause Button** to cycle through the 5 nature sounds.

Connecting to an Audio Player using the Aux Input

When connecting two products using an RCA Cable, match the colored ports with the same colored connection. (Red to Red, White to White, and Yellow to Yellow)

1. Plug one end of a 3.5 mm Cable (not included) or a 3.5 mm - RCA Cable (not included) into the **AUX (Auxiliary) Input** on the unit.
2. Plug the other end of the 3.5 mm Cable into the audio output/headphone output on an Mp3 Player or Other Audio Source.
3. Press the **Standby/AL Off Button** to turn the unit on.
4. Press the **Function Button** to switch the unit to Aux mode.
5. Audio played from the Mp3 Player or Other Audio Source will now be heard on the unit.

If connecting to the headphone output of an audio source, the source's volume controls may need to be adjusted for optimal sound.

Listening to the Radio

1. Press the **Standby/AL Off Button** to turn the unit on.
 2. Press the **Function Button** to switch the unit to radio mode.
 3. Press the **Stop/Band Button** to switch between AM and FM radio.
 4. Press the **Skip/Search/Tune Buttons** to tune the radio.
-

Saving a Station to the Units Memory

1. After tuning the radio to the desired station, press the **AL 1/Mem Set Button**.
The radio station will save to the next available memory slot.
 2. Press the **AL 2/Mem Up Button** to select a memory slot to save.
 3. Press the **AL 1/Mem Set button** to save .
-

Listening to a saved station

1. Press the **AL 2/Mem Up Button** to cycle through the saved radio station.
-

Docking an iPod

1. Locate the numbered *Bracket* that fits the iPod that will be docked.

Each included Bracket has a number on it, indicating which iPod model that bracket is compatible with. See the separate bracket chart page to identify which bracket is needed.

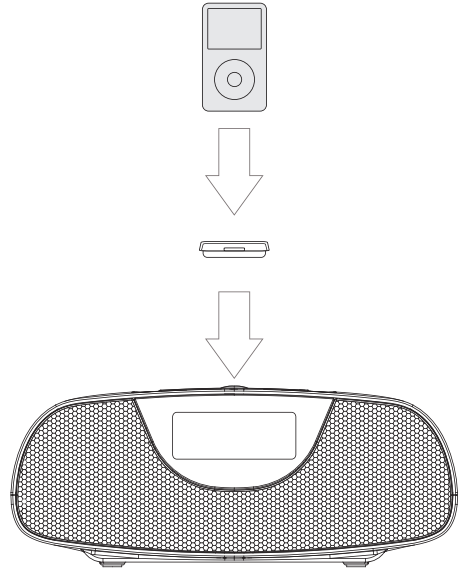
2. Snap the *Bracket* into place over the iPod connector in the **Docking Station**.

All Brackets will only fit one way onto the Dock.

When inserting an iPod nano (first or second generation), slide the Dock connection on the unit so that it matches the opening on the iPod nano (first or second generation).

3. Connect the iPod to the iPod connector inside the **Docking Station**.

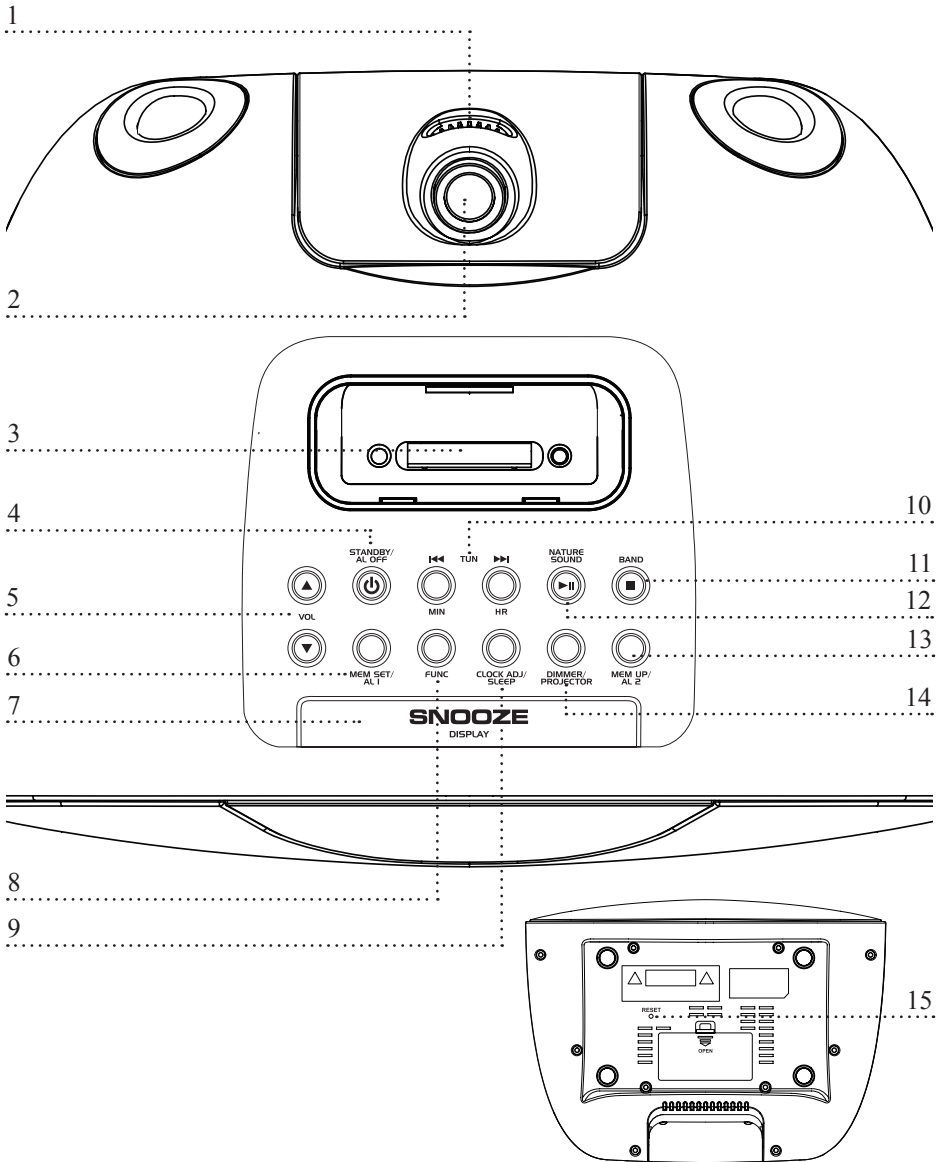
Once an iPod is connected to the **Docking Station**, the unit will play and charge the docked iPod.



Playing an iPod

1. Dock an iPod onto the unit.
 2. Press the **Standby/All Off Button** to turn the unit on.
 3. Press the **Function Button** to switch the unit to iPod mode.
 4. Press the **Play/Pause/Nature Sounds Button** to play and pause the docked iPod.
-

Location of Controls



Control Definitions

1 Focus Dial

Turn the Focus Dial to focus the light from the Projection Display.

Control Definitions

2 Projection Display

The Projection Display projects the time onto wall.

3 Dock for iPod

Use the Dock for iPod to dock an iPod onto the unit.

4 Standby/AL Off Button

Press the Standby/AL Off Button to turn the unit off and on.

Press the Standby/AL Off Button after an alarm sounds to turn the alarm off.

5 Volume Buttons

Press the Volume Buttons to adjust the volume of the unit.

6 Mem Set/AL 1

Press the Mem Set/AL 1 Button to save a radio station to the unit's memory.

Press the Mem Set/AL 1 Button to set alarm 1.

7 Snooze/Display

Press the Snooze/Display Button after the alarm sounds to delay the alarm for an additional 9 minutes.

Press the Display Button to toggle between the radio frequency view and the clock view.

8 Function Button

Press the Function Button to switch between iPod, Radio, Aux and NS mode.

9 Clock Adj/Sleep Button

Press the Clock Adj/Sleep Button to set the clock.

Press the Clock Adj/Sleep Button to set the sleep timer between 10-90 minutes in 10 minute increments.

10 Tune/Skip/Search Buttons

Press the Tune/Skip/Search Buttons to tune the radio.

Press the Tune/Skip/Search Buttons to skip between tracks on a docked iPod.

Press and hold the Tune/Skip/Search Buttons to search through an individual track on a docked iPod.

11 Stop/Band Button

Press the Stop/Band Button to stop an iPod during play.

Press the Stop/Band Button to switch between AM and FM in radio mode.

12 Play/Pause/Nature Sounds Button

Press the Play/Pause/Nature Sounds Button to play or pause a docked iPod.

Press the Play/Pause/Nature Sounds Button to cycle through the nature sounds.

13 Mem Up/AL 2 Button

Press the Mem Up/AL 2 Button to cycle up through the saved radio stations.

Press the Mem Up/AL 2 Button to set alarm 2.

14 Dimmer/Projecter Button

Press the Dimmer/Projecter Button to dim the LCD Display.

Press and hold the Dimmer/Projecter Button to activate the Projection Display.

15 Reset

Press the RESET button to reset the unit to its default factory settings.



Service Information

Address 2116 Carr Street, St. Louis MO, 63106

Phone 1-314-621-2881

Fax 1-314-588-1805

Email customerservice@ilive.net

Website www.ilive.net

To download this Instruction Manual in English, Spanish, or French visit the Support section at www.ilive.net.

Para descargar este manual de instrucción en inglés, español, o francés visite la sección de la ayuda en www.ilive.net.

Pour télécharger ce manuel d'instruction en anglais, espagnol, ou le Français visitez la section de soutien à www.ilive.net.

Free Manuals Download Website

<http://myh66.com>

<http://usermanuals.us>

<http://www.somanuals.com>

<http://www.4manuals.cc>

<http://www.manual-lib.com>

<http://www.404manual.com>

<http://www.luxmanual.com>

<http://aubethermostatmanual.com>

Golf course search by state

<http://golfingnear.com>

Email search by domain

<http://emailbydomain.com>

Auto manuals search

<http://auto.somanuals.com>

TV manuals search

<http://tv.somanuals.com>