



USER'S GUIDE

V:1247-0119-10



IC600B

Intelli Set™ Clock Radio with Dock for iPod

For the most up-to-date version of this User's Guide, go to www.ilive.net

WARNINGS AND PRECAUTIONS

- **CAUTION:** TO PREVENT ELECTRIC SHOCK, MATCH WIDE BLADE OF PLUG TO WIDE SLOT, FULLY INSERT.
- **WARNING:** To reduce the risk of fire or electric shock, do not expose this apparatus to rain or moisture.
- **AVERTISSEMENT:** Pour réduire le risque d'incendie ou de choc électrique, ne pas exposer cet appareil sous la pluie et l'humidité.
- **CAUTION:** Use of controls or adjustments or performance of procedures other than those specified may result in hazardous radiation exposure.
- **WARNING:** Changes or modifications to this unit not expressly approved by the party responsible for compliance could void the user's authority to operate the equipment.
- **WARNING:** Do not place the unit on top of any soft, porous, or sensitive surfaces to avoid damaging the surface. Use a protective barrier between the unit and surface to protect the surface.
- **WARNING:** Use of this unit near fluorescent lighting may cause interference regarding use of the remote. If the unit is displaying erratic behavior move away from any fluorescent lighting, as it may be the cause.
- **CAUTION:** Danger of explosion if battery is incorrectly replaced. Replace only with the same or equivalent type.
- **PRÉCAUTION:** *Danger d'explosion si les piles sont remplacées de façon incorrecte. Remplacer les piles seulement par le même type de pile ou l'équivalent.*
- **WARNING:** There is a danger of explosion if you attempt to charge standard Alkaline batteries in the unit. Only use rechargeable NiMH batteries.
- **WARNING:** The remote control's button cell battery contains mercury. Do not put in the trash, instead recycle or dispose of as hazardous waste.
- **WARNING:** Lithium batteries, like all rechargeable batteries are recyclable and should be recycled or disposed of in normal household waste. Contact your local government for disposal or recycling practices in your area. They should never be incinerated since they might explode.

Main plug is used as disconnect device and it should remain readily operable during intended use.

Do not mix old and new batteries.

Do not mix alkaline, standard (carbon-zinc), or rechargeable (ni-cad, ni-mh, etc) batteries.

No mezcle baterias viejas y nuevas.

No mezcle baterias alcalinas, estándar (carbone-zinc) o recargables (ni-cad, ni-mh, etc.).

CAUTION
RISK OF ELECTRIC SHOCK
DO NOT OPEN

WARNING: TO REDUCE THE RISK OF ELECTRIC SHOCK, DO NOT REMOVE COVER (OR BACK). NO USER-SERVICEABLE PARTS INSIDE. REFER SERVICING TO QUALIFIED SERVICE PERSONNEL.



The lightning flash with arrowhead symbol, within an equilateral triangle, is intended to alert the user to the presence of uninsulated "dangerous voltage" within the product's enclosure that may be of sufficient magnitude to constitute a risk of electric shock to persons.



The exclamation point within an equilateral triangle is intended to alert the user to the presence of important operating and maintenance (servicing) instructions in the literature accompanying the appliance.



This product utilizes a Class 1 laser to read Compact Discs. This Laser Compact Disc Player is equipped with safety switches to avoid exposure when the CD door is open and the safety interlocks are defeated. Invisible laser radiation is present when the CD Player's lid is open and the system's interlock has failed or been defeated. It is very important that you avoid direct exposure to the laser beam at all times. Please do not attempt to defeat or bypass the safety switches.

IMPORTANT SAFETY INSTRUCTIONS

1. Read these Instructions.
2. Keep these Instructions.
3. Heed all Warnings.
4. Follow all instructions.
5. Do not use this apparatus near water.
6. Clean only with a dry cloth.
7. Do not block any ventilation openings. Install in accordance with the manufacturer's instructions.
8. Do not install near any heat sources such as radiators, heat registers, stoves, or other apparatus (including amplifiers) that produce heat.
9. Do not defeat the safety purpose of the polarized or grounding - type plug. A polarized plug has two blades with one wider than the other. A grounding type plug has two blades and a third grounding prong. The wide blade or the third prong are provided for your safety. When the provided plug does not fit into your outlet, consult an electrician for replacement of the obsolete outlet.
10. Protect the power cord from being walked on or pinched particularly at plugs, convenience receptacles, and the point where they exit from the apparatus.
11. Only use attachments/accessories specified by the manufacturer.
12. Use only with a cart, stand, tripod, bracket, or table specified by the manufacturer, or sold with the apparatus. When a cart is used, use caution when moving the cart/apparatus combination to avoid injury from tip-over.
13. Unplug this apparatus during lightning storms or when unused for long periods of time.
14. Refer all servicing to qualified service personnel. Servicing is required when the apparatus has been damaged in any way, such as power-supply cord or plug is damaged, liquid has been spilled or objects have fallen into the apparatus, the apparatus has been exposed to rain or moisture, does not operate normally, or has been dropped.



FCC Warnings

NOTE: This equipment has been tested and found to comply with the limits for a Class B digital device, pursuant to Part 15 of the FCC Rules. These limits are designed to provide reasonable protection against harmful interference in a residential installation. This equipment generates, uses, and can radiate radio frequency energy and, if not installed and used in accordance with the instructions, may cause harmful interference to radio communications. However, there is no guarantee that interference will not occur in a particular installation. If this equipment does cause harmful interference to radio or television reception, which can be determined by turning the equipment off and on, the user is encouraged to try to correct the interference by one or more of the following measures:

- Reorient or relocate the receiving antenna.
- Increase the separation between the equipment and receiver.
- Connect the equipment into an outlet on a circuit different from that to which the receiver is connected.
- Consult the dealer or an experienced radio/TV technician for help.

Additional Warnings

- The apparatus shall not be exposed to dripping or splashing and that no objects filled with liquids, such as vases, shall be placed on apparatus.
L'appareil ne doit pas être exposé aux écoulements ou aux éclaboussures et aucun objet ne contenant de liquide, tel qu'un vase, ne doit être placé sur l'objet.
- Main plug is used as disconnect device and it should remain readily operable during intended use. In order to disconnect the apparatus from the mains completely, the mains plug should be disconnected from the mains socket outlet completely.
La prise du secteur ne doit pas être obstruée ou doit être facilement accessible pendant son utilisation. Pour être complètement déconnecté de l'alimentation d'entrée, la prise doit être débranchée du secteur.
- Battery shall not be exposed to excessive heat such as sunshine, fire or the like.
Les piles ne doivent pas être exposées à de forte chaleur, tel qu'à la lumière du soleil, au feu ou autres choses de semblable.
- Caution marking is located at the rear of the apparatus.
Les marquages sont inscrits de derrière de l'appareil.
- The marking information is located at the bottom of apparatus.
Les précautions d'emploi sont inscrites en bas de l'appareil.

DUAL ALARM CLOCK RADIO WITH DOCK FOR IPOD

Features

- Dock plays and charges iPod
- Intelli Set™ auto clock set
- AM/FM radio with digital tuning
- Auxiliary input for iPod shuffle and other audio devices
- Dual alarm with gradual wake
- Station memory presets (20AM, 20FM)
- Preset EQ settings
- Last station memory
- Volume & function last user setting
- Digital clock
- Wake to iPod, radio, or buzzer
- Snooze function
- Sleep function
- Battery backup
- Time zone button
- Daylight savings time switch
- 0.8" LCD display with white backlight
- Display dimmer control

Included

- IC600B
- Docking Brackets for iPod

TABLE OF CONTENTS

INTRODUCTION	6
SETUP	8
CLOCK	9
ALARM	11
IPOD	12
RADIO	13
AUX INPUT	14
COMPANY INFORMATION	16

INTRODUCTION

SNOOZE

Press to delay the alarm for an additional 9 minutes, or to set the sleep timer.

CLK ADJ / SOURCE

Press to set the clock or to adjust the source.

VOLUME

AL OFF/POWER

Press to cancel the alarm until the set alarm time is reached, or to power the clock radio off and on.

PRESET (±) / AL1 / AL2

Press to cycle through saved radio stations, or to set alarm 1 or 2.

EQ / DISP

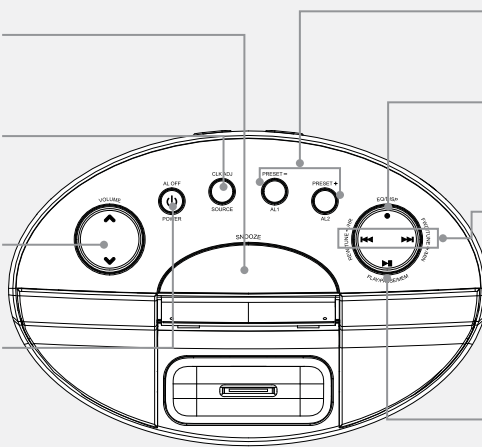
Press to adjust the equalizer or press and hold view the clock when in radio mode.

REW / FWD / TUNE / HR / MIN

Press to skip or search through tracks on a docked iPod, tune the radio, or adjust the hour and minute when setting the clock or alarm.

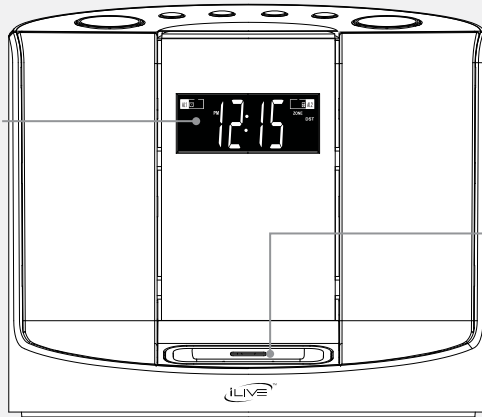
PLAY/PAUSE/MEM

Press to play or pause a docked iPod, or to save the current radio station as a preset.

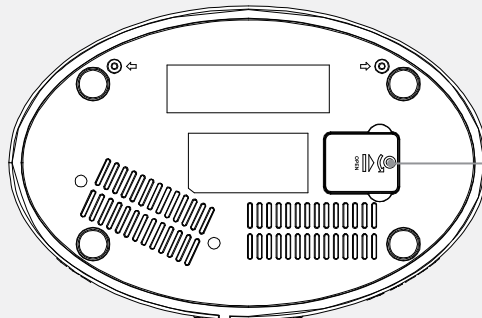


DISPLAY

DOCK FOR IPOD



BACKUP BATTERY COMPARTMENT



TIME ZONE
Press to adjust the Time Zone.

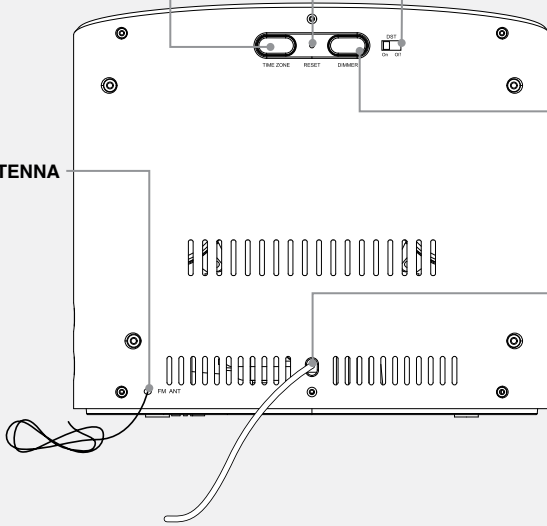
RESET
Press to reset the clock radio to its default settings.

DST
Use to turn Daylight Savings Time off or on.

FM ANTENNA

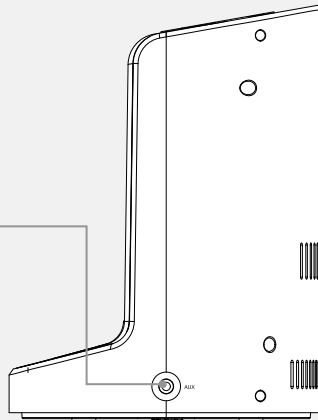
DIMMER
Press repeatedly to adjust the brightness of the display.

POWER INPUT



AUX INPUT

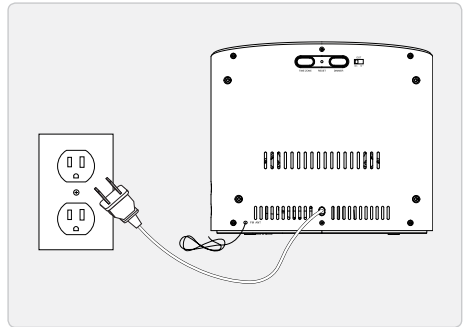
Use to connect an MP3 player or other audio source to the clock radio.



SETUP

Power

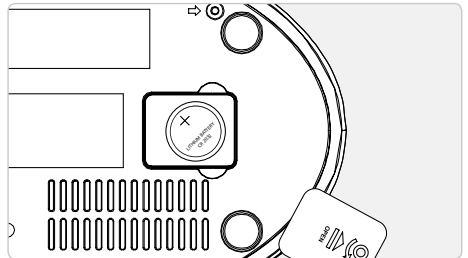
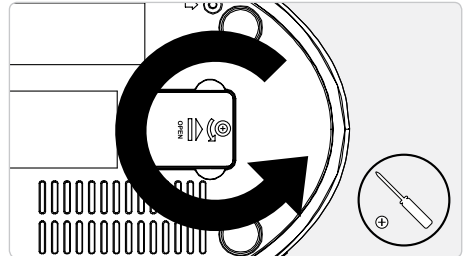
Connect the attached AC cord to a standard AC outlet to power the clock radio.



Battery Backup

Requires 1 CR2032 battery (pre-installed)

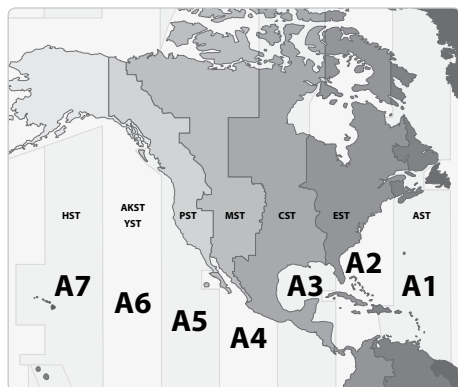
The backup battery is for saving the time during brief power outages. The unit cannot perform all of its normal functions when powered off of the backup battery alone.



Radio Antennas

Extend the **FM WIRE ANTENNA** to improve the reception of the FM radio.

An **AM ANTENNA** is built into the clock radio. Adjust the position of the clock radio to improve AM radio reception.



TIME ZONE	LCD INDICATOR
AST	A1 (+1 HR)
EST (Default)	A2 (± 0 HR)
CST	A3 (-1 HR)
MST	A4 (-2 HR)
PST	A5 (-3 HR)
AKST or YST	A6 (-4 HR)
HST	A7 (-5 HR)

Intelli Set™ Clock Set

The Intelli Set™ time feature automatically sets the unit's time to Eastern Standard.

- 1 Press the **POWER** button to turn the unit off.
- 2 Press and hold the **TIME ZONE** button.
- 3 While holding the **TIME ZONE** button, press the **HR/MIN** buttons, on the top of the clock radio, to adjust the time zone.
Use the map to the left to find your time zone.
- 4 Release the **TIME ZONE** button to finish setting the clock.

Setting the Clock Manually

Follow the "Intelli Set™ Clock Set" instructions before attempting to set the clock manually.

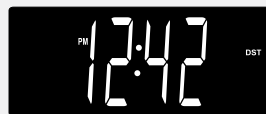
- 1 Press and hold the **CLK ADJ** button.
- 2 While holding the **CLK ADJ** button, press the **HR/MIN** buttons on the top of the clock radio to adjust the hour and minute.
- 3 Release the **CLK ADJ** button to finish setting the clock.

CLOCK

Daylight Savings Time

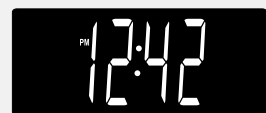
The Daylight Savings Time feature is meant to be activated in the Spring at the time of the Summer Solstice, and deactivated in the Autumn at the time of the Winter Solstice.

- 1 At the time of the Summer Solstice, press the **POWER** button to turn the unit off.
- 2 Press and hold the **CLK ADJ** button.
- 3 While holding the **CLK ADJ** button, press the **DST** button to activate the Daylight Savings Time feature.
- 4 At the time of the Winter Solstice, repeat steps 1-3 to deactivate the Daylight Savings Time feature.



DST Activated

The DST should be activated during the Summer Solstice.



DST Deactivated

The DST should be deactivated during the Winter Solstice.

Setting the Sleep Timer

The Sleep Timer can only be set when the clock radio is powered on.

- 1 Press the **POWER** button to power the clock radio on.
- 2 Press the **SOURCE** button to select the desired mode (iPod, AM radio, FM radio, or Aux).
- 3 Press the **SNOOZE** button repeatedly to set the sleep timer.

When the set time expires, the unit will power off automatically.



Sleep Timer

*The above image shows the sleep timer is set for 20 minutes. After a few seconds, the "20" will disappear. To view the remaining time, press the **SNOOZE** button once.*



LCD Display After Alarms are Set

The above image shows alarm 1 set to sound to the buzzer, and alarm 2 set to sound to a docked iPod.



LCD Display During Setting of Alarm

The above image shows alarm 2 is being set to sound to the AM radio. The time will blink during the setting of the alarm.

Setting the Alarms

- 1 Press and hold the **AL1** (Alarm 1) or **AL2** (Alarm 2) button.
- 2 While holding the **AL1** or **AL2** button, press the **HR/MIN** buttons on the top of the clock radio to adjust the hour and the minute of the alarm.
- 3 While continuing to hold the **AL1** or **AL2** button, press the **SOURCE** button to adjust the alarm source.

Buzz - Wake to Buzzer

Tune FM - Wake to the FM radio

Tune AM - Wake to the AM radio

iPod - Wake to a docked iPod

- 4 Release the **AL1** or **AL2** button to finish setting the alarm.

*To cancel the alarm, press the **AL1** or **AL2** button twice. The alarm source icon on the display will disappear.*

When the Alarm Sounds

When the Alarm Sounds, you can either turn the alarm off until the set alarm time is reached again, or you can press the **SNOOZE** button to delay the alarm for an additional 9 minutes.

IPOD

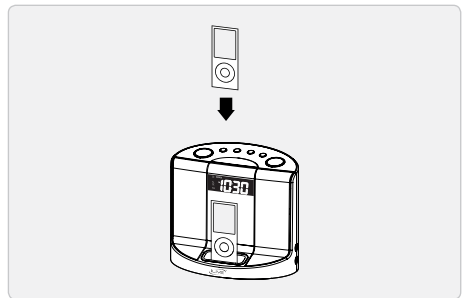
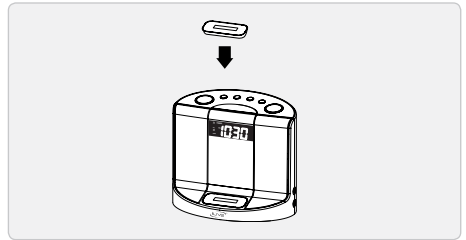
Docking an iPod

- 1 Locate the numbered bracket that fits the iPod model that will be docked.

Each included bracket has a number on it, indicating which iPod model that bracket is compatible with. See the separate bracket chart page to identify which bracket is needed.

- 2 Snap the bracket into place over the iPod connector in the dock.
- 3 Connect the iPod to the iPod connector inside the dock.

When the clock radio is plugged into a power source, it will charge the docked iPod.



Playing a Docked iPod

- 1 Press the **POWER** button to turn the clock radio on.
- 2 Press the **SOURCE** button to switch to iPod mode.
- 3 Press the **PLAY/PAUSE/MEM** button to begin playing the docked iPod.

iPod Charging

Please note, a docked iPod will charge in all modes except for AM radio mode.

Tuning the AM/FM Radio

- 1 Press the **POWER** button to turn the clock radio on.
- 2 Press the **SOURCE** button to switch to AM or FM radio mode.
- 3 Press the **TUNE (+ / -)** buttons to tune the AM or FM radio.

Saving a Radio Station as a Preset

- 1 After tuning the AM or FM radio to the desired station, press the **PLAY/PAUSE/MEM** button.
The Preset number will begin to blink on the display.
- 2 Press the **PRESET (+ / -)** buttons to adjust the preset number.
- 3 Press the **PLAY/PAUSE/MEM** button to save the current AM or FM radio station as a preset to the selected number.

Selecting a Preset Radio Station

- 1 Press the **POWER** button to turn the clock radio on.
- 2 Press the **SOURCE** button to switch to AM or FM radio mode.
- 3 Press the **PRESET (+ / -)** buttons to cycle through your preset radio stations.

AUX INPUT

Using the AUX Input

- 1 Press the **POWER** button to turn the clock radio on.
- 2 Press the **SOURCE** button to switch to AUX mode.
- 3 Connect an MP3 player or other audio source to the **AUX INPUT**.
*Connecting an audio source to the **AUX INPUT** requires a cord with a 3.5mm mini-phono plug.*
- 4 Use the connected device's controls to play, pause, stop, and skip between tracks.

COMPANY INFORMATION

Green Initiative

Environmental Commitment to 'Protect for Today and Sustain for Tomorrow'

2009 marks the official launch of DPI, Inc.'s corporate campaign for a greener and cleaner world. DPI and its four brands, iLive, WeatherX, Capri, and GPX, are building upon environmental initiatives introduced at all of their facilities to help formulate and sustain significant and important conservation efforts within its manufacturing and marketing communities. In addition to targeting and selecting energy efficient product features, and structuring 'green office' procedures, other initial program efforts include:

- Reduction of all packaging sizes
- Recyclable plastics for clamshell packages, with a plan to eventually replace plastic with recyclable paper
- Recycled fiber board in place of the polyfoam in packing boxes
- Recycled plastics in place of the virgin material in product construction

International Support

To download this User's Guide in English, Spanish, or French, visit the support section at www.ilive.net.

Para transferir esta guía de usuario en inglés, español, o francés, visite la sección de la ayuda en www.ilive.net.

Pour télécharger ce guide de l'utilisateur en anglais, espagnol, ou français, visitez la section de soutien chez www.ilive.net.

Contact Information

Address: 2116 Carr Street, St. Louis MO, 63106

Phone: 1-314-621-2881

Fax: 1-314-588-1805

Email: customerservice@ilive.com

Parts Email: partsinfo@dpi-global.com

Website: www.ilive.net

Free Manuals Download Website

<http://myh66.com>

<http://usermanuals.us>

<http://www.somanuals.com>

<http://www.4manuals.cc>

<http://www.manual-lib.com>

<http://www.404manual.com>

<http://www.luxmanual.com>

<http://aubethermostatmanual.com>

Golf course search by state

<http://golfingnear.com>

Email search by domain

<http://emailbydomain.com>

Auto manuals search

<http://auto.somanuals.com>

TV manuals search

<http://tv.somanuals.com>