



## USER'S GUIDE

V:1707-0201-10



---

## ITP180B

### Bar Speaker with Dock for iPhone/iPod

---

*For the most up-to-date version of this User's Guide, go to [www.ilive.net](http://www.ilive.net)*

## WARNINGS AND PRECAUTIONS

- **CAUTION:** TO PREVENT ELECTRIC SHOCK, MATCH WIDE BLADE OF PLUG TO WIDE SLOT, FULLY INSERT.
- **WARNING:** To reduce the risk of fire or electric shock, do not expose this apparatus to rain or moisture.
- **AVERTISSEMENT:** Pour réduire le risque d'incendie ou de choc électrique, ne pas exposer cet appareil sous la pluie et l'humidité.
- **CAUTION:** Use of controls or adjustments or performance of procedures other than those specified may result in hazardous radiation exposure.
- **WARNING:** Changes or modifications to this unit not expressly approved by the party responsible for compliance could void the user's authority to operate the equipment.
- **WARNING:** Do not place the unit on top of any soft, porous, or sensitive surfaces to avoid damaging the surface. Use a protective barrier between the unit and surface to protect the surface.
- **WARNING:** Use of this unit near fluorescent lighting may cause interference regarding use of the remote. If the unit is displaying erratic behavior move away from any fluorescent lighting, as it may be the cause.
- **CAUTION:** Danger of explosion if battery is incorrectly replaced. Replace only with the same or equivalent type.
- **PRÉCAUTION:** *Danger d'explosion si les piles sont remplacées de façon incorrect. Remplacer les piles seulement par le même type de pile ou l'équivalent.*
- **WARNING:** There is a danger of explosion if you attempt to charge standard Alkaline batteries in the unit. Only use rechargeable NiMH batteries.
- **WARNING:** The remote control's button cell battery contains mercury. Do not put in the trash, instead recycle or dispose of as hazardous waste.
- **WARNING:** Lithium batteries, like all rechargeable batteries are recyclable and should be recycled or disposed of in normal household waste. Contact your local government for disposal or recycling practices in your area. They should never be incinerated since they might explode.

Main plug is used as disconnect device and it should remain readily operable during intended use.

Do not mix old and new batteries.

Do not mix alkaline, standard (carbon-zinc), or rechargeable (ni-cad, ni-mh, etc) batteries.

*No mezcle baterias viejas y nuevas.*

*No mezcle baterias alcalinas, estándar (carbone-zinc) o recargables (ni-cad, ni-mh, etc.).*

**CAUTION**  
RISK OF ELECTRIC SHOCK  
DO NOT OPEN

**WARNING:** TO REDUCE THE RISK OF ELECTRIC SHOCK, DO NOT REMOVE COVER (OR BACK). NO USER-SERVICEABLE PARTS INSIDE. REFER SERVICING TO QUALIFIED SERVICE PERSONNEL.



The lightning flash with arrowhead symbol, within an equilateral triangle, is intended to alert the user to the presence of uninsulated "dangerous voltage" within the product's enclosure that may be of sufficient magnitude to constitute a risk of electric shock to persons.



The exclamation point within an equilateral triangle is intended to alert the user to the presence of important operating and maintenance (servicing) instructions in the literature accompanying the appliance.



This product utilizes a Class 1 laser to read Compact Discs. This Laser Compact Disc Player is equipped with safety switches to avoid exposure when the CD door is open and the safety interlocks are defeated. Invisible laser radiation is present when the CD Player's lid is open and the system's interlock has failed or been defeated. It is very important that you avoid direct exposure to the laser beam at all times. Please do not attempt to defeat or bypass the safety switches.

## IMPORTANT SAFETY INSTRUCTIONS

1. Read these Instructions.
2. Keep these Instructions.
3. Heed all Warnings.
4. Follow all instructions.
5. Do not use this apparatus near water.
6. Clean only with a dry cloth.
7. Do not block any ventilation openings. Install in accordance with the manufacturer's instructions.
8. Do not install near any heat sources such as radiators, heat registers, stoves, or other apparatus (including amplifiers) that produce heat.
9. Do not defeat the safety purpose of the polarized or grounding - type plug. A polarized plug has two blades with one wider than the other. A grounding type plug has two blades and a third grounding prong. The wide blade or the third prong are provided for your safety. When the provided plug does not fit into your outlet, consult an electrician for replacement of the obsolete outlet.
10. Protect the power cord from being walked on or pinched particularly at plugs, convenience receptacles, and the point where they exit from the apparatus.
11. Only use attachments/accessories specified by the manufacturer.
12. Use only with a cart, stand, tripod, bracket, or table specified by the manufacturer, or sold with the apparatus. When a cart is used, use caution when moving the cart/apparatus combination to avoid injury from tip-over.
13. Unplug this apparatus during lightning storms or when unused for long periods of time.
14. Refer all servicing to qualified service personnel. Servicing is required when the apparatus has been damaged in any way, such as power-supply cord or plug is damaged, liquid has been spilled or objects have fallen into the apparatus, the apparatus has been exposed to rain or moisture, does not operate normally, or has been dropped.



## FCC Warnings

NOTE: This equipment has been tested and found to comply with the limits for a Class B digital device, pursuant to Part 15 of the FCC Rules. These limits are designed to provide reasonable protection against harmful interference in a residential installation. This equipment generates, uses, and can radiate radio frequency energy and, if not installed and used in accordance with the instructions, may cause harmful interference to radio communications. However, there is no guarantee that interference will not occur in a particular installation. If this equipment does cause harmful interference to radio or television reception, which can be determined by turning the equipment off and on, the user is encouraged to try to correct the interference by one or more of the following measures:

- Reorient or relocate the receiving antenna.
- Increase the separation between the equipment and receiver.
- Connect the equipment into an outlet on a circuit different from that to which the receiver is connected.
- Consult the dealer or an experienced radio/TV technician for help.

## Additional Warnings

- The apparatus shall not be exposed to dripping or splashing and that no objects filled with liquids, such as vases, shall be placed on apparatus.

*L'appareil ne doit pas être exposé aux écoulements ou aux éclaboussures et aucun objet ne contenant de liquide, tel qu'un vase, ne doit être placé sur l'objet.*

- Main plug is used as disconnect device and it should remain readily operable during intended use. In order to disconnect the apparatus from the mains completely, the mains plug should be disconnected from the mains socket outlet completely.

*La prise du secteur ne doit pas être obstruée ou doit être facilement accessible pendant son utilisation. Pour être complètement déconnecté de l'alimentation d'entrée, la prise doit être débranchée du secteur.*

- Battery shall not be exposed to excessive heat such as sunshine, fire or the like.

*Les piles ne doivent pas être exposées à de forte chaleur, tel qu'à la lumière du soleil, au feu ou autres choses de semblable.*

- Caution marking is located at the bottom of the apparatus.

*Les marquages sont inscrits en bas de l'appareil.*

- The marking information is located at the bottom of apparatus.

*Les précautions d'emploi sont inscrites en bas de l'appareil.*

## BAR SPEAKER WITH DOCK FOR IPHONE/IPOD

### Features

- Works with iPhone
- Made for iPod
- 30" length
- FM radio
- Station memory presets (20 FM)
- Last channel memory
- Treble and bass controls
- 2.1 channel stereo system
- Preset EQ
- Digital clock
- Single alarm
- Gradual wake
- Wake to iPhone/iPod or radio
- White LCD display
- Sleep timer
- Video output
- Audio/video input
- Line input (3.5mm)
- Remote control
- Subwoofer output
- Last user setting memory
- 2 auxiliary audio inputs (RCA)
- S-video output
- Basic iPhone/iPod controls
- Supports Universal docking brackets
- Wall mountable
- Motorized iPod drawer
- Cloth net speaker grill
- AC power: built-in AC power cable

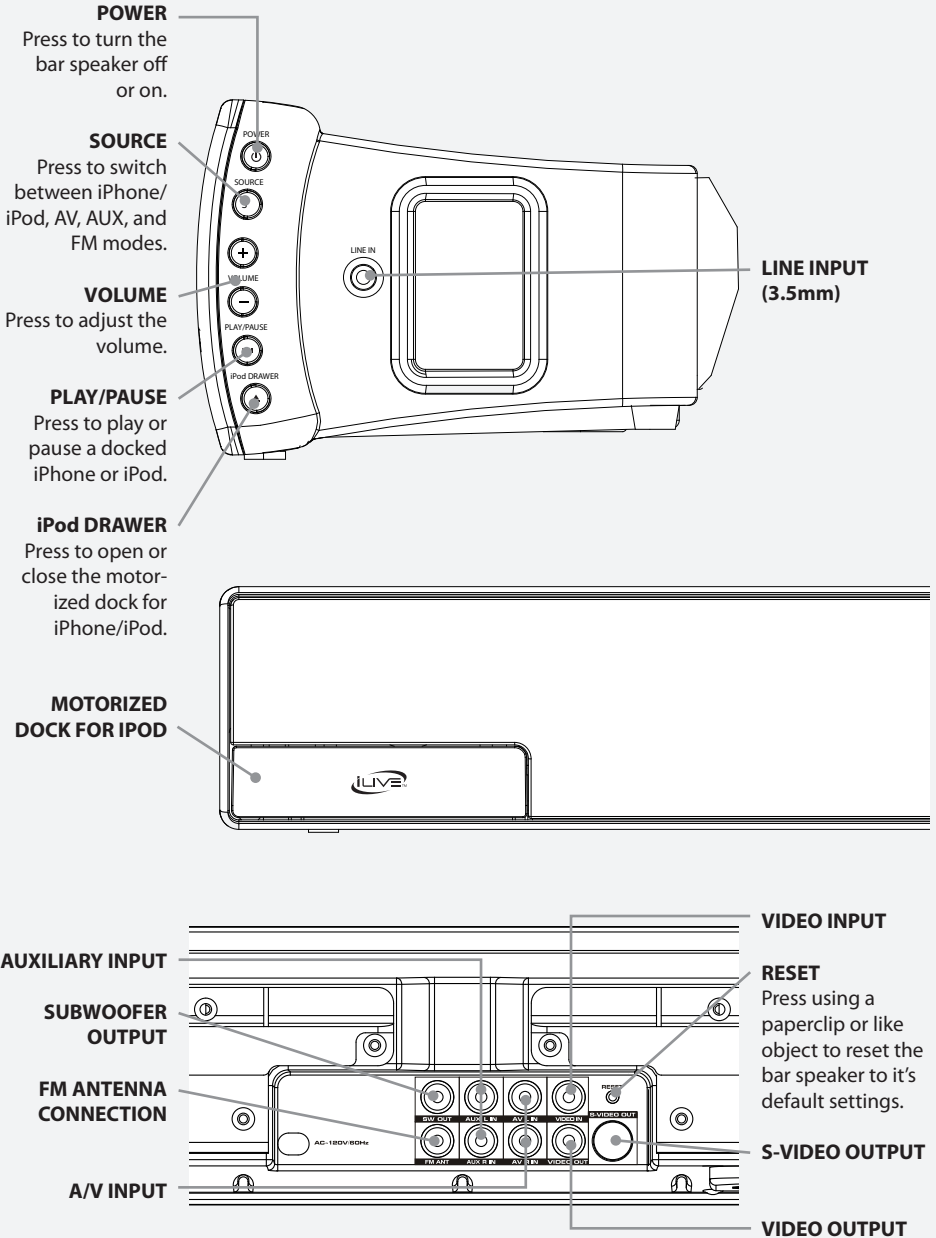
### Included

- ITP180B
- Remote control: requires 2 AAA batteries (not included)
- Docking brackets for iPhone/iPod (6)
- FM wire antenna
- Audio/video cable
- Wall-mount hardware

## TABLE OF CONTENTS

<b>INTRODUCTION</b>	<b>6</b>
<b>SETUP</b>	<b>8</b>
<b>CLOCK, ALARM, AND SLEEP TIMER</b>	<b>9</b>
<b>IPHONE/IPOD AND FM RADIO</b>	<b>10</b>
<b>AUXILIARY INPUT, LINE INPUT AND SUBWOOFER OUTPUT</b>	<b>11</b>
<b>BASIC CONNECTIVITY</b>	<b>12</b>
<b>AV INPUT AND VIDEO INPUT</b>	<b>13</b>
<b>MOUNTING TO A WALL</b>	<b>14</b>
<b>COMPANY INFORMATION</b>	<b>16</b>

# INTRODUCTION



**STANDBY/ON**  
Press to turn the bar speaker off or on.

**MUTE**  
Press to mute the volume.

**ALARM**  
With the power off, press to set the alarm.

**CLOCK**  
With the power off, press to set the clock.

**SLEEP**  
Press repeatedly to set the sleep timer.

**BASS**  
With the EQ set to FLAT, press to adjust the levels of bass.

**REV/FWD/MIN/HR**  
Press to rewind or fast forward a docked iPhone or iPod. Press to adjust the hour and minute when setting the clock or alarm.

**MENU**  
Press skip through menus on a docked iPhone or iPod.

**TUN/SKIP**  
Press to skip between tracks on a docked iPhone or iPod. Press to tune the radio.

**ALBUM/CHAPTER/PLAYLIST**  
Press to skip through albums, chapters, or playlists on a docked iPhone or iPod.

**SOURCE**  
Press to switch between AV, AUX, FM, and iPhone/iPod modes.

**DISPLAY**  
Press to view the clock on the display.

**iPod DRAWER**  
Press to open or close the motorized dock for iPhone/iPod.

**NUMBER KEYPAD**

**REPEAT**  
Press to repeat a single track or entire album on a docked iPhone or iPod.

**TREBLE**  
With the EQ set to FLAT, press to adjust the levels of treble.

**MENU UP/DN**  
Press to navigate up and down in menus on a docked iPhone or iPod.

**SELECT**  
Press to make selections on a docked iPhone or iPod.

**SHUFFLE**  
Press to play songs from a docked iPhone or iPod in a random order.

**EQ**  
Press to adjust the EQ.

**VOLUME**  
Press to adjust the volume.

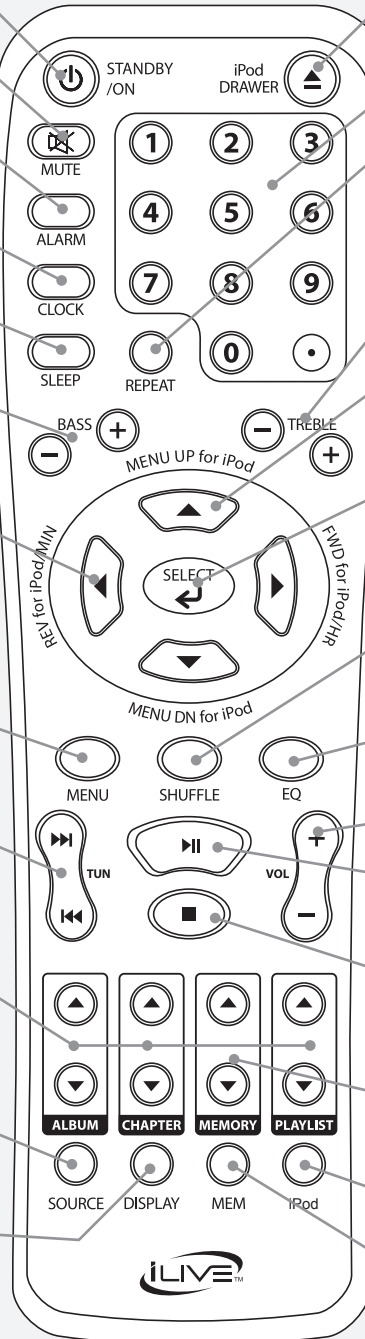
**PLAY/PAUSE**  
Press to play or pause a docked iPhone or iPod.

**STOP**  
Press to stop a docked iPhone or iPod during play.

**MEMORY**  
Press to cycle through saved radio stations.

**iPod**  
Press to switch to iPhone/iPod mode.

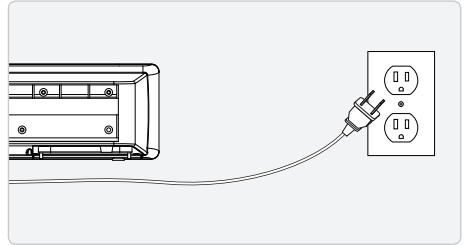
**MEM**  
Press to save a radio station to the bar speaker's memory.



## SETUP

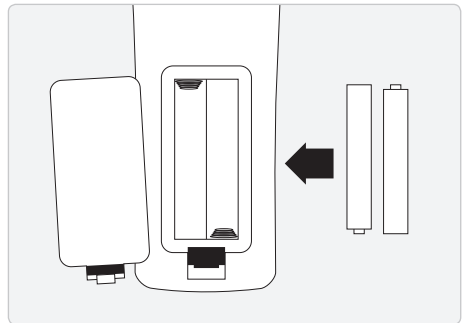
### Power

Plug the attached AC cord into a standard AC power outlet to power the bar speaker.



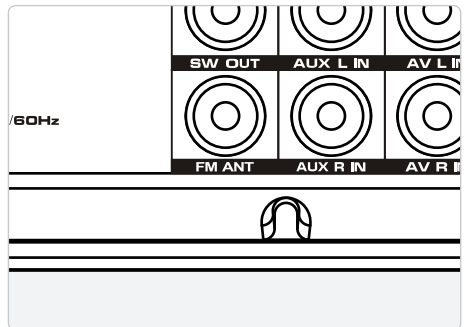
### Remote

Requires 2 AAA batteries (not included)



### FM Antenna

Plug the FM Wire Antenna (included) into the FM Antenna Connection.





## CLOCK, ALARM, AND SLEEP TIMER

### Setting the Alarm

- 1 Press the **POWER** button to turn the power on.
- 2 Adjust the volume to the desired level.
- 3 Press the **POWER** button to turn the power off.
- 4 Press the **ALARM** button on the remote control.  
*The alarm time on the display will begin blinking.*
- 5 Press the **REV/MIN** and **FWD/HR** buttons on the remote to adjust the minute and hour.
- 6 Press the **SOURCE** button on the bar speaker to switch to the desired alarm source.
- 7 Wait 5 seconds to finish setting the alarm.  
*ALARM will appear on the display when the alarm is set.*
- 8 Press the **ALARM** button to cancel the alarm.

### Setting the Clock

- 1 Press the **POWER** button to turn the power off.
- 2 Press the **CLOCK** button on the remote control.  
*The time on the display will begin blinking.*
- 3 Press the **REV/MIN** and **FWD/HR** buttons on the remote to adjust the minute and hour.
- 4 Wait 5 seconds to finish setting the clock.

### Setting the Sleep Timer

- 1 Press the **POWER** button to turn the power on.
- 2 Press the **SOURCE** button on the bar speaker to switch to the desired sleep timer source.
- 3 Press the **SLEEP** button repeatedly to set the sleep timer.
- 4 After the set sleep time has expired, the bar speaker will automatically power off.

## IPHONE/IPOD AND FM RADIO

### Docking an iPhone/iPod

- 1 Press the **POWER** button to turn the bar speaker on.
- 2 Press the **SOURCE** button to switch to iPhone/iPod mode.
- 3 Press the **iPod DRAWER** button to open the **MOTORIZED DOCK FOR iPhone/iPod**
- 4 Locate the numbered bracket that fits the iPhone/iPod model that will be docked.

*Each included bracket has a number on it, indicating which iPhone/iPod model that bracket is compatible with. See the separate bracket chart page to identify which bracket is needed.*

- 5 Snap the bracket into place over the iPhone/iPod connector in the motorized dock.
- 6 Connect the iPhone or iPod to the connector inside the Dock for iPhone/iPod.

*When the speaker is plugged in, using AC power, the docked iPhone or iPod will charge.*

### Playing an iPhone/iPod

- 1 Follow the instructions for docking an iPhone/iPod.
- 2 Press the **PLAY/PAUSE** button to begin playing music from the docked iPhone or iPod.

### Tuning the FM Radio

- 1 Press the **POWER** button to turn the bar speaker on.
- 2 Press the **SOURCE** button to switch to FM radio mode.
- 3 Press the **TUN/SKIP** buttons on the remote to tune the FM radio.

### Saving a Radio Station

- 1 Follow the instructions for tuning the FM radio.
- 2 After tuning to the desired station, press the **MEM** button.
- 3 Press the **MENU UP** or **MENU DN** buttons on the remote to select a preset.
- 4 Press the **MEM** button to save the current radio station to the selected preset.

*Up to 20 stations can be saved to the bar speaker's memory.*

### Listening to Saved Radio Stations

- 1 Press the **POWER** button to turn the bar speaker on.
- 2 Press the **SOURCE** button to switch to FM radio mode.
- 3 Press the **MEMORY** buttons on the remote to cycle through saved radio stations.

## AUXILIARY INPUT, LINE INPUT, AND SUBWOOFER OUTPUT

### Using the Subwoofer Output

- 1 Use an RCA cable (included) to connect an external subwoofer to the **SUBWOOFER OUTPUT**.
- 2 When audio is played through any source, the bar speaker will automatically use the connected subwoofer.

### Using the Auxiliary Input

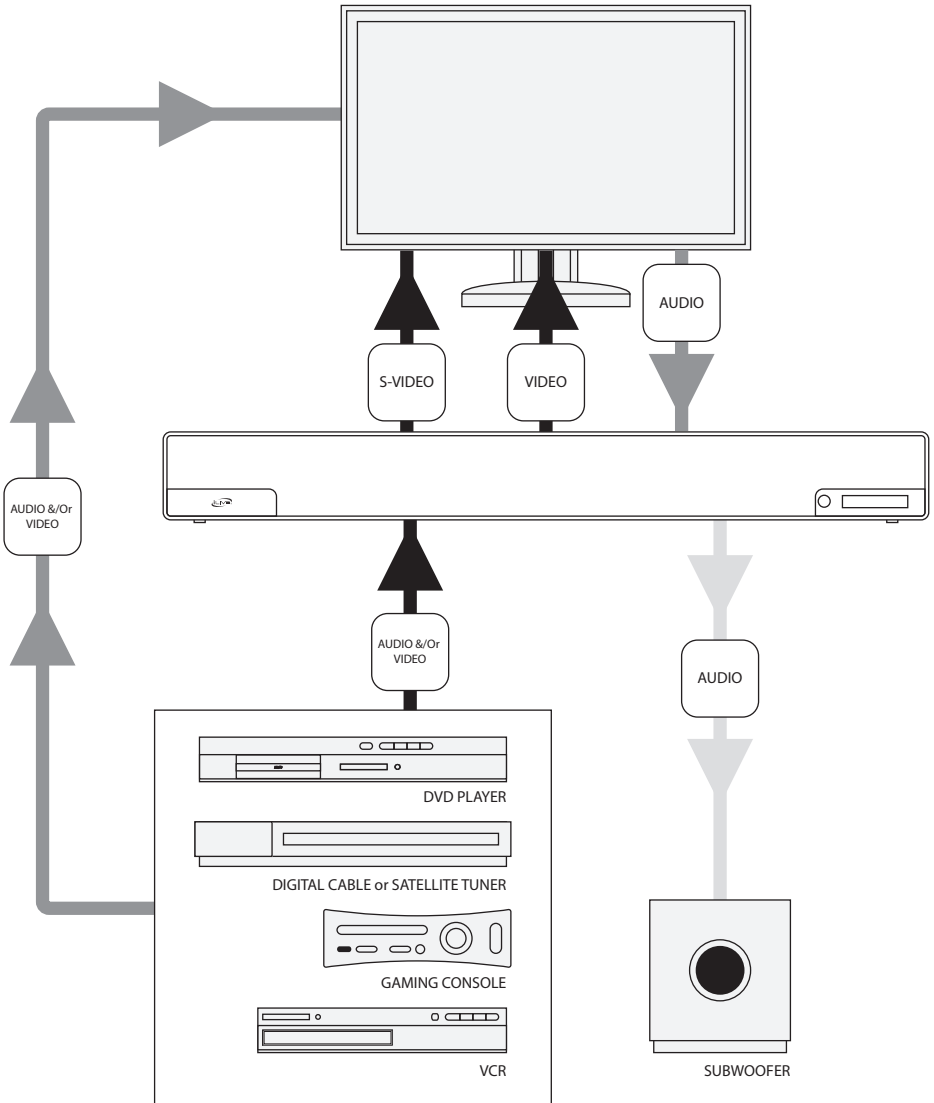
- 1 Connect an RCA cable (included) to the **AUXILIARY INPUTS** on the bar speaker and an audio source.
- 2 Press the **POWER** button to turn the bar speaker on.
- 3 Press the **SOURCE** button to switch to AUX mode.  
*The AUXILIARY INPUTS will not work when the LINE INPUT is connected.*
- 4 Use the native controls on the connected audio device to begin playing music through the connected bar speaker.

### Using the Line Input

- 1 Connect a 3.5mm line input cable (not included) to the **LINE INPUT** on the bar speaker and an audio source.
- 2 Press the **POWER** button to turn the bar speaker on.
- 3 Press the **SOURCE** button to switch to AUX mode.  
*When the LINE INPUT is connected, the AUXILIARY INPUTS will not work.*
- 4 Use the native controls on the connected audio device to begin playing music through the connected bar speaker.

## BASIC CONNECTIVITY

Below, you'll see a basic flow chart of how you can connect your home entertainment devices to the bar speaker, and in turn how the bar speaker connects to them.



### Using the AV Input

- 1 Connect an RCA cable (included) to the **AV INPUTS** and an audio source.
- 2 Press the **POWER** button to turn the bar speaker on.
- 3 Press the **SOURCE** button to switch to AV mode.
- 4 Use the native controls on the connected audio device to begin playing music through the connected bar speaker.

### Using the Video Input

- 1 Connect an RCA cable (included) to the **VIDEO INPUT** and a video source (DVD player, Cable or Satellite Tuner, Gaming Console, or VCR).
- 2 Connect the bar speaker to a television using the **VIDEO OUTPUT** or **S-VIDEO OUTPUT**.
- 3 Press the **POWER** button to turn the bar speaker on.
- 4 Press the **SOURCE** button to switch to AV mode.
- 5 Use the native controls on the connected video device to control video that runs through the bar speaker.

### Using the Video Output

- 1 Connect an RCA cable (included) to the **VIDEO OUTPUT** and a television.
- 2 Adjust the connected television to the proper input setting.
- 3 Video from a docked iPhone/iPod, or a connected DVD player can now be played through the bar speaker to the connected television.

### Using the S-Video Output

The S-Video Output will only output video from a docked iPod/iPhone.

- 1 Connect an S-Video cable (not included) to the **S-VIDEO OUTPUT** and a television.
- 2 Adjust the connected television to the proper input setting.
- 3 Video from a docked iPhone/iPod can now be played through the bar speaker to the connected television.

## MOUNTING TO A WALL

### Important Notes

We recommend having this bar speaker professionally mounted.

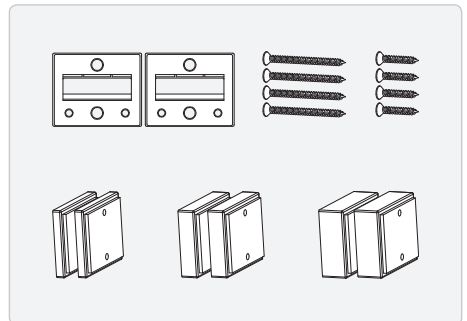
The included spacers should be used at your discretion to extend the face of the bar speaker farther from the wall. These are typically used when mounting the bar speaker under a television, and the face of the bar speaker needs to be flush with the face of the television.

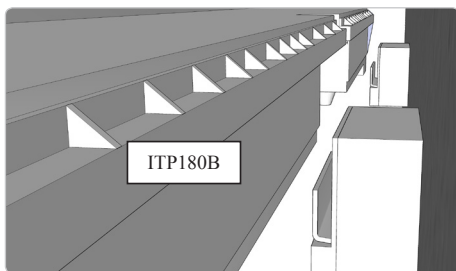
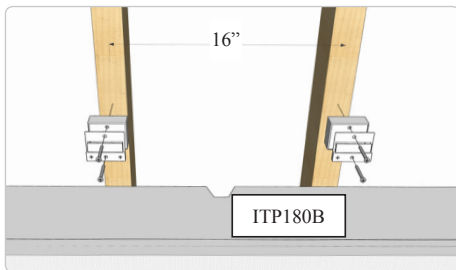
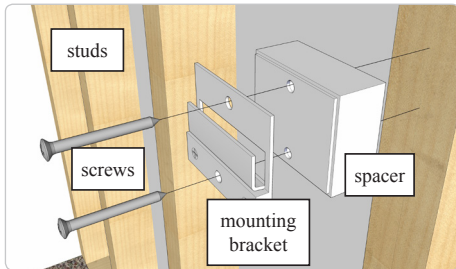
### Required Tools

- Manual or Power Screwdriver
- Stud Finder
- Pencil
- Tape Measure
- Level

### Included Hardware

- (2) Wall Mount Brackets
- (4) Long Screws
- (4) Short Screws
- (2) 1/4" Spacers
- (2) 1/2" Spacers
- (2) 3/4" Spacers





## Getting Started

- 1 Use the **Tape Measure** to decide how high you'd like to hang the bar speaker on the wall.

*The bar speaker must be hung within 6 feet of an AC power outlet for the attached AC power cable to reach.*

- 2 Use the **Stud Finder** to locate 2 parallel wooden studs to screw the mounting brackets into.
- 3 Mark the wall at the center of the studs using the **pencil**.
- 4 Line the **level** up on both of your marks to make sure they are level. If they're not, adjust the marks as needed to make them level.
- 5 After you've double checked your markings, **drill** through the top hole on both mounting brackets directly into the marks you've made on the wall.
- 6 If you are using the brackets only and no spacers, use the included short screws. If you are using any of the spacers or combination of the spacers, use the long screws.
- 7 Use the **Level** to level each of the hanging brackets, then drill the second screw into the bottom hole on both mounting brackets.
- 8 Slide the bar speaker onto the mounting brackets, and make sure there is a firm and stable connection before letting go of the bar speaker.
- 9 Finally, use the **Level** to confirm that the bar speaker is level.

## COMPANY INFORMATION

### International Support

To download this User's Guide in English, Spanish, or French, visit the support section at [www.ilive.net](http://www.ilive.net).

Para transferir esta guía de usuario en inglés, español, o francés, visite la sección de la ayuda en [www.ilive.net](http://www.ilive.net).

Pour télécharger ce guide de l'utilisateur en anglais, espagnol, ou français, visitez la section de soutien chez [www.ilive.net](http://www.ilive.net).

### Contact Information

Address: 2116 Carr Street, St. Louis MO, 63106

Phone: 1-314-621-2881

Fax: 1-314-588-1805

Email: [customerservice@ilive.net](mailto:customerservice@ilive.net)

Parts Email: [partsinfo@dpi-global.com](mailto:partsinfo@dpi-global.com)

Website: [www.ilive.net](http://www.ilive.net)



## Free Manuals Download Website

<http://myh66.com>

<http://usermanuals.us>

<http://www.somanuals.com>

<http://www.4manuals.cc>

<http://www.manual-lib.com>

<http://www.404manual.com>

<http://www.luxmanual.com>

<http://aubethermostatmanual.com>

Golf course search by state

<http://golfingnear.com>

Email search by domain

<http://emailbydomain.com>

Auto manuals search

<http://auto.somanuals.com>

TV manuals search

<http://tv.somanuals.com>