



USER'S GUIDE
V:1041-0208-10



ITP280B Bar Speaker for iPhone/iPod

For the most up-to-date version of this User's Guide, go to www.ilive.net

WARNINGS AND PRECAUTIONS

- **CAUTION:** TO PREVENT ELECTRIC SHOCK, MATCH WIDE BLADE OF PLUG TO WIDE SLOT, FULLY INSERT.
- **WARNING:** To prevent fire or shock hazards, do not expose this unit to rain or moisture.
- **AVERTISSEMENT:** Pour réduire le risque d'incendie ou de choc électrique, ne pas exposer cet appareil sous la pluie et l'humidité.
- **CAUTION:** Use of controls or adjustments or performance of procedures other than those specified may result in hazardous radiation exposure.
- **WARNING:** Changes or modifications to this unit not expressly approved by the party responsible for compliance could void the user's authority to operate the equipment.
- **WARNING:** Do not place the unit on top of any soft, porous, or sensitive surfaces to avoid damaging the surface. Use a protective barrier between the unit and surface to protect the surface.
- **WARNING:** Use of this unit near fluorescent lighting may cause interference regarding use of the remote. If the unit is displaying erratic behavior move away from any fluorescent lighting, as it may be the cause.
- **CAUTION:** Danger of explosion if battery is incorrectly replaced. Replace only with the same or equivalent type.
- **PRÉCAUTION:** *Danger d'explosion si les piles sont remplacées de façon incorrect. Remplacer les piles seulement par le même type de pile ou l'équivalent.*
- **WARNING:** There is a danger of explosion if you attempt to charge standard Alkaline batteries in the unit. Only use rechargeable NiMH batteries.
- **WARNING:** The remote control's button cell battery contains mercury. Do not put in the trash, instead recycle or dispose of as hazardous waste
- **WARNING:** Lithium batteries, like all rechargeable batteries are recyclable and should be recycled or disposed of in normal household waste. Contact your local government for disposal or recycling practices in your area. They should never be incinerated since they might explode.

Main plug is used as disconnect device and it should remain readily operable during intended use.

Do not mix old and new batteries.

Do not mix alkaline, standard (carbon-zinc), or rechargeable (ni-cad, ni-mh, etc) batteries.

No mezcle baterías viejas y nuevas.

No mezcle baterías alcalinas, estándar (carbono-zinc) o recargables (ni-cad, ni-mh, etc.).

CAUTION
RISK OF ELECTRIC SHOCK
DO NOT OPEN

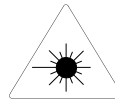
WARNING: TO REDUCE THE RISK OF ELECTRIC SHOCK, DO NOT REMOVE COVER (OR BACK). NO USER-SERVICEABLE PARTS INSIDE. REFER SERVICING TO QUALIFIED SERVICE PERSONNEL.



The lightning flash with arrowhead symbol, within an equilateral triangle, is intended to alert the user to the presence of uninsulated "dangerous voltage" within the product's enclosure that may be of sufficient magnitude to constitute a risk of electric shock to persons.



The exclamation point within an equilateral triangle is intended to alert the user to the presence of important operating and maintenance (servicing) instructions in the literature accompanying the appliance.



This product utilizes a Class 1 laser to read Compact Discs. This laser Compact Disc Player is equipped with safety switches to avoid exposure when the CD door is open and the safety interlocks are defeated. Invisible laser radiation is present when the CD Player's lid is open and the system's interlock has failed or been defeated. It is very important that you avoid direct exposure to the laser beam at all times. Please do not attempt to defeat or bypass the safety switches.

IMPORTANT SAFETY INSTRUCTIONS

1. Read these Instructions.
2. Keep these Instructions.
3. Heed all Warnings.
4. Follow all instructions.
5. Do not use this apparatus near water.
6. Clean only with a dry cloth.
7. Do not block any ventilation openings. Install in accordance with the manufacturer's instructions.
8. Do not install near any heat sources such as radiators, heat registers, stoves, or other apparatus (including amplifiers) that produce heat.
9. Do not defeat the safety purpose of the polarized or grounding - type plug. A polarized plug has two blades with one wider than the other. A grounding type plug has two blades and a third grounding prong. The wide blade or the third prong are provided for your safety. When the provided plug does not fit into your outlet, consult an electrician for replacement of the obsolete outlet.
10. Protect the power cord from being walked on or pinched particularly at plugs, convenience receptacles, and the point where they exit from the apparatus.
11. Only use attachments/accessories specified by the manufacturer.
12. Use only with a cart, stand, tripod, bracket, or table specified by the manufacturer, or sold with the apparatus. When a cart is used, use caution when moving the cart/apparatus combination to avoid injury from tip-over.
13. Unplug this apparatus during lightning storms or when unused for long periods of time.
14. Refer all servicing to qualified service personnel. Servicing is required when the apparatus has been damaged in any way, such as power-supply cord or plug is damaged, liquid has been spilled or objects have fallen into the apparatus, the apparatus has been exposed to rain or moisture, does not operate normally, or has been dropped.



FCC Warnings

NOTE: This equipment has been tested and found to comply with the limits for a Class B digital device, pursuant to Part 15 of the FCC Rules. These limits are designed to provide reasonable protection against harmful interference in a residential installation. This equipment generates, uses, and can radiate radio frequency energy and, if not installed and used in accordance with the instructions, may cause harmful interference to radio communications. However, there is no guarantee that interference will not occur in a particular installation. If this equipment does cause harmful interference to radio or television reception, which can be determined by turning the equipment off and on, the user is encouraged to try to correct the interference by one or more of the following measures:

- Reorient or relocate the receiving antenna.
- Increase the separation between the equipment and receiver.
- Connect the equipment into an outlet on a circuit different from that to which the receiver is connected.
- Consult the dealer or an experienced radio/TV technician for help.

Additional Warnings

- The apparatus shall not be exposed to dripping or splashing and that no objects filled with liquids, such as vases, shall be placed on apparatus.

L'appareil ne doit pas être exposé aux écoulements ou aux éclaboussures et aucun objet ne contenant de liquide, tel qu'un vase, ne doit être placé sur l'objet.

- Main plug is used as disconnect device and it should remain readily operable during intended use. In order to disconnect the apparatus from the mains completely, the mains plug should be disconnected from the mains socket outlet completely.

La prise du secteur ne doit pas être obstruée ou doit être facilement accessible pendant son utilisation. Pour être complètement déconnecté de l'alimentation d'entrée, la prise doit être débranchée du secteur.

- Battery shall not be exposed to excessive heat such as sunshine, fire or the like.

Les piles ne doivent pas être exposées à de forte chaleur, tel qu'à la lumière du soleil, au feu ou autres choses de semblable.

- Caution marking is located at the rear of the apparatus.

Les marquages sont inscrits en bas de l'appareil.

- The marking information is located at the bottom of apparatus.

Les précautions d'emploi sont inscrites en bas de l'appareil.

BAR SPEAKER FOR IPHONE/IPOD

Features

- Works with iPhone
- Made for iPod
- 37" length
- FM radio
- Station memory presets (20 FM)
- Last channel memory
- Treble and bass controls
- 3.1 channel stereo system
- Preset EQ
- Digital clock
- SRS TruSurround XT™ with simulated 5.1 effect
- Timer
- White LCD display
- Sleep timer
- Video output
- Line input (3.5mm)
- Auxiliary input (RCA)
- Remote control
- Subwoofer output
- S-video output
- 2 audio/video inputs
- S-video output
- Basic iPhone/iPod controls
- Supports Universal docking brackets
- Wall mountable
- Motorized iPod drawer
- Cloth net speaker grill
- AC power: built-in AC power cable

Included

- ITP280B
- Remote control (batteries not included)
- Docking brackets for iPhone/iPod (6)
- AC power cable
- FM wire antenna
- Wall-mount hardware

TABLE OF CONTENTS

INTRODUCTION	6
SETUP	8
CLOCK, ALARM, AND SLEEP TIMER	9
IPHONE/IPOD AND RADIO	10
AV1, AV2, AUXILIARY INPUT, LINE INPUT, EQ	11
BASIC CONNECTIVITY	12
CONNECTING THE BAR SPEAKER TO A TV	13
MOUNTING THE BAR SPEAKER TO A WALL	14
COMPANY INFORMATION	16

INTRODUCTION

POWER

Press to turn the bar speaker off or on.

VOLUME

Press to adjust the volume.

SOURCE

Press to switch between iPod/iPhone, FM radio, AV1, AV2, Line, and AUX modes.

PLAY/PAUSE

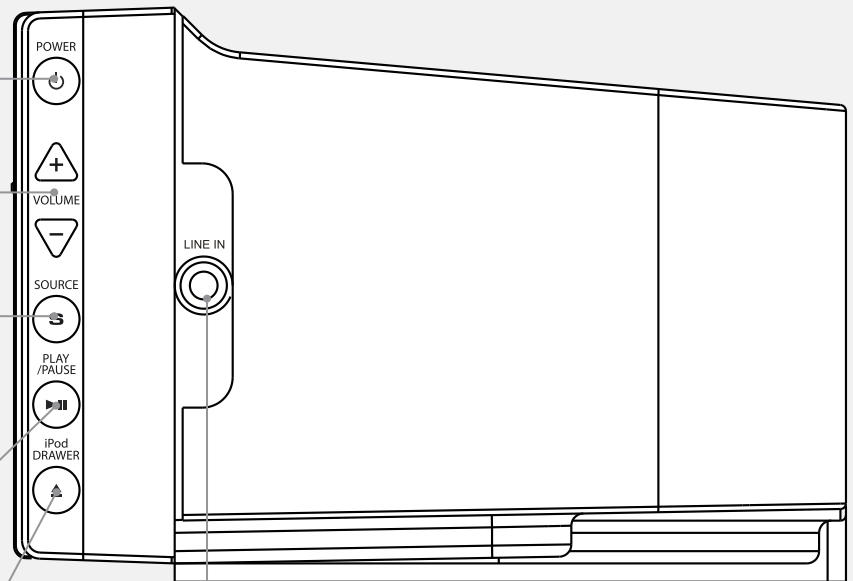
Press to play or pause a docked iPhone or iPod.

iPod DRAWER

Press to open and close the iPod docking drawer.

LINE INPUT (3.5mm)

Use to connect an MP3 player or other audio source to the bar speaker.



RESET

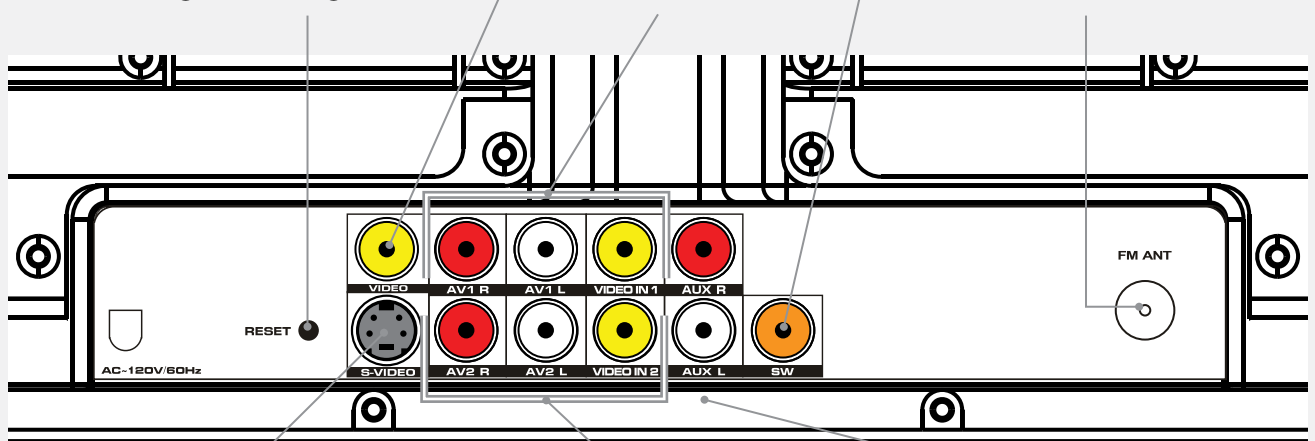
Press using a paperclip or like object to reset the bar speaker to it's original settings.

VIDEO OUTPUT

AV1 INPUT

SUBWOOFER OUTPUT

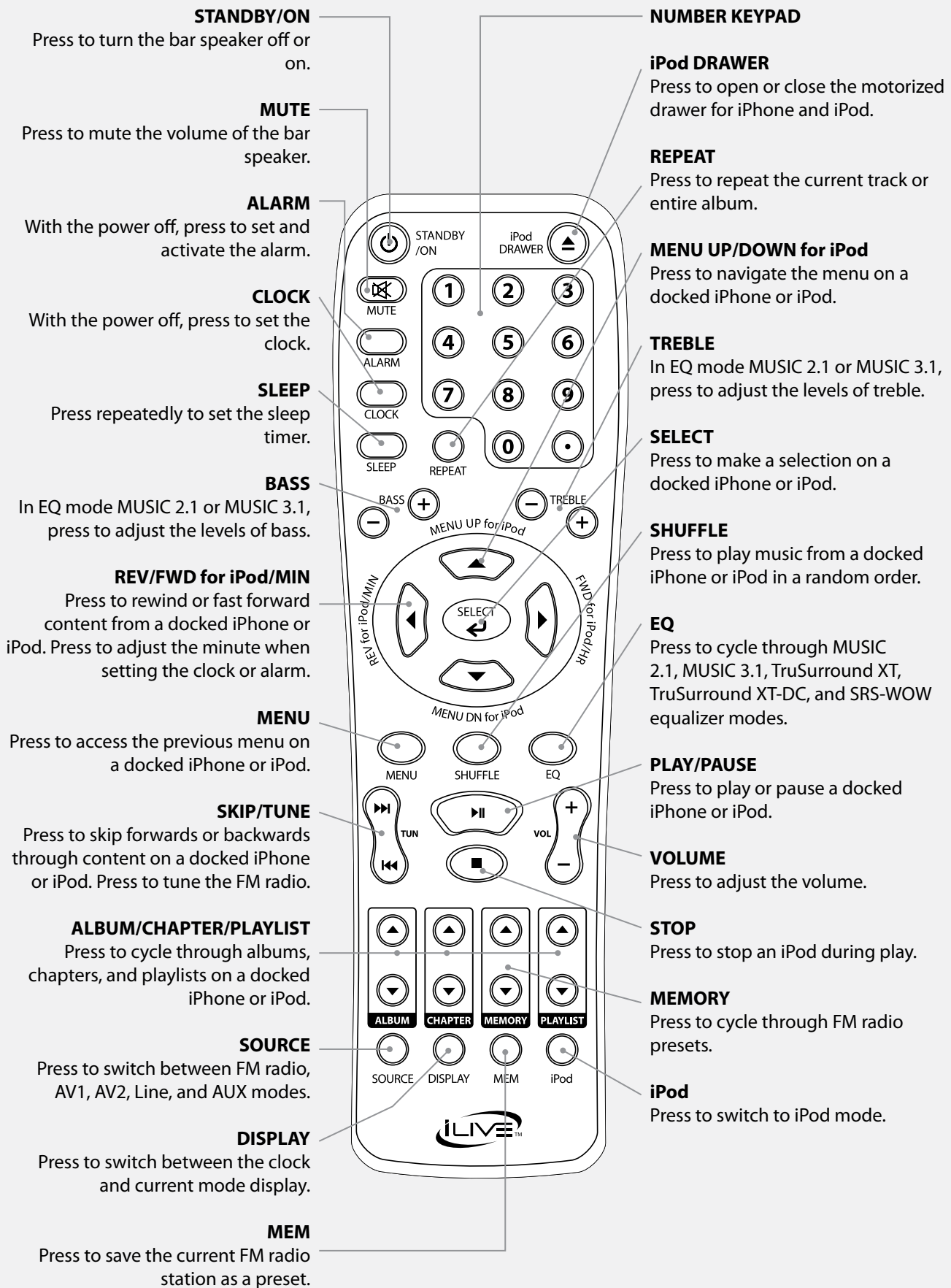
FM ANTENNA CONNECTION



S-VIDEO OUTPUT

AV2 INPUT

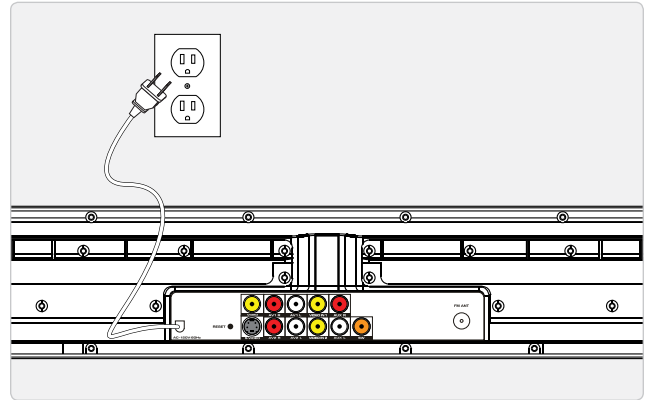
RCA AUXILIARY AUDIO INPUTS



SETUP

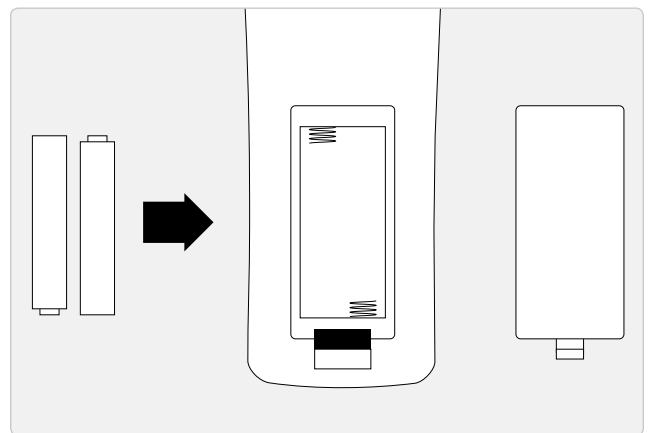
Power

Plug the attached AC cord into a standard AC power outlet to power the bar speaker.



Battery Power

Requires 2 AAA batteries (not included)



Setting the Sleep Timer

- 1 With the bar speaker powered on, press the **SLEEP** button repeatedly to set the sleep timer.
- 2 After the set amount of time expires, the bar speaker will automatically power off.

Setting the Clock

- 1 Press the **POWER** button to turn the bar speaker off.
- 2 Press the **CLOCK** button on the remote.
The clock will begin to blink.
- 3 Press the **REV/FWD for iPod MIN/HR** buttons on the remote to adjust the hour and minute.
- 4 Press the **CLOCK** button to finish setting the time.

Setting the Alarm

- 1 Press the **POWER** button to turn the bar speaker off.
- 2 Press the **ALARM** button on the remote.
The alarm time will begin to blink.
- 3 Press the **REV/FWD for iPod MIN/HR** buttons on the remote to adjust the hour and minute.
- 4 Press the **SOURCE** button to select FM or iPod mode for the alarm source.
- 5 Press the **ALARM** button to finish setting the alarm time.
- 6 Once set, the alarm will automatically be activated. Press the **ALARM** button an additional time, after setting the alarm, to deactivate the alarm.
When the text ALARM appears on the display, the alarm is activated.
- 7 After the alarm sounds, press the **POWER** button to turn the alarm off.

IPHONE/IPOD AND RADIO

Docking an iPhone/iPod

- 1 Press the **POWER** button to turn the bar speaker on.
- 2 Press the **SOURCE** button to switch to iPhone/iPod mode. (**iPod** button on the remote)
- 3 Press the **iPod DRAWER** button to open the MOTORIZED DOCK FOR iPhone/iPod.
- 4 Locate the numbered bracket that fits the iPhone/iPod model that will be docked.
Each included bracket has a number on it, indicating which iPhone/iPod model that bracket is compatible with. See the separate bracket chart page to identify which bracket is needed.
- 5 Snap the bracket into place over the iPhone/iPod connector in the motorized dock.
- 6 Connect the iPhone or iPod to the connector inside the Dock for iPhone/iPod.
When the speaker is plugged in, using AC power, the docked iPhone or iPod will charge.

Playing an iPhone/iPod

- 1 Follow the instructions for docking an iPhone/iPod.
- 2 Press the **PLAY/PAUSE** button to begin playing music from the docked iPhone or iPod.

Tuning the FM Radio

- 1 Press the **POWER** button to turn the bar speaker on.
- 2 Press the **SOURCE** button to switch to FM radio mode.
- 3 Press the **SKIP/TUNE** buttons on the remote to tune the FM radio.

Saving a Station as a Preset

- 1 Follow the instructions for TUNING THE FM RADIO.
- 2 Press the **MEM** button.
- 3 Press the **MENU UP/DOWN for iPod** buttons to select a preset. (P01, P02, P03, etc.)
- 4 After you've selected a preset, press the **MEM** button to save the current FM radio station to the selected preset.

Tuning to a Preset FM Radio Station

- 1 Follow the instructions for TUNING THE FM RADIO.
- 2 Follow the instructions for SAVING A STATION AS A PRESET.
- 3 Press the **MEMORY** buttons on the remote to cycle through preset radio stations.

AV1, AV2, AUXILIARY INPUT, LINE INPUT, AND EQ

Line Input

Requires a 3.5mm audio cable (not included)

- 1 Connect 3.5mm audio cable to the **LINE INPUT**. Connect the other end of the 3.5mm cable to an MP3 player or other audio source.
- 2 Press the **POWER** button to turn the bar speaker on.
- 3 Press the **SOURCE** button to switch to LINE mode.
- 4 Use the native controls on the connected device to begin playing audio routed through the bar speaker.

Built-in Sound Technologies

Press the **EQ** button to cycle through the available equalizer settings.

SRS TruSurround XT[®] creates a truly immersive surround sound experience with rich bass and clear dialog.

SRS TruSurround XT[®] - **Dialog Clarity Mode** enhances the vocals so dialog is clear and easy to understand.

SRS WOW[®] significantly improves the playback quality of audio, delivering a dynamic 3D entertainment experience with deep, rich bass.

Music 2.1 delivers the audio through two of the three speakers and the subwoofer.

Music 3.1 delivers the audio through all three of the bar speaker's speakers and the subwoofer.

AV1 and AV2

Requires an RCA audio/video cable (not included)

- 1 Connect an RCA audio/video cable to the **AV1** or **AV2 INPUTS**. Connect the other end of the RCA cable to the audio/video outputs on a DVD player, stereo system, gaming system, etc.
- 2 Press the **POWER** button to turn the bar speaker on.
- 3 Press the **SOURCE** button to switch to AV1 or AV2 mode.
- 4 Use the native controls on the connected device to begin playing audio or video routed through the bar speaker.

Auxiliary Input

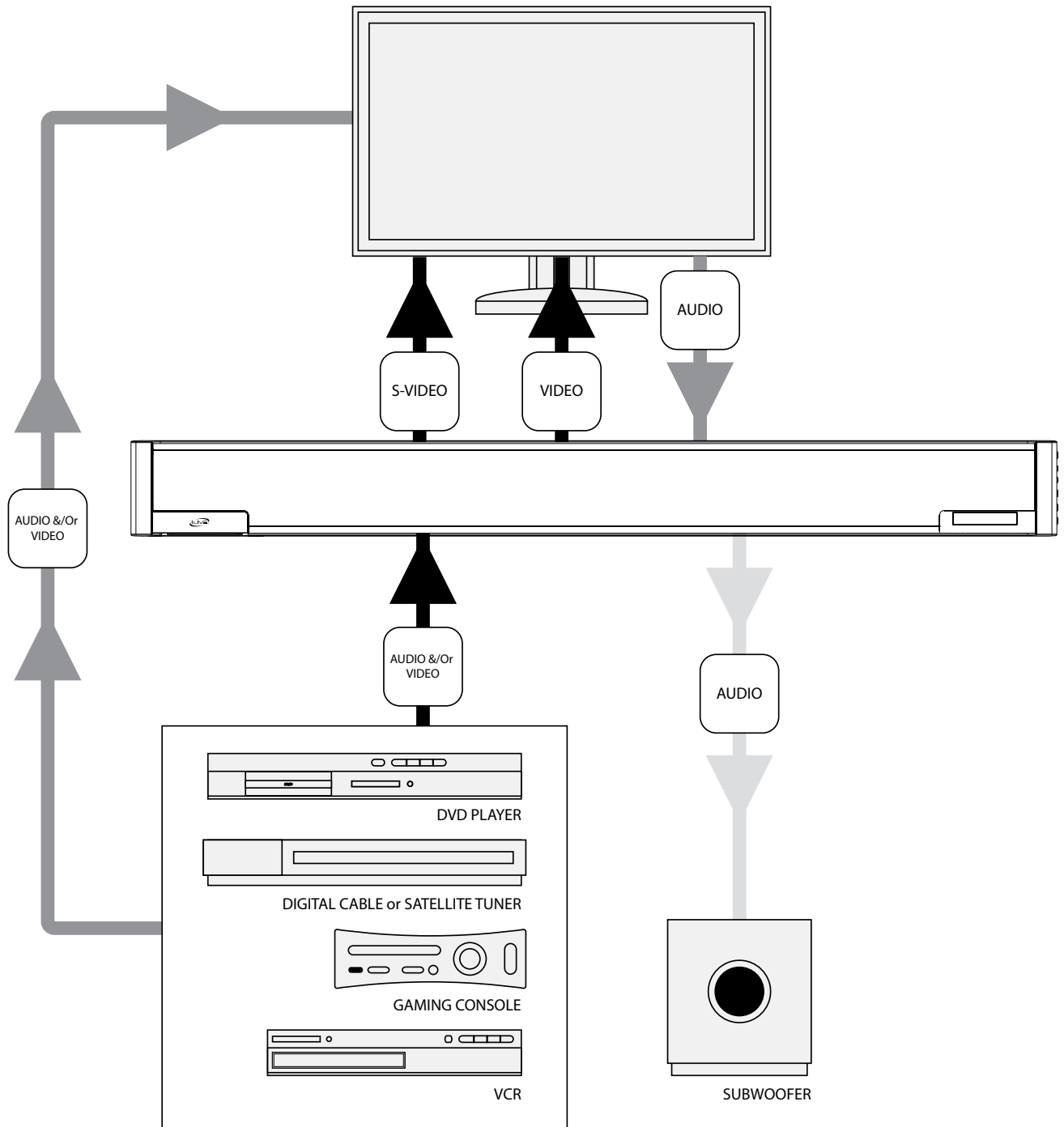
Requires an RCA audio cable (not included)

- 1 Connect an RCA audio cable to the **AUXILIARY INPUTS**. Connect the other end of the RCA cable to the audio outputs on a DVD player, stereo system, gaming system, television, etc.
- 2 Press the **POWER** button to turn the bar speaker on.
- 3 Press the **SOURCE** button to switch to AUX mode.
- 4 Use the native controls on the connected device to begin playing audio routed through the bar speaker.

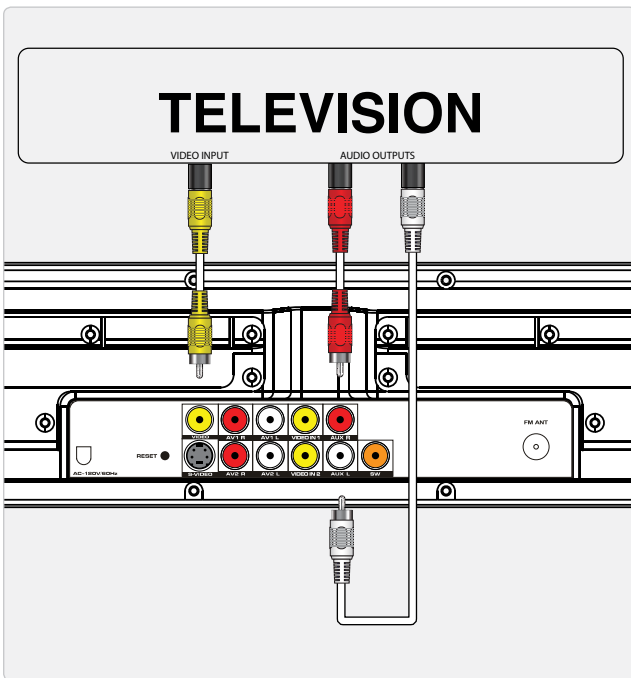


BASIC CONNECTIVITY

Below, you'll see a basic flow chart of how you can connect your home entertainment devices to the bar speaker, and in turn how the bar speaker connects to them.



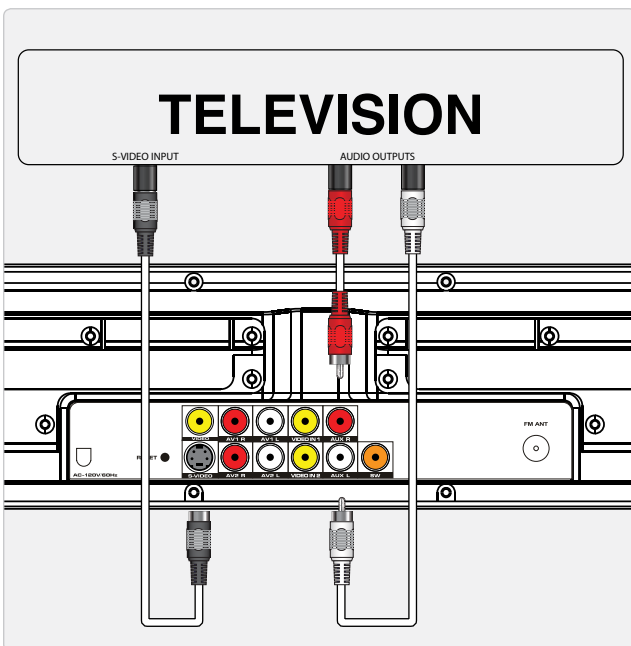
CONNECTING THE BAR SPEAKER TO A TELEVISION



Composite Video Output

Requires an RCA audio/video cable (not included).

- 1 Plug an RCA audio/video cable into the **COMPOSITE VIDEO OUTPUT** (yellow) on the bar speaker and the composite video input (yellow) on a television.
- 2 Plug the remaining plugs on the included RCA audio/video cable into the **RCA AUXILIARY AUDIO INPUTS** (red and white) on the bar speaker and the RCA stereo audio outputs (red and white) on a television.
- 3 Adjust the television's input setting to correspond to the inputs used when connecting the bar speaker.



S-Video Output

Requires an RCA audio cable (not included).

Requires an S-video cable (not included)

- 1 Plug an S-video cable into the **S-VIDEO OUTPUT** on the bar speaker and the S-video input on a television.
- 2 Plug an RCA audio cable into the **RCA AUXILIARY AUDIO INPUTS** (red and white) on the bar speaker and the RCA stereo audio outputs (red and white) on a television.
- 3 Adjust the television's input setting to correspond to the inputs used when connecting the bar speaker.

MOUNTING THE BAR SPEAKER TO A WALL

Important Notes

We recommend having this bar speaker professionally mounted.

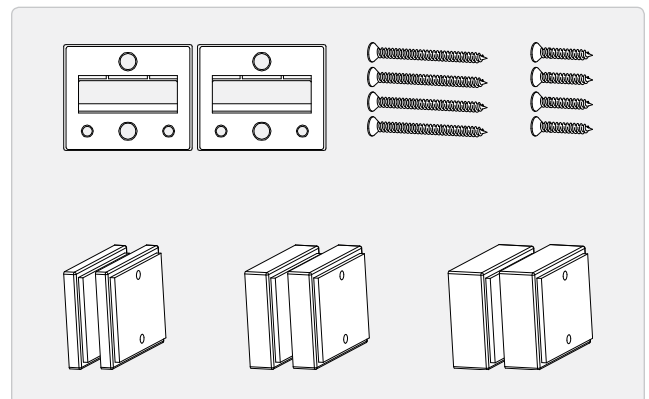
The included spacers should be used at your discretion to extend the face of the bar speaker farther from the wall. These are typically used when mounting the bar speaker under a television, and the face of the bar speaker needs to be flush with the face of the television.

Required Tools

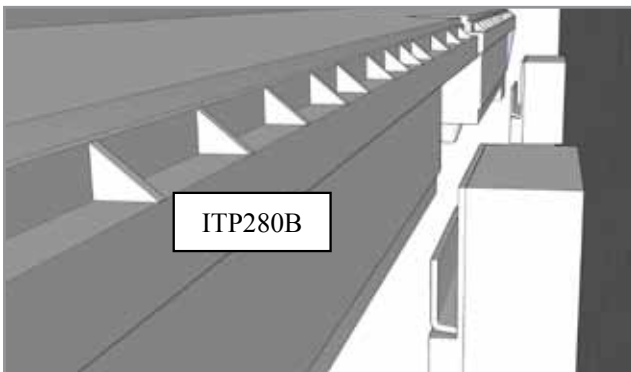
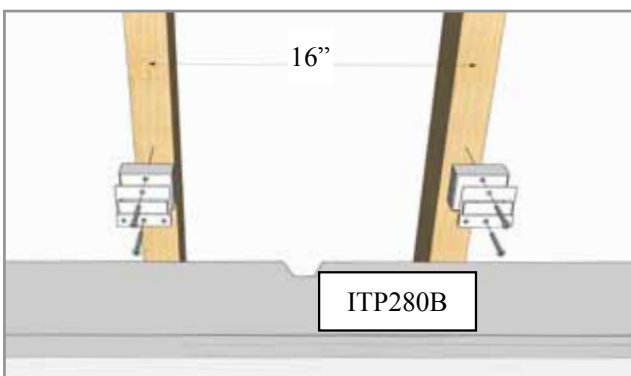
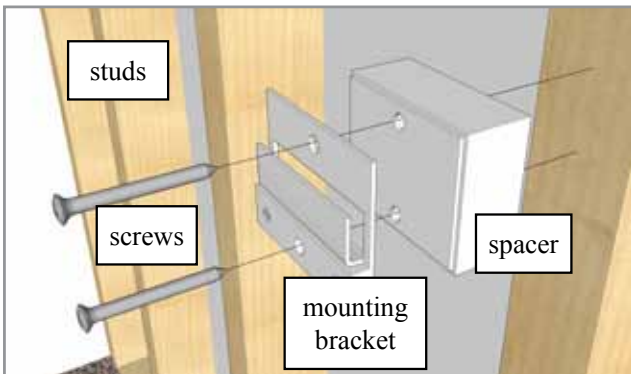
- Manual or Power Screwdriver
- Stud Finder
- Pencil
- Tape Measure
- Level

Included Hardware

- (2) Wall Mount Brackets
- (4) Long Screws
- (4) Short Screws
- (2) 1/4" Spacers
- (2) 1/2" Spacers
- (2) 3/4" Spacers



MOUNTING THE BAR SPEAKER TO A WALL



Getting Started

- 1 Use the **TAPE MEASURE** to decide how high you'd like to hang the bar speaker on the wall.
The bar speaker must be hung within 6 feet of an AC power outlet for the attached AC power cable to reach.
- 2 Use the **STUD FINDER** to locate 2 parallel wooden studs to screw the mounting brackets into.
- 3 Mark the wall at the center of the studs using the **PENCIL**.
- 4 Line the **LEVEL** up on both of your marks to make sure they are level. If they're not, adjust the marks as needed to make them level.
- 5 After you've double checked your markings, **DRILL** through the top hole on both mounting brackets directly into the marks you've made on the wall.
- 6 If you are using the brackets only and no spacers, use the included short screws. If you are using any of the spacers or combination of the spacers, use the long screws.
- 7 Use the **LEVEL** to level each of the hanging brackets, then drill the second screw into the bottom hole on both mounting brackets.
- 8 Slide the bar speaker onto the mounting brackets, and make sure there is a firm and stable connection before letting go of the bar speaker.
- 9 Finally, use the **LEVEL** to confirm that the bar speaker is level.

COMPANY INFORMATION

Green Initiative

Environmental Commitment to ‘Protect for Today and Sustain for Tomorrow’

2009 marks the official launch of DPI, Inc.’s corporate campaign for a greener and cleaner world. DPI and its four brands, iLive, WeatherX, Capri, and GPX, are building upon environmental initiatives introduced at all of their facilities to help formulate and sustain significant and important conservation efforts within its manufacturing and marketing communities. In addition to targeting and selecting energy efficient product features, and structuring ‘green office’ procedures, other initial program efforts include:

- Reduction of all packaging sizes
- Recyclable plastics for clamshell packages, with a plan to eventually replace plastic with recyclable paper
- Recycled fiber board in place of the polyfoam in packing boxes
- Recycled plastics in place of the virgin material in product construction

International Support

To download this User’s Guide in English, Spanish, or French, visit the support section at www.ilive.net.

Para transferir esta guía de usuario en inglés, español, o francés, visite la sección de la ayuda en www.ilive.net.

Pour télécharger ce guide de l’utilisateur en anglais, espagnol, ou français, visitez la section de soutien chez www.ilive.net.

Contact Information

Address: 2116 Carr Street, St. Louis MO, 63106



Phone: 1-314-621-2881

Fax: 1-314-588-1805

Email: customerservice@ilive.net

Parts Email: partsinfo@dpi-global.com

Website: www.ilive.net

 and  are trademarks of SRS Labs, Inc. TruSurround XT and WOW technologies are incorporated under license from SRS Labs, Inc.

© 2009 Digital Products International (DPI, Inc.) | All other trademarks appearing herein are the property of their respective owners. Specifications are subject to change without notice

Free Manuals Download Website

<http://myh66.com>

<http://usermanuals.us>

<http://www.somanuals.com>

<http://www.4manuals.cc>

<http://www.manual-lib.com>

<http://www.404manual.com>

<http://www.luxmanual.com>

<http://aubethermostatmanual.com>

Golf course search by state

<http://golfingnear.com>

Email search by domain

<http://emailbydomain.com>

Auto manuals search

<http://auto.somanuals.com>

TV manuals search

<http://tv.somanuals.com>