

15" TFT LCD Monitor POS Application



Where Versatility Meets Flexibility

L15AX series

Configuration		L15AX series
LCD Display		15" TFT active matrix panel
Pixel Pitch		0.297(H) x 0.297 (V) mm
Max. Resolution		XGA 1024 x 768
Contrast Ratio		400:1 (typical)
Brightness		250 Cd/m ² (typical)
Response Time (Tr+ Tf)		16 ms (typical)
Display Color		16.2M
Effective Display Area		304.1(H) x 228.1(V)
Viewing Angle (CR 5)		150° (H) x 125° (V)
Backlight		CCFL x 2
Lamp Life (hr)		30,000(typical)
Stand Base		Tilt down: 0°, Tilt up: +37°
Input Signals		Analogue VGA
Signal Connector	Analog	D-sub 15 pin (VGA)
	Digital	N/A
Scan Frequency		H. scan 31~60KHz, V. scan 60~75Hz
Audio System		2 built-in speakers
USB HUB		N/A
Touch Panel		RS232
Key Control		Power on/off with LED, Menu, Select, Adjustment (+, -)
Operating Condition	Temperature	5°C-35°C (41°F-95°F)
	Humidity	20%-80% (no condensation)
	Altitude	To 10,000 feet
Storage Condition	Temperature	-20°C-60°C (-4°F-140°F)
	Humidity	10%-90% (no condensation)
Power Adaptor		Universal power adaptor input AC 100 ~ 240V,50~60Hz; Output DC12V /3A
Power Consumption		36W
Dimensions (W x H x D)		380 x 325.9 x 90 mm
Carton Dimensions (W x H x D)		458 x 440 x 216 mm
Weight (Net)		4.3 Kg
Certification		UL, FCC, CE

* Specifications are subject to change without notice.

Features

- * High contrast color TFT LCD display supports resolution up to XGA 1024x768. Compatible with IBM VGA, VESA standards
- * Support DDC1/2B for Plug & Play compatibility
- * Advanced OSD control for picture quality adjustment.
- * Built-in audio system
- * VESA mounting
- * Hot key for AUTO adjustment
- * Stable photo frame stand for touch solution

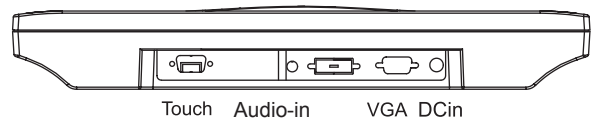
Optional Accessories

- * 3M / ELO / GTouch
- * Anti-Glare tempered glass
- * Customized touch solutions acceptable

Ordering Information

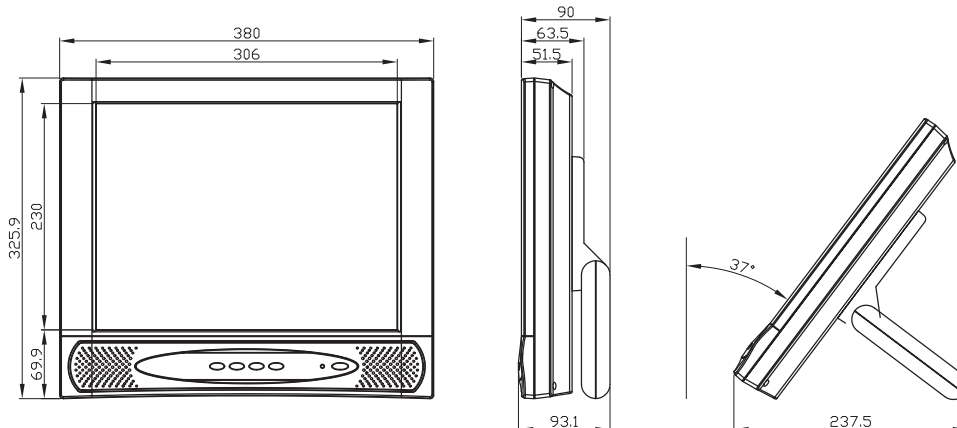
- * L15AX-JA 5 Wire Elo Compatible GTouch only

I/O Ports



Mechanical drawing

Unit : mm



Free Manuals Download Website

<http://myh66.com>

<http://usermanuals.us>

<http://www.somanuals.com>

<http://www.4manuals.cc>

<http://www.manual-lib.com>

<http://www.404manual.com>

<http://www.luxmanual.com>

<http://aubethermostatmanual.com>

Golf course search by state

<http://golfingnear.com>

Email search by domain

<http://emailbydomain.com>

Auto manuals search

<http://auto.somanuals.com>

TV manuals search

<http://tv.somanuals.com>