

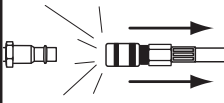


MODEL H6139 1/2" REVERSIBLE AIR DRILL INSTRUCTION SHEET

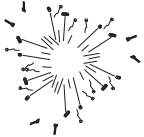
⚠ WARNING



EYE INJURY HAZARD!
Always wear safety glasses when using this tool to prevent serious personal



INJURY HAZARD!
Always disconnect tool from air to prevent unexpected operation during service.



EXPLOSION HAZARD!
Never exceed 120 PSI.



Figure 1. Model H6139.

Introduction

Features include a pistol grip with trigger switch, forward and reverse switch and 1/4" NPT female air inlet. The 1/2" chuck accepts drill bits down to 1/64" and includes a chuck key. The auxiliary handle can be positioned anywhere around the drill body.

Inventory

- A. Air Drill..... 1
- B. 1/4" NPT Quick Connect Fitting (male)..... 1
- C. Chuck Key..... 1
- D. Handle..... 1
- E. Lock Collar..... 1

Operation

Tool requires 90 PSI to operate correctly.

To improve tool lifespan, use a filter/lubricator/regulator as shown in **Figure 2**. Otherwise, lubricate daily with a couple drops of pneumatic tool oil directly into the air fitting as shown in **Figure 3**.

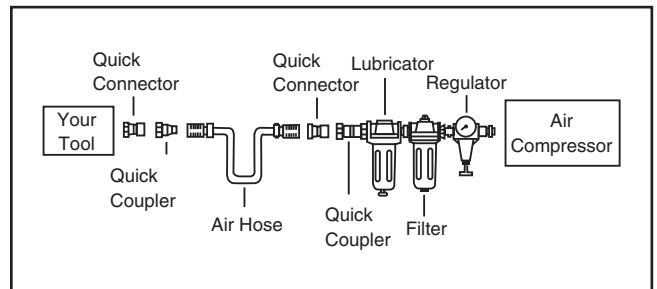


Figure 2. Installing your tool.

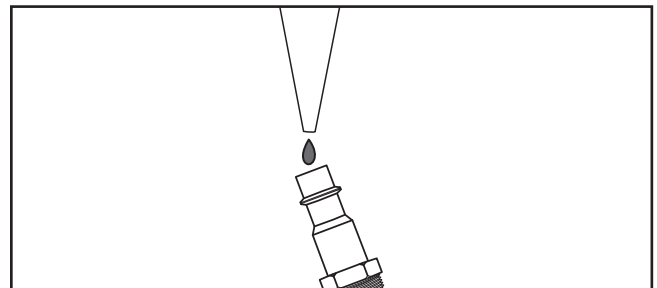


Figure 3. Lubricating directly into air fitting.

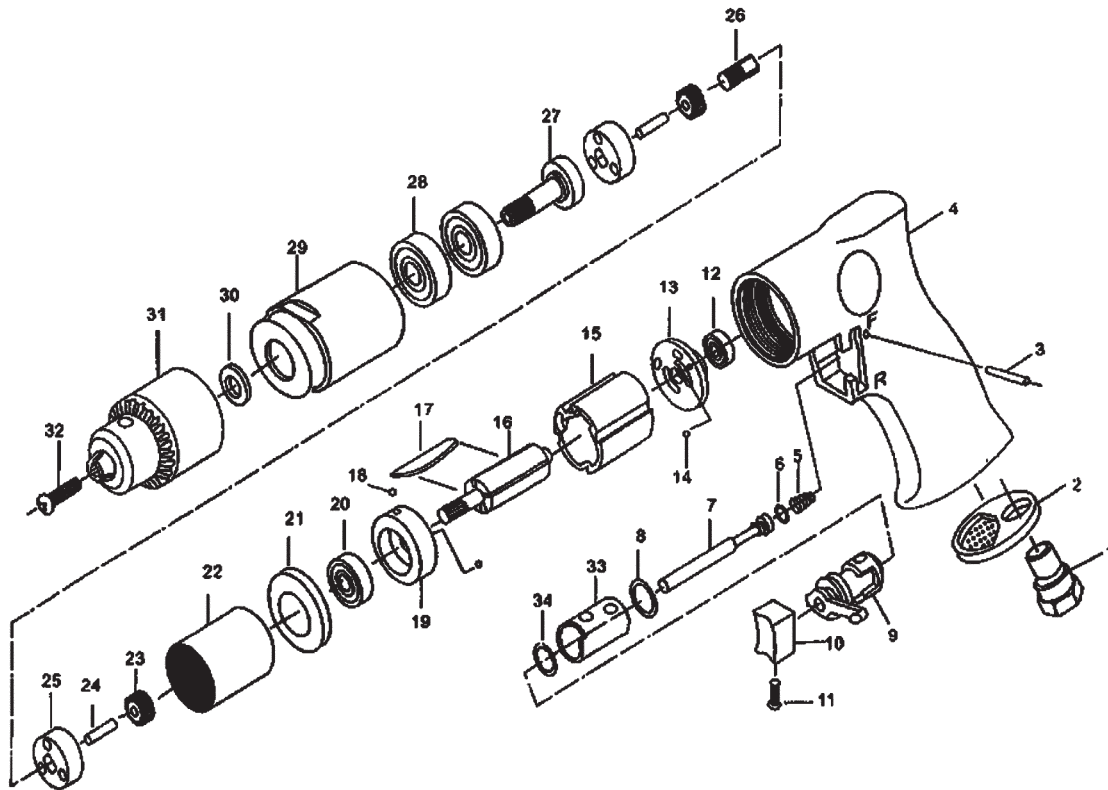
If you need help with your new pneumatic tool, call our Tech Support at: (570) 546-9663.

COPYRIGHT © FEBRUARY, 2006 BY GRIZZLY INDUSTRIAL, INC.

WARNING: NO PORTION OF THIS MANUAL MAY BE REPRODUCED IN ANY SHAPE OR FORM WITHOUT THE WRITTEN APPROVAL OF GRIZZLY INDUSTRIAL, INC.

#KM7955 PRINTED IN CHINA

H6139 Parts Breakdown and List



REF	PART #	DESCRIPTION
1	PH6139001	AIR INLET
2	PH6139002	EXHAUST DEFLECTOR
3	PH6139003	SPRING PIN
4	PH6139004	HOUSING
5	PH6139005	SPRING
6	PH6139006	O-RING
7	PH6139007	VALVE STEM
8	PH6139008	O-RING
9	PH6139009	REVERSE LEVER
10	PH6139010	TRIGGER
11	PH6139011	SCREW
12	PH6139012	BEARING
13	PH6139013	REAR PLATE
14	PH6139014	STEEL BALL
15	PH6139015	CYLINDER
16	PH6139016	ROTOR
17	PH6139017	ROTOR BLADE

REF	PART #	DESCRIPTION
18	PH6139018	STEEL BALL
19	PH6139019	FRONT PLATE
20	PH6139020	BEARING
21	PH6139021	WASHER
22	PH6139022	GEAR LINK
23	PH6139023	GEAR
24	PH6139024	PIN
25	PH6139025	GEAR PLATE
26	PH6139026	GEAR SHAFT
27	PH6139027	SHAFT
28	PH6139028	BEARING
29	PH6139029	CLAMP NUT
30	PH6139030	WASHER
31	PH6139031	DRILL CHUCK
32	PH6139032	CHUCK SCREW
33	PH6139033	BUSHING
34	PH6139034	O-RING

Free Manuals Download Website

<http://myh66.com>

<http://usermanuals.us>

<http://www.somanuals.com>

<http://www.4manuals.cc>

<http://www.manual-lib.com>

<http://www.404manual.com>

<http://www.luxmanual.com>

<http://aubethermostatmanual.com>

Golf course search by state

<http://golfingnear.com>

Email search by domain

<http://emailbydomain.com>

Auto manuals search

<http://auto.somanuals.com>

TV manuals search

<http://tv.somanuals.com>