

# *Grizzly* *Industrial, Inc.*®

## MODEL G0703 1½ HP CYCLONE DUST COLLECTOR OWNER'S MANUAL



COPYRIGHT © AUGUST, 2009 BY GRIZZLY INDUSTRIAL, INC. REVISED NOVEMBER, 2009 (TR)  
**WARNING: NO PORTION OF THIS MANUAL MAY BE REPRODUCED IN ANY SHAPE  
OR FORM WITHOUT THE WRITTEN APPROVAL OF GRIZZLY INDUSTRIAL, INC.**  
(FOR MODELS MANUFACTURED SINCE 8/09) #TRCRBLTSJB11940 PRINTED IN TAIWAN

# **WARNING!**

**This manual provides critical safety instructions on the proper setup, operation, maintenance and service of this machine/equipment.**

**Failure to read, understand and follow the instructions given in this manual may result in serious personal injury, including amputation, electrocution or death.**

**The owner of this machine/equipment is solely responsible for its safe use. This responsibility includes but is not limited to proper installation in a safe environment, personnel training and usage authorization, proper inspection and maintenance, manual availability and comprehension, application of safety devices, blade/cutter integrity, and the usage of personal protective equipment.**

**The manufacturer will not be held liable for injury or property damage from negligence, improper training, machine modifications or misuse.**

# **WARNING!**

**Some dust created by power sanding, sawing, grinding, drilling, and other construction activities contains chemicals known to the State of California to cause cancer, birth defects or other reproductive harm. Some examples of these chemicals are:**

- **Lead from lead-based paints.**
- **Crystalline silica from bricks, cement and other masonry products.**
- **Arsenic and chromium from chemically-treated lumber.**

**Your risk from these exposures varies, depending on how often you do this type of work. To reduce your exposure to these chemicals: Work in a well ventilated area, and work with approved safety equipment, such as those dust masks that are specially designed to filter out microscopic particles.**

# Table of Contents

<b>INTRODUCTION.....</b>	<b>4</b>
Manual Accuracy.....	4
Contact Info.....	4
Machine Description.....	4
Identification.....	5
Machine Data Sheet.....	6
<b>SECTION 1: SAFETY.....</b>	<b>8</b>
Safety Instructions for Machinery.....	8
Additional Safety Instructions for Dust Collectors.....	10
<b>SECTION 2: CIRCUIT REQUIREMENTS.....</b>	<b>11</b>
110/220V Operation.....	11
<b>SECTION 3: SETUP.....</b>	<b>12</b>
Items Needed for Setup.....	12
Unpacking.....	12
Inventory.....	13
Site Considerations.....	14
Assembly.....	15
Test Run.....	19
<b>SECTION 4: COLLECTION SYSTEM.....</b>	<b>20</b>
System Setup.....	20
Duct Material.....	20
<b>SECTION 5: OPERATIONS.....</b>	<b>23</b>
General Operation.....	23
Remote Control Operation.....	24
<b>SECTION 6: ACCESSORIES.....</b>	<b>25</b>
<b>SECTION 7: MAINTENANCE.....</b>	<b>27</b>
Schedule.....	27
Emptying Drum.....	27
Cleaning Filter.....	27
<b>SECTION 8: SERVICE.....</b>	<b>28</b>
Troubleshooting.....	28
<b>SECTION 9: WIRING.....</b>	<b>30</b>
Wiring Safety Instructions.....	30
110V Wiring Diagram.....	31
220V Wiring Diagram.....	32
Electrical Component Locations.....	33
<b>SECTION 10: PARTS.....</b>	<b>34</b>
Main.....	34
Machine Labels.....	36




# INTRODUCTION

## Manual Accuracy

We are proud to offer this manual with your new machine! We've made every effort to be exact with the instructions, specifications, drawings, and photographs of the machine we used when writing this manual. However, sometimes errors do happen and we apologize for them.

Also, owing to our policy of continuous improvement, **your machine may not exactly match the manual**. If you find this to be the case, and the difference between the manual and machine leaves you in doubt, check our website for the latest manual update or call technical support for help.

Before calling, find the manufacture date of your machine by looking at the date stamped into the machine ID label (see below). This will help us determine if the manual version you received matches the manufacture date of your machine.

		MODEL GXXXX MACHINE NAME	
SPECIFICATIONS		▲ WARNING!	
Motor:		ing this machine: operation. s and respirator. sted/setup and suit before starting. 4. make sure the motor has stopped and disconnect power before adjustments, maintenance, or service. 5. DO NOT expose to rain or dampness. 6. DO NOT modify this machine in any way. 7. DO NOT remove safety guards. 8. Never leave machine running unattended. 9. DO NOT operate under the influence of drugs or alcohol. 10. Maintain machine carefully to prevent accidents.	
Specification:			
Specification:			
Specification:			
Weight:			
<input type="text"/>	Date		
<input type="text"/>	Serial Number		
Manufactured for Grizzly in Taiwan			
Manufacture Date of Your Machine			
An arrow points from the 'Date' field to the 'Manufacture Date of Your Machine' label.			

For your convenience, we post all available manuals and manual updates for free on our website at [www.grizzly.com](http://www.grizzly.com). Any updates to your model of machine will be reflected in these documents as soon as they are complete.

## Contact Info

We stand behind our machines. If you have any service questions, parts requests or general questions about the machine, please call or write us at the location listed below.

Grizzly Industrial, Inc.  
1203 Lycoming Mall Circle  
Muncy, PA 17756  
Phone: (570) 546-9663  
Fax: (800) 438-5901  
E-Mail: [techsupport@grizzly.com](mailto:techsupport@grizzly.com)

If you have any comments regarding this manual, please write to us at the address below:

Grizzly Industrial, Inc.  
c/o Technical Documentation Manager  
P.O. Box 2069  
Bellingham, WA 98227-2069  
Email: [manuals@grizzly.com](mailto:manuals@grizzly.com)

## Machine Description

The Model G0703 is a 2-stage cyclone dust collector designed to capture the dust from wood-working machines.

The pleated cartridge filter provides a large surface area and crank-operated internal paddles knock loose caked-on dust to maintain filter efficiency.

A remote control allows the dust collector to be turned on and off from across the room and the collection drum sits on casters to provide easy dumping.



# Identification

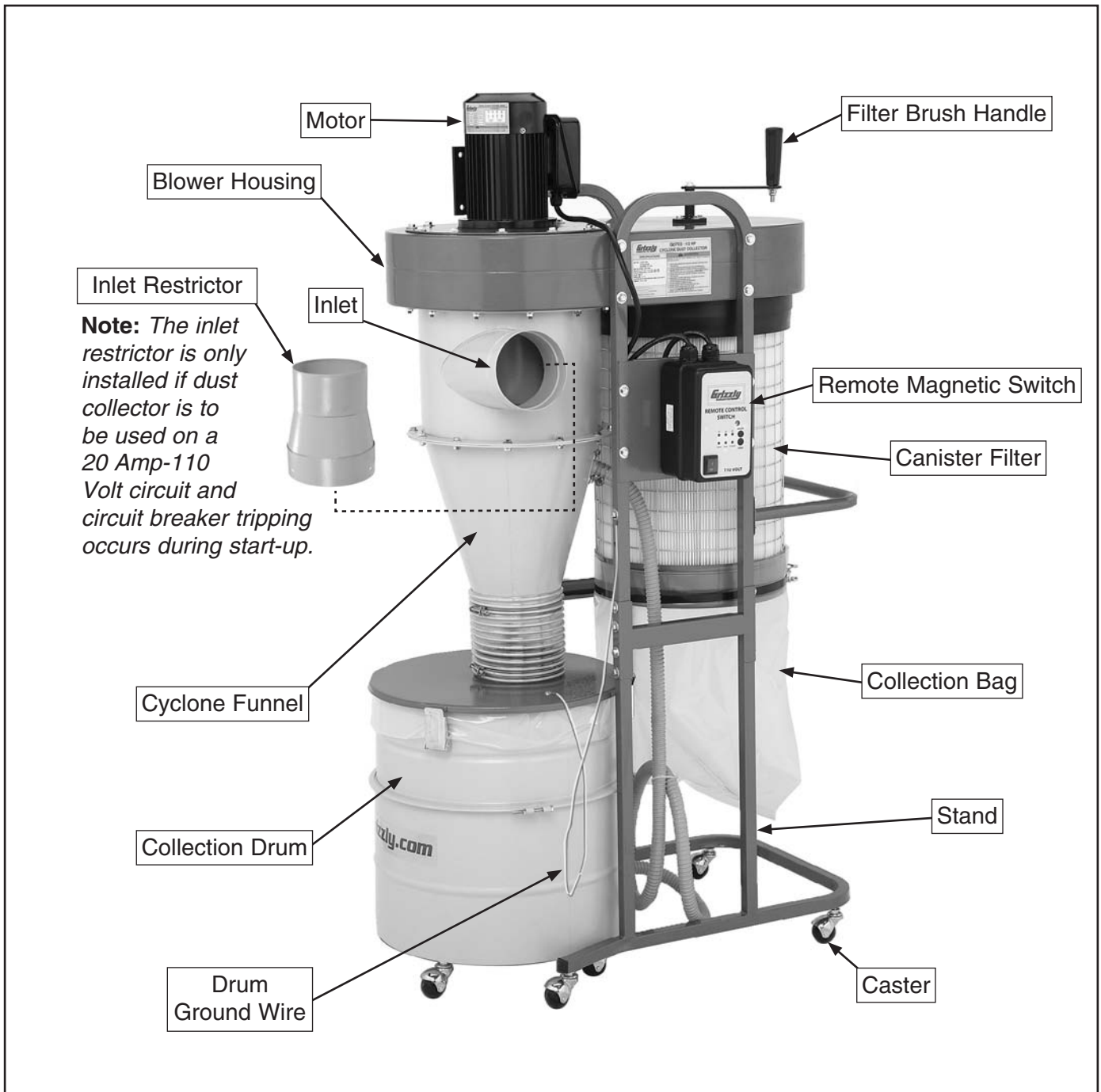
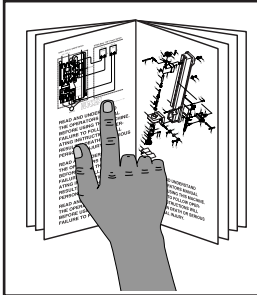


Figure 1. Identification.

	<p><b>⚠ WARNING</b></p> <p>To reduce the risk of serious injury when using this machine, read and understand this entire manual before beginning any operations.</p>
---	--





# MACHINE DATA SHEET

Customer Service #: (570) 546-9663 • To Order Call: (800) 523-4777 • Fax #: (800) 438-5901

## MODEL G0703 1-1/2 HP CYCLONE DUST COLLECTOR

### Product Dimensions:

Weight ..... 177 lbs.  
 Length/Width/Height ..... 38¼" x 23¼" x 65½"  
 Foot Print (Length/Width)..... 38¼" x 23½"

### Shipping Dimensions:

Type ..... Cardboard  
 Content..... Machine  
 Weight..... 210 lbs.  
 Length/Width/Height..... 37" x 27" x 45"

### Electrical:

Power Source ..... 110V or 220V Single-Phase  
 Switch..... Magnetic Switch with Thermal Overload Protection  
 Switch Voltage ..... 110V  
 Cord Length ..... 10½ ft.  
 Cord Gauge ..... 12 gauge  
 Recommended Circuit Size ..... 30A @ 110V, 15A @ 220V  
 Plug Included ..... No  
 Recommended Plug Type @ 110V ..... NEMA L5-30  
 Recommended Plug Type @ 220V ..... NEMA 6-15

### Motor:

Type ..... TEFC Class "F"  
 Horsepower..... 1½ HP  
 Voltage..... 110V/220V  
 Prewired..... 110V  
 Phase ..... Single  
 Amps (w/6" Inlet)..... 18.8A at 110V, 9.4V at 220V  
 Amps (w/5" Inlet Installed) ..... 15.8A at 110V, 7.9V at 220V  
 Speed..... 3450 RPM  
 Cycle ..... 60 Hz  
 Number Of Speeds ..... 1  
 Power Transfer ..... Direct Drive  
 Bearings ..... Shielded and Permanently Sealed

### Main Specifications:

#### Operation

Air Suction Capacity (30A, w/o 5" Port) ..... 775 CFM  
 Static Pressure at Maximum Air Suction Capacity (30A, 110V Circuit w/o 5" Port) ..... 1.80"  
 Maximum Static Pressure (30A, 110V Circuit w/o Port) ..... 10"  
 Static Pressure at Maximum Air Suction Capacity (20A, 110V Circuit w/5" Port) ..... 2.90"  
 Air Suction Capacity (20A, 110V Circuit w/5" Port)..... 695 CFM  
 Maximum Static Pressure (20A, 110V Circuit w/5" Port) ..... 9.8"  
 Intake Hole Size ..... 6" with Included 5" Port  
 Material Collection Capacity..... 30 Gallons  
 Canister Filtration ..... 0.2–2 Micron



**Bag Information**

Number of Lower Bags .....	1
Lower Bag Capacity .....	2.66 cu. ft.
Lower Bag Diameter.....	15 <sup>3</sup> / <sub>4</sub> "
Lower Bag Length .....	23 <sup>5</sup> / <sub>8</sub> "

**Canister Information**

Number of Canister Filters .....	1
Canister Filter Diameter .....	15 <sup>3</sup> / <sub>4</sub> "
Canister Filter Height.....	19 <sup>3</sup> / <sub>4</sub> "
Filter Surface Area .....	6975 sq. in.

**Impeller Information**

Impeller Type.....	Radial Fin
Impeller Size.....	13 <sup>1</sup> / <sub>2</sub> "
Impeller Blade Thickness .....	0.091"

**Construction**

Lower Bag .....	Clear Plastic
Canister .....	Spun Bond Polyester
Base .....	Steel
Frame .....	Steel
Impeller.....	Steel, Riveted
Impeller Housing .....	19 Gauge Steel
Body .....	18 Gauge Steel
Collection Drum.....	Steel

**Other**

Height with Bags Inflated .....	65 <sup>1</sup> / <sub>2</sub> "
---------------------------------	----------------------------------

**Other Specifications:**

ISO Factory .....	Yes
Country Of Origin .....	Taiwan
Warranty.....	1 Year
Serial Number Location .....	Machine ID Label on Impeller Housing
Assembly Time .....	1 Hour
Sound Rating .....	83 dB

**Features:**

- Steel collection drum with casters for easy dust disposal
- Class "F" motor
- Dual pleated filter with cleaning brushes to maximize air flow




# SECTION 1: SAFETY


## WARNING

### For Your Own Safety, Read Instruction Manual Before Operating this Machine

The purpose of safety symbols is to attract your attention to possible hazardous conditions. This manual uses a series of symbols and signal words intended to convey the level of importance of the safety messages. The progression of symbols is described below. Remember that safety messages by themselves do not eliminate danger and are not a substitute for proper accident prevention measures.

 **DANGER** Indicates an imminently hazardous situation which, if not avoided, WILL result in death or serious injury.

 **WARNING** Indicates a potentially hazardous situation which, if not avoided, COULD result in death or serious injury.

 **CAUTION** Indicates a potentially hazardous situation which, if not avoided, MAY result in minor or moderate injury. It may also be used to alert against unsafe practices.

**NOTICE** This symbol is used to alert the user to useful information about proper operation of the machine.

## WARNING

### Safety Instructions for Machinery

- 1. READ ENTIRE MANUAL BEFORE STARTING.** Operating machine before reading the manual greatly increases the risk of injury.
- 2. ALWAYS USE ANSI APPROVED SAFETY GLASSES WHEN OPERATING MACHINERY.** Everyday eyeglasses only have impact resistant lenses—they are NOT safety glasses.
- 3. ALWAYS WEAR A NIOSH APPROVED RESPIRATOR WHEN OPERATING MACHINERY THAT PRODUCES DUST.** Most types of dust (wood, metal, etc.) can cause severe respiratory illnesses.
- 4. ALWAYS USE HEARING PROTECTION WHEN OPERATING MACHINERY.** Machinery noise can cause permanent hearing loss.
- 5. WEAR PROPER APPAREL. DO NOT** wear loose clothing, gloves, neckties, rings, or jewelry that can catch in moving parts. Wear protective hair covering to contain long hair and wear non-slip footwear.
- 6. NEVER OPERATE MACHINERY WHEN TIRED OR UNDER THE INFLUENCE OF DRUGS OR ALCOHOL.** Be mentally alert at all times when running machinery.





# WARNING

## Safety Instructions for Machinery

7. **ONLY ALLOW TRAINED AND PROPERLY SUPERVISED PERSONNEL TO OPERATE MACHINERY.** Make sure operation instructions are safe and clearly understood.
8. **KEEP CHILDREN/VISITORS AWAY.** Keep all children and visitors away from machinery. When machine is not in use, disconnect it from power, lock it out, or disable the switch to make it difficult for unauthorized people to start the machine.
9. **UNATTENDED OPERATION.** Leaving machine unattended while its running greatly increases the risk of an accident or property damage. Turn machine **OFF** and allow all moving parts to come to a complete stop before walking away.
10. **DO NOT USE IN DANGEROUS ENVIRONMENTS.** DO NOT use machinery in damp, wet locations, or where any flammable or noxious fumes may exist.
11. **KEEP WORK AREA CLEAN AND WELL LIGHTED.** Clutter and dark shadows may cause accidents.
12. **USE A GROUNDED POWER SUPPLY RATED FOR THE MACHINE AMPERAGE.** Grounded cords minimize shock hazards. Operating machine on an incorrect size of circuit increases risk of fire.
13. **ALWAYS DISCONNECT FROM POWER SOURCE BEFORE SERVICING MACHINERY.** Make sure switch is in OFF position before reconnecting.
14. **MAINTAIN MACHINERY WITH CARE.** Keep blades sharp and clean for best and safest performance. Follow instructions for lubricating and changing accessories.
15. **MAKE SURE GUARDS ARE IN PLACE AND WORK CORRECTLY BEFORE USING MACHINERY.**
16. **REMOVE CHUCK KEYS OR ADJUSTING TOOLS.** Make a habit of never leaving chuck keys or other adjustment tools in/on the machine—especially near spindles!
17. **DAMAGED MACHINERY.** Check for binding or misaligned parts, broken parts, loose bolts, other conditions that may impair machine operation. Always repair or replace damaged parts before operation.
18. **DO NOT FORCE MACHINERY.** Work at the speed for which the machine or accessory was designed.
19. **SECURE WORKPIECE.** Use clamps or a vise to hold the workpiece when practical. A secured workpiece protects your hands and frees both hands to operate the machine.
20. **DO NOT OVERREACH.** Maintain stability and balance at all times when operating machine.
21. **MANY MACHINES CAN EJECT WORKPIECES TOWARD OPERATOR.** Know and avoid conditions that cause the workpiece to "kickback."
22. **STABLE MACHINE.** Machines that move during operations greatly increase the risk of injury and loss of control. Verify machines are stable/secure and mobile bases (if used) are locked before starting.
23. **CERTAIN DUST MAY BE HAZARDOUS** to the respiratory systems of people and animals, especially fine dust. Be aware of the type of dust you are exposed to and always wear a respirator designed to filter that type of dust.
24. **EXPERIENCING DIFFICULTIES.** If at any time you are experiencing difficulties performing the intended operation, stop using the machine! Contact our Technical Support Department at (570) 546-9663.



# **WARNING**

## **Additional Safety Instructions for Dust Collectors**

- 1. MACHINE USE.** This machine is intended to only collect wood dust and chips from woodworking machines. Do not use this dust collector as a vacuum or with machines producing dust/chips from metal, asbestos products, lead paint, silica or any products that are not natural wood or man-made wood products, such as plywood or particle boards.
- 2. WEAR RESPIRATOR.** This machine may blow fine dust particles into the air during operation causing a hazard to the lungs. Always wear an approved respirator during machine operation and for a short time after.
- 3. SUSPENDED DUST PARTICLES AND IGNITION SOURCES.** Do not operate the dust collector in an area where explosion risks are high, such as areas near pilot lights or open flames.
- 4. DUST HAZARD.** Be aware that certain woods may cause an allergic reaction in people and animals, especially when exposed to fine dust. Make sure you know what type of wood dust you will be exposed to in case there is a possibility of an allergic reaction.
- 5. AVOIDING FIRES.** Do not allow steel particles to strike the impeller—this may produce a spark, which can smolder in the wood dust for a long time before the fire or flame is detected. If you accidentally collect metal during operation, immediately turn **OFF** the dust collector, disconnect it from power, and wait for all moving parts to stop. Remove the collection bags and empty the dust into an approved air tight metal container. Prevent any chance of accidentally collecting metal again before resuming operations.
- 6. IMPELLER SAFETY.** Do not place your hands or tools near the open inlet during operation for any reason. The powerful suction could easily cause accidental contact with the impeller which will cause serious personal injury or damage to the machine.
- 7. EMPTYING DUST.** When emptying dust from the collection bags or drum, wear a respirator and safety glasses. Empty dust away from ignition sources and into an approved container, then dispose of properly.
- 8. SAFE SERVICING.** Disconnect the machine from power and allow the impeller to come to a complete stop before service, maintenance, or adjustments.

### **WARNING**

Like all machinery there is potential danger when operating this machine. Accidents are frequently caused by lack of familiarity or failure to pay attention. Use this machine with respect and caution to decrease the risk of operator injury. If normal safety precautions are overlooked or ignored, serious personal injury may occur.

### **CAUTION**

No list of safety guidelines can be complete. Every shop environment is different. Always consider safety first, as it applies to your individual working conditions. Use this and other machinery with caution and respect. Failure to do so could result in serious personal injury, damage to equipment, or poor work results.



# SECTION 2: CIRCUIT REQUIREMENTS

## 110/220V Operation

### **!WARNING**

Serious personal injury could occur if you connect the machine to power before completing the setup process. **DO NOT** connect the machine to the power until instructed later in this manual.



### **!WARNING**

Electrocution or fire could result if machine is not grounded and installed in compliance with electrical codes. Compliance **MUST** be verified by a qualified electrician!

### Full Load Amperage Draw

Amp Draw at 110V (prewired)..... 18.8 Amps  
Amp Draw at 220V .....9.4 Amps

### Power Supply Circuit Requirements

The power supply circuit for your machine **MUST** be grounded and rated for the amperage given below. Never replace a circuit breaker on an existing circuit with one of higher amperage without consulting a qualified electrician to ensure compliance with wiring codes. **If you are unsure about the wiring codes in your area or you plan to connect your machine to a shared circuit, consult a qualified electrician.**

#### Without Inlet Restrictor Installed:

Minimum Circuit Size (110V)..... 30 Amps  
Minimum Circuit Size (220V)..... 15 Amps

#### With Inlet Restrictor Installed:

Minimum Circuit Size (110V)..... 20 Amps  
Minimum Circuit Size (220V)..... 15 Amps

### Power Connection Device

The type of plug required to connect your machine to power depends on the type of service you currently have or plan to install. We recommend using one of the plugs shown in **Figure 2**.

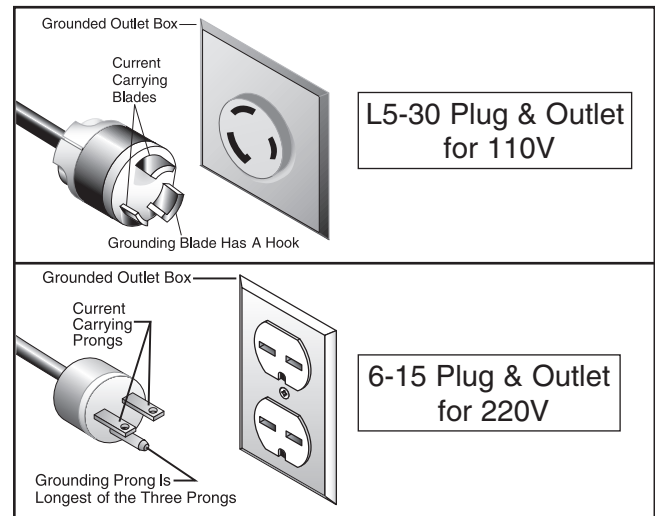


Figure 2. Plug types.

### Extension Cords

Using extension cords may reduce the life of the motor. Instead, place the machine near a power source. If you must use an extension cord:

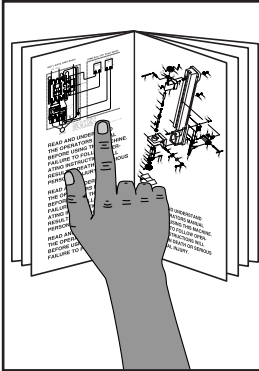
- For 110V, use at least a 12 gauge cord that does not exceed 50 feet in length.
- For 220V, use at least a 14 gauge cord that does not exceed 50 feet in length.
- The extension cord must have a ground wire and plug pin.

### **NOTICE**

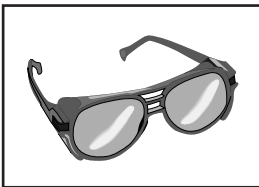
The Model G0703 is prewired for 110V. If you plan to operate the machine at 220V, you must replace the entire magnetic switch box with the optional 220V switch box (shown in the parts breakdown on **Page 34**), and rewire the motor at the junction box, as shown in the wiring diagram on **Page 32**.



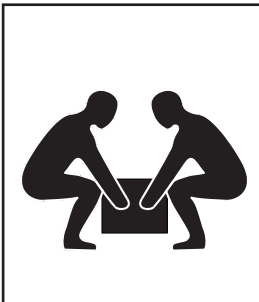
# SECTION 3: SETUP



**!WARNING**  
This machine presents serious injury hazards to untrained users. Read through this entire manual to become familiar with the controls and operations before starting the machine!



**!WARNING**  
Wear safety glasses during the entire setup process!



**!WARNING**  
This machine and its components are very heavy. Get lifting help or use power lifting equipment such as a forklift to move heavy items.

## Items Needed for Setup

The following items are needed to complete the setup process, but are not included with your machine:

Description	Qty
• Assistants .....	1
• Safety Glasses .....	For Each Person
• Wrench 1/2" .....	2
• Wrench 9/16" .....	1
• Phillips Head Screwdriver #2 .....	1

## Unpacking

The Model G0703 was carefully packed when it left our warehouse. If you discover the machine is damaged after you have signed for delivery, *please immediately call Customer Service at (570) 546-9663 for advice.*

Save the containers and all packing materials for possible inspection by the carrier or its agent. *Otherwise, filing a freight claim drum be difficult.*

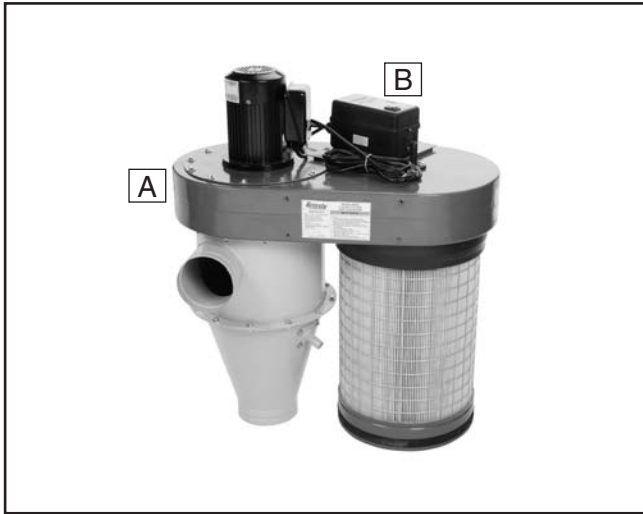
When you are completely satisfied with the condition of your shipment, inventory the contents.



# Inventory

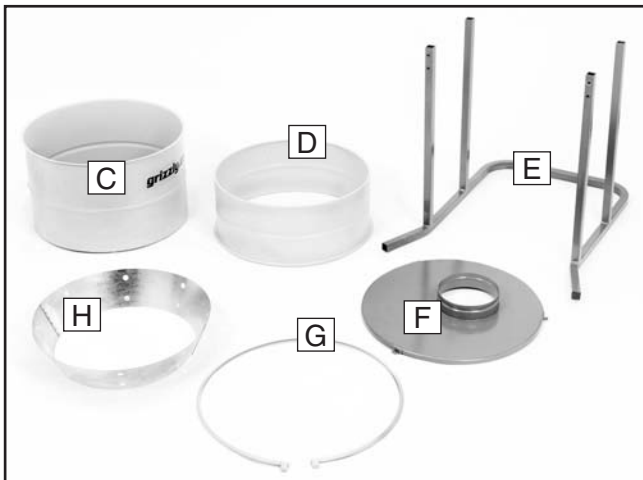
After all the parts have been removed from the boxes, you should have the following items:

<b>Machine Inventory (Figure 3):</b>		<b>Qty</b>
<b>A.</b>	Dust Collector & Filter Assembly.....	1
<b>B.</b>	Control Box Assembly.....	1



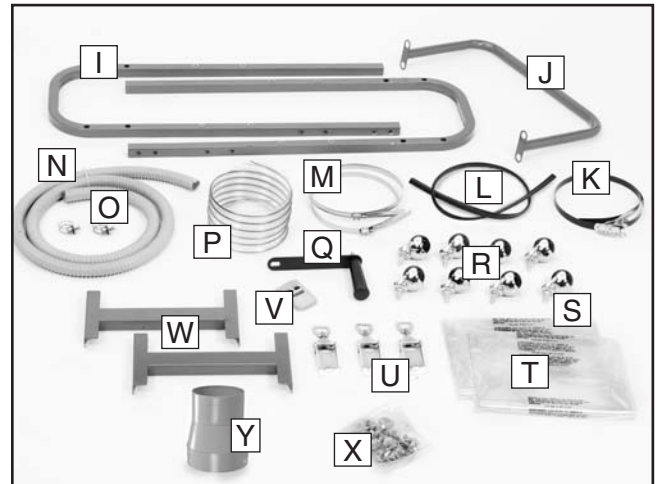
**Figure 3.** Machine inventory.

<b>Stand and Drum Inventory (Figure 4):</b>		<b>Qty</b>
<b>C.</b>	Main Collection Drum.....	1
<b>D.</b>	Collection Drum Extension.....	1
<b>Note:</b> The drum extension is shipped inside of the main dust collection drum.		
<b>E.</b>	Stand.....	1
<b>F.</b>	Collection Drum Lid.....	1
<b>G.</b>	Clamp Ring.....	1
<b>H.</b>	Collection Drum Bag Seat.....	1



**Figure 4.** Stand and drum inventory.

<b>General Inventory (Figure 5):</b>		<b>Qty</b>
<b>I.</b>	Upper Rails .....	2
<b>J.</b>	Pull Handle .....	1
<b>K.</b>	Spring Clamp.....	1
<b>L.</b>	Rubber Seal 1.6 M .....	1
<b>M.</b>	Hose Clamps 7" .....	2
<b>N.</b>	Drum Suction Hose 1".....	1
<b>O.</b>	Hose Clamp 1" .....	2
<b>P.</b>	Flexible Hose 7" .....	1
<b>Q.</b>	Hand Crank .....	1
<b>R.</b>	Caster Wheels.....	8
<b>S.</b>	Drum Dust Collection Bags.....	2
<b>T.</b>	Filter Element Dust Collection Bags.....	2
<b>U.</b>	Collection Drum Lid Latches .....	3
<b>V.</b>	Hand-Held Controller .....	1
<b>W.</b>	H-Brackets.....	2
<b>Y.</b>	Inlet Restrictor 6" X 5" .....	1
<b>X.</b>	Hardware Bag .....	1
	—Phillips Head Screws #10-24 x 3/8" .....	6
	—Hex Bolts 5/16"-18 x 1 1/2" .....	8
	—Hex Bolts 5/16"-18 x 3/4" .....	26
	—Hex Nuts 3/8"-16 .....	4
	—Hex Nuts #10-24.....	6
	—Flat Washers 3/8" .....	4
	—Flat Washers 5/16".....	33
	—Lock Washers 3/8" .....	8
	—Tap Screw .....	3



**Figure 5.** General inventory.

If any nonproprietary parts are missing (e.g. a nut or a washer), we will gladly replace them; or for the sake of expediency, replacements drum be obtained at your local hardware store.

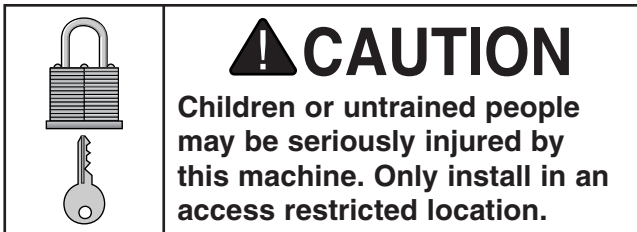
# Site Considerations

## Weight Load

Refer to the **Machine Data Sheet** for the weight of your machine. Make sure that the surface upon which the machine is placed will bear the weight of the machine, additional equipment that may be installed on the machine, and the heaviest workpiece that will be used. Additionally, consider the weight of the operator and any dynamic loading that may occur when operating the machine.

## Space Allocation

Consider the largest size of workpiece that will be processed through this machine and provide enough space around the machine for adequate operator material handling or the installation of auxiliary equipment. With permanent installations, leave enough space around the machine to open or remove doors/covers as required by the maintenance and service described in this manual. **See below for working clearances.**



## Physical Environment

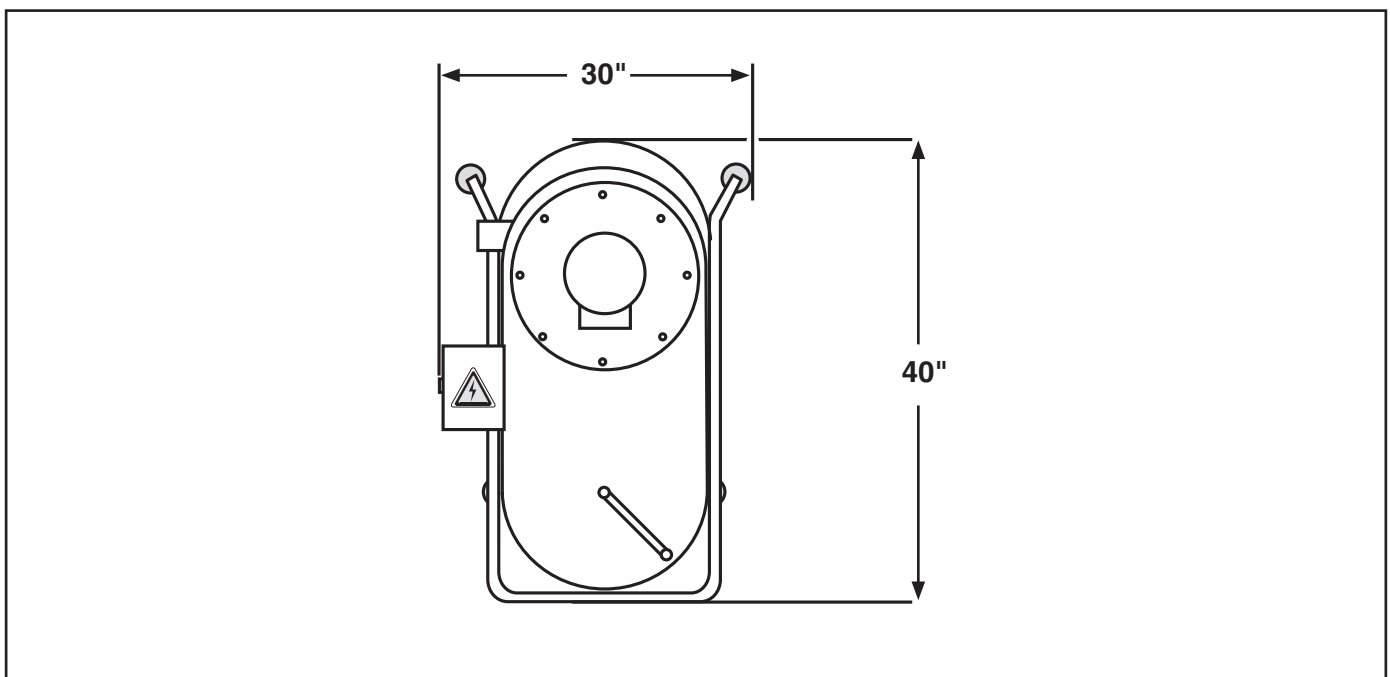
The physical environment where your machine is operated is important for safe operation and the longevity of its components. For best results, operate this machine in a dry environment that is free from excessive moisture, hazardous chemicals, airborne abrasives, or extreme conditions. Extreme conditions for this type of machinery are generally those where the ambient temperature range exceeds 41°–104°F; the relative humidity range exceeds 20–95% (non-condensing); or the environment is subject to vibration, shocks, or bumps.

## Electrical Installation

Place this machine near an existing power source. Make sure all power cords are protected from traffic, material handling, moisture, chemicals, or other hazards. Make sure to leave access to a means of disconnecting the power source or engaging a lockout/tagout device.

## Lighting

Lighting around the machine must be adequate enough that operations can be performed safely. Shadows, glare, or strobe effects that may distract or impede the operator must be eliminated.



**Figure 6.** Minimum working clearances.



# Assembly

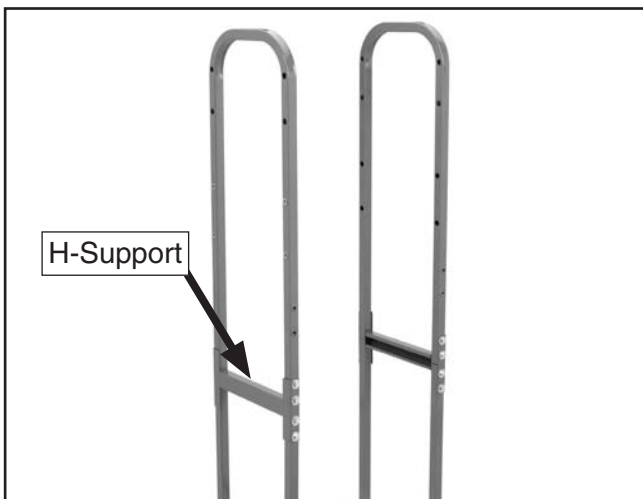
To assemble your dust collector, do these steps:

1. Invert the stand, place one  $\frac{3}{8}$ " lock washer on four caster wheel studs, and thread each caster stud into the stand (**Figure 7**).
2. Using a  $\frac{3}{8}$ " wrench, tighten each caster stud.



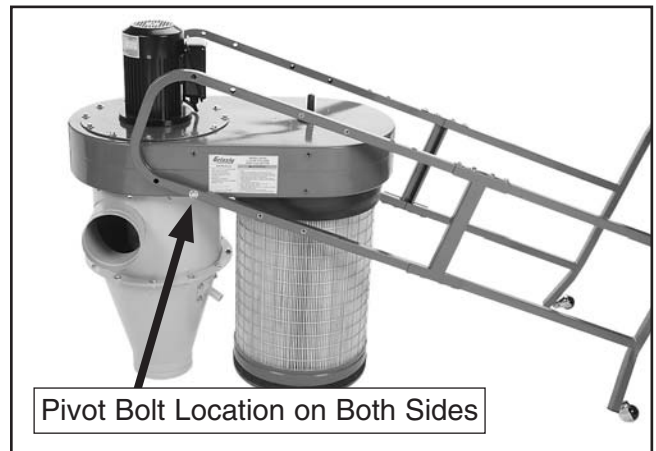
**Figure 7.** Stand and caster wheels.

3. Rotate the stand to the upright position.
4. Using the H-supports, (16)  $\frac{5}{16}$ "-18 x  $\frac{3}{4}$ " hex bolts, and  $\frac{5}{16}$ " flat washers; install the upper rails onto the stand, as shown in **Figure 8**.
5. Using a  $\frac{5}{16}$ " wrench, tighten the hex bolts.



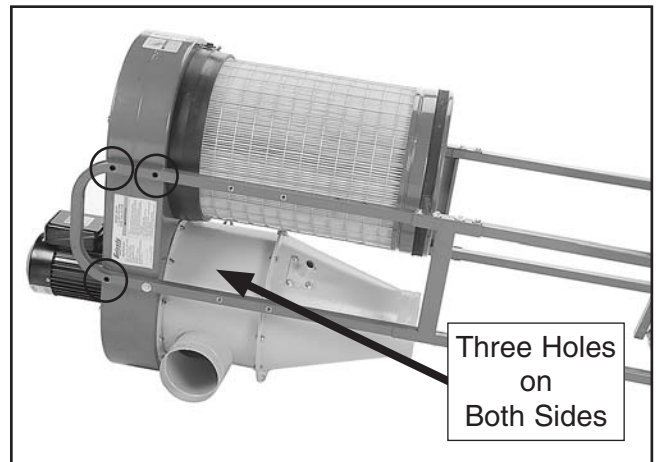
**Figure 8.** Installing stand rails.

6. Position the stand onto the dust collector housing, and install one  $\frac{5}{16}$ "-18 x  $1\frac{1}{2}$ " hex bolt and flat washer on each side of the stand at the to serve as pivot bolts (see **Figure 9** for location).
7. Using a  $\frac{5}{16}$ " wrench, snug both hex bolts.



**Figure 9.** Installing stand.

8. With the help of an assistant, lift up on the stand and rotate the dust collector into place where the other six mounting holes line up with the stand as shown in **Figure 10**.



**Figure 10.** Dust collector and stand positioning.

9. Install the remaining six  $\frac{5}{16}$ "-18 x  $1\frac{1}{2}$ " hex bolts and  $\frac{5}{16}$ " flat washers, and tighten all hex bolts.

10. With the help of an assistant, raise the dust collector to the upright position, and install the handle (**Figure 11**) with (4)  $\frac{5}{16}$ "-18 x  $\frac{3}{4}$ " hex bolts and  $\frac{5}{16}$ " washers.



**Figure 11.** Installing the hand rail.

11. Engage the filter-element crank (**Figure 12**) with the shaft, and secure it in place with one  $\frac{5}{16}$ "-18 x  $\frac{3}{4}$ " hex bolt and one flat washer.



**Figure 12.** Filter-element crank installation.

12. Attach the casters to the bottom of the drum using (4)  $\frac{3}{8}$ "-16 hex nuts, (4)  $\frac{3}{8}$ " flat washers, and (4)  $\frac{3}{8}$ " lock washers (**Figure 13**).



**Figure 13.** Dust collection drum casters installed.

13. Attach the lid latches to the side of the drum extender using six #10-24 x  $\frac{3}{8}$ " phillips head screws and #10-24 nuts as illustrated in **Figure 14**.

**Note:** To avoid bag snags, face the screw heads located inside of the drum with the shanks facing outward, as illustrated in **Figure 14**.



**Figure 14.** Lid latch installation.



14. Place the drum extender onto the drum so one latch is oriented with the drum spout as shown in **Figure 15**.



**Figure 15.** Drum extender and spout alignment.

15. Secure the drum extender to the drum with the drum clamp (**Figure 16**), and tighten the clamp with a 1/2" wrench.



**Figure 16.** Installing drum extender with the drum clamp.

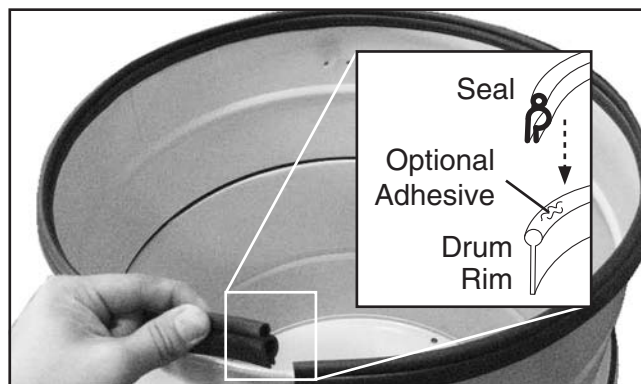
16. Place the dust bag seat into the duct collection drum as illustrated in **Figure 17**.



**Figure 17.** Installing the dust collection bag seat.

17. Insert the rubber seal over the top lip of the drum rim (**Figure 18**). Pay special attention to the direction of the seal also shown in the figure.

**Tip:** To keep the seal in place, you can use an adhesive applied to the rubber seal 10cm intervals.



**Figure 18.** Installing canister seal.

Continued on next page →

18. Install the dust collection bag into the collection drum as illustrated in **Figure 19**.



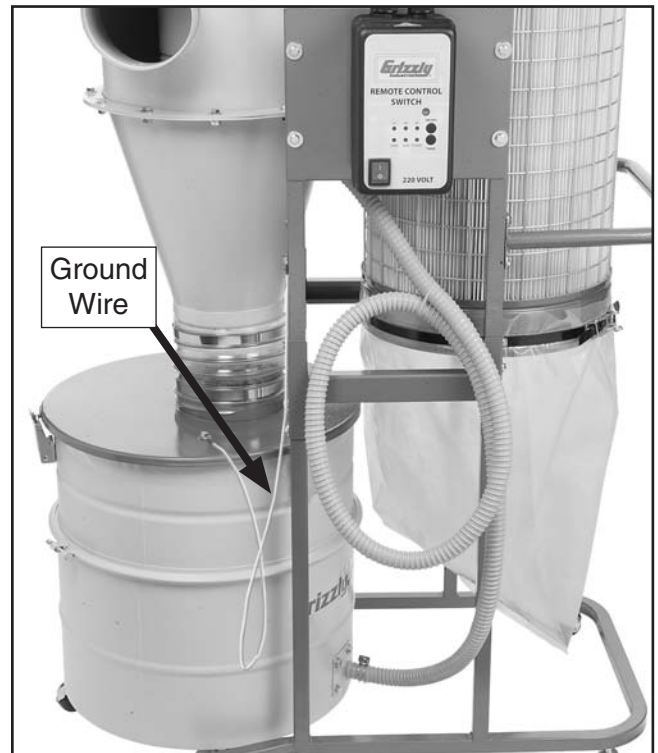
**Figure 19.** Bag installation.

19. Place the drum lid onto the drum, and roll the drum under the cyclone port so the drum spout is facing toward the dust collector, as illustrated in **Figure 20**.



**Figure 20.** Collection drum positioning.

20. Connect one end of the 1" hose and the 7" hose to the collection drum (**Figure 21**).



**Figure 21.** Hose and bag installed.

21. Connect the other end of both hoses to the cyclone housing (**Figure 21**), and secure them in place with the appropriate diameter hose clamps.
22. Install the filter element dust bag (**Figure 21**) to the filter, and clamp it in place with the spring clamp.

**Note:** To make filter-element bag installation easier, you can use a piece of tape to hold the bag in place while the clamp is positioned and tightened.

23. Fasten one end of the ground wire (**Figure 21**) to the copper screw in the drum lid and the other end to the stand using one of the existing stand  $\frac{5}{16}$ "-18 hex bolts.

# Test Run

When the assembly is complete, test run your dust collection system to make sure it operates properly.

## NOTICE

If using a 20-amp, 110-volt power supply circuit instead of a 30-amp, 110-volt or a 15-amp, 220-volt circuit, the machine may cause the power supply circuit breaker to trip. If this occurs, you must install the included 6" x 5" inlet restrictor to lower motor load and current draw.

If, during the test run, you do not easily locate the source of an unusual noise or vibration, stop using the machine immediately, then review the **Troubleshooting** on **Page 28**.

If you still do not remedy a problem, contact our Tech Support at (570) 546-9663 for assistance.

**To test run your dust collection system, do these steps:**

1. Make sure you have read the safety instructions at the beginning of the manual and that the machine is setup properly.
2. Make sure all tools and objects used during setup are cleared away from the machine.
3. Review **Circuit Requirements** on **Page 11** and connect the machine to the power source.
4. Push the start button to start the dust collector (see **Figure 22**).

5. Press the ON/OFF button to turn the machine **ON**. Make sure your hand stays poised over the switch in case you need to quickly turn the machine **OFF**.

6. Listen to and watch for abnormal noises or actions. The machine should run smoothly with little or no vibration or rubbing noises.

—If you suspect any problems, immediately turn the machine **OFF** and disconnect the machine from power. Refer to **Troubleshooting** on **Page 28** to identify and fix any problems.

—If you do not solve the problem with the use of the **Troubleshooting** guide, contact our Tech Support at (570) 546-9663 for assistance.

7. Press the TIMER button on the control box and cycle through each of the times to make sure the indicators light.

8. Press the TIMER button on the remote control and cycle through the times in the same manner as **Step 7**.

9. Toggle the ON/OFF button on both the control box and the remote control to make sure they are working properly.



**Figure 22.** Controls.

# SECTION 4: COLLECTION SYSTEM

## System Setup

The Model G0703 is designed to collect dust from one machine at a time. This can be accomplished by either connecting it to one machine at a time or by connecting it to multiple machines and using blast gates to control which branch is active.

The Model G0703 works quite well as a point of use dust collector. The wheels make it easy to move around the shop near the machine being used.

### Tips for Optimum Performance

- Avoid connecting this machine to any other power supply than one rated for 30-amp, 110-volts, or 15-amp, 220-volts. If you do, you may have to install the included inlet restrictor which will prevent circuit breaker tripping at the cost of lower dust collector performance.
- Avoid using more than 10' of flexible hose on any connection.
- Keep ducts between the dust collector and machines as short as possible.
- Keep ducting directional changes to a minimum. The more curved fittings you use, the greater the loss of overall pressure.
- Gradual directional changes are more efficient than sudden directional changes (i.e. use 45° elbows in place of 90° elbows whenever possible).
- The simpler the system, the more efficient and less costly it will be.

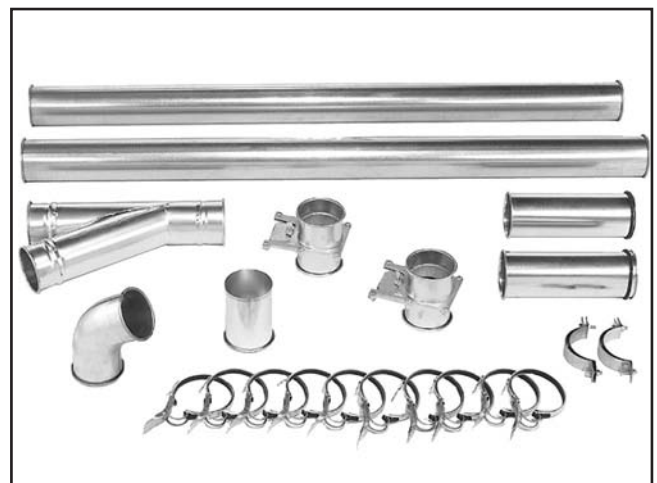
## Duct Material

You have many choices regarding main line and branch line duct material. For best results, use metal duct for the main line and branch lines, then use short lengths of flexible hose to connect each machine to the branch lines.

Plastic duct is also a popular material for home shops. However, be aware that there is a fire or explosion hazard if plastic duct material is used for dust collection without being grounded against static electrical charge build-up. This topic will be discussed later in this section. Another problem with using plastic is that it is less efficient per foot than metal.

### Metal Duct

Advantages of metal duct is its conductivity and that it does not contribute to static electrical charge build-up. However, static charges are still produced when dust particles strike other dust particles as they move through the duct. Since metal duct is a conductor, it can be grounded quite easily to dissipate any static electrical charges.



**Figure 23.** Examples of metal pipe and components.

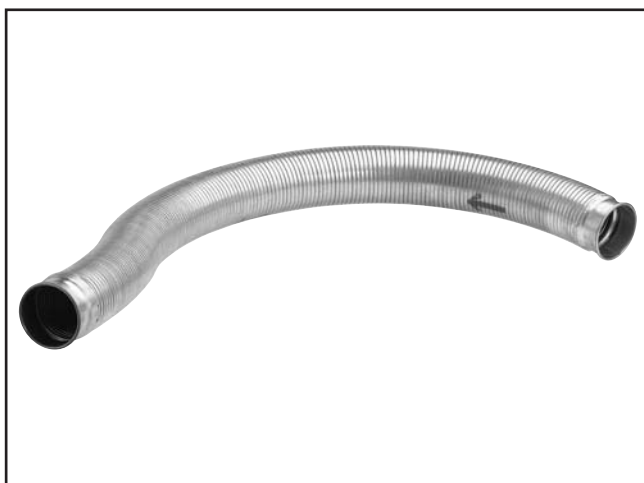
There are a number of options when it comes to metal duct, but metal duct that is specially manufactured for dust collection is the best choice. When selecting your metal duct, choose high quality metal duct with smooth welded internal seams that will minimize airflow resistance. This type of duct usually connects to other ducts or elbows with a simple, self-sealing clamp, is very quick and easy to assemble, and can be readily dismantled and re-installed. This is especially important if you ever need to change things around in your shop or add more tools.

Avoid inferior metal duct that requires you to cut it to length and snap it together. This type of duct is time consuming to install because it requires you to seal all the seams with silicone and screw the components on the ends with sheet metal screws. Another disadvantage is the rough internal seams and crimped ends that unavoidably increase static pressure loss.

## Flexible Duct

Flexible hose is generally used for short runs, small shops, and at rigid duct-to-tool connections. There are many different types of flex hose on the market today. These are manufactured from materials such as polyethylene, PVC, cloth hose dipped in rubber, and even metal, including steel and aluminum.

The superior choice for flexible ducting is metal flex hose that is designed to be flexible and as smooth as possible to reduce static pressure loss. See **Accessories** on **Page 35**.



**Figure 24.** Example of flexible metal duct.

There are also many kinds of pure plastic flexible hose, such as non-perforated drainage type hose and dryer vent hose. Drainage type hose, while being economical, does not quite have the flexibility required for dust collection. The inside of the duct is also deeply corrugated and can increase the static pressure loss by as much as 50% over smooth wall duct. Dryer vent hose offers greater flexibility, but is non-resistant to abrasion and tends to collapse in a negative pressure system. We **DO NOT** recommend using dryer vent hose in your dust collection system.

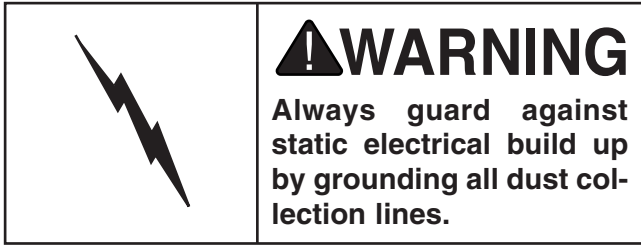
If using flex-hose, choose one of the many types designed specifically for the movement of solid particles, i.e. dust, grains and plastics. However, the cost of specifically designed flexible duct can vary greatly. Grizzly offers polyethylene hose, which is well suited for the removal of particulate matter, especially sawdust, since it is durable and completely flexible. Polyethylene is also very economical and available in a wide variety of diameters and lengths for most applications.

## Plastic Duct

The popularity of plastic duct is due to the fact that it is economical and readily available. It is also simple to assemble and easily sealed against air loss. The primary disadvantage of plastic duct for dust collection is the inherent danger of static electrical build-up.

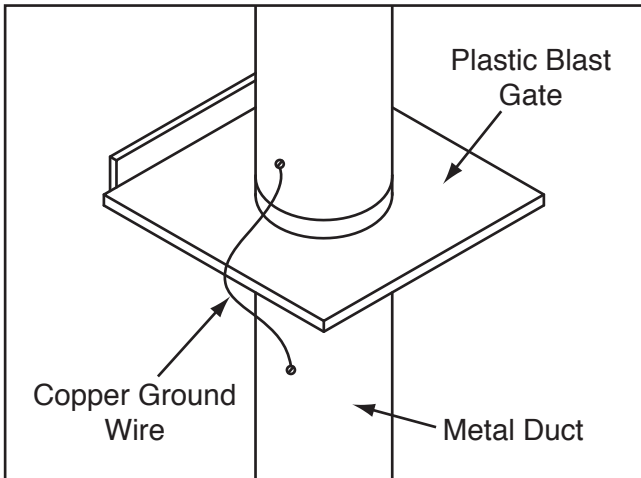


**Figure 25.** Example of plastic duct and components.



Be sure that you extend the bare copper wire down all branches of the system. Do not forget to connect the wires to each other with wire nuts when two branches meet at a “Y” or “T” connection.

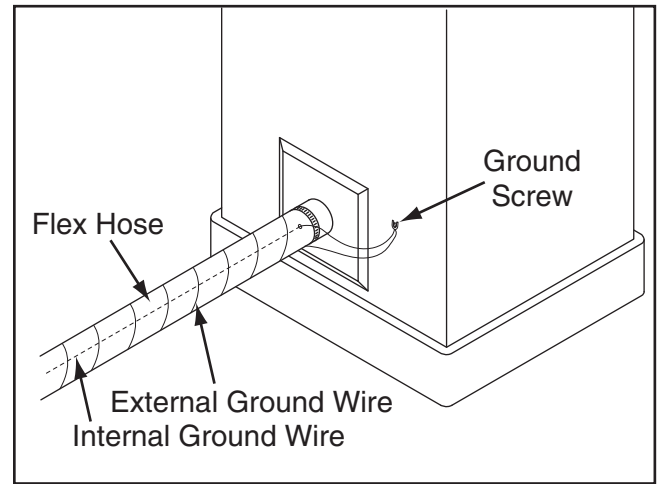
Ensure that the entire system is grounded. If using plastic blast gates to direct air flow, the grounding wire must be jumped (Figure 26) around the blast gate without interruption to the grounding system.



**Figure 26.** Ground jumper wire when using plastic blast gates or elbows and metal duct.

We also recommend wrapping the outside of all plastic ducts with bare copper wire to ground the outside of the system against static electrical build up. Wire connections at Y’s and T’s should be made with wire nuts.

Attach the bare ground wire to each stationary woodworking machine and attach the canister dust collector frame with a ground screw as shown in Figure 27. Ensure that each machine is continuously grounded to the grounding terminal in your electric service panel.



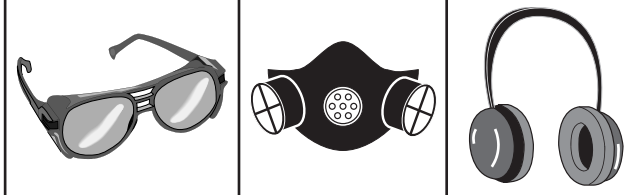
**Figure 27.** Flex-hose grounded to machine.



# SECTION 5: OPERATIONS

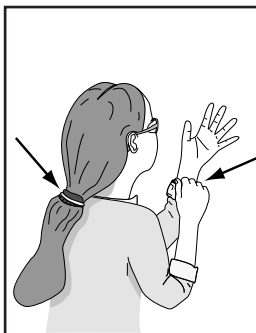
## ⚠ WARNING

Damage to your eyes, lungs, and ears could result from using this machine without proper protective gear. Always wear safety glasses, a respirator, and hearing protection when operating this machine.



## ⚠ WARNING

Loose hair and clothing could get caught in machinery and cause serious personal injury. Keep loose clothing and long hair away from moving machinery.



## ⚠ WARNING

Always guard against static electrical build up by grounding all dust collection lines.



## NOTICE

If you ultimately plan to design and build your own dust collection system, WE STRONGLY RECOMMEND that you do as much research as you can. Regardless of the content in this section, Grizzly Industrial will not be held liable for any accidents or workmanship related to the dust collection system you build.

## General Operation

This cyclone dust collector creates a vortex of incoming air that extracts heavy wood chips (Figure 28) and large dust particles and drops them into the steel drum below, which is lined with a plastic bag.

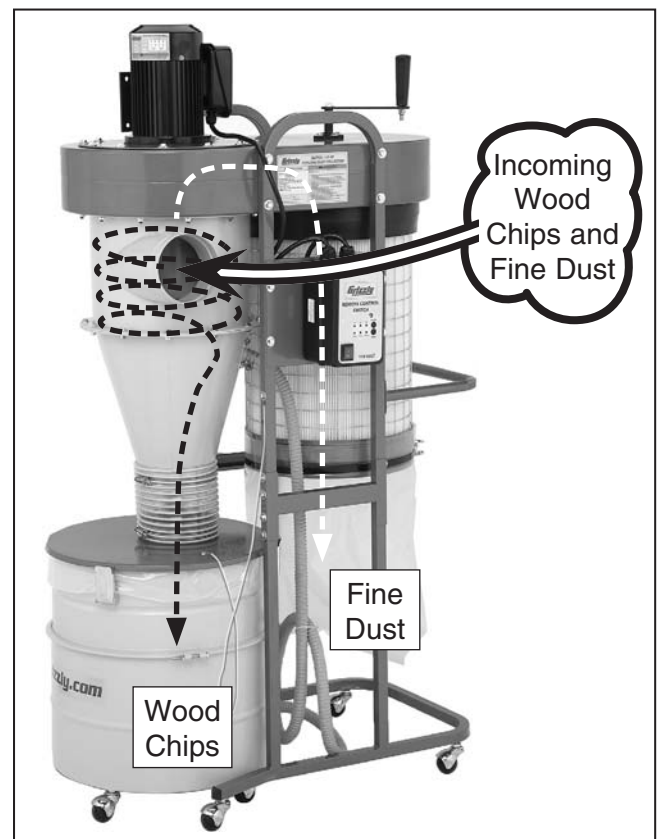


Figure 28. Model G0703 flow.

The remaining fine dust (Figure 28) travels past the impeller and is then caught by the filter cartridge and is deposited in the plastic collection bag below. This filter is made of spun-bond polyester, which catches 99.9% of particles from 0.2 to 2 microns in size, and is pleated to provide maximum surface area for efficient airflow.

To maintain CFM during heavy dust collection operations, the cleaning hand crank is manually rotated and the internal filter flaps knock off caked-on dust into the plastic collection bag, which is fitted to the bottom of the filter canister.

# Remote Control Operation

A remote control receiver and hand-held controller (**Figure 29**) allows the dust collector to be turned *ON* and *OFF* from across the room up to 75-feet away, providing that direct line-of-sight is maintained.

The Model G0703 is equipped with an overload indicator light. If the dust collector experiences an overload this light comes on and the machine shuts down.

To restart the machine, you must first fix the cause of overload, then turn the rocker switch **OFF** then **ON** to reset the overload.



**Figure 29.** Remote control.

To prevent accidental startups by other common RF items like garage door openers, the remote control signal for the Model G0703 is IR (infrared) rather than a RF (radio frequency) signal.

By pressing the ON/OFF button, you can turn the dust collector **ON** and **OFF**.

By pressing the TIMER button once or a series of times, you can cycle the auto shut down time from always on, to timed operation intervals of 2 hours, 4 hours, and 8 hours. When illuminated, the red led lamp indicates which operation mode the machine is in.

If you plan on placing your dust collector in a different room or outside of your shop, you must mount the switch in the shop and wire it through the wall to the dust collector to make use of the remote control.



# SECTION 6: ACCESSORIES

## P0703088—220V Mag Switch

Installing this mag switch will allow you to run the G0703 on 220V single-phase power. To convert the dust collector to 220V, just remove the 110V switch, install this one in its place, and rewire the motor. It's as simple as that!



Figure 30. P0703088 220V Mag Switch.

## G9956—Remote Controlled Double Air Filter G0572—Hanging Air Filter with Remote

These Hanging Air Filters have convenient remote controls and feature a three speed motor, automatic shutoff timer and hang easily from the workshop ceiling!



Figure 31. G0572 Dust Filter.

**Call 1-800-523-4777 To Order**

## H8174—Cyclone Bag Holder

### H8469—Replacement bags (5 Pack)

The cyclone bag holder is a specially designed metal piece that keeps an empty bag from being pulled up into the cyclone. Replacement bags are a must to avoid creating clouds of fine dust that occur if bags are dumped out. With these you can simply tie the bag off and throw it away.



Figure 32. Cyclone dust bag and holder.

## T20514—Small Half-Mask Respirator

## T20515—Medium Half-Mask Respirator

## T20516—Large Half-Mask Respirator

## T20511—Pre-Filter P100

## T20539—Cartridge Filter 2PK P100

## T20541—Cartridge Filter 2PK P100 & O Vapor

Wood and other types of dust can cause severe respiratory damage. If you work around dust every day, a half-mask respirator can greatly reduce your risk. Compatible with safety glasses!



Figure 33. Half-mask respirator with disposable cartridge filters.

- H1052—Clear Flexible Hose 4" x 10'**
- G1536—Black Flexible Hose 4" x 10'**
- G3179—Heavy-Duty Clear Flex Hose 4" x 10'**
- G8830—Hose Hanger 4½"**
- G1552—Y-Fitting 4" x 4" x 4"**
- G1545—90° Elbow 4"**
- G2482—Hose Coupler (Splice) 4"**
- G2974—Wire Hose Clamp 4"**
- G1843—Plastic Blast Gate 4"**
- G4679—Anti-Static Grounding Kit**

We've hand picked a selection of commonly used dust collection components for machines with 4" dust ports.



**Figure 34.** Dust collection accessories.

- T10115—Benchtop Downdraft Table**
- G3119—4" x 2½" Adapter**

Want to stop making such a mess when sanding? This benchtop downdraft table is the perfect solution. Just connect the 2½" dust port in the back to a dust collector or Shop•Vac, and the suction will pull all dust and chips down into the table, keeping your work area tidy and clean.



**Figure 35.** T10115 Benchtop Downdraft Table

- G2752—4" Rolling Floor Sweep**
- G2753—4" Bench Attachment**
- G2754—4" Floor Attachment**

These attachments are indispensable for collecting dust at machines without a port. The rolling floor sweep is also a convenient way to keep the shop floor or workbench top clean! Designed for use with 4" flexible hose (not included).



**Figure 36.** Dust collection attachments.

- T10117—Big Mouth Dust Hood with Stand**

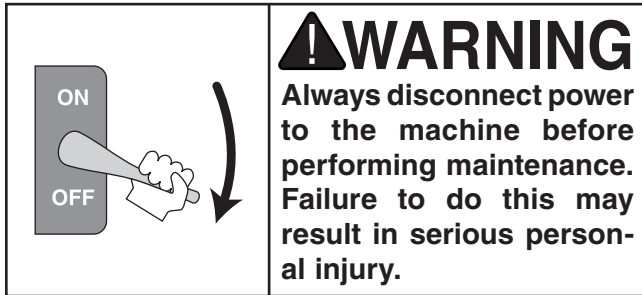
Capture dust from any machine operation with this Big Mouth Dust Hood. Simply attach a 4" dust collection hose and adjust the hood right where you need it. The free standing base eliminates complicated machine set-ups and the tilting 16⅜" x 12⅞" hood adjusts from 23" to 43" high. Every shop needs one of these!



**Figure 37.** T10117 Big Mouth Dust Hood.



# SECTION 7: MAINTENANCE



## Schedule

For optimum performance from your machine, follow this maintenance schedule and refer to any specific instructions given in this section.

### Daily Check:

- Dust collector is completely powered down at the end of use.
- Dust collection drum or bag leaks.
- Loose mounting bolts.
- Suction leaks.
- Worn or damaged wires.
- Any other condition that would hamper the safe and efficient operation of this machine.

## Emptying Drum

Empty the collection drum when it is approximately  $\frac{3}{4}$  full. If the drum becomes overfilled, the dust will be sucked into the intake barrel and passed through to the canister filter.

How quickly the drum will fill up is based on the type of work being done at the time:

- Fine dust from a sander or table saw will slowly fill the drums.
- Curly shavings from a planer or jointer will quickly fill the drums.

When first using the dust collector, check the drum regularly to get an idea of how often it needs to be emptied.

## Cleaning Filter

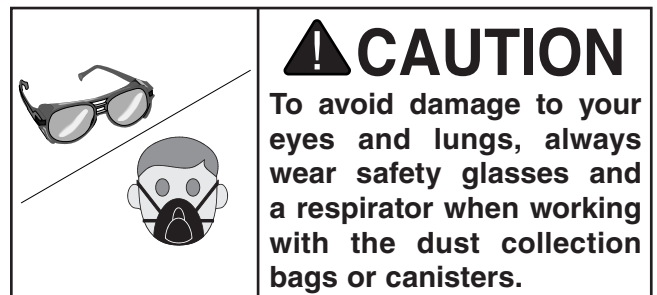
The Model G0703 dust collector has a hand-crank (Figure 38) driven filter flap system for removing any built-up dust from the filter pleats.



**Figure 38.** Brush handles for cleaning canister filters.

To clean the filter, rotate the filter handle a few turns in one direction. The caked-on dust will fall into the plastic bag below.

For a more thorough cleaning every few months under heavy use, remove the filter from the dust collector and rinse it with warm water. Allow the filters to air dry only. Do not leave the filters in the sun to dry or apply heat to speed the process; heat exposure can damage your filters.

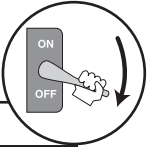


# SECTION 8: SERVICE

Review the troubleshooting and procedures in this section to fix or adjust your machine if a problem develops. If you need replacement parts or you are unsure of your repair skills, then feel free to call our Technical Support at (570) 546-9663.

## Troubleshooting

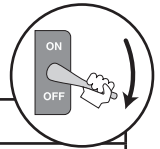
### Motor & Electrical



Symptom	Possible Cause	Possible Solution
Machine does not start or a breaker trips.	<ol style="list-style-type: none"> <li>1. Power supply switched OFF or is at fault.</li> <li>2. Wall fuse/circuit breaker is blown/tripped.</li> <li>3. Hand-held remote controller is at fault.</li> <li>4. Receiver is at fault.</li> <li>5. Motor connection wired incorrectly.</li> <li>6. Thermal overload relay has tripped.</li> <li>7. Contactor not getting energized/has burnt contacts.</li> <li>8. Wiring is open/has high resistance.</li> <li>9. Motor ON button or ON/OFF switch is at fault.</li> <li>10. Motor is at fault.</li> </ol>	<ol style="list-style-type: none"> <li>1. Ensure power supply is switched on; ensure power supply has the correct voltage.</li> <li>2. Ensure circuit size is suitable for this machine; install inlet restrictor, replace weak breaker.</li> <li>3. Replace batteries in hand-held remote controller; stay in line-of-sight view and signal range.</li> <li>4. Inspect receiver circuit board; replace if faulty.</li> <li>5. Correct motor wiring connections.</li> <li>6. Turn cut-out dial to increase working amps and push the reset pin. Reduce work load. Replace if tripped multiple times.</li> <li>7. Test for power on all legs and contactor operation. Replace unit if faulty.</li> <li>8. Check for broken wires or disconnected/corroded connections, and repair/replace as necessary.</li> <li>9. Replace faulty ON button or ON/OFF switch.</li> <li>10. Test/repair/replace.</li> </ol>
Machine has vibration or noisy operation.	<ol style="list-style-type: none"> <li>1. Motor or component is loose.</li> <li>2. Motor mount loose/broken.</li> <li>3. Motor fan is rubbing on fan cover.</li> <li>4. Motor bearings are at fault.</li> </ol>	<ol style="list-style-type: none"> <li>1. Inspect/replace stripped or damaged bolts/nuts, and re-tighten with thread locking fluid.</li> <li>2. Tighten/replace.</li> <li>3. Replace dented fan cover; replace loose/damaged fan.</li> <li>4. Test by rotating shaft; rotational grinding/loose shaft requires bearing replacement.</li> </ol>



# Dust Collector Operation



Symptom	Possible Cause	Possible Solution
Loud, repetitious noise, or excessive vibration coming from dust collector.	<ol style="list-style-type: none"> <li>Dust collector is not on a flat surface and wobbles.</li> <li>Impeller is damaged and unbalanced.</li> <li>The motor mounting or housing connections are loose.</li> <li>Impeller is loose on the motor shaft.</li> <li>Motor fan cover is dented, causing the motor fan to hit the cover while spinning.</li> </ol>	<ol style="list-style-type: none"> <li>Stabilize the dust collector.</li> <li>Disconnect dust collector from power, and inspect the impeller for dents, bends, loose fins. Replace impeller if any damage is found.</li> <li>Make sure all fasteners on the dust collector are tight.</li> <li>Replace the motor and impeller as a set if the motor shaft and the impeller hub are damaged.</li> <li>Replace motor fan cover.</li> </ol>
Dust collector does not adequately collect dust or chips; poor performance.	<ol style="list-style-type: none"> <li>Dust collection bag is full.</li> <li>Filter is dirty.</li> <li>There is a restriction in the duct line.</li> <li>The dust collector is too far away from the point of suction, or there are too many sharp bends in the ducting.</li> <li>The lumber is wet and dust is not flowing through the ducting smoothly.</li> <li>There is a leak in the ducting, or a series of small leaks, or too many open ports.</li> <li>There are not enough open branch lines at one time, thereby causing a velocity drop in the main line.</li> <li>The ducting and ports are incorrectly sized.</li> <li>The machine dust collection design is inadequate.</li> <li>The dust collector is too small for the dust collection system.</li> </ol>	<ol style="list-style-type: none"> <li>Empty collection bag.</li> <li>Clean filter.</li> <li>Remove dust line from dust collector inlet and unblock the restriction in the duct line. A plumbing snake may be necessary.</li> <li>Relocate the dust collector closer to the point of suction, and rework ducting without sharp bends.</li> <li>Process lumber with less than 20% moisture content.</li> <li>Rework the ducting to eliminate all leaks. Close dust ports for lines not being used.</li> <li>Open 1 or 2 more blast gates to different branch lines to allow the velocity in the main line to increase.</li> <li>Reinstall correctly sized ducts and fittings.</li> <li>Use a dust collection nozzle on a stand.</li> <li>Install a larger dust collector to power your dust collection system.</li> </ol>
Sawdust being blown into the air from the dust collector.	<ol style="list-style-type: none"> <li>Duct clamps or dust collection bag is not properly clamped and secured.</li> <li>Cylinder or funnel seals are loose or damaged.</li> </ol>	<ol style="list-style-type: none"> <li>Re-secure ducts and dust collection bag, making sure duct and bag clamp are tight.</li> <li>Retighten all mounting and sealing points, replace damaged gaskets.</li> </ol>



# SECTION 9: WIRING

These pages are current at the time of printing. However, in the spirit of improvement, we may make changes to the electrical systems of future machines. Study this section carefully. If there are differences between your machine and what is shown in this section, call Technical Support at (570) 546-9663 for assistance BEFORE making any changes to the wiring on your machine.

## WARNING










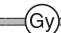
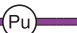



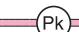
### Wiring Safety Instructions

- SHOCK HAZARD.** Working on wiring that is connected to a power source is extremely dangerous. Touching electrified parts will result in personal injury including but not limited to severe burns, electrocution, or death. Disconnect the power from the machine before servicing electrical components!
- MODIFICATIONS.** Modifying the wiring beyond what is shown in the diagram may lead to unpredictable results, including serious injury or fire. This includes the installation of unapproved aftermarket parts.
- WIRE CONNECTIONS.** All connections must be tight to prevent wires from loosening during machine operation. Double-check all wires disconnected or connected during any wiring task to ensure tight connections.
- CIRCUIT REQUIREMENTS.** You MUST follow the requirements at the beginning of this manual when connecting your machine to a power source.
- WIRE/COMPONENT DAMAGE.** Damaged wires or components increase the risk of serious personal injury, fire, or machine damage. If you notice that any wires or components are damaged while performing a wiring task, replace those wires or components.
- MOTOR WIRING.** The motor wiring shown in these diagrams is current at the time of printing but may not match your machine. If you find this to be the case, use the wiring diagram inside the motor junction box.
- CAPACITORS/INVERTERS.** Some capacitors and power inverters store an electrical charge for up to 10 minutes after being disconnected from the power source. To reduce the risk of being shocked, wait at least this long before working on capacitors.
- EXPERIENCING DIFFICULTIES.** If you are experiencing difficulties understanding the information included in this section, contact our Technical Support at (570) 546-9663.

#### NOTICE

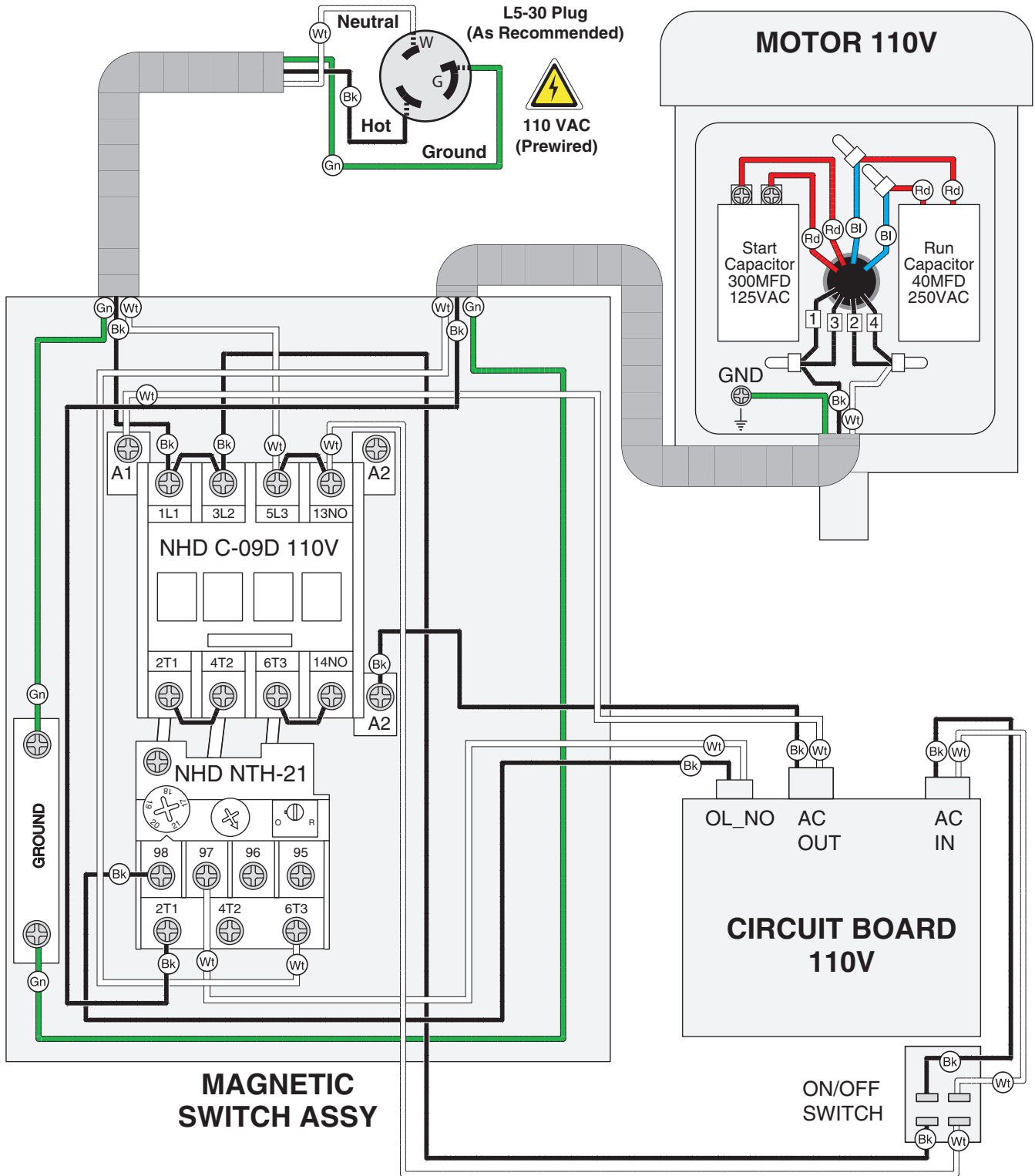
The photos and diagrams included in this section are best viewed in color. You can view these pages in color at [www.grizzly.com](http://www.grizzly.com).

#### COLOR KEY

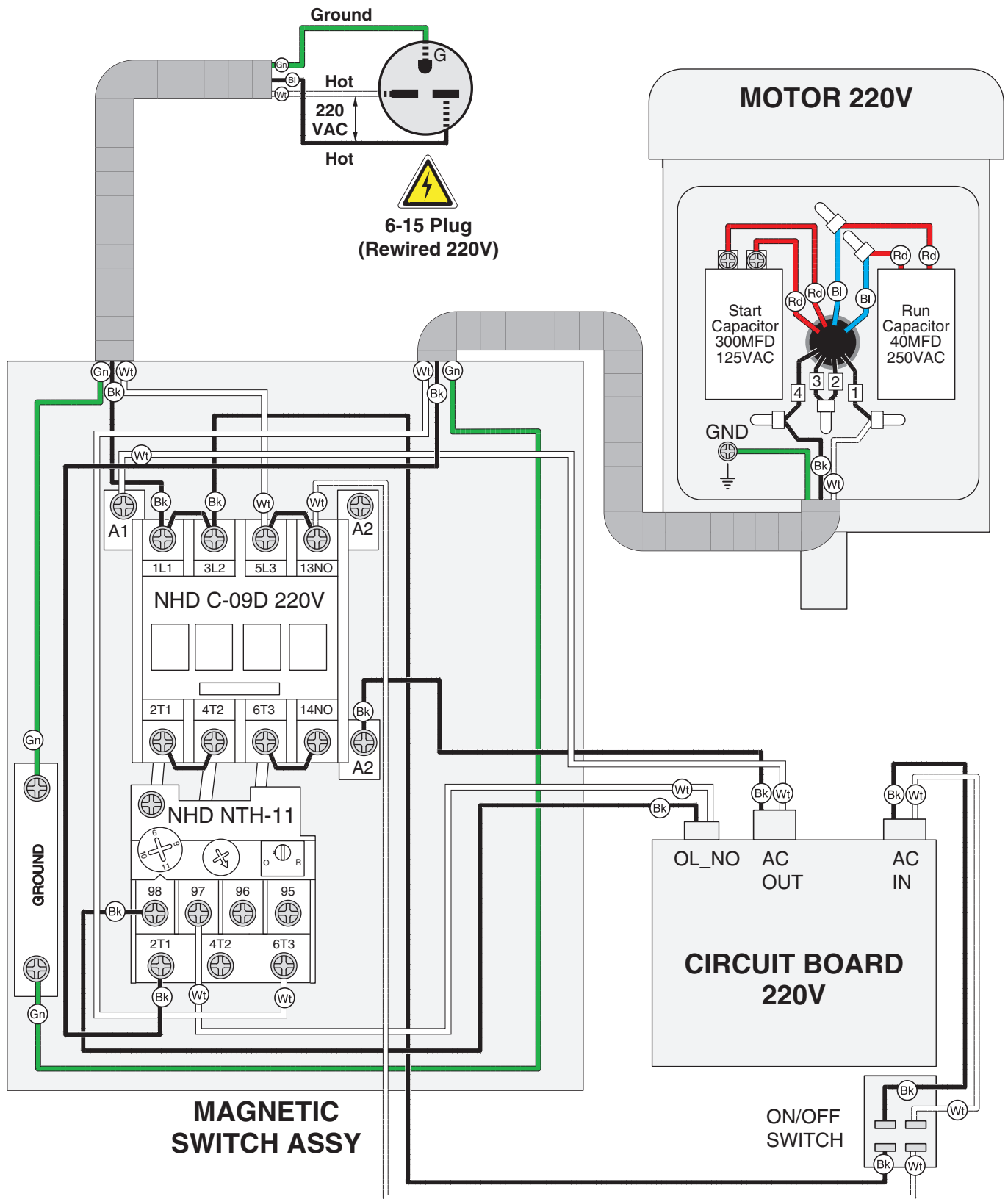
BLACK		BLUE		YELLOW		LIGHT BLUE	
WHITE		BROWN		YELLOW GREEN		BLUE WHITE	
GREEN		GRAY		PURPLE		TURQUOISE	
RED		ORANGE		PINK			



# 110V Wiring Diagram



# 220V Wiring Diagram





# Electrical Component Locations

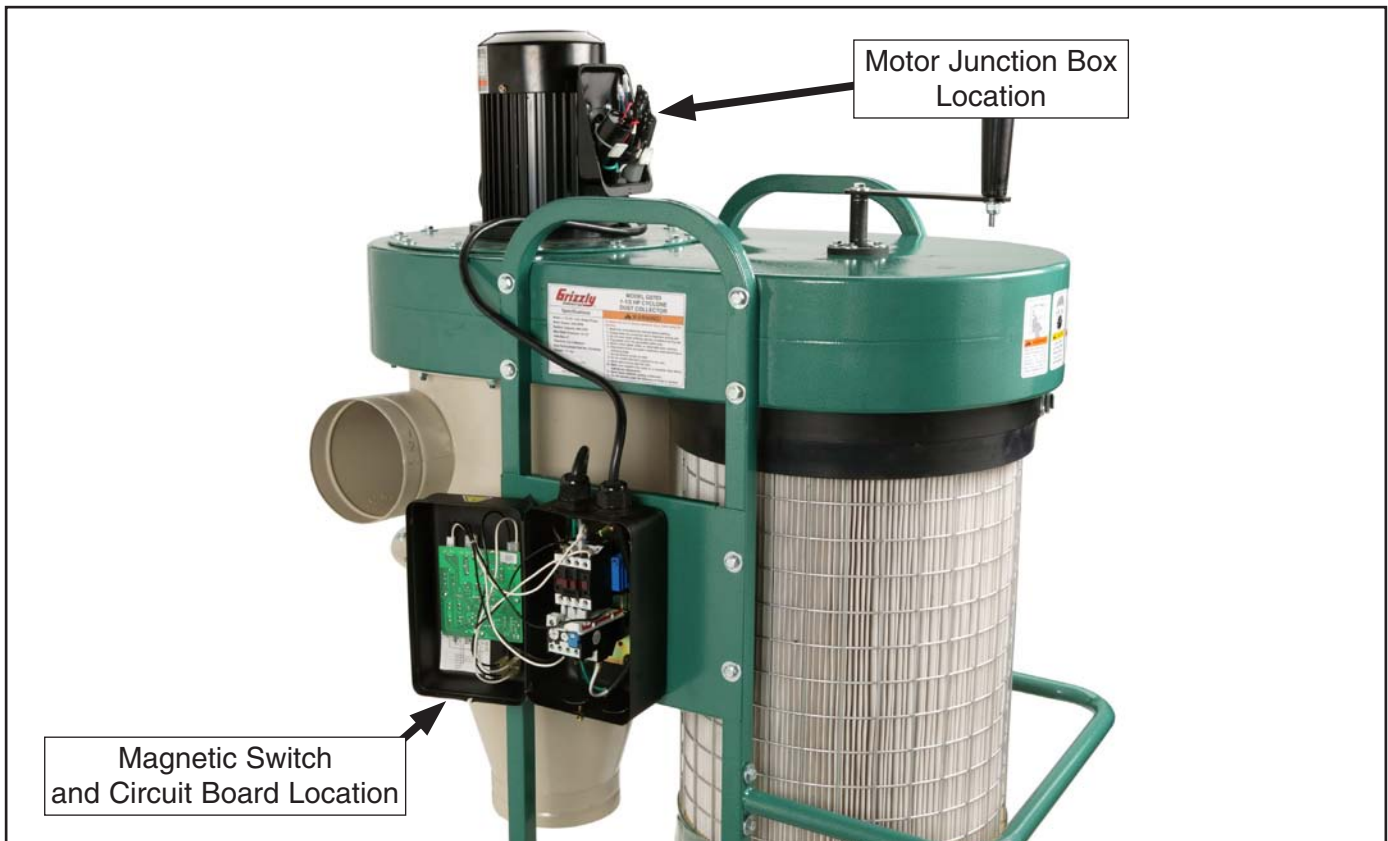
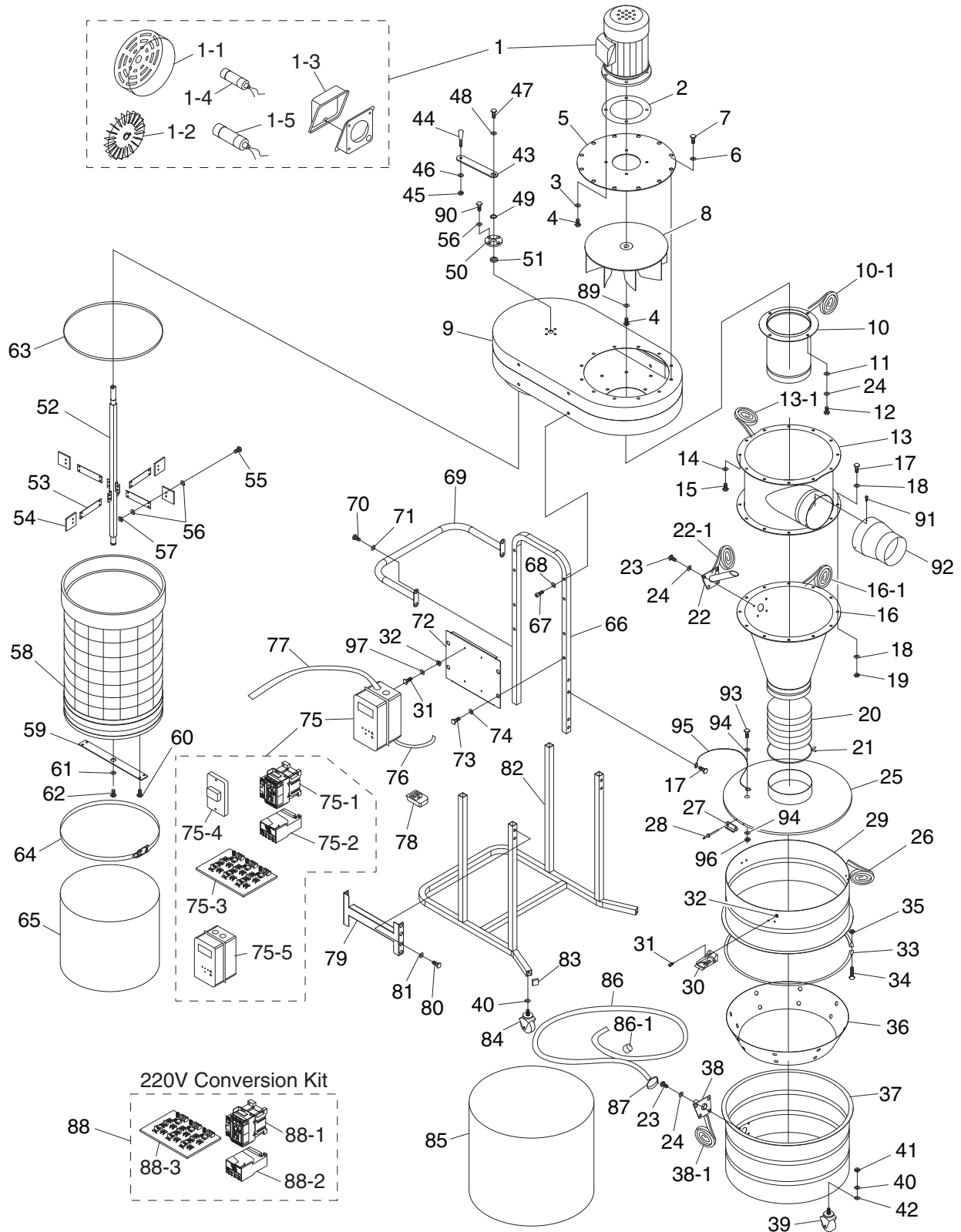


Figure 39. Electrical component locations.

# SECTION 10: PARTS

## Main



# Main Parts List

REF	PART #	DESCRIPTION
1	P0703001	MOTOR 1-1/2 HP 110/220V 1PH
1-1	P0703001-1	MOTOR FAN COVER
1-2	P0703001-2	MOTOR FAN
1-3	P0703001-3	MOTOR JUNCTION BOX
1-4	P0703001-4	S CAPACITOR 300M 125V 1-1/2 X 3-1/8
1-5	P0703001-5	R CAPACITOR 40M 250V 1-3/8 X 2-3/8
2	P0703002	MOTOR GASKET
3	PW07	FLAT WASHER 5/16
4	PB07	HEX BOLT 5/16-18 X 3/4
5	P0703005	MOTOR MOUNTING PLATE
6	PW07	FLAT WASHER 5/16
7	PB07	HEX BOLT 5/16-18 X 3/4
8	P0703008	IMPELLER 13-1/2"
9	P0703009	BLOWER HOUSING
10	P0703010	INTAKE CYLINDER 7"
10-1	P0703010-1	INTAKE CYLINDER SEAL
11	PW07	FLAT WASHER 5/16
12	PB07	HEX BOLT 5/16-18 X 1/2
13	P0703013	INTAKE BARREL 9-13/16" X 16-1/2"
13-1	P0703013-1	INTAKE BARREL SEAL
14	PW07	FLAT WASHER 5/16
15	PB07	HEX BOLT 5/16-18 X 3/4
16	P0703016	CYCLONE FUNNEL 7"
16-1	P0703016-1	CYCLONE FUNNEL SEAL
17	PB07	HEX BOLT 5/16-18 X 3/4
18	PW07	FLAT WASHER 5/16
19	PN02	HEX NUT 5/16-18
20	P0703020	DUST HOSE CLEAR 7" X 7"
21	P0440026	HOSE CLAMP 7"
22	P0703022	FUNNEL SUCTION PIPE
22-1	P0703022-1	FUNNEL SUCTION PIPE SEAL
23	PB07	HEX BOLT 5/16-18 X 3/4
24	PLW01	LOCK WASHER 5/16
25	P0703025	COLLECTION DRUM LID 9"
26	P0703026	COLLECTION DRUM SEAL
27	P0703027	LATCH HOOK
28	P0703028	RIVET
29	P0703029	UPPER COLLECTION DRUM
30	P0440053	DRUM LID LATCH
31	PS06	PHLP HD SCR 10-24 X 3/8
32	PN07	HEX NUT 10-24
33	P0703033	DRUM CLAMP
34	PB04	HEX BOLT 5/16-18 X 3
35	PN02	HEX NUT 5/16-18
36	P0703036	VACUUM SUCTION PLATE
37	P0703037	LOWER COLLECTION DRUM
38	P0703038	DRUM SUCTION PIPE
38-1	P0703038-1	DRUM SUCTION PIPE SEAL
39	P0440056	CASTER 2"
40	PLW04	LOCK WASHER 3/8
41	PN08	HEX NUT 3/8-16
42	PW02	FLAT WASHER 3/8
43	P0703043	PADDLE CRANK
44	P0703044	ROTATION HANDLE
45	PLN01	LOCK NUT 3/8-16
46	PW02	FLAT WASHER 3/8
47	PB07	HEX BOLT 5/16-18 X 3/4
48	PW07	FLAT WASHER 5/16

REF	PART #	DESCRIPTION
49	PR83M	EXT RETAINING RING 20MM
50	P0703050	PADDLE SHAFT CAP
51	P0703051	SEAL
52	P0703052	PADDLE SHAFT
53	P0703053	PADDLE BRACKET
54	P0703054	PADDLE
55	PB02	HEX BOLT 1/4-20 X 5/8
56	PW06	FLAT WASHER 1/4
57	PLN02	LOCK NUT 1/4-20
58	P0703058	CARTRIDGE FILTER
59	P0703059	PADDLE SUPPORT
60	PHTEK39M	TAP SCREW M4 X 12
61	PW07	FLAT WASHER 5/16
62	PB03	HEX BOLT 5/16-18 X 3/4
63	P0703063	CARTRIDGE FILTER CLAMP
64	P0440033	BAG CLAMP 400MM
65	P0440033	PLASTIC BAG 400 X 600MM
66	P0703066	UPPER FRAME
67	PCAP07	CAP SCREW 5/16-18 X 1/2
68	PW07	FLAT WASHER 5/16
69	P0703069	FRAME HANDLE
70	PB07	HEX BOLT 5/16-18 X 3/4
71	PW07	FLAT WASHER 5/16
72	P0703072	ELECTRICAL BOX MOUNTING PLATE
73	PB07	HEX BOLT 5/16-18 X 3/4
74	PW07	FLAT WASHER 5/16
75	P0443004B	REMOTE CONTROL SWITCH 110V
75-1	P0703075-1	CONTACTOR NHD C-09D 110V
75-2	P0703075-2	OL RELAY NHD NTH-21 17-21A
75-3	P0703075-3	CIRCUIT BOARD 110V
75-4	P0703075-4	ON/OFF SWITCH 110/220V
75-5	P0703075-5	REMOTE CONTROL BOX
76	P0443003	POWER CORD 12G/3W
77	P0443002	MOTOR CORD 12G/3W
78	P0443005	REMOTE CONTROLLER
79	P0703079	FRAME BRACE
80	PB07	HEX BOLT 5/16-18 X 3/4
81	PW07	FLAT WASHER 5/16
82	P0703082	LOWER FRAME
83	P0703083	FRAME END CAP
84	P0440056	CASTER 2"
85	P0703085	PLASTIC BAG 510 X 1070MM
86	P0703086	DUST HOSE GREY 1" X 6-1/2'
86-1	P0703086-1	1" PLASTIC HOSE PLUG
87	P0703087	HOSE CLAMP 1"
88	P0703088	220V CONVERSION KIT
88-1	P0703088-1	CONTACTOR NHD C-09D 220V
88-2	P0703088-2	OL RELAY NTH-11 8-11A
88-3	P0703088-3	CIRCUIT BOARD 220V
89	P0443014	SPECIAL FENDER WASHER 5/16
90	PB31	HEX BOLT 1/4-20 X 1
91	PS02M	PHLP HD SCR M4-.7 X 12
92	P0703092	INLET RESTRICTOR 5" X 6"
93	P0703093	COPPER PHLP HD SCR M5-.8 X 12
94	PLW01M	LOCK WASHER 5MM
95	P0703095	GROUND WIRE
96	P0703096	COPPER HEX NUT M5-.8
97	PW03	FLAT WASHER #10



# Machine Labels

100



101



102



106



107



105



104  
**G0703**

108  
**grizzly.com**

REF	PART #	DESCRIPTION
100	P0703100	MACHINE ID LABEL
101	PLABEL-15A	HEARING HAZARD LABEL
102	PLABEL-12A	READ MANUAL LABEL
103	PLABEL-57	EYE/LUNG HAZARD LABEL
104	P0703104	MODEL NUMBER LABEL

REF	PART #	DESCRIPTION
105	PLABEL14	ELECTRICITY LABEL
106	PLABEL59	INTLET HAZARD LABEL
107	P0703107	GRIZZLY GREEN TOUCH-UP PAINT
108	P0703108	GRIZZLY.COM LABEL RED

## **!WARNING**

Safety labels warn about machine hazards and ways to prevent injury. The owner of this machine **MUST** maintain the original location and readability of the labels on the machine. If any label is removed or becomes unreadable, **REPLACE** that label before using the machine again. Contact Grizzly at (800) 523-4777 or [www.grizzly.com](http://www.grizzly.com) to order new labels.





# WARRANTY CARD

Name \_\_\_\_\_  
 Street \_\_\_\_\_  
 City \_\_\_\_\_ State \_\_\_\_\_ Zip \_\_\_\_\_  
 Phone # \_\_\_\_\_ Email \_\_\_\_\_ Invoice # \_\_\_\_\_  
 Model # \_\_\_\_\_ Order # \_\_\_\_\_ Serial # \_\_\_\_\_

The following information is given on a voluntary basis. It will be used for marketing purposes to help us develop better products and services. **Of course, all information is strictly confidential.**

- How did you learn about us?
 

<input type="checkbox"/> Advertisement	<input type="checkbox"/> Friend	<input type="checkbox"/> Catalog
<input type="checkbox"/> Card Deck	<input type="checkbox"/> Website	<input type="checkbox"/> Other:
- Which of the following magazines do you subscribe to?
 

<input type="checkbox"/> Cabinetmaker & FDM	<input type="checkbox"/> Popular Science	<input type="checkbox"/> Wooden Boat
<input type="checkbox"/> Family Handyman	<input type="checkbox"/> Popular Woodworking	<input type="checkbox"/> Woodshop News
<input type="checkbox"/> Hand Loader	<input type="checkbox"/> Precision Shooter	<input type="checkbox"/> Woodsmith
<input type="checkbox"/> Handy	<input type="checkbox"/> Projects in Metal	<input type="checkbox"/> Woodwork
<input type="checkbox"/> Home Shop Machinist	<input type="checkbox"/> RC Modeler	<input type="checkbox"/> Woodworker West
<input type="checkbox"/> Journal of Light Cont.	<input type="checkbox"/> Rifle	<input type="checkbox"/> Woodworker's Journal
<input type="checkbox"/> Live Steam	<input type="checkbox"/> Shop Notes	<input type="checkbox"/> Other:
<input type="checkbox"/> Model Airplane News	<input type="checkbox"/> Shotgun News	
<input type="checkbox"/> Old House Journal	<input type="checkbox"/> Today's Homeowner	
<input type="checkbox"/> Popular Mechanics	<input type="checkbox"/> Wood	
- What is your annual household income?
 

<input type="checkbox"/> \$20,000-\$29,000	<input type="checkbox"/> \$30,000-\$39,000	<input type="checkbox"/> \$40,000-\$49,000
<input type="checkbox"/> \$50,000-\$59,000	<input type="checkbox"/> \$60,000-\$69,000	<input type="checkbox"/> \$70,000+
- What is your age group?
 

<input type="checkbox"/> 20-29	<input type="checkbox"/> 30-39	<input type="checkbox"/> 40-49
<input type="checkbox"/> 50-59	<input type="checkbox"/> 60-69	<input type="checkbox"/> 70+
- How long have you been a woodworker/metalworker?
 

<input type="checkbox"/> 0-2 Years	<input type="checkbox"/> 2-8 Years	<input type="checkbox"/> 8-20 Years	<input type="checkbox"/> 20+ Years
------------------------------------	------------------------------------	-------------------------------------	------------------------------------
- How many of your machines or tools are Grizzly?
 

<input type="checkbox"/> 0-2	<input type="checkbox"/> 3-5	<input type="checkbox"/> 6-9	<input type="checkbox"/> 10+
------------------------------	------------------------------	------------------------------	------------------------------
- Do you think your machine represents a good value?  Yes  No
- Would you recommend Grizzly Industrial to a friend?  Yes  No
- Would you allow us to use your name as a reference for Grizzly customers in your area?  
**Note: We never use names more than 3 times.**  Yes  No

10. Comments: \_\_\_\_\_  
 \_\_\_\_\_  
 \_\_\_\_\_  
 \_\_\_\_\_

CUT ALONG DOTTED LINE

FOLD ALONG DOTTED LINE

\_\_\_\_\_

\_\_\_\_\_

\_\_\_\_\_



Place  
Stamp  
Here



GRIZZLY INDUSTRIAL, INC.  
P.O. BOX 2069  
BELLINGHAM, WA 98227-2069



FOLD ALONG DOTTED LINE

Send a Grizzly Catalog to a friend:

Name _____
Street _____
City _____ State _____ Zip _____

TAPE ALONG EDGES--PLEASE DO NOT STAPLE

# WARRANTY AND RETURNS

---

Grizzly Industrial, Inc. warrants every product it sells for a period of **1 year** to the original purchaser from the date of purchase. This warranty does not apply to defects due directly or indirectly to misuse, abuse, negligence, accidents, repairs or alterations or lack of maintenance. This is Grizzly's sole written warranty and any and all warranties that may be implied by law, including any merchantability or fitness, for any particular purpose, are hereby limited to the duration of this written warranty. We do not warrant or represent that the merchandise complies with the provisions of any law or acts unless the manufacturer so warrants. In no event shall Grizzly's liability under this warranty exceed the purchase price paid for the product and any legal actions brought against Grizzly shall be tried in the State of Washington, County of Whatcom.

We shall in no event be liable for death, injuries to persons or property or for incidental, contingent, special, or consequential damages arising from the use of our products.

To take advantage of this warranty, contact us by mail or phone and give us all the details. We will then issue you a "Return Number," which must be clearly posted on the outside as well as the inside of the carton. We will not accept any item back without this number. Proof of purchase must accompany the merchandise.

The manufacturers reserve the right to change specifications at any time because they constantly strive to achieve better quality equipment. We make every effort to ensure that our products meet high quality and durability standards and we hope you never need to use this warranty.

Please feel free to write or call us if you have any questions about the machine or the manual.

Thank you again for your business and continued support. We hope to serve you again soon.

# *grizzly.com*<sup>®</sup>

**TOOL WEBSITE**

Buy Direct and Save with Grizzly<sup>®</sup> – Trusted, Proven and a Great Value!  
~Since 1983~

*Visit Our Website Today For  
Current Specials!*

**ORDER  
24 HOURS A DAY!  
1-800-523-4777**





## Free Manuals Download Website

<http://myh66.com>

<http://usermanuals.us>

<http://www.somanuals.com>

<http://www.4manuals.cc>

<http://www.manual-lib.com>

<http://www.404manual.com>

<http://www.luxmanual.com>

<http://aubethermostatmanual.com>

Golf course search by state

<http://golfingnear.com>

Email search by domain

<http://emailbydomain.com>

Auto manuals search

<http://auto.somanuals.com>

TV manuals search

<http://tv.somanuals.com>