

PORTABLE DUST COLLECTOR
MODEL G1163
INSTRUCTION MANUAL



COPYRIGHT © 1994 BY GRIZZLY INDUSTRIAL, INC. REG # TX 4 039 729
**WARNING: NO PORTION OF THIS MANUAL MAY BE REPRODUCED IN ANY SHAPE
OR FORM WITHOUT THE WRITTEN APPROVAL OF GRIZZLY INDUSTRIAL, INC.**
REVISED FEBRUARY, 1999. PRINTED IN U.S.A.



WARNING!

Some dust created by power sanding, sawing, grinding, drilling, and other construction activities contains chemicals known to the State of California to cause cancer, birth defects or other reproductive harm. Some examples of these chemical are:

- **Lead from lead-based paints.**
- **Crystalline silica from bricks, cement and other masonry products.**
- **Arsenic and chromium from chemically-treated lumber.**

Your risk from these exposures varies, depending on how often you do this type of work. To reduce your exposure to these chemicals: Work in a well ventilated area, and work with approved safety equipment, such as those dust masks that are specially designed to filter out microscopic particles.

TABLE OF CONTENTS

	PAGE
1. SAFETY	2
SAFETY INSTRUCTIONS FOR POWER TOOLS	2
ADDITIONAL SAFETY INSTRUCTIONS FOR THE DUST COLLECTOR	4
2. GENERAL INFORMATION	5
UNPACKING	6
PIECE INVENTORY	6
SITE CONSIDERATIONS	7
3. ASSEMBLY	8
BEGINNING ASSEMBLY	8
BASE	8
HANDLE BAR	9
COLLECTOR BODY / MOTOR ASSEMBLY	9
COLLECTION BAG	10
WALL MOUNT BRACKET	10
4. OPERATIONS	11
TEST RUN	11
SET UP	11
MOBILE	12
STATIONARY	12
SYSTEM GROUNDING	13
5. MAINTENANCE ITEMS	14
GENERAL	14
IMPELLER TIGHTENING	14
LUBRICATION	14
6. CLOSURE	15
WARRANTY AND RETURNS	16
PARTS DIAGRAM AND LISTING	17
MACHINE DATA	18

SECTION 1: SAFETY

WARNING

For Your Own Safety Read Instruction Manual Before Operating This Equipment

The purpose of safety symbols is to attract your attention to possible dangers. This manual uses a series of symbols which are intended to convey the level of criticality of the safety message. The progression of symbols is described below. Remember that safety messages by themselves do not eliminate danger and are not a substitute for proper accident prevention measures.

 **NOTE** This symbol is used to alert the user to useful information about safe and proper operation of the equipment.

 **CAUTION** Failure to obey a CAUTION symbol and notation may result in minor or moderate property damage or personal injury.

 **WARNING** Failure to obey a WARNING symbol and notation can result in serious injury to yourself and others.

 **DANGER** Failure to obey a DANGER symbol and notation WILL result in serious personal injury including loss of life or body parts.

WARNING

Safety Instructions For Power Tools

5. **KEEP CHILDREN AND VISITORS AWAY.** All children and visitors should be kept a safe distance from work area.
6. **MAKE WORK SHOP CHILD PROOF** with padlocks, master switches, or by removing starter keys.

WARNING

Safety Instructions For Power Tools

- 9. USE PROPER EXTENSION CORD.** Make sure your extension cord is in good condition. When using an extension cord, be sure it is rated Hard Service (grade S) or better. Conductor size must be 16 A.W.G. for cords up to 100 feet in length. An undersized cord will cause a drop in line voltage resulting in loss of power and overheating. Your extension cord must also contain a ground wire and plug pin. Always repair or replace extension cords if they become damaged. Minimum Gage for extension cord:
- | | |
|-----------|-------|
| 16 A.W.G. | 50ft |
| 16 A.W.G. | 100ft |
| 14 A.W.G. | 200ft |
| 12 A.W.G. | 300ft |
- 10. WEAR PROPER APPAREL.** Do not wear loose clothing, gloves, neckties, rings, bracelets, or other jewelry which may get caught in moving parts. Non-slip footwear is recommended. Wear protective hair covering to contain long hair.
- 11. ALWAYS USE SAFETY GLASSES.** Also use face or dust mask if cutting operation is dusty. Everyday eyeglasses only have impact resistant lenses, they are NOT safety glasses.
- 12. SECURE WORK.** Use clamps or a vise to hold work when practical. It's safer than using your hand and frees both hands to operate tool.
- 13. DON'T OVERREACH.** Keep proper footing and balance at all times.
- 14. MAINTAIN TOOLS WITH CARE.** Keep tools sharp and clean for best and safest performance. Follow instructions for lubricating and changing accessories.
- 15. DISCONNECT TOOLS** before servicing and changing accessories, such as blades, bits, cutters, and the like.
- 16. REDUCE THE RISK OF UNINTENTIONAL STARTING.** Make sure switch is in off position before plugging in.
- 17. USE RECOMMENDED ACCESSORIES.** Consult the owner's manual for recommended accessories. The use of improper accessories may cause risk of injury.
- 18. CHECK DAMAGED PARTS.** Before further use of the tool, a guard or other part that is damaged should be carefully checked to determine that it will operate properly and perform its intended function. Check for alignment of moving parts, binding of moving parts, breakage of parts, mounting, and any other conditions that may affect its operation. A guard or other part that is damaged should be properly repaired or replaced.
- 19. DIRECTION OF FEED.** Feed work into a blade or cutter against the direction of rotation of the blade or cutter only.
- 20. NEVER LEAVE TOOL RUNNING UNATTENDED. TURN POWER OFF.** Don't leave tool until it comes to a complete stop.

WARNING

Additional Safety Instructions For The Dust Collector

1. This dust collector is to be used for wood dust collection only. **DO NOT** use this dust collector to pick up liquids and metal scrap including, but not limited to, nails and filings. *Metallic debris will contact the spinning impeller and could spark. The spark could then cause a sawdust explosion and severe fire hazard.* Also, **DO NOT** pick up material which cannot safely pass through the impeller such as solid wood scraps.
2. **DO NOT** place your hands or tools near the open inlet during operation for any reason including, but not limited to, unclogging material and testing suction. *The impeller could cause serious damage to body parts if touched while spinning.*
3. Problems concerned with any moving part(s) or accessories must be investigated and corrected with the power disconnected and after everything has come to a complete stop.
4. Suspended dust particles in conjunction with an ignition source, may cause an explosion. **DO NOT** operate the dust collector in areas where explosion risks would be high if dust were dispersed into the area. Areas of high risk include, but are not limited to, areas near pilot lights and/or open flames.
5. **DO NOT** allow steel to strike against steel which may produce a spark. Sparks can smolder in wood dust for a long time before fire or flame is detected. If metal contacts metal during operation, immediately turn off the dust collector, unplug the power cord from the outlet or throw the disconnect and wait for all moving parts to stop. Remove collection bags and empty the dust into an approved air tight metal container in case of spark and remedy the metal to metal contact problem before resuming operation.
6. When emptying dust from the collection bags, wear a respirator and safety glasses. Empty dust into an approved container and dispose of properly.

CAUTION

No list of safety guidelines can be complete. Every shop environment is different. Always consider safety first, as it applies to your individual working conditions. Use this and other machinery with caution and respect. **Failure to do so could result in serious personal injury, damage to equipment or poor work results.**

SECTION 2: GENERAL INFORMATION

Grizzly Industrial, Inc. is proud to introduce the Model G1163 Portable Dust Collector. This dust collector is a part of Grizzly's growing family of fine machinery. When used according to the guidelines described in this manual, you can expect years of trouble-free, enjoyable operation and proof of Grizzly's commitment to customer satisfaction.

The G1163 Dust Collector features 450 cubic feet per minute of air movement and has a static pressure rating of 2.76". Standard features include a 1 H.P. motor, push button switch, a 2.0 cubic feet collection bag, and wall mounting brackets. We also offer a full line of optional accessories to connect this dust collector to your woodworking machines. Please refer to our current catalog for prices and ordering information.

We are also pleased to provide this manual with the G1163. It was written to guide you through assembly, review safety considerations, and cover general operating procedures. It represents our latest effort to produce the best documentation possible. If you have any criticisms that you feel we should pay attention to in our next printing, please write to us at the address below:

Grizzly Industrial, Inc.
% Technical Documentation
P.O. Box 2069
Bellingham, WA 98227-2069

Most importantly, we stand behind our machines. We have excellent regional service departments at your disposal, should the need arise. If, after reviewing this manual carefully, you have any service questions or parts requests, please call or write us at the location listed below.

Grizzly Industrial, Inc.
1203 Lycoming Mall Circle
Muncy, PA 17756
Phone: (570) 546-9663
FAX: 1-800-438-5901
E-Mail: techsupport@grizzly.com
Web Site: <http://www.grizzly.com>

To operate this, or any power tool, safely and efficiently, it is essential to become as familiar with its characteristics as possible. Take as much time as necessary to become acquainted with the Model G1163. The time you invest before you begin to use your machine will be time well spent. Also, read all of the safety procedures. If you do not understand something, **DO NOT** operate the machine.



Unpacking

The Model G1163 Dust Collector is shipped from the manufacturer in a carefully packed carton. If you discover the machine is damaged after you've signed for delivery, *please call Customer Service immediately for advice.*

Save the containers and all packing materials for possible inspection by the carrier or its agent. *Otherwise filing a freight claim can be difficult.*

WARNING

The G1163 is a relatively heavy and awkward machine (70 lb shipping weight). Improper lifting practices could cause serious personal injury. **DO NOT** over-exert yourself while unpacking or moving your machine – get assistance if needed.

CAUTION

Use care when handling stamped metal parts. Though they're inspected at the factory for small burrs along the edges, an occasional imperfection may escape detection. Failure to use caution while handling could result in personal injury.

WARNING

DO NOT attempt to power up the machine before it has been fully assembled and adjusted according to the instructions in this manual. Ensure that the switch is off, power is disconnected while assembling. **Serious personal injury may result.**



Piece Inventory

With all the parts removed from the container, you should have:

- Collector Body and Fan/Motor Assembly
- Base
- Handle Bar
- Casters
- Collection Bag
- Hose Clamps
- Fasteners
 - Flat HD Screws 1/4" - 20 x 1 1/4"
 - Special Bolts 1/4" - 20 x 1/2"

In the event that any non-proprietary parts are missing (e.g. a nut or a washer), we would be glad to replace them, or, for the sake of expediency, replacements can be obtained at your local hardware store.

NOTE

A full parts list and breakdown can be found toward the end of this manual. For easier assembly, or to identify missing parts, please refer to the detailed illustrations at the end of the manual.



When placing the G1163 Dust Collector in your shop, three major considerations should be addressed - working clearances, lighting and electrical, and circuit loading. Each of these considerations will have a dramatic impact on the performance and safety of this machine.

WORKING CLEARANCES

Working clearances can be defined as the safe distance between other machines and obstacles that may limit material being processed, or person(s) operating those machines. Consider existing and anticipated machine needs, anticipated size of material to be processed through each machine, and space for auxiliary stands and/or work tables. You may also want to consider the relative position of each machine to one another for efficient material handling. Be sure to allow yourself sufficient room to safely operate your machines **in any foreseeable operation.**

LIGHTING AND ELECTRICAL

Lighting should be bright enough to eliminate shadows and prevent eye strain. Electrical circuits should be dedicated or large enough to handle motor amp loads and proper lighting. Outlets should be located near each machine so power or extension cords are not obstructing high-traffic areas. Be sure to observe local electrical codes for proper installation if you are adding new outlets, lighting, or circuits. **Work areas should also be well protected from rain and other sources of moisture.**

This machine must be grounded. There is no exception to this requirement. Do not remove the grounding prong from the power cord. Be sure the receptacle is properly grounded. If you are not sure of the circuit, contact a licensed electrician.

Extension Cords: If used, extension cords must be rated "Hard Service" – Grade SJ – or better. Conductor size should be 14 AWG for cords to 50' in length. Cord must be properly grounded. Repair or replace extension cords if they become worn or damaged.

CIRCUIT LOADING

The Model G1163 Portable Dust Collector draws approximately 10 amps under normal operating conditions, and should be fused at 15 amps to provide safe surge protection.

WARNING

This machine must be grounded. Do not remove the grounding prong from the power cord. Be sure the receptacle is grounded. If you are not sure about proper grounding, consult an electrician. **Serious personal injury may result.**

WARNING

DO NOT attempt to use the Model G1163 or other power tools or machinery when rain, snow or other sources of excess moisture are present. Use in the presence of water may result in electrocution. **Serious personal injury may result.**

CAUTION

DO NOT operate the Model G1163 on circuits fused at more than 15 amps. Inadequate fuse protection could result in damage to the motor and possible fire hazard if overheating occurs. Warranty coverage will be voided if evidence of improper fusing is visible.

CAUTION

If you are unsure of the suitability of circuits you are planning to use for this or other machines in your shop, contact a licensed electrician for any necessary re-wiring or repairs. Using faulty or improperly grounded circuits could result in electrical shock, fire, or other source of personal injury and property damage.

SECTION 3: ASSEMBLY

Beginning Assembly

Assembly of the G1163 is easily accomplished. We have organized the assembly process into the following sections:

- A. Base
- B. Handle Bar
- C. Collector Body and Fan/Motor Assembly
- D. Collection Bag
- E. Wall Mount Bracket

Please follow the assembly process in the order in which we have presented it here. You will find that some pre-assembly has been done at the factory. For example, the motor and switch are already mounted to the collector body and the fan is mounted to the motor shaft. To aid assembly, please spend some time with the drawings and parts list to become familiar with all the parts before you begin.

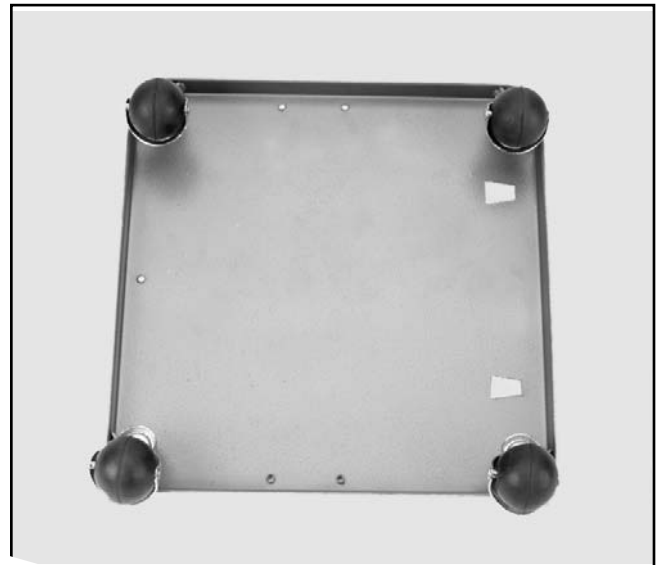


Figure 1. The G1163 assem



Base

Position the base plate upside down and locate the casters so they are within easy reach. Mount the casters to the base plate by pressing them into the 4 caster shank holes on the base. See Figure 2.



Castors in place on the base plate.



Handle Bar

Align the handle bar mounting holes on the bar and the base. Tighten with the four (4) flat head screws provided. **See Figure 3.**

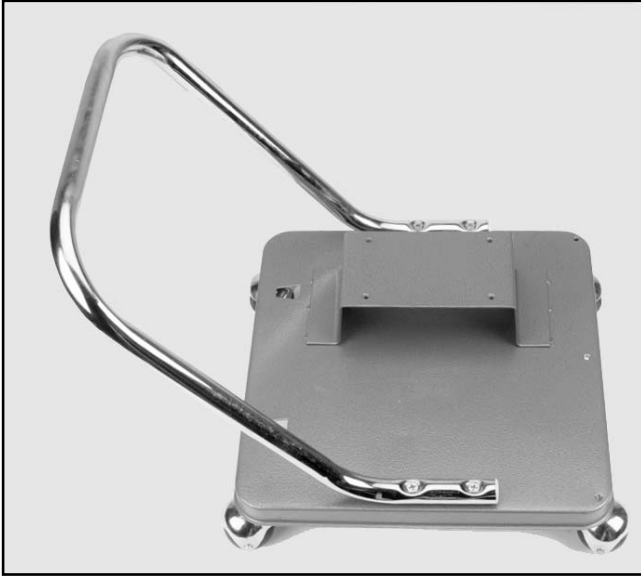


Figure 3. Handle bar attached to the base plate.



Collector Body/ Motor Assembly

Position the motor mounting holes over the holes on the raised platform on the base. Secure the motor with the four (4) bolts provided. **See Figure 4.**



Figure 4. Motor/collector body mounted on base.



Collection Bag

Fit the collection bag to the outfeed end of the collector body and secure with the provided clamp. **See Figure 5.**



Figure 5. Bag clamped to the outlet end of the collector body.



Wall Mount Bracket

This dust collector is wall mountable. Secure the two mounting brackets to your shop wall with four (4) screws or four (4) nails. The holes on the mounting brackets must be 6³/₄" apart to accommodate the width of the mounting holes on the base. (Some additional blocking may be required to ensure wall strength is sufficient to support the dust collector.) **See Figure 6.**

Also, mount your unit so that the collection bag just touches the floor when fully inflated. This will eliminate undue bag stretching and stress on the collector body when the bag begins to fill. Be sure that your floor surface is smooth so that the bag will not catch and be ripped or torn.

Figure 6. Mounted on wall bracket.



SECTION 4: OPERATIONS

Test Run

Please review the safety rules if you are not sure about the risks associated with operating this machine. Turn on the power supply at the main panel if not already on. Press the ON switch and be ready to switch OFF just in case there is a problem. The dust collector should run smoothly and be free of vibration or rubbing noises. Unusual or strange sounds or symptoms must be investigated and the problem corrected before proceeding further.

WARNING

Make sure the G1163 is unplugged or disconnected from the power source and moving parts have come to a complete stop before investigating any problems or performing any maintenance or adjustments. **Serious personal injury may occur.**

If everything is running smoothly, perform a test of the dust collector. Ensure that the collector picks up sawdust freely and easily. If it does not, review the assembly process and your duct system.



Set Up

The G1163 dust collector can be either operated as a mobile or stationary unit. There are advantages and disadvantages to both systems. The primary advantage of a mobile system is low expense of ducts and fittings. On the other hand a stationary system is more versatile and convenient. There are some basic considerations for each method.

In light of all the health concerns related to airborne dust, proper setup and installation cannot be overlooked.

You may wish to locate your dust collector away from the work area in an adjacent room or closet. If you do locate the dust collector in an adjacent room by running a duct through the wall, be sure there are no open flames and/or gas appliances with pilot lights. There is a risk of explosion if dust is dispersed into the air. You must also ensure that the volume of air entering the room or closet is properly vented back into the workshop.

WARNING

Ensure that all duct work is grounded to discharge the build-up of static electricity, particularly if using a plastic duct system. See System Grounding section. **Serious personal injury may occur.**



Mobile

For mobility, the G1163 is mounted on casters and can be moved within close proximity to your woodworking machines. You will need a flexible duct to connect each machine with a collection hood. If you wish to specifically direct air flow while the dust collector is attached to more than one machine, you will need to add a blast gate for each machine.

When moving the dust collector around the shop, you must consider clearances between obstacles and accessibility to convenient electrical outlets. A heavy-duty extension cord may be used if an outlet is not convenient. See Section 2 on Circuit Loading.



Stationary

The G1163 can be set up as a stationary unit, however keep in mind it can only service one machine at a time. The primary advantage of a stationary system is it eliminates the process of disconnecting and moving the dust collector, hoses and cords, and eliminates hoses and cords laying on the floor. Another advantage of a stationary system is it allows the dust collector to be located away from the work area, reducing noise and freeing up valuable workshop space. Grizzly offers a complete line of dust collection accessories for setting up a stationary system. Additionally, Grizzly offers a complete guide book entitled Dust Collection Basics for setting up stationary dust collection systems. Please refer to our current catalog for pricing and ordering information.

A stationary system configuration usually has a main duct with smaller ducts branching to each machine. The main duct should be located out of the way of normal operations and be accessible for the branch ducts. Branch ducts are permanently attached to each machine by way of collection hoods. Air flow is controlled by blast gates located in the branch ducts and near each machine. Remote switches, available from Grizzly, can be added to make the system even more convenient.

To design a stationary system, you must consider many interrelated factors such as, shop layout, woodworking machine capacities, and general duct efficiency. Design considerations for a stationary dust collection system are beyond the scope of this manual. As stated above, Dust Collection Basics, offered by Grizzly, is an excellent resource for dust collection questions.



System Grounding

Since plastic hose is abundant, relatively inexpensive, easily assembled, and airtight, it is a very popular material for conveying dust from woodworking machines to the dust collector. We recommend using flexible hose (flex-hose) to connect the woodworking machine to the dust collector. However, plastic piping, including plastic flex-hose, is an insulator, and dust particles moving against the walls of the pipe create a static electrical charge build-up. This charge will build until it discharges to ground. If a grounding medium is not available to prevent static electrical charge build-up, the electrical discharge will arc, similar to lightning. This electrical discharge may cause an explosion and subsequent fire inside the system.

To protect against static electrical charge build-up inside a non-conducting duct, a bare copper wire should be placed inside the duct along its length and grounded to the dust collector. Please ensure that the dust collector is continuously grounded through the electrical circuit to the electric service panel.

If you connect the dust collector to more than one machine by way of a non-conducting branching duct system and blast gates, the system must still be grounded as mentioned above. We recommend inserting a continuous bare copper grounding wire inside the entire duct system and attaching the wire to each grounded woodworking machine and dust collector.

Be sure that you extend the bare copper wire down all branches of the system. Do not forget to connect the wires to each other when two branches meet at a Y or T connection. Use wire nuts.

Ensure that the entire system is grounded. If using blast gates to direct air flow, the grounding wire must be jumped around the blast gate without interruption to the grounding system.

We also recommend wrapping the outside of all plastic ducts with bare copper wire to ground the outside of the system against static electricity build-up. Wire connections at Y's and T's should be made with wire nuts.

Attach the bare ground wire to each stationary woodworking machine and the dust collector frame with a ground screw. Ensure that each machine is continuously grounded to the grounding terminal in your electric service panel.

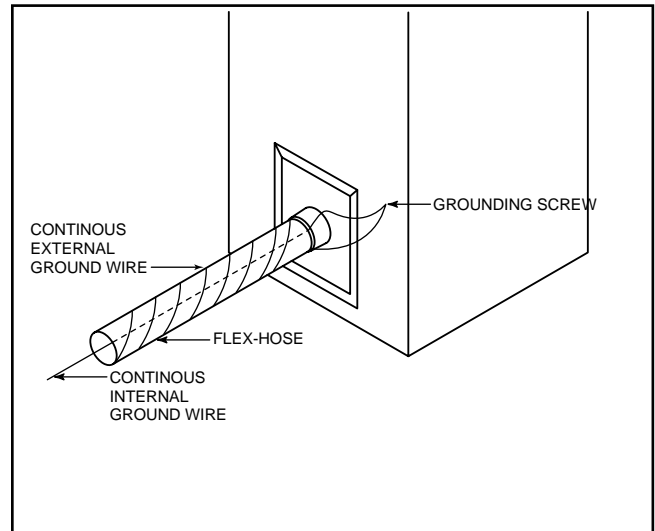


Figure 7. Shows duct system grounded to woodworking machine frame.

WARNING

This equipment must be grounded. Please ensure that the dust collector is continuously grounded from the motor to the machine frame and then to a known ground. Verify that any existing electrical outlet and circuit you intend to plug into is actually grounded. If it is not, it will be necessary to run a separate 12 A.W.G. copper grounding wire from the outlet to a known ground. Under no circumstances should the grounding pin from any three-pronged plug be removed. **Serious personal injury may occur.**



SECTION 6: CLOSURE

The following pages contain general machine data, parts diagram, parts list and Warranty/Return information for your Model G1163 Dust Collector.

If you need parts or help in assembling your machine, or if you need operational information, we encourage you to call our Service Department. Our trained service technicians will be glad to help you.

If you have comments dealing specifically with this manual, please write to our Bellingham, Washington location using the address in the Section 2 General Information section. The specifications, drawings, and photographs illustrated in this manual represent the Model G1163 as supplied when the manual was prepared. However, due to Grizzly's policy of continuous improvement, changes may be made at any time with no obligation on the part of Grizzly. Whenever possible, though, we send manual updates to all owners of a particular tool or machine. Should you receive one, add the new information to this manual and keep it for reference.

We have included some important safety measures that are essential to this machine's operation. While most safety measures are generally universal, Grizzly reminds you that each workshop is different and safety rules should be considered *as they apply to your specific situation*.

We recommend you keep a copy of our current catalog for complete information regarding Grizzly's warranty and return policy. If you need additional technical information relating to this machine, or if you need general assistance or replacement parts, please contact our Service Department listed in the General Information.

Additional information sources are necessary to realize the full potential of this machine. Trade journals, woodworking magazines, and your local library are good places to start.

WARNING

As with all power tools, there is danger associated with the Model G1163 Dust Collector. Use the tool with respect and caution to lessen the possibility of mechanical damage or operator injury. If normal safety precautions are overlooked or ignored, **serious personal injury may occur**.

WARNING

The Model G1163 was specifically designed for dust collection. **DO NOT MODIFY AND/OR USE THIS COLLECTOR FOR ANY OTHER PURPOSE. Modifications or improper use of this tool will void the warranty.** If you are confused about any aspect of this machine, **DO NOT** use it until you have answered all your questions. **Serious personal injury may occur.**



WARRANTY AND RETURNS

Grizzly Industrial, Inc. warrants every product it sells for a period of **1 year** to the original purchaser from the date of purchase. This warranty does not apply to defects due directly or indirectly to misuse, abuse, negligence, accidents, repairs or alterations or lack of maintenance. This is Grizzly's sole written warranty and any and all warranties that may be implied by law, including any merchantability or fitness, for any particular purpose, are hereby limited to the duration of this written warranty. We do not warrant or represent that the merchandise complies with the provisions of any law or acts unless the manufacturer so warrants. In no event shall Grizzly's liability under this warranty exceed the purchase price paid for the product and any legal actions brought against Grizzly shall be tried in the State of Washington, County of Whatcom.

We shall in no event be liable for death, injuries to persons or property or for incidental, contingent, special, or consequential damages arising from the use of our products.

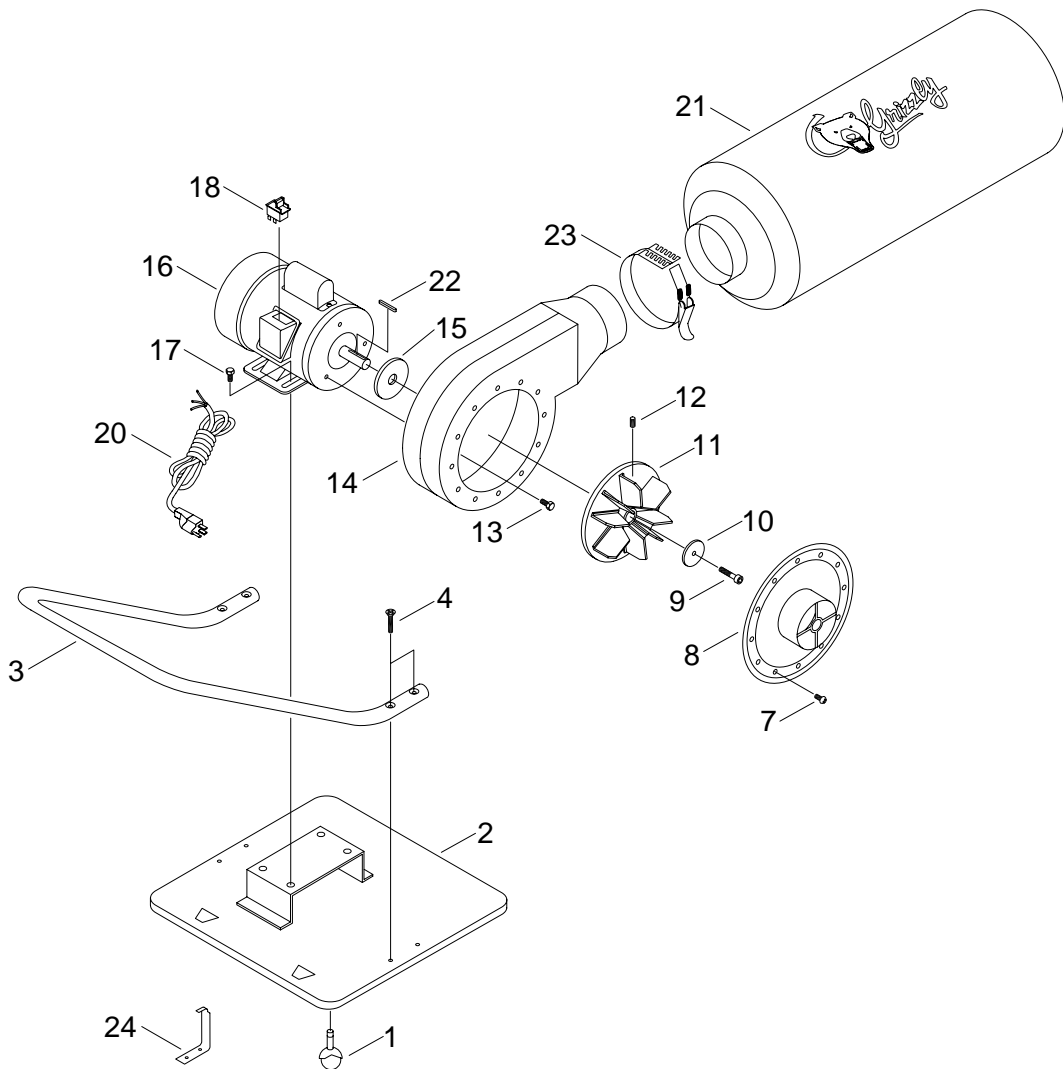
To take advantage of this warranty, contact us by mail or phone and give us all the details. We will then issue you a "Return Number", which must be clearly posted on the outside as well as the inside of the carton. We will not accept any item back without this number. Proof of purchase must accompany the merchandise.

The manufacturers reserve the right to change specifications at any time because they constantly strive to achieve better quality equipment. We make every effort to ensure that our products meet high quality and durability standards and we hope you never need to use this warranty.

Please feel free to write or call us if you have any questions about the machine or the manual.

Thank you again for your business and continued support. We hope to serve you again soon.

PARTS DIAGRAM AND PARTS LIST



REF	PART #	DESCRIPTION	REF	PART #	DESCRIPTION
001	P1163001	CASTER	014	P1163014	COLLECTOR BODY
002	P1163002	BASE	015	P1032019	PACKING
003	P1163003	HANDLE	016	P1032018	MOTOR
004	PFH16	FLAT HD SCREW 1/4" - 20 x 1 1/4"	017	PFB03	FLANGE BOLT 1/4" - 20 x 1/2"
007	PS09M	PHLP HD SCREW M5 - 0.8 x 10	018	PSW07	SWITCH
008	P1032006	INLET COVER	020	PWRCRD110L	POWER CORD
009	P1028007	LH CAP SCREW M6 - 1.0" x 19	021	G3591	COLLECTION/ FILTER BAG
010	P1028009	SPECIAL WASHER	022	PK34M	KEY 5 x 5 x 20
011	P1032009	TURBO FAN	023	P1163023	CLAMP
012	PSS02	SET SCREW 5/16" - 18 x 3/8"	024	P1163024	WALL MOUNT BRACKET
013	PB15	HEX BOLT 5/16" - 18 x 3/8"			



MACHINE DATA SHEET

Customer Service #: (570) 326-3806 • To Order Call: (800) 523-4777 • Fax #: (800) 438-5901

GRIZZLY MODEL G1163 PORTABLE DUST COLLECTOR

Design Type..... Floor Model

Overall Dimension & Specifications:

Base14" x 14"
Height19½"
Intake Hole Size4"
Bag Size24"x 13½"
Max Material Collection Capacity (Replacement Bags G3591)2.0 Cubic Feet
Bag MaterialFabric
Weight (Shipping).....70 lbs.
Impeller Size9"
Air Suction Capacity (CFM)450 CFM
Static Pressure (inches of water)2.76"

Construction:

BaseFabricated Sheet Metal with Casters
Radial Impeller.....³/₃₂" Steel, Riveted

Motor:

Type Capacitor-Start Induction Motor
Horsepower1HP
PhaseSingle Phase 110 / 220V
Voltage.....110 / 220V
Amps14.7
Cycle/ RPM60 Hertz/ 3450 RPM
BearingsSealed & Lubricated-for-Life, Ball Bearing
SwitchOn/Off Toggle with Safety Lock
AccessoryWall Mounting Bracket

Specifications, while deemed accurate, are not guaranteed.

WARRANTY CARD

Name _____
Street _____
City _____ State _____ Zip _____
Phone Number _____ E-Mail _____ FAX _____
MODEL # _____ Order # _____

The following information is given on a voluntary basis. It will be used for marketing purposes to help us develop better products and services. Of course, all information is strictly confidential.

1. How did you learn about us?
- | | |
|---|------------------------------------|
| <input type="checkbox"/> Advertisement | <input type="checkbox"/> Friend |
| <input type="checkbox"/> Catalog | <input type="checkbox"/> Card Deck |
| <input type="checkbox"/> World Wide Web | |
| Other _____ | |
2. Which of the following magazines do you subscribe to.
- | | |
|--|---|
| <input type="checkbox"/> American Woodworker | <input type="checkbox"/> Practical Homeowner |
| <input type="checkbox"/> Cabinetmaker | <input type="checkbox"/> Shop Notes |
| <input type="checkbox"/> Family Handyman | <input type="checkbox"/> Today's Homeowner |
| <input type="checkbox"/> Fine Homebuilding | <input type="checkbox"/> WOOD |
| <input type="checkbox"/> Fine Woodworking | <input type="checkbox"/> Wooden Boat |
| <input type="checkbox"/> Home Handyman | <input type="checkbox"/> Woodshop News |
| <input type="checkbox"/> Journal of Light Construction | <input type="checkbox"/> Woodsmith |
| <input type="checkbox"/> Old House Journal | <input type="checkbox"/> Woodwork |
| <input type="checkbox"/> Popular Mechanics | <input type="checkbox"/> Woodworker |
| <input type="checkbox"/> Popular Science | <input type="checkbox"/> Woodworker's Journal |
| <input type="checkbox"/> Popular Woodworking | <input type="checkbox"/> Workbench |
| Other _____ | |
3. Which of the following woodworking/remodeling shows do you watch?
- | | |
|--|--|
| <input type="checkbox"/> Backyard America | <input type="checkbox"/> The New Yankee Workshop |
| <input type="checkbox"/> Home Time | <input type="checkbox"/> This Old House |
| <input type="checkbox"/> The American Woodworker | <input type="checkbox"/> Woodwright's Shop |
| Other _____ | |
4. What is your annual household income?
- | | |
|--|--|
| <input type="checkbox"/> \$20,000-\$29,999 | <input type="checkbox"/> \$60,000-\$69,999 |
| <input type="checkbox"/> \$30,000-\$39,999 | <input type="checkbox"/> \$70,000-\$79,999 |
| <input type="checkbox"/> \$40,000-\$49,999 | <input type="checkbox"/> \$80,000-\$89,999 |
| <input type="checkbox"/> \$50,000-\$59,999 | <input type="checkbox"/> \$90,000 + |
5. What is your age group?
- | | |
|--------------------------------|--------------------------------|
| <input type="checkbox"/> 20-29 | <input type="checkbox"/> 50-59 |
| <input type="checkbox"/> 30-39 | <input type="checkbox"/> 60-69 |
| <input type="checkbox"/> 40-49 | <input type="checkbox"/> 70 + |
6. How long have you been a woodworker?
- | | |
|--------------------------------------|---------------------------------------|
| <input type="checkbox"/> 0 - 2 Years | <input type="checkbox"/> 8 - 20 Years |
| <input type="checkbox"/> 2 - 8 Years | <input type="checkbox"/> 20+ Years |
7. How would you rank your woodworking skills?
- | | |
|---------------------------------------|---|
| <input type="checkbox"/> Simple | <input type="checkbox"/> Advanced |
| <input type="checkbox"/> Intermediate | <input type="checkbox"/> Master Craftsman |
8. What stationary woodworking tools do you own? Check all that apply.
- | | |
|--|--|
| <input type="checkbox"/> Air Compressor | <input type="checkbox"/> Panel Saw |
| <input type="checkbox"/> Band Saw | <input type="checkbox"/> Planer |
| <input type="checkbox"/> Drill Press | <input type="checkbox"/> Power Feeder |
| <input type="checkbox"/> Drum Sander | <input type="checkbox"/> Radial Arm Saw |
| <input type="checkbox"/> Dust Collector | <input type="checkbox"/> Shaper |
| <input type="checkbox"/> Horizontal Boring Machine | <input type="checkbox"/> Spindle Sander |
| <input type="checkbox"/> Jointer | <input type="checkbox"/> Table Saw |
| <input type="checkbox"/> Lathe | <input type="checkbox"/> Vacuum Veneer Press |
| <input type="checkbox"/> Mortiser | <input type="checkbox"/> Wide Belt Sander |
| Other _____ | |
9. How many of your woodworking machines are Grizzly? _____
10. Which benchtop tools do you own? Check all that apply.
- | | |
|---|---|
| <input type="checkbox"/> 1" x 42" Belt Sander | <input type="checkbox"/> 6" - 8" Grinder |
| <input type="checkbox"/> 5" - 8" Drill Press | <input type="checkbox"/> Mini Lathe |
| <input type="checkbox"/> 8" Table Saw | <input type="checkbox"/> 10" - 12" Thickness Planer |
| <input type="checkbox"/> 8" - 10" Bandsaw | <input type="checkbox"/> Scroll Saw |
| <input type="checkbox"/> Disc/Belt Sander | <input type="checkbox"/> Spindle/Belt Sander |
| <input type="checkbox"/> Mini Jointer | |
| Other _____ | |
11. How many of the machines checked above are Grizzly? _____
12. Which portable/hand held power tools do you own? Check all that apply.
- | | |
|---|--|
| <input type="checkbox"/> Belt Sander | <input type="checkbox"/> Orbital Sander |
| <input type="checkbox"/> Biscuit Joiner | <input type="checkbox"/> Palm Sander |
| <input type="checkbox"/> Circular Saw | <input type="checkbox"/> Portable Planer |
| <input type="checkbox"/> Detail Sander | <input type="checkbox"/> Saber Saw |
| <input type="checkbox"/> Drill/Driver | <input type="checkbox"/> Reciprocating Saw |
| <input type="checkbox"/> Miter Saw | <input type="checkbox"/> Router |
| Other _____ | |
13. What machines/supplies would you like Grizzly Industrial to carry?
- | | |
|---|---|
| <input type="checkbox"/> 12" Table Saw | <input type="checkbox"/> Radial Arm Saw |
| <input type="checkbox"/> 12" Jointer | <input type="checkbox"/> Panel Saw |
| <input type="checkbox"/> Combination Planer/Jointer | <input type="checkbox"/> Brass Hardware |
| <input type="checkbox"/> Paint & Finishing Supplies | <input type="checkbox"/> Lumber |
| <input type="checkbox"/> Contractor's Supplies | |
| Other _____ | |
14. What new accessories would you like Grizzly Industrial to carry?
- | | |
|--|--|
| <input type="checkbox"/> Builders Hardware | <input type="checkbox"/> Hand Tools |
| <input type="checkbox"/> Fasteners | <input type="checkbox"/> Wood Components |
| Other _____ | |
15. What other companies do you purchase your tools and supplies from?
- _____
- _____
16. Do you think your purchase represents good value?
- | | |
|------------------------------|-----------------------------|
| <input type="checkbox"/> Yes | <input type="checkbox"/> No |
|------------------------------|-----------------------------|
17. Would you recommend Grizzly Imports to a friend?
- | | |
|------------------------------|-----------------------------|
| <input type="checkbox"/> Yes | <input type="checkbox"/> No |
|------------------------------|-----------------------------|
18. Would you allow us to use your name as a reference for Grizzly customers in your area? **Note: We never use names more than three times.**
- | | |
|------------------------------|-----------------------------|
| <input type="checkbox"/> Yes | <input type="checkbox"/> No |
|------------------------------|-----------------------------|
19. Comments: _____
- _____
- _____
- _____

CUT ALONG DOTTED LINE

FOLD ALONG DOTTED LINE

Place
Stamp
Here



**GRIZZLY INDUSTRIAL, INC.
P.O. BOX 2069
BELLINGHAM, WA 98227-2069**

FOLD ALONG DOTTED LINE

Send a Grizzly Catalog to a friend:

Name _____
Street _____
City _____ State _____ Zip _____

TAPE ALONG EDGES--PLEASE DO NOT STAPLE

Free Manuals Download Website

<http://myh66.com>

<http://usermanuals.us>

<http://www.somanuals.com>

<http://www.4manuals.cc>

<http://www.manual-lib.com>

<http://www.404manual.com>

<http://www.luxmanual.com>

<http://aubethermostatmanual.com>

Golf course search by state

<http://golfingnear.com>

Email search by domain

<http://emailbydomain.com>

Auto manuals search

<http://auto.somanuals.com>

TV manuals search

<http://tv.somanuals.com>