

# *Grizzly* *Industrial, Inc.*®

## ANGLE GRINDER MODEL G5968/9 INSTRUCTION MANUAL



COPYRIGHT © DECEMBER 2003 BY GRIZZLY INDUSTRIAL, INC.  
WARNING: NO PORTION OF THIS MANUAL MAY BE REPRODUCED IN ANY SHAPE  
OR FORM WITHOUT THE WRITTEN APPROVAL OF GRIZZLY INDUSTRIAL, INC.  
#5907 PRINTED IN CHINA

# WARNING

Some dust created by power sanding, sawing, grinding, drilling, and other construction activities contains chemicals known to the State of California to cause cancer, birth defects or other reproductive harm. Some examples of these chemicals are:

- Lead from lead-based paints.
- Crystalline silica from bricks, cement, and other masonry products.
- Arsenic and chromium from chemically treated lumber.

Your risk from these exposures varies, depending on how often you do this type of work. To reduce your exposure to these chemicals: work in a well ventilated area, and work with approved safety equipment, such as those dust masks that are specially designed to filter out microscopic particles.

# SAFETY

## **WARNING**

### **For Your Own Safety Read Instruction Manual Before Operating This Equipment**

The purpose of safety symbols is to attract your attention to possible hazardous conditions. This manual uses a series of symbols and signal words which are intended to convey the level of importance of the safety messages. The progression of symbols is described below. Remember that safety messages by themselves do not eliminate danger and are not a substitute for proper accident prevention measures.



Indicates an imminently hazardous situation which, if not avoided, WILL result in death or serious injury.



Indicates a potentially hazardous situation which, if not avoided, COULD result in death or serious injury.



Indicates a potentially hazardous situation which, if not avoided, MAY result in minor or moderate injury. It may also be used to alert against unsafe practices.

### **NOTICE**

This symbol is used to alert the user to useful information about proper operation of the equipment.

## **WARNING**

### **Safety Instructions For Power Tools**

- KEEP ALL SAFETY DEVICES IN PLACE** and in working order.
- REMOVE ADJUSTING KEYS AND WRENCHES.** Form habit of checking to see that keys and adjusting wrenches are removed from tool before turning on.
- KEEP WORK AREA CLEAN.** Cluttered areas and benches invite accidents.
- DO NOT USE IN DANGEROUS ENVIRONMENT.** DO NOT use power tools in damp or wet locations, or where any flammable or noxious fumes may exist. Keep work area well lighted.
- KEEP CHILDREN AND VISITORS AWAY.** All children and visitors should be kept at a safe distance from work area.
- MAKE WORK SHOP CHILD PROOF** with padlocks, master switches, or by removing starter keys.
- DO NOT FORCE TOOL.** It will do the job better and safer at the rate for which it was designed.
- USE RIGHT TOOL.** DO NOT force tool or attachment to do a job for which it was not designed.

# WARNING

## Safety Instructions For Power Tools

9. **USE PROPER EXTENSION CORD** for the tool. Make sure your extension cord is in good condition. Conductor size should be in accordance with the chart below. The amperage rating should be listed on the motor or tool nameplate. An undersized cord will cause a drop in line voltage resulting in loss of power and overheating. Your extension cord must also contain a ground wire and plug pin. Always repair or replace extension cords if they become damaged.

### Minimum Gauge for Extension Cords

AMP RATING	LENGTH		
	25ft	50ft	100ft
0-6	16	16	16
7-10	16	16	14
11-12	16	16	14
13-16	14	12	12
17-20	12	12	10
21-30	10	10	No

10. **WEAR PROPER APPAREL.** DO NOT wear loose clothing, gloves, neckties, rings, bracelets, or other jewelry which may get caught in moving parts. Non-slip footwear is recommended. Wear protective hair covering to contain long hair.
11. **ALWAYS USE SAFETY GLASSES.** Also use face or dust mask if cutting operation is dusty. Everyday eye-glasses only have impact resistant lenses, they are NOT safety glasses.
12. **SECURE WORK.** Use clamps or a vise to hold work when practical. It's safer than using your hand and frees both hands to operate tool.
13. **DO NOT OVERREACH.** Keep proper footing and balance at all times.

14. **MAINTAIN TOOLS WITH CARE.** Keep tools sharp and clean for best and safest performance. Follow instructions for lubricating and changing accessories.
15. **DISCONNECT TOOLS** before servicing and changing accessories, such as blades, bits, cutters, and the like.
16. **REDUCE THE RISK OF UNINTENTIONAL STARTING.** Make sure switch is in off position before plugging in.
17. **USE RECOMMENDED ACCESSORIES.** Consult the owner's manual for recommended accessories. The use of improper accessories may cause risk of injury.
18. **CHECK DAMAGED PARTS.** Before further use of the tool, a guard or other part that is damaged should be carefully checked to determine that it will operate properly and perform its intended function. Check for alignment of moving parts, binding of moving parts, breakage of parts, mounting, and any other conditions that may affect its operation. A guard or other part that is damaged should be properly repaired or replaced.

## CAUTION

No list of safety guidelines can be complete. Every shop environment is different. Always consider safety first, as it applies to your individual working conditions. Use this and other machinery with caution and respect. Failure to do so could result in serious personal injury, damage to equipment or poor work results.

# INTRODUCTION

## Commentary

We are proud to offer the Grizzly Model G5968/9. The Model G5968/9 Angle Grinder is part of a growing Grizzly family of fine power tools. When used according to the guidelines set forth in this manual, you can expect years of trouble-free, enjoyable operation and proof of Grizzly's commitment to customer satisfaction.

The Model G5968/9 Angle Grinder is the perfect grinder for detailed grinding tasks in hard to reach places. Cleaning up welds, making bevels, and cutting thin material are just some of the ways the angle grinder can be used. When fitted with attachments, sanding, rust removal, and polishing metal and other materials are a few of the tasks that can be accomplished.

We are pleased to provide this manual with the Model G5968/9. It was written to encourage safety considerations and guide you through general operating procedures and maintenance. It represents our effort to produce the best documentation possible.

The specifications, details, and photographs in this manual represent the Model G5968/9 as supplied when the manual was prepared. However, owing to Grizzly's policy of continuous improvement, changes may be made at any time with no obligation on the part of Grizzly. If you have any comments regarding this manual, please write to us at the address below:

Grizzly Industrial, Inc.  
% Technical Documentation  
P.O. Box 2069  
Bellingham, WA 98227-2069

G5968/9 Angle Grinder

Most importantly, we stand behind our tools. If you have any service questions or parts requests, please call or write us at the location listed below.

Grizzly Industrial, Inc.  
1203 Lycoming Mall Circle  
Muncy, PA 17756  
Phone: (570) 546-9663  
Fax: (800) 438-5901  
E-Mail: [techsupport@grizzly.com](mailto:techsupport@grizzly.com)  
Web Site: <http://www.grizzly.com>

## CAUTION

**To operate this, or any power tool, safely and efficiently, it is essential to become as familiar with its characteristics as possible. The time you invest before you begin to use your Model G5968/9 Angle Grinder will be time well spent. DO NOT operate this equipment until you are completely familiar with the contents of this manual. Make sure you read and understand all of the safety procedures. If you do not understand something, DO NOT operate the equipment.**

## WARNING

**Damage to your eyes, lungs, and ears could result from failure to wear safety glasses, a respirator and hearing protection while using this equipment. Make sure proper filter is worn while wearing respirator.**



# OPERATION INSTRUCTIONS

---

## Selecting Abrasive

The best results from your Model G5968/9 Angle Grinder will be accomplished using the proper grit abrasive. As a rule, you will want to start with a more coarse grinding or sanding grit for removing large defects or rough spots, then work through finer grits until you achieve the smoothness and quality you desire.

With the disc you have determined to be sufficient for the job, and having a firm grip on the grinder, squeeze the trigger and grind the work evenly. Always keep the grinder moving to prevent gouge marks. If you stay in one place too long, then the grinder will produce a depression in the work that will compromise your finish.

Experiment in a small corner or area that is not very noticeable on your project. Ideally, you want to achieve the balance of removing defects without damaging your work.

## Installing Abrasive Disc or Attachments

Make sure the grinder is disconnected from the power source and remove the spanner nut. Place the grinding disc or attachment over the arbor and secure it with the spanner nut. Using the wrenches provided, hold the arbor with the wrench and tighten the spanner nut with the spanner wrench. To remove abrasive discs, or attachments, follow the steps just performed. Note—*Model G5968 has a spindle lock button so a wrench is not necessary on the arbor. Just push the spindle lock button on the top of the grinder to lock the spindle and use the spanner wrench to tighten or loosen the spanner nut.*

## Using the Grinder

- Inspect grinding disc for flaws. Never use a chipped or broken disc.
- Use only grinding discs made for this grinder. Never use a disc that requires modifications to the grinder.
- Never operate grinder without the guard in place.
- Pay attention to the direction the sparks are going while grinding. Flammable material must be kept at a safe distance while grinding.
- Make sure workpiece is secure. Use a vice or clamps when working with smaller workpieces.
- Always use two hands to hold the grinder.
- Never apply excessive force while grinding. Your grinder will last longer if you let “it” do the work. Using slight pressure barely greater than the weight of the equipment is ideal because you can still maintain control.
- For added control and comfort, a lock-on trigger switch is installed. The lock-on trigger switch is easy to operate—simply squeeze the trigger and push in the locking pin. To release the trigger, press the trigger in, then release to disengage the trigger lock.

# MAINTENANCE

## General

Regular periodic maintenance on your Model G5968/9 Angle Grinder will ensure its optimum performance. Make a habit of inspecting your grinder each time you use it. Check for the following conditions and repair or replace when necessary:

- Loose fasteners.
- Worn switch.
- Worn or damaged cords and plugs.
- Any other condition that could hamper the safe operation of this equipment.

## Keeping Tool Clean

The Model G5968/9 Angle Grinder will give you years of trouble free service if you keep it clean and free of built-up dust or grime. Ensure that no air passages get blocked. If they do, blow them out with compressed air.

Plastic parts can easily be cleaned with a damp cloth, but never use water to clean any electrical parts. Solvents should also be avoided on plastic because of the possibility of damage.

### **WARNING**

**Wear safety glasses when cleaning tool with compressed air.**

## Brushes

The brushes need to be checked periodically to ensure optimum performance. If the brushes need to be replaced, simply unscrew the plastic cap on both sides of the grinder back by the trigger. Pull out and inspect the brushes. Either re-install or replace the brushes at this time.

## Repair and Service

All quality tools will eventually wear from normal use. Since the grinder is encased in a double insulated plastic cover, leave repair and service issues to a qualified service technician.

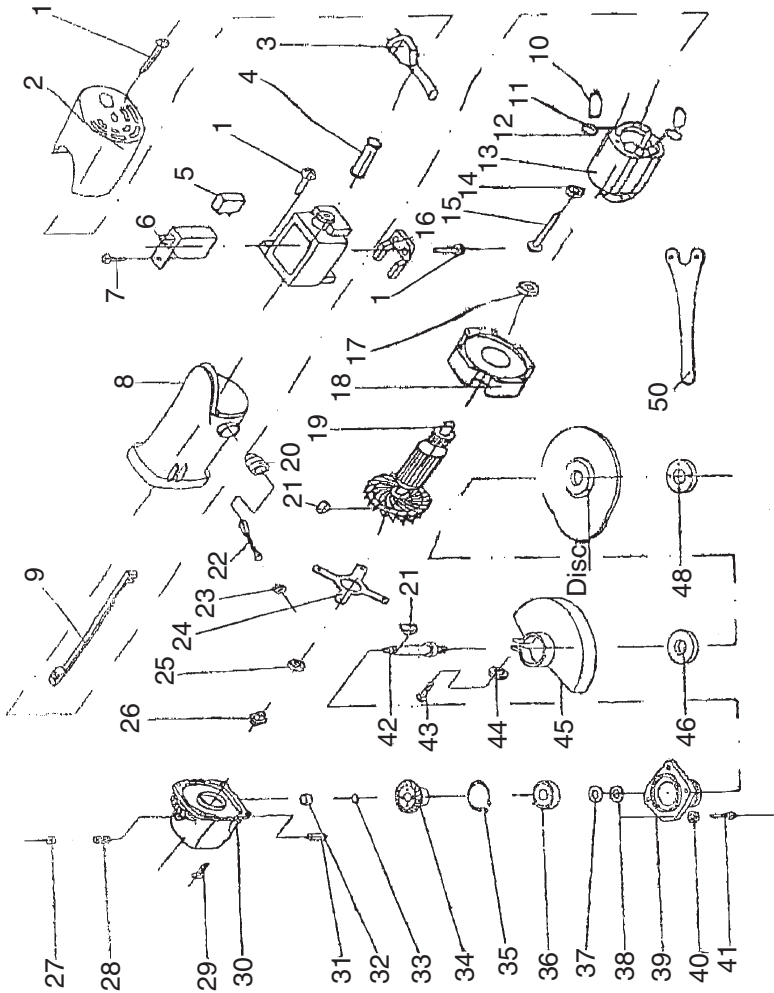
## Technical Data

Model:	G5968	G5969
Rated Voltage:	110V	110V
Rated Frequency:	60 Hz	60 Hz
Rated Power Input:	450W	700W
No-Load Speed:	11,000 RPM	10,000 RPM

### **WARNING**

**Disassembly and improper reassembly of this device can result in electrical shock danger. Always have this device serviced by a qualified electrical repair technician. Serious injury will result.**

# Model G5968 Parts Breakdown





## Model G5968 Parts List

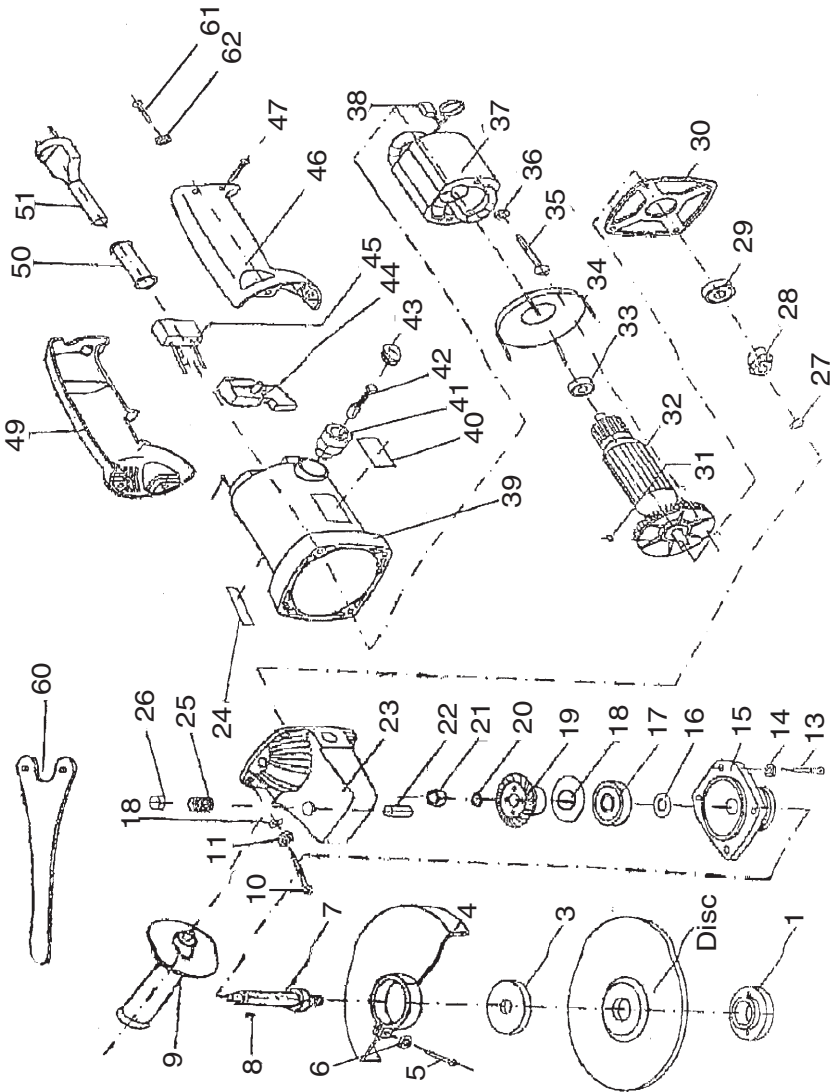
### REF PART # DESCRIPTION

1	PHTEK14M	TAP SCREW M4 X 6
2	P5968002	BACK COVER
3	P5968003	CORD
4	P5968004	CORD GUARD
5	P5968005	CAPACITANCE
6	P5968006	SWITCH
7	PHTEK15M	TAP SCREW M4 X 10
8	P5968008	HOUSING
9	P5968009	SWITCH ROD LINK
10	P5968010	CHOKE
11	P5968011	PROTECT RING
12	P5968012	TOUCH SPRING
13	P5968013	STATOR
14	PLW02M	LOCK WASHER 4MM
15	P5968015	TAP SCREW M4 X 70
16	P5968016	CORD CLIP
17	P626	BEARING 626-RS
18	P5968018	FAN GUIDE
19	P5968019	ARMATURE
20	P5968020	BRUSH HOLDER
21	P5968021	WOODRUFF KEY #202
22	P5968022	CARBON BRUSH
23	P5968023	BRUSH CAP
24	P5968024	INNER COVER

### REF PART # DESCRIPTION

25	P626	BEARING 626-RS
26	P5968026	GEAR
27	P5968027	SPINDLE LOCK
28	P5968028	SPRING
29	PHTEK16M	TAPSCREW M5 X 25
30	P5968030	GEAR HOUSING
31	P5968031	BRAKE PIN
32	P5968032	BEARING 8E8*12*10
33	PR05M	EXT RET RING 15MM
34	P5968034	GEAR
35	P5968035	RETAINING PLATE
36	P6201	BEARING 6201-2RS
37	P5968037	ASPHALT FELT
38	PW05M	FLAT WASHER 4MM
39	P5968039	PACKING GLAND
40	PLW02M	LOCK WASHER 4MM
41	PS02M	PHLP SCR M4-.7 X 12
42	P5968042	SPINDLE
43	PS02M	PHLP SCR M4-.7 X 12
44	PLW02M	LOCK WASHER 4MM
45	P5968045	WHEEL GUARD
46	P5968046	WHEEL FLANGE
48	P5968048	WHEEL NUT
50	P5968050	SPANNER WRENCH

# Model G5969 Parts Breakdown



## Model G5969 Parts List

**REF PART # DESCRIPTION**

1	P5969001	WHEEL NUT
3	P5969003	WHEEL FLANGE
4	P5969004	WHEEL GUARD
5	PS06M	PHLP SCR M5-.8 X 20
6	PLW01M	LOCK WASHER 5MM
7	P5969007	SPINDLE
8	P5969008	WOODRUFF KEY #202
9	P5969009	SIDE HANDLE
10	PS56M	PHLP SCR M4-.7 X 16
11	PLW01M	LOCK WASHER 5MM
13	PS40M	PHLP SCR M5-.8 X 16
14	PLW01M	LOCK WASHER 5MM
15	P5969015	PACKING GLAND
16	P5969016	ASPHALT FELT
17	P6202	BEARING 6202-RS
18	P5969018	RETAINING PLATE
19	P5969019	GEAR
20	PR05M	EXT RET RING 15MM
21	P6000	BALL BEARING 6000
22	P5969022	BRAKE PIN
23	P5969023	GEAR HOUSING
24	P5969024	GRIZZLY LOGO LABEL
25	P5969025	SPRING
26	P5969026	SPINDLE LOCK
27	PR39M	EXT.RETAININGRING 8MM
28	P5969028	GEAR

**REF PART # DESCRIPTION**

29	P6204	BEARING 6204-RS
30	P5969030	INNER COVER
31	P5969031	WOODRUFF KEY #202
32	P5969032	ARMATURE
33	P608	BEARING 608-RS
34	P5969034	FAN GUIDE
35	P5969035	TAP SCREW M5 X 65
36	PLW01M	LOCK WASHER 5MM
37	P5969037	STATOR
38	P5969038	CHOKE
39	P5969039	HOUSING
40	P5969040	G5969 ID LABEL
41	P5969041	BRUSH HOLDER
42	P5969042	CARBON BRUSH
43	P5969043	BRUSH CAP
44	P5969044	SWITCH
45	P5969045	CAPACITANCE
46	P5969046	LEFT HANDLE
47	PHTEK17M	TAP SCREW M5 X 20
49	P5969049	RIGHT HANDLE
50	P5969050	CORD GUARD
51	P5969051	CORD
60	P5969060	SPANNER WRENCH
61	PHTEK16M	TAP SCREW M5 X 25
62	PW02M	FLAT WASHER 5MM

# WARRANTY AND RETURNS

---

Grizzly Industrial, Inc. warrants every product it sells for a period of 1 year to the original purchaser from the date of purchase. This warranty does not apply to defects due directly or indirectly to misuse, abuse, negligence, accidents, repairs or alterations or lack of maintenance. This is Grizzly's sole written warranty and any and all warranties that may be implied by law, including any merchantability or fitness, for any particular purpose, are hereby limited to the duration of this written warranty. We do not warrant or represent that the merchandise complies with the provisions of any law or acts unless the manufacturer so warrants. In no event shall Grizzly's liability under this warranty exceed the purchase price paid for the product and any legal actions brought against Grizzly shall be tried in the State of Washington, County of Whatcom.

We shall in no event be liable for death, injuries to persons or property or for incidental, contingent, special, or consequential damages arising from the use of our products.

To take advantage of this warranty, contact us by mail or phone and give us all the details. We will then issue you a "Return Number," which must be clearly posted on the outside as well as the inside of the carton. We will not accept any item back without this number. Proof of purchase must accompany the merchandise.

The manufacturers reserve the right to change specifications at any time because they constantly strive to achieve better quality equipment. We make every effort to ensure that our products meet high quality and durability standards and we hope you never need to use this warranty.

Please feel free to write or call us if you have any questions about the machine or the manual.

Grizzly Industrial, Inc.  
1203 Lycoming Mall Circle  
Muncy, PA 17756  
Phone: (570) 546-9663  
Fax: (800) 438-5901

E-Mail:  
techsupport@grizzly industrial.com

Web Site: <http://www.grizzly.com>

Thank you again for your business and continued support. We hope to serve you again soon.

# WARRANTY CARD

Name \_\_\_\_\_

Street \_\_\_\_\_

City \_\_\_\_\_ State \_\_\_\_\_ Zip \_\_\_\_\_

Phone Number \_\_\_\_\_ E-Mail \_\_\_\_\_ FAX \_\_\_\_\_

MODEL # G5968/9 Angle Grinder Order # \_\_\_\_\_

The following information is given on a voluntary basis. It will be used for marketing purposes to help us develop better products and services. Of course, all information is strictly confidential.

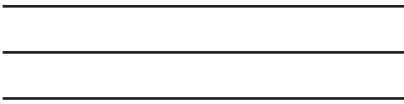
- How did you learn about us?  
 Advertisement  Friend  
 Catalog  Card Deck  
 World Wide Web  
 Other \_\_\_\_\_
- What is your annual household income?  
 \$20,000-\$29,999  \$60,000-\$69,999  
 \$30,000-\$39,999  \$70,000-\$79,999  
 \$40,000-\$49,999  \$80,000-\$89,999  
 \$50,000-\$59,999  \$90,000 +
- What is your age group?  
 20-29  50-59  
 30-39  60-69  
 40-49  70 +
- How long have you been a woodworker?  
 0 - 2 Years  8 - 20 Years  
 2 - 8 Years  20+ Years
- How would you rank your woodworking skills?  
 Simple  Advanced  
 Intermediate  Master Craftsman
- What stationary woodworking tools do you own?  
Check all that apply.  
 Air Compressor  Panel Saw  
 Band Saw  Planer  
 Drill Press  Power Feeder  
 Drum Sander  Radial Arm Saw  
 Dust Collector  Shaper  
 Spindle Sander  Jointer  
 Table Saw  Lathe  
 Mortiser  Wide Belt Sander  
 Horiz.Boring Machine  
 Vacuum Veneer Press  
 Other \_\_\_\_\_
- How many of your woodworking machines are Grizzly? \_\_\_\_\_
- Which benchtop tools do you own? Check all that apply.  
 1"x42" Belt Sander  6" - 8" Grinder  
 5" - 8" Drill Press  Mini Lathe  
 8" Table Saw  8" - 10" Bandsaw  
 Scroll Saw  Disc/Belt Sander  
 Spindle/Belt Sander  Mini Jointer  
 10"-12" Thickness Planer  
 Other \_\_\_\_\_
- How many of the machines checked above are Grizzly? \_\_\_\_\_
- Which portable/hand held power tools do you own?  
Check all that apply.  
 Belt Sander  Orbital Sander  
 Biscuit Joiner  Palm Sander  
 Circular Saw  Portable Planer  
 Detail Sander  Saber Saw  
 Drill/Driver  Reciprocating Saw  
 Miter Saw  Router  
 Other \_\_\_\_\_
- What machines/supplies would you like Grizzly Industrial to carry?  
 12" Table Saw  Radial Arm Saw  
 12" Jointer  Panel Saw  
 Brass Hardware  Lumber  
 Paint & Finishing Supplies  
 Contractor's Supplies  
 Combination Planer/Joiner  
 Other \_\_\_\_\_
- What new accessories would you like Grizzly Industrial to carry?  
 Builders Hardware  Hand Tools  
 Fasteners  
 Wood Components  
 Other \_\_\_\_\_
- What other companies do you purchase your tools and supplies from?  
\_\_\_\_\_  
\_\_\_\_\_  
\_\_\_\_\_
- Do you think your purchase represents good value?  
 Yes  No
- Would you recommend Grizzly to a friend?  
 Yes  No
- Would you allow us to use your name as a reference for Grizzly customers in your area? Note: We never use names more than three times.  
 Yes  No
- Comments: \_\_\_\_\_  
\_\_\_\_\_  
\_\_\_\_\_

Send a Grizzly Catalog to a friend:

Name_____
Street_____
City_____State_____Zip_____

FOLD ALONG DOTTED LINE

---



GRIZZLY INDUSTRIAL, INC.  
P.O. BOX 2069  
BELLINGHAM, WA 98227-2069

TAPE ALONG EDGES--PLEASE DO NOT STAPLE

## Free Manuals Download Website

<http://myh66.com>

<http://usermanuals.us>

<http://www.somanuals.com>

<http://www.4manuals.cc>

<http://www.manual-lib.com>

<http://www.404manual.com>

<http://www.luxmanual.com>

<http://aubethermostatmanual.com>

Golf course search by state

<http://golfingnear.com>

Email search by domain

<http://emailbydomain.com>

Auto manuals search

<http://auto.somanuals.com>

TV manuals search

<http://tv.somanuals.com>