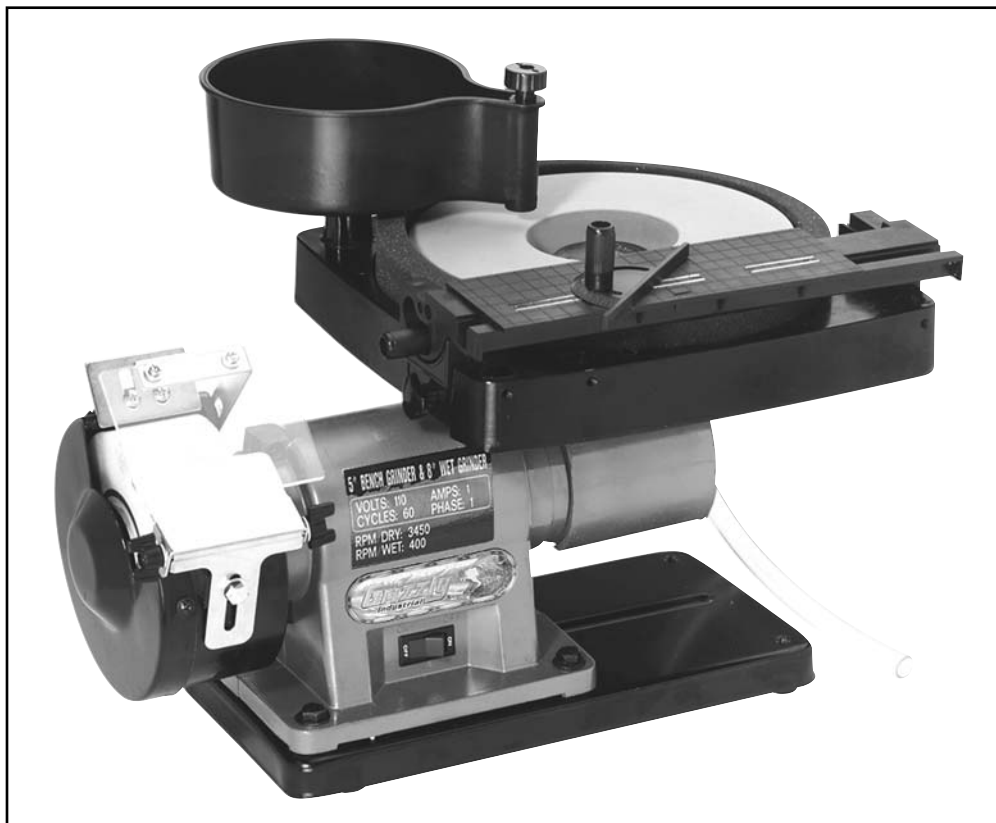


Grizzly **Industrial, Inc.**®

WET/DRY BENCH GRINDER MODEL G8220 INSTRUCTION MANUAL



COPYRIGHT ©2000 BY GRIZZLY INDUSTRIAL, INC.
**WARNING: NO PORTION OF THIS MANUAL MAY BE REPRODUCED IN ANY SHAPE
OR FORM WITHOUT THE WRITTEN APPROVAL OF GRIZZLY INDUSTRIAL, INC.**
JANUARY, 2000. PRINTED IN TAIWAN



WARNING!

Some dust created by power sanding, sawing, grinding, drilling, and other construction activities contains chemicals known to the State of California to cause cancer, birth defects or other reproductive harm. Some examples of these chemical are:

- **Lead from lead-based paints.**
- **Crystalline silica from bricks, cement and other masonry products.**
- **Arsenic and chromium from chemically-treated lumber.**

Your risk from these exposures varies, depending on how often you do this type of work. To reduce your exposure to these chemicals: Work in a well ventilated area, and work with approved safety equipment, such as those dust masks that are specially designed to filter out microscopic particles.

Table Of Contents

	PAGE
1. SAFETY	
SAFETY INSTRUCTIONS FOR POWER TOOLS	2-3
ADDITIONAL SAFETY INSTRUCTIONS FOR GRINDERS	4
2. CIRCUIT REQUIREMENTS	
110V OPERATION	5
FUSING	5
EXTENSION CORDS	5
GROUNDING	5
3. INTRODUCTION	
COMMENTARY	6
UNPACKING	7
PIECE INVENTORY	7
SITE CONSIDERATIONS	8
4. ASSEMBLY	
WATER RESERVOIR	9
TOOL REST/EYE SHIELD	9
TOOL REST - WET WHEEL.....	10
5. OPERATIONS	
OVERVIEW	11
WET WHEEL GRINDING	11
DRY WHEEL GRINDING	12
6. MAINTENANCE	
WHEEL REMOVAL	13
7. CLOSURE	14
MACHINE DATA SHEET	15
PARTS BREAKDOWN	16-18
WARRANTY AND RETURNS	BACK COVER

SECTION 1: SAFETY

WARNING

For Your Own Safety Read Instruction Manual Before Operating This Equipment

The purpose of safety symbols is to attract your attention to possible hazardous conditions. This manual uses a series of symbols and signal words which are intended to convey the level of importance of the safety messages. The progression of symbols is described below. Remember that safety messages by themselves do not eliminate danger and are not a substitute for proper accident prevention measures.



Indicates an imminently hazardous situation which, if not avoided, WILL result in death or serious injury.



Indicates a potentially hazardous situation which, if not avoided, COULD result in death or serious injury.



Indicates a potentially hazardous situation which, if not avoided, MAY result in minor or moderate injury. It may also be used to alert against unsafe practices.



This symbol is used to alert the user to useful information about proper operation of the equipment.

WARNING

Safety Instructions For Power Tools

1. **KEEP GUARDS IN PLACE** and in working order.
2. **REMOVE ADJUSTING KEYS AND WRENCHES.** Form habit of checking to see that keys and adjusting wrenches are removed from tool before turning on.
3. **KEEP WORK AREA CLEAN.** Cluttered areas and benches invite accidents.
4. **DON'T USE IN DANGEROUS ENVIRONMENT.** Don't use power tools in damp or wet locations, or where any flammable or noxious fumes may exist. Keep work area well lighted.
5. **KEEP CHILDREN AND VISITORS AWAY.** All children and visitors should be kept a safe distance from work area.
6. **MAKE WORK SHOP CHILD PROOF** with padlocks, master switches, or by removing starter keys.
7. **DON'T FORCE TOOL.** It will do the job better and safer at the rate for which it was designed.
8. **USE RIGHT TOOL.** Don't force tool or attachment to do a job for which it was not designed.

WARNING

Safety Instructions For Power Tools

- 9. USE PROPER EXTENSION CORD.** Make sure your extension cord is in good condition. Conductor size should be in accordance with the chart below. The amperage rating should be listed on the motor or tool nameplate. An undersized cord will cause a drop in line voltage resulting in loss of power and overheating. Your extension cord must also contain a ground wire and plug pin. Always repair or replace extension cords if they become damaged.

Minimum Gauge for Extension Cords

AMP RATING	LENGTH		
	25ft	50ft	100ft
0-6	18	16	16
7-10	18	16	14
11-12	16	16	14
13-16	14	12	12
17-20	12	12	10
21-30	10	10	No

- 10. WEAR PROPER APPAREL.** Do not wear loose clothing, gloves, neckties, rings, bracelets, or other jewelry which may get caught in moving parts. Non-slip footwear is recommended. Wear protective hair covering to contain long hair.
- 11. ALWAYS USE SAFETY GLASSES.** Also use face or dust mask if cutting operation is dusty. Everyday eyeglasses only have impact resistant lenses, they are NOT safety glasses.
- 12. SECURE WORK.** Use clamps or a vise to hold work when practical. It's safer than using your hand and frees both hands to operate tool.
- 13. DON'T OVERREACH.** Keep proper footing and balance at all times.
- 14. MAINTAIN TOOLS WITH CARE.** Keep tools sharp and clean for best and safest performance. Follow instructions for lubricating and changing accessories.
- 15. DISCONNECT TOOLS** before servicing and changing accessories, such as blades, bits, cutters, and the like.
- 16. REDUCE THE RISK OF UNINTENTIONAL STARTING.** Make sure switch is in off position before plugging in.
- 17. USE RECOMMENDED ACCESSORIES.** Consult the owner's manual for recommended accessories. The use of improper accessories may cause risk of injury.
- 18. CHECK DAMAGED PARTS.** Before further use of the tool, a guard or other part that is damaged should be carefully checked to determine that it will operate properly and perform its intended function. Check for alignment of moving parts, binding of moving parts, breakage of parts, mounting, and any other conditions that may affect its operation. A guard or other part that is damaged should be properly repaired or replaced.
- 19. NEVER LEAVE TOOL RUNNING UNATTENDED. TURN POWER OFF.** Don't leave tool until it comes to a complete stop.

WARNING

Additional Safety Instructions For Grinders

1. Wear a face shield and/or safety goggles.
2. Use clamps and supports to sharpen tools.
3. Grinding creates sparks. Make sure your work area is free of combustible materials.
4. Dress the grinding wheel when its surface becomes rutted or uneven. Replace the wheel if the wear or damage becomes excessive.
5. Do not use a wheel that is cracked or chipped.
6. Be sure the grinder is mounted on a stable surface.
7. If you are unclear about operating the machine, don't use it. Please call our service department if you have questions about any element of this machine's operation.
8. Use care when handling sharpened cutting tools.

WARNING

Operating this equipment has the potential to propel debris into the air which can cause eye injury. Always wear safety glasses or goggles when operating equipment. Everyday glasses or reading glasses only have impact resistant lenses, they are not safety glasses. Be certain the safety glasses you wear meet the appropriate standards of the American National Standards Institute (ANSI).

WARNING

Like all power tools, there is danger associated with the Model G8220 Wet/Dry Bench Grinder. Accidents are frequently caused by lack of familiarity or failure to pay attention. Use this tool with respect and caution to lessen the possibility of operator injury. If normal safety precautions are overlooked or ignored serious personal injury may occur.

CAUTION

No list of safety guidelines can be complete. Every shop environment is different. Always consider safety first, as it applies to your individual working conditions. Use this and other machinery with caution and respect. Failure to do so could result in serious person injury, damage to equipment or poor work results.

SECTION 2: CIRCUIT REQUIREMENTS

110V Operation

The Model G8220 is wired for 110V, single phase operation only. The ¼ HP motor will draw 1 amp at 110V. If you operate this grinder on any circuit that is already close to its capacity, it might blow a fuse or trip a circuit breaker. However, if an unusual load does not exist and a power failure still occurs, contact a qualified electrician or our service department.



Fusing

A 15-amp fuse or circuit breaker should be used when connecting this Bench Grinder. Circuits rated any higher are not adequate to protect the motor from power surges.

Equipment returned to us for service that shows evidence of being over-fused will be repaired or replaced totally at the customer's expense, regardless of the present warranty status.



Extension Cords

If you find it necessary to use an extension cord with the Model G8220, make sure the cord is rated Hard Service (grade S) or better. Refer to the chart in the standard safety instructions to determine the minimum gauge for the extension cord. The extension cord must also contain a ground wire and plug pin. Always repair or replace extension cords when they become worn or damaged.



G8220 Wet/Dry Bench Grinder

Grounding

In the event of an electrical short, grounding reduces the risk of electric shock by providing a path of least resistance to disperse electric current. This tool is equipped with a power cord having an equipment-grounding conductor. **See Figure 1.** The outlet must be properly installed and grounded in accordance with all local codes and ordinances.

!WARNING

This equipment must be grounded. Verify that any existing electrical outlet and circuit you intend to plug into is actually grounded. If it is not, it will be necessary to run a separate 12 A.W.G. copper grounding wire from the outlet to a known ground. Under no circumstances should the grounding pin from any three-pronged plug be removed. Serious injury may occur.

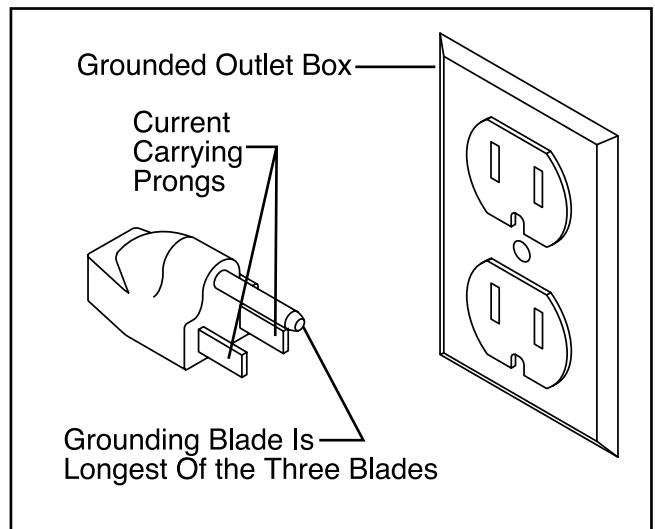


Figure 1. Grounded plug configuration.



SECTION 3: INTRODUCTION

Commentary

We are proud to offer the Grizzly Model G8220 Wet/Dry Bench Grinder. The Model G8220 is part of a growing Grizzly family of fine woodworking machinery. When used according to the guidelines set forth in this manual, you can expect years of trouble-free, enjoyable operation and proof of Grizzly's commitment to customer satisfaction.

The Model G8220 incorporates two different grinding media into one package. A 7⁷/₈" diameter horizontally mounted wheel turns at 400 RPM with a water feed system to keep the item being ground cool and to maximize the sharpening capability. This wheel has an adjustable rest and miter gauge to make perfect bevels an easy task. A second 4⁷/₈" diameter, fully guarded wheel operating at 3450 RPM has an adjustable tool rest and shield for coarse grinding.

We are also pleased to provide this manual with the Model G8220. It was written to guide you through assembly, review safety considerations, and cover general operating procedures. It represents our effort to produce the best documentation possible. If you have any comments regarding this manual, please write to us at the address below:

Grizzly Industrial, Inc.
% Technical Documentation
P.O. Box 2069
Bellingham, WA 98227-2069

Most importantly, we stand behind our machines. If you have any service questions or parts requests, please call or write us at the location listed below.

Grizzly Industrial, Inc.
1203 Lycoming Mall Circle
Muncy, PA 17756
Phone: (570) 546-9663
Fax: (800) 438-5901
E-Mail: techsupport@grizzly.com
Web Site: <http://www.grizzly.com>

The specifications, drawings, and photographs illustrated in this manual represent the Model G8220 as supplied when the manual was prepared. However, owing to Grizzly's policy of continuous improvement, changes may be made at any time with no obligation on the part of Grizzly. Whenever possible, though, we send manual updates to all owners of a particular tool or machine. Should you receive one, we urge you to insert the new information with the old and keep it for reference.

CAUTION

To operate this, or any power tool, safely and efficiently, it is essential to become as familiar with its characteristics as possible. The time you invest before you begin to use your Model G8220 will be time well spent. DO NOT operate this machine until you are completely familiar with the contents of this manual. Make sure you read and understand all of the safety procedures. If you do not understand something, DO NOT operate the machine.



Unpacking

This Wet/Dry Bench Grinder is shipped from the manufacturer in a carefully packed carton. If you discover the machine is damaged after you've signed for delivery, and the truck and driver are gone, you will need to file a freight claim with the carrier. Save the containers and all packing materials for possible inspection by the carrier or its agent. Without the packing materials, filing a freight claim can be difficult. *If you need assistance determining whether you need to file a freight claim, or with the procedure to file one, please contact our Customer Service.*

When you are completely satisfied with the condition of your shipment, you should inventory its parts.



Piece Inventory

After all the parts have been removed from the carton, you should have:

- Grinding Machine w/Wheels Installed
- Water Reservoir and Valve
- Plastic Tube
- Blade Rest Assembly
- Blade Rest Mounting Hardware
- Tool Rest
- Tool Rest Mounting Hardware
- Eye Shield Assembly and Hardware
- Wheel Wrench

In the event that any non-proprietary parts are missing (e.g. a nut or a washer), we would be glad to replace them, or, for the sake of expediency, replacements can be obtained at your local hardware store.

NOTICE

A full parts list and illustrated breakdown can be found toward the end of this manual. For easier assembly, or to identify missing parts, please refer to this section.



Site Considerations

Notes

BENCH MOUNTING

Your G8220 Wet/Dry Grinder is designed to be used on a workbench. Make sure it is positioned at a comfortable working height. The machine can be permanently mounted to a bench by removing the base and using the four holes in the motor body to secure it directly to the surface of a bench.

WORKING CLEARANCES

Working clearances can be thought of as the distances between machines and obstacles that allow safe operation of every machine without limitation. Ensure that your working area offers plenty of room for free movement and a substantial amount of distance between you and others that may be working in your shop space.

LIGHTING AND OUTLETS

Lighting should be bright enough to eliminate shadow and prevent eye strain. Electrical circuits should be dedicated or large enough to handle combined motor amp loads. Outlets should be located near each machine so power or extension cords are not obstructing high-traffic areas. Be sure to observe local electrical codes for proper installation of new lighting, outlets, or circuits.

CAUTION

Make your shop “child safe”. Ensure that your workplace is inaccessible to youngsters by closing and locking all entrances when you are away. Never allow visitors in your shop when assembling, adjusting or operating equipment.



SECTION 4: ASSEMBLY

Water Reservoir

Insert the water valve into the hole in the Water Reservoir. Attach the Water Reservoir to the post behind the wet grinding wheel. Position the water drip over the center of the grinding surface.

Attach the clear plastic drain pipe to the fitting which is on the underside of the wet wheel housing.

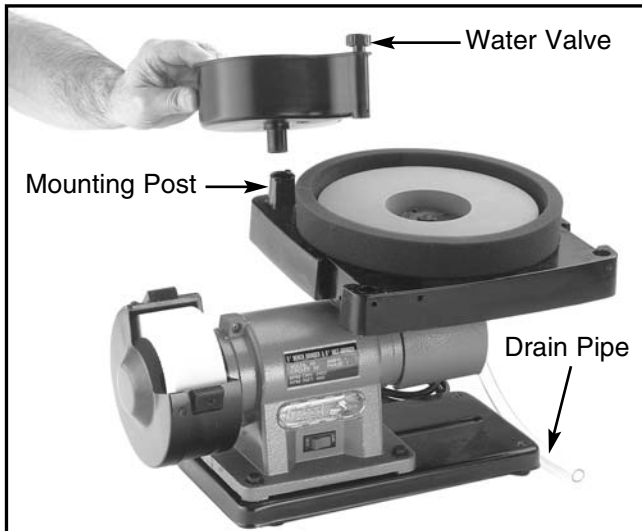


Figure 2. Mounting water reservoir.



Tool Rest/Eye Shield

The Tool Rest attaches to the front of the dry grinding wheel. It is adjustable for height and for angle to provide a steady platform for a variety of grinding angles and sizes. Refer to **Figure 3** for general orientation of the Tool Rest and Eye Shield.

To assemble the Tool Rest:

1. Take the T-shaped bracket and position it between the tabs on the underside of the Tool Rest.
2. Secure the bracket to the rest with two (2) hex head bolts and the wing nuts which have a plastic knob.
3. Attach the assembled Tool Rest to the Wheel Guard using a hex head bolt and washer.



Figure 3. Dry wheel guard and rest positioning.

To assemble the Eye Shield:

1. Take the L-shaped bracket and position it so the holes line up and the bracket is on the underside of the plastic shield.
2. Use the two (2) combination head screws, washers and nuts to secure the L-bracket in place.
3. Attach the assembled Eye Shield to the right side of the wheel guard using the short hex head bolt and washer.



Tool Rest-Wet Wheel

The large horizontally mounted wet grinding wheel also has a tool rest situated over it to aid the user in the grinding operations:

1. Position the two support brackets in the wide grooves which are located on each side of the water tray. The recess in the shape of a half circle should be facing outward on each side. **See Figure 4.**



Figure 4. Mounting rest holder.

2. Thread a locking knob with washer through the hole in the bottom of the holder and into the water tray body. These knobs control the overall height of the tool rest assembly.
3. Set the tool rest into the half circle recesses. The sliding tool rest should already be assembled onto the holder, if it is not, slide the tool rest into the groove. It only goes one way as there is a tab preventing incorrect installation. The miter gauge also should already be positioned on the sliding tool rest.

4. Attach the tool rest assembly to the support brackets. Using the M4-.7 x 30mm Hex Head Bolt, push the bolt through from the inside of the holder and secure a knob to it on the outside. **See Figure 5.** These two knobs control the angular adjustment of the tool rest. The hex heads will lock into a recess molded into the inside of the bracket.

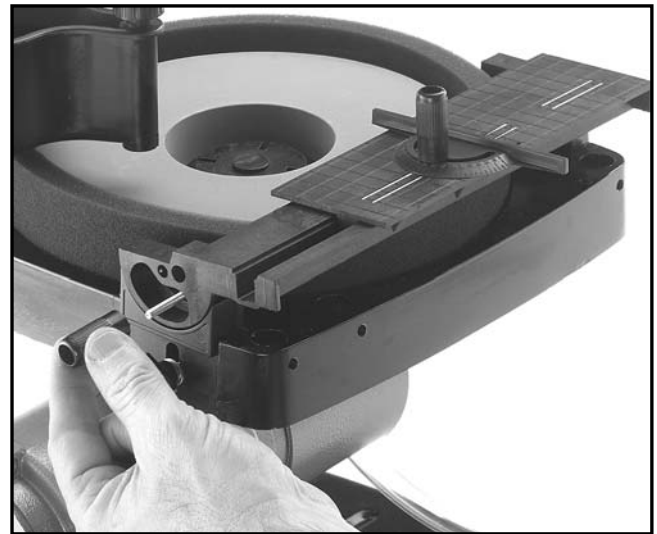


Figure 5. Mounting tool rest.



SECTION 5: Operations

Overview

CAUTION

Use extreme caution when sharpening any type of knife, both during and after sharpening. Make certain the knife is fully supported by the rest before bringing it into contact with the wheel. Failure to exercise care while working near knives could result in severe injury.

The dry wheel supplied with the G8220 is an 80 grit Aluminum Oxide wheel good for heavy material removal and for roughing in to approximate dimensions. The wet wheel is a very fine 1000 grit which, along with the water supply, allows fine grinding and honing to very precise edges. Choose the wheel and grinding method appropriate for your grinding needs.



Wet Wheel Grinding

There are three adjustments necessary to get the proper grinding angle. Tool rest height, tool rest angle, and miter gauge angle must all be adjusted to get the proper angle of attack on the grinding wheel. Be sure the machine is off and unplugged. Lay the item to be ground on the rest and lay it against the stationary wheel. Adjust all three elements until the blade contacts the wheel in the proper orientation. A typical set up for a bevel tip chisel is shown in **Figure 6**.

The water reservoir allows the operator to drip water onto the wheel during the grinding process. The water serves two purposes. One is to provide a certain amount of cooling for the heat which is

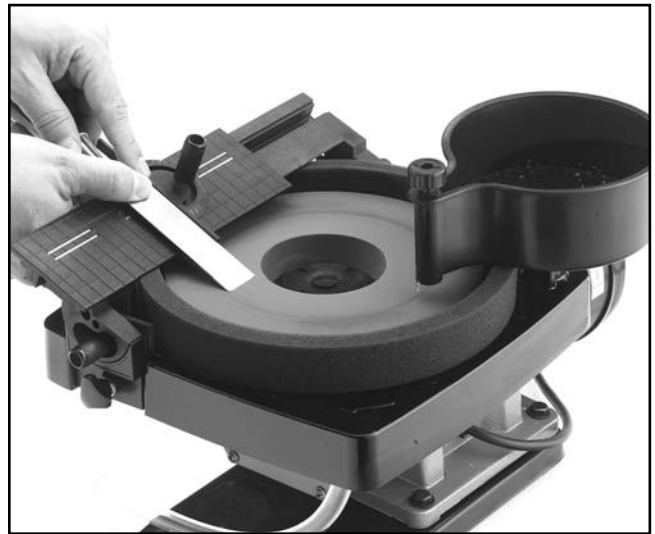


Figure 6. Typical wet wheel grinding operation.

naturally generated during the grinding process. Secondly, the water acts as a lubricant for the grinding process improving the cutting characteristics of the fine grit wheel. As you begin grinding, adjust the water flow so there is a steady drip onto the surface of the wheel, close to the inner edge. Make sure the drain pipe coming out the underside of the water tray is directed so it is going into some type of container.

Plug the machine in and turn the motor on. Allow the wheel to get up to full operating speed before beginning the grind. Introduce the item to the wheel slowly and carefully, making sure it is fully supported against the tool rest and miter gauge. For some types of grinds, it may be necessary to sweep the item across the wheel surface by sliding the tool rest across the holder. Always lift the item off the surface when returning to the starting point of the sweep. Do not let the workpiece get too hot during grinding. If heat is increasing, slow down the rate of grind, or turn up the water flow. High heat will destroy the temper of the metal and will make it impossible to hold an edge.

Long straight types of blades such as jointer or planer knives can also be sharpened on this machine as well. Position the blades as shown in **Figure 7**, with the miter gauge set at a zero angle. For this type of operation, it is necessary to sweep the blade edge across the wheel. The sliding table retained in the groove of the tool rest holder allows for this sweeping action. Allow the blade edge to push the circular foam material down, this is perfectly acceptable and helps to insure the water does not spin off the wheel.

Maintain a constant and steady pressure throughout the entire range of the sweeping action to ensure that the blade is evenly ground all the way to its edges. Be sure to avoid overheating the blades during grinding.



Figure 7. Grinding long knives.

⚠ CAUTION

Use extreme caution when working near rotating grinding wheels. Accidental contact with the wheel can cause cuts and abrasions. The spinning wheels can also propel items which are not firmly supported. Failure to exercise care while working near grinding wheels could result in severe injury.



Dry Wheel Grinding

Adjust the angle of the Tool Rest by loosening the two lock knobs. The angle can also be affected by raising or lowering the entire Tool Rest assembly by loosening the hex bolt at the front of the wheel guard. Once you have achieved the angle necessary for the item to be ground, make certain all the adjustment knobs and bolts are tightened so the rest will not move during grinding.

Position the Eye Shield so it will cover the grinding area. The Eye Shield can be moved up and down, as well as back and forth, to get it in a position where sparks will not fly up in the operator's face. Tighten the adjusting bolt.

For dry grinding, it may be helpful to have a tray of water handy for quenching the piece when it builds up heat in the grinding process. Similar to the wet wheel process, quenching keeps the ground item from losing its temper by keeping the temperature down.

Turn the grinder on and allow the wheel to come up to full speed. Place the item to be ground firmly on the Tool Rest and introduce it slowly into the wheel. Grinding should be done lightly and for short duration to avoid damage to the tool you're working with.

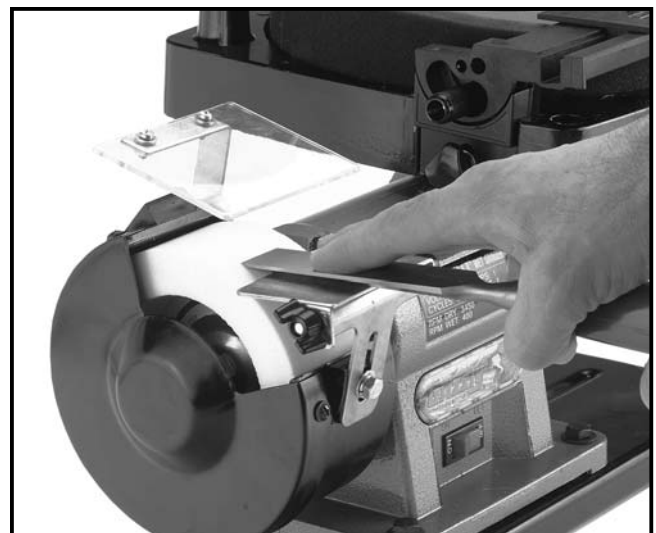


Figure 8. Grinding on dry wheel.



SECTION 6: MAINTENANCE

Wheel Removal

After prolonged use, you may find it necessary to replace the grinding wheel. New wheels for the Model G8220 are available through the Grizzly catalog. Check the latest catalog for ordering and price information.

Changing the wet wheel:

1. Remove the Tool Rest assembly.
2. Remove the Water Reservoir.
3. Remove the wheel mounting nut. **See Figure 9.** A special wrench is supplied to remove the wet wheel. Hold the wheel from turning by holding the dry wheel with your other hand. Note the threading direction area molded into the top of the nut.
4. Lift the wheel off of the spindle.
5. When installing the new wheel, make sure the flat on the wheel plate is engaged on the spindle. Reinstall the mounting nut.



Figure 9. Removing wet wheel.

Changing the dry wheel:

1. Remove the three screws holding the wheel cover in place.
2. Use a socket or open end wrench to remove the nut on the wheel spindle.
3. Remove the wheel flange and the wheel from the spindle. There is another wheel flange on the back side of the wheel.
4. When installing the new wheel make sure the wheel flanges are in place on both sides of the wheel, with the convex portion of the flange facing out. Reinstall the hex nut and tighten.



Figure 10. Removing dry wheel.

⚠ CAUTION

Never allow visitors into your shop while assembling, operating, or maintaining tools and machinery. Keep your shop child-safe by locking up securely when not in use, and by providing proper supervision when children are present.



SECTION 7: CLOSURE

The following pages contain general machine data, parts diagrams, parts list and Warranty and Return information for your Model G8220 Wet/Dry Bench Grinder.

If you need parts or help in assembling your machine, or if you need operational information, we encourage you to call our Service Department. Our trained service technicians will be glad to help you.

If you have comments dealing specifically with this manual, please write to our Bellingham, Washington location using the address in Section 3: Introduction. The specifications, drawings, and photographs illustrated in this manual represent the Model G8220 as supplied when the manual was prepared. However, due to Grizzly's policy of continuous improvement, changes may be made at any time with no obligation on the part of Grizzly. Whenever possible, though, we send manual updates to all owners of a particular tool or machine. Should you receive one, add the new information to this manual and keep it for reference.

We have included some important safety measures that are essential to this machine's operation. While most safety measures are generally universal, Grizzly reminds you that each workshop is different and safety rules should be considered *as they apply to your specific situation*.

WARNING

Operating this equipment has the potential for flying debris, which can cause eye injury. Always wear safety glasses or goggles when operating equipment. Everyday glasses or reading glasses only have impact resistant lenses, they are not safety glasses. Be certain the safety glasses you wear meet the appropriate standards of the American National Standards Institute (ANSI).

We recommend you keep a copy of our current catalog for complete information regarding Grizzly's warranty and return policy. If you need additional technical information relating to this machine, or if you need general assistance or replacement parts, please contact the Service Department listed in Section 3: Introduction

Additional information sources are necessary to realize the full potential of this machine. Trade journals, woodworking magazines, and your local library are good places to start.

WARNING

The Model G8220 was specifically designed for knife grinding. **DO NOT MODIFY AND/OR USE THIS MACHINE FOR ANY OTHER PURPOSE. Modifications or improper use of this tool will void the warranty.** If you are confused about any aspect of this machine, **DO NOT** use it until you have answered all your questions. **Serious personal injury may occur.**

WARNING

Like all power tools, there is danger associated with the Model G8220 Wet/Dry Bench Grinder. Accidents are frequently caused by lack of familiarity or failure to pay attention. Use this tool with respect and caution to lessen the possibility of operator injury. If normal safety precautions are overlooked or ignored, serious personal injury may occur.





MACHINE DATA SHEET

Customer Service #: (570) 326-3806 • To Order Call: (800) 523-4777 • Fax #: (800) 438-5901

GRIZZLY MODEL G8220 WET/DRY BENCH GRINDER

Design Type..... Bench Model

Overall Dimensions:

Height11³/₄"
 Length 12"
 Width.....6¹/₄"
 Shipping Weight.....24 lbs.
 Net Weight22 lbs.
 Box Size.....18³/₄" L x 12" W x 11¹/₂" H
 Footprint17³/₄" x 10³/₄"

Grinding Wheel Specifications:

Wet Wheel

Type / Grit.....Type 50 Plate Mounted, 1000 Grit
 Diameter7⁷/₈"
 Thickness......1"
 Bore1¹/₁₆" with flat
 Wheel RPM.....400

Dry Wheel

Type / Grit.....Type 6, Straight Cup, 80 Grit
 Diameter4⁷/₈"
 Thickness......2"
 Bore1¹/₄"
 Wheel RPM.....3450

Motor:

TypeTEFC Capacitor Start Induction
 Horsepower1/4 HP
 Amps.....1
 Phase / VoltageSingle Phase / 110V
 Cycle / RPM.....60 Hertz / 3450 RPM
 SwitchOn / Off Rocker
 Power TransferDirect Drive
 BearingsShielded & Permanently Lubricated

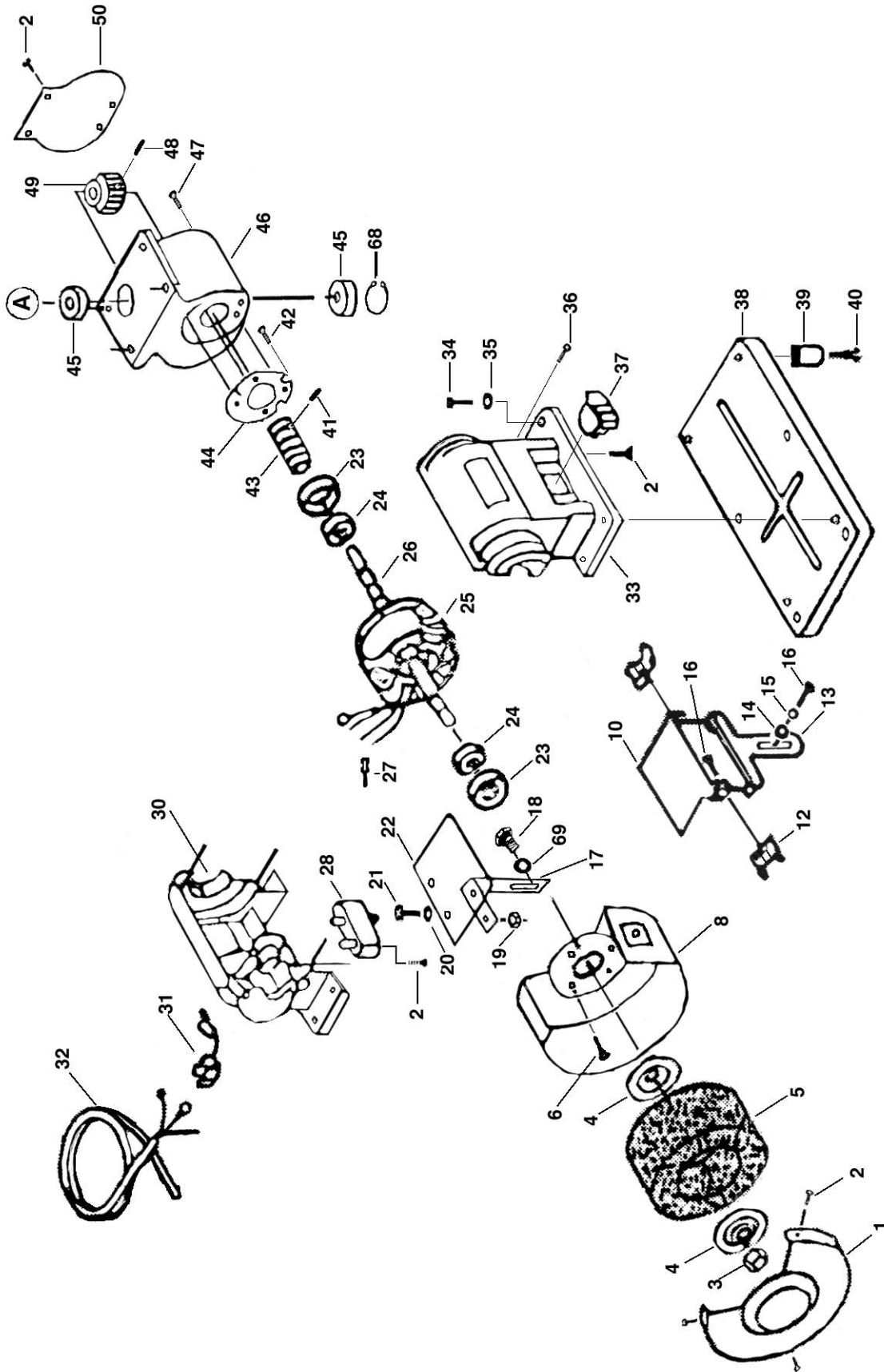
Features:

Includes adjustable tool rest for both wheels, eye shield, water reservoir, drain tube and wheel wrench.

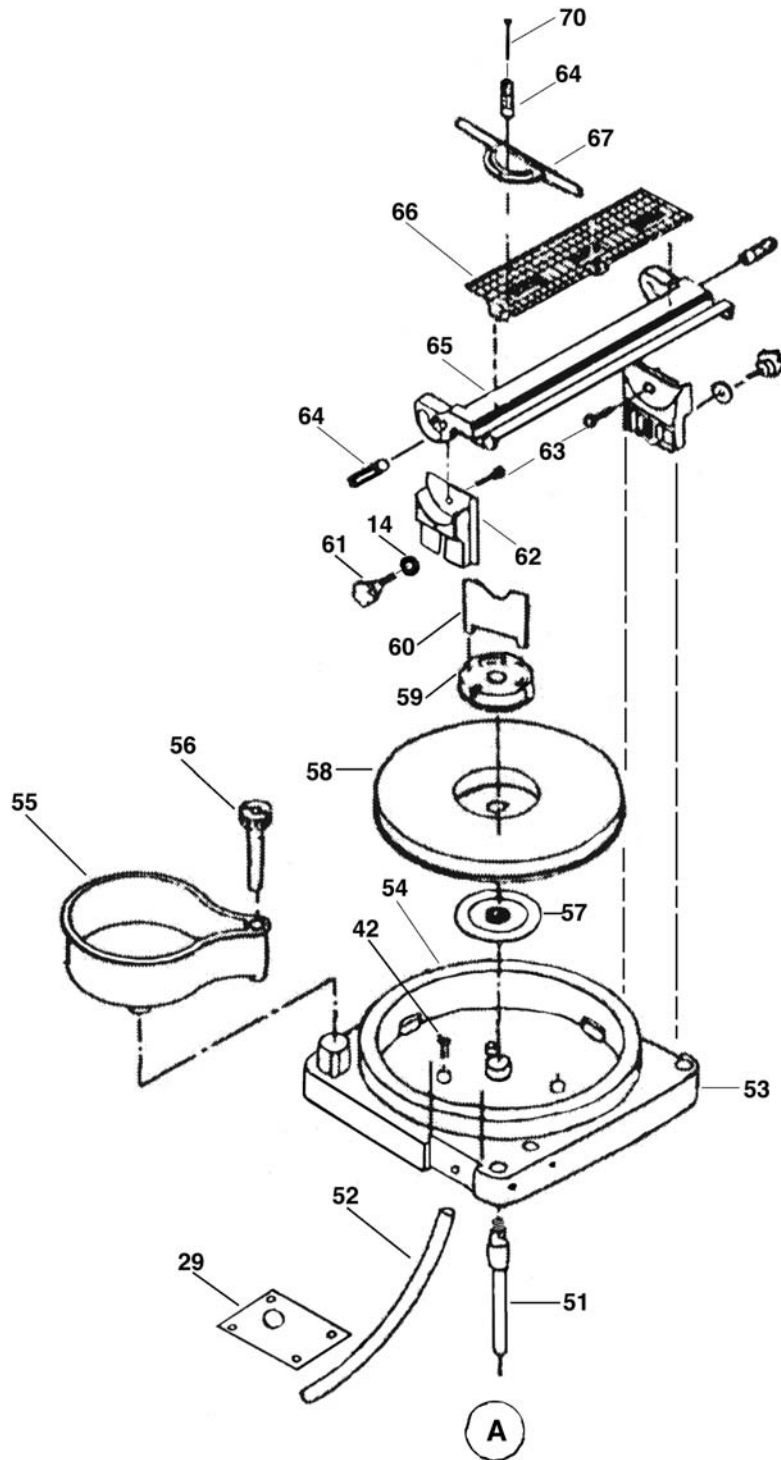
Specifications, while deemed accurate, are not guaranteed.

REVISED 1/00

G8220 MOTOR ASSEMBLY



G8220 UPPER ASSEMBLY



REF	PART #	DESCRIPTION
01	P8220001	SIDE GUARD
02	P8220002	COMBO HD LKG 10-24 X 5/8"
03	PN15	HEX NUT 9/16"-12
04	P8220004	WHEEL FLANGE
05	P8220005	GRINDING WHEEL 80 GRIT
06	P8220006	COMBO HD LKG 10-24 X 1/2"
08	P8220008	WHEEL GUARD
10	P8220010	TOOL REST
12	P8220012	WING NUT
13	P8220013	BRACKET - TOOL REST
14	PW03M	FLAT WASHER M6
15	PLW02	LOCK WASHER 1/4"
16	PB02M	HEX BOLT M6-1 X 12
17	P8220017	BRACKET - EYE SHIELD
18	PB15	HEX BOLT 5/16-18 X 3/8"
19	PN04M	HEX NUT M4-0.7
20	PW05M	FLAT WASHER 4MM
21	PS02M	PHLP HD SCR M4-.7 X 12
22	P8220022	EYE SHIELD
23	P8220023	BUSHING
24	P6202	BALL BEARING 6202
25	P8220025	MOTOR STATOR
26	P8022026	MOTOR ROTOR
27	PSC1614	SPADE CONNECTOR
28	P8220028	CAPACITOR 8 MFD
29	P8220029	PLATE
30	P8220030	REAR BODY
31	P8220031	STRAIN RELIEF
32	PWRCRD110L	POWER CORD 110V, LONG W/PLUG
33	P8220033	FRONT BODY
34	PB03	HEX BOLT 5/16-18 X 1
35	PW07	FLAT WASHER 5/16"
36	PS22	PHLP HD SCR 10-24 X 5/8"
37	P8220037	POWER SWITCH

REF	PART #	DESCRIPTION
38	P8220038	BASE
39	P8220039	BASE FOOT
40	PS01	PHLP HD SCR 10-24 X 1/2"
41	PRP22M	ROLL PIN 4 X 32
42	PFH01	FLAT HD SCR 10-24 X 3/8
43	P8220043	WORM
44	P8220044	RING PLATE
45	P6200	BALL BEARING 6200
46	P8220046	GEAR BOX
47	PS24M	PHLP HD SCR M6-1 X 10
48	PRP22M	ROLL PIN 4 X 32
49	P8220049	WORM GEAR
50	P8220050	GEAR BOX COVER
51	P8220051	SPINDLE
52	P8220052	DRAIN HOSE
53	P8220053	WATER TRAY
54	P8220054	SPONGE
55	P8220055	WATER RESERVOIR
56	P8220056	WATER VALVE
57	P8220057	WHEEL MOUNT WASHER
58	P8220058	PLATE MTD WHEEL 1000
59	P8220059	WHEEL MOUNT NUT
60	P8220060	WRENCH
61	P8220061	LOCKING KNOB
62	P8220062	SUPPORT BRACKET
63	PB41M	HEX BOLT M4-.7 X 30
64	P8220064	KNOB
65	P8220065	TOOL HOLDER
66	P8220066	TOOL REST WET WHEEL
67	P8220067	GUIDE
68	PR05M	EXT RET RING 15MM
69	PW07	FLAT WASHER 5/16"
70	PS25M	PHLP HD SCR M4-.7 X 30

WARRANTY CARD

Name _____
 Street _____
 City _____ State _____ Zip _____
 Phone Number _____ E-Mail _____ FAX _____

MODEL # G8220 Wet/Dry Bench Grinder Order # _____

The following information is given on a voluntary basis. It will be used for marketing purposes to help us develop better products and services. Of course, all information is strictly confidential.

CUT ALONG DOTTED LINE

1. How did you learn about us?

<input type="checkbox"/> Advertisement <input type="checkbox"/> Catalog <input type="checkbox"/> World Wide Web <input type="checkbox"/> Other _____	<input type="checkbox"/> Friend <input type="checkbox"/> Card Deck <input type="checkbox"/> Other _____
---	---
2. Which of the following magazines do you subscribe to.

<input type="checkbox"/> American Woodworker <input type="checkbox"/> Cabinetmaker <input type="checkbox"/> Family Handyman <input type="checkbox"/> Fine Homebuilding <input type="checkbox"/> Fine Woodworking <input type="checkbox"/> Home Handyman <input type="checkbox"/> Journal of Light Construction <input type="checkbox"/> Old House Journal <input type="checkbox"/> Popular Mechanics <input type="checkbox"/> Popular Science <input type="checkbox"/> Popular Woodworking <input type="checkbox"/> Other _____	<input type="checkbox"/> Practical Homeowner <input type="checkbox"/> Shop Notes <input type="checkbox"/> Today's Homeowner <input type="checkbox"/> WOOD <input type="checkbox"/> WoodenBoat <input type="checkbox"/> Woodshop News <input type="checkbox"/> Woodsmith <input type="checkbox"/> Woodwork <input type="checkbox"/> Woodworker <input type="checkbox"/> Woodworker's Journal <input type="checkbox"/> Workbench <input type="checkbox"/> Other _____
--	--
3. Which of the following woodworking/remodeling shows do you watch?

<input type="checkbox"/> Backyard America <input type="checkbox"/> Home Time <input type="checkbox"/> The American Woodworker <input type="checkbox"/> Other _____	<input type="checkbox"/> The New Yankee Workshop <input type="checkbox"/> This Old House <input type="checkbox"/> Woodwright's Shop <input type="checkbox"/> Other _____
---	---
4. What is your annual household income?

<input type="checkbox"/> \$20,000-\$29,999 <input type="checkbox"/> \$30,000-\$39,999 <input type="checkbox"/> \$40,000-\$49,999 <input type="checkbox"/> \$50,000-\$59,999	<input type="checkbox"/> \$60,000-\$69,999 <input type="checkbox"/> \$70,000-\$79,999 <input type="checkbox"/> \$80,000-\$89,999 <input type="checkbox"/> \$90,000 +
--	---
5. What is your age group?

<input type="checkbox"/> 20-29 <input type="checkbox"/> 30-39 <input type="checkbox"/> 40-49	<input type="checkbox"/> 50-59 <input type="checkbox"/> 60-69 <input type="checkbox"/> 70 +
--	---
6. How long have you been a woodworker?

<input type="checkbox"/> 0 - 2 Years <input type="checkbox"/> 2 - 8 Years	<input type="checkbox"/> 8 - 20 Years <input type="checkbox"/> 20+ Years
--	---
7. How would you rank your woodworking skills?

<input type="checkbox"/> Simple <input type="checkbox"/> Intermediate	<input type="checkbox"/> Advanced <input type="checkbox"/> Master Craftsman
--	--
8. What stationary woodworking tools do you own? Check all that apply.

<input type="checkbox"/> Air Compressor <input type="checkbox"/> Band Saw <input type="checkbox"/> Drill Press <input type="checkbox"/> Drum Sander <input type="checkbox"/> Dust Collector <input type="checkbox"/> Horizontal Boring Machine <input type="checkbox"/> Jointer <input type="checkbox"/> Lathe <input type="checkbox"/> Mortiser <input type="checkbox"/> Other _____	<input type="checkbox"/> Panel Saw <input type="checkbox"/> Planer <input type="checkbox"/> Power Feeder <input type="checkbox"/> Radial Arm Saw <input type="checkbox"/> Shaper <input type="checkbox"/> Spindle Sander <input type="checkbox"/> Table Saw <input type="checkbox"/> Vacuum Veneer Press <input type="checkbox"/> Wide Belt Sander <input type="checkbox"/> Other _____
--	--
9. How many of your woodworking machines are Grizzly? _____
10. Which benchtop tools do you own? Check all that apply.

<input type="checkbox"/> 1" x 42" Belt Sander <input type="checkbox"/> 5" - 8" Drill Press <input type="checkbox"/> 8" Table Saw <input type="checkbox"/> 8" - 10" Bandsaw <input type="checkbox"/> Disc/Belt Sander <input type="checkbox"/> Mini Jointer <input type="checkbox"/> Other _____	<input type="checkbox"/> 6" - 8" Grinder <input type="checkbox"/> Mini Lathe <input type="checkbox"/> 10" - 12" Thickness Planer <input type="checkbox"/> Scroll Saw <input type="checkbox"/> Spindle/Belt Sander <input type="checkbox"/> Other _____
---	---
11. How many of the machines checked above are Grizzly? _____
12. Which portable/hand held power tools do you own? Check all that apply.

<input type="checkbox"/> Belt Sander <input type="checkbox"/> Biscuit Joiner <input type="checkbox"/> Circular Saw <input type="checkbox"/> Detail Sander <input type="checkbox"/> Drill/Driver <input type="checkbox"/> Miter Saw <input type="checkbox"/> Other _____	<input type="checkbox"/> Orbital Sander <input type="checkbox"/> Palm Sander <input type="checkbox"/> Portable Planer <input type="checkbox"/> Saber Saw <input type="checkbox"/> Reciprocating Saw <input type="checkbox"/> Router <input type="checkbox"/> Other _____
---	--
13. What machines/supplies would you like Grizzly Industrial to carry?

<input type="checkbox"/> 12" Table Saw <input type="checkbox"/> 12" Jointer <input type="checkbox"/> Combination Planer/Jointer <input type="checkbox"/> Paint & Finishing Supplies <input type="checkbox"/> Contractor's Supplies <input type="checkbox"/> Other _____	<input type="checkbox"/> Radial Arm Saw <input type="checkbox"/> Panel Saw <input type="checkbox"/> Brass Hardware <input type="checkbox"/> Lumber <input type="checkbox"/> Other _____
--	---
14. What new accessories would you like Grizzly Industrial to carry?

<input type="checkbox"/> Builders Hardware <input type="checkbox"/> Fasteners <input type="checkbox"/> Other _____	<input type="checkbox"/> Hand Tools <input type="checkbox"/> Wood Components <input type="checkbox"/> Other _____
--	---
15. What other companies do you purchase your tools and supplies from?

16. Do you think your purchase represents good value?
 Yes No
17. Would you recommend Grizzly Imports to a friend?
 Yes No
18. Would you allow us to use your name as a reference for Grizzly customers in your area? **Note: We never use names more than three times.**
 Yes No
19. Comments: _____

FOLD ALONG DOTTED LINE



Place
Stamp
Here



GRIZZLY INDUSTRIAL, INC.
P.O. BOX 2069
BELLINGHAM, WA 98227-2069



FOLD ALONG DOTTED LINE

Send a Grizzly Catalog to a friend:

Name _____
Street _____
City _____ State _____ Zip _____

TAPE ALONG EDGES--PLEASE DO NOT STAPLE

WARRANTY AND RETURNS

Grizzly Industrial, Inc. warrants every product it sells for a period of **1 year** to the original purchaser from the date of purchase. This warranty does not apply to defects due directly or indirectly to misuse, abuse, negligence, accidents, repairs or alterations or lack of maintenance. This is Grizzly's sole written warranty and any and all warranties that may be implied by law, including any merchantability or fitness, for any particular purpose, are hereby limited to the duration of this written warranty. We do not warrant or represent that the merchandise complies with the provisions of any law or acts unless the manufacturer so warrants. In no event shall Grizzly's liability under this warranty exceed the purchase price paid for the product and any legal actions brought against Grizzly shall be tried in the State of Washington, County of Whatcom.

We shall in no event be liable for death, injuries to persons or property or for incidental, contingent, special, or consequential damages arising from the use of our products.

To take advantage of this warranty, contact us by mail or phone and give us all the details. We will then issue you a "Return Number", which must be clearly posted on the outside as well as the inside of the carton. We will not accept any item back without this number. Proof of purchase must accompany the merchandise.

The manufacturers reserve the right to change specifications at any time because they constantly strive to achieve better quality equipment. We make every effort to ensure that our products meet high quality and durability standards and we hope you never need to use this warranty.

Please feel free to write or call us if you have any questions about the machine or the manual.

Thank you again for your business. We hope to serve you again soon.

Free Manuals Download Website

<http://myh66.com>

<http://usermanuals.us>

<http://www.somanuals.com>

<http://www.4manuals.cc>

<http://www.manual-lib.com>

<http://www.404manual.com>

<http://www.luxmanual.com>

<http://aubethermostatmanual.com>

Golf course search by state

<http://golfingnear.com>

Email search by domain

<http://emailbydomain.com>

Auto manuals search

<http://auto.somanuals.com>

TV manuals search

<http://tv.somanuals.com>