



# NAIL GUNS & STAPLERS

## MODEL G1847 / G1852 / G1861 / G3811

# INSTRUCTION MANUAL



COPYRIGHT © 1990 BY GRIZZLY INDUSTRIAL, INC. TX 3 176 561  
**WARNING: NO PORTION OF THIS MANUAL MAY BE REPRODUCED IN ANY SHAPE  
OR FORM WITHOUT THE WRITTEN APPROVAL OF GRIZZLY INDUSTRIAL, INC.**  
REVISED MARCH, 1999 PRINTED IN USA

#### **DISCONTINUED MACHINE MANUAL DISCLAIMER**

THE INFORMATION IN THIS MANUAL REPRESENTS THE LAST CONFIGURATION OF THE MACHINE BEFORE IT WAS DISCONTINUED. MACHINE CONFIGURATIONS MAY HAVE CHANGED AS PRODUCT IMPROVEMENTS WERE INCORPORATED. IF YOU OWN AN EARLIER VERSION OF THE MACHINE, THIS MANUAL MAY NOT EXACTLY DEPICT YOUR MACHINE. CONTACT CUSTOMER SERVICE IF YOU HAVE ANY QUESTIONS ABOUT DIFFERENCES. PREVIOUS VERSIONS ARE NOT AVAILABLE ONLINE.

# Table Of Contents

	<b>PAGE</b>
<b>1. SAFETY</b> .....	2
SAFETY RULES FOR ALL TOOLS .....	2
ADDITIONAL SAFETY INSTRUCTIONS FOR NAILERS.....	3
<b>2. INTRODUCTION</b> .....	4
<b>3. OPERATIONS</b> .....	5
UNPACKING .....	5
CONNECTING TO AIR .....	5
LOADING BRADS.....	6
LOADING STAPLES .....	7
TEST FIRE .....	8
AIR QUALITY .....	8
<b>4. MAINTENANCE</b> .....	9
GENERAL .....	9
CLEANING & OILING .....	9
JAMMING .....	10
ALIGNING NOSE PIECE .....	10
DRIVER REPLACEMENT .....	11
O-RING .....	12
<b>5. CLOSURE</b> .....	13
G1847 PARTS DIAGRAM AND LIST .....	14-15
G1852 PARTS DIAGRAM AND LIST .....	16-17
G1861 PARTS DIAGRAM AND LIST .....	18-19
G3811 PARTS DIAGRAM AND LIST .....	20-21
MACHINE DATA .....	22
TROUBLESHOOTING GUIDE .....	23
WARRANTY AND RETURNS.....	24

# SECTION 1: SAFETY

## WARNING

### For Your Own Safety Read Instruction Manual Before Operating Nailer

**DO NOT CONNECT** nailer to the air hose until you are in position and ready to operate the nailer safely.

**KEEP HANDS** and other body parts away from the nailer tip at all times.

**NEVER MANUALLY DEPRESS** the safety nose and shoot fasteners for any reason.

**DO NOT REST** a pressurized nailer against your body for any reason.

## WARNING

### Safety Instructions For Power Tools

These safety rules cannot cover every situation in a work shop. Consider your conditions when setting up or operating your nailer.

- 1. KEEP GUARDS IN PLACE** and in working order.
- 2. REMOVE ADJUSTING KEYS AND WRENCHES.** Form habit of checking to see that keys and adjusting wrenches are removed from tool before turning on.
- 3. KEEP WORK AREA CLEAN.** Cluttered areas and benches invite accidents.
- 4. DON'T USE IN DANGEROUS ENVIRONMENT.** Don't use power tools in damp or wet locations, or expose them to rain. Keep work area well lighted.
- 5. KEEP CHILDREN AND VISITORS AWAY.** All children and visitors should be kept a safe distance from work area.
- 6. MAKE WORK SHOP CHILD PROOF** with padlocks, master switches, or by removing starter keys.
- 7. DON'T FORCE TOOL.** It will do the job better and safer at the rate for which it was designed.
- 8. USE RIGHT TOOL.** Don't force tool or attachment to do a job for which it was not designed.
- 9. WEAR PROPER APPAREL** Do not wear loose clothing, gloves, neckties, rings, bracelets, or other jewelry which may get caught in moving parts. Non-slip footwear is recommended. Wear protective hair covering to contain long hair.
- 10. ALWAYS USE SAFETY GLASSES.** Also use face or dust mask if tool operation is dusty. Everyday eyeglasses only have impact resistant lenses, they are NOT safety glasses.
- 11. SECURE WORK.** Use clamps or a vise to hold work when practical. It's safer than using your hand and frees both hands to operate tool.
- 12. DON'T OVERREACH.** Keep proper footing and balance at all times.

## WARNING

# Safety Instructions For Power Tools

13. **MAINTAIN TOOLS WITH CARE.** Keep tools sharp and clean for best and safest performance. Follow instructions for lubricating and changing accessories.
14. **DISCONNECT TOOLS** before servicing and changing accessories, such as blades, bits, cutters, and the like.
15. **REDUCE THE RISK OF UNINTENTIONAL STARTING.** Make sure switch is in off position before plugging in.
16. **USE RECOMMENDED ACCESSORIES.** Consult the owner's manual for recommended accessories. The use of improper accessories may cause risk of injury.
17. **CHECK DAMAGED PARTS.** Before further use of the tool, a guard or other part that is damaged should be carefully checked to determine that it will operate properly and perform its intended function-check for alignment of moving parts, binding of moving parts, breakage of parts, mounting, and any other conditions that may affect its operation. Damaged parts should be properly repaired or replaced immediately.
18. **DIRECTION OF FEED.** Feed work into a blade or cutter against the direction of rotation of the blade or cutter only.
19. **NEVER LEAVE TOOL RUNNING UNATTENDED. TURN POWER OFF.** Don't leave tool until it comes to a complete stop.

## WARNING

# Safety Instructions for Nail Guns

1. Make sure the safety nose is functioning properly before loading fasteners.
2. Make sure the magazine spring is set before operating.
3. **ALWAYS** point nailer away from yourself and others when loading or operating.
4. **DO NOT** carry nailer with your finger on the trigger. Nailer will fire if safety nose is accidentally depressed.
5. **DO NOT** place your free hand or feet near the nailer tip to support the work. If you cannot safely support the work without placing body parts near the nailer tip, do not use this nailer.
6. **DO NOT** operate the nailer if workpiece is between you or someone else and the nailer. Reposition yourself so you and others are behind the nailer.
7. Use only clean, dry, regulated, compressed air. **DO NOT** connect this air tool to any pressurized gas other than compressed air.
8. Air compressors must comply with ANSI B 19.3 - 1981 (U.S.), "Safety Standard for Compressors for Process Industries."
9. **DO NOT** operate at a pressure higher than 90 PSI.
10. **NEVER** use this nailer for fastening aluminum, brass, metal, plastics, or any other like material.
11. Air hose must be rated as having a minimum working pressure of 150 p.s.i. or 150% of the maximum pressure produced in the line, whichever is greater. Inspect air hoses frequently.
12. All air tools exhaust compressed air. If working in an area where dust will become airborne due to exhausted air, **WEAR RESPIRATORY PROTECTION.**

# SECTION 2: GENERAL INFORMATION

---

Grizzly Industrial, Inc. is proud to offer its Model G1847, G1852, G1861 and G3811 Pneumatic Nailers and Staplers. These professional-quality tools are part of Grizzly's growing family of fine woodworking machinery. When used according to the guidelines set forth in this manual, you can expect years of trouble-free, enjoyable operation, and proof of Grizzly's commitment to customer satisfaction.

These nailers comprise a large part of our complete line of nail nailers covering most applications. The G1847 will shoot 18 Ga. staples between  $\frac{1}{2}$ " and  $\frac{7}{8}$ " long. The G3811 will shoot 18 Ga. staples between  $\frac{7}{8}$ " and  $1 \frac{3}{16}$ " long. The G1852 will shoot 18 Ga. brad nails between  $\frac{3}{8}$ " and  $1 \frac{3}{16}$ " long. The G1861 will shoot 18 Ga. brad nails between  $\frac{5}{8}$ " and  $1 \frac{9}{16}$ ". Each will handle up to 100 fasteners.

We are also pleased to provide this manual with your pneumatic nailer/stapler. It was written to guide you through general operating procedures and safety considerations. It represents our latest effort to produce the best documentation possible. If you have any criticisms that you feel we should address in our next printing, please write to us at the Bellingham, WA address at the end of this section.

## **WARNING**

The nailers and staplers described in this manual are powerful, professional-quality tools, each designed and built to provide outstanding results when used cautiously and with respect. Like any tools of their type, they can be inherently dangerous. Careless use could result in serious injury.

Please do not attempt to use these tools without familiarizing yourself with their instructions for assembly, adjustment, and safe operation. Failure to do so could result in serious personal injury, as well as property damage and damage to the tool.

Most important, we stand behind our machines. We have excellent service departments at your disposal should the need arise. If you have any service questions or parts requests, please call or write to us at the location listed below.

Grizzly Industrial, Inc.  
1203 Lycoming Mall Circle  
Muncy, PA 17756  
Phone:(570) 546-9663  
Fax:(800) 438-5901  
E-Mail: techsupport@grizzly.com  
Web Site: <http://www.grizzly.com>

To comment on this manual write to:

Grizzly Industrial, Inc.  
% Technical Documentation  
P.O. Box 2069  
Bellingham, WA 98227

To operate this, or any tool, safely and efficiently, it is essential to become as familiar with its characteristics as possible. Take as much time as necessary to become acquainted with your pneumatic nailer. The time you invest before you begin to use your tool will be time well spent. Also, read all of the safety procedures. If you do not understand them, **DO NOT** operate your nailer.



## **WARNING**

**ALWAYS** wear ANSI-approved goggles or safety glasses when operating these or any other woodworking tool. Wearing hearing protection is also strongly recommended. Failure to wear proper safety gear could result in serious personal injury.

# SECTION 3: OPERATIONS

---

---

## Unpacking

---

---

The pneumatic nailers/staplers are shipped from the manufacturer in a carefully packed carton. If you discover damaged after delivery, *please call Customer Service immediately for advice.*

Save the containers and all packing materials for possible inspection by the carrier or its agent. *Otherwise filing a claim can be difficult.*

Carefully remove the items packed in the carton. It may be a good idea to save the carton and packing material in case it might be needed in the future. Upon removal of all items from the package, you should have:

1. Nail Nailer
2. Allen Wrenches
3. Oil Bottle
4. Air Fitting



### **NOTE**

**Please keep all packaging materials until you are satisfied that the machine is in good condition. Should you need to file a freight claim, the carrier's agent will require inspection of those materials. Settling a claim can be difficult if packaging is not available.**

## Connecting To Air

---

---

If the air fitting is not already screwed in, first be sure the threads are wrapped with teflon tape and then screw it in the back. Teflon tape is available at most hardware stores.

**To connect the air hose to the air nozzle at the rear of the nailer:**

1. Pull back on the female hose connector sleeve.
2. Press the fitting onto the nailer air nozzle and release the sleeve. The female fitting will lock onto the male nailer fitting.
3. Listen for any air leaks. If no leaks are detected, you are ready to test fire the nailer.

Air pressure should be set at the minimum required to set the fastener and must not exceed 90 p.s.i.

Consistently operating at unnecessarily high pressures will put excessive stress on internal parts which will lead to premature nailer failure.



### **WARNING**

**Be sure that your air compressor is properly grounded. If you are unsure of the quality and condition of the circuit you intend to use, have it inspected and repaired by a qualified electrician. Failure to ensure proper grounding could result in serious injury and/or equipment damage.**

# Loading Brads

## To load the nailer:

1. Disconnect the air hose if connected.
2. Lift the magazine latch that holds the magazine in place. **Figure 1.**

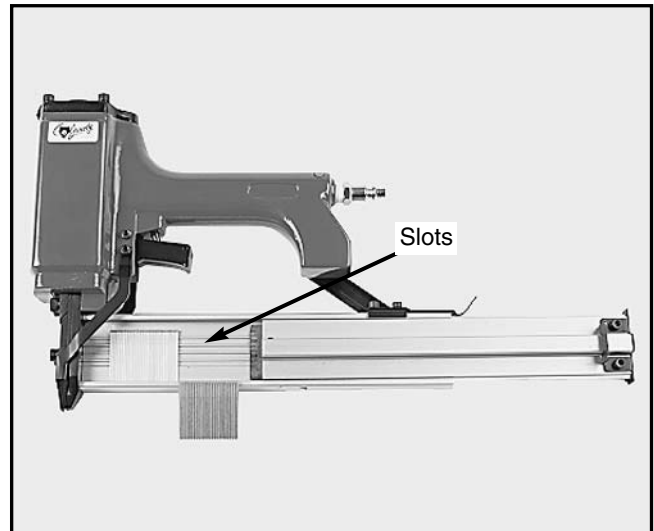


**Figure 1.** Releasing magazine latch.

## ! NOTE

Be sure that brads are in good condition before attempting to load them into the gun. Rusty, corroded, bent, or damaged brads should be discarded. Loading small, partial bands of brads can also jam the gun. Also, be sure that the brads you are using are the correct size and style for the gun.

3. Slide the magazine out and place the brads into the nailer. Your nailer has slots in its magazine to accommodate different size brads. **Figure 2.**
4. Close the magazine. The latch will snap into place if the brads are seated correctly.



**Figure 2.** Inserting brads in magazine.



## ! CAUTION

Do not force the magazine shut after loading. If the magazine seems stuck, or if it requires more pressure than normal to slide the magazine into its “firing” position, slide it back out and remove the brads. Try sliding the magazine while empty. If the magazine slides easily, open again, reload, and try to secure it.

If the magazine has difficulty closing when empty, inspect for a loose brad or other foreign object that may be jammed between the magazine slide and the frame of the gun.

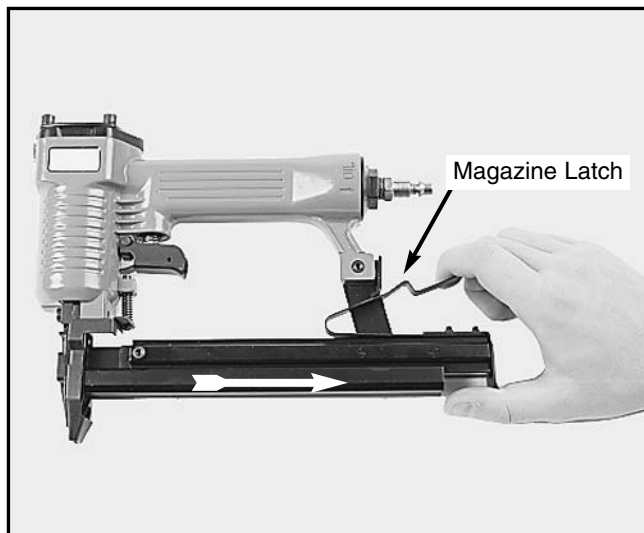
**CAUTION:** Disconnect the gun from its air source whenever you need to inspect or service the gun. Failure to do so could result in misfire and potential injury to the operator or others in the work area.



# Loading Staples

To load the stapler:

1. Disconnect the air hose if connected.
2. Press down on the magazine latch that holds the magazine in place. **Figure 3.**



**Figure 3.** Releasing the magazine.

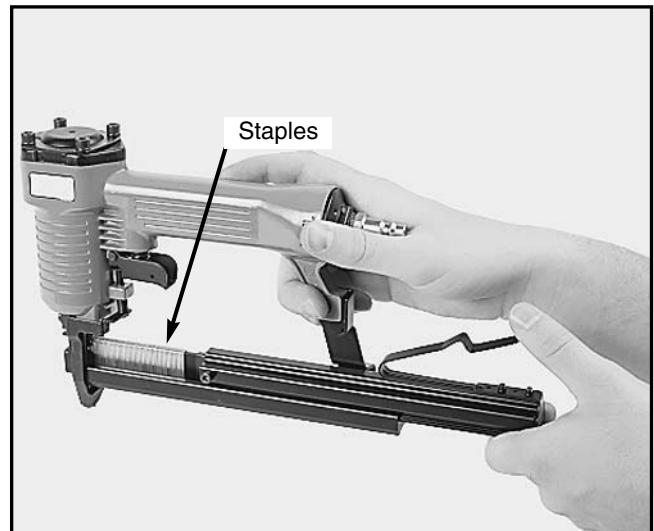
## **!WARNING**

**DO NOT** load or service any pneumatic nailer or stapler without first disconnecting it from its air source. Failure to do so could result in a misfire and possible serious injury to the operator or others in the work area.

## **!NOTE**

Be sure that staples are in good condition before attempting to load them into the gun. Rusty, corroded, damaged, or incorrectly-sized staples should not be used. Loading small, partial bands of staples can also jam the gun.

3. Slide the magazine out and place the staples into the nailer. The staples will seat over the guide in the magazine. **Figure 4.**
4. Close the magazine. The magazine latch will click into place if the staples are loaded correctly.



**Figure 4.** Staple placement.



## **!CAUTION**

**DO NOT** operate these pneumatic guns without wearing ANSI-approved goggles or safety glasses. Be sure that you are not wearing loose-fitting clothing or jewelry that could become entangled with the trigger and cause misfires. Serious personal injury could result. Never attempt to disconnect the safety mechanisms on any of these guns. In addition to voiding their warranties, doing so could result in serious injury to the operator or others in the work area.



# Test Fire

---

---

Whenever changing fastener size or composition of material being fastened, the nailer should be tested to ensure that the air pressure is set correctly and the nailer is working properly. To test fire the nailer:

1. Firmly press the safety nose down against the sample piece.
2. Pull trigger.
3. Inspect your results. If the nail is set too far into the workpiece, reduce the regulated air pressure. If the nail is not set or protrudes above the work surface, increase the air pressure. However, do not exceed the maximum air pressure recommended for the nailer or the hose (90 p.s.i. for the nailer).
4. Disconnect the air hose from the nailer when finished.

**Do not** hold the nailer so that exhausted air is blown into your face or someone else's face. Exhausted air will cause any dust near the operating nailer to become airborne; use a respirator if using the nailer in a dusty environment.



## WARNING

Under no circumstances should you exceed the recommended pressure limits for the pneumatic gun or the air hose. In addition to endangering the safety of the operator and others in the work area, over-pressurizing can cause damage to the gun and the hose. Evidence of operation at pressures exceeding maximum recommended levels could also void the gun's warranty.

# Air Quality

---

---

This air nailer or stapler must be regularly oiled and operated with treated or clean air. It is a precision tool with close internal tolerances designed for repetitious use. Wet and/or dirty air lowers performance and prematurely destroys internal parts.

**To ensure that the best quality air enters your nailer:**

1. Use an in-line system to automatically oil, filter, and dry compressed air. Grizzly offers an in-line regulator/filter/water-separator/lubricator (G2304). Please refer to our catalog for price and ordering information.
2. Keep your air filter clean. Replace periodically.
3. Drain compressor's air tank(s) frequently; more often in high humidity. This prevents corrosion in the tanks, as well as damage to your nailer or stapler.
4. Keep air hoses as clean as possible internally. Inspect nipples and couplers for any dirt and moisture. Blow out prior to connecting the nailer.



## WARNING

**DO NOT** operate this gun without wearing ANSI-approved goggles or safety glasses. Quality hearing protection is also strongly recommended. Failure to wear proper safety gear could result in serious personal injury and long-term damage to your sight and hearing.

## CAUTION

**Make your workshop child-safe.** Ensure that idle machines have their safety keys removed, sharp blades are stored safely out of reach, and that your shop is securely locked when your shop is not in use.

# SECTION 4: MAINTENANCE

---

---

## General

---

---

Maintenance requirements are minimal for these nailers. The two most common problems with any nailer are jamming and damaged drivers. In both cases, the nailer will need to be partially disassembled to make the repairs.

The third most common problem is worn out O-rings. Consult the Grizzly service staff for special instructions if needed. Grizzly has replacement parts and special O-ring rebuilding kits available for these tools.

**WARNING: All inspections and/or any maintenance is to be performed with the air supply disconnected from the tool.**

**Inspect and maintain the following items daily:**

1. Check the air nailer for any loose bolts or air leaks. Loose bolts should be retightened. Make sure that all lock washers are in place. Air leaks are an indication that internal seals are worn or nicked and should be replaced.
2. Make sure the safety nose and trigger are functioning properly. Repair as necessary. Do not use the nailer with a broken or modified safety nose.
3. Inspect the automatic lubricating system if applicable and fill as required. Inspect the in-line air and water filters if applicable and change or clean as necessary.
4. Inspect the compressor regulator and/or in-line regulator to ensure that they are set correctly. Adjust accordingly.



## Cleaning & Oiling

---

---

**CLEANING:** Keep the nailer nose as clean as possible. Dirt and debris have a tendency to work their way into the nailer from the nose. Wipe off any dirt that collects on the outside of the nailer before connecting it to the air supply.

**OILING:** Keep the nailer oiled. Use special pneumatic tool oil to keep internal parts well lubricated. This tool oil is available through the Grizzly Catalog (G2820).

If your air supply is not pre-lubricated, you must add 2 drops of oil directly into the air nozzle at the rear of the nailer each time the magazine is loaded. **NEVER USE** any oil that will corrode the rubber O-ring seals such as motor oil, detergent oils, or oils that are used as solvents. Avoid over-oiling.

**IMPORTANT:** When you first pick up an air activated nailer, **ALWAYS ASSUME THAT IT IS LOADED.** Open the magazine and inspect for any nails or staples before connecting it to the air hose. **Do not** connect the air supply until you are in position and ready to operate the nailer.



### **WARNING**

**DO NOT load or service any pneumatic nailer or stapler without first disconnecting it from its air source. Failure to do so could result in a misfire and possible injury.**

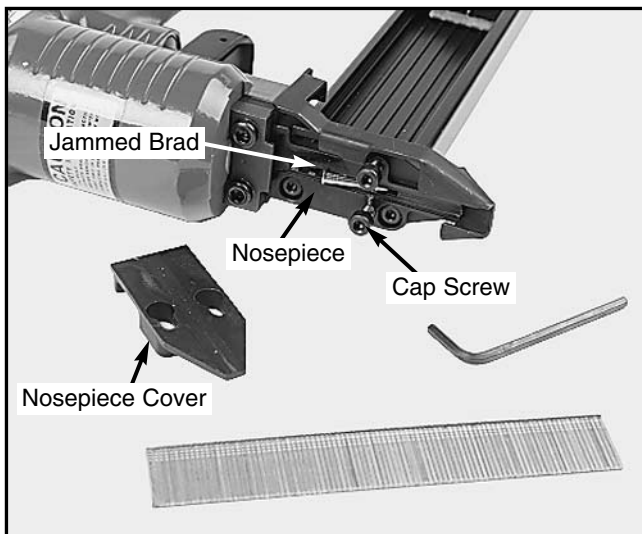
### **CAUTION**

**Ensure that the safety mechanism is working properly each time you use this tool. Under no circumstances should the safety be modified or disabled. Serious injury could occur.**

# Jamming

## To repair a jam:

1. Remove any fasteners remaining in the gun.
2. Partially unscrew the cap screws that hold the nosepiece cover in place. Slide the nosepiece cover down and pull it off. **Figure 5.** (**G1861:** Remove the safety tip before removing the nosepiece cover.)



4. Remove any fasteners lodged in the nailer nose.
5. Re-attach the nosepiece cover. Make sure it lines up properly. **G1861:** Attach the safety tip.
6. Load fasteners and connect the nailer to the air supply.
7. Make sure the safety tip is functioning correctly and that it slides freely. Test fire into a sample piece.

If jamming persists, make sure you are using fasteners within the size range of this nailer. If jamming is due to worn or broken parts, repair or replace them before placing the nailer back into service.



# Aligning Nosepiece

The nosepiece may become misaligned if the nailer has been dropped or otherwise mishandled. Misfiring and/or jamming will result if the nosepiece is misaligned – but correcting the problem is simple.

## To align the nosepiece:

1. Remove the nosepiece cover.
2. Remove fasteners and visually inspect to see if the nail slot in the nosepiece is aligned with the nail slot in the magazine. If it is hard to tell, put a nail in and see if it slides through both slots easily.
3. If the nosepiece is misaligned, loosen the cap screws that secure it to the magazine and shift it until it lines up.
4. Re-assemble.
5. **Do not** put any fasteners into the magazine. Connect the air hose. Check for any leaking air. You will hear it hissing or feel it rushing through the spaces.
6. If everything sounds normal, press the safety nose down on a piece of wood and pull the trigger a couple of times. Air should be exhausted normally each time.



## **CAUTION**

**DO NOT attempt to repair or service this gun without ensuring that all nails or staples have been removed and that the gun is disconnected from its air source. Use extreme care when testing after freeing jams or after re-loading. Always wear approved safety glasses or goggles and quality hearing protection when operating pneumatic guns or other woodworking tools and machinery. Failure to do so could result in serious personal injury.**

# Driver Replacement

## To remove the driver:

1. Disconnect the nailer from the air supply and remove any fasteners from the magazine.
2. Sequentially loosen the 4 cap screws securing the nailer cap to the nailer body.
3. **G1847/52:** Remove the 4 cap screws, deflector, cap, spring, and HD valve piston. Place them to one side. **Figure 6.** **G1861:** Remove the 4 cap screws, deflector, cap, gasket set, and spring. **Figure 7.**

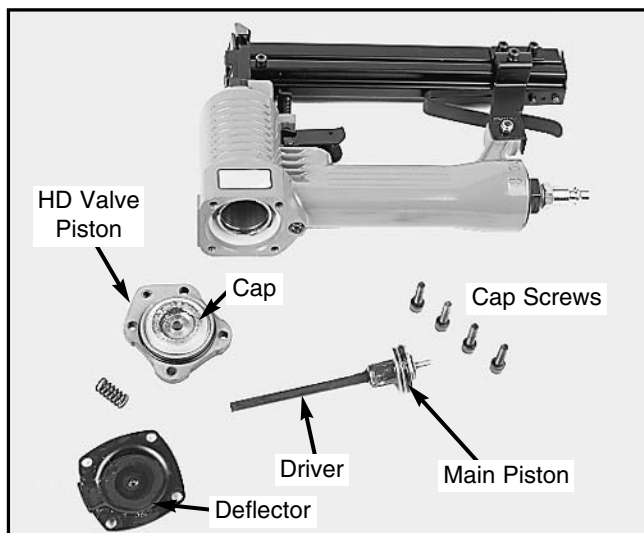


Figure 6. Stapler driver assembly.

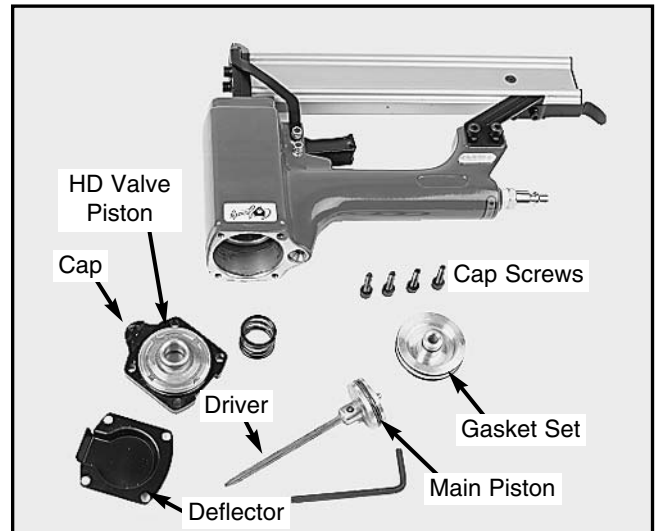


Figure 7. Brad driver assembly.

4. **G1861 only:** Remove the cap insert by placing one of your small Allen wrenches into the hole, wedging, and then pulling. The cap insert will work its way out. **Figure 9.**
5. Reach into the air cylinder with a pair of needle nose pliers, grasp the tip of the main piston unit, and pull it out. The driver is connected to the main piston unit.
6. Inspect driver condition and repair or replace as necessary.
7. Re-assemble the nailer.
8. **Do not** put any fasteners into the magazine. Connect the air hose. Check for any leaking air. You will hear it hissing or feel it rushing through the spaces.
9. If everything sounds normal, press the safety nose down on a piece of wood and pull the trigger a couple of times. Air should be exhausted normally each time.



# O-Rings

---

Since the nailer is disassembled, inspect the condition of the visible O-rings. If the O-rings show signs of wear and tear, they should be replaced. Inspect the surfaces where the O-rings seal for any possible rough spots which will erode the new O-rings. When replacing the O-rings, make sure that there is no dirt or grit in the groove where the O-rings seat. Do not stretch the O-rings or nick them on any sharp edges or burrs. If cleaning parts with a solvent, do not use a solvent that may deteriorate the O-rings.

## To re-assemble the nailer:

1. Before replacing O-rings, lubricate them with a light grease that is non corrosive to rubber.
2. **IMPORTANT:** Carefully position the driver tip into the plastic driver insert from the top of the nailer. You may have to wiggle the driver so the main piston seats into the cylinder. **G1861:** the driver has a T-shaped cross section and will only fit one way. If the driver is not seating, do not force it. Remove the driver unit, rotate 180°, and try to reinstall it.
3. Replace the parts in the same order they were removed. See the parts diagrams if necessary. Tighten the cap screws sequentially. **If the cap screws are not tightened evenly, the cap will not seat correctly, air will leak, and the nailer will not function. Ensure that the washers are installed under the cap screw heads.**
4. Check all bolts to make sure they are tight and test the nailer to ensure that it works properly.
5. **Do not** put any fasteners into the magazine. Connect the air hose. Check for any leaking air. You will hear it hissing or feel it rushing through the spaces.
6. If everything sounds normal, press the safety nose down on a piece of wood and pull the trigger a couple of times. Air should be exhausted normally each time.



## CAUTION

Failure to repair or replace damaged or worn parts could result in poor performance and additional damage to other components of the gun. Take the time to make repairs immediately, rather than nursing along a damaged gun. Doing so will ensure maximum performance and dependability.

## CAUTION

**DO NOT attempt to repair or service this gun without ensuring that all nails or staples have been removed and that the gun is disconnected from its air source. Use extreme care when testing after freeing jams or after re-loading. Always wear approved safety glasses or goggles and quality hearing protection when operating pneumatic guns or other woodworking tools and machinery. Failure to do so could result in serious personal injury.**

# SECTION 5: CLOSURE

---

The following pages contain general specifications, a parts diagram and list, and index for your Pneumatic Nailer.

If you need parts or help in assembling your nailer, or if you need operational information, we encourage you to call our Service Department. Our trained service technicians will be glad to help you.

The specifications, drawings, and photographs illustrated in this manual represent the Models G1847 / G1852 / G1861 / G3811 as supplied when the manual was prepared. But owing to Grizzly's policy of continuous improvement, changes may occur at any time with no obligation on the part of Grizzly. Should you receive a manual update, please insert it into the manual and keep it for reference.

We have included some important safety measures that are essential to this tool's operation. While most safety measures are generally universal, Grizzly reminds you that each workshop is different and safety rules should be considered *as they apply to your specific situation*.

## **WARNING**

The nailers and staplers described in this manual are powerful, professional-quality tools, each designed and built to provide outstanding results when used cautiously and with respect. Like any tools of their type, they can be inherently dangerous. Careless use could result in serious injury.

Please do not attempt to use these tools without familiarizing yourself with their instructions for assembly, adjustment, and safe operation. Failure to do so could result in serious personal injury, as well as property damage and damage to the tool.

We recommend you keep a copy of our current catalog for complete information regarding Grizzly's warranty and return policy. If you need additional technical information relating to this machine, or if you need general assistance or replacement parts, please contact the Service Department listed in the General Information.

Additional information sources are necessary to realize the full potential of pneumatic nailers. Trade journals, woodworking magazines, and your local library are good places to start.

### **WARNING!**

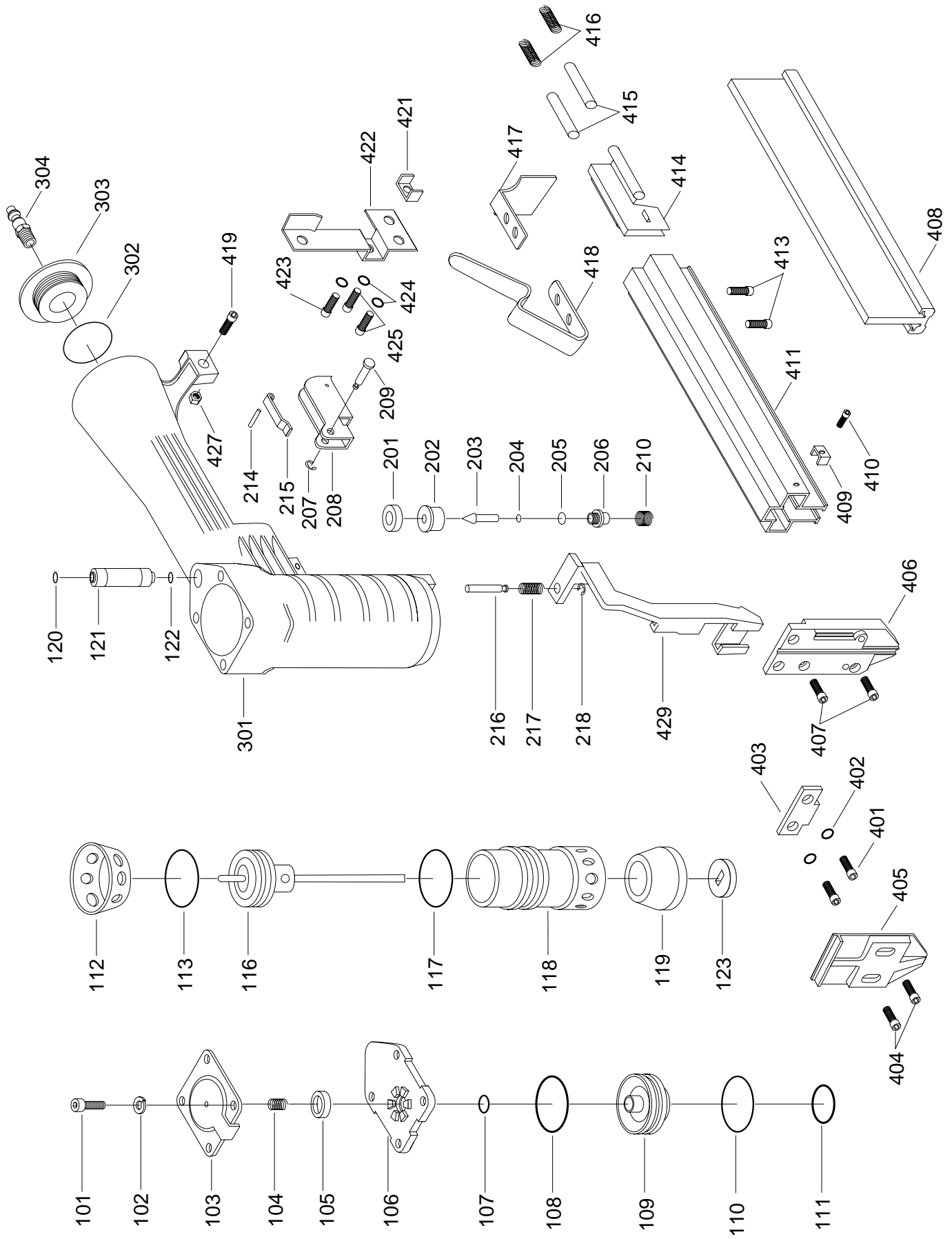
*As with all power tools, there is danger associated with pneumatic nailers/staplers. Use the tool with respect and caution to lessen the possibility of mechanical damage or operator injury. If normal safety precautions are overlooked or ignored, injury to the operator or others in the area is likely.*

Your pneumatic nailer was specifically designed for nailing or stapling operations. It must never be modified and/or used for any application other than that for which it was designed.

## **CAUTION**

**DO NOT MODIFY AND/OR USE THIS TOOL FOR ANY OTHER PURPOSE.** Modifications or improper use of this tool will void the warranty. If you are confused about any aspect of this tool, **DO NOT** use it until you have answered all your questions.

# G1847 PARTS DIAGRAM

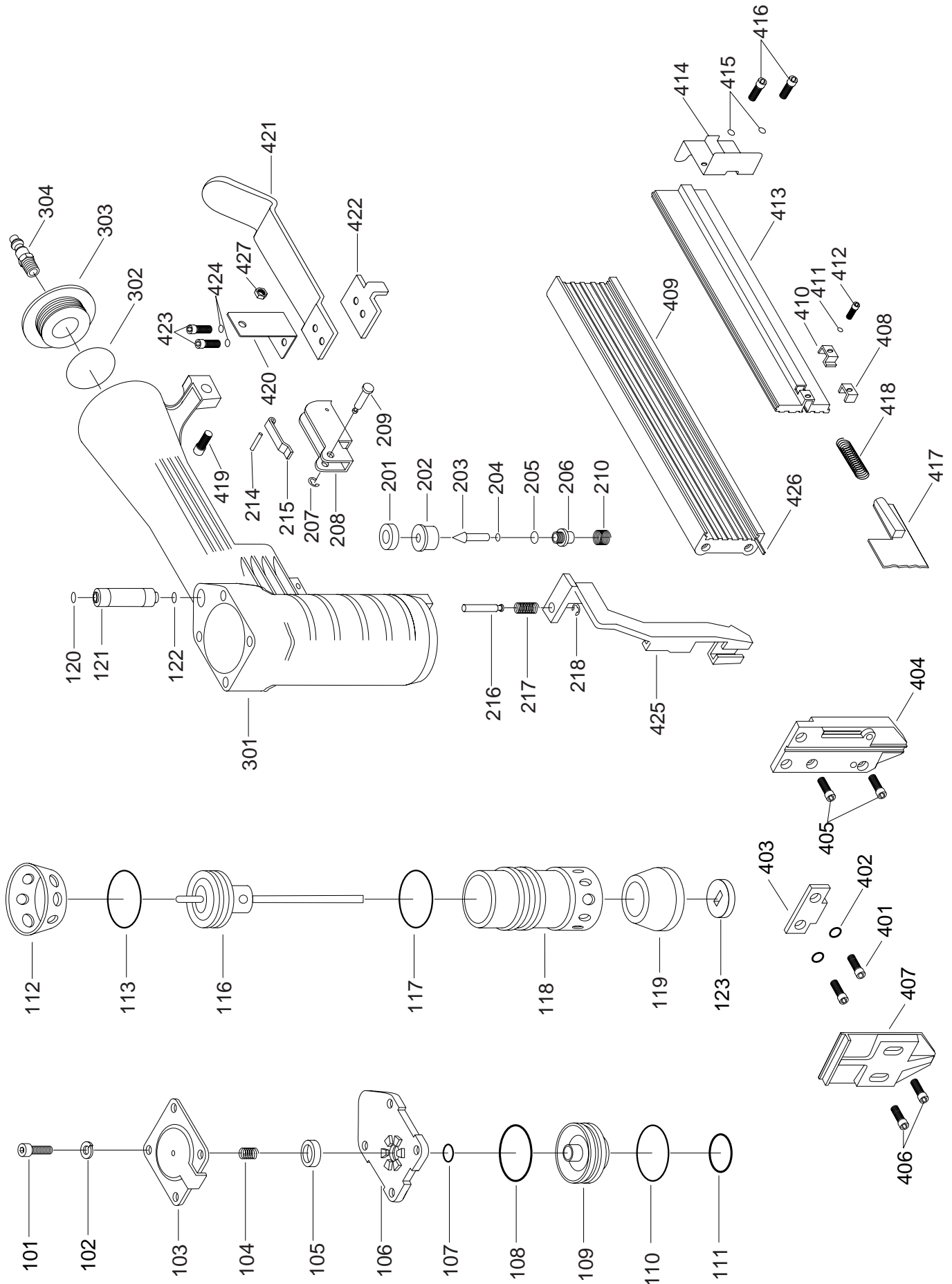




REF	PART #	DESCRIPTION
101	PSB15M	CAP SCREW M5 - 0.8 x 20
102	PLW01M	LOCK WASHER 5mm
103	P1847103	DEFLECTOR
104	P1847104	SPRING
105	P1847105	SEAL
106	P1847106	CAP
107	P1847107	O-RING
108	P1847108	O-RING
109	P1847109	HD VALVE PISTON
110	P1847110	O-RING
111	P1847111	O-RING
112	P1847112	COLLAR
113	P1847113	O-RING
116	P1847116	MAIN PISTON UNIT
117	P1847117	O-RING
118	P1847118	CYLINDER
119	P1847119	BUMPER
120	P1847120	O-RING
121	P1847121	TUBE
122	P1847122	O-RING
123	P1847123	JOINT GUIDE
201	P1847201	SEAL
202	P1847202	TRIGGER VALVE HEAD
203	P1847203	TRIGGER VALVE STEM
204	P1847204	O-RING
205	P1847205	O-RING
206	P1847206	TRIGGER VALVE GUIDE
207	PEC01M	E-CLIP 3mm
208	P1847208	TRIGGER
209	P1847209	STEPPED PIN
210	P1847210	SPRING
214	PRP11M	ROLL PIN 2.5 x 16mm
215	P1847215	SAFETY LEVER

REF	PART #	DESCRIPTION
216	P1847216	SHAFT
217	P1847217	SPRING
218	PEC02M	E-CLIP 4mm
301	P1847301	NAILER BODY
302	P1847302	O-RING
303	P1847303	NIPPLE
304	G2308	AIR FITTING
401	PSB15M	CAP SCREW M5 - 0.8 x 20
402	PLW01M	LOCK WASHER 5mm
403	P1847403	DRIVER GUIDE COVER B
404	PSB17M	CAP SCREW M4 - 0.7 x 10
405	P1847405	NOSEPIECE COVER
406	P1847406	NOSEPIECE
407	PSB41M	CAP SCREW M4 - 0.7 x 14
408	P1847408	MAGAZINE UNIT A
409	P1847409	STOPPER
410	PSB18M	CAP SCREW M4 - 0.7 x 8
411	P1847411	MAGAZINE UNIT B
413	PSB18M	CAP SCREW M4 - 0.7 x 8
414	P1847414	PUSHER
415	P1847415	PUSHER PIN
416	P1847416	SPRING
417	P1847417	REAR PLATE
418	P1847418	MAGAZINE LATCH
419	PSB16M	CAP SCREW M4 - 0.7 x 16
421	P1847421	STOPPER
422	P1847422	FIXED PLATE
423	PSB18M	CAP SCREW M4 - 0.7 x 8
424	PLW02M	LOCK WASHER 4mm
425	PSB17M	CAP SCREW M4 - 0.7 x 10
427	PLN01M	LOCK NUT M4 - 0.7
429	P1847429	SAFETY
430	P1847430	O-RING KIT

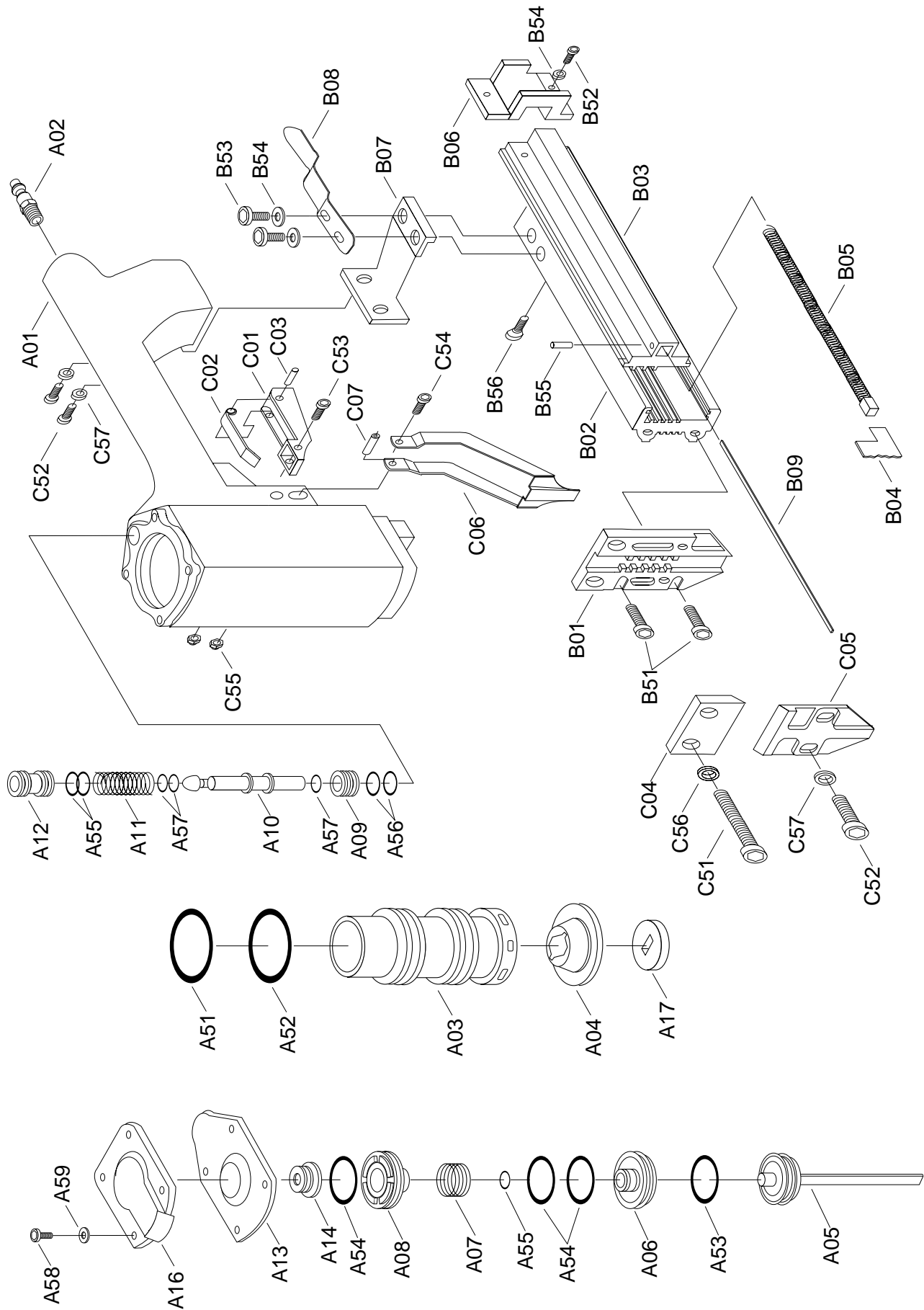
# G1852 PARTS DIAGRAM



REF	PART #	DESCRIPTION
101	PSB15M	CAP SCREW M5 - 0.8 x 20
102	PLW01M	LOCK WASHER 5mm
103	P1847103	DEFLECTOR
104	P1847104	SPRING
105	P1847105	SEAL
106	P1847106	CAP
107	P1847107	O-RING
108	P1847108	O-RING
109	P1847109	HD VALVE PISTON
110	P1847110	O-RING
111	P1847111	O-RING
112	P1852112	COLLAR
113	P1847113	O-RING
116	P1852114	MAIN PISTON UNIT
117	P1847117	O-RING
118	P1847118	CYLINDER
119	P1847119	BUMPER
120	P1847120	O-RING
121	P1847121	TUBE
122	P1847122	O-RING
123	P1847123	JOINT GUIDE
201	P1847201	SEAL
202	P1847202	TRIGGER VALVE HEAD
203	P1847203	TRIGGER VALVE STEM
204	P1847204	O-RING
205	P1847205	O-RING
206	P1847206	TRIGGER VALVE GUIDE
207	PEC01M	E-CLIP 3mm
208	P1847208	TRIGGER
209	P1847209	STEPPED PIN
210	P1847210	SPRING
214	PRP11M	ROLL PIN 2.5 x 16mm
215	P1847215	SAFETY LEVER
216	P1847216	SHAFT

REF	PART #	DESCRIPTION
217	P1847217	SPRING
218	PEC02M	E-CLIP 4mm
301	P1847301	NAILER BODY
302	P1847302	O-RING
303	P1847303	NIPPLE
304	G2308	AIR FITTING
401	PSB15M	CAP SCREW M5 - 0.8 x 20
402	PLW01M	LOCK WASHER 5mm
403	P1847403	DRIVER GUIDE COVER B
404	P1847404	NOSEPIECE
405	PSB41M	CAP SCREW M4 - 0.7 x 14
406	PSB17M	CAP SCREW M4 - 0.7 x 10
407	P1852407	NOSEPIECE COVER
408	P1852408	STOPPER
409	P1852409	MAGAZINE UNIT A
410	P1852410	STOPPER
411	PLW02M	LOCK WASHER 4 mm
412	PSB17M	CAP SCREW M4 - 0.7 x 10
413	P1852413	MAGAZINE UNIT B
414	P1852414	REAR PLATE
415	PLW02M	LOCK WASHER 4mm
416	PSB18M	CAP SCREW M4 - 0.7 x 8
417	P1852417	PUSHER
418	P1852418	SPRING
419	PSB18M	CAP SCREW M4 - 0.7 x 8
420	P1852420	FIXED PLATE
421	P1852421	MAGAZINE LATCH
422	P1852422	STOPPER
423	PSB23M	CAP SCREW M4 - 0.7 x 12
424	PLW02M	LOCK WASHER 4mm
425	P1852425	SAFETY
426	P1852426	FLAT BAR
427	PLN01M	LOCK NUT M4 - 0.7
428	P1847430	O-RING KIT

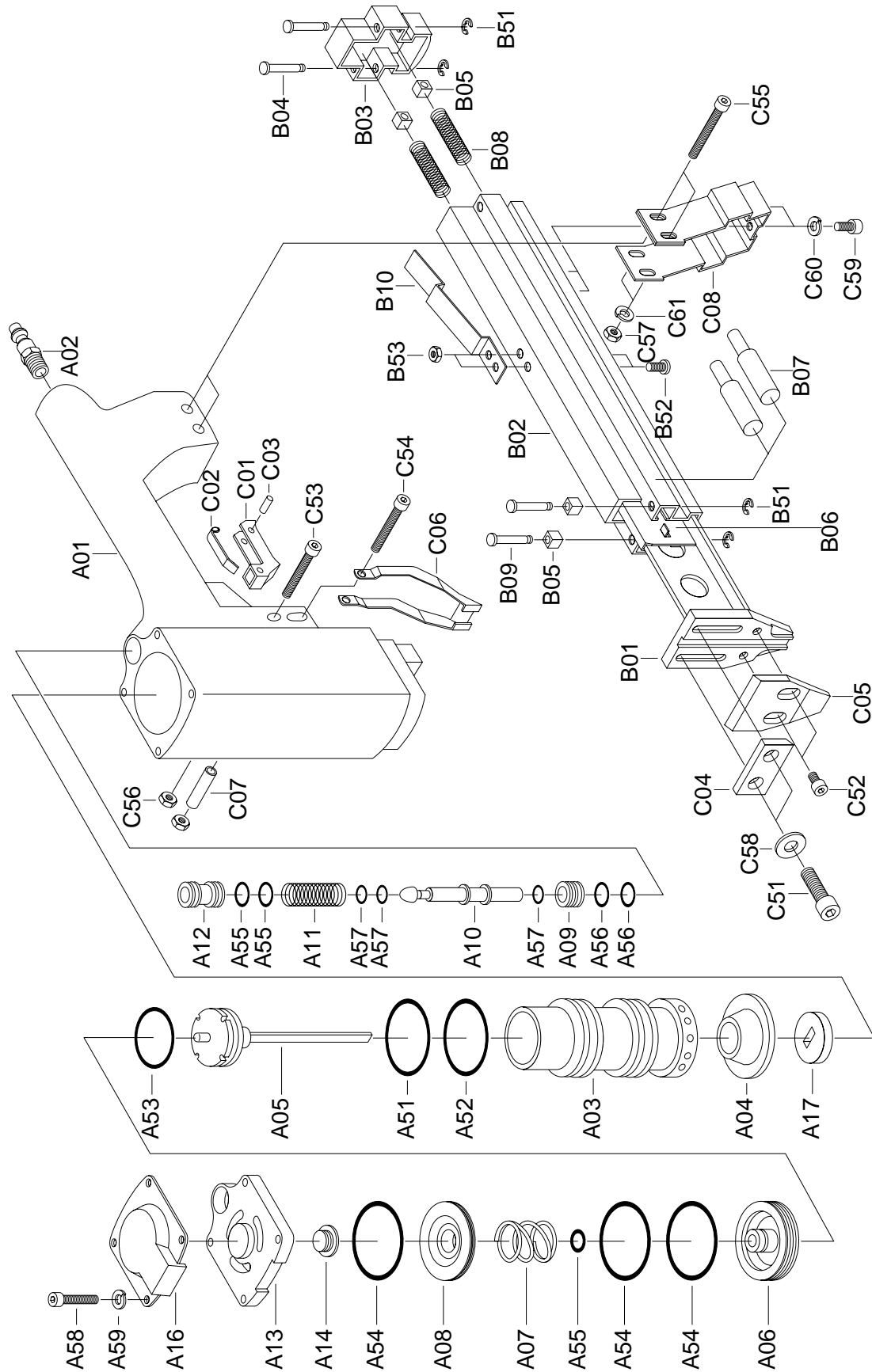
# G1861 PARTS DIAGRAM



REF	PART #	DESCRIPTION
A01	P1861A01	NAILER BODY
A02	G2308	AIR FITTING
A03	P1861A03	CYLINDER
A04	P1861A04	BUMPER
A05	P1861A05	MAIN PISTON UNIT
A06	P1861A06	GASKET SET
A07	P1861A07	SPRING
A08	P1861A08	HD VALVE PISTON
A09	P1861A09	COPPER COVER
A10	P1861A10	SHAFT, VALVE
A11	P1861A11	SPRING
A12	P1861A12	COLLAR
A13	P1861A13	CAP
A14	P1861A14	INSERT OF CAP
A16	P1861A16	DEFLECTOR
A17	P1861A17	JOINT GUIDE
A51	P1861A51	O-RING
A52	P1861A52	O-RING
A53	P1861A53	O-RING
A54	P1861A54	O-RING
A55	P1861A55	O-RING
A56	P1861A56	O-RING
A57	P1861A57	O-RING
A58	PSB15M	CAP SCREW M5 - 0.8 x 20
A59	PLW01M	LOCK WASHER 5mm
A60	P1861A60	O-RING KIT
B01	P1861B01	NOSEPIECE
B02	P1861B02	MAGAZINE UNIT A

REF	PART #	DESCRIPTION
B03	P1861B03	MAGAZINE UNIT B
B04	P1861B04	PUSHER
B05	P1861B05	SPRING
B06	P1861B06	REAR PLATE
B07	P1861B07	FIXED PLATE
B08	P1861B08	MAGAZINE LATCH
B09	P1861B09	FLAT BAR
B51	PSB16M	CAP SCREW M4 - 0.7 x 16
B52	PSB17M	CAP SCREW M4 - 0.7 x 10
B53	PSB18M	CAP SCREW M4 - 0.7 x 8
B54	PLW02M	LOCK WASHER 4mm
B55	PSS22M	SETSCREW M4 - 0.7 x 12
B56	P1861B56	SPECIAL BOLT
C01	P1861C01	TRIGGER
C02	P1861C02	SAFETY LEVER
C03	PRP02M	ROLL PIN 3 x 16
C04	P1861C04	DRIVER GUIDE COVER B
C05	P1861C05	NOSEPIECE COVER
C06	P1861C06	SAFETY
C07	P1861C07	SPACER SLEEVE
C51	PSB07M	CAP SCREW M6 - 1.0 x 30
C52	PSB20M	CAP SCREW M5 - 0.8 x 14
C53	PSB21M	CAP SCREW M4 - 0.7 x 30
C54	PSB22M	CAP SCREW M4 - 0.7 x 35
C55	PLN01M	LOCK NUT M4 - 0.7
C56	PLW03M	LOCK WASHER 6mm
C57	PLW01M	LOCK WASHER 5mm

# G3811 PARTS DIAGRAM



REF	PART #	DESCRIPTION
A01	P3811A01	NAILER BODY
A02	G2308	AIR FITTING
A03	P1861A03	CYLINDER
A04	P1861A04	BUMPER
A05	P3811A05	MAIN PISTON UNIT
A06	P1861A06	GASKET SET
A07	P1861A07	SPRING
A08	P1861A08	HD VALVE PISTON
A09	P1861A09	COPPER COVER
A10	P1861A10	SHAFT, VALVE
A11	P1861A11	SPRING
A12	P1861A12	COLLAR
A13	P1861A13	CAP
A14	P1861A14	INSERT OF CAP
A16	P1861A16	DEFLECTOR
A17	P3811A17	JOINT GUIDE
A51	P1861A51	O-RING
A52	P1861A52	O-RING
A53	P1861A53	O-RING
A54	P1861A54	O-RING
A55	P1861A55	O-RING
A56	P1861A56	O-RING
A57	P1861A57	O-RING
A58	PSB15M	CAP SCREW M5 - 0.8 x 20
A59	PLW01M	LOCK WASHER 5mm
A60	P1861A60	O-RING KIT
B01	P3811B01	DRIVER GUIDE
B02	P3811B02	COVER ASSEMBLY
B03	P3811B03	PLASTIC COVER

REF	PART #	DESCRIPTION
B04	P3811B04	FIXED PIN
B05	P3811B05	SPRING STOPPER
B06	P3811B06	PUSHER
B07	P3811B07	FIXED PIN
B08	P3811B08	PUSHER SPRING
B09	P3811B09	FIXED PIN
B10	P3811B10	STOPPER
B51	P3811B51	E-CLIP
B52	PSB17M	CAP SCREW M4 - 0.7 x 10
B53	P3811B53	HEX NUT
C01	P1861C01	TRIGGER
C02	P1861C02	SAFETY LEVER
C03	PRP02M	ROLL PIN 3 x 16
C04	P3811C04	DRIVER GUIDE COVER B
C05	P3811C05	DRIVER GUIDE COVER A
C06	P3811C06	SAFETY
C07	P1861C07	SPACER SLEEVE
C08	P3811C08	ATTACHING PLATE
C51	PSB07M	CAP SCREW M6 - 1.0 x 30
C52	PSB20M	CAP SCREW M5 - 0.8 x 14
C53	PSB21M	CAP SCREW M4 - 0.7 x 30
C54	PSB22M	CAP SCREW M4 - 0.7 x 35
C55	P3811C55	CAP SCREW
C56	PLN01M	LOCK NUT M4 - 0.7
C57	P3811C57	LOCK NUT
C58	PLW03M	LOCK WASHER 6mm
C59	P3811C59	CAP SCREW
C60	P3811C60	LOCK WASHER
C61	P3811C61	LOCK WASHER



**MACHINE DATA**  
**GRIZZLY MODEL G1847/G1852/G1861/G3811 PNEUMATIC NAILERS/STAPLERS**

**Operating Air Pressure:** 65 to 90 P.S.I.

**Fastener Length:**

<b>G1847</b> .....	1/2" to 7/8" Crowned Staples
<b>G1852</b> .....	3/8" to 1 3/16" Brads
<b>G1861</b> .....	5/8" to 1 9/16" Brads
<b>G3811</b> .....	7/8" to 1 3/16" Crowned Staples

**Gauge:** ..... 18 Ga.

**Magazine Capacity:** ..... 100

**Construction:** ..... Cast Aluminum and Hardened Steel

**Coupling System:** ..... 1/4" NPT

**Recommended Lubricating Oil:** ..... Pneumatic Tool Oil

**Nailer Weight:**

<b>G1847</b> .....	3.10 lbs.
<b>G1852</b> .....	3.15 lbs.
<b>G1861</b> .....	4.20 lbs.
<b>G3811</b> .....	3.80 lbs.

**Parts and Accessories:**

A rebuilding kit is available from Grizzly and includes all O-rings. The rebuilding kit and other parts can be individually ordered through our Service Department.

Grizzly also carries air hose, in-line regulator/filter/water-separator/lubricator, quick connect couplers and a complete line of fasteners. Please refer to a current Grizzly catalog for price and ordering information.

*Specifications, while accurate, are subject to change without notice.*

# TROUBLESHOOTING GUIDE

Symptom	Cause	Solution
Air leaking at trigger valve area.	O-Rings in trigger valve housing are damaged or dry.	Replace and/or re-lubricate trigger system O-Rings.
Air leaking between body and nose.	<ol style="list-style-type: none"> <li>O-Rings are damaged or dry.</li> <li>Loose screws.</li> <li>Bumper is damaged.</li> </ol>	<ol style="list-style-type: none"> <li>Replace and/or re-lubricate O-Rings.</li> <li>Loosen all screws first, and then tighten sequentially using 1/2 turns.</li> <li>Replace bumper.</li> </ol>
Air leaking between body and cap.	<ol style="list-style-type: none"> <li>O-Rings are damaged or dry.</li> <li>Loose screws.</li> </ol>	<ol style="list-style-type: none"> <li>Replace and/or re-lubricate O-Rings.</li> <li>Loosen all screws first, and then tighten sequentially using 1/2 turns.</li> </ol>
Nailer won't shoot even when loaded and under pressure.	<ol style="list-style-type: none"> <li>Bumper is damaged.</li> <li>Nose piece is dirty.</li> <li>Dirt or damage prevents the fasteners or driver from moving freely.</li> <li>Damaged HD valve spring.</li> <li>Inadequate air pressure.</li> <li>O-Rings are damaged or dry.</li> <li>Trigger is damaged.</li> <li>Air leaks.</li> <li>Nosepiece is misaligned.</li> </ol>	<ol style="list-style-type: none"> <li>Replace bumper</li> <li>Clean nose piece.</li> <li>Clean and inspect for damage.</li> <li>Replace spring.</li> <li>Adjust air pressure.</li> <li>Replace and/or re-lubricate O-Rings.</li> <li>Inspect trigger. Replace if necessary.</li> <li>Replace and/or re-lubricate O-Rings and/or check for loose screws.</li> <li>Align nosepiece.</li> </ol>
Nails don't set properly and/or nailer does not recover quickly.	<ol style="list-style-type: none"> <li>Nailer is inadequately lubricated.</li> <li>HD valve spring is broken.</li> <li>Exhaust port is blocked.</li> </ol>	<ol style="list-style-type: none"> <li>Disassemble and re-lubricate.</li> <li>Replace spring.</li> <li>Clean exhaust port.</li> </ol>
Jamming.	<ol style="list-style-type: none"> <li>Driver guide is worn.</li> <li>Fasteners are incorrect size.</li> <li>Fasteners are bent.</li> <li>Magazine or nose screws are loose.</li> <li>Driver is damaged.</li> <li>Nosepiece misaligned.</li> </ol>	<ol style="list-style-type: none"> <li>Replace guide.</li> <li>Use recommended fasteners.</li> <li>Use straight fasteners.</li> <li>Tighten screws sequentially.</li> <li>Replace or recondition driver.</li> <li>Align nosepiece.</li> </ol>
Brads or staples are driven too far.	<ol style="list-style-type: none"> <li>Air pressure is set too high.</li> <li>Bumper is worn or broken.</li> </ol>	<ol style="list-style-type: none"> <li>Check air pressure.</li> <li>Replace bumper.</li> </ol>
O-Rings have been replaced and/or re-lubricated, but air still leaks out.	<ol style="list-style-type: none"> <li>Screws were not tightened sequentially.</li> <li>Not enough grease was used on O-Rings.</li> <li>Wrong type of grease was used that damaged O-Rings.</li> <li>Nailer lubrication oil is not rubber-safe.</li> </ol>	<ol style="list-style-type: none"> <li>Loosen all screws first, and then tighten sequentially using 1/2 turns.</li> <li>Remove O-Rings and re-lubricate.</li> <li>Remove O-Rings and replace with new ones Use grease that is safe for rubber.</li> <li>Completely disassemble nailer and clean Replace all O-Rings. Use rubber-safe grease for new O-Rings and only use Pneumatic Tool Oil in the future.</li> </ol>

# WARRANTY AND RETURNS

---

---

Grizzly Industrial, Inc. warrants every product it sells for a period of **1 year** to the original purchaser from the date of purchase. This warranty does not apply to defects due directly or indirectly to misuse, abuse, negligence, accidents, repairs or alterations or lack of maintenance. This is Grizzly's sole written warranty and any and all warranties that may be implied by law, including any merchantability or fitness, for any particular purpose, are hereby limited to the duration of this written warranty. We do not warrant or represent that the merchandise complies with the provisions of any law or acts unless the manufacturer so warrants. In no event shall Grizzly's liability under this warranty exceed the purchase price paid for the product and any legal actions brought against Grizzly shall be tried in the State of Washington, County of Whatcom.

We shall in no event be liable for death, injuries to persons or property or for incidental, contingent, special, or consequential damages arising from the use of our products.

To take advantage of this warranty, contact us by mail or phone and give us all the details. We will then issue you a "Return Number", which must be clearly posted on the outside as well as the inside of the carton. We will not accept any item back without this number. Proof of purchase must accompany the merchandise.

The manufacturers reserve the right to change specifications at any time because they constantly strive to achieve better quality equipment. We make every effort to ensure that our products meet high quality and durability standards and we hope you never need to use this warranty.

Please feel free to write or call us if you have any questions about the machine or the manual.

Thank you again for your business and continued support. We hope to serve you again soon.

# WARRANTY CARD

Name \_\_\_\_\_ Phone Number \_\_\_\_\_

Street \_\_\_\_\_

City \_\_\_\_\_ State \_\_\_\_\_ Zip \_\_\_\_\_

MODEL # \_\_\_\_\_ Order # \_\_\_\_\_

The following information is given on a voluntary basis. It will be used for marketing purposes to help us develop better products and services. Of course, all information is strictly confidential.

1. How did you learn about us?

- Advertisement  Friend  
 Catalog  Card Deck  
 World Wide Web  
 Other \_\_\_\_\_

2. Which of the following magazines do you subscribe to.

- American Woodworker  Practical Homeowner  
 Cabinetmaker  Shop Notes  
 Family Handyman  Today's Homeowner  
 Fine Homebuilding  WOOD  
 Fine Woodworking  Wooden Boat  
 Home Handyman  Woodshop News  
 Journal of Light Construction  Woodsmith  
 Old House Journal  Woodwork  
 Popular Mechanics  Woodworker  
 Popular Science  Woodworker's Journal  
 Popular Woodworking  Workbench  
 Other \_\_\_\_\_

3. Which of the following woodworking/remodeling shows do you watch?

- Backyard America  The New Yankee Workshop  
 Home Time  This Old House  
 The American Woodworker  Woodwright's Shop  
 Other \_\_\_\_\_

4. What is your annual household income?

- \$20,000-\$29,999  \$60,000-\$69,999  
 \$30,000-\$39,999  \$70,000-\$79,999  
 \$40,000-\$49,999  \$80,000-\$89,999  
 \$50,000-\$59,999  \$90,000 +

5. What is your age group?

- 20-29  50-59  
 30-39  60-69  
 40-49  70 +

6. How long have you been a woodworker?

- 0 - 2 Years  8 - 20 Years  
 2 - 8 Years  20+ Years

7. How would you rank your woodworking skills?

- Simple  Advanced  
 Intermediate  Master Craftsman

8. What stationary woodworking tools do you own? Check all that apply.

- Air Compressor  Panel Saw  
 Band Saw  Planer  
 Drill Press  Power Feeder  
 Drum Sander  Radial Arm Saw  
 Dust Collector  Shaper  
 Horizontal Boring Machine  Spindle Sander  
 Jointer  Table Saw  
 Lathe  Vacuum Veneer Press  
 Mortiser  Wide Belt Sander  
 Other \_\_\_\_\_

9. How many of your woodworking machines are Grizzly? \_\_\_\_\_

10. Which benchtop tools do you own? Check all that apply.

- 1" x 42" Belt Sander  6" - 8" Grinder  
 5" - 8" Drill Press  Mini Lathe  
 8" Table Saw  10" - 12" Thickness Planer  
 8" - 10" Bandsaw  Scroll Saw  
 Disc/Belt Sander  Spindle/Belt Sander  
 Mini Jointer  
 Other \_\_\_\_\_

11. How many of the machines checked above are Grizzly? \_\_\_\_\_

12. Which portable/hand held power tools do you own? Check all that apply.

- Belt Sander  Orbital Sander  
 Biscuit Joiner  Palm Sander  
 Circular Saw  Portable Planer  
 Detail Sander  Saber Saw  
 Drill/Driver  Reciprocating Saw  
 Miter Saw  Router  
 Other \_\_\_\_\_

13. What machines/supplies would you like Grizzly Industrial to carry?

- 12" Table Saw  Horizontal Boring Machine  
 24" Planer  Panel Saw  
 Combination Planer/Joiner  Radial Arm Saw  
 Paint & Finishing Supplies  Lumber  
 Contractor's Supplies  Brass Hardware  
 Other \_\_\_\_\_

14. What new accessories would you like Grizzly Industrial to carry?

- Builders Hardware  Hand Tools  
 Fasteners  Wood Components  
 Other \_\_\_\_\_

15. What other companies do you purchase your tools and supplies?  
\_\_\_\_\_  
\_\_\_\_\_

16. Do you think your purchase represents good value?

- Yes  No

17. Would you recommend Grizzly Industrial to a friend?

- Yes  No

18. Would you allow us to use your name as a reference for Grizzly customers in your area? **Note: We never use names more than three times.**

- Yes  No

19. Comments: \_\_\_\_\_  
\_\_\_\_\_  
\_\_\_\_\_  
\_\_\_\_\_  
\_\_\_\_\_

Cut along dotted line

FOLD ALONG DOTTED LINE

---

---

---

Place  
Stamp  
Here



**GRIZZLY INDUSTRIAL, INC.  
P.O. BOX 2069  
BELLINGHAM, WA 98227-2069**

FOLD ALONG DOTTED LINE

Send a Grizzly Catalog to a friend:

Name _____
Street _____
City _____ State _____ Zip _____

TAPE ALONG EDGES--PLEASE DO NOT STAPLE

## Free Manuals Download Website

<http://myh66.com>

<http://usermanuals.us>

<http://www.somanuals.com>

<http://www.4manuals.cc>

<http://www.manual-lib.com>

<http://www.404manual.com>

<http://www.luxmanual.com>

<http://aubethermostatmanual.com>

Golf course search by state

<http://golfingnear.com>

Email search by domain

<http://emailbydomain.com>

Auto manuals search

<http://auto.somanuals.com>

TV manuals search

<http://tv.somanuals.com>