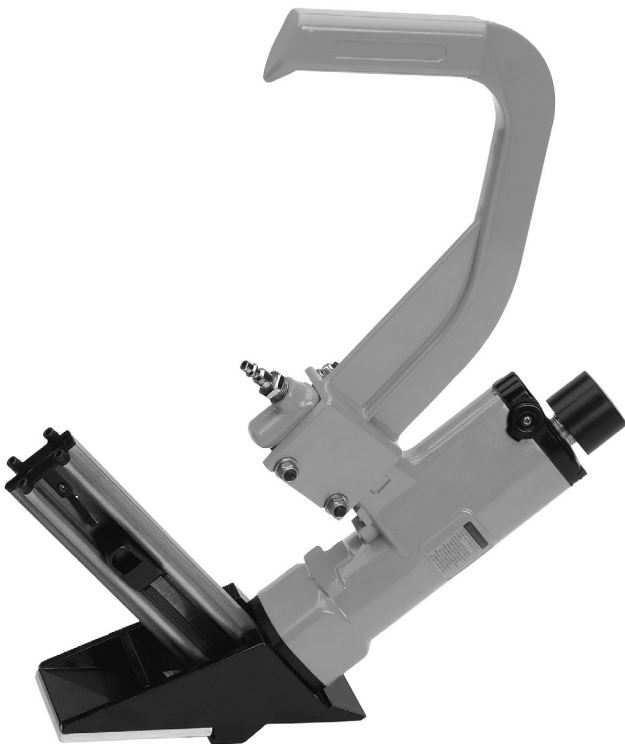


Grizzly *Industrial, Inc.*®

MODEL H7826 Flooring Nailer OWNER'S MANUAL



COPYRIGHT © OCTOBER, 2005 BY GRIZZLY INDUSTRIAL, INC. MAY, 2007 (TR)
WARNING: NO PORTION OF THIS MANUAL MAY BE REPRODUCED IN ANY SHAPE
OR FORM WITHOUT THE WRITTEN APPROVAL OF GRIZZLY INDUSTRIAL, INC.
#EW7635 PRINTED IN CHINA

Table of Contents

INTRODUCTION.....	1
Foreword.....	1
Machine Data	1
Contact Information	1
Safety Instructions For Pneumatic Tools.....	2
Additional Safety Instructions for Nailers.....	4
SECTION 2: SETUP	6
Unpacking.....	6
Inventory	6
Compressed Air System.....	7
Firing Mechanism	8
SECTION 3: OPERATIONS	9
Oiling Nailer	9
Loading Nailer	9
Operating Nailer.....	10
Clearing Jammed Nails	11
SECTION 4: MAINTENANCE	12
Cleaning.....	12
Replacing Pistons/O-Rings.....	12
Troubleshooting	14
Parts	15
WARRANTY AND RETURNS	16

INTRODUCTION

Foreword

We are proud to offer the Grizzly Model H7826 Flooring Nailer. This model is part of a growing Grizzly family of fine pneumatic tools. When used according to the guidelines set forth in this manual, you can expect years of trouble-free, enjoyable operation and proof of Grizzly's commitment to customer satisfaction.

It is our pleasure to provide this manual with the Model H7826 Flooring Nailer. It was written to encourage safety considerations and guide you through general operating procedures and maintenance.

The specifications, details, and photographs in this manual represent the Model H7826 as supplied when the manual was prepared. However, owing to Grizzly's policy of continuous improvement, changes may be made at any time with no obligation on the part of Grizzly.

Machine Data

Nail Length	1½"-2"
Magazine Capacity	100 Nails
Air Inlet	¾" NPT
Flooring Nailer Weight	11½ lbs.
Hammer Weight.....	2½ lbs.
Operating Pressure	70-110 PSI

Contact Information

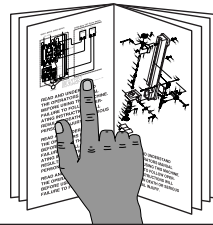
If you have any comments regarding this manual, please write to us at the following address:

Grizzly Industrial, Inc.
C/O Technical Documentation
P.O. Box 2069
Bellingham, WA 98227-2069

Most importantly, we stand behind our tools. If you have any service questions or parts requests, please call or write us at the location listed below.

Grizzly Industrial, Inc.
1203 Lycoming Mall Circle
Muncy, PA 17756
Phone: (570) 546-9663
Fax: (800) 438-5901
E-Mail: techsupport@grizzly.com
Web Site: <http://www.grizzly.com>

WARNING



Read the manual before operation. Become familiar with this tool, its safety instructions, and its operation before beginning any work. Serious personal injury may result if safety or operational information is not understood or followed.

SECTION 1: SAFETY

WARNING

For Your Own Safety Read Instruction Manual Before Operating This Equipment

The purpose of safety symbols is to attract your attention to possible hazardous conditions. This manual uses a series of symbols and signal words which are intended to convey the level of importance of the safety messages. The progression of symbols is described below. Remember that safety messages by themselves do not eliminate danger and are not a substitute for proper accident prevention measures.



Indicates an imminently hazardous situation which, if not avoided, WILL result in death or serious injury.



Indicates a potentially hazardous situation which, if not avoided, COULD result in death or serious injury.



Indicates a potentially hazardous situation which, if not avoided, MAY result in minor or moderate injury. It may also be used to alert against unsafe practices.

NOTICE

This symbol is used to alert the user to useful information about proper operation of the equipment.

WARNING

Safety Instructions For Pneumatic Tools

- 1. KEEP ALL SAFETY DEVICES IN PLACE** and in working order.
- 2. REMOVE ADJUSTING KEYS AND WRENCHES.** Form habit of checking to see that keys and adjusting wrenches are removed from tool before operation.
- 3. KEEP WORK AREA CLEAN.** Cluttered areas and benches invite accidents.
- 4. DO NOT USE IN DANGEROUS ENVIRONMENT.** Do not use pneumatic tools in damp or wet locations, or where any flammable or noxious fumes may exist. Keep work area well lighted.
- 5. KEEP CHILDREN AND VISITORS AWAY.** All children and visitors should be kept at a safe distance from work area.
- 6. MAKE WORKSHOP CHILD PROOF** by locking your shop and shutting off air valves.
- 7. DO NOT FORCE TOOL.** It will do the job better and safer at the rate for which it was designed.
- 8. USE THE RIGHT TOOL.** Do not force tool or attachment to do a job for which it was not designed.
- 9. DO NOT USE UNDER THE INFLUENCE OF DRUGS OR ALCOHOL.**

WARNING

Safety Instructions For Pneumatic Tools

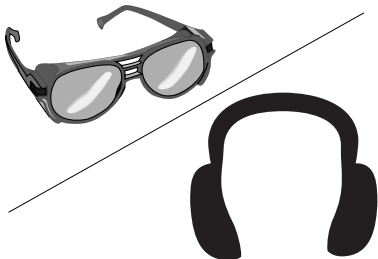
10. **USE PROPER AIR HOSE** for the tool. Make sure your air hose is in good condition and is long enough to reach your work without stretching.
11. **WEAR PROPER APPAREL.** Do not wear loose clothing, gloves, neckties, rings, bracelets, or other jewelry which may get caught in moving parts. Non-slip footwear is recommended. Wear a protective hair covering to contain long hair.
12. **ALWAYS USE SAFETY GLASSES.** Also use a face or dust mask if cutting operation is dusty. Everyday eyeglasses only have impact resistant lenses, they are NOT safety glasses.
13. **WEAR APPROVED HEARING PROTECTION.** Air escaping from pneumatic tools can exceed safe exposure limits and may cause hearing damage with prolonged exposure.
14. **SECURE WORK.** Use clamps or a vise to hold work when practical. It is safer than using your hand and frees both hands to operate tool.
15. **MAINTAIN TOOLS WITH CARE.** Keep tools lubricated and clean for best and safest performance. Follow instructions for lubricating and changing accessories.
16. **REDUCE THE RISK OF UNINTENTIONAL FIRING.** Do not carry tool with hand on trigger and always disconnect from air when not in use.
17. **DISCONNECT TOOLS** before servicing, changing accessories, or moving to another location.
18. **DO NOT OVERREACH.** Keep proper footing/balance at all times.
19. **USE THE RECOMMENDED ACCESSORIES.** Consult owner's manual for recommended accessories. The use of improper accessories may cause risk of injury.
20. **CHECK FOR DAMAGED PARTS BEFORE USING.** Check for binding and alignment of parts, broken parts, part mounting, loose bolts, and any other conditions that may affect machine operation. Repair or replace damaged parts.
21. **NEVER LEAVE UNATTENDED TOOL CONNECTED TO AIR.** Disconnect the air hose and do not leave tool until it is relieved of any built up pressure.
22. **NEVER ALLOW UNTRAINED USERS TO USE THIS TOOL WHILE UNSUPERVISED.**
23. **IF YOU ARE UNSURE OF THE INTENDED OPERATION, STOP USING TOOL.** Seek formal training or research books or magazines that specialize in pneumatic tools.
24. **BE AWARE OF HOSE LOCATION WHEN USING PNEUMATIC TOOLS.** Hoses can easily become a tripping hazard when laid across the floor or spread out in a disorganized fashion.

WARNING

Additional Safety Instructions for Nailers

1. **HAND AND FOOT INJURIES:** Do not place your hands or feet near the nail point of entry. A nail can deflect and tear through the surface of the workpiece, puncturing your hand or foot.
2. **COMPRESSED AIR RATING:** Do not connect the nailer to compressed air that exceeds 120 PSI.
3. **ACTUATING MECHANISM:** Be careful not to bump the actuating mechanism when carrying or holding the tool while connected to air. If bumped, the tool may accidentally shoot in a dangerous direction.
4. **SAFE HANDLING:** Never point the nailer at others! Carry the nailer only by the handle, never by any other part. Do not carry the nailer by the air hose.
5. **HOSE USAGE:** Make sure your air hose is designed for the tool in use, is in good condition, and is long enough to reach your work without stretching. However, an overly long air hose in the work area may be a tripping hazard.
6. **HAMMER SAFETY:** DO NOT use a hammer with a damaged handle or a loose head. Make sure nobody is standing close enough to be hit when you swing the hammer.
7. **NAILING:** Avoid driving one nail on top of another. The nail may deflect and cause injury.
8. **AIR SUPPLY:** Disconnect the air supply before installing nails, clearing a jam, moving to another work area, performing maintenance, or when the tool is not in use. A nailer connected to air may fire accidentally, causing serious personal injury. DO NOT use a check valve or any other fitting that allows air to remain in the tool.
9. **COMBUSTIBLE GASES:** Never connect the nailer to pressurized oxygen or other combustible gases as a power source. Only use regulated compressed air.
10. **CLEANING:** Never use gasoline or other flammable liquids to clean the nailer; vapors in the nailer will ignite by a spark and cause it to explode.
11. **TOOL SERVICE:** If the nailer is leaking air, damaged, or not working correctly, DO NOT use before repairing.
12. **OPERATING QUESTIONS:** If you are not sure about the intended operation, stop using the nailer. Seek formal training or research books or magazines that specialize in pneumatic tools.

! WARNING



Operating this nailer can propel objects into the air, causing immediate eye damage. To protect yourself, always wear American National Standards Institute (ANSI) approved safety glasses or goggles when operating this equipment. In addition, this nailer discharges at up to 85-90 decibels. To protect your hearing, always wear ANSI approved ear protection when operating this nailer.

! CAUTION

Nailer accidents routinely happen while moving the gun to another location, to another room, or even another job site. Always disconnect the nailer immediately after use and never transport the nailer while connected to the air—even if the air compressor is disconnected from its power source!

! CAUTION

No list of safety guidelines can be complete. Every shop environment is different. Always consider safety first, as it applies to your individual working conditions. Use this and other tools with caution and respect. Failure to do so could result in serious personal injury, damage to equipment or poor work results.

SECTION 2: SETUP

Unpacking

Your Model H7826 left our warehouse in a carefully packed box. If you discover the nailer is damaged after you have signed for delivery, *please immediately call Customer Service at (570) 546-9663 for advice.*

Save the containers and all packing materials for possible inspection by the carrier or its agent. *Otherwise, filing a freight claim can be difficult.*

When you are completely satisfied with the condition of the shipment, you should inventory the equipment.

Inventory

After you open the nailer box, you should find the following.

Model H7826 Inventory (Figure 1)

A.	Flooring Nailer.....	1
B.	Safety Goggles	1
C.	Oil.....	1
D.	Base Plate.....	1
E.	Hammer	1
F.	Hex Wrench 4mm	1
G.	Hex Wrench 5mm	1

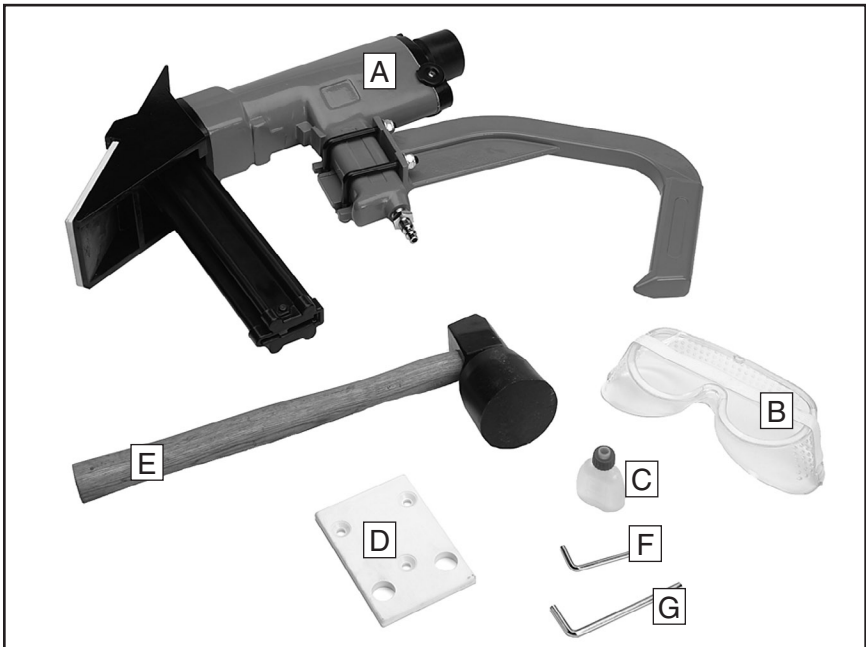


Figure 1. Model H7826 inventory.

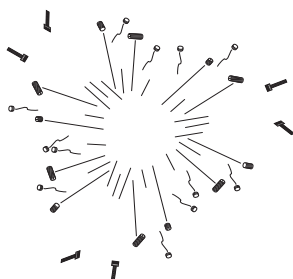
Compressed Air System

The Model H7826 is designed to be operated at 70-110 PSI using clean, dry, regulated, compressed air. **DO NOT exceed the 120 PSI maximum operating pressure for your model.** Before using, regulate the air pressure on your air compressor to 70 psi.

An in-line filter/lubricator/regulator unit, depicted in **Figure 2**, can be installed and should be located as close to the nailer as possible.

The filter/lubricator/regulator unit will protect your tool from damaging water build-up, allow you to adjust and maintain constant air pressure to your tool, and save you the inconvenience of having to manually lubricate your tool every time you use it.

⚠ WARNING



Exceeding the maximum permissible operating pressure may cause the nailer to explode, blowing metal fragments in all directions. To protect yourself from serious personal injury, DO NOT allow your air compressor to exceed the recommended pressure when connected to this nailer!

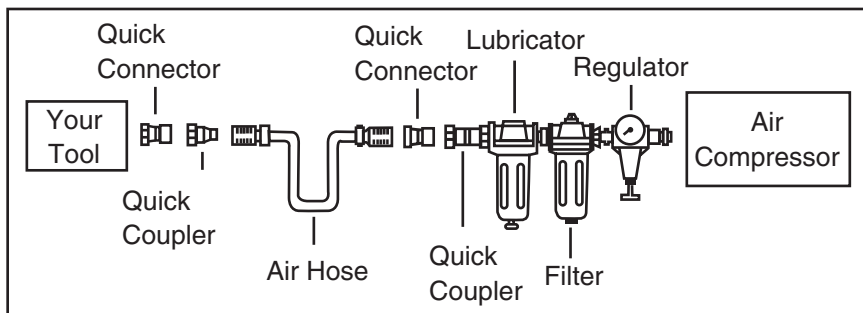


Figure 2. Typical filter/lubricator/regulator installation order.

Check the current Grizzly catalog for availability of this unit. If you plan on installing a filter/lubricator/regulator unit in your compressed air system, always follow the connection instructions that come with the unit.

Firing Mechanism

The nailer should not fire when connected to the air supply unless it is fired by hitting the "whack cap" with the mallet. If the firing mechanism is not working properly, the nailer could fire immediately when connected to the air supply.

Before you load your nailer for the first time, check the firing mechanism to ensure safe use.

To check the firing mechanism:

1. **Make sure the nailer is disconnected from the air supply!**
2. Make sure the magazine is empty and contains no nails.
3. Place the flooring nailer on the ground with the nail aperture facing down, then connect the air hose. The nailer should not fire.
 - If it **does not** fire, read **step 4**.
 - If the nailer **does** fire, immediately disconnect the nailer from the air supply and call (570) 546-9663 for technical support.
4. Place the base of the nailer on a scrap piece of wood that is clean and free of any knots, nails, or other foreign objects.
5. Hit the whack cap with the mallet using moderate force. The nailer should fire.
 - If it **does** fire, then the firing mechanism is working properly. Continue to the next section.
 - If the **does not** fire, then the firing mechanism may not be working correctly or may need service. Disconnect the nailer from the air supply and please call (570) 546-9663 for technical support.

NOTICE

Continually firing the nailer when empty will cause internal damage. Only fire the empty nailer once or twice to ensure it is functioning properly.

WARNING

Point the nailer at the ground when connecting to the air supply. DO NOT aim in the direction of another person or a body part.

SECTION 3: OPERATIONS

Oiling Nailer

Pneumatic oil has been included with this Grizzly nailer to help maintain its useful life. Place several drops of oil in the nailer air inlet (as shown in **Figure 3**) before every use and several times a day if used continuously. Wipe off any excess oil near the nailer exhaust to avoid dust build-up. When the oil that was included with the nailer has been completely used, replace with Grizzly Model G2820 Pneumatic Tool Oil.

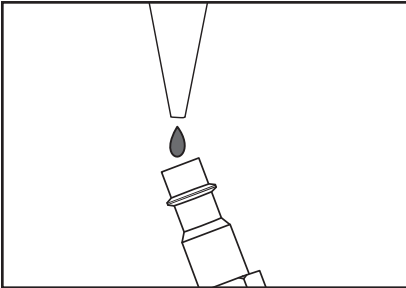


Figure 3. Lubricating nailer via air inlet.

Another option to manual oiling would be to install a lubricator, or a filter/lubricator/regulator unit, in your air compressor line. If your air compressor line already has a lubricator, then regular lubrication of your nailer will not be necessary. Just make sure there is always pneumatic tool oil in the lubricator.

Loading Nailer

When replacing nails in your Model H7826, follow these guidelines:

Nails: L-shaped cleat nails
Length: 1½"-2"
Capacity: 100

Note: Use 1½" nails to install ½" flooring.
Use 2" nails to install ¾" flooring.

To load your nailer:

1. DISCONNECT NAILER FROM THE AIR SUPPLY!
2. Slide a strip of nails, pointed-end down, into the magazine as shown in **Figure 4**.

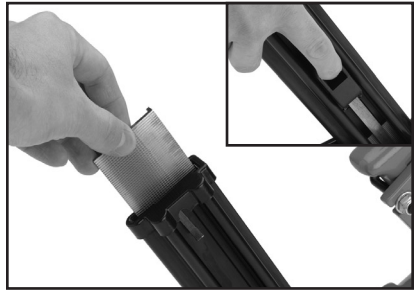


Figure 4. Loading nails into nailer.

3. Push the button inside the pusher (inset photo in **Figure 4**), pull the pusher all the way back, then allow the pusher to slide forward against the nail strip.

Operating Nailer

Read the safety instructions in this manual before operating the nailer.

Before you operate your nailer, place several drops of the included oil into the quick connect fitting where the nailer connects to the air supply.

The Model H7826 comes with two base plates of different thicknesses. The thinnest base plate is for use with $\frac{3}{4}$ " flooring, and the thickest base plate is for use with $\frac{1}{2}$ " flooring.

To operate your nailer:

1. Install the correct base plate for your size of flooring material.
2. Place the flooring nailer on the ground with the nail aperture facing down, then connect the air supply to the quick connect fitting.
3. Position a flooring strip and tap it into place with the metal side of the hammer. DO NOT use the nailer to position the flooring strips.

Note: Test the nailer on a sample flooring strip when installing pre finished flooring to make sure the nailer does not damage the finish. Replace the base plate if it is damaged and marring the flooring finish.

4. Place the nailer with the guide plate on the flooring as shown in **Figure 5**, making sure the cleat on the bottom of the nailer is lined up with the edge of the groove in the flooring.

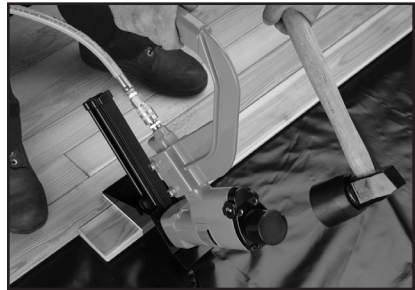
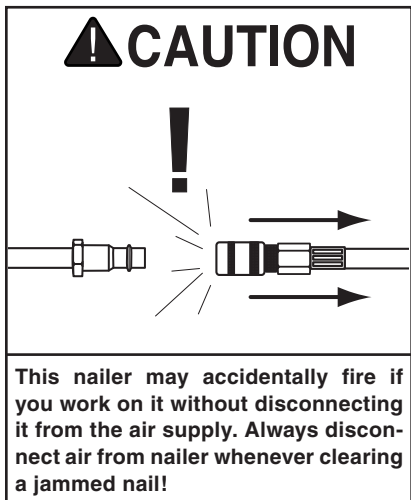


Figure 5. Operating nailer.

5. Using the **rubber** end of the included hammer, hit the whack cap with light/medium force to shoot a nail into the wood. DO NOT use multiple strikes to force the nail into the wood. This will cause a jam or a ricochet, and possible injury.
6. Check the nail for proper depth and placement.
 - If the depth is satisfactory, then proceed with your project.
 - If the depth is **too shallow**, then slightly **increase** the air pressure and repeat **Steps 3–5**.
 - If the depth is **too deep**, then slightly **decrease** the air pressure and repeat **Steps 3–5**.

Note: Nailing depth is not always consistent due to variations in the flooring material. Sometimes it will be necessary to tap a few nails flush with a hammer and a nail punch.

Clearing Jammed Nails



A jammed nail must be cleared before using the nailer again.

To clear a jammed nail from the discharge area:

1. DISCONNECT NAILER FROM THE AIR SUPPLY!
2. Pull the magazine loader all the way back and remove the nail stick.
3. The jammed nail should now be visible; use needle nose pliers to remove it from the discharge area.
 - If the nail cannot be removed, continue to **Step 4**.
 - Continue to **Step 6**, when the jammed nail is removed.

4. Remove the cap screws shown in **Figure 6** that secure the magazine.

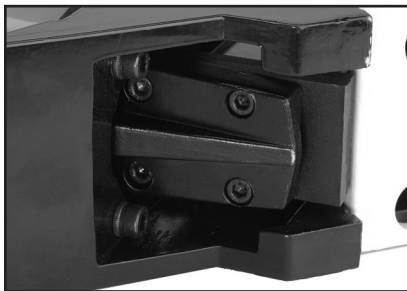


Figure 6. Cap screws securing the magazine.

5. Remove the jammed nail (**Figure 7**) with a pair of needle nose pliers, then replace the magazine.



Figure 7. Jammed nail in discharge area.

6. Load a new nail stick that only contains clean, undamaged nails. DO NOT use dirty or damaged nails!

SECTION 4: MAINTENANCE

Cleaning

DISCONNECT THE AIR SUPPLY! Use a good solvent to clean the nose assembly of the nailer. Always be sure that the nailer is dry before using it again.

Do not allow dust, chips, sand, etc. into the air connectors or into the body of the nailer; this may result in leaks and damage to the nailer and the air couplings.

WARNING



Never use gasoline or other flammable liquids to clean this tool. Vapors in the tool may ignite, causing the tool to explode. Ignoring this warning may lead to serious personal injury or even death!

Replacing Pistons/O-Rings

If you use your nailer day in and day out, repair pistons are cheap insurance against wasted down time and lost profits, in the event that a piston or piston shaft becomes worn out. Refer to the break-down diagram in the back of the manual for part numbers and ordering information.

WARNING

Disconnect air from nailer whenever servicing! During maintenance, a nailer connected to air may fire accidentally, causing serious personal injury!

To replace a piston:

1. DISCONNECT NAILER FROM THE AIR SUPPLY!
2. Remove all nails from the magazine cartridge and remove the base plate.
3. Remove the cap screws shown in **Figure 8** that secure the base.

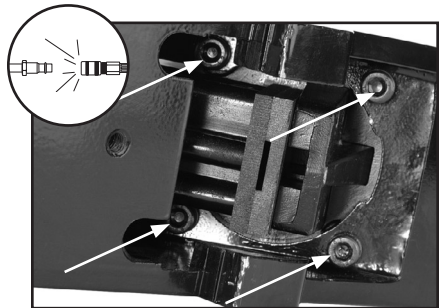


Figure 8. Removing the base.

- Carefully slide the base off of the driver and remove the large washer and rubber bumper (see **Figure 9**).

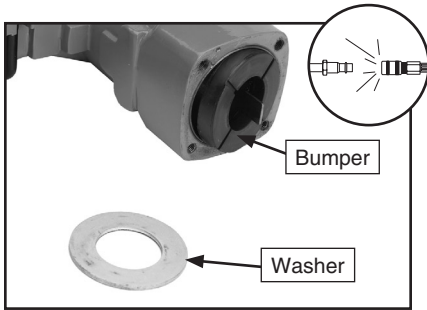


Figure 9. Bumper and washer.

- Use a flat head screwdriver to pry off the whack cap shown in **Figure 10**.

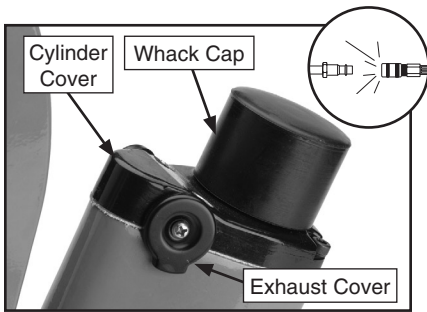


Figure 10. Removing the whack cap.

- Loosen the exhaust covers and remove the cap screws from the cylinder cover. Slide the cylinder cover off of the plunger.

- Unscrew the cap screws and remove the plunger (see **Figure 11**).

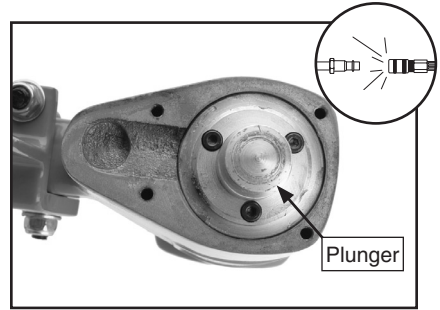


Figure 11. Removing the plunger.

- Grab onto the driver and pull the piston assembly out from the bottom.
- Unscrew the piston and driver from the piston assembly (see **Figure 12**).

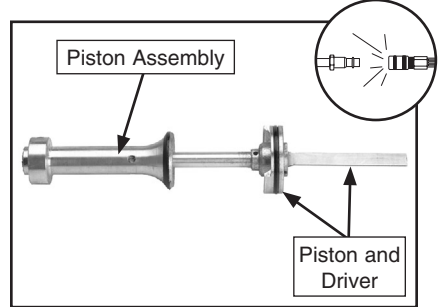


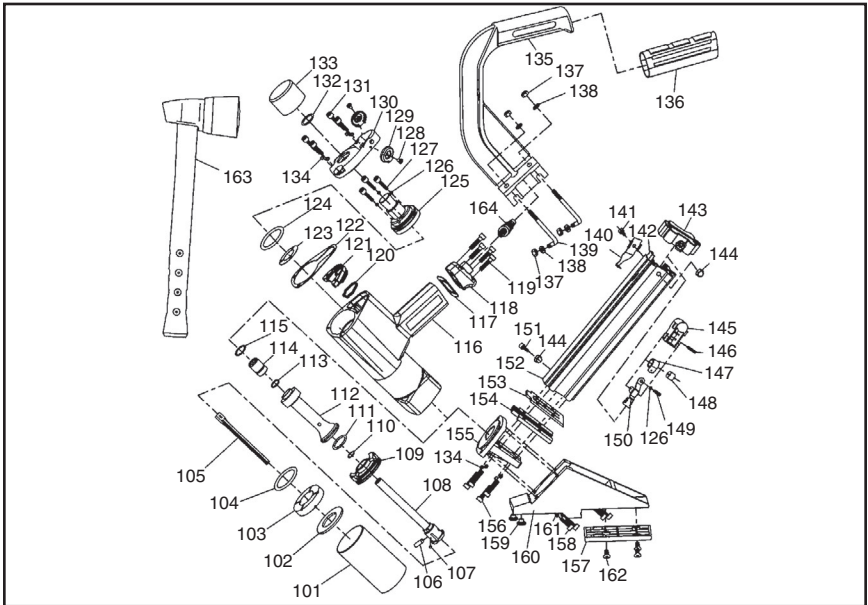
Figure 12. Piston and driver.

- Apply a thin film of nailer lubricating oil on the O-rings, then place the new O-rings on the piston and the plunger.
- Re-assemble the nailer in reverse order.

Troubleshooting

Symptom	Possible Cause	Solution
Air leaking at whack cap area.	<ol style="list-style-type: none"> Damaged seal. O-rings on the plunger are damaged. 	<ol style="list-style-type: none"> Replace damaged seal. O-rings must be replaced.
Air leaking between body and hose.	<ol style="list-style-type: none"> Loose air fitting. 	<ol style="list-style-type: none"> Tighten air fitting & use teflon tape.
Air leaking around driver.	<ol style="list-style-type: none"> Damaged O-ring on the piston. Worn bumper. 	<ol style="list-style-type: none"> Replace O-ring. Replace bumper.
Nailer does not fire.	<ol style="list-style-type: none"> Nail is jammed in magazine or discharge area. Air pressure too low. Lack of lubrication. Worn or damaged O-rings. Piston shaft is damaged. 	<ol style="list-style-type: none"> Clear magazine or discharge area. Check for blockage/increase air pressure. Place several drops of oil in the air inlet. Replace O-rings. Make sure air pressure does not exceed the maximum operating pressure. Replace piston shaft.
Tool runs slowly or has a loss of power.	<ol style="list-style-type: none"> Air pressure too low. Insufficient lubrication. Dirt and oil buildup on driver. Exhaust port in cap is blocked. Worn or damaged O-rings. 	<ol style="list-style-type: none"> Check for blockage/increase air pressure. Lubricate nailer. Disassemble and clean driver. Clean exhaust port. Replace O-rings.
Tool skips nails while discharging.	<ol style="list-style-type: none"> Air leaks. Insufficient lubrication. Dirt in nose. Dirt or damage prevents nails from moving in magazine. Inadequate air flow to tool. Worn or damaged O-rings. Worn bumper. Damaged pusher spring. Bent, damaged, dirty, or wrong size nails. Damaged driver. 	<ol style="list-style-type: none"> See above. Lubricate nailer. Clean nose. Clean magazine and inspect/repair damage. Check for blockage/increase air pressure. Replace O-rings. Replace bumper. Replace pusher spring. Use undamaged, correct size, nails. Replace driver.
Fasteners frequently jam the nailer.	<ol style="list-style-type: none"> Bent, damaged, dirty, or wrong size nails. Magazine screws are loose. Driver or driver guide are worn or damaged. 	<ol style="list-style-type: none"> Use undamaged, correct size, nails. Tighten magazine. Replace worn or damaged parts.

Parts



REF PART # DESCRIPTION

101	PH7826101	CYLINDER
102	PH7826102	HEAD GASKET
103	PH7826103	BUMPER
104	PH7826104	O-RING 50 X 3.55
105	PH7826105	DRIVER
106	PRP07M	ROLL PIN 6 X 20
107	PSS31M	SET SCREW M5-.8 X 8
108	PH7826108	PISTON POLE
109	PH7826109	COMPRESSION SPRING
110	PH7826110	O-RING 12.8 X 2.5
111	PH7826111	O-RING 32 X 4.5
112	PH7826112	SEALING SLEEVE
113	PH7826113	O-RING 12.8 X 1.8
114	PH7826114	SEALING CAP
115	PH7826115	O-RING 15.6 X 1.8
116	PH7826116	GUN BODY
117	PH7826117	WASHER
118	PH7826118	END CAP
119	PSB39M	CAP SCREW M4-.7 X 20
120	PH7826120	BODY SEALING RING
121	PH7826121	BODY SEALING WASHER
122	PH7826122	CYLINDER GASKET
123	PH7826123	SLEEVE GASKET
124	PH7826124	O-RING 46.2 X 3.55
125	PH7826125	PISTON SEAT
126	PLW02M	LOCK WASHER 4MM
127	PSB16M	CAP SCREW M4-.7 X 16
128	PS56M	PHLP HD SCR M4-.7 X 16
129	PH7826129	EXHAUST COVER
130	PH7826130	CYLINDER COVER
131	PSB53M	CAP SCREW M5-.8 X 18
132	PH7826132	O-RING 25 X 3.55

REF PART # DESCRIPTION

133	PH7826133	WHACK CAP
134	PW02M	FLAT WASHER 5MM
135	PH7826135	BRACE
136	PH7826136	RUBBER BRACE CASE
137	PLN04M	LOCK NUT M8-1.25
138	PW01M	FLAT WASHER 8MM
139	PH7826139	L-BOLT
140	PH7826140	STOPPER
141	PS38M	PHLP HD SCR M4-.7 X 10
142	PH7826142	MAGAZINE SEAT
143	PH7826143	MAGAZINE END CAP
144	PLN01M	LOCK NUT M4-.7
145	PH7826145	PUSHER SEAT
146	PRP42M	ROLL PIN 3 X 20
147	PH7826147	FLAT COIL SPRING
148	PH7826148	SPRING BUSHING
149	PH7826149	COMPRESSION SPRING
150	PH7826150	PUSHER
151	PS07M	PHLP HD SCR M4-.7 X 8
152	PH7826152	MAGAZINE
153	PH7826153	NAIL HEAD
154	PH7826154	NAIL HEAD COVER BOARD
155	PH7826155	CYLINDER HEAD SEAT
156	PSB95M	CAP SCREW M5-.8 X 30
157	PH7826157	BASE PLATE
158	PSB95M	CAP SCREW M5-.8 X 30
159	PH7826159	RUBBER BOTTOM
160	PH7826160	BASE
161	PH7826161	WASHER
162	PFH03M	FLAT HD SCR M6-1 X 40
163	PH7826163	MALLET
164	PH7826164	1/4" NPT AIR PLUG

WARRANTY AND RETURNS

Grizzly Industrial, Inc. warrants every product it sells for a period of **1 year** to the original purchaser from the date of purchase. This warranty does not apply to defects due directly or indirectly to misuse, abuse, negligence, accidents, repairs or alterations or lack of maintenance. This is Grizzly's sole written warranty and any and all warranties that may be implied by law, including any merchantability or fitness, for any particular purpose, are hereby limited to the duration of this written warranty. We do not warrant or represent that the merchandise complies with the provisions of any law or acts unless the manufacturer so warrants. In no event shall Grizzly's liability under this warranty exceed the purchase price paid for the product and any legal actions brought against Grizzly shall be tried in the State of Washington, County of Whatcom.

We shall in no event be liable for death, injuries to persons or property or for incidental, contingent, special, or consequential damages arising from the use of our products.

To take advantage of this warranty, contact us by mail or phone and give us all the details. We will then issue you a "Return Authorization Number," which must be clearly posted on the outside as well as the inside of the carton. We will not accept any item back without this number. Proof of purchase must accompany the merchandise.

The manufacturers reserve the right to change specifications at any time because they constantly strive to achieve better quality equipment. We make every effort to ensure that our products meet high quality and durability standards and we hope you never need to use this warranty.

Please feel free to write or call us if you have any questions about the machine or the manual.

Grizzly Industrial, Inc.
1203 Lycoming Mall Circle
Muncy, PA 17756
Phone: (570) 546-9663
Fax: (800) 438-5901

E-Mail:
techsupport@grizzly.com

Web Site: <http://www.grizzly.com>

Thank you again for your business and continued support. We hope to serve you again soon!



WARRANTY CARD

Name _____

Street _____

City _____ State _____ Zip _____

Phone # _____ Email _____ Invoice # _____

Model # _____ Order # _____ Serial # _____

*The following information is given on a voluntary basis. It will be used for marketing purposes to help us develop better products and services. **All information is strictly confidential.***

1. How did you learn about us?

Advertisement Friend Catalog
 Card Deck Website Other: _____

2. Which of the following magazines do you subscribe to?

Cabinet Maker Popular Mechanics Today's Homeowner
 Family Handyman Popular Science Wood
 Hand Loader Popular Woodworking Wooden Boat
 Handy Practical Homeowner Woodshop News
 Home Shop Machinist Precision Shooter Woodsmith
 Journal of Light Cont. Projects in Metal Woodwork
 Live Steam RC Modeler Woodworker West
 Model Airplane News Rifle Woodworker's Journal
 Modeltec Shop Notes Other:
 Old House Journal Shotgun News

3. What is your annual household income?

\$20,000-\$29,000 \$30,000-\$39,000 \$40,000-\$49,000
 \$50,000-\$59,000 \$60,000-\$69,000 \$70,000+

4. What is your age group?

20-29 30-39 40-49
 50-59 60-69 70+

5. How long have you been a woodworker/metalworker?

0-2 Years 2-8 Years 8-20 Years 20+ Years

6. How many of your machines or tools are Grizzly?

0-2 3-5 6-9 10+

7. Do you think your machine represents a good value? Yes No

8. Would you recommend Grizzly Industrial to a friend? Yes No

9. Would you allow us to use your name as a reference for our customers in your area?

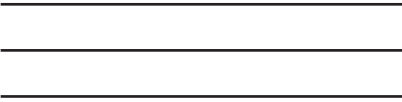
Note: *We never use names more than 3 times.* Yes No

10. Comments: _____

Send a Grizzly Catalog to a friend:

Name _____
Street _____
City _____ State _____ Zip _____

FOLD ALONG DOTTED LINE



Place
Stamp
Here



GRIZZLY INDUSTRIAL, INC.
P.O. BOX 2069
BELLINGHAM, WA 98227-2069



TAPE ALONG EDGES--PLEASE DO NOT NAIL

Free Manuals Download Website

<http://myh66.com>

<http://usermanuals.us>

<http://www.somanuals.com>

<http://www.4manuals.cc>

<http://www.manual-lib.com>

<http://www.404manual.com>

<http://www.luxmanual.com>

<http://aubethermostatmanual.com>

Golf course search by state

<http://golfingnear.com>

Email search by domain

<http://emailbydomain.com>

Auto manuals search

<http://auto.somanuals.com>

TV manuals search

<http://tv.somanuals.com>