



MODEL H7725 84" EURO STYLE WORKBENCH-BIRCH INSTRUCTIONS

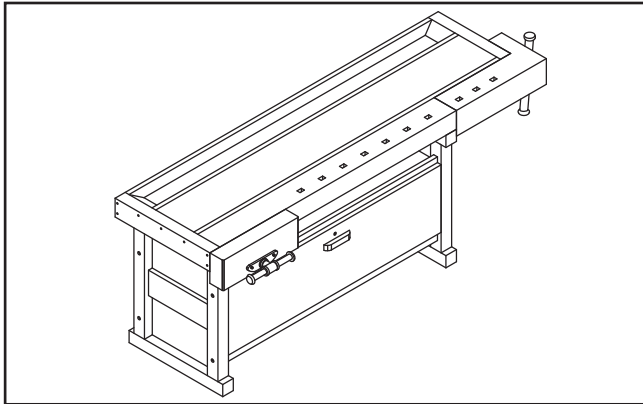


Figure 1. Model H7725 Birch Workbench.

Specifications

Finish	Lacquer Sealed
Table Thickness	4"
Front Vise Size	19 ³ / ₄ " x 7"
End Vise Size	6" x 6"
Overall Size	84 ¹ / ₂ "W x 24 ¹¹ / ₁₆ "D x 34 ¹ / ₄ "H
Tilt-Out Drawer Size	53 ¹ / ₂ "W x 19"D x 14"H
Storage Shelf Size	55 ¹ / ₂ "W x 18 ¹ / ₂ "D
Shipping Weight	332 lbs.

Safety & Limitations

- Maximum workbench table load is 500 lbs.
- Do not stand or climb on the workbench.
- Do not apply an unbalanced load on the table that could result in the workbench tipping over.
- Keep unsupervised children away from the workbench.
- Do not stand or climb on the workbench.
- Do not use workbench outdoors or in wet or damp locations.
- Do not overload the vises or use cheater pipes on the vise handles to increase leverage.
- Do not weld on this bench.

Assembly

Refer to the last page of these instructions to inventory your shipment for ease of assembly.

To assemble the workbench:

1. Insert eight (E5) barrel nuts into panels (LF & LB), and assemble the drawer with eight (E1) screws in the orientation shown in **Figure 2**.

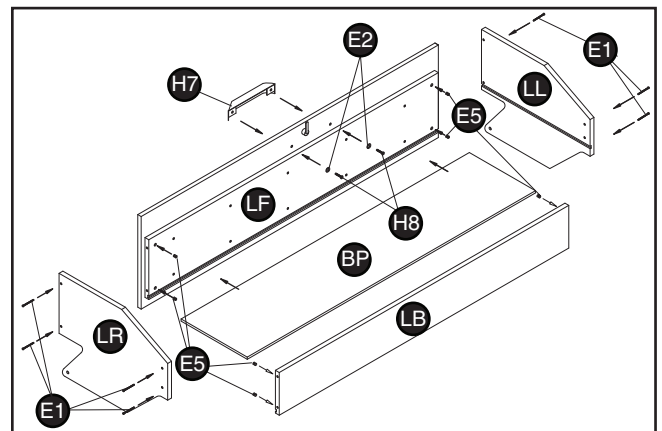


Figure 2. Tilt-drawer assembly.

2. Position the right side leg (B) on the floor so the FRONT arrow points to the front and install two barrel nuts (E4) into cross brace (D & E) as shown in **Figure 3**.

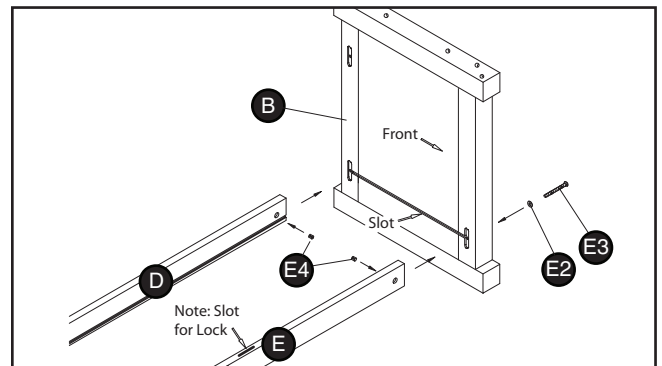


Figure 3. Right leg and cross brace installation.

COPYRIGHT © JULY 2009 BY GRIZZLY INDUSTRIAL, INC.

WARNING: NO PORTION OF THIS MANUAL MAY BE REPRODUCED IN ANY SHAPE OR FORM WITHOUT THE WRITTEN APPROVAL OF GRIZZLY INDUSTRIAL, INC.
(FOR MODELS MANUFACTURED SINCE 7/09) #CR12019 PRINTED IN CHINA

3. Insert the two lower cross braces (D & E) into the slots in the right leg (B).
4. Use a 5mm hex wrench to secure the cross braces to the leg with two (E2) flat washers and two (E3) barrel bolts, but do not fully tighten at this time.
5. Slide the lower panel (F) into the slots of the two cross braces, and then into the slot in the right leg (B) (**Figure 4**).

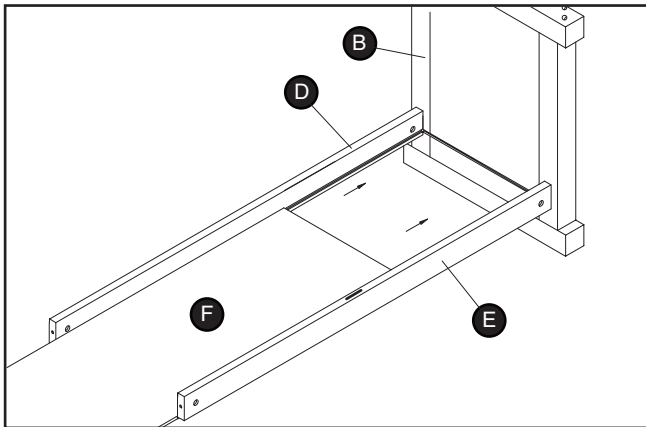


Figure 4. Lower panel installation.

6. Position the left side leg (C) on the floor and install the remaining (E4) barrel nuts into cross braces (D, E, & I) (**Figure 5**), and install cross brace (I) into the right leg.
7. Connect the left leg to cross braces (D, E, & I), and use a 5mm hex wrench to secure the braces to the leg with three (E2) flat washers, and three (E3) barrel bolts, but do not fully tighten at this time.

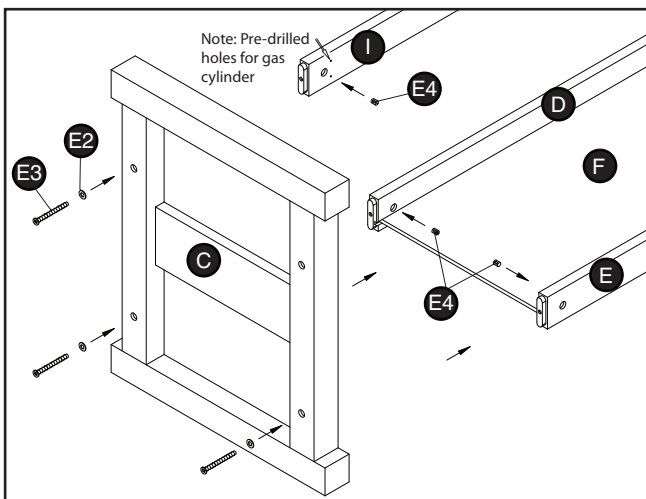


Figure 5. Left leg installation.

8. Invert the tilt-drawer and install it between the left and right legs as shown in **Figure 6** with the (E9) screws, (E2) flat washers, and the (H2) brass tube.

Note: To prevent the sides of the tilt-drawer from rubbing on the legs of the workbench when opened and closed, do not tighten the (E9) screw completely. Stop tightening it when the drawer side and leg have approximately 3mm of clearance between each other.

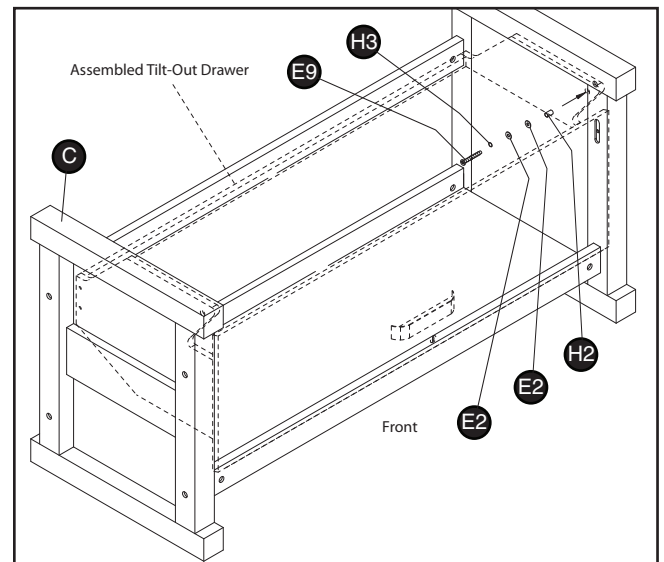


Figure 6. Tilt-drawer installation.

9. With the tilt-drawer in position as shown in **Figure 6**, install two (E4) barrel nuts in the remaining cross support (H), and secure it in place (**Figure 7**) between the legs with the remaining (E3) screws and (E2) washers.

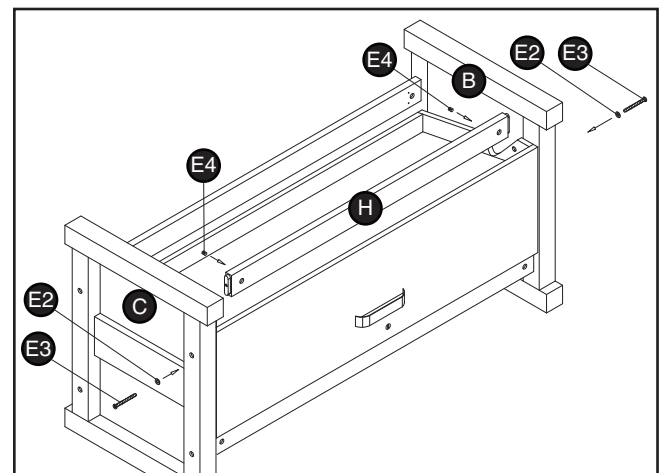


Figure 7. Final cross support installation.



10. At this time tighten all of the (E3) barrel bolts except the (E9) barrel bolts used as the tilting-drawer hinge pins.
11. With the help of an assistant, return the workbench to the upright position, and lower the table top (A) onto the legs making sure to line up the pre-drilled holes in the legs and the underside of the workbench.
12. Working from the underside of the table legs, insert four (E8) screws and (E2) washers into the holes, and use the 4mm hex wrench to tighten the screws.
13. Insert the guide rods and leadscrew through the holes in the wood block (G) (**Figure 8**). Thread the leadscrew into the vise support until the wood block is slightly snug against the table and flush with the table top.

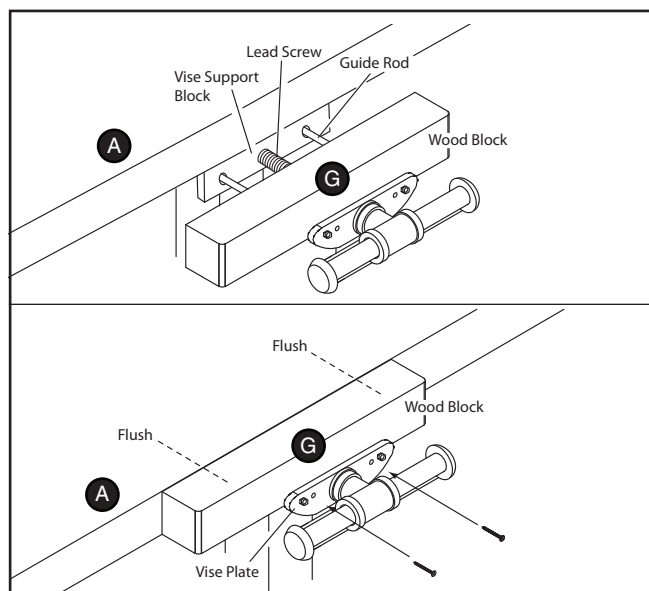


Figure 8. Table vise installation.

14. Keeping the wood block flush with the table top (**Figure 8**), drill two $\frac{5}{64}$ " holes $1\frac{7}{16}$ " deep through the vise plate mounting holes and into the wood block.
15. Secure the vise plate to the wood block with two (H1) #5 x $1\frac{7}{16}$ " wood screws (**Figure 8**).
16. Under the table, place a cotter pin in the end of the leadscrew, bending only one cotter pin leg to a 90 degree angle.

17. Insert the tail vise wood block into the vise support block (**Figure 9**). Insert the tail vise leadscrew through the holes in the wood block and the vise support block at the edge of the table.

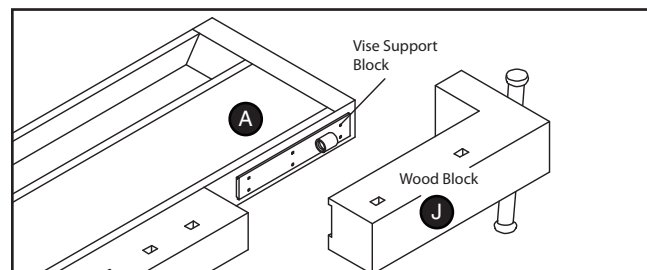


Figure 9. Tail vise installation.

18. Turn the tail vise handle clockwise until the wood block just touches the table, and attach the vise plate as outlined in **Steps 15 & 16**.
19. Find the gas spring pins at the drawer underside, and install the gas springs (H5) with the two (H6) screws for each spring (**Figure 10**).

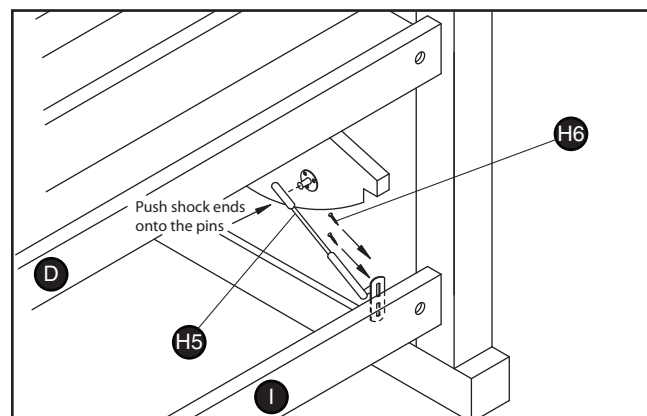
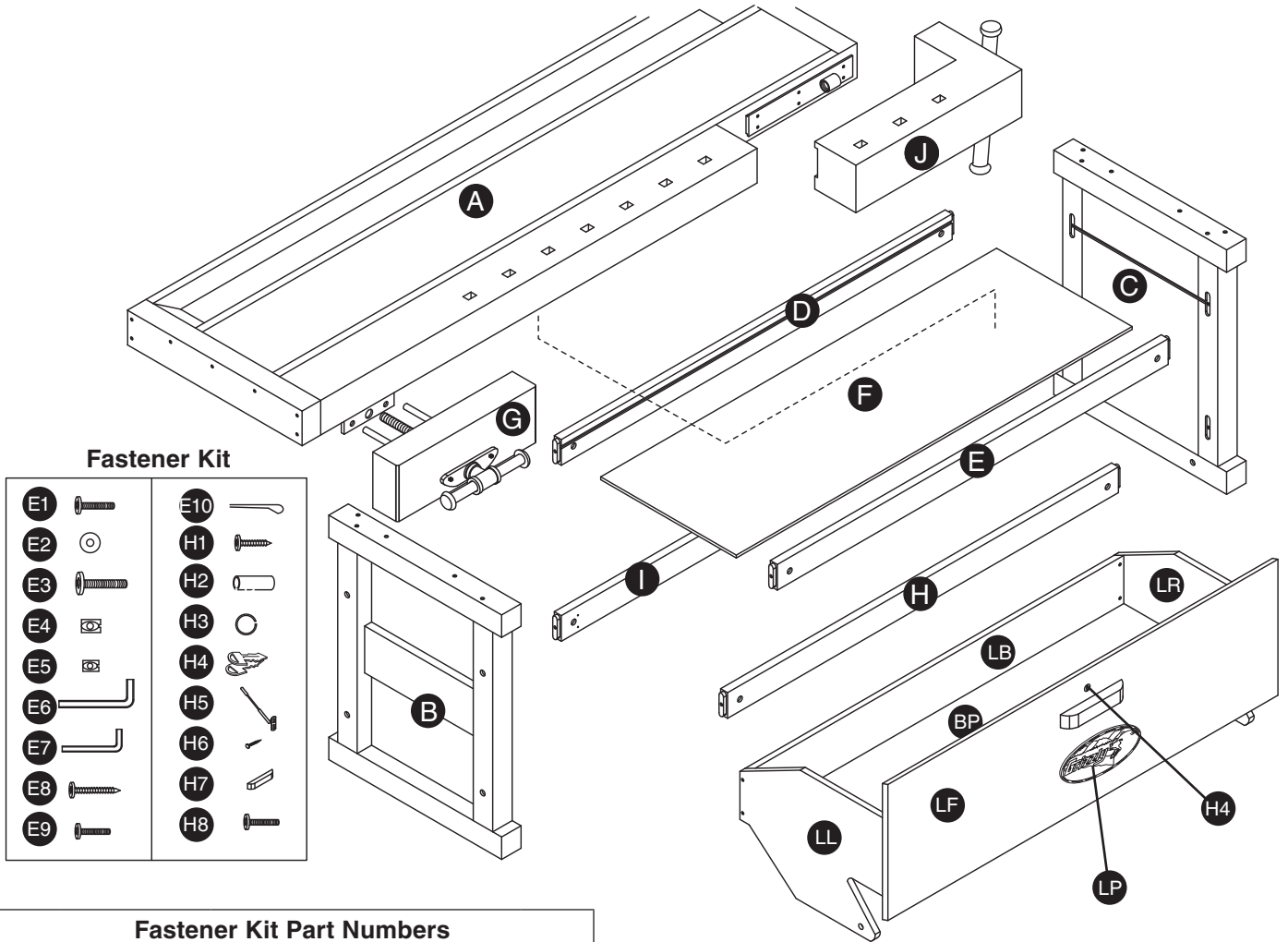


Figure 10. Gas spring installation.

Parts Breakdown and List



Fastener Kit Part Numbers

REF	PART	DESCRIPTION	QTY
E1	PH7725018	BARREL BOLT 2"	8
E2	PH7725006	FLAT WASHER	18
E3	PH7725024	BARREL BOLT 3 1/2"	8
E4	PH7725025	LARGE BARREL NUT	8
E5	PH7725019	SMALL BARREL NUT	8
E6	PAW05M	HEX WRENCH 5MM	1
E7	PAW04M	HEX WRENCH 4MM	1
E8	PH7725031	WOOD SCREW 2"	4
E9	PH7725014	SPECIAL SCREW 1 1/2"	2
E10	PH7725032	COTTER PIN	2
H1	PH7725043	WOOD SCREW #5 x 1 1/16"	4
H2	PH7725016	BRASS TUBE	2
H3	PH7725015	LOCK WASHER	2
H4	PH7725020	KEY/LOCK SET	2
H5	PH7725010	GAS SPRING	2
H6	PH7725011	FLAT HD SCREW	4
H7	PH7725008	DRAWER PULL HANDLE	1
H8	PH7725009	SPECIAL SCREW 1"	2

REF	PART	DESCRIPTION	QTY
A	PH7725001	TABLE TOP	1
B	PH7725033	LEFT LEG	1
C	PH7725002	RIGHT LEG	1
D	PH7725026	TOP BACK CROSS BRACE	1
E	PH7725034	TOP FRONT CROSS BRACE	1
F	PH7725040	CABINET TOP PANEL	1
G	PH7725028	FRONT VISE	1
H	PH7725029	LWR FRONT CROSS BRACE	1
I	PH7725027	LWR BACK CROSS BRACE	1
J	PH7725036	TAIL VISE	1
LF	PH7725023	DRAWER FACE	1
LB	PH7725037	DRAWER BACK PANEL	1
LR	PH7725039	DRAWER RIGHT SIDE PANEL	1
LL	PH7725038	DRAWER LEFT SIDE PANEL	1
BP	PH7725035	BOTTOM DRAWER PANEL	1
LP	G8589	GRIZZLY LOGO PLATE	1



Free Manuals Download Website

<http://myh66.com>

<http://usermanuals.us>

<http://www.somanuals.com>

<http://www.4manuals.cc>

<http://www.manual-lib.com>

<http://www.404manual.com>

<http://www.luxmanual.com>

<http://aubethermostatmanual.com>

Golf course search by state

<http://golfingnear.com>

Email search by domain

<http://emailbydomain.com>

Auto manuals search

<http://auto.somanuals.com>

TV manuals search

<http://tv.somanuals.com>