

Grizzly **Industrial, Inc.**®

24" BANDSAW MODEL G7211/G7212 INSTRUCTION MANUAL



COPYRIGHT ©1992 BY GRIZZLY INDUSTRIAL, INC.

**WARNING: NO PORTION OF THIS MANUAL MAY BE REPRODUCED IN ANY SHAPE
OR FORM WITHOUT THE WRITTEN APPROVAL OF GRIZZLY INDUSTRIAL, INC.**

REVISED AUGUST, 2000 PRINTED IN TAIWAN

DISCONTINUED MACHINE MANUAL DISCLAIMER

THE INFORMATION IN THIS MANUAL REPRESENTS THE LAST CONFIGURATION OF THE MACHINE BEFORE IT WAS DISCONTINUED. MACHINE CONFIGURATIONS MAY HAVE CHANGED AS PRODUCT IMPROVEMENTS WERE INCORPORATED. IF YOU OWN AN EARLIER VERSION OF THE MACHINE, THIS MANUAL MAY NOT EXACTLY DEPICT YOUR MACHINE. CONTACT CUSTOMER SERVICE IF YOU HAVE ANY QUESTIONS ABOUT DIFFERENCES. PREVIOUS VERSIONS ARE NOT AVAILABLE ONLINE.

WARNING

Some dust created by power sanding, sawing, grinding, drilling, and other construction activities contains chemicals known to the State of California to cause cancer, birth defects or other reproductive harm. Some examples of these chemicals are:

- Lead from lead-based paints.
- Crystalline silica from bricks, cement, and other masonry products.
- Arsenic and chromium from chemically treated lumber.

Your risk from these exposures varies, depending on how often you do this type of work. To reduce your exposure to these chemicals: work in a well ventilated area, and work with approved safety equipment, such as those dust masks that are specially designed to filter out microscopic particles.

Table Of Contents


	PAGE
1. SAFETY	
SAFETY RULES FOR POWER TOOLS	2-3
ADDITIONAL SAFETY INSTRUCTIONS FOR BANDSAWS	4
2. CIRCUIT REQUIREMENTS	
220V OPERATION	5
EXTENSION CORDS	5
WIRING DIAGRAM	5
3-PHASE OPERATION	6
3. INTRODUCTION	
COMMENTARY	7
UNPACKING	8
PARTS INVENTORY	8
CLEAN UP	9
SITE CONSIDERATIONS	9
4. ASSEMBLY	
FENCE.....	10
5. ADJUSTMENTS	
TRACKING	11
TENSION.....	11
WHEEL ALIGNMENT	12
UPPER GUIDES	12-13
LOWER GUIDES.....	13
POSITIVE TABLE STOP.....	14
6. OPERATIONS	
PRE-RUN CHECK.....	15
BANDSAW BLADES	15
CHANGING BLADES	16
CHANGING SPEEDS	17
RIPPING	18
STACKED CUTS.....	18
CUTTING CURVES.....	19
RESAWING	19
7. MAINTENANCE	
TABLE	20
V-BELTS	20
LUBRICATION.....	21
MISCELLANEOUS	21
8. CLOSURE	22
MACHINE DATA	23
PARTS BREAKDOWN AND PARTS LISTS	24-27
WIRING DIAGRAMS	28-29
WARRANTY AND RETURNS	30

SECTION 1: SAFETY


WARNING

For Your Own Safety Read Instruction Manual Before Operating This Equipment

The purpose of safety symbols is to attract your attention to possible hazardous conditions. This manual uses a series of symbols and signal words which are intended to convey the level of importance of the safety messages. The progression of symbols is described below. Remember that safety messages by themselves do not eliminate danger and are not a substitute for proper accident prevention measures.

 **DANGER** Indicates an imminently hazardous situation which, if not avoided, **WILL** result in death or serious injury.

 **WARNING** Indicates a potentially hazardous situation which, if not avoided, **COULD** result in death or serious injury.

 **CAUTION** Indicates a potentially hazardous situation which, if not avoided, **MAY** result in minor or moderate injury. It may also be used to alert against unsafe practices.

NOTICE This symbol is used to alert the user to useful information about proper operation of the equipment.

WARNING

Safety Instructions For Power Tools

- 1. KEEP GUARDS IN PLACE** and in working order.
- 2. REMOVE ADJUSTING KEYS AND WRENCHES.** Form habit of checking to see that keys and adjusting wrenches are removed from tool before turning on.
- 3. KEEP WORK AREA CLEAN.** Cluttered areas and benches invite accidents.
- 4. DON'T USE IN DANGEROUS ENVIRONMENT.** Don't use power tools in damp or wet locations, or where any flammable or noxious fumes may exist. Keep work area well lighted.
- 5. KEEP CHILDREN AND VISITORS AWAY.** All children and visitors should be kept a safe distance from work area.
- 6. MAKE WORK SHOP CHILD PROOF** with padlocks, master switches, or by removing starter keys.
- 7. DON'T FORCE TOOL.** It will do the job better and safer at the rate for which it was designed.
- 8. USE RIGHT TOOL.** Don't force tool or attachment to do a job for which it was not designed.

WARNING

Safety Instructions For Power Tools

9. **USE PROPER EXTENSION CORD.** Make sure your extension cord is in good condition. Conductor size should be in accordance with the chart below. The amperage rating should be listed on the motor or tool nameplate. An undersized cord will cause a drop in line voltage resulting in loss of power and overheating. Your extension cord must also contain a ground wire and plug pin. Always repair or replace extension cords if they become damaged.

Minimum Gauge for Extension Cords

AMP RATING	LENGTH		
	25ft	50ft	100ft
0-6	18	16	16
7-10	18	16	14
11-12	16	16	14
13-16	14	12	12
17-20	12	12	10
21-30	10	10	No

10. **WEAR PROPER APPAREL.** Do not wear loose clothing, gloves, neckties, rings, bracelets, or other jewelry which may get caught in moving parts. Non-slip footwear is recommended. Wear protective hair covering to contain long hair.
11. **ALWAYS USE SAFETY GLASSES.** Also use face or dust mask if cutting operation is dusty. Everyday eyeglasses only have impact resistant lenses, they are NOT safety glasses.
12. **SECURE WORK.** Use clamps or a vise to hold work when practical. It's safer than using your hand and frees both hands to operate tool.
13. **DON'T OVERREACH.** Keep proper footing and balance at all times.
14. **MAINTAIN TOOLS WITH CARE.** Keep tools sharp and clean for best and safest performance. Follow instructions for lubricating and changing accessories.
15. **USE RECOMMENDED ACCESSORIES.** Consult the owner's manual for recommended accessories. The use of improper accessories may cause risk of injury.

16. **REDUCE THE RISK OF UNINTENTIONAL STARTING.** On machines with magnetic contact starting switches there is a risk of starting if the machine is bumped or jarred. Always disconnect from power source before adjusting or servicing. Make sure switch is in OFF position before reconnecting.

17. **MANY WOODWORKING TOOLS CAN "KICKBACK" THE WORKPIECE** toward the operator if not handled properly. Know what conditions can create "kickback" and know how to avoid them. Read the manual accompanying the machine thoroughly.

18. **CHECK DAMAGED PARTS.** Before further use of the tool, a guard or other part that is damaged should be carefully checked to determine that it will operate properly and perform its intended function. Check for alignment of moving parts, binding of moving parts, breakage of parts, mounting, and any other conditions that may affect its operation. A guard or other part that is damaged should be properly repaired or replaced.

19. **NEVER LEAVE TOOL RUNNING UNATTENDED. TURN POWER OFF.** Don't leave tool until it comes to a complete stop.

20. **NEVER OPERATE A MACHINE WHEN TIRED, OR UNDER THE INFLUENCE OF DRUGS OR ALCOHOL.** Full mental alertness is required at all times when running a machine.

CAUTION

No list of safety guidelines can be complete. Every shop environment is different. Always consider safety first, as it applies to your individual working conditions. Use this and other machinery with caution and respect. Failure to do so could result in serious personal injury, damage to equipment or poor work results.

WARNING

Additional Safety Instructions For Bandsaws

1. **DO NOT OPERATE WITH DULL OR BADLY WORN BLADES.** Dull blades require more effort to use and are difficult to control. Inspect blades before each use.
2. **NEVER POSITION FINGERS OR THUMBS IN LINE WITH THE CUT.** Serious personal injury could occur.
3. **DO NOT OPERATE THIS BANDSAW WITHOUT WHEEL, PULLEY, AND BLADE GUARDS IN PLACE.**
4. **WHEN REPLACING BLADES,** make sure teeth face down towards the table. The force of the cut is always down. Make sure the blade is properly tensioned.
5. **CUTS SHOULD ALWAYS BE FULLY SUPPORTED** by the table or some type of support fixture. Always support round stock in a V-block.
6. **DO NOT BACK WORKPIECE AWAY** from the blade while the saw is running. Plan your cuts so you always cut out of the wood. If you need to back the work out, turn the bandsaw off and wait for the blade to come to a complete stop. Do not twist or put excessive stress on the blade while backing work away.
7. **ALWAYS FEED STOCK EVENLY AND SMOOTHLY.** Do not force or twist blade while cutting, especially when sawing small radii.
8. **THIS MACHINE IS NOT DESIGNED TO CUT METAL** or other material except wood.
9. **BLADE SHOULD RUNNING AT FULL SPEED** before beginning a cut.
10. **DO NOT MANUALLY STOP OR SLOW BLADE** after turning the saw off. Use foot brake.
11. **ALL INSPECTIONS, ADJUSTMENTS, AND MAINTENANCE ARE TO BE DONE WITH THE POWER OFF** and the plug pulled from the outlet. Wait for all moving parts to come to a complete stop.
12. Habits – good and bad – are hard to break. Develop good habits in your shop and safety will become second-nature to you.

WARNING

Always wear ANSI-approved safety glasses or goggles and hearing protection when operating equipment — particularly when testing new tools or machinery. Do not allow visitors into your workshop when testing or operating equipment. Serious personal injury may occur.

CAUTION

No list of safety guidelines can be complete. Every shop environment is different. Always consider safety first, as it applies to your individual working conditions. Use this and other machinery with caution and respect. Failure to do so could result in serious personal injury, damage to equipment or poor work results.

SECTION 2: CIRCUIT REQUIREMENTS

220V Operation

The motor supplied with the G7211 comes prewired for 220V. Refer to the wiring diagram supplied at the back of this manual for more specific information about wiring connections. The G7212 is a 220V, three-phase motor and requires special electrical service. See section on three-phase operation on the next page.

This machine does not come supplied with a plug, therefore a suitable 220V plug must be wired in. When operating at 220V, we recommend using a NEMA-style 6L-15 plug and outlet. **See Figure 1.** You may also “hard-wire” the machine directly to your panel, provided you place a disconnect switch near the machine. Check the electrical codes in your area for specifics on wiring requirements.

Under normal use, the motor draws approximately 20 amps @ 220V. We recommend a 25 amp circuit breaker for 220V operation. This should be satisfactory for normal use while providing enough protection against motor damage caused by power surges.

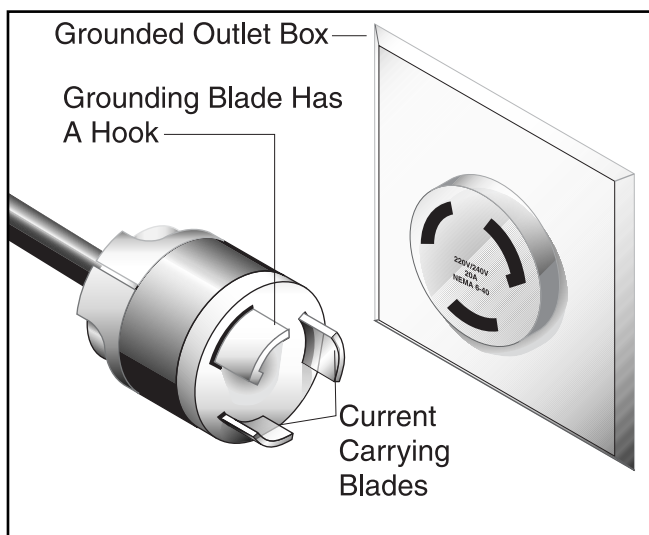


Figure 1. Typical 220V 3-prong plug and outlet.



Extension Cords

We do not recommend the use of extension cords on 220V equipment. It is much better to arrange the placement of your equipment and the installed wiring to eliminate the need for extension cords. Should it be necessary to use an extension, make sure the cord is rated Hard Service (Grade S) or better. Refer to the chart in Section 1: Safety Instructions to determine the minimum gauge for the extension cord. The extension cord must also contain a ground wire and plug pin. Always repair or replace extension cords when they become worn or damaged.



Wiring Diagram

Your G7211 machine comes pre-wired for 220 volt operation. A wiring diagram is provided at the back of this manual should it be necessary to repair or revise the wiring. Always utilize a qualified electrician when doing any electrical work on this equipment.



3-Phase Operation

Notes

The Model G7212 has a 7.5 H.P. motor configured to operate under three-phase electrical service. Generally this type of electrical supply is only found in commercial or industrial locations. Connection to three-phase service should only be done by a qualified electrician.

If you do not have three-phase service available a phase converter can be utilized in conjunction with a 220V single phase power supply. Refer to the Grizzly catalog for a complete range of phase converters.



CAUTION

We have covered some basic electrical requirements for the safe operation of your Bandsaw. These requirements are not necessarily comprehensive. You must be sure that your particular electrical configuration complies with local and state codes. Ensure compliance by checking with your local municipality or a licensed electrician.

SECTION 3: INTRODUCTION

Commentary

We are proud to offer the Models G7211/G7212 24" Bandsaws. These bandsaws are part of a growing Grizzly family of fine woodworking machinery. When used according to the guidelines set forth in this manual, you can expect years of trouble-free, enjoyable operation and proof of Grizzly's commitment to customer satisfaction.

The Models G7211/G7212 are woodcutting bandsaws with powerful 5 H.P. or 7.5 H.P. motors, cast iron fence, miter gauge, 4" dust port, foot brake and micro-adjustable ball-bearing guides. They feature an all steel construction frame and cast iron table. A complete range of blades with widths from 1/2" to 1 1/4" and various tooth styles are available in the current Grizzly catalog for prices and ordering information.

We are also pleased to provide this instructional manual with the Model G7211/G7212 24" Bandsaws. It was written to guide you through assembly, review safety considerations, and cover general operating procedures. It represents our effort to produce the best documentation possible. If you have any comments regarding this manual, please write to us at the address below:

Grizzly Industrial, Inc.
% Technical Documentation
P.O. Box 2069
Bellingham, WA 98227-2069

Most importantly, we stand behind our machines. If you have any service questions or parts requests, please notify us using one of the following contacts:

Grizzly Industrial, Inc.
1203 Lycoming Mall Circle
Muncy, PA 17756
Phone:(570) 546-9663
Fax:(800) 438-5901
E-Mail: techsupport@grizzly.com
Web Site: <http://www.grizzly.com>

The specifications, drawings, and photographs illustrated in this manual represent the Model G7211/G7212 as supplied when the manual was prepared. However, owing to Grizzly's policy of continuous improvement, changes may be made at any time with no obligation on the part of Grizzly. Whenever possible, though, we send manual updates to all owners of a particular tool or machine. Should you receive one, we urge you to insert the new information with the old and keep it for reference.

WARNING

To operate this or any power tool safely and efficiently, it is essential to become as familiar with it as possible. The time you invest before you begin to use your Model G7211/G7212 will be time well spent. DO NOT operate this machine until you are completely familiar with the contents of this manual. Serious personal injury may occur.



Unpacking

The bandsaw is shipped from the factory in a carefully packed carton. If you find the machine to be damaged after you've signed for delivery and the truck and driver are already gone, you will need to file a freight claim with the carrier. Save the containers and all packing materials for inspection by the carrier or their agent. Without the packing materials, filing a freight claim can be difficult. If you need advice regarding this situation, please call us immediately.

When you are completely satisfied with the condition of your shipment, you should inventory its parts.

WARNING

The G7211/G7212 is a very heavy machine with a shipping weight of 725 lbs. **DO NOT over-exert yourself while unpacking or moving your machine – get assistance.** In the event that your bandsaw must be moved up or down a flight of stairs, be sure that the stairs are capable of supporting the combined weight of people and the machine. Serious personal injury may occur.

NOTICE

Save all containers and packing materials until you are satisfied that your bandsaw has arrived in good condition. Freight company adjusters will want to inspect those materials in the event that a freight claim must be made.



Parts Inventory

Take a quick inventory of the parts and put them aside for assembly later. After all the parts have been removed from the container, you should have:

- **Bandsaw Assembly**
- **Fence Assembly**
- **Miter Gauge**
- **Hardware**
 - Cap Screws $5/16"$ - 18 x $2\frac{1}{2}"$ 2
 - Fence Rail Spacers 2
 - Fence Rail 1

In the event that any non-proprietary parts are missing (e.g. a bolt, nut or a washer), we would be glad to replace them, or, for the sake of expediency, replacements can be obtained at your local hardware store.



Clean Up

The unpainted surfaces are coated with a waxy oil to protect it from corrosion during shipment. Remove this protective coating with a solvent cleaner or citrus-based degreaser such as Grizzly's G7895 Degreaser. Avoid chlorine-based solvents as they may damage painted surfaces should they come in contact. Always follow the usage instructions on the product you choose for clean up.

WARNING

Many of the solvents commonly used to clean machinery can be highly flammable, and toxic when inhaled or ingested. Always work in well-ventilated areas far from potential ignition sources when dealing with solvents. Use care when disposing of waste rags and towels to be sure they do not create fire or environmental hazards. Keep children and animals safely away when cleaning and assembling this machine.

WARNING

Do not use gasoline or other petroleum-based solvents to remove this protective coating. These products generally have low flash points which makes them extremely flammable. A risk of explosion and burning exists if these products are used. Serious personal injury may occur.

CAUTION

All die-cut metal parts have a sharp edge (called "flashing") on them after they are formed. This is generally removed at the factory. Sometimes a bit of flashing might escape inspection, and the sharp edge may cause cuts or lacerations when handled. Please examine the edges of all die-cut metal parts and file or sand the edge to remove the flashing before handling.



Site Considerations

FLOOR LOAD

Your G7211/G7212 Bandsaw represents a large weight load in a small footprint. Most commercial floors are suitable for the Model G7211/G7212. Some residential floors may require additional build up to support both machine and operator.

WORKING CLEARANCES

Working clearances can be thought of as the distances between machines and obstacles that allow safe operation of every machine without limitation. Consider existing and anticipated machine needs, size of material to be processed through each machine, and space for auxiliary stands and/or work tables. Also consider the relative position of each machine to one another for efficient material handling. Be sure to allow yourself sufficient room to safely run your machines in any foreseeable operation.

LIGHTING AND OUTLETS

Lighting should be bright enough to eliminate shadow and prevent eye strain. Electrical circuits should be dedicated or large enough to handle combined motor amp loads. Outlets should be located near each machine so power or extension cords are not obstructing high-traffic areas. Be sure to observe local electrical codes for proper installation of new lighting, outlets, or circuits.

CAUTION

Make your shop "child safe". Ensure that your workplace is inaccessible to youngsters by closing and locking all entrances when you are away. Never allow visitors in your shop when assembling, adjusting or operating equipment.



SECTION 4: ASSEMBLY

Fence

Most of your G7211/G7212 24" Bandsaw has been assembled at the factory. Only the fence assembly requires installation.

To mount the fence to the bandsaw table:

1. Mount the front rail to the table using two (2) $\frac{5}{16}$ - 18 x 2 $\frac{1}{2}$ " Cap Screws and the two (2) Spacers provided. **See Figure 2.**
2. Loosen the fence lock knob and slide the fence onto the rail.



Figure 2. Front rail in place and fence installed.

WARNING

DO NOT attempt any step of assembly, adjustments, or maintenance while your Model G7211/G7212 is running. Ensure that the switch is off, power is disconnected and moving parts have stopped before making adjustments. Failure to comply may result in serious personal injury.



SECTION 5: ADJUSTMENTS

Tracking

To adjust the tracking:

1. Disconnect the bandsaw from the power source and open the top and bottom wheel covers. Adjust the upper and lower guide assemblies away from the blade.
2. Loosen the lock nut on the tracking knob. **See Figure 3.** Rotate the upper wheel by hand and adjust the tracking knob (turn the tracking knob clockwise to track the blade in, counterclockwise to track out) until the flat body of the blade tracks in the center of the upper wheel. Turn the wheel at least three full turns to ensure that the blade is tracking in its final position.



Figure 3. Tracking knob adjustment location.

CAUTION

Use extreme care when turning the bandsaw wheel. The upper wheel may have sharp edges and any procedures which require work in close proximity to the bandsaw blade could result in serious injury.



Tension

Final blade tension ultimately depends on the type and size of blade you use. To adjust the tension:

1. Raise the blade guard to its fully retracted position.
2. Press, with moderate pressure, on the face of the blade with your thumb.
3. Turn the tension wheel until the blade deflects about $\frac{1}{4}$ ". **See Figure 4.**
4. Make the other adjustments to the saw and test run it. If the blade is not cutting properly, the tension may need to be increased. Remember, thin blades require less tension than wide blades.
5. Reduce the blade tension when the bandsaw is not in use. This will help prevent premature wear or breakage of the blade and/or rubber tires.

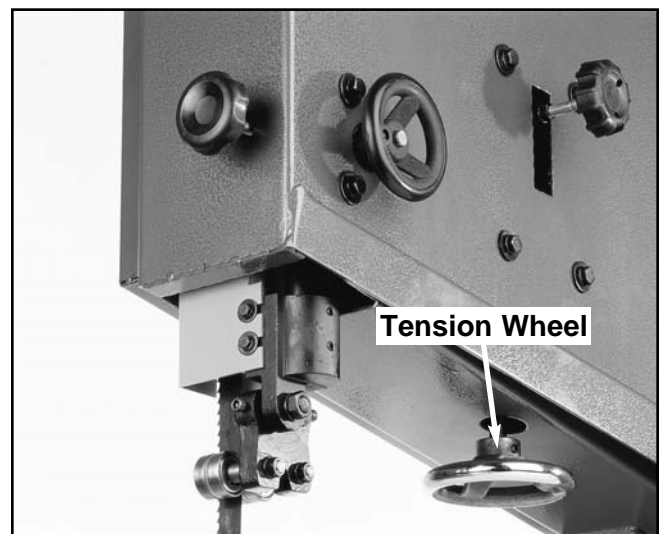


Figure 4. Tension wheel adjustment location.



Wheel Alignment

For proper operation of the bandsaw it is important that the upper and lower wheels be aligned so they are in the same plane. **See Figure 5** to understand the relationship between the wheels.

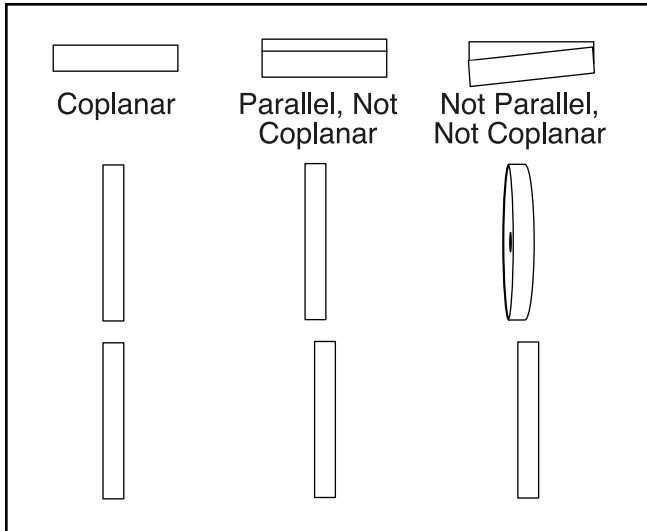


Figure 5. Wheel alignment conditions.

On the G7211/7212 it is not possible to lay a straightedge across the two wheels to check coplanarity and parallelism because of the arrangement of the wheels in the cabinet. The wheel relationship can be checked by clamping two blocks of exactly the same size (must be at least 2" high to extend beyond the cabinet) and squareness to each wheel (use the large holes in the wheels for the clamp), then use a straightedge to check the wheel position. It will be necessary to remove the fence and the table to perform this check.

The adjustment knobs on the upper wheel (**See Figure 6**) can be used to correct for deviation in parallelism between the two wheels. Although this has been set at the factory, it is a good idea to check it occasionally to assure proper operation of your bandsaw. Loosen the check nuts and adjust as necessary by turning one knob in and the other knob about the same amount. Adjust in small increments and check the measurement between the wheels until the wheels are in alignment.

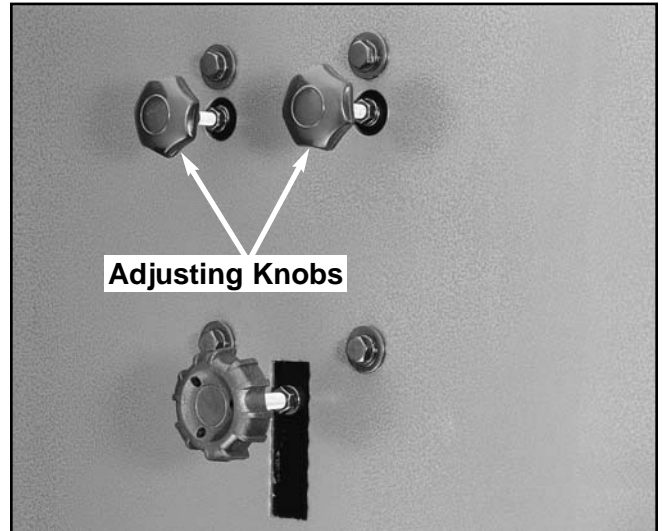


Figure 6. Wheel alignment adjusting knobs.

If the wheels are not coplanar, the bearing mount on the lower wheel can be adjusted to move the wheel position in or out, or the wheel can be shimmed on its shaft. This is a major service procedure, however, and should be undertaken very carefully. Normally the positioning of the wheels will not change as long as the saw is properly cared for and is not dropped or tipped onto its back or side. Contact Customer Service for more information on wheel alignment if you are experiencing difficulty.



Upper Guides

Normally **Steps 1-4** are implemented prior to installing a new blade. Refer to **Figure 7** to identify the components of the guide assembly. To adjust the upper guides:

1. Loosen the bearing guide shaft lock nuts.
2. The bearing guides are mounted on an eccentric shaft. With a regular screwdriver, rotate the guides away from the blade.
3. Loosen the cap screw holding the rear support bearing in place and slide the rear support bearing away from the blade.
4. Loosen the cap screw holding the blade guide assembly in place and slide it back away from the blade.

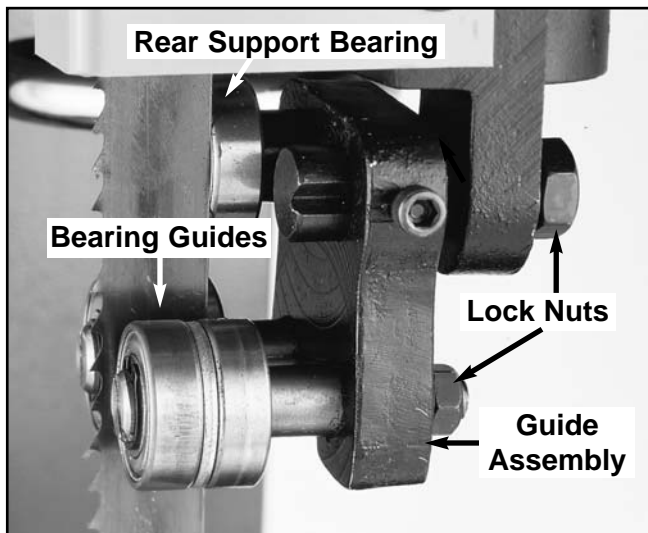


Figure 7. Upper blade guide assembly.

5. Install your blade of choice. Track and tension as per the instructions in this manual.
6. Move the blade guide assembly so the bearing guides are $\frac{1}{16}$ " behind blade gullets. Tighten the guide assembly.
7. Now rotate the bearing guide shafts until the bearings are approximately $\frac{1}{64}$ " from the blade. Hold the shafts in place with a screw driver and tighten the bearing guide lock nuts. The guide bearing, when adjusted correctly, should have a slight drag against the blade. If the guide bearings pinch the blade, it will damage the bearing guides and blade.
8. Slide the rear support bearing until it is approximately $\frac{1}{32}$ " from the blade and tighten.

NOTICE

The bearing guide shaft lock nuts should only be as loose as necessary to allow the shafts to rotate. If they are too loose it will be very difficult, if not impossible, to adjust the guides accurately.



Lower Guides

Normally **Steps 1-4** are implemented prior to installing a new blade. Refer to **Figure 8** to identify the components of the guide assembly. To adjust the lower guides:

1. Loosen the lower guide lock nuts and thread the shafts out so the blade guides are away from the blade.
2. Loosen the setscrew that holds the rear support bearing in place and slide it back.
3. Loosen the bolts that hold the lower guide assembly in place and slide the lower guide back.

Positive Table Stop

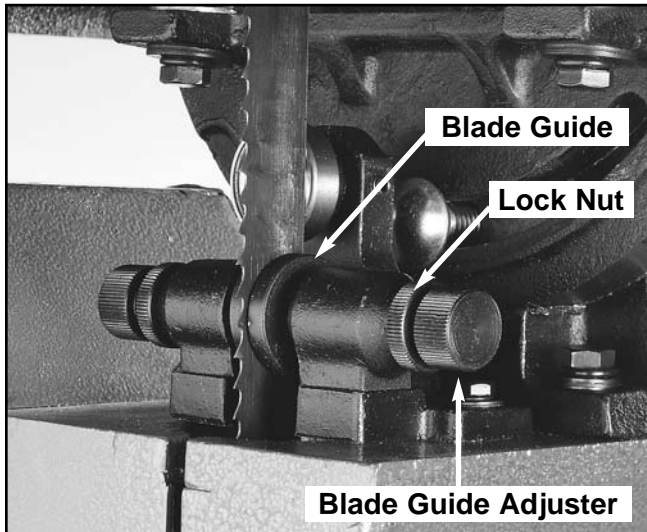


Figure 8. Lower blade guide assembly.

4. Install blade. Track and tension according to the instructions in this manual. It is recommended that you adjust the upper guides first, then the lower.
5. Slide the lower guide forward so the bearing guides are $\frac{1}{16}$ " behind blade gullets. Tighten the lower guide assembly.
6. Thread in the lower blade guide adjusters until the blade guides are approximately $\frac{1}{64}$ " from the blade. Tighten the lock nuts.
7. Slide the rear support bearing until it is approximately $\frac{1}{32}$ " from the blade and tighten.

! WARNING

DO NOT make adjustments while the band-saw is running. Ensure that the switch is off, power is disconnected and moving parts have stopped before making adjustments. Failure to comply may result in serious personal injury.



To adjust the positive stop so the table will be perpendicular to the blade:

1. Loosen the trunnion lock handle and check nut locking the positive stop adjusting bolt. **See Figure 9.**
2. Raise the upper blade guide assembly up and stand a machinist's square or adjustable square on the table next to the side of the blade. Adjust the positive stop adjusting bolt to raise or lower the table until the table is 90° to the blade.
3. Secure the trunnion lock handle and lock the positive stop adjusting bolt by tightening the lock nut. Ensure that the bolt does not turn while tightening the lock nut.
4. Adjust the pointer on the table so that it points directly to 0° .



Figure 9. Location of positive stop adjustment.



SECTION 6: OPERATIONS

The bandsaw is one of the most versatile machines in the shop. It can cut miters, compound angles, simple and complex curves, circles, and a wide variety of irregular shapes. It can also rip and crosscut, as well as cut a variety of joints. The bandsaw will also resaw stock into thinner boards.



Pre-Run Check

There are many adjustment points and compensating differences to consider when operating this type of saw. Therefore, cutting results can be somewhat unpredictable if some or all of the crucial adjustments are neglected. Here are a few simple things you can do to increase the predictability of your bandsaw's performance:

- 1. Always use a sharp, high-quality blade.** Although you might save a few dollars initially, buying a cheap blade will give you cheap results. As a rule, spending more now saves you money later.
- 2. Use the right blade for the job.** Resawing with a $\frac{1}{16}$ " blade or doing scrollwork with a 1" blade are extreme examples of using the wrong blade for the job.
- 3. Set the top guide assembly** so it is just above the top of the work at all times.
- 4. Allow the saw to cut. Don't force the workpiece into the blade.** When cutting curves or irregular shapes, remember that while negotiating a curve, the blade should still be cutting wood. Simply turning the workpiece will only bind the blade and could break it.
- 5. Maintain your bandsaw in top condition.** See the following section of this manual for maintenance procedures.



G7211/7212 24" Bandsaw

Bandsaw Blades

A bandsaw blade is a delicate piece of steel subjected to tremendous strain. Be sure you use quality blades of the proper width for the various types of cutting operations. The Grizzly G7211/7212 24" Bandsaw accepts 154 $\frac{1}{2}$ " blades ranging in widths from $\frac{1}{2}$ " to 1 $\frac{1}{4}$ ".

Always use the widest blade possible for the workpiece you are cutting. Use narrow blades only for sawing small, abrupt curves and for fine, delicate work. Bandsaw blades can be purchased welded, set, and sharpened ready-for-use from Grizzly's catalog or website.

Always select and use good-quality saw blades and choose the right blade for the job. Poor quality blades and improper use are often the cause of premature blade failure.

Many conditions can lead to breakage. Blade breakage is, in some cases, unavoidable, since it is the natural result of the peculiar stresses that bandsaw blades are subjected to. Blade breakage is also due to avoidable causes. Avoidable breakage is most often the result of poor care or judgement on the part of the operator when mounting or adjusting the blade or support guides. The most common causes of blade breakage are: (1) faulty alignment and adjustment of the guides; (2) forcing or twisting a wide blade around a curve or short radius; (3) feeding too fast; (4) tooth dullness or absence of sufficient set; (5) excessive tension; (6) upper blade guide assembly set too high above the workpiece; (7) using a blade with a lumpy or improperly finished weld; and (8), continuously running the bandsaw when not in use.



Changing Blades

To remove the blade, ensure the power is disconnected and:

1. Loosen tension on the blade by turning the tension control knob.
2. Remove the table insert and table pin.
3. Remove the fence and front fence rail.
4. Adjust upper guide bearings and lower guide blocks away from the blade.
5. Open the upper and lower wheel covers and slide the blade off both wheels. **Use caution, the blades are sharp!**
6. Maneuver the blade through the table slot then turn it 90° to move the blade between the fence rail and the table.

To replace the blade, ensure that the power is disconnected and:

1. Slide the blade behind the fence rail and through the table slot, ensuring that the teeth are pointing down toward the table.

If the teeth will not point downward in any orientation, the blade is inside out. **See Figure 10** for typical blade geometry. Put on heavy gloves, remove the blade, and twist it until it is right side out. Re-install the blade.

2. Slip the blade through the upper and lower guides and mount over the upper and lower wheels.
3. Apply tension to the blade by turning the tension control knob. Refer to blade tensioning instructions earlier in this section.

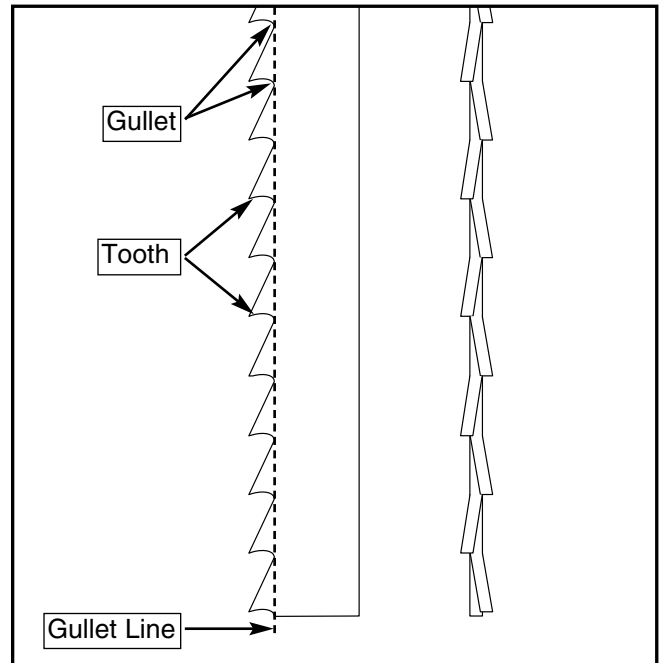


Figure 10. Side and front views of a standard bandsaw blade.

4. Rotate the upper wheel manually and check blade tracking.
5. Adjust the upper guide bearings and lower guide blocks as described earlier in this section.
6. Close the wheel covers. Turn the yellow guard locking knobs to lock them shut.
7. Replace the table insert and table pin, being sure not to use excessive force.
8. Replace the fence rail and fence.

⚠️ WARNING

Use extreme caution when replacing blades. Teeth are dangerously sharp and coiled blades are prone to spring when released from their packaging. Use gloves and safety glasses or goggles whenever handling blades. Failure to do so could result in serious personal injury.



Changing Speeds

The G7211/G7212 24" Bandsaw provides two speeds, 2800 and 3500 FPM, to make cutting easier. In many applications, blade speed is a matter of personal preference. Usually the higher speed will produce the best results, but if the motor is straining while cutting, try a slower blade speed. Blade speed is also affected by the type of wood, denser woods need a different speed than a softer, lighter wood. Ultimately blade speed is a matter of trial and error. Whenever possible test the cut on a scrap piece first to gauge how well the blade is cutting at the selected speed.

To change bandsaw speeds:

1. Turn the bandsaw power switch off and disconnect from power source.
2. Use a $\frac{9}{16}$ " open end wrench to loosen the lock nut and lock bolt on the lock system. **See Figure 11.** This provides room to turn the adjuster nut.
3. Use a $\frac{3}{4}$ " box wrench to loosen the adjuster nut. Loosen as needed to allow the shaft to move. **See Figure 12.**
4. Select the pulleys for the speed desired. The rear or smaller motor pulley provides the slower, 2800 FPM, speed, while the front pulleys are for the faster 3500 FPM speed. **See Figure 13.**
5. Move the V-belt to the pair of pulleys which provide the desired speed.
6. Tighten the belt by sliding the adjuster nut and shaft up or down as needed.
7. Tighten the adjuster nut.
8. Bring the lock bolt head snug against the adjuster nut. Tighten the lock nut.



Figure 11. Backing off lock bolt.



Figure 12. Loosening the adjuster nut.

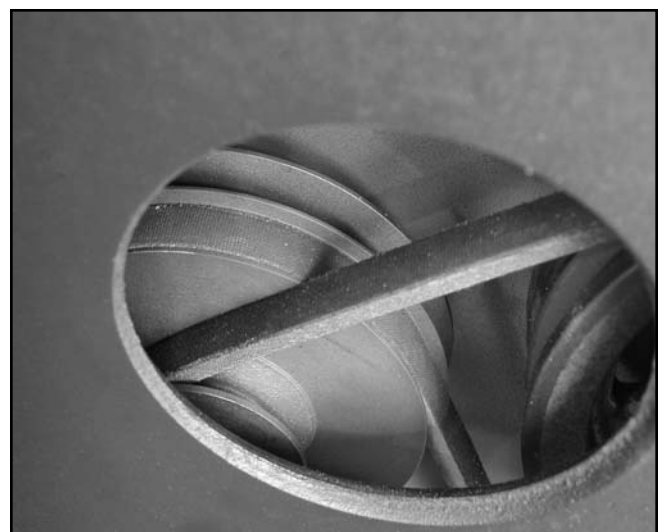


Figure 13. View of pulleys behind lower wheel.

Ripping

Ripping is the process of cutting a board into two or more thinner boards. The maximum board width that can be ripped is limited by the distance between the blade and the support column. Maximum cutting width for this bandsaw is 24".

The important consideration when ripping is blade selection. Generally, the wider the blade, the better. In most applications, a hook or skip tooth style will be sufficient. Also, since most ripped lumber will be planed or sanded smooth, you can choose blades with fewer teeth-per-inch. While blades with fewer teeth-per-inch produce rougher cuts, these types of blades offer larger gullet capacities for clearing sawdust, less heat buildup, and yield more horsepower per tooth.

To perform ripping operations:

1. The bandsaw must be adjusted correctly. See Blade Tension/Tracking section.
2. The table must be square to the blade. See Table Adjustment Section.
3. Use the widest blade available. The blade must also be in good condition.
4. Use a fence to guide work.
5. Draw a reference line on the edge of the board.
6. Support ends of the board if necessary.
7. Feed work slowly and evenly.



Stacked Cuts

One of the benefits of a bandsaw is its ability to cut multiple copies of a particular shape by stacking a number of workpieces together.

Before making stacked cuts, it is essential to ensure that both the table and the blade are properly adjusted to 90°. Otherwise, any error will be compounded with each piece cut from the top to the bottom of the stack.

To complete a stacked cut:

1. Align your pieces from top to bottom to ensure that each piece has adequate scrap to provide a clean, unhampered cut.
2. Using brads in the waste portion of each piece, secure all the pieces together.
3. Lay out the shape you intend to cut on the face of the top piece.
4. Make relief cuts perpendicular to the outline of your intended shape in areas where changes in blade direction could strain the woodgrain or cause the blade kerf to bind.
5. Cut the stack of pieces as though you were cutting a single piece. Follow your layout line with the blade kerf on the waste side of your line.



Cutting Curves

When cutting curves, simultaneously feed and turn the stock carefully so that the blade follows the layout line without being twisted. If a curve is so abrupt that it would be necessary to repeatedly back up and cut a new kerf, use either a narrower blade or a blade with more set to avoid that. A blade with more set can cut relatively tighter radii; however, the cut is usually rougher than cuts produced by blades with medium set.

Always make short cuts first, then proceed to the longer cuts. Relief cuts will also reduce the chance that the blade will be pinched or twisted. Relief cuts are cuts made through the waste portion of the workpiece and are stopped at the layout line. As you cut along the layout line, waste wood is released from the workpiece, alleviating any pressure on the back of the blade. Relief cuts also make backing the workpiece out easier, if needed. The table below lists blade widths for this bandsaw and corresponding minimum radii each blade will cut.

BLADE WIDTH	MINIMUM RADII
1/2"	2 1/2"
5/8"	3 3/4"
3/4"	5 1/2"
1"	7 1/2"



Resawing

Resawing is the process of cutting a board into two or more thinner boards. Each new board is the same width and length as the original board, but the thickness is less. The maximum board width that can be resawn is limited by the maximum cutting height of the bandsaw. Maximum cutting height for this bandsaw is 15 3/4".

Use common sense when resawing; attempting to resaw a board that is too wide or too dense may put excessive strain on the blade and be unsafe.

Again, the important consideration when resawing is blade selection. When selecting a blade, keep in mind that generally, a wider blade is easier to control. The blade should be of the best quality in order to handle the increased stress. In most applications a hook or skip tooth style will work fine. Also, since most resawn lumber will be planed smooth, you can choose blades with fewer teeth per inch (3 to 6). While blades with fewer teeth per inch produce rougher cuts, these types of blades offer larger gullet capacities for clearing sawdust, less heat build up, and yield more horsepower per tooth.

NOTE: When operating with wide blades, run the bandsaw at the slowest speed.

To resaw lumber, follow the procedure below:

1. The blade must be adjusted correctly.
2. The table must be square to the blade.
3. Use the widest blade that will fit this saw (1 1/4"). The blade must also be in good condition.
4. Use the fence to guide the work.
5. Support ends of the board if necessary.
6. Feed work slowly and evenly.

When using a fence to guide the board, the actual line of cut may not be parallel to the fence. In fact, most bandsaw blades will not cut exactly parallel to the fence (even when the fence is set parallel to the miter gauge slot). There are usually a number of reasons for this:

1. Teeth are set unequally from side to side.
2. Teeth are dull on one side.
3. Blade tension is too tight or too loose.

IMPORTANT: Do not force the wood into the blade during cutting. This will distort the blade, cause excessive heat and often results in blade breakage as well as miscut lumber.



SECTION 7: MAINTENANCE

Table

The table and other non-painted surfaces on the Model G7211/7212 should be protected against rust and pitting. Wiping the saw clean after every use ensures that moisture from wood dust isn't allowed to trap moisture against bare metal surfaces.

Some woodworkers recommend using automotive paste wax on exposed steel and cast iron surfaces. The wax provides a layer of protection, as well as reducing friction between lumber and the table, making cuts faster and smoother. Avoid waxes that contain silicone or other synthetic ingredients. These materials can find their way into lumber that's being worked, and can make staining and finishing difficult. If you use paste wax, make sure that it's 100% Carnauba wax.

NOTICE

Do not use paraffin or similar waxes on your saw's table. They can leave residues which will make cutting more difficult over time. Do not use silicon based lubricants. They can rub off onto the wood and prevent it from taking stains and finishes properly.



V-Belts

To ensure optimum power transmission from the motor to the blade, the V-belt must be in good condition and operate under proper tension. Belts should be checked for cracks, fraying and wear. Belt tension should be checked at least every 3 months; more often if the bandsaw is used daily.

The V-belts are accessed via the bottom cover:

1. Squeeze the center of each V-belt.
2. Note the amount of deflection. Deflection should be approximately $\frac{3}{4}$ ".



WARNING

DO NOT make adjustments or attempt maintenance procedures while the Model G7211/G7212 is running. Ensure that the switch is off, power is disconnected and moving parts have stopped before making adjustments. Failure to comply may result in serious personal injury.

WARNING

Operating this equipment has the potential to propel debris into the air which can cause eye injury. Always wear safety glasses or goggles when operating equipment. Everyday glasses or reading glasses only have impact resistant lenses, they are not safety glasses. Be certain the safety glasses you wear meet the appropriate standards of the American National Standards Institute (ANSI).

Lubrication

Shielded and pre-lubricated ball bearings require no lubrication for the life of the bearings. All bearings are standard sizes and replacements can be purchased from our parts department or bearing supply store.

As for other items on this machine, such as adjustment controls, an occasional "shot" of light oil is just about all that is necessary. Before applying, however, wipe off any sawdust with a clean cloth, towel or dry paint brush and spray on the lubricant. Ensure that oil does not get on the pulleys or V-belts because it could cause belt deterioration and slipping.



Miscellaneous

Always be aware of the condition of your bandsaw before using it. Routinely check the condition of the following items and repair or replace as necessary.

1. Loose mounting bolts.
2. Worn switch.
3. Worn or damaged blade.
4. Worn or damaged support bearings or guide bearings.



SECTION 8: CLOSURE

The following pages contain general machine data, parts diagrams/lists, and Warranty/Return information for your Model G7211/G7212 24" Bandsaw.

If you need parts or help in assembling your machine, or if you need operational information, we encourage you to call our Service Department. Our trained service technicians will be glad to help you.

If you have comments dealing specifically with this manual, please write to our Bellingham, Washington location using the address in the Introduction. The specifications, drawings, and photographs illustrated in this manual represent the Model G7211/G7212 as supplied when the manual was prepared. However, due to Grizzly's policy of continuous improvement, changes may be made at any time with no obligation on the part of Grizzly. Whenever possible, though, we send manual updates to all owners of a particular tool or machine. Should you receive one, add the new information to this manual and keep it for reference.

We have included some important safety measures that are essential to this machine's operation. While most safety measures are generally universal, Grizzly reminds you that each workshop is different and safety rules should be considered *as they apply to your specific situation*.

WARNING

Always wear ANSI-approved safety glasses or goggles when operating equipment. Do not allow visitors into your workshop when testing or operating equipment unless they also have proper safety glasses. Serious personal injury may occur.

We recommend you keep a copy of our current catalog for complete information regarding Grizzly's warranty and return policy. If you need additional technical information relating to this machine, or if you need general assistance or replacement parts, please contact the Service Department listed in *Section 3: Introduction*.

Additional information sources are necessary to realize the full potential of this machine. Trade journals, woodworking magazines, and your local library are good places to start.



WARNING

The Model G7211/G7212 was specifically designed for wood cutting operations. **DO NOT MODIFY AND/OR USE THIS BANDSAW FOR ANY OTHER PURPOSE.** Modifications or improper use of this tool will void the warranty. If you are confused about any aspect of this machine, **DO NOT** use it until you have answered all your questions. Serious personal injury may occur.

WARNING

Like all power tools, there is danger associated with the Model G7211/G7212 24" Bandsaw. Use the tool with respect and caution to lessen the possibility of mechanical damage or operator injury. If normal safety precautions are overlooked or ignored. Serious personal injury may occur.



MACHINE DATA SHEET

Customer Service #: (570) 326-3806 • To Order Call: (800) 523-4777 • Fax #: (800) 438-5901

GRIZZLY MODEL G7211/12 24" BANDSAW

Design Type:Floor Model

Overall Dimensions:

Table21¼" x 26"
 Overall Height80½"
 Height From Floor to Table35"
 Width40"
 Depth including Fence29"
 Shipping Weight725 lbs.
 Crate Size39" L x 27½" W x 87" H
 Footprint35" x 19½"

Cutting Capacity:

Left of Blade24"
 Height Capacity (Overall)14"
 Height Capacity (at Blade)15¾"
 Table Tilt45° R, 10° L

Construction:

TablePrecision Ground Cast Iron
 WheelsFully balanced Cast Iron with Rubber Tires
 Rip FenceCast Iron
 Wheel CoversPre-Formed Steel
 GuidesAll Ball Bearing Guides

Motor:

Type.....	TEFC Capacitor Start Induction	
Bearings.....	Shielded & Lubricated Ball Bearings	
Switch	Magnetic with Thermal Overload Protector	
	<u>G7211</u>	<u>G7212</u>
Horsepower	5 HP	7.5 HP
Phase / Cycle.....	Single Phase / 60 Hz.....	3-Phase / 60 Hz
Voltage	220V	220V
Amps	20	24
RPM	3450	3450

Blades:

Sizes Available11 @ ½" - 1¼"
 Standard Blade Length176¾"
 Blade Speeds.....2800, 3500 FPM

Features:

.....Micro-Adjustable Ball Bearing Blade Guides
Cast Iron Fence
Miter Gauge
4" Dust Port
Foot Brake

Specifications, while accurate, are not guaranteed.

REVISED 08/00

G7211 PARTS LIST

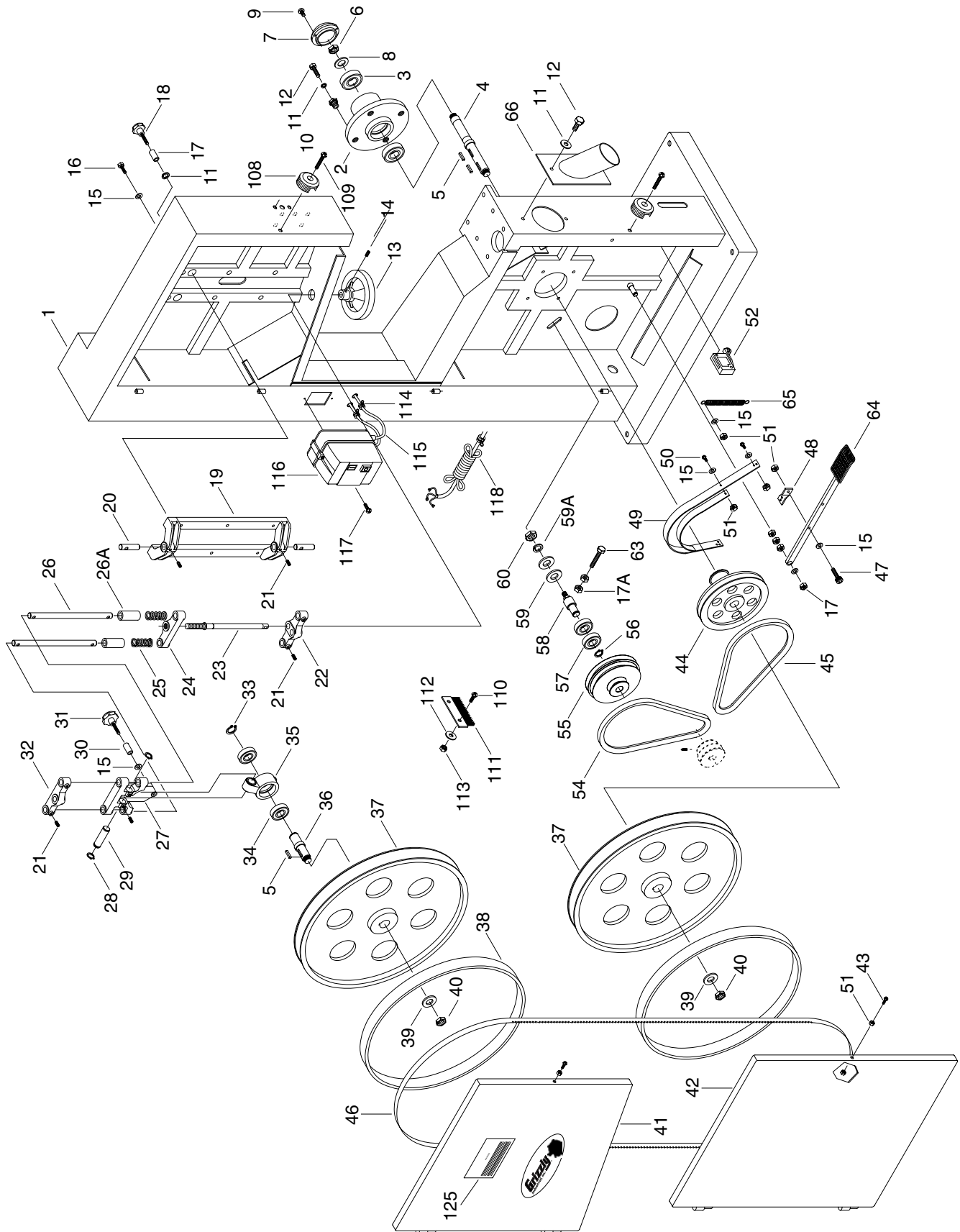
Ref#	Part#	Description
001	P7211001	BODY
002	P7211002	BEARING BASE
003	P6206	6206 BEARING
004	P7211004	SHAFT
005	PK27M	KEY 7 X 7 X 25
006	P7211006	HEX NUT 3/4 X 16NF
007	P7211007	BEARING COVER
008	P7211008	WASHER 3/4"
009	P7211009	PAN SCREW 1/4 X 5/8"
010	P7211010	ADJUSTING SCREW
011	P7211011	SPRING WASHER 3/8"
012	P7211012	HEX SCREW 3/8 X 1 1/2"
013	P7211013	ADJUST WHEEL
014	P7211014	SET SCREW 5/16 X 3/8"
015	P7211015	WASHER 3/8"
016	P7211016	HEX SCREW 3/8 X 1"
017	P7211017	BUSH
017A	P7211017A	HEX NUT
018	P7211018	LOCK SCREW 5/16 X 3"
019	P7211019	UPPER WHEEL BASE
020	P7211020	BRACKET SHAFT
021	P7211021	SET SCREW 5/16 X 3/8"
022	P7211022	ADJUST BRACKET
023	P7211023	ADJUST SCREW
024	P7211024	ELEVATOR BRACKET
025	P7211025	SPRING
026	P7211026	GUIDE SPINDLE
026A	P7211026A	SPINDLE BUSHING
027	P7211027	UPPER WHEEL GUIDE BRACKET
028	P7211028	C-RING S-20
029	P7211029	LEVER SHAFT
030	P7211030	BUSH
031	P7211031	LOCKING SCREW
032	P7211032	UPPER ADJUST BRACKET
033	P7211033	C-RING S-25
034	P6205	BEARING 6205
035	P7211035	UPPER WHEEL BEARING BASE
036	P7211036	UPPER WHEEL SHAFT
037	P7211037	BLADE WHEEL
038	P7211038	RUBBER COATING
039	P7211039	WASHER 3/4"
040	P7211040	HEX NUT 3/4 X 16NF
041	P7211041	UPPER GUARD
042	P7211042	LOWER GUARD
043	P7211043	HEX SCREW 1/4 X 1 1/4"

Ref#	Part#	Description
044	P7211044	BRAKE WHEEL
045	PVB36	V-BELT B-36 5L360
046	P7211046	*SEE CATALOG*
047	P7211047	CAP SCREW 1/4 X 1 1/4"
048	P7211048	BRAKE BELT LOCKING
049	P7211049	BRAKE BELT
050	P7211050	HEX SCREW 1/4 X 5/8"
051	P7211051	HEX NUT 1/4 X 5/8"
052	P7211052	BRAKE SWITCH
053	P7211053	MOTOR PULLEY
054	PVB25	V-BELT B-255 L250
055	P7211055	INTERMEDIATE WHEEL
056	P7211056	C-RING S-20
057	P6204	BEARING 6204
058	P7211058	INTERMEDIATE WHEEL SHAFT
059	P7211059	WASHER 1/2"
059A	P7211059A	LOCK WASHER
060	P7211060	HEX NUT 1/2"
061	P7211061	MOTOR
062	P7211062	MOTOR MOUNTING PLATE
063	P7211063	HEX SCREW 3/8 X 2 1/2"
064	P7211064	BRAKE PEDAL
065	P7211065	SPRING
066	P7211066	DUST CHUTE
067	P7211067	BUSH
068	P7211068	GUIDE RAIL
069	P7211069	CAP SCREW 5/16 X 2 1/2"
070	P7211070	SET SCREW 5/16 X 1/2"
071	P7211071	RAIL COVER
072	P7211072	FENCE
073	P7211073	LOCKING KNOB
074	P7211074	WORKING TABLE
075	P7211075	INSERT
076	P7211076	SPRING PIN
077	P7211077	MITER GAUGE BAR
078	P7211078	POINTER
079	P7211079	PAN SCREW 3/16 X 1/4"
080	P7211080	PIN
081	P7211081	MITER GAUGE
082	P7211082	GUIDE DISC
083	P7211083	LOCKING SCREW
084	P7211084	TABLE GAUGE BRACKET
085	P7211085	SPRING WASHER 3/8"
086	P7211086	HEX SCREW 3/8 X 1 1/2"
087	P7211087	TRUNNION

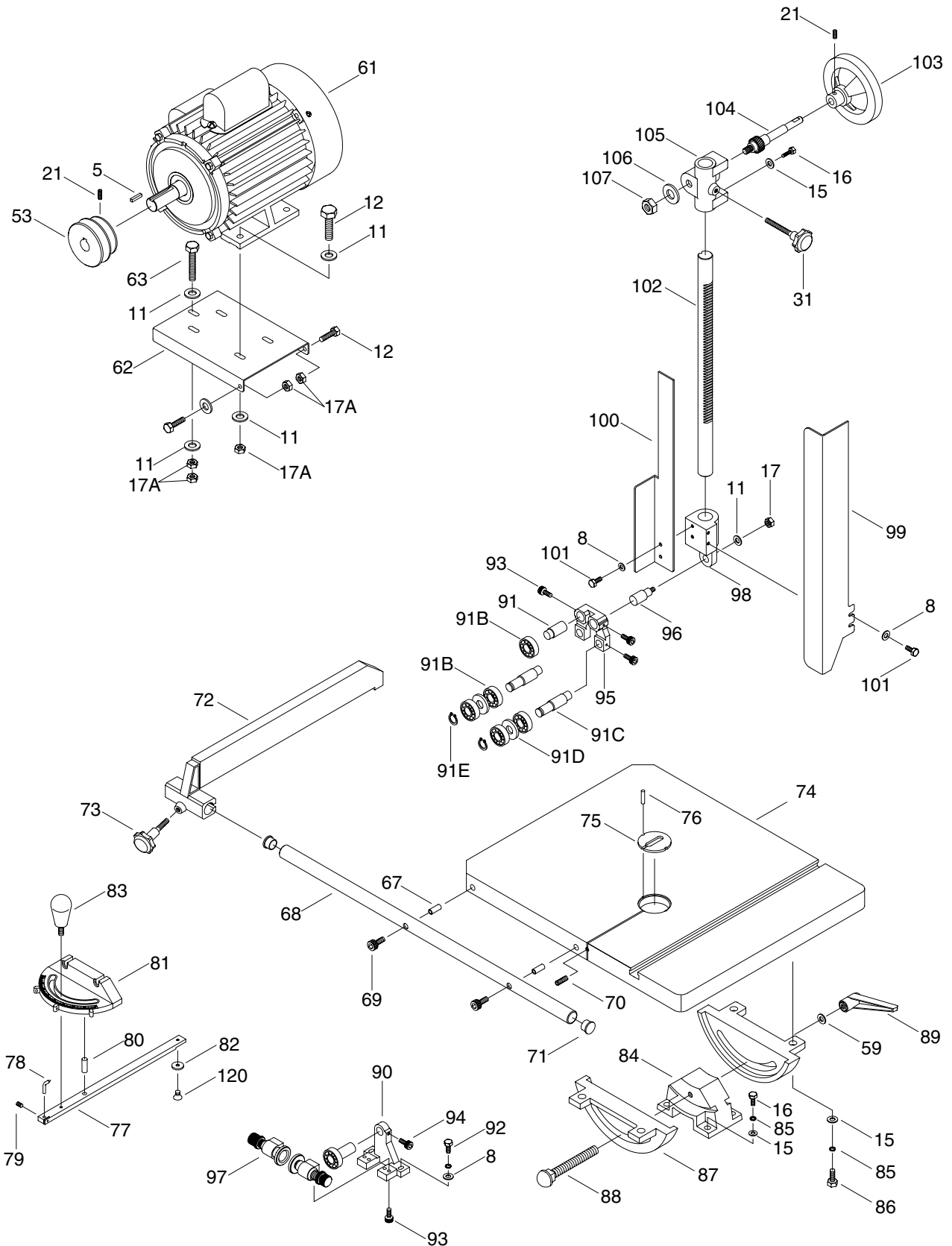
Ref#	Part#	Description
088	P7211088	LOCKING HANDLE
089	P7211089	LOCKING HANDLE
090	P7211090	LOWER GUIDE BRACKET
091	P7211091	BLADE SUPPORT SHAFT
091B	P6202	BEARING
091C	P7211091C	GUIDE SHAFT
091D	P7211091D	SPACER
091E	P7211091E	C-RING S-15
092	P7211092	HEX SCREW
093	P7211093	CAP SCREW 1/4 X 5/8"
094	P7211094	SET SCREW 1/4 X 3/8"
095	P7211095	UPPER GUIDE BRACKET
096	P7211096	LOCKING SHAFT
097	P7211097	GUIDE WHEEL
098	P7211098	GUIDE BAR BRACKET
099	P7211099	BLADE GUARD
100	P7211100	BLADE INTER GUARD
101	P7211101	HEX SCREW 1/4 X 5/8"
102	P7211102	GUIDE BAR
103	P7211103	ELEVATOR HAND WHEEL
104	P7211104	GEAR
105	P7211105	GUIDE BAR CASE BRACKET
106	P7211106	WASHER
107	P7211107	NUT 1/2"
108	P7211108	LOCK KNOB
109	P7211109	SCREW 1/4 X 5/8"
110	P7211110	SCREW 3/16 X 1 1/2"
111	P7211111	BRUSH
112	P7211112	WASHER 3/16"
113	P7211113	NUT 3/16-24 NC
114	P7211114	STRAIN RELIEF
115	P7211115	MOTOR CORD
116	P7211116	SWITCH ON/OFF
117	P7211117	SCREW
118	P7211118	POWER CORD
120	P7211120	SCREW
125	P7211125	LABEL

The parts list for the G7212 is identical except that Reference #61 Motor is a 7.5 H.P. horse-power, three-phase motor - G6249.

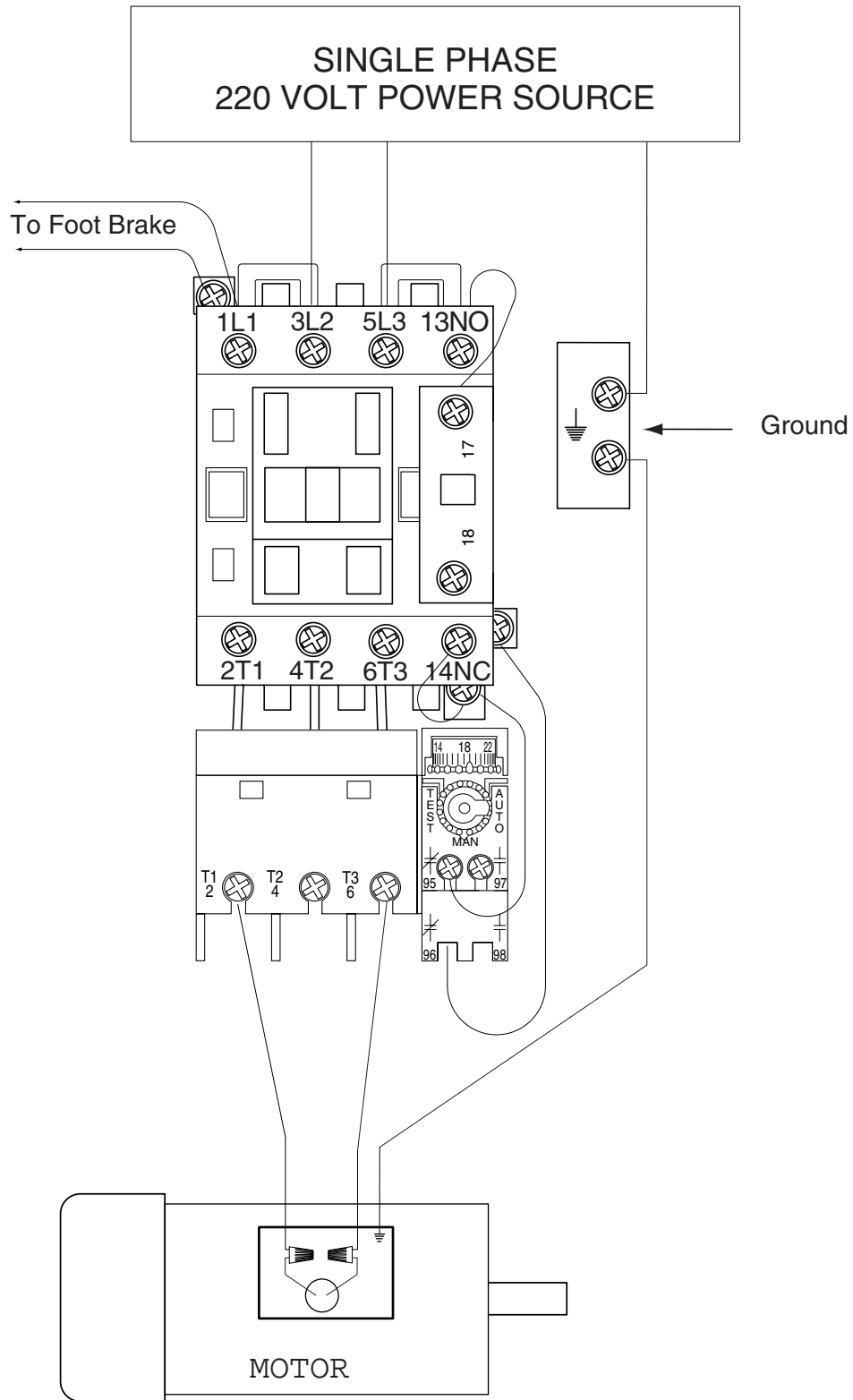
G7211/G7212 PARTS DIAGRAM



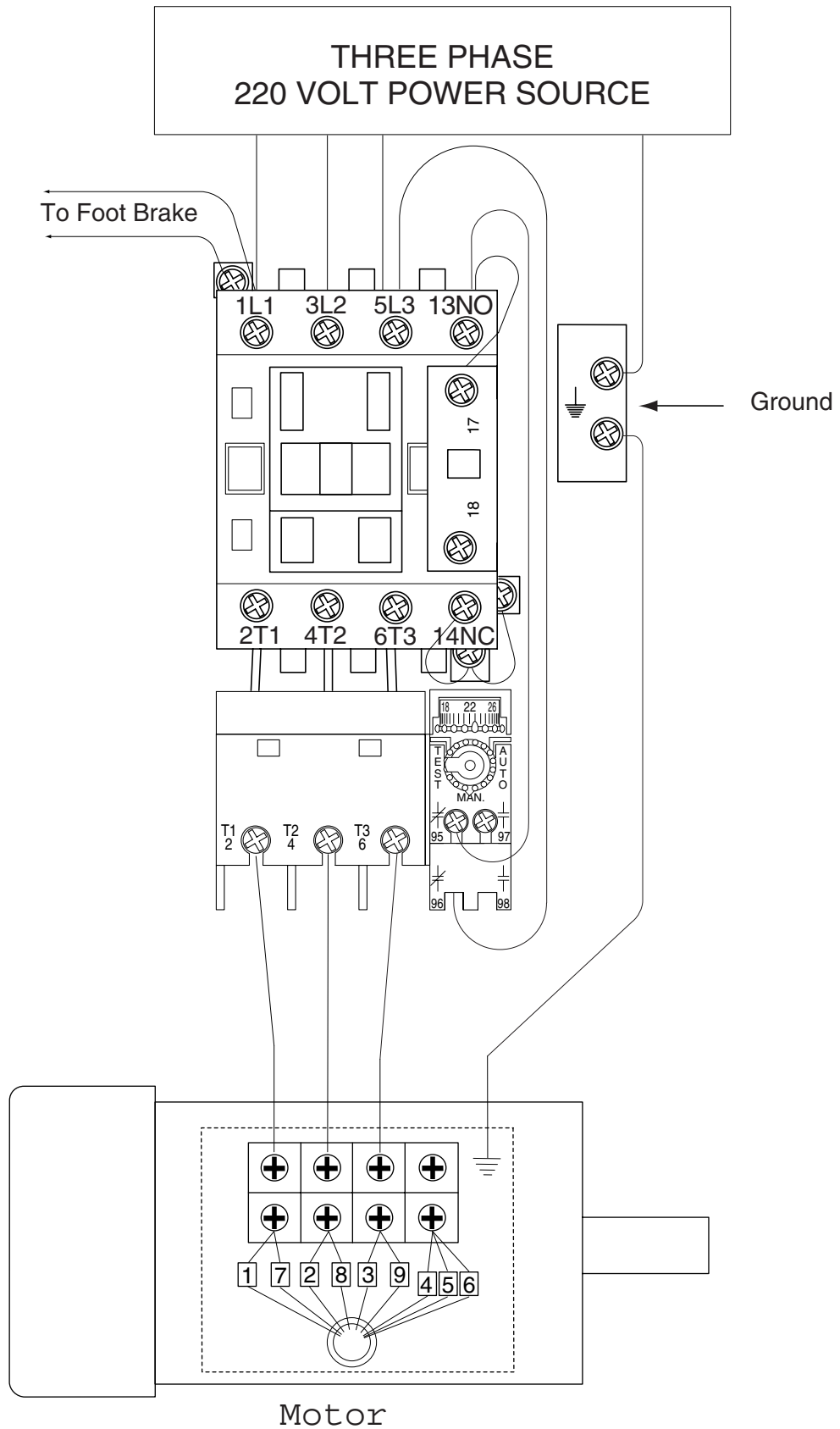
G7211/G7212 PARTS DIAGRAM



G7211 Switch Wire Diagram



G7212 Switch Wire Diagram



WARRANTY AND RETURNS

Grizzly Industrial, Inc. warrants every product it sells for a period of **1 year** to the original purchaser from the date of purchase. This warranty does not apply to defects due directly or indirectly to misuse, abuse, negligence, accidents, repairs or alterations or lack of maintenance. This is Grizzly's sole written warranty and any and all warranties that may be implied by law, including any merchantability or fitness, for any particular purpose, are hereby limited to the duration of this written warranty. We do not warrant or represent that the merchandise complies with the provisions of any law or acts unless the manufacturer so warrants. In no event shall Grizzly's liability under this warranty exceed the purchase price paid for the product and any legal actions brought against Grizzly shall be tried in the State of Washington, County of Whatcom.

We shall in no event be liable for death, injuries to persons or property or for incidental, contingent, special, or consequential damages arising from the use of our products.

To take advantage of this warranty, contact us by mail or phone and give us all the details. We will then issue you a "Return Number", which must be clearly posted on the outside as well as the inside of the carton. We will not accept any item back without this number. Proof of purchase must accompany the merchandise.

The manufacturers reserve the right to change specifications at any time because they constantly strive to achieve better quality equipment. We make every effort to ensure that our products meet high quality and durability standards and we hope you never need to use this warranty.

Please feel free to write or call us if you have any questions about the machine or the manual.

Thank you again for your business and continued support. We hope to serve you again soon.

WARRANTY CARD

Name _____
Street _____
City _____ State _____ Zip _____
Phone Number _____ E-Mail _____ FAX _____
MODEL G7211/7212 24" Bandsaw Order # _____

The following information is given on a voluntary basis. It will be used for marketing purposes to help us develop better products and services. Of course, all information is strictly confidential.

1. How did you learn about us?
 Advertisement Friend
 Catalog Card Deck
 World Wide Web
 Other _____
2. Which of the following magazines do you subscribe to.
 American Woodworker Practical Homeowner
 Cabinetmaker Shop Notes
 Family Handyman Today's Homeowner
 Fine Homebuilding WOOD
 Fine Woodworking Wooden Boat
 Home Handyman Woodshop News
 Journal of Light Construction Woodsmith
 Old House Journal Woodwork
 Popular Mechanics Woodworker
 Popular Science Woodworker's Journal
 Popular Woodworking Workbench
 Other _____
3. Which of the following woodworking/remodeling shows do you watch?
 Backyard America The New Yankee Workshop
 Home Time This Old House
 The American Woodworker Woodwright's Shop
 Other _____
4. What is your annual household income?
 \$20,000-\$29,999 \$60,000-\$69,999
 \$30,000-\$39,999 \$70,000-\$79,999
 \$40,000-\$49,999 \$80,000-\$89,999
 \$50,000-\$59,999 \$90,000 +
5. What is your age group?
 20-29 50-59
 30-39 60-69
 40-49 70 +
6. How long have you been a woodworker?
 0 - 2 Years 8 - 20 Years
 2 - 8 Years 20+ Years
7. How would you rank your woodworking skills?
 Simple Advanced
 Intermediate Master Craftsman
8. What stationary woodworking tools do you own? Check all that apply.
 Air Compressor Panel Saw
 Band Saw Planer
 Drill Press Power Feeder
 Drum Sander Radial Arm Saw
 Dust Collector Shaper
 Horizontal Boring Machine Spindle Sander
 Jointer Table Saw
 Lathe Vacuum Veneer Press
 Mortiser Wide Belt Sander
 Other _____
9. How many of your woodworking machines are Grizzly? _____
10. Which benchtop tools do you own? Check all that apply.
 1" x 42" Belt Sander 6" - 8" Grinder
 5" - 8" Drill Press Mini Lathe
 8" Table Saw 10" - 12" Thickness Planer
 8" - 10" Bandsaw Scroll Saw
 Disc/Belt Sander Spindle/Belt Sander
 Mini Jointer
 Other _____
11. How many of the machines checked above are Grizzly? _____
12. Which portable/hand held power tools do you own? Check all that apply.
 Belt Sander Orbital Sander
 Biscuit Joiner Palm Sander
 Circular Saw Portable Planer
 Detail Sander Saber Saw
 Drill/Driver Reciprocating Saw
 Miter Saw Router
 Other _____
13. What machines/supplies would you like Grizzly Industrial to carry?
 12" Table Saw Radial Arm Saw
 12" Jointer Panel Saw
 Combination Planer/Jointer Brass Hardware
 Paint & Finishing Supplies Lumber
 Contractor's Supplies
 Other _____
14. What new accessories would you like Grizzly Industrial to carry?
 Builders Hardware Hand Tools
 Fasteners Wood Components
 Other _____
15. What other companies do you purchase your tools and supplies from?

16. Do you think your purchase represents good value?
 Yes No
17. Would you recommend Grizzly Imports to a friend?
 Yes No
18. Would you allow us to use your name as a reference for Grizzly customers in your area? **Note: We never use names more than three times.**
 Yes No
19. Comments: _____

CUT ALONG DOTTED LINE

FOLD ALONG DOTTED LINE



Place
Stamp
Here



GRIZZLY INDUSTRIAL, INC.
P.O. BOX 2069
BELLINGHAM, WA 98227-2069



FOLD ALONG DOTTED LINE

Send a Grizzly Catalog to a friend:

Name _____
Street _____
City _____ State _____ Zip _____

TAPE ALONG EDGES--PLEASE DO NOT STAPLE

Free Manuals Download Website

<http://myh66.com>

<http://usermanuals.us>

<http://www.somanuals.com>

<http://www.4manuals.cc>

<http://www.manual-lib.com>

<http://www.404manual.com>

<http://www.luxmanual.com>

<http://aubethermostatmanual.com>

Golf course search by state

<http://golfingnear.com>

Email search by domain

<http://emailbydomain.com>

Auto manuals search

<http://auto.somanuals.com>

TV manuals search

<http://tv.somanuals.com>