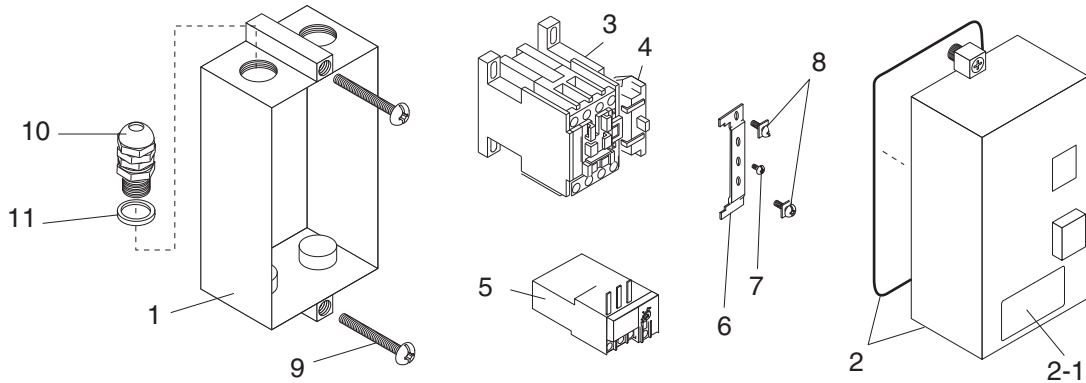


# Model G4668 Magnetic Switch Parts



REF PART #	DESCRIPTION
1	P4668001 SWITCH BOX
2	P4668002 SWITCH BOX COVER ASSEMBLY
2-1	P4668002-1 DATA LABEL, HNF8-18
3	P4668003 CONTACTOR TECO CN-18 220V
4	P4668004 FIELD SWITCH
5	P4668005 RELAY TECO RHN-18 23-32A

REF PART #	DESCRIPTION
6	P4668006 CONTACTOR RETAINER
7	PS38M PHLP HD SCR M4-.7 X 10
8	PHTEK18 TAP SCREW #10 X 5/8
9	PS10 PHLP HD SCR 10-24 X 1-1/2
10	P4571010 LIQUID-TITE STRAIN RELIEF
11	P4571011 RUBBER SEAL

COPYRIGHT © JANUARY, 2008 BY GRIZZLY INDUSTRIAL, INC. **WARNING: NO PORTION OF THIS MANUAL MAY BE REPRODUCED IN ANY SHAPE OR FORM WITHOUT THE WRITTEN APPROVAL OF GRIZZLY INDUSTRIAL, INC.**  
#CR10356 PRINTED IN TAIWAN



## Free Manuals Download Website

<http://myh66.com>

<http://usermanuals.us>

<http://www.somanuals.com>

<http://www.4manuals.cc>

<http://www.manual-lib.com>

<http://www.404manual.com>

<http://www.luxmanual.com>

<http://aubethermostatmanual.com>

Golf course search by state

<http://golfingnear.com>

Email search by domain

<http://emailbydomain.com>

Auto manuals search

<http://auto.somanuals.com>

TV manuals search

<http://tv.somanuals.com>