



MODEL H8246 WIDE SINGLE MINI ON/OFF SWITCH INSTRUCTIONS

For questions or help with this product contact Tech Support at (570) 546-9663 or techsupport@grizzly.com

⚠️ WARNING

To reduce risk of serious burns, electrocution or death when installing this switch:

- Only use this switch to replace an existing component switch that has the same physical configuration and equivalent electrical specifications/ratings.
- Installation must only be performed by an electrician or qualified service personnel, and all applicable electrical codes must be adhered to.
- Turn off and completely disconnect all power sources to the component before installing the switch.
- Only install this switch on the "hot" wires. Do not install it on the neutral or ground wires. Otherwise, the component could still be receiving live current even when the switch is turned *OFF*.
- Do not use this switch in wet or damp locations, or near explosive fumes or flammable liquids. It is not sealed or rated for these environments.
- Make sure there is a verified component ground on the circuit this switch is installed.



Figure 1. Model H8246.

Introduction

The Model H8246 features a wide single ON/OFF toggle switch and fits into a $\frac{3}{4}$ " x $\frac{7}{8}$ " rectangular hole.

Specifications

Rated Voltage..... 125V/250V
Rated Current..... 6A

COPYRIGHT © APRIL, 2011 BY GRIZZLY INDUSTRIAL, INC.

WARNING: NO PORTION OF THIS INSTRUCTION SHEET MAY BE REPRODUCED IN ANY SHAPE OR FORM WITHOUT THE WRITTEN APPROVAL OF GRIZZLY INDUSTRIAL, INC.

#TS13926 PRINTED IN CHINA

Installation

When installing the H8246 switch, use the wiring diagram in **Figure 2** to ensure proper wire connections.

WARNING

This switch is intended to be connected to stranded wire with insulated quick-disconnect crimp-type female wire terminals having a 1/4" tab.



All crimps must be "pull-checked" to ensure that wires are securely crimped and will not fall out with moderate tension or when exposed to normal operation vibration.

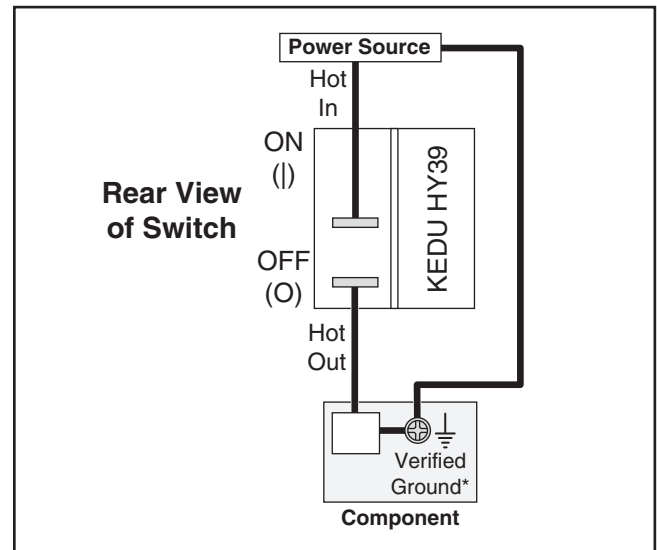


Figure 2. H8246 wiring diagram.

*The component MUST be connected to a verified ground. In the event of certain malfunctions or breakdowns, grounding reduces the risk of electric shock by providing a path of least resistance for electric current.



Free Manuals Download Website

<http://myh66.com>

<http://usermanuals.us>

<http://www.somanuals.com>

<http://www.4manuals.cc>

<http://www.manual-lib.com>

<http://www.404manual.com>

<http://www.luxmanual.com>

<http://aubethermostatmanual.com>

Golf course search by state

<http://golfingnear.com>

Email search by domain

<http://emailbydomain.com>

Auto manuals search

<http://auto.somanuals.com>

TV manuals search

<http://tv.somanuals.com>