



MODEL H0587 AIR WONDER VACUUM KIT INSTRUCTION SHEET

⚠ WARNING



EYE INJURY HAZARD!
Always wear safety glasses during use to prevent serious personal injury.



INJURY HAZARD!
When servicing, always disconnect tool from air to prevent unexpected operation.



**120 PSI
MAX AIR PRESSURE!**
Exceeding this PSI may result in injury/tool damage.



LUNG INJURY HAZARD!
Always wear a respirator during use to reduce exposure to dust.

Specifications

Operating Pressure 90 PSI
Air Inlet 1/4" NPT
Weight 1 1/2 lbs.

Inventory (Figure 1)

	Qty
A. Hose	1
B. Vacuum	1
C. Extension Tube	1
D. Hose Clamps.....	2
E. Dust Collection Bag.....	1

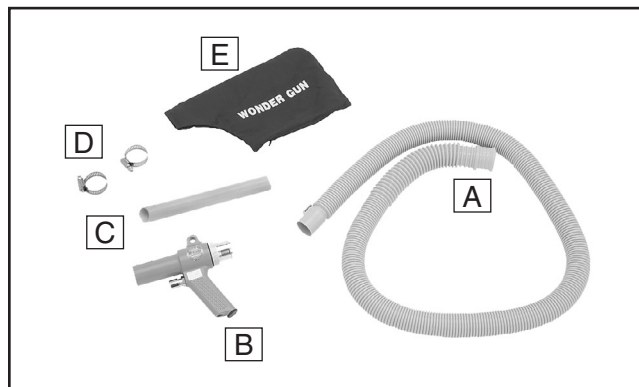


Figure 1. Model H0587 inventory.

Assembly

1. Insert the extension tube into the front of the vacuum, and install a 1/4" NPT male quick-disconnect fitting (not included) into the bottom of the vacuum.
2. Place a clamp on the funnel-shaped end of the hose, insert the vacuum into the hose, and tighten the clamp (see **Figure 2**).

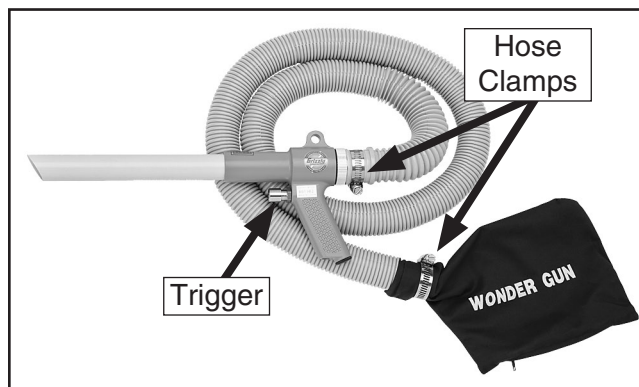


Figure 2. Vacuum kit assembled.

3. Place a clamp over the dust collection bag, insert the end of the hose into the bag, and tighten the clamp (see **Figure 2**).

COPYRIGHT © MARCH, 2007 BY GRIZZLY INDUSTRIAL, INC.

WARNING: NO PORTION OF THIS MANUAL MAY BE REPRODUCED IN ANY SHAPE OR FORM WITHOUT THE WRITTEN APPROVAL OF GRIZZLY INDUSTRIAL, INC.

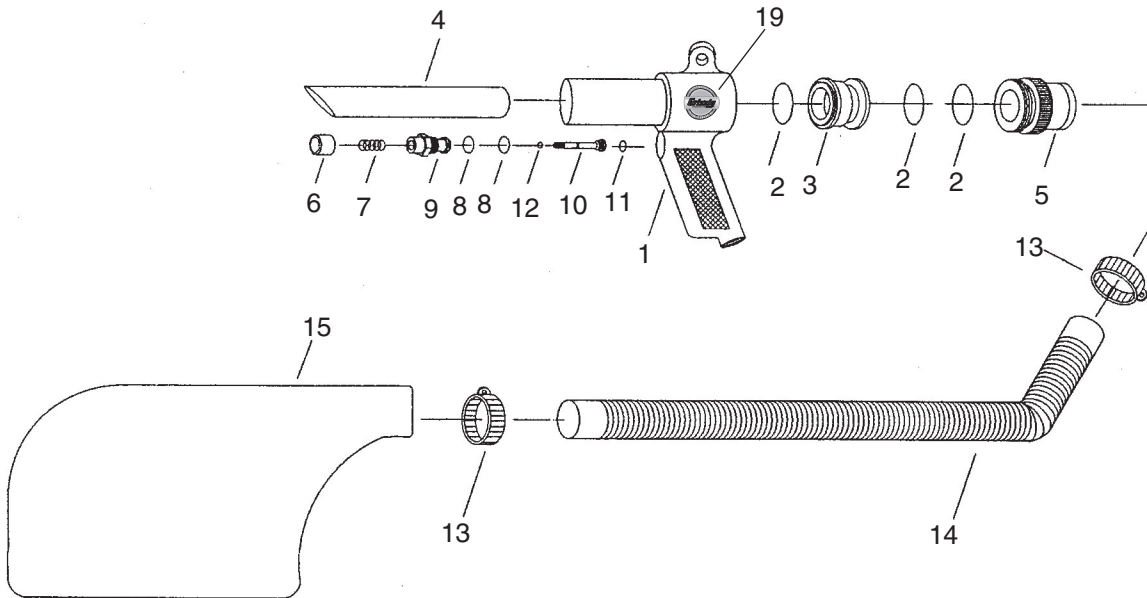
#BL9088 PRINTED IN TAIWAN

Operation

1. Connect the vacuum to compressed air.
2. Pull the trigger to operate the vacuum. Empty the dust collection bag as needed.

If you need help with your new pneumatic tool, call our Tech Support at: (570) 546-9663.

H0587 Parts Breakdown and List



REF	PART #	DESCRIPTION
1	PH0587001	HOUSING
2	POR0029	O-RING 29.8 X 2.6
3	PH0587003	VALVE
4	PH0587004	EXTENSION TUBE
5	PH0587005	END CAP
6	PH0587006	BUTTON
7	PH0587007	COMPRESSION SPRING
8	PORP008	O-RING 7.8 X 1.9 P8

REF	PART #	DESCRIPTION
9	PH0587009	VALVE SEAT
10	PH0587010	VALVE STEM
11	PORP003	O-RING 2.8 X 1.9 P3
12	PORP020	O-RING 19.8 X 2.4 P20
13	PH0587013	HOSE CLAMP
14	PH0587014	FLEXIBLE TUBE
15	PH0587015	DUST BAG
19	PH0587019	GRIZZLY AIR TOOLS LABEL

Free Manuals Download Website

<http://myh66.com>

<http://usermanuals.us>

<http://www.somanuals.com>

<http://www.4manuals.cc>

<http://www.manual-lib.com>

<http://www.404manual.com>

<http://www.luxmanual.com>

<http://aubethermostatmanual.com>

Golf course search by state

<http://golfingnear.com>

Email search by domain

<http://emailbydomain.com>

Auto manuals search

<http://auto.somanuals.com>

TV manuals search

<http://tv.somanuals.com>