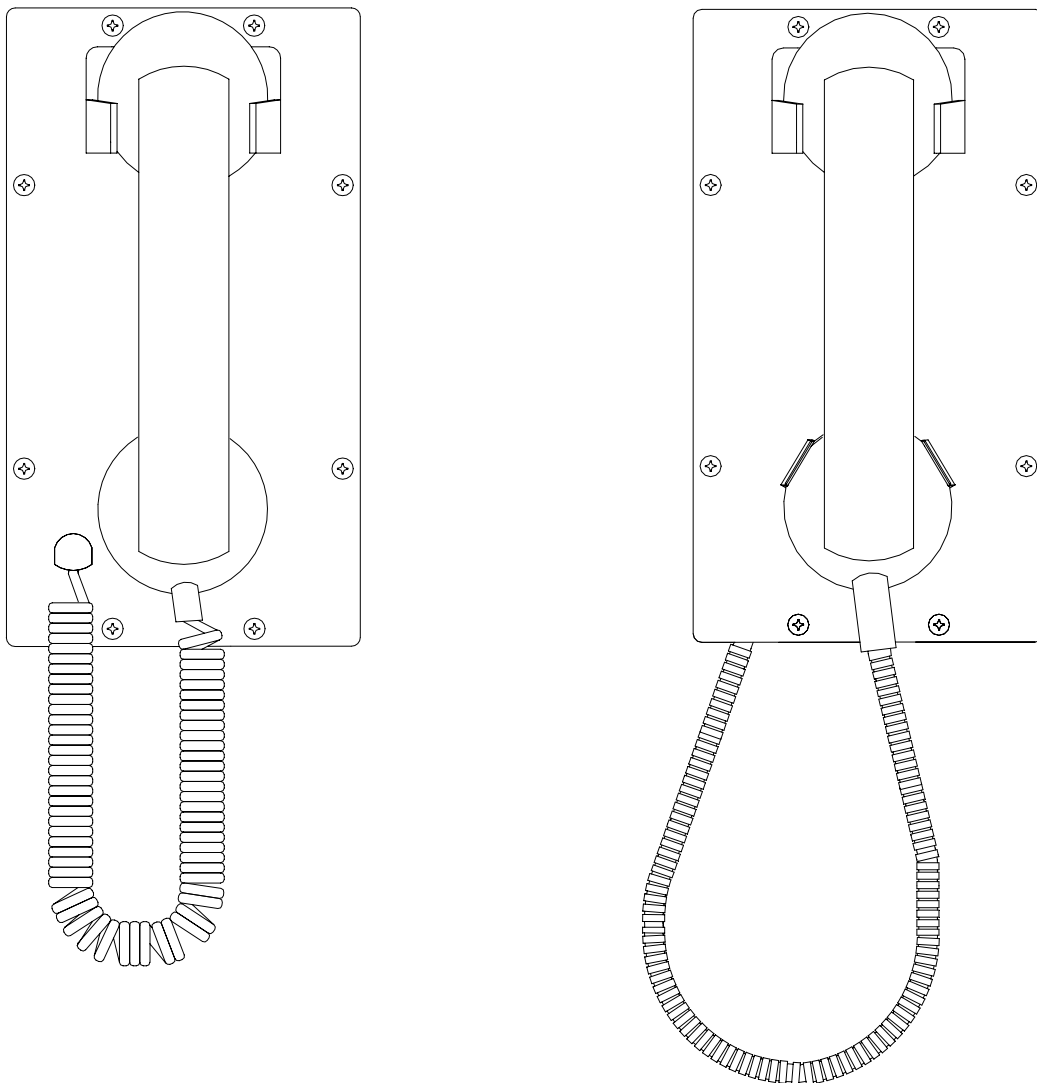


# Industrial Ringdown/Autodialer Telephone SCR-A Series

## Installation & Operation



**SCR-11 A**

**SCR-41 A**

## Table of Contents

|                                   |    |
|-----------------------------------|----|
| Package Contents .....            | 3  |
| SCR-A Models and Options .....    | 3  |
| Options Available.....            | 3  |
| Overview.....                     | 4  |
| Features .....                    | 4  |
| Installing the SCR-A .....        | 7  |
| Operating the SCR-A.....          | 7  |
| Field Repairs & Adjustments ..... | 8  |
| Engineering Specifications .....  | 9  |
| Replacement Parts .....           | 10 |
| Government Certification.....     | 11 |
| Warranty .....                    | 12 |
| Disclaimer.....                   | 12 |
| Warning .....                     | 12 |
| Service Telephone Number.....     | 12 |
| Feedback.....                     | 12 |
| Guardian Product Return.....      | 13 |

## Table of Figures

|   |   |
|---|---|
| Figure 1 - Features .....                     | 5 |
| Figure 2 - Overall Dimensions & Mounting..... | 5 |
| Figure 3 - Installation SCR-11-A.....         | 6 |
| Figure 4 - Installation SCR-41-A.....         | 6 |

## Package Contents

- (1) SCR-A Telephone
- (1) Installation & Operation Manual

## SCR-A Models and Options

| Part No. | Model    | Description                                  |
|----------|----------|--|
| P6056    | SCR-11-A | Heavy Duty Curly Cord                        |
| P6058    | SCR-41-A | Armored Handset Cord & Handset Retainer Clip |

### Options Available

|                            |       |                               |
|----------------------------|-------|-------------------------------|
| 20' Heavy Duty Curly Cord  | (20C) | (Not available with SCR-41-A) |
| Noise Canceling Microphone | (NC)  |                               |

## Overview

### **SCR-A Industrial Ringdown/Autodialer Telephone**

The SCR-A is a rugged industrial telephone designed to provide safe, reliable, point to point communication in harsh environments such as refineries, mills, plants, warehouses or areas with high humidity.

## Features

### **Enclosure**

- 16 AWG steel, zinc dichromate plated and powder coated

### **Epoxy Resin Coating**

- Encapsulates all parts on main circuit board
- Resistant to corrosive agents (eg. H<sub>2</sub>S, SO<sub>2</sub>, and NH<sub>3</sub>), and high humidity

### **Magnetic Reed Hook Switch**

- No moving parts

### **Surge Arrestor**

- Protects the user in the event of a high voltage spike on the telephone line

### **Fuse**

- Prevents damage to the electronic circuits in the event of a high voltage spike on the telephone line

### **Noise Reducing Microphone**

- Allows a high level of intelligibility in locations with high background noise.

### **Heavy Duty Handset Cord (SCR-11-A)**

- Withstands abusive use

### **Armored Handset Cord (SCR-41-A)**

- Vandal resistant

### **Hearing-Aid Compatibility**

- Compatible with inductively coupled hearing-aid devices

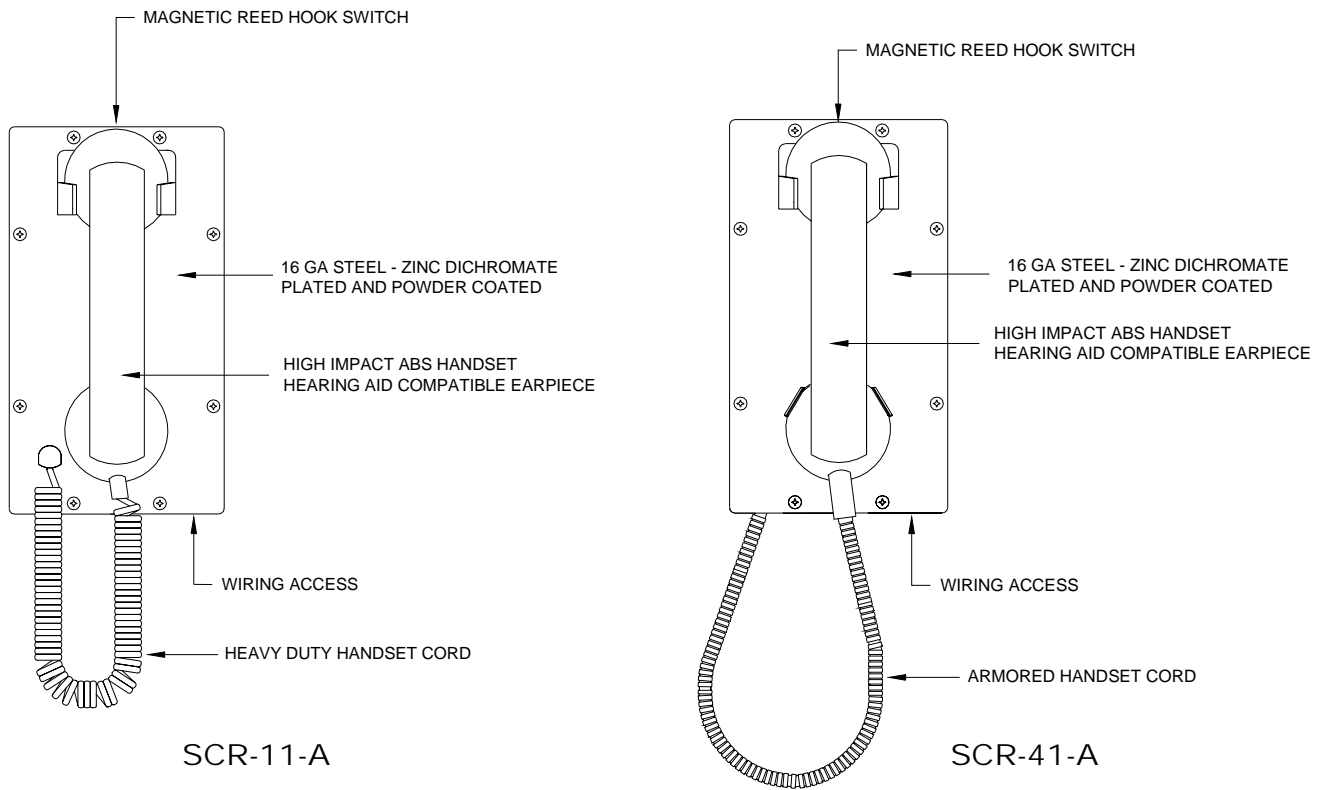


Figure 1 - Features

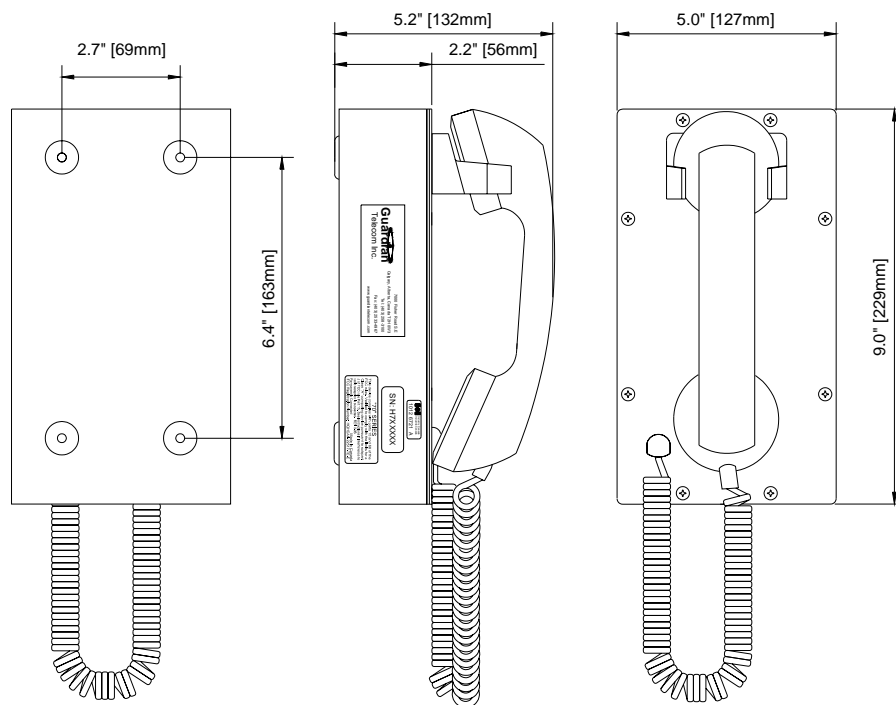


Figure 2 - Overall Dimensions & Mounting

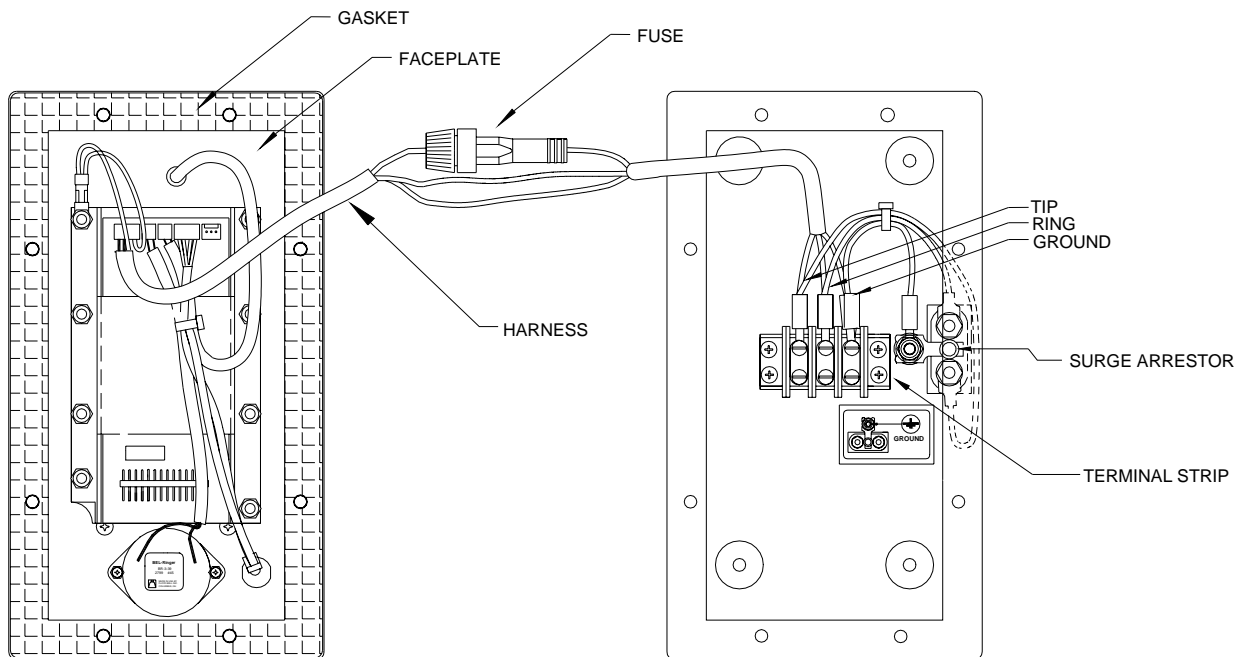


Figure 3 - Installation SCR-11-A

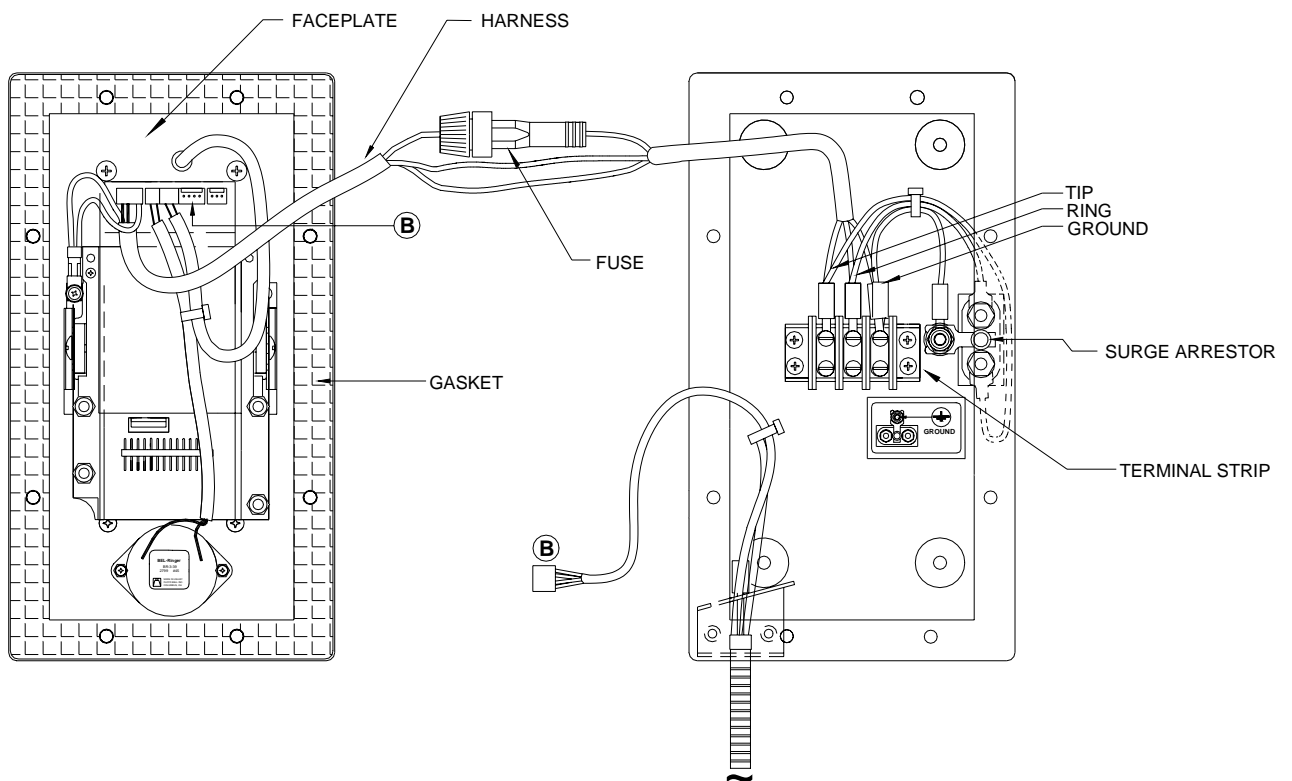


Figure 4 - Installation SCR-41-A

### Installing the SCR-A

- **SCR-A telephones shall be installed by qualified service personnel.**
- Follow all appropriate electrical codes and use only approved electrical fittings for the installation.
- Choose a wall location that is free of obstructions and permits space for ½" NPT conduit runs.
- Ensure mounting can support 4 lbs. (1.8 kg) and any additional foreseeable load.
- Remove the eight (8) cover screws from the front of the unit and carefully remove the front cover assembly. NOTE that the handset and all electronics are attached to the front plate. The front cover may be separated from the back box by disconnecting the harness plugs.
- Attach the back box to the wall at the desired location using four (4) #8 screws. If weather resistance is important in your application select washers that will assist in sealing the mounting holes.
- Install a suitable conduit hub or cable gland in the cable entrance hole at the bottom of the unit.
- Connect an approved earth ground to the terminal block.
- Bring cable into the enclosure through the cable entrance and attach individual wires from the exchange – Tip/Ring/Ground – to the surge arrester (Tip & Ring are not polarity sensitive).

*See: Figure 2 - Overall Dimensions & Mounting.*

*See: Figure 3 - Installation SCR-11-A & Figure 4 - Installation SCR-41-A.*

#### **WARNING**

***Protective earthing terminal of the phone shall be properly hardwired to a protective earth system.***

- Apply power to the system.
- Test the unit by calling to and from another unit on the exchange.

### Operating the SCR-A

- The SCR-A Ringdown/Autodialer phone is designed for automatic calling simply by removing the handset from the cradle.

#### **WARNING**

***Due to magnetic fields, it is possible that dangerous objects may get trapped within the earcap region of this device.***

### Field Repairs & Adjustments

Field repairs may only be carried out by qualified technicians using OEM parts. Substitution of parts voids warranty and may pose a hazard to users of the equipment.

**See:** *Replacement Parts*

- Disconnect the telephone from Tip and Ring power supplied by the PABX or central office before attempting repairs.
- Carefully remove the front cover assembly and separate from the housing by disconnecting the harness plugs. NOTE that the handset and all electronics are attached to the front plate.
- Perform the necessary repairs or adjustments.
- Carefully replace the front plate and install all eight screws. Do not over tighten the cover screws, there is a flexible gasket between the cover and the body. Excessive tightening of the screws deforms the gasket and reduces the weather resistance of the set.

**See:** *Figure 3 - Installation SCR-11-A*

**Note:** *Ensure that connections are secure before replacing faceplate.*

#### Fuse Replacement

- Remove the old fuse by pushing in the end cap of the fuse holder and turning counterclockwise to open. Insert a new 0.25 amp, 250Volt, 3AG fast blow fuse and close the fuse holder.

### WARNING!

- Replace only with a 0.25 amp 250V 3AG fast blow fuse. Failure to do so will void the warranty.
- If, on reconnecting power, the fuse fails, check the telephone system wiring. The fuse protects the Tip and Ring line from the telephone system. It is usually powered at 48 volts DC and must not be connected to 120 volts AC.



| <b>Engineering Specifications</b>     |  |
|---------------------------------------|--|
| <b><i>ELECTRICAL PERFORMANCE</i></b>  |  |
| AUDIBLE RANGE FREQUENCY RESPONSE      | 300 – 3400 Hz  |
| SEND LOUDNESS RATING (SLR) dB         | SHORT 8 dB +/- 4 dB                                      |
| RECEIVE LOUDNESS RATING (RLR) dB      | SHORT -4 dB +/- 4 dB                                     |
| SIDE TONE MASKING RATING (STMR)       | >11 dB   |
| RINGER OUTPUT                         | 75 dB MAX  |
| RINGER EQUIVALENCE                    | 0.5  |
| SET IMPEDANCE                         | 600 OHMS NOMINAL   |
| MAXIMUM LOOP                          | 15,000 FEET (4,600 METERS) OF 22 AWG COPPER              |
| <b><i>ELECTRICAL REQUIREMENTS</i></b> |  |
| RINGER SENSITIVITY                    | 40 – 100 V, 16 – 25 Hz                                   |
| LINE VOLTAGE                          | 24 – 56 VDC  |
| LOOP CURRENT                          | 20 - 120 MA  |
| CONNECTION METHOD                     | SURGE ARRESTOR / TERMINAL BLOCK                          |
| <b><i>ENVIRONMENTAL</i></b>           |  |
| WEATHERPROOF                          | ENCLOSURE NEMA 3R  |
| TEMPERATURE                           | -40° TO +50° C   |
| <b><i>MECHANICAL</i></b>              |  |
| HOOK SWITCH (CRADLE SWITCH) LIFE      | >1 000 000 OPERATIONS                                    |
| BODY CONSTRUCTION                     | 16 GAUGE STEEL, ZINC DICHROMATE PLATED AND POWDER COATED |
| DIMENSIONS                            | 9 X 5 X 5.2 INCHES (229 X 127 X 132 MM)                  |
| NET WEIGHT                            | 4 LBS (1.82 KG)  |
| HANDSET MATERIAL                      | HIGH IMPACT ABS  |
| MICROPHONE                            | NOISE REDUCING ELECTRET                                  |
| OPTIONAL MICROPHONE                   | NOISE CANCELING DYNAMIC                                  |
| RECEIVER                              | HEARING AID COMPATIBLE                                   |
| STANDARD MOUNTING                     | VERTICAL WALL  |
| CONNECTION FITTINGS                   | 7/8" DIAM. OPENING FOR OWNER SUPPLIED FITTING            |
| HARDWARE MATERIAL                     | STAINLESS STEEL  |
| <b><i>COMPLIANCES</i></b>             |  |
| ACA                                   | N14510   |
| INDUSTRY CANADA                       | 1012 6721 A  |
| FCC                                   | HQHCAN-22517-TE-E  |

## Replacement Parts

| Part No. | Description  |
|----------|--|
| P004026  | Faceplate SCR-11-A                                   |
| P006263  | Faceplate SCR-41-A                                   |
| P003022  | Handset Shell C/W 22" Armored Cord                   |
| P002294  | Handset Shell Only                                   |
| P002554  | Cord – Handset 6'                                    |
| P002786  | Handset Cradle                                       |
| P004371  | Handset Retainer – SCR-41-A Only                     |
| P000028  | Microphone Cartridge – Noise Reducing                |
| P004538  | Microphone Cartridge – Noise Canceling               |
| P002080  | Receiver Cartridge                                   |
| P006307  | Handset Assembly – C/W 6' Curly Cord For SCR-11-A    |
| P004259  | Handset Assembly – C/W 22" Armored Cord For SCR-41-A |
| P006281  | Telephone Circuit Board                              |
| P002782  | Ringer - Floyd Bell BR-3-39                          |
| P005917  | Reed Switch  |
| P002992  | Surge Arrestor – TII 126L1                           |
| P002991  | Fuse - Glass 0.25 Amp 250V                           |
| P002840  | Housing SCR-11-A                                     |
| P004152  | Housing SCR-41-A                                     |
| P002787  | Gasket – Faceplate                                   |

### **Government Certification**

Attached to the telephone is a label for the Australian Communications Authority. This identifies equipment certifications indicating the SCR-A series telephones meet certain telecommunications network protective, operational and safety requirements. This agency does not guarantee the equipment will operate to the user's satisfaction.

Before installing this telephone equipment, users should ensure it is permissible to connect the equipment to facilities of the local telecommunications company.

Equipment must be installed using acceptable connection methods. In some cases, the telephone users inside wiring, associated with a single line service, may be extended by a certified connector assembly (telephone extension cord). The customer should be aware that in some situations compliance with the above conditions may not prevent degradation of service.

Repairs to certified equipment should be made by a supplier designated authorized maintenance facility.

For their own protection users should ensure the electrical ground connections of the power utility, telephone lines and internal metallic water pipe systems, if present, are connected. This precaution may be particularly important in rural areas.

**CAUTION:** Users should not attempt to make ground connections, but should contact the appropriate electrical inspection authority or electrician.

#### ***Notification to Telephone Company***

Upon request, the customer must notify the telephone company of the particular line to which the connection will be made and provide the Australian Communications Authority registration number. The local telephone company may request disconnection of the telephone where alterations or malfunctions affect the telephone's performance.

#### ***ACA Rules and Ringer Equivalence Number***

This equipment complies with the regulation AS/ACIF S002:2001 Australian Standard Analogue internetworking and non-interference requirements for customer equipment for connection to public switched telephone networks. On the side of this equipment is a label that contains, among other information, the ACA registration number and ringer equivalence number (REN) for this equipment. If requested, this information must be provided to the telephone company.

The REN is used to determine the quantity of devices which may be connected to the telephone line. Excessive RENs on the telephone line may result in the devices not ringing in response to an incoming call. In most, but not all areas, the sum of the RENs should not exceed three. To be certain of the number of devices that may be connected to the line, as determined by the total RENs, contact the telephone company to determine the maximum REN for the calling area.

#### ***Service changes and Limitations***

The telephone company may make changes in its facilities, equipment, operations, or procedures that could affect the operation of the equipment. If this happens, the telephone company will provide advance notice in order for you to make the necessary modifications in order to maintain uninterrupted service.

This equipment can not be used on public coin telephone service as provided by your telephone company. Connection to party line service is subject to state tariffs (contact the state public utility commission, public service commission or corporate commission for information.)

### Warranty

Guardian Telecom warrants your product to be free of defects in material and workmanship for a period of one year. Guardian Telecom will repair or replace any defective unit that is under warranty

This warranty is null and void if any non-authorized modifications have been made to this product, or if it has been subjected to misuse, neglect, or accident. This warranty covers bench repairs only; such repairs must be made at Guardian Telecom or an authorized service depot. Guardian Telecom is not responsible for costs incurred for on-site service calls, freight, or brokerage.

***A return authorization must be obtained prior to warranty claims or repairs.***

### Disclaimer

The products covered by this manual are designed for use in Industrial Environments and/or Hazardous Locations. Due to the range of possible applications for these instruments the manufacturer will not be responsible for damages or losses of any kind suffered as a result of the use of this product, including consequential damages.

### Warning

This device may be opened and reassembled by qualified personnel only, for the purposes of installing the product, making adjustments and replacing components, following the instructions in the product manual.

**High voltages may be present in this product when connected to telephone wiring.**

### Service Telephone Number

#### **1-800-363-8010 (North America)**

Guardian Telecom provides a customer service telephone number which is toll-free within North America. The Authorized Dealer/Service Depot is listed below for your area. If you need assistance when installing or operating this product, please call the toll-free telephone number or the Authorized Service Depot between regular business hours (8:00AM-5:00PM). If you are calling outside regular business hours, please leave a detailed message, and a member of Guardian Telecom's Service Department will return your call as soon as possible. If your product requires service, Guardian personnel will supply you with an RMA (return materials authorization) number over the telephone or through our web site product return page at <http://www.guardiantelecom.com>. This number must be included with your return address and the name of the person to contact.

**Qmax Group Pty Ltd  
21 Jubaea Crt  
Canning Vale  
Western Australia 6155  
Phone (08) 9455-4671  
Fax (08) 6210-1749  
Email : [info@qmax.net.au](mailto:info@qmax.net.au)  
*(Click to open message box)***

### Feedback

Guardian Telecom continually strives to make reliable, durable, and easy to use products. If you, as an installer or user of our equipment, have any suggestions for improvements to this or any of our products or documents, including this manual, we would appreciate hearing from you.

| <b>Guardian Product Return</b>  |
|---|
| Guardian products have been quality tested and are in full working order when shipped from the factory, given the rugged nature of these products, shipping is not expected to damage a unit. In the unlikely event of a malfunction, Guardian follows the three step procedure below.  |
| <b><i>Step I - On-Site Correction</i></b>   |
| <ul style="list-style-type: none"> <li>• The most common source of difficulties with a new product is improper installation in one of two ways: incorrect wiring connections or connection to an incorrect power source.</li> </ul>   |
| <ul style="list-style-type: none"> <li>• Product wiring needs to be properly connected to the on-site wiring. Correct wiring instructions are shown in the user manual included with the product.</li> </ul>  |
| <ul style="list-style-type: none"> <li>• Connecting a telephone to a standard power source, rather than tip &amp; ring, will blow the telephone's internal, user-replaceable fuse. In the event of fuse burn-out, disconnect the telephone from the power source, replace the fuse, and reconnect following the wiring diagrams provided with the product.</li> </ul>   |
| <b><i>Step II - Return Materials Authorization (RMA)</i></b>  |
| <ul style="list-style-type: none"> <li>• When a product has been installed following user manual instructions, and the unit fails to operate, the user must contact Guardian Telecom to obtain authorization to return the product. This can be done by completing a RMA form online at <a href="http://www.guardiantelecom.com">www.guardiantelecom.com</a>, or by calling the service telephone number given in this manual.</li> </ul> |
| <ul style="list-style-type: none"> <li>• After providing information on the product, the owner and the nature of the problem, Guardian will issue a RMA number, to be shown on documentation returned with the product.</li> </ul>  |
| <ul style="list-style-type: none"> <li>• In addition to the RMA number, shipping documents should include name, address and telephone number of the owner along with contact information for the person responsible for the repair and/or the user who identified the malfunction.</li> </ul>   |
| <ul style="list-style-type: none"> <li>• (Where a product is being returned for repair from outside of Canada, customs documentation must show the product's serial number, date of export [date of purchase], and a notation that the equipment is: "Canadian goods returning.")</li> </ul>  |
| <b><i>Step III - Factory Authorized Service</i></b>   |
| <ul style="list-style-type: none"> <li>• Once received, each product is carefully inspected and tested. If the product is under warranty, repairs are completed and the product returned to the owner, generally within five working days of receipt by the factory.</li> </ul>   |
| <ul style="list-style-type: none"> <li>• A product that has been subjected to misuse, neglect or accident or is beyond the warranty period will be evaluated. The service department will provide the owner's representative with a repair cost estimate. Once approved, repairs are completed and the product returned, generally within five working days.</li> </ul>   |











**Guardian Telecom Inc.**  
**7552 - 10th Street N.E.**  
**Calgary, Alberta, Canada T2E 8W1**  
**Toll-free 1-800-363-8010**  
**Ph. (403) 258-3100**  
**Fax. (403) 253-4967**  
**www.guardiantelecom.com**  
**E-mail: <mailto:sales@guardiantelecom.com>**  
*(Click to open message box)*

***Industrial Communications Worldwide***

© Guardian Telecom Inc. 2005

## Free Manuals Download Website

<http://myh66.com>

<http://usermanuals.us>

<http://www.somanuals.com>

<http://www.4manuals.cc>

<http://www.manual-lib.com>

<http://www.404manual.com>

<http://www.luxmanual.com>

<http://aubethermostatmanual.com>

Golf course search by state

<http://golfingnear.com>

Email search by domain

<http://emailbydomain.com>

Auto manuals search

<http://auto.somanuals.com>

TV manuals search

<http://tv.somanuals.com>