



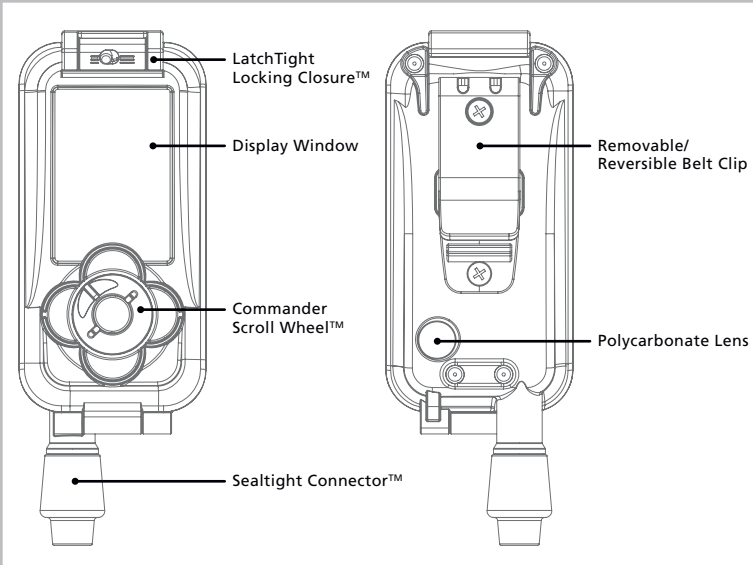
**h2oaudio**  
www.h2oaudio.com

**CAPTURE**  
Waterproof Case™

Designed for  
 iPod nano  
 5th generation (video camera)  
 8GB 16GB

**Customer Support:**  
Monday - Friday 9AM to 5PM PT  
www.h2oaudio.com

P. 800-708-6080 or 858-623-0339  
F. 858-225-0815  
E. support@h2oaudio.com



**Introduction**

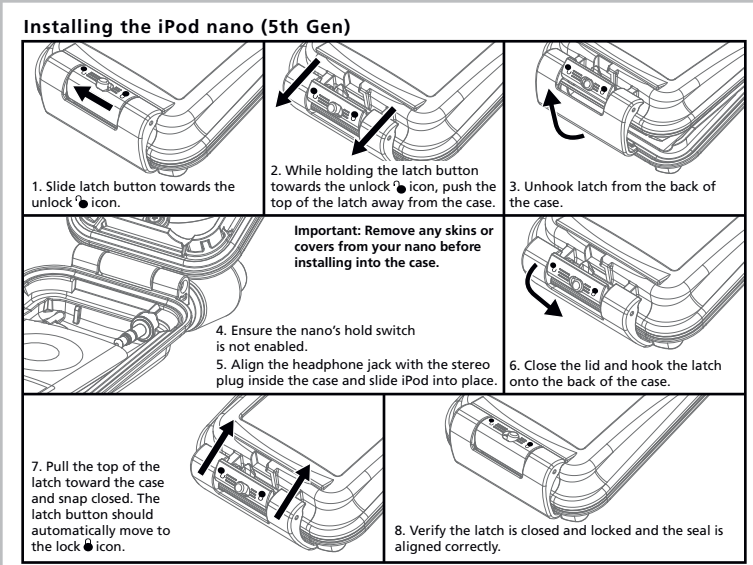
The H2O Audio Capture Waterproof Case™ allows you to utilize all of your favorite iPod nano (5th Gen) features including music playback and video recording, in, around, and under water.

**Using Your Waterproof Case the First Time**

Before using your H2O Audio Capture Waterproof Case for the first time, it is highly recommended that you become familiar with opening and closing the case to ensure it is sealed properly during use. To verify that you have sealed the case properly we recommend that you test the product without an iPod nano (5th Gen) inside before initial use. Please follow the instructions below.

1. Open the case and verify the seal area is clean and free of debris or damage.
2. Close and lock the case without the iPod nano (5th Gen) inside.
3. Attach H2O Audio Waterproof Headphones (sold separately).
4. Submerge the system in water and soak for 30 min.
5. Manipulate the scroll wheel and push button controls during submersion.
6. Remove from water and dry exterior so water does not fall inside when opened.
7. Open the case and ensure there is no water inside.

**Do not use if water is found inside the case.**  
**Please contact H2O Audio Customer Support immediately.**



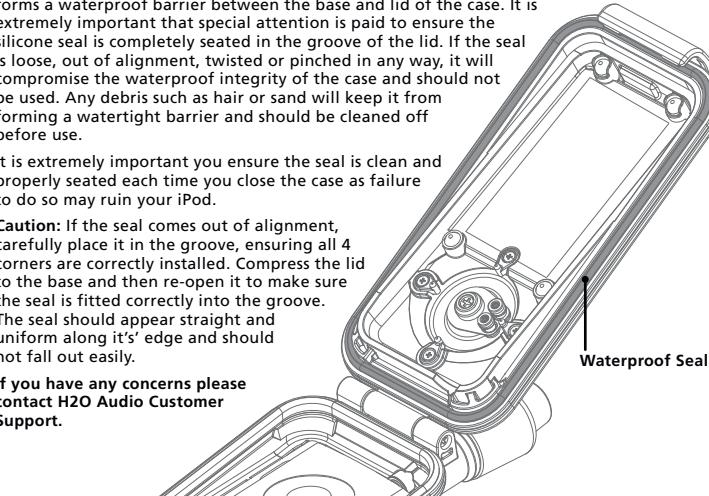
**Checking the Waterproof Seal**

The H2O Audio Capture Waterproof Case features a removable, black silicone seal that forms a waterproof barrier between the base and lid of the case. It is extremely important that special attention is paid to ensure the silicone seal is completely seated in the groove of the lid. If the seal is loose, out of alignment, twisted or pinched in any way, it will compromise the waterproof integrity of the case and should not be used. Any debris such as hair or sand will keep it from forming a watertight barrier and should be cleaned off before use.

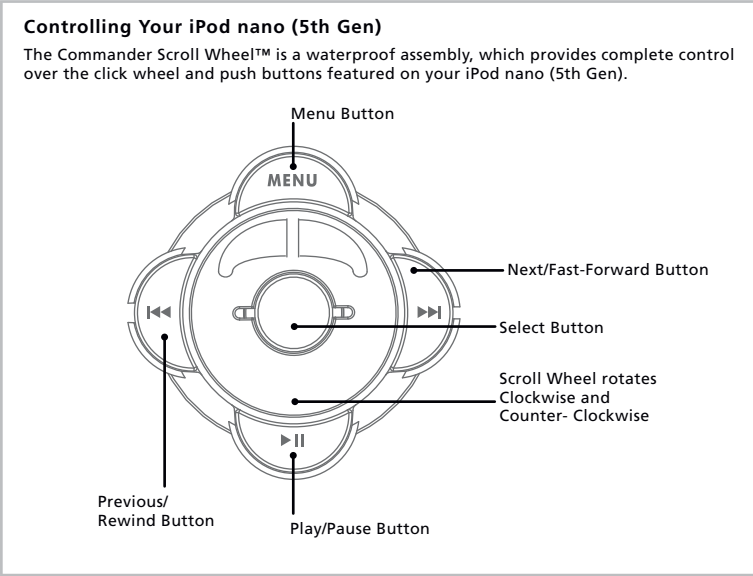
It is extremely important you ensure the seal is clean and properly seated each time you close the case as failure to do so may ruin your iPod.

**Caution:** If the seal comes out of alignment, carefully place it in the groove, ensuring all 4 corners are correctly installed. Compress the lid to the base and then re-open it to make sure the seal is fitted correctly into the groove. The seal should appear straight and uniform along it's edge and should not fall out easily.

If you have any concerns please contact H2O Audio Customer Support.



Waterproof Seal

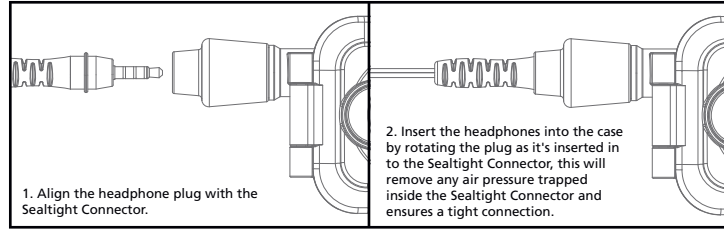


**Connecting Your Headphones**

The SealTight Connector™ featured on the H2O Audio Capture Waterproof Case is designed to create a 100% waterproof connection with H2O Audio Waterproof Headphones (sold separately).

The case should not be submerged under water for long periods of time without H2O Audio Waterproof Headphones plugged in as water could enter the case through the headphone jack.

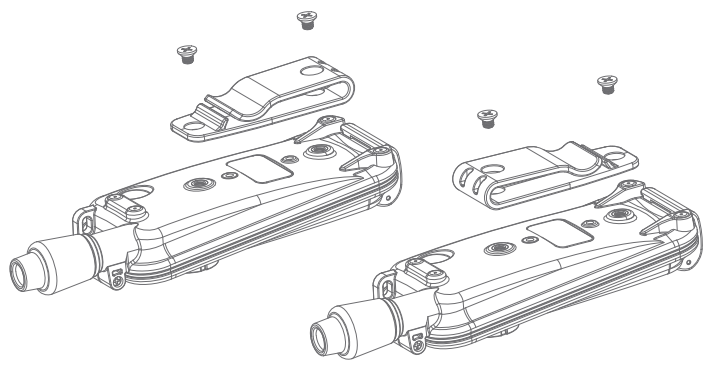
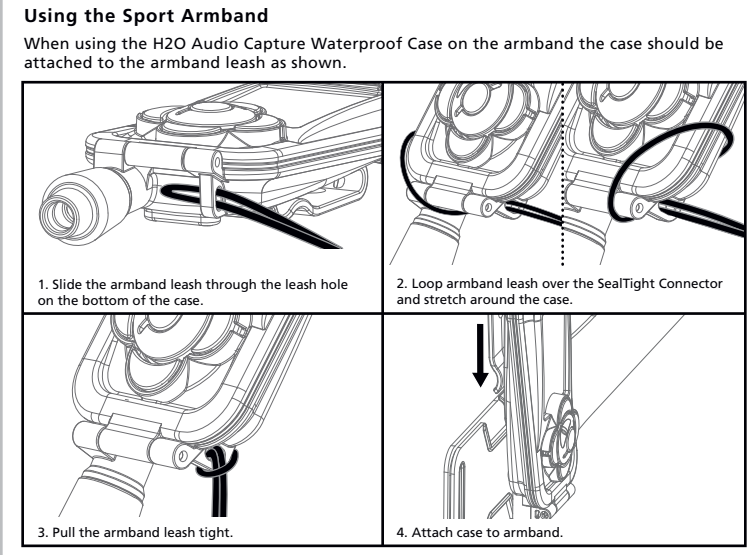
If your case falls into the water while using standard, non-waterproof headphones, we suggest you remove it from the water as soon as possible.



1. Align the headphone plug with the SealTight Connector.
2. Insert the headphones into the case by rotating the plug as it's inserted in to the SealTight Connector, this will remove any air pressure trapped inside the SealTight Connector and ensures a tight connection.

**Using the Belt Clip**

Your H2O Audio Capture Waterproof Case comes with a removable, reversible belt clip and a neoprene sports armband suitable for most active sports. The belt clip is held in place by two screws that can be installed using a standard Phillips-head screwdriver. The belt clip can be reversed to change the access direction of the headphone jack.

**Maintaining Your Waterproof Case**

**Waterproof Case**

Your H2O Audio Capture Waterproof Case is completely waterproof. After in-water use, rinse your case off with clean water and let it air dry for your next use. Strong detergents, soaps, and chemicals should never be used to clean the case.

Do not expose the case to extreme heat, such as the inside of a hot car, or in hot direct sunlight, such as on a beach, or boat deck. Doing so may cause damage and subsequent flooding.

For long-term storage, store in a plastic bag out of direct sunlight.

**Silicone Seal**

To clean the silicone seal, remove it from the case and wash with warm fresh water. Strong detergents, soaps, and chemicals should never be used to clean the silicone seal. Allow seal to air dry and install back into the case.

The life of the silicone seal is typically one year. A replacement seal has been provided. Please contact H2O Audio Customer Support for additional seals.

The seal does not require lubrication. Do not use silicone grease to lubricate the seal.

**Sport Armband**

To clean the Sport Armband, wash gently by hand, with mild detergent. Allow to air dry out of direct sunlight. Do not tumble dry.

**FAQs**

**1. What happens if the waterproof headphones become disconnected from the case?**

*As long as the case is not submerged under water for long periods of time, it should be fine. The longer the case is submerged under water, the higher the possibility water can enter the case through the stereo jack. In an incident that the headphones detach from the case, we suggest getting that connection back together as soon as possible.*

**2. What headphones are compatible with H2O Audio Waterproof Cases?**

*H2O Audio Waterproof Cases are designed to work with H2O Audio Waterproof Headphones and standard 3.5mm headphones.*

*The case should not be submerged under water for long periods of time without H2O Audio Waterproof Headphones plugged in as water may be able to enter the case through the stereo jack.*

**3. Can H2O Audio Waterproof Cases be taken into a hot tub or sauna?**

*Yes. Although users should not take their H2O Audio Waterproof Case into environments where the temperature fluctuates drastically as internal condensation may form (i.e. from a cold pool to a hot sauna or hot tub).*

**NOTE: For more FAQs please visit [www.h2oaudio.com/faq](http://www.h2oaudio.com/faq)**

**Safety Information**

Please read this manual carefully. If you have any questions please contact H2O Audio Customer Service prior to use.

Improper use of this system may cause the user to make mistakes or decisions that may lead to serious injury or death.

Always make sure to have the audio player volume turned to zero and the headphones turned away from the ears when turning on the audio player. If the volume level is not zero when the audio player is turned on, it may cause ear injury due to a sudden burst of volume. The volume should be slowly increased with an audio track playing to set the speaker volume to comfortable output levels prior to positioning the headphones next to the ears. Hearing experts advise against continuously loud and extended play. If you experience ringing in your ears, reduce volume or discontinue use.

It can be potentially dangerous to use headphones while engaging in activities that require your full attention. You should exercise extreme caution or discontinue use in potentially hazardous situations. Do not use the headphones while driving, cycling, or operating any motorized vehicle. It may create a traffic hazard and is illegal in some areas. Those users that elect to utilize this system at, or near, the water's surface, must maintain safety awareness of moving water crafts

**WARNING:** Contains small parts which may be a choking hazard. Not suitable for children under 3 years old.

**Warranty Coverage**

H2O Audio guarantees, to the original purchaser only, that the equipment purchased is free of defects in material and/or workmanship under normal recreational use for a period of one year (1) from date of consumer purchase from an Authorized Dealer; provided that proper care and maintenance have been performed as prescribed by the owner's guide included with the equipment. Should this product prove to be defective for any reason (other than those listed as limitations below) the product will be serviced or replaced at H2O Audio's sole discretion at no charge (excluding shipping and handling). This warranty shall be void if the equipment has been tampered with by anyone not authorized to perform service. The warranty is non-transferable and extends to the original purchaser only and is valid only if the equipment was purchased from an Authorized Dealer. Warranty does not extend to cover damage from accident, abuse, tampering, lack of maintenance, theft, or loss. Service or modifications by anyone other than an Authorized H2O Audio agent will void the warranty. H2O Audio will not be responsible for recovery or replacement of the product in the event of loss or theft. H2O Audio, its Authorized International Distributors, and Authorized Dealers make no other warranties, either express or implied or orally, or in writing, with respect to any other warranty coverage except those expressly stated within the preceding sentences. H2O Audio will not be held responsible for any agreements orally or in writing with the exception of those expressly included in this warranty statement. The warranty registration and the terms contained herein supersede all statements contained in any and all owner's guides, instruction cards, or other equipment literature or catalogs. In no event will H2O Audio, its Authorized International Distributors, and Authorized Dealers be held responsible or liable for any personal injuries resulting from the use of the covered equipment, or for any other damages, whether direct, indirect, incidental, or consequential; even if H2O Audio has been advised of such damages.

**Double Your Warranty Offer**

If you register your product online at [www.h2oaudio.com/productregistration](http://www.h2oaudio.com/productregistration) we'll double your warranty from 1 year to 2 years.

**Return Authorization**

Prior to any return, a Return Authorization (RA) number must be obtained. To receive an RA number, go online to [www.h2oaudio.com/ra](http://www.h2oaudio.com/ra) and follow the instructions on how to return a product. Proof of purchase from an Authorized Dealer will be required.

**Copyright Notice:** This owner's manual is copyrighted, all rights reserved. It may not, in whole or in part, be copied, photocopied, reproduced, translated, or formed into any electronic format without prior consent in writing. H2O Audio is a registered trademark of H2O Audio, Inc. Apple, iPod and iPod nano are trademarks of Apple Inc., registered in the U.S. and other countries. Apple is not responsible for the operation of this device or its compliance with safety and regulatory standards. H2O Audio products are protected by US Patents 6396769, 6614722, 6954405, 7263032, 7535799 and Others Pending.

Download from [Www.Somanuals.com](http://Www.Somanuals.com). All Manuals Search And Download.

**Introduction**

The H2O Audio Capture Waterproof Case™ allows you to utilize all of your favorite iPod nano (5th Gen) features including music playback and video recording, in, around, and under water.

**Using Your Waterproof Case the First Time**

Before using your H2O Audio Capture Waterproof Case for the first time, it is highly recommended that you become familiar with opening and closing the case to ensure it is sealed properly during use. To verify that you have sealed the case properly we recommend that you test the product without an iPod nano (5th Gen) inside before initial use. Please follow the instructions below.

1. Open the case and verify the seal area is clean and free of debris or damage.
2. Close and lock the case without the iPod nano (5th Gen) inside.
3. Attach H2O Audio Waterproof Headphones (sold separately).
4. Submerge the system in water and soak for 30 min.
5. Manipulate the scroll wheel and push button controls during submersion.
6. Remove from water and dry exterior so water does not fall inside when opened.
7. Open the case and ensure there is no water inside.

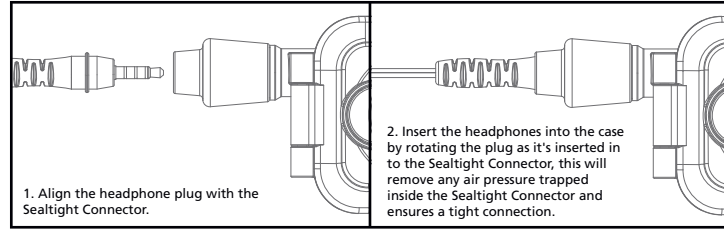
**Do not use if water is found inside the case.**  
**Please contact H2O Audio Customer Support immediately.**

**Connecting Your Headphones**

The SealTight Connector™ featured on the H2O Audio Capture Waterproof Case is designed to create a 100% waterproof connection with H2O Audio Waterproof Headphones (sold separately).

The case should not be submerged under water for long periods of time without H2O Audio Waterproof Headphones plugged in as water could enter the case through the headphone jack.

If your case falls into the water while using standard, non-waterproof headphones, we suggest you remove it from the water as soon as possible.



1. Align the headphone plug with the SealTight Connector.
2. Insert the headphones into the case by rotating the plug as it's inserted in to the SealTight Connector, this will remove any air pressure trapped inside the SealTight Connector and ensures a tight connection.

**FAQs**

**1. What happens if the waterproof headphones become disconnected from the case?**

*As long as the case is not submerged under water for long periods of time, it should be fine. The longer the case is submerged under water, the higher the possibility water can enter the case through the stereo jack. In an incident that the headphones detach from the case, we suggest getting that connection back together as soon as possible.*

**2. What headphones are compatible with H2O Audio Waterproof Cases?**

*H2O Audio Waterproof Cases are designed to work with H2O Audio Waterproof Headphones and standard 3.5mm headphones.*

*The case should not be submerged under water for long periods of time without H2O Audio Waterproof Headphones plugged in as water may be able to enter the case through the stereo jack.*

**3. Can H2O Audio Waterproof Cases be taken into a hot tub or sauna?**

*Yes. Although users should not take their H2O Audio Waterproof Case into environments where the temperature fluctuates drastically as internal condensation may form (i.e. from a cold pool to a hot sauna or hot tub).*

**NOTE: For more FAQs please visit [www.h2oaudio.com/faq](http://www.h2oaudio.com/faq)**

**Safety Information**

Please read this manual carefully. If you have any questions please contact H2O Audio Customer Service prior to use.

Improper use of this system may cause the user to make mistakes or decisions that may lead to serious injury or death.

Always make sure to have the audio player volume turned to zero and the headphones turned away from the ears when turning on the audio player. If the volume level is not zero when the audio player is turned on, it may cause ear injury due to a sudden burst of volume. The volume should be slowly increased with an audio track playing to set the speaker volume to comfortable output levels prior to positioning the headphones next to the ears. Hearing experts advise against continuously loud and extended play. If you experience ringing in your ears, reduce volume or discontinue use.

It can be potentially dangerous to use headphones while engaging in activities that require your full attention. You should exercise extreme caution or discontinue use in potentially hazardous situations. Do not use the headphones while driving, cycling, or operating any motorized vehicle. It may create a traffic hazard and is illegal in some areas. Those users that elect to utilize this system at, or near, the water's surface, must maintain safety awareness of moving water crafts

**WARNING:** Contains small parts which may be a choking hazard. Not suitable for children under 3 years old.

# Silicone Seal Replacement Instructions



The H2O Audio Capture Waterproof Case™ features a removable, black silicone seal that forms a waterproof barrier between the base and lid of the case. It is extremely important that special attention is paid to ensure the seal is completely seated in the groove of the lid. If the seal is loose, out of alignment, twisted or pinched in any way, it will compromise the waterproof integrity of the case and should not be used. Any debris such as hair or sand will keep it from forming a watertight barrier and should be cleaned off before use.

The life of the seal is typically one year. A replacement seal has been provided for annual replacement, accidental damage, loss, overexposure to direct sunlight, or if the seal has become misshaped through misuse. Please contact H2O Audio Customer Support for additional silicone seals.

## Replacing the Seal

1. Unlatch and open case.
2. Starting at any corner, gently remove the seal. Do not stretch or pull on the seal.



3. To install a new or clean seal, start at any corner, push the seal into the corner and run your finger along the seal to ensure it is seated completely on all four sides and corners.



4. Gently close the lid and lock the latch. The lid should close without any resistance. If you experience any resistance when closing the case please call customer service immediately.

## Replacing the Seal

5. Visually inspect the outside of the case and ensure the seal is installed correctly. If the seal is dirty, out of alignment, twisted or pinched in any way it will compromise the integrity of the case and should not be used.



**This seal is correctly seated in a closed case, sealing the case and protecting the iPod from water.**



**This seal is misaligned and has been pinched between the base and the lid, leaving an opening that will allow water to flood the case.**

## Cleaning and Storing the Seal

It is extremely important that you keep the seal clean and free of sand, dirt, hair, lint, and other debris.

To clean the seal, remove it from the case and wash with warm fresh water. Strong detergents, soaps, and chemicals should never be used to clean the seal. Allow seal to air dry and install back into the case.

Do not expose the case to extreme heat, such as the inside of a hot car, or in hot direct sunlight, such as on a beach, or boat deck. Doing so may cause damage and subsequent flooding.

The seal does not require lubrication. Do not use silicone grease to lubricate the seal.

**Customer Support is available:**  
Monday - Friday 9AM to 5PM PT

[www.h2oaudio.com](http://www.h2oaudio.com)  
P. 800-708-6080 or 858-623-0339  
F. 858-225-0815  
E. [support@h2oaudio.com](mailto:support@h2oaudio.com)

## Free Manuals Download Website

<http://myh66.com>

<http://usermanuals.us>

<http://www.somanuals.com>

<http://www.4manuals.cc>

<http://www.manual-lib.com>

<http://www.404manual.com>

<http://www.luxmanual.com>

<http://aubethermostatmanual.com>

Golf course search by state

<http://golfingnear.com>

Email search by domain

<http://emailbydomain.com>

Auto manuals search

<http://auto.somanuals.com>

TV manuals search

<http://tv.somanuals.com>