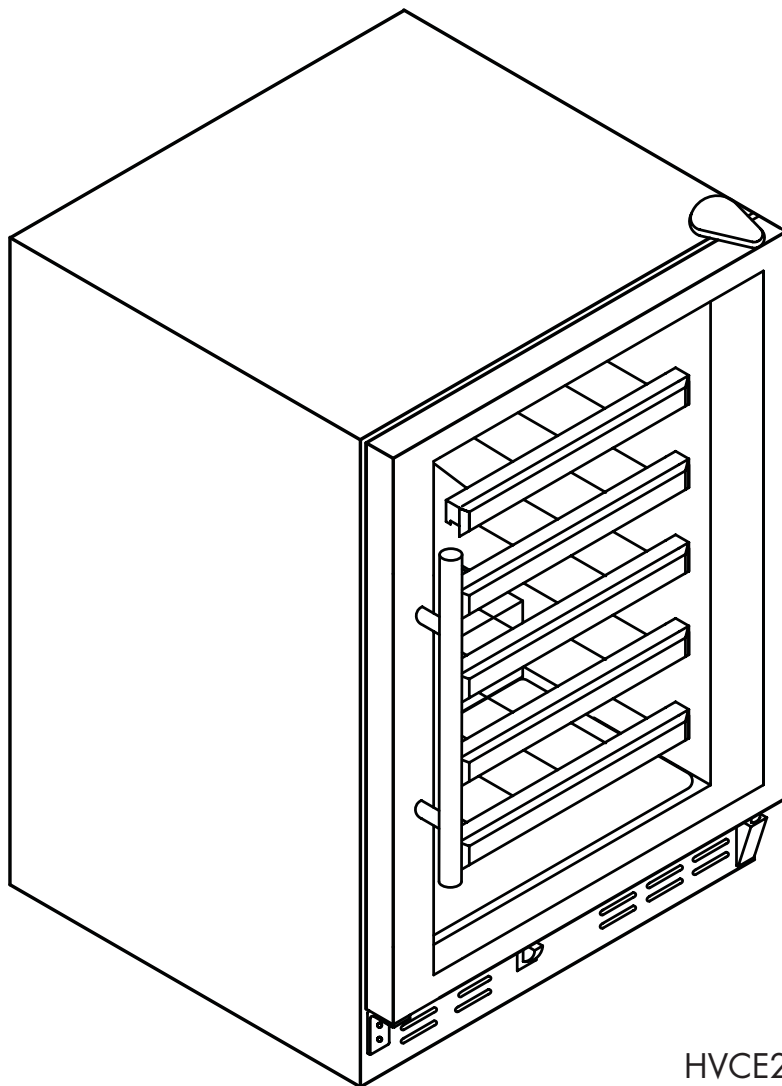


Built-In / Freestanding Wine Cellar
Construire Dans / Indépendant Vin Cave
Construido En / Bodega Aislada



HVCE24

User Manual
Model # HVCE15, HVCE24

Guide de l'Utilisateur
Modèle # HVCE15, HVCE24

Manual del Usuario
Para Modelo de # HVCE15, HVCE24

Haier[®]

Quality · Innovation · Style

SAFETY PRECAUTIONS

When using this appliance, always exercise basic safety precautions, including the following:

- 1) **Read all of the instructions before using this appliance.**
- 2) Use this appliance only for its intended purpose as described in this use and care guide.
- 3) This wine cellar must be properly installed in accordance with the installation instructions before it is used. See grounding instructions in the installation section.
- 4) Never unplug your wine cellar by pulling on the power cord. Always grasp the plug firmly and pull straight out from the outlet.
- 5) Repair or replace immediately, all electric service cords that have become frayed or otherwise damaged. Do not use a cord that shows cracks or abrasion damage along its length, the plug or the connector end.
- 6) Unplug your wine cellar before cleaning or before making any repairs.
Note: If for any reason this product requires service, we strongly recommend that a certified technician performs the service.
- 7) If your old wine cellar is not being used, we recommend that you remove the door and leave the shelves in place. This will reduce the possibility of danger to children.
- 8) Do not operate your wine cellar in the presence of explosive fumes.
- 9) **Do not store foods** in wine cellar as interior temperature may not be cool enough to prevent spoilage.

SAVE THESE INSTRUCTIONS

DANGER

Risk of child entrapment. Before you throw away your old wine cellar, take off the doors. Leave the shelves in place so that children may not easily climb inside.

Thank you for using our Haier product.
This easy-to-use manual will guide you in getting the best use of your wine cellar.

Remember to record the model and serial number. They are on a label in back of the wine cellar.

Staple your receipt to your manual. **You will need it to obtain warranty service.**

Model number

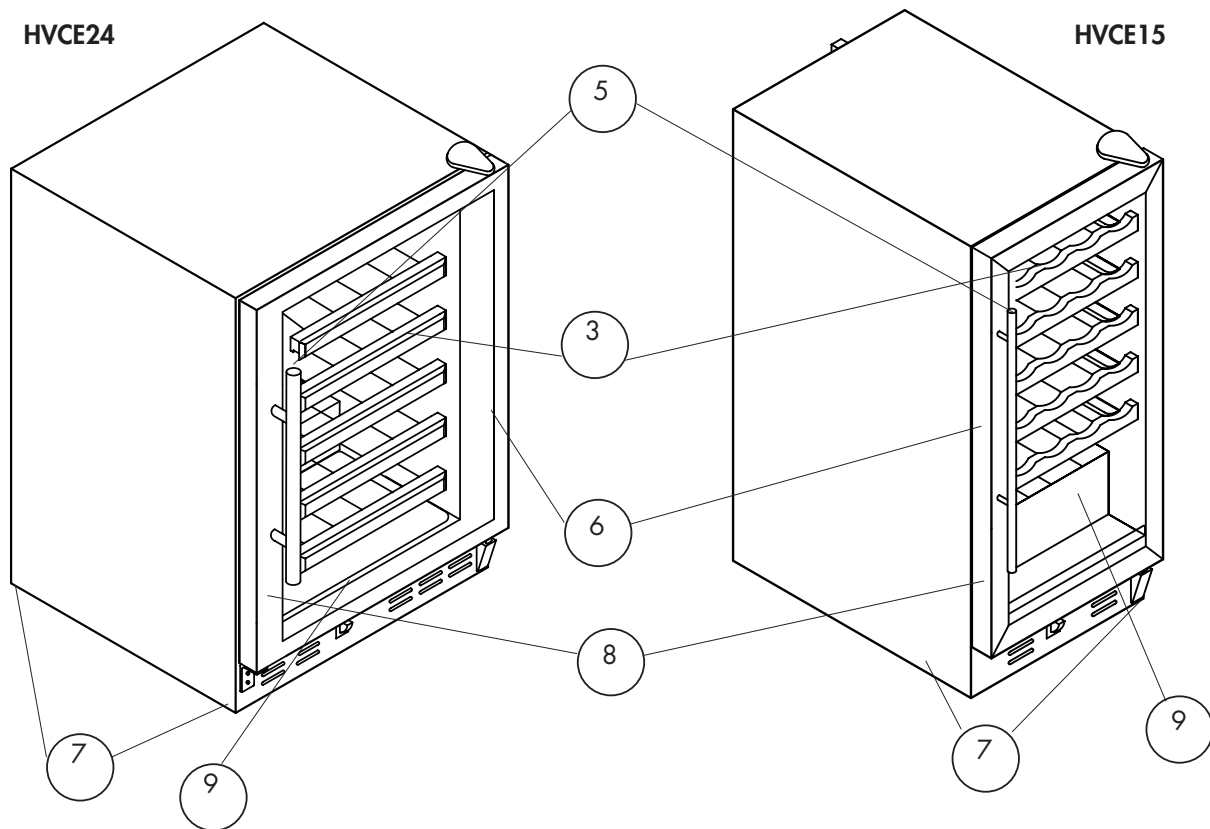
Serial number

Date of purchase

TABLE OF CONTENTS

	PAGE
Safety Precautions	1
Parts And Features	4
Installing Your Wine Cellar.....	5
Unpacking Your Wine Cellar.....	5
Leveling Your Wine Cellar.....	5
Electrical Requirements	5
Use of Extension Cord	5
Wine Cellar Features And Use.....	6
Initial Set Up	6
Shelving.....	7
Interior Light	7
Normal Operating Sounds.....	7
Wine Cellar Installation.....	8
Installation Limitations	8
Dimensions.....	8
Door Reversal.....	9
Replace Light Bulbs	11
Proper Wine Cellar Care and Cleaning	12
Cleaning and Maintenance.....	12
Power Interruptions.....	12
Vacation and Moving Care	12
Troubleshooting	13
Limited Warranty.....	14

PARTS AND FEATURES



	1. bottle capacity	2. adjustable temp. control	3. shelving*	4. interior light	5. door handle	6. door trim	7. leveling legs	8. reversible door	9. tinted glass
HVCE15	26	electronic (not shown)	glide-out with woodtrim	yes manual (not shown)	tube type grip	brushed metal or black	4 (not shown)	yes	UV-blue gray
HVCE24	50	electronic (not shown)	glide-out with woodtrim	yes manual (not shown)	tube type grip	brushed metal or black	4 (not shown)	yes	UV-blue gray

* Quantity and style will vary per model purchased.

INSTALLING YOUR WINE CELLAR

Unpacking Your Wine Cellar

1. Remove all packaging material. This includes the foam base and all adhesive tape holding the wine cellar accessories inside and outside.
2. Inspect and remove any remains of packing, tape or printed materials before powering on the wine cellar.

Leveling Your Wine Cellar

- Your wine cellar has four leveling legs which are located in the front and rear corners of your wine cellar. After properly placing your wine cellar in its final position, you can level your wine cellar.
- Leveling legs can be adjusted by turning them clockwise to raise your wine cellar or by turning them counterclockwise to lower your wine cellar. The wine cellar door will close easier when the leveling legs are extended.

Electrical Requirements

- Make sure there is a suitable power outlet (115 volts, 15 amps outlet) with proper grounding to power the wine cellar.
- Avoid the use of three plug adapters or cutting off the third grounding in order to accommodate a two plug outlet. This is a dangerous practice since it provides no effective grounding for the wine cellar and may result in shock hazard.

Use of Extension Cord

- Avoid the use of an extension cord because of potential safety hazards under certain conditions. If it is necessary to use an extension cord, use only a 3-wire extension cord that has a 3-blade grounding plug and a 3-slot outlet that will accept the plug. The marked rating of the extension cord must be equal to or greater than the electrical rating of the appliance.

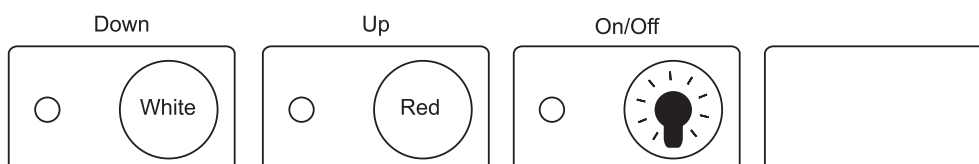
WINE CELLAR FEATURES AND USE

Initial Setup

HVCE15 / HVCE24

- Once you have plugged the unit into an electrical outlet, let the unit run for at least 30 minutes to acclimate itself before making any adjustments. During this time the Red Wine light will stay on. Temperature inside the cooler, if not adjusted, will be at 55°-60°F.
- The wine cellar can be set to any temperature you desire to accommodate your wine storage requirements. To set the temperature, press both the "White Wine" and "Red Wine" buttons simultaneously and hold for approximately 3 seconds. Now you are in temperature set mode. Decrease the temperature by pushing the "White Wine" button and increase the temperature by pressing the "Red Wine" button. Pressing the appropriate button 3 times will adjust the temperature 3 degrees, pressing 4 times equals 4 degrees, 5 times equals 5 degrees, and so on. Once you have selected the temperature you desire, push the "On/Off" button. Now the wine cellar is programmed and the LED readout will return to current internal temperature reading.
- There will be a 3 degree variance +/- between the temperature you select and the temperature indicated on the LED readout. This occurs because the wine cellar activates and deactivates trying to maintain your desired temperature. There is often a 10° variance between the top and bottom shelves of the wine cellar. Therefore, if you have set the wine cellar for 50° and have a mix of red and white wines, you may want to put the white wine on the bottom shelf where the temperature will be 45° F, and place the red wine on the top shelf where the temperature will be 55° F.

Temperature



Shelving (will vary by model purchased)

- The shelves are chrome-plated glide-out with wood trim. They are designed for flexibility and easy cleaning. The shelves are designed to allow free air movement.

Interior Light

- To complement the look of your wine collection, a soft light has been built into the wine cellar. The light switch is on the front bottom, or on the electronic control panel.

Normal Operating Sounds You May Hear

- Boiling water, gurgling sounds or slight vibrations that are the result of the refrigerant circulating through the cooling coils.
- The thermostat control will click when it cycles on and off.

WINE CELLAR INSTALLATIONS

Installation Limitations

- Do not install your wine cellar in any location not properly insulated or heated, e.g. garage etc. Your wine cellar was not designed to operate in temperature settings below 55° Fahrenheit.
- Select a suitable location for the wine cellar on a hard, even surface away from direct sunlight or heat source, e.g. radiators, baseboard heaters, cooking appliances etc. Any floor unevenness should be corrected with the leveling legs located on the front and rear bottom corners of the wine cellar.

Dimensions

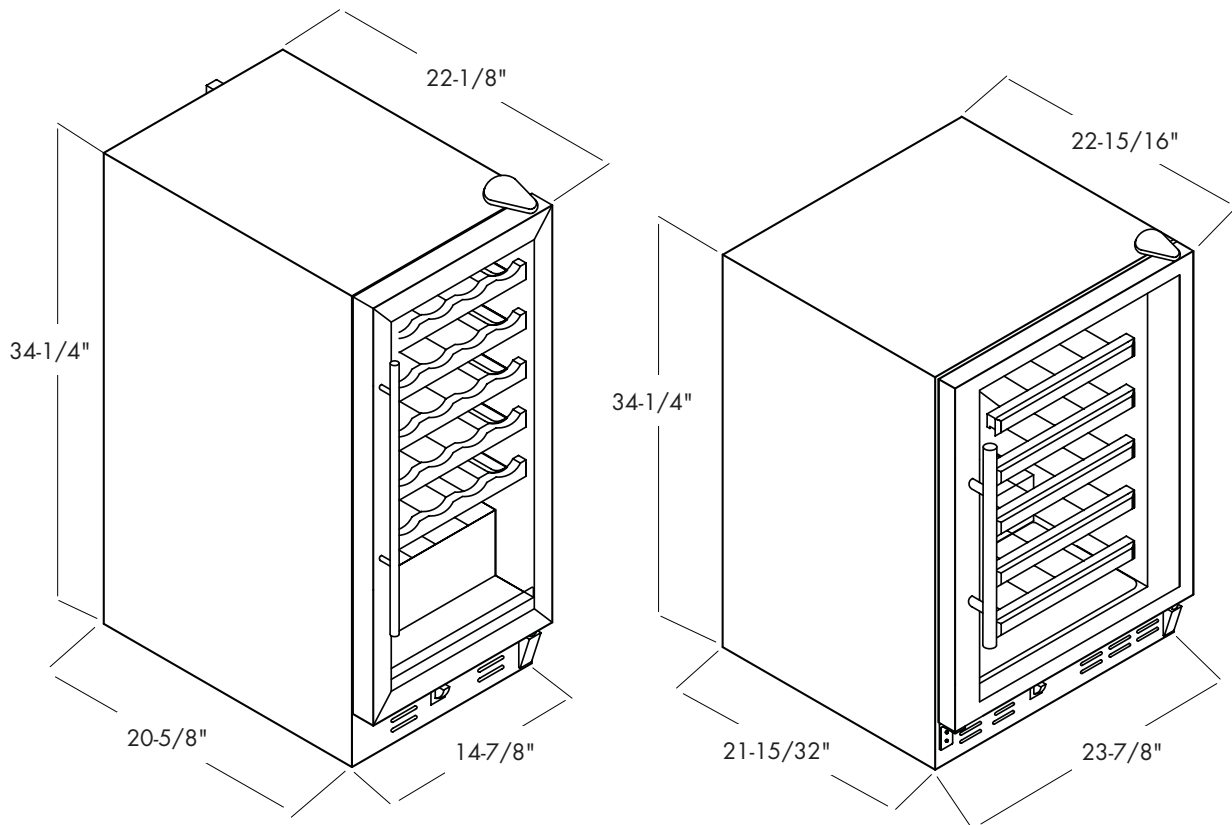
- Built-in wine cellars need to be ventilated from the front. This feature allows the unit to be built-in in an enclosed area. The bottom front grille should be clear of all obstructions. This is absolutely necessary for the air to circulate and for the unit to operate efficiently. The dimensions for installation are as follows (W x D x H):

Unit Dimensions

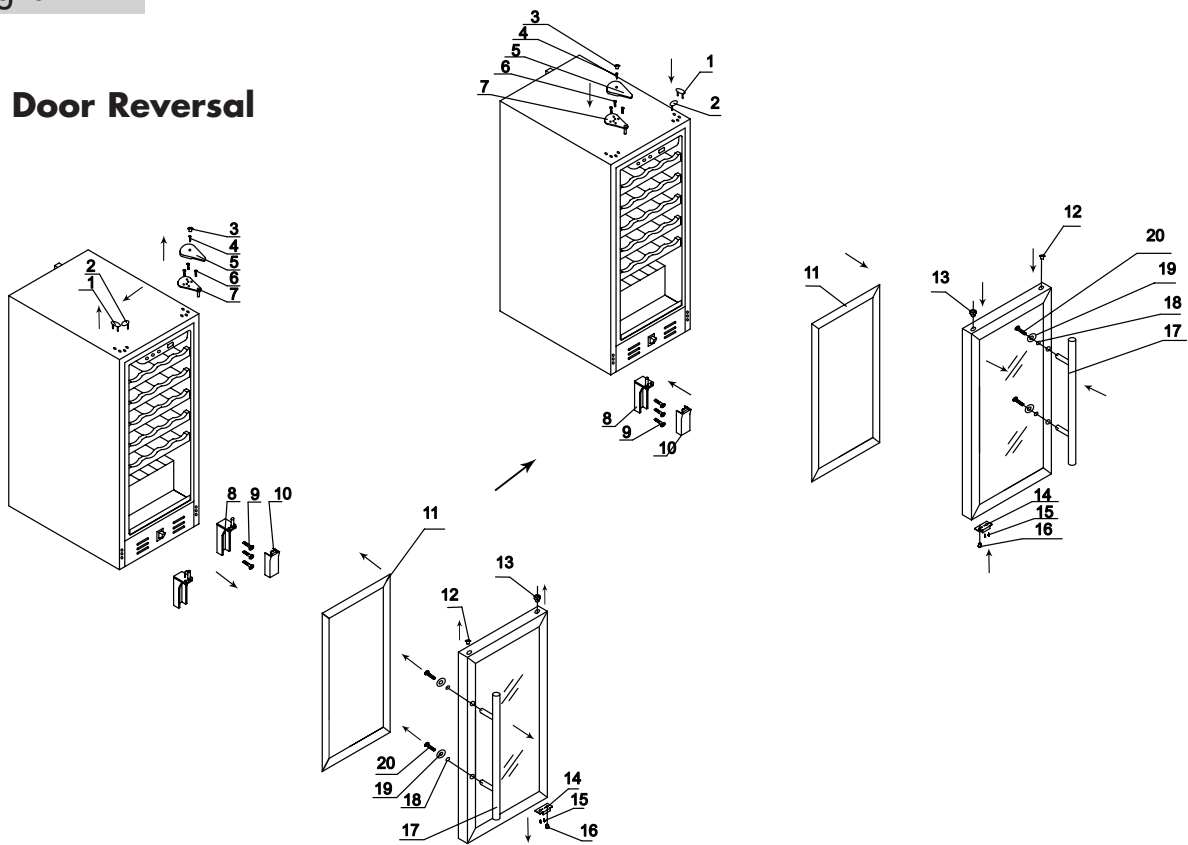
MODEL	W	D1	D2	H
HVCE15	14-7/8"	20-5/8"	22-1/8"	34-1/4"
HVCE24	23-7/8"	21-15/32"	22-15/16"	34-1/4"

Built-In Dimensions

MODEL	W	D	H
HVCE15	15"	24"	34-1/2"
HVCE24	24"	24"	35"



Door Reversal



- | | |
|-----------------------------|------------------------------|
| 1. Upper Hinge Hole Cover 1 | 11. Door Seal |
| 2. Upper Hinge Hole Cover 2 | 12. Hole Cover |
| 3. Upper Hinge Screw Cover | 13. Upper Hinge Axes Bushing |
| 4. Upper Hinge Cover Screw | 14. Door Bushing |
| 5. Hinge Cover | 15. Axis Bushing Screw |
| 6. Upper Hinge Screw | 16. Lower Hinge Axes Bushing |
| 7. Upper Hinge | 17. Handle |
| 8. Lower Hinge | 18. Spring Gasket |
| 9. Lower Hinge Screw | 19. Flat Gasket |
| 10. Lower Hinge Cover | 20. Handle Screw |

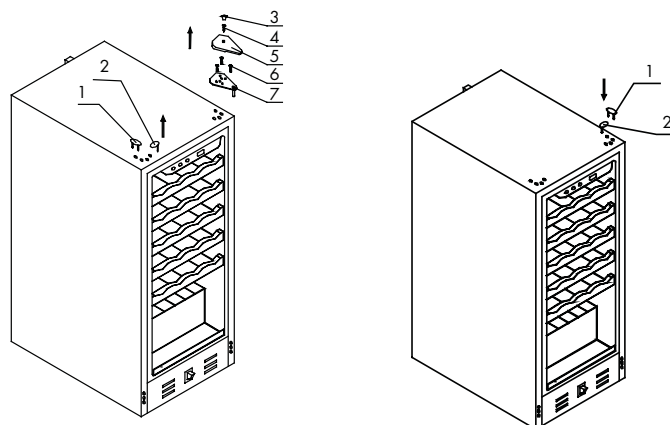
1. Remove the screw cover from the upper hinge cover. Use a Phillips head screwdriver to remove the screw that holds the upper hinge cover in place. Remove the upper hinge cover.

Loosen and remove the screws that hold the upper hinge in place.

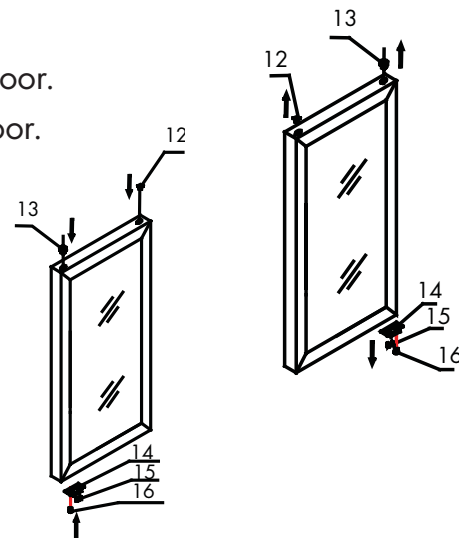
Note: Make sure you hold door to prevent it from falling or being damaged.

Lift and set aside for now.

Remove both of the upper hinge hole covers (left side) and set aside.



- Remove the hole cover from the upper left side of door.
Remove the upper hinge block from right side of door.



Replace upper hinge block on the left side of door.
Replace the hole cover to the hole on the right.

- Remove lower right hinge cover

Loosen and remove the screws that hold the lower right hinge in place
Remove the doorstopper on the bottom left and replace them on the bottom right (where hinge was just removed).

Unscrew and move pin from right side position on hinge to left side position on hinge. (Requires 9/32" hex socket.)

Place lower hinge removed from lower right to lower left side and fasten in place with the screws.

Replace lower hinge cover.

- Lay door down on a sturdy surface

Remove door seal (gasket) from rear side on door

Note: Do not use sharp instrument (knife, etc.).

Remove hole covers on right front side of door.

Use Phillips screwdriver to remove the two (2) screws that hold the door handle in place on left side.

Note: Do not lose washer.

Place 1st screw through top hole on right side and screw into handle.
(Do not tighten completely at this time.)

Place 2nd screw through bottom hole and screw into handle and tighten.

Now tighten the 1st (upper) screw completely.

Replace hole cover previously removed into the open holes on left front side of door.

- Take door in hand and place bottom left hole in door over bottom left hinge pin and put into place.

Note: Make sure you hold door to prevent it from falling or being damaged.

Take previously removed upper hinge and place it in upper left hole of door.

Take screws and tighten upper hinge to cabinet of unit.

Note: Make sure door is level and closes properly (no gaps).

If it does not, loosen upper hinge screws slightly and adjust door and retighten. Do this until door is level and closes properly.

Replace hinge cover and tighten with screw. Replace screw cover.

Replacing Light Bulb

1. Turn off the wine cellar and unplug the power cord.
2. To remove the light bulb cover use a Phillips head screw driver to remove the 3 screws.
3. Make sure the light bulb is cool before removing it. Replace using a light bulb 10 watts or less.
4. After the bulb is secure, install the light bulb cover and replace the three screws.
5. Turn unit on to its original setting after plugging in the power cord.

PROPER WINE CELLAR CARE & CLEANING

Cleaning and Maintenance

Warning: • To avoid electric shock always unplug your wine cellar before cleaning. Ignoring this warning may result in death or injury.

Caution: • Before using cleaning products, always read and follow manufacturer's instructions and warnings to avoid personal injury or product damage.

General: • Prepare a cleaning solution of 3-4 tablespoons of baking soda mixed with warm water. Use sponge or soft cloth, dampened with the cleaning solution, to wipe down your wine cellar.

- Rinse with clean warm water and dry with a soft cloth.

- Do not use harsh chemicals, abrasives, ammonia, chlorine bleach, concentrated detergents, solvents or metal scouring pads. SOME of these chemicals may dissolve, damage and/or discolor your wine cellar.

Door Gaskets: • Clean door gaskets every three months according to general instructions. Gaskets must be kept clean and pliable to ensure a proper seal.

- Petroleum jelly applied lightly on the hinge side of gaskets will keep the gasket pliable and ensure a good seal.

Power Interruptions

- Occasionally there may be power interruptions due to thunderstorms or other causes. Remove the power cord from wall outlet when a power outage occurs. When power has been restored, replug power cord to wall outlet.

Vacation and Moving Care

- For long vacations or absences, unplug the wine cellar and clean the wine cellar and door gaskets according to "General cleaning" section. Prop doors open, so air can circulate inside. When moving always move the wine cellar vertically. Do not move with the unit lying down. Possible damage to the sealed system could occur.

TROUBLESHOOTING

Wine Cellar does not operate

- Check if wine cellar is plugged in.
- Check if there is power at the AC outlet by checking the circuit breaker.

Wine appears too warm

- Frequent door openings.
- Allow time for recently added wine to reach desired temperature.
- Check gaskets for proper seal.
- Adjust temperature control to colder setting.

Wine temperature is too cold

- If temperature control setting is too cold, adjust to a warmer setting.

Wine Cellar runs too frequently

- This may be normal to maintain constant temperature during high temperature and humid days.
- Doors may have been opened frequently or for an extended period of time.
- Check gasket for proper seal.
- Check to see if doors are completely closed.

Moisture build-up on interior or exterior of the Wine Cellar:

- This is normal during high humidity periods.
- Prolonged or frequent door openings.
- Check door gaskets for proper seal.

Wine Cellar door does not shut properly:

- Level the wine cellar.
- Check for blockages, e.g. wine bottles, shelves.

LIMITED WARRANTY

What is covered and for how long?

This warranty covers all defects in workmanship or materials for a period of:

12 months labor

12 months parts

5 years sealed system

The warranty commences on the date the item was purchased and the original purchase receipt must be presented to the authorized service center before warranty repairs are rendered.

EXCEPTIONS:

Commercial or Rental Use warranty

90 days labor (carry-in only)

90 days parts

No other warranty applies

What is covered.

1. The mechanical and electrical parts, which serve as a functional purpose of this appliance for a period of 12 months. This includes all parts except finish and trim.
2. The components of the sealed system, e.g. hermetic compressor, condenser and evaporator from manufacturing defects for a period of 5 years from the date of purchase. Any damages to such components caused by mechanical abuse or improper handling or shipping will not be covered.

What will be done?

1. We will repair or replace, at our discretion, any mechanical or electrical part which proves to be defective in normal usage during the warranty period so specified.
2. There will be no charge to the purchaser for parts and labor on any covered items during the initial 12 month period. Beyond this period only parts are covered in the remaining warranty. Labor is not provided and must be paid by the customer.

3. Contact your nearest authorized service center. For the name of the nearest service center please call 1-877-337-3639.

THIS WARRANTY COVERS APPLIANCES WITHIN THE CONTINENTAL UNITED STATES, PUERTO RICO AND CANADA. IT DOES NOT COVER THE FOLLOWING:

Damages from improper installation.

Damages in shipping.

Defects other than manufacturing.

Damage from misuse, abuse, accident, alteration, lack of proper care and maintenance or incorrect current or voltage.

Damage from other than household use.

Damage from service by other than an authorized dealer or service center.

Decorative trims or replaceable light bulbs.

Transportation and shipping.

Labor (after the initial 12 months).

THIS LIMITED WARRANTY IS GIVEN IN LIEU OF ALL OTHER WARRANTIES, EXPRESSED OR, INCLUDING THE WARRANTIES OF MERCHANTABILITY AND FITNESS FOR A PARTICULAR PURPOSE.

The remedy provided in this warranty is exclusive and is granted in lieu of all other remedies.

This warranty does not cover incidental or consequential damages, so the above limitations may not apply to you. Some States do not allow limitations on how long an implied warranty lasts, so the above limitations may not apply to you.

This warranty gives you specific legal rights, and you may have other rights, which vary, from state to state.

Haier America
New York, NY 10018

MESURES DE SECURITE

Lors de l'utilisation de cet appareil, prendre toutes les mesures de sécurité de base, y compris les suivantes:

- 1) **Lire l'ensemble des instructions avant d'utiliser l'appareil.**
- 2) N'utiliser cet appareil que pour l'usage pour lequel il est prévu, tel qu'il est indiqué dans le guide d'utilisation et d'entretien.
- 3) Ce réfrigérateur à vin doit être installé correctement, selon les instructions d'installation, avant d'être utilisé. Voir les instructions de mise à la terre dans la section d'installation.
- 4) Ne jamais débrancher le réfrigérateur à vin en tirant sur le cordon d'alimentation. Saisissez toujours la fiche fermement et la tirez-la directement de la prise de courant.
- 5) Réparez ou remplacez immédiatement tous les cordons d'alimentation qui sont frangés ou endommagés. N'utilisez pas de cordon qui présente des fissures ou de l'abrasion sur le fil ou aux extrémités.
- 6) Débranchez votre réfrigérateur avant de le nettoyer ou d'en faire l'entretien général. Note: N'essayez pas de faire les réparations vous-mêmes. Contactez un agent de service qualifié pour toute réparation.
- 7) Si vous remplacez un vieux réfrigérateur à vin, enlevez les portes avant de l'entreposer ou de le jeter et laissez les étagères en place. Cela réduira les dangers potentiels pour les enfants.
- 8) Ne faites pas fonctionner le réfrigérateur à vin en présence d'émanations explosives.
- 9) N'enregistrez pas les nourritures dans le refroidisseur de vin car la température intérieure peut ne être assez fraîche pour empêcher la détérioration.

**VEUILLEZ CONSERVER
CES INSTRUCTION**

DANGER

Les enfants pourraient se retrouver coincés dans votre réfrigérateur à vin usagé avant que vous ne puissiez vous en débarrasser. Retirer les portes. Laisser les étagères en place de manière à ce que les enfants ne puissent pas grimper facilement à l'intérieur.

Nous vous remercions d'avoir choisi ce produit Haier. Ce guide d'utilisation facile d'emploi permet une utilisation optimum du réfrigérateur à vin.

Ne pas oublier de prendre note du numéro de modèle et de série. Ils sont inscrits sur plaquette apposée sur l'arrière du réfrigérateur à vin.

Numéro de modèle

Numéro de série

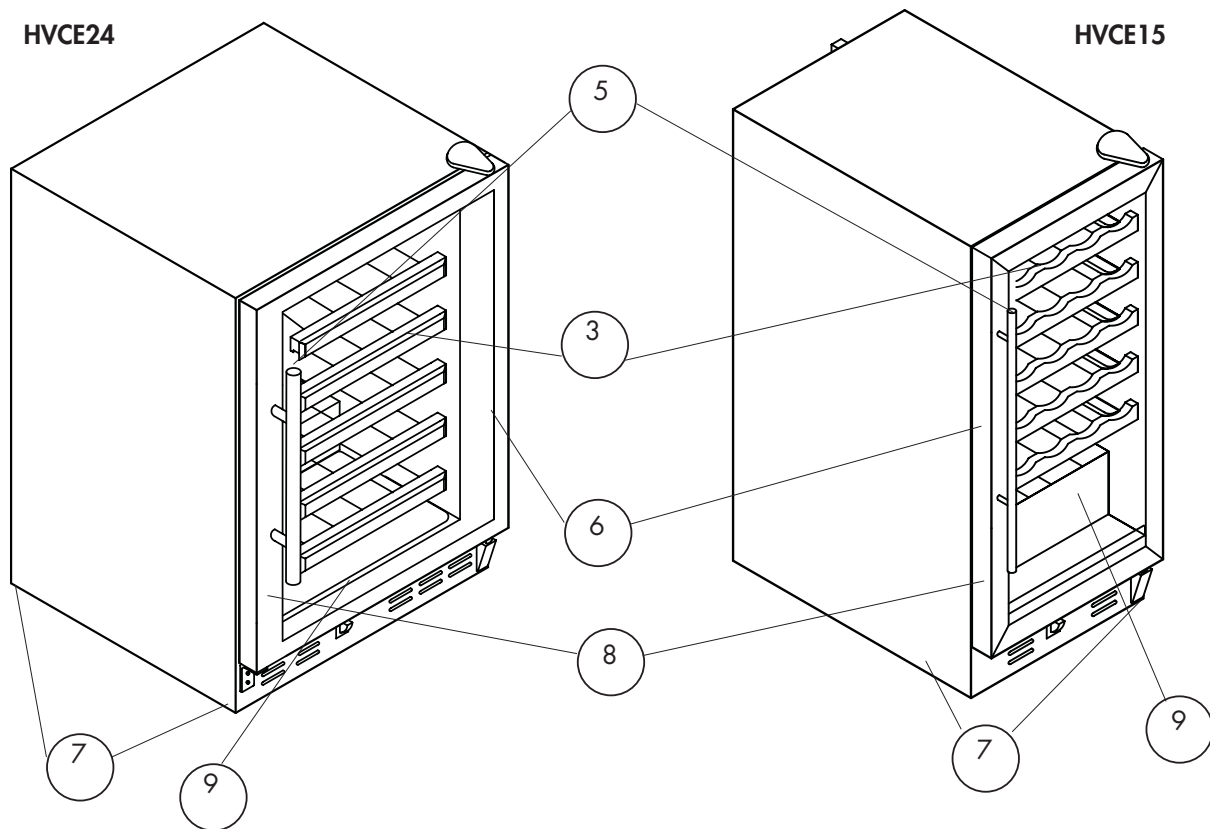
Date d'achat

Agrafer le ticket de caisse au guide. **Il devra être présenté pour tout service après-vente sous garantie.**

SOMMAIRE

	PAGE
Mesures de Sécurité	1
Pièces et Caractéristiques	4
Installation du Réfrigérateur à Vin	5
Désemballage du Réfrigérateur à Vin	5
Réglage du Réfrigérateur à Vin.....	5
Caractéristiques Electriques	5
Utilisation de Rallonges	5
Caractéristiques du Réfrigérateur à Vin.....	6
Montage Initial	6
Tablettes.....	7
Lumière Intérieure.....	7
Bruits de Fonctionnement lors d'une Exploitation Normale	7
Installation du Compartiment à Vin.....	8
Limitations	8
Dimensions.....	8
Changer l'emplacement de la Porte	9
Remplacer les Ampoules	11
Entretien et Nettoyage du Réfrigérateur à Vin.....	12
Nettoyage et Maintenance.....	12
Coupures de Courant	12
Entretien lors des Vacances ou d'un Déménagement	12
Guide de Dépannage	13
Garantie	14

PIÈCES ET CARACTÉRISTIQUES



	1. capacité de bouteille	2. commande de température réglable	3. * rayonage	4. lumière intérieure	5. poignée de porte	6. équilibre de porte	7. mise à niveau des jambes	8. porte réversible	9. verre teinté
HVCE15	26	électronique (non montrer)	glissement dehors avec le woodtrim	oui manuel (non montrer)	type poignée de tube	métal balayé ou noir	4 (non montrer)	si	bleu UV-gris
HVCE24	50	électronique (non montrer)	glissement dehors avec le woodtrim	oui manuel (non montrer)	type poignée de tube	métal balayé ou noir	4 (non montrer)	si	bleu UV-gris

* Quantité et modèle changer par modèle acheter.

INSTALLATION DU RÉFRIGÉRATEUR À VIN

Désemballage du Réfrigérateur à Vin

1. Retirer l'ensemble du matériel d'emballage. Ceci comprend la base en mousse ainsi que l'ensemble du matériel adhésif qui maintient les accessoires du réfrigérateur à vin l'intérieur tout comme à l'extérieur.
2. Inspecter et enlever tout restant d'emballage, de scotch ou de matériaux imprimés avant de brancher le réfrigérateur à vin.

Réglage du Réfrigérateur à Vin

- Votre refroidisseur de vin a quatre jambes de mise à niveau qui sont placées dans les coins avant et arrière de votre refroidisseur de vin.
- Pour régler les pieds de mise à niveau, les tourner dans le sens des aiguilles d'une montre afin de surélever le réfrigérateur à vin et dans le sens inverse des aiguilles d'une montre pour l'abaisser. La porte du réfrigérateur à vin se ferme plus facilement lorsque les pieds de mise à niveau sont surélevés.

Caractéristiques Électriques

- Pour l'alimentation du réfrigérateur à vin, veiller à utiliser une prise de courant convenable (prise de 115 volts, 15 amp) raccordée à la terre.
- Éviter d'utiliser des adaptateurs à trois fiches ou de sectionner la troisième fiche reliée à la terre dans le but d'utiliser un branchement à deux fiches. Cette pratique pourrait s'avérer dangereuse dans la mesure où le réfrigérateur à vin n'est pas relié convenablement à la terre, et risquerait de causer des risques d'électrocution.

Utilisation de Rallonges

- Éviter d'utiliser une rallonge électrique car, dans certains cas, cela peut entraîner des risques pour la santé. S'il est nécessaire d'utiliser une rallonge, utiliser uniquement une rallonge possédant une fiche mâle à deux broches plus terre à une extrémité et une prise femelle de même type à l'autre extrémité. La capacité électrique de la rallonge doit être égale ou supérieure à la capacité de l'appareil.

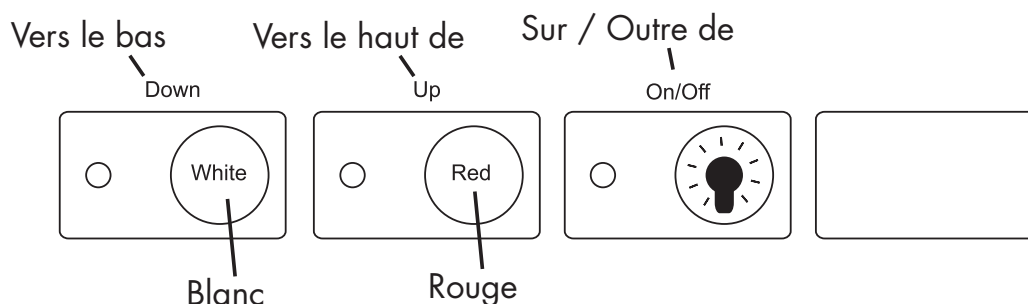
CARACTÉRISTIQUES DU RÉFRIGÉRATEUR À VIN

Montage Initial

HVCE15 / HVCE24

- Le réfrigérateur à vin est préréglé à la fabrique pour s'adapter automatiquement aux conditions de température pour les vins rouge ou blanc. Si vous y placer principalement des vins blancs, appuyez sur le bouton "Vin Blanc" et le réfrigérateur à vin maintiendra une température moyenne variant entre 7°C et 10°C. En appuyant sur le bouton "Vin Rouge", la température se situera entre 13°C et 15°C.
- Le réfrigérateur à vin peut être réglé à la température que vous désirez pour satisfaire vos exigences de refroidissement. Pour régler la température, pressez simultanément sur les boutons "Vin Rouge" et "Vin Blanc" pendant environ 3 secondes. Vous serez au mode de réglage de la température. Baissez la température en appuyant sur le bouton "Vin Blanc" et augmentez la température en appuyant sur le bouton "Vin Rouge". En appuyant sur le bouton 3 fois la température s'ajustera de 3 degrés, 4 fois équivaut à 4 degrés, 5 fois équivaut à 5 degrés et ainsi de suite. Une fois que vous avez sélectionné la température désirée, appuyez sur le bouton "On/Off". Le réfrigérateur à vin est maintenant programmé et le dispositif d'affichage à diodes lumineuses retournera à la lecture de température courante.
- Il peut y avoir une variance de 3 degrés (+/-) entre la température choisie et celle indiquée sur le dispositif d'affichage à diodes lumineuses. Cela se produit parce que le réfrigérateur à vin s'active et se désactive pour essayer de maintenir la température désirée. Il y a souvent une variance de 10° entre la tablette du haut et celle du bas du réfrigérateur à vin. Donc, si vous avez réglé le réfrigérateur à vin à 50° et que vous avez placé des vins rouges et blancs, vous pourriez placer le vin blanc sur la tablette du bas où la température sera de 45° F et placer le vin rouge sur la tablette du haut où la température sera de 55° F.

La Temperature



Tablettes

(changez dans différents modèles)

- Les étagères sont enduites plaqué ou noir de chrome selon avec glissez-dehors l'équilibre en bois votre modèle acheté. Elles sont conçues pour la flexibilité et le nettoyage facile. Les étagères sont conçues pour permettre le mouvement d'air libre et fournissent plus d'espace.

Lumière intérieure

- Pour compléter le regard de votre collection de vin, une lumière molle a été établie dans le refroidisseur de vin. Le commutateur léger est sur le fond plan, ou sur le panneau de commande électronique selon le modèle acheté.

Bruits de Fonctionnement lors d'une Exploitation Normale

- Les éléments de refroidissement tubulaires (serpentins refroidisseurs) font des bruits d'ébullition, des gargouillements et provoquent de légères vibrations.
- La commande du thermostat émettra un déclic lorsque qu'elle s'allume et s'éteint.

INSTALLATION DU COMPARTIMENT À VIN

Limitations relatives à l'Installation

- Ne pas installer le réfrigérateur à vin dans un endroit qui n'est pas convenablement isolé ou chauffé; comme par exemple un garage, etc. Le réfrigérateur à vin n'est pas conçu pour fonctionner à des températures inférieures à 12°C.
- Choisir un endroit convenable et placer le réfrigérateur à vin sur une surface solide et plane, loin de sources de chaleur telles que: les radiateurs, les éléments chauffants à plinthes, les cuisinières, etc. N'importe quelle inégalité de plancher devrait être corrigée avec les jambes de mise à niveau plac sur les coins plan et arrière de votre refroidisseur de vin.

Dimensions

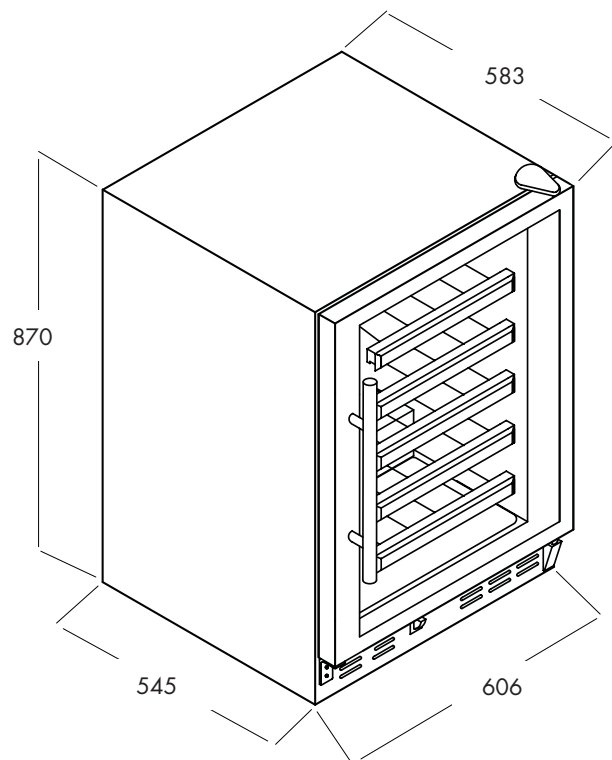
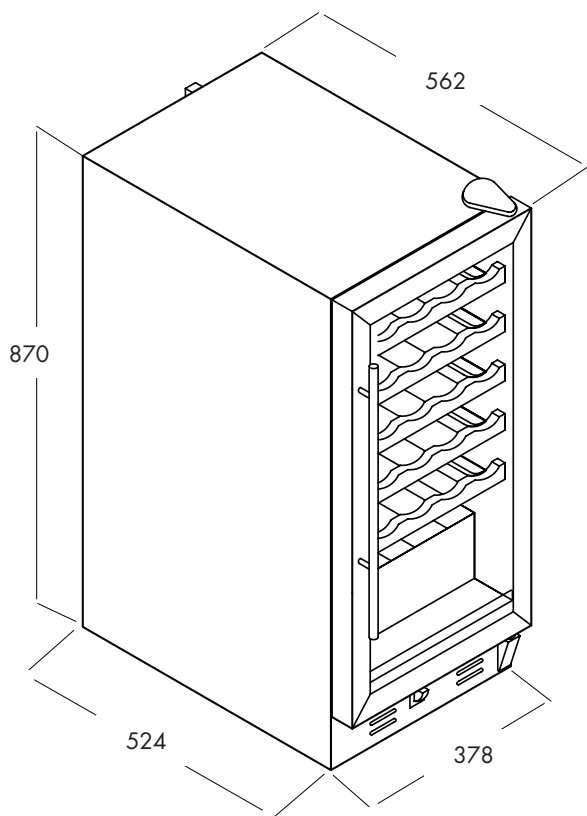
- Les compartiments rafraîchisseurs à vin doivent être ventilés par l'avant. Cette fonction permet de pouvoir installer le compartiment dans un endroit clos. Rien ne doit gêner la grille inférieure avant. Ceci est absolument nécessaire afin de faire circuler l'air et pour que le compartiment fonctionne de façon efficace. Les dimensions de l'installation sont les suivantes (L x P x H):

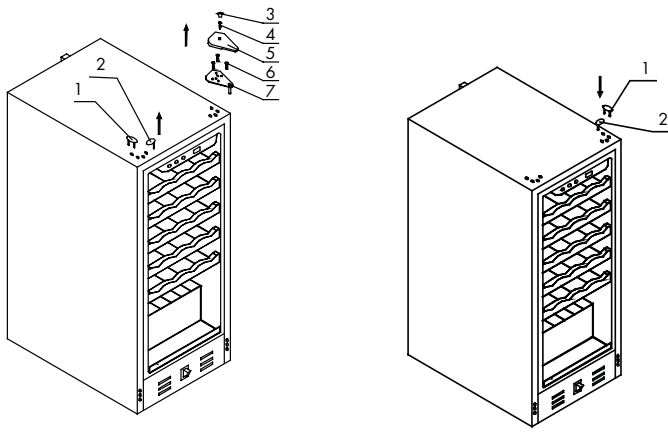
Dimensions d'Unité

MODEL	W	D1	D2	H
HVCE15	378	524	562	870
HVCE24	606	545	583	870

Construire-Dans des Dimensions

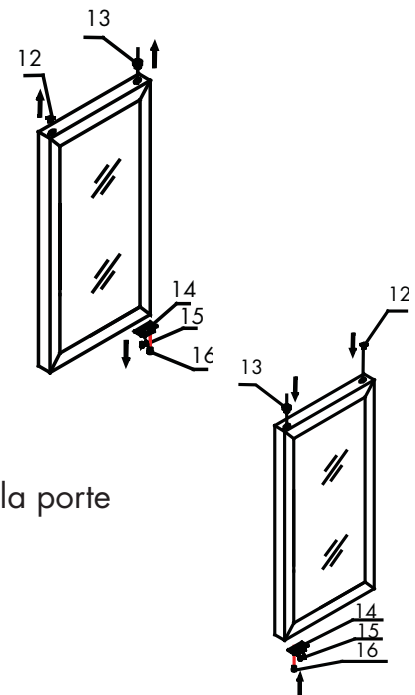
MODEL	W	D	H
HVCE15	381	610	876
HVCE24	610	610	889





2. Enlevez la couverture du trou du cote gauche superieur.
Enlevez le gond superieur du cote droit de la porte

Remplacez le bloc du gond superieur du cote gauche de la porte
Remplacez la couverture du trou sur le trou du cote droit.



3. Enlevez la couverture du gond inferieur

Desserez et enlevez les vis qui tiennent le gond inferieur en place

Enlevez le doorstopper du cote gauche inferieur et remplacez le sur le cote droit inferieur (de l'endroit ou le gond vient d'etre retire)

Devissez et retirez l'epingle du cote droit de gond sur le cote gauche du gond.
(exige une douille de sortilege de 9/32")

Placez le gond inferieur retire du cote droit inferieur sur le cote gauche inferieur et vissez le en place.

Remplacez la couverture du gond inferieur.

4. Placez la porte horizontalement sur une surface ferme.

Enlevez le joint de la porte du dos de la porte

Note: N'utilisez pas des instruments pointus (comme couteau etc.)

Enlevez la couverture du trou du cote droit de devant de la porte

Utilisez un tournevis Phillips pour retirer les deux (2) vis qui tiennent la poignee de la porte en place sur le cote gauche.

Note: Ne perdez pas la rondelle.

Placez le premier vis a travers le trou superieur sur le cote droit et vissez dans la poignee. (Ne serrez pas completement pour ce moment)

Placez le deuxieme vis a travers le trou inferieur et vissez dans la poignee et serrez completement.

A ce moment serrez le premier vis completement.

Remplacez la couverture du trou precedemment retire dans les trous ouverts sur le cote gauche de devant de la porte .

5. Prenez la porte en main et placez le trou inférieur gauche dans la porte ou dessus de l'épinglet du gond gauche et mettez-la en place.

Note: Assurez-vous de tenir la porte pour l'empêcher de tomber ou d'être endommagée.

Placez le gond supérieur précédemment retiré et placez-le dans le trou supérieur gauche de la porte.

Vissez complètement le gond supérieur au placard.

Note: Assurez-vous que la porte soit nivelée et se ferme correctement (aucun écart) Si non, desserrez les vis supérieures légèrement, ajustez et revissez de nouveau. Répétez si nécessaire, jusqu'à ce que la porte se ferme correctement.

Remplacez le couvercle du gond et vissez. Remplacez le couvercle des vis.

Remplacer les Ampoules

1. Éteignez le rafraîchisseur à vin et débranchez le cordon électrique.
2. Utilisez un tournevis cruciforme afin de retirer le cache de protection de l'ampoule et dévissez les 2 vis.
3. Assurez-vous que l'ampoule est froide avant de la retirer. Remplacez l'ampoule par une ampoule de 10 watts ou moins.
4. Après avoir placé l'ampoule, remontez le cache de protection et replacez les deux vis.
5. Mettez en marche le rafraîchisseur à vin à son réglage d'origine après avoir rebranché le cordon électrique.

ENTRETIEN E NETTOYAGE DU RÉFRIGÉRATEUR À VIN

Nettoyage et Maintenance

Attention: • Pour éviter les risques d'électrocution; toujours débrancher le réfrigérateur à vin avant de le nettoyer. Le non respect de cette mesure peut entraîner des blessures graves ou mortelles.

Précautions: • Avant d'avoir recours à des produits d'entretien, toujours consulter et suivre les instructions du fabricant et recommandations afin d'éviter toute blessure éventuelle et risque de dégât de matériel.

Généralités:: • Préparer une solution de nettoyage comportant 3 à 4 cuillerées à soupe de bicarbonate de soda mélangé à de l'eau chaude. A l'aide d'une éponge ou un tissu doux humectés de solution de nettoyage; essuyer le réfrigérateur à vin.

• Rincer à l'eau chaude et sécher à l'aide d'un tissu doux.

• Ne pas utiliser de détergents chimiques, abrasifs, ou contenant de l'ammoniaque ou du chlore, ni de solvants ou de tampons à récurer en métal. CERTAINS de ces produits chimiques peuvent dissoudre, endommager et/ou décolorer le réfrigérateur à vin.

Joint de porte: • Nettoyer les joints de porte tous les trois mois en suivant les instructions générales fournies. Les joints doivent rester propres et flexibles afin d'assurer une bonne étanchéité.

• Une fine couche de gelée de pétrole appliquée sur le côté des joints comportant les charnières permet de préserver la flexibilité de ces derniers et d'assurer une bonne étanchéité.

Coupures de Courant

• Des pannes d'alimentation occasionnelles peuvent survenir à cause d'une tempête ou de causes autres. Retirer le cordon d'alimentation de la prise CA pendant toute la durée de la coupure d'alimentation. Lorsque le courant électrique est rétabli, rebrancher le cordon dans la prise CA. power cord to mur outlet.

Vacances et Déménagement

• Pendant les périodes de vacances ou d'absence prolongée, placer le CADRAN de température sur la position 'OFF' (arrêt) et nettoyer le réfrigérateur à vin ainsi que les joints de porte en suivant les procédures du chapitre intitulé 'Nettoyage général'. Faire en sorte que la porte reste ouverte de manière à ce que l'air puisse circuler à l'intérieur. Toujours déplacer le réfrigérateur à vin en position verticale. Ne pas déplacer l'appareil en position horizontale. Ceci pourrait endommager le système d'étanchéité.

DÉPANNAGE

Le Réfrigérateur à vin ne fonctionne pas:

- Veiller à ce que le réfrigérateur à vin soit bien branché.
- Veiller à ce que la prise de courant CA fonctionne bien en vérifiant le disjoncteur.

Le vin semble trop chaud:

- La porte est ouverte trop fréquemment.
- Accordez l'heure pour le vin récemment ajouté d'atteindre la température désirée
- Vérifier l'étanchéité des joints.
- Régler le programmeur de température sur froid.

La température de vin est trop froide:

- Si le programmeur de température est placé sur une position trop froide, le régler sur une position plus chaude.

Le réfrigérateur à vin se met en marche trop fréquemment:

- Il peut s'agir de l'activité normale pour maintenir une température constante lorsque la température extérieure ou le taux d'humidité dans l'air sont élevés.
- Les portes ont été ouvertes trop fréquemment ou pendant une période de temps prolongée.
- Vérifier l'étanchéité des joints.
- Veiller à ce que les portes soient bien fermées.

Accumulation d'humidité à l'intérieur ou à l'extérieur du réfrigérateur à vin:

- Ceci est normal pendant les périodes de grande chaleur humide.
- Ouvertures de la porte prolongée ou trop fréquente.
- Vérifier l'étanchéité des joints.

La porte du réfrigérateur à vin/congélateur ne ferme pas correctement:

- Mettre le réfrigérateur à niveau.
- Vérifiez les colmatages, par exemple: bouteilles de vinietageres.

GARANTIE LIMITEÉ

Éléments sous garantie et durée de la garantie:

Cette garantie couvre tous les défauts de main-d'œuvre et de matériaux pour période de:

12 mois pour la main d'oeuvre

12 mois pour les pièces

5 ans pour le système d'étanchéité

La garantie prend effet le jour de l'achat de l'article. Le ticket de caisse d'origine doit être présenté au centre de réparation agréé pour toute réparation sous garantie.

EXCEPTIONS: Garantie pour usage commercial ou location.

90 jours pour la main d'œuvre

(service en atelier uniquement)

90 jours pour les pièces

Aucune autre garantie n'est applicable

Couverture.

1. Les pièces électriques et mécaniques servant au fonctionnement de l'appareil, pour une période de 12 mois. Ceci comprend l'ensemble des pièces, à l'exception de la finition et des garnitures.
2. Les composants du système d'étanchéité, tels que le compresseur hermétique, le condenseur et l'évaporateur, contre tous défauts de fabrication, pour une période de 5 ans à compter de la date d'achat. Tout dommage concernant ces composants et résultant d'un abus d'ordre mécanique, d'une utilisation incorrecte, ou de méthodes d'expédition inadéquates, ne sera pas compris dans la garantie.

Réparations qui seront effectuées:

1. Nous nous engageons à réparer ou remplacer, à notre discrétion, toute pièce électrique ou mécanique s'avérant défectueuse dans des conditions normales d'utilisation, au cours de la période de garantie spécifiée.
2. L'acheteur ne subira aucun frais pour les pièces et la main-d'œuvre couvertes par la garantie, au cours de la première période de 12 mois. Au-delà de cette période, seules les pièces seront couvertes par la durée restante de la

garantie. La main-d'œuvre n'est pas pourvue et est à la charge du client.

3. Contacter le centre de réparations agréé le plus proche. Pour obtenir les nom et adresse du centre le plus proche, appeler le 1-877-337-3639.

LES APPAREILS SONT COUVERTS PAR LA GARANTIE SUR LE TERRITOIRE CONTINENTAL DES ETATS-UNIS, À PUERTO RICO ET AU CANADA:

Les dommages résultant d'une installation incorrecte. Les dommages survenus pendant le transport. Les défauts ne résultant pas de la fabrication. Les dommages résultant d'un usage incorrect ou abusif, d'un accident, de modifications, d'un manque d'entretien ou de maintenance, ou d'une tension incorrecte. Les dommages résultant d'un usage autre que l'usage ménager. Les dommages résultant d'un entretien ou de réparations par quiconque autre qu'un distributeur ou centre de réparations agréé. Garnitures décoratives ou ampoules pouvant être remplacées. Transport et Frais d'envoi. Main d'œuvre (après la période initiale de 12 mois) CETTE GARANTIE LIMITEÉ REMPLACE TOUTE AUTRE GARANTIE EXPRESSE OU IMPLICITE, Y COMPRIS LES GARANTIES DE VALEUR MARCHANDE OU D'ADÉQUATION A UN USAGE PRECIS

Le recours offert dans cette garantie est exclusif et est accordé à l'exclusion de tout autre.

La garantie ne couvrant pas les dommages directs et indirects, les limitations ci-dessus peuvent ne pas s'appliquer à tous les cas. Certains états ne permettant pas la limitation de la durée des garanties implicites, les limitations ci-dessus peuvent ne pas s'appliquer à tous les cas. Cette garantie confère à l'acheteur des droits spécifiques et celui-ci peut bénéficier d'autres droits qui varient selon les états.

Haier America
New York, NY 10018

INSTRUCCIONES PRECAUTORIAS

Cuando utilice este aparato, siempre ejerza las precauciones de seguridad básicas, incluyendo las siguientes:

- 1) **Lea todas las instrucciones antes de utilizar este aparato.**
- 2) Use este enfriador de vino solamente para el propósito que fue creado como se describe en esta guía de usos y cuidados.
- 3) Este enfriador de vino debe de ser instalado apropiadamente de acuerdo con las instrucciones de instalación antes de ser usado. Vea las instrucciones de conexión a tierra en la sección de instalación.
- 4) Nunca desconecte el enfriador de vino jalando del cordón. Siempre sujete la clavija firmemente y jálela hacia fuera del tomacorriente.
- 5) Repare o reemplace inmediatamente todos los cables eléctricos que se hayan quemado o dañado. No utilice un cable que muestre grietas o abrasiones a lo largo del mismo o en la clavija o el conector.
- 6) Desconecte el enfriador de vino antes de limpiarlo o del mantenimiento general. Nota: No intente repararlo usted mismo. Llame a un agente calificado para cualquier reparación.
- 7) Si usted está reemplazando un enfriador de vino antiguo, retire las puertas del mismo antes de guardarlo o desecharlo, y deje los estantes en lugar. Esto reducirá la posibilidad de peligro a los niños.
- 8) No opere el enfriador de vino en la presencia de humos explosivos.
- 9) No guarde comida en el enfriador de vino, ya que la temperatura dentro del mismo puede no ser lo suficientemente fría para prevenir la descomposición de la comida.

**GUARDE ESTAS INSTRUCCIONES
para referencia futura.**

PELIGRO

Existe el riesgo de que los niños puedan quedar atrapados dentro. Antes de tirar su enfriador de vino, quite las puertas. Deje los anaqueles en su lugar para que los niños no puedan entrar fácilmente en el interior.

Gracias por utilizar nuestro producto Haier.
Este sencillo manual le orientará con respecto al mejor uso que puede darle a su enfriador de vino.

Recuerde tomar nota del modelo y número de serie. Ambos se encuentran impresos en una etiqueta en la parte posterior del enfriador de vino.

Número de Modelo

Número de Serie

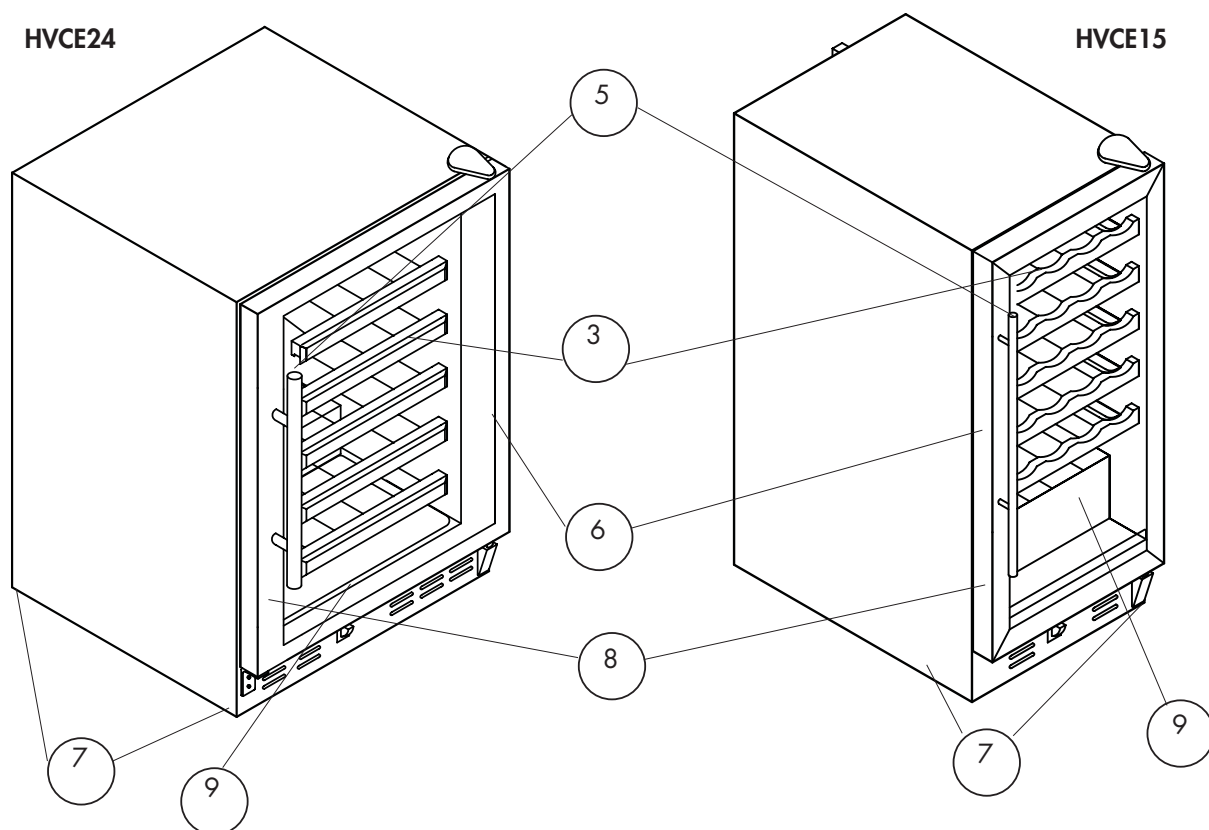
Fecha de Compra

Agrafez le ticket de caisse au guide. **Il devra être présenté pour tout service après-vente sous garantie.**

INDICE

	PAGINA
Instrucciones Precautorias	1
Piezas y Características	4
Instalación de su Refrigerador del Vino	5
Desempaque de su Refrigerador del Vino	5
Nivelación de su Refrigerador del Vino	5
Requisitos Eléctricos	5
Uso de Alargues	5
Características y uso del Refrigerador del Vino	6
Programación Inicial	6
Anaqueles	7
Luz Interior.	7
Ruidos de Operacion normales que Pueda Escuchar.....	7
Instalación del Enfriador de Vino	8
Limitaciones.....	8
Dimensiones	8
Cambio de la Instalación de la Puerta.....	9
Reemplazo de las Bombillas.....	11
Cuidados y Limpieza Asecuada del Refrigerador del Vino.....	12
Limpieza y Mantenimiento	12
Interrupciones de la Corriente Eléctrica.....	12
Vacaciones y Mudanza	12
Verificación de Problemas	13
Información de Garantía.....	14

PIEZAS Y CARACTERÍSTICAS



	1. capacidad de la botella	2. control de la temperatura ajustable	3. *estanteric	4. luz interior	5. poignée de porte	6. ajuste de la puerta	7. nivelación de las piernas	8. puerta revers- ible	9. cristal teñido
HVCE15	26	electrónico (no demost- rado)	desliza- miento hacia fuera con el woodtrim	si manual (no demost- rado)	tipo apretón del tubo	metal cepillado o Negro	4 (no demost- rado)	si	azul UV-gris
HVCE24	50	electrónico (no demost- rado)	desliza- miento hacia fuera con el woodtrim	si manual (no demost- rado)	tipo apretón del tubo	metal cepillado o Negro	4 (no demost- rado)	si	azul UV-gris

* La cantidad y el estilo variarán por el modelo comprado.

INSTALACIÓN DE SU REFRIGERADOR DEL VINO

Desempaque de su Refrigerador del Vino

1. Retire todo el material de embalaje. Esto incluye la base de espuma y toda la cinta adhesiva que sostiene los accesorios del refrigerador del vino en el interior y exterior. Deslice y saque la protección de plástico o espuma usada para proteger al compresor de daños durante el envío debido a la vibración y los golpes.
2. Inspeccione y retire cualesquier restos del embalaje, la cinta adhesiva o los materiales impresos antes de encender el refrigerador del vino.

Nivelación de su Refrigerador del Vino

- Su refrigerador del vino tiene cuatro piernas de nivelación que estén situadas en las esquinas delanteras y posteriores de su refrigerador del vino. Después de haber colocado su refrigerador en la posición definitiva, puede nivelar su refrigerador del vino.
- Puede ajustar las patas niveladoras girándolas a la derecha para elevar el refrigerador del vino y girándolas a la izquierda para bajarlo. La puerta del refrigerador del vino cerrará con más facilidad cuando las patas niveladoras son elevadas.

Requisitos Eléctricos

- Asegúrese de que haya un tomacorriente apropiado (115 V, 15 Amp.) con una conexión a tierra apropiada para hacer funcionar el refrigerador del vino.
- Evite el uso de adaptadores de tres patas o el cortar la tercer pata de conexión a tierra para poder conectar en un tomacorriente bifásico. Esto sería una práctica muy peligrosa ya que no proveería al refrigerador del vino con una conexión a tierra adecuada y podría resultar un riesgo de descarga eléctrica.

Uso de Alargues

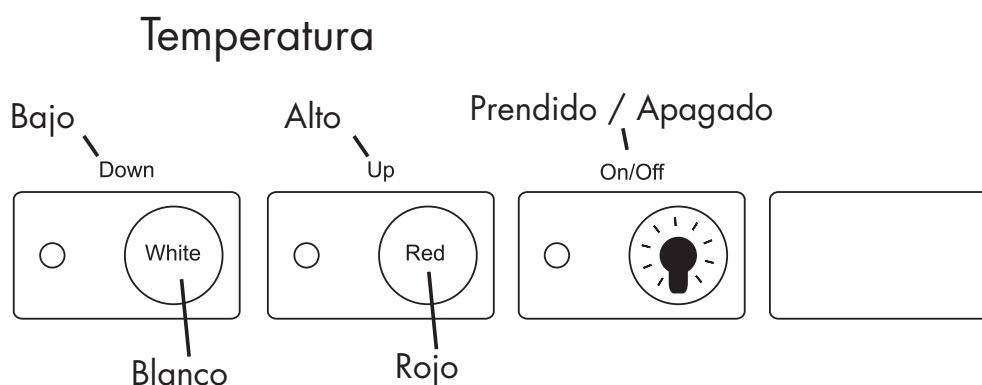
- Evite el uso de alargues para mayor seguridad. Si fuese necesario utilice solamente un alargue de tres cables que posea un enchufe de tres patas.

CARACTERÍSTICAS Y USO DEL REFRIGERADOR DEL VINO CARACTERÍSTICAS

Programación Inicial

HVCE15 / HVCE24

- El enfriador de vino está programado de fábrica para que automáticamente se ajuste a los requerimientos de temperatura para los vinos tinto o blanco. Si usted en su mayoría guarda vinos blancos, presione el botón de "White wine" (vino blanco) y el enfriador de vino mantendrá una temperatura promedio entre 7° y 10°C. Al presionar el botón de "Red Wine" (vino tinto), mantendrá una temperatura promedio de 13° a 15°C.
- El enfriador de vino puede programarse a cualquier temperatura que usted desee dependiendo de las necesidades de enfriamiento que usted necesite. Para programar la temperatura, presione ambos botones de "White Wine" y el "Red Wine" simultáneamente y manténgalos oprimidos por aproximadamente 3 segundos. Ahora usted se encuentra en la modalidad de programación de la temperatura. Para disminuir la temperatura oprima el botón "White Wine" y para incrementarla oprima el botón "Red Wine". Al presionar el botón 3 veces usted ajustará la temperatura 3 grados, oprima 4 veces y dará como resultado 4 grados, 5 veces y serán 5 grados y así sucesivamente. Una vez que haya seleccionado la temperatura deseada, oprima el botón "On/Off" (Luz). Ahora el enfriador de vino ha sido programado y la pantalla LED retornará a la temperatura interna actual.
- Habrá una variante de 3 grados +/- entre la temperatura que usted seleccionó y la temperatura indicada en la pantalla LED. Esto ocurre porque el enfriador de vino se activa y desactiva tratando de mantener la temperatura que usted programó. Hay a menudo una variante de 10° entre los anaqueles superiores e inferiores del enfriador de vino. De manera que si usted ha programado el enfriador de vino a 50° y tiene una mezcla de vino tinto y vino blanco, usted deberá poner el vino blanco en el anaquel inferior donde la temperatura será de 7°C y colocar el vino tinto en el anaquel superior donde la temperatura será de 13°C.



Anaqueles

(varíe en diversos modelos)

- Los estantes están revestidos plateado del cromo dependiendo de su modelo comprado. Se diseñan para la flexibilidad y la limpieza fácil. Los estantes se diseñan para permitir el movimiento de aire libre y proporcionan más espacio.

Luz Interior

- Para complementar la mirada de su colección del vino, una luz suave se ha construido en el refrigerador del vino. El interruptor ligero está en el fondo delantero, o en el panel de control electrónico dependiendo del modelo comprado.

Ruidos de Operación Normales que Pueda Escuchar

- Agua hirviendo, ruidos gorgoteantes o ligeras vibraciones que son el resultado del gas refrigerante circulando a través del serpentín de enfriamiento.
- La commande de thermostat cliquettera quand elle fait un cycle en marche et en arrêt.

INSTALACIÓN DEL ENFRIADOR DE VINO

Limitaciones de Instalación

- No instale su refrigerador del vino en ningún lugar que no tenga el aislamiento o la calefacción apropiada, por ejemplo una cochera, etc. Su refrigerador del vino no fue diseñado para funcionar en temperaturas abajo de los 12° Centígrados (55°F).
- Seleccione un lugar adecuado para el refrigerador del vino sobre una superficie sólida y nivelada alejado de los rayos directos del sol o de una fuente de calor como la de los radiadores, rejillas de calefacción, estufas, etc. Cualquier desnivelación del piso debe ser corregido con las patas niveladoras ubicadas en las esquinas inferiores frontales del refrigerador del vino.

Dimensiones

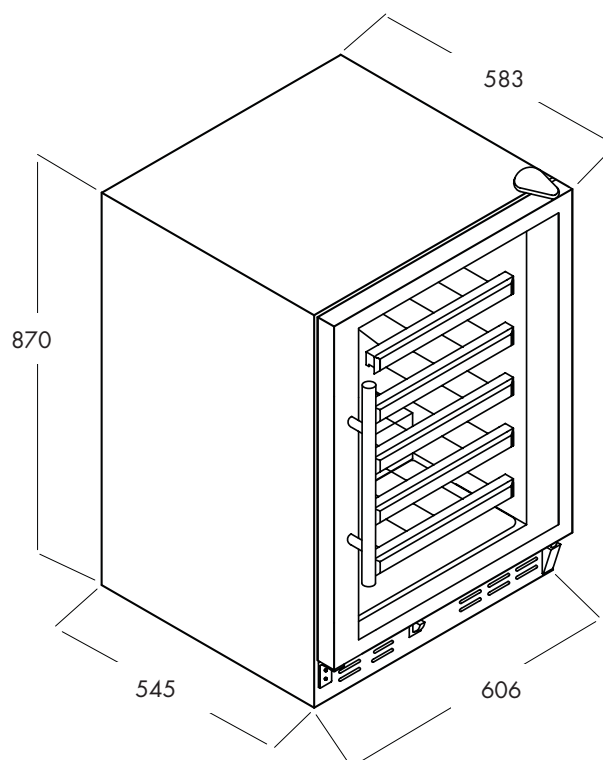
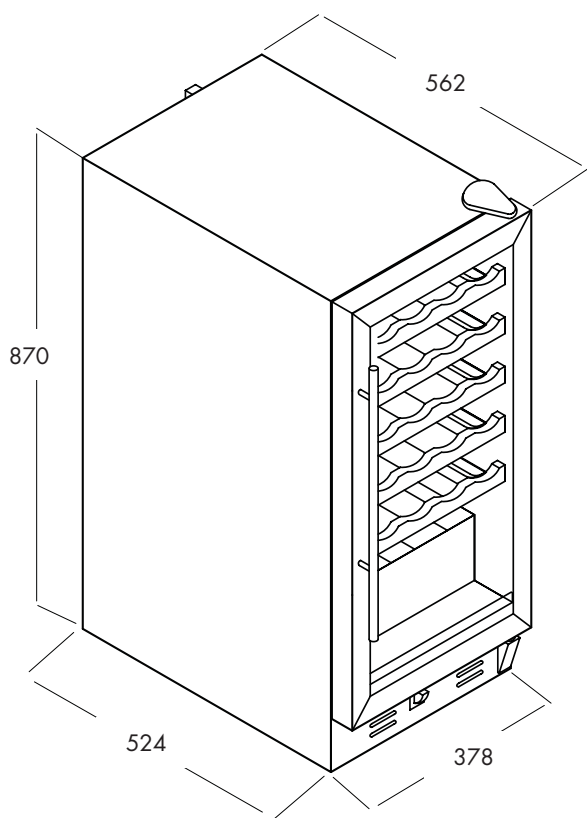
- Los enfriadores de vino, incorporados, necesitan ventilación por el frente. Esta característica de su diseño permite que la unidad pueda instalarse en un espacio cerrado. La parrilla en la parte de abajo del frente de la unidad debe quedar libre de toda obstrucción. Esto es absolutamente necesario para que el aire pueda circular y la unidad opere eficientemente. Las dimensiones para la instalación son las siguientes (Largo x Ancho x Altura):

Dimensiones De la Unidad

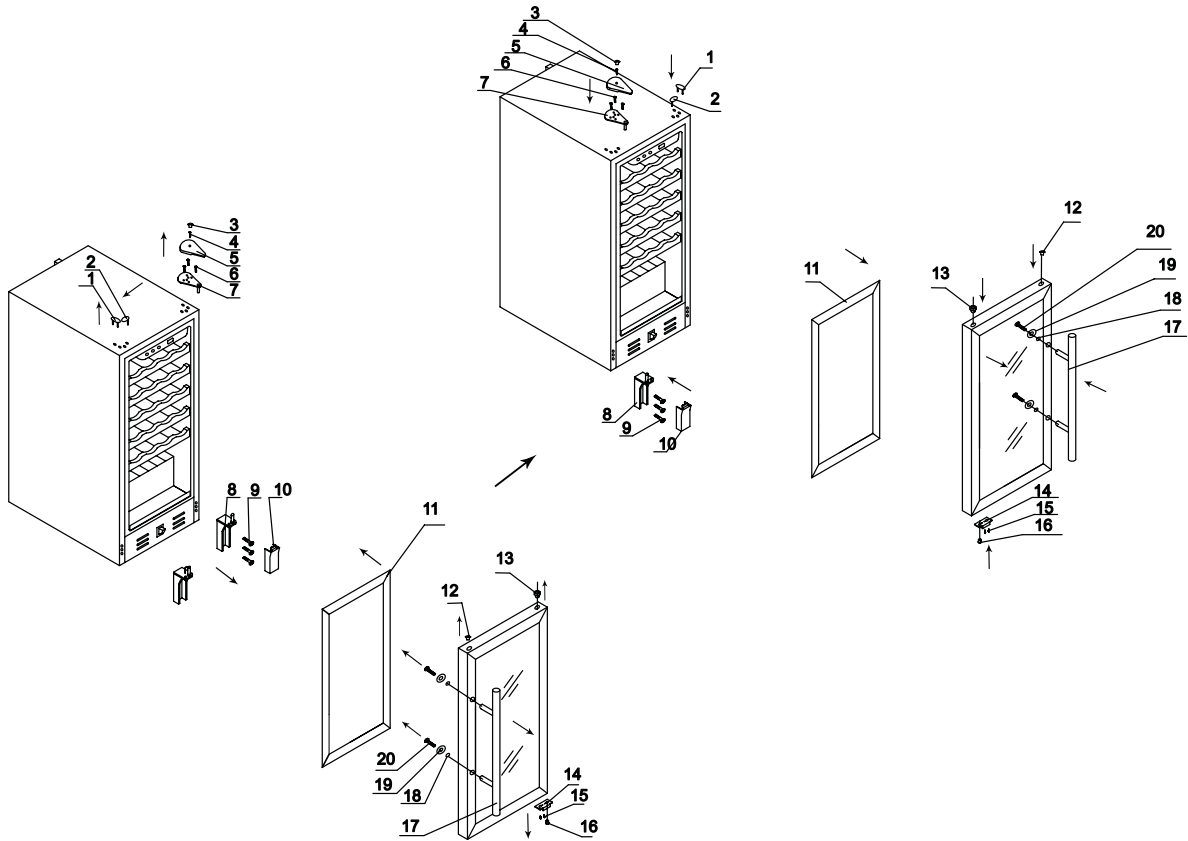
MODEL	W	D1	D2	H
HVCE15	378	524	562	870
HVCE24	606	545	583	870

Construir-En Dimensiones

MODEL	W	D	H
HVCE15	381	610	876
HVCE24	610	610	889



Cambio de la Instalación de la Puerta



- | | |
|---|--|
| 1. La cubierta del agujero 1 de la bisagra superior | 10. La cubierta de la bisagra inferior |
| 2. La cubierta del agujero 2 de la bisagra superior | 11. El burlete de la puerta |
| 3. La cubierta del tornillo de la bisagra superior | 12. La cubierta del agujero |
| 4. La cubierta del tornillo de la bisagra superior | 13. El buje de los ejes de la bisagra superior |
| 5. La cubierta de la bisagra | 14. La traba de puerta |
| 6. El tornillo de la bisagra superior | 15. El tornillo del buje de los ejes |
| 7. La bisagra superior | 16. El buje de los ejes de la bisagra inferior |
| 8. La bisagra inferior | 17. La manija |
| 9. El tornillo de la bisagra inferior | 18. La junta de muelle |
| | 19. Junta plana |
| | 20. El tornillo de manija |

1. Retire la cubierta del tornillo de la cubierta de la bisagra superior. Utilice un destornillador Phillips para quitar el tornillo que sostiene la cubierta de la bisagra superior en su lugar.

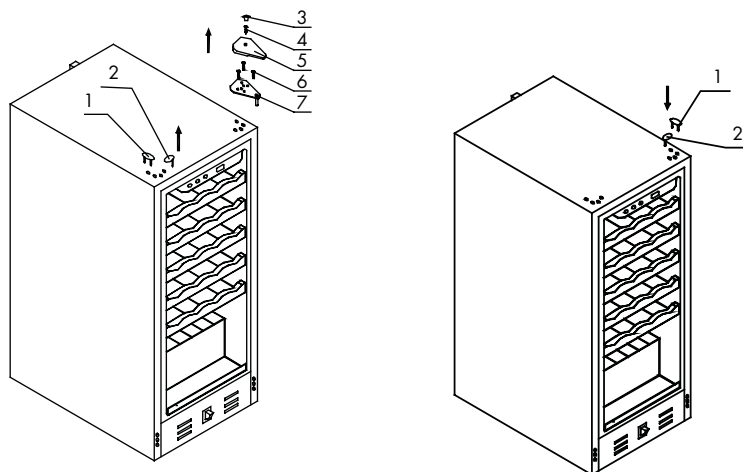
Retire la cubierta de la bisagra superior.

Afloje y quite los tornillos que sostienen la bisagra superior en su lugar.

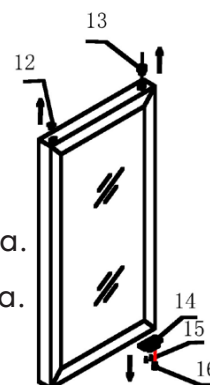
Nota: Asegúrese de sostener la puerta para evitar que caiga o se dañe.

Levántela y ubíquela a un lado por ahora

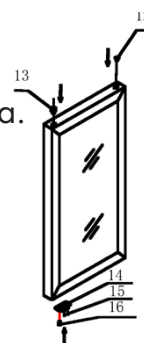
- 9 Retire las dos cubiertas de los agujeros para la bisagra superior (lado izquierdo) y póngalas a un lado.



2. Retire la cubierta del agujero dellado izquierdo superior de la puerta.
Retire el bloque de la bisagra superior del lado derecho de la puerta.



Coloque el bloque de la bisagra superior del lado izquierdo de la puerta.
Coloque la cubierta del agujero en el agujero de la derecha.



3. Retire la cubierta de la bisagra inferior derecha

Afloje y quite los tornillos que sostienen la bisagra inferior derecha en su lugar.

Retire el tope de la puerta de la parte izquierda inferior y vuelva a colocarlo en la parte derecha inferior (donde acaba de quitarse la bisagra).

Destornille y cambie el pasador de la posición de la derecha en la bisagra a la posición de la izquierda en la bisagra. (Es necesaria una llave de dado hexagonal de 9/32").

Ubique la bisagra inferior que retiró del lado derecho inferior en el lado izquierdo inferior y ajústela con los tornillos.

Vuelva a colocar la cubierta de la bisagra inferior.

4. Recueste la puerta sobre una superficie firme.

Retire el burlete de la puerta (junta) de la parte de atrás de la puerta

Nota: No utilice instrumentos filosos (cuchillo, etc.).

Retire las cubiertas de los agujeros del lado derecho de adelante de la puerta.

Utilice un destornillador Phillips para quitar los dos (2) tornillos que sostienen la manija de la puerta en su lugar del lado izquierdo.

Nota: No pierda la arandela.

Ubique el primer tornillo en el agujero superior del lado derecho y atornille la manija. (No ajuste completamente en este momento).

Ubique el segundo tornillo en el agujero inferior, atornille la manija y ajuste.

Ahora ajuste el primer tornillo (el de arriba) completamente.

Vuelva a colocar la cubierta del agujero que retiró antes en los agujeros abiertos en el lado izquierdo de adelante de la puerta.

5. Tome la puerta con la mano y ubique el agujero izquierdo inferior de la puerta sobre el pasador de la bisagra izquierda de abajo y colóquela en su lugar.

Nota: Asegúrese de sostener la puerta para evitar que caiga o se dañe.

Tome la bisagra superior que retiró antes y ubíquela en el agujero izquierdo superior de la puerta.

Tome los tornillos y ajuste la bisagra superior al gabinete de la unidad.

Nota: Asegúrese de que la puerta esté nivelada y que cierre correctamente (que no queden huecos). Si no lo está, afloje los tornillos de la bisagra superior levemente, acomode la puerta y vuelva a ajustar. Repita esta operación hasta que la puerta esté nivelada y cierre correctamente.

Vuelva a colocar la cubierta de la bisagra y ajuste con el tornillo. Vuelva a ubicar la cubierta de los tornillos.

REEMPLAZO DE LA BOMBILLA DE LUZ

1. Apague la corriente eléctrica y desenchufe el cable de alimentación del enfriador de vinos.
2. Para remover la cubierta de la bombilla use un destornillador Philips para sacar los 2 tornillos.
3. Verifique que la bombilla está fría, antes de removerla. Reemplácela usando una bombilla de no más de 10 vatios.
4. Una vez que la bombilla ha quedado segura, vuelva colocar la cubierta de la bombilla usando nuevamente ambos tornillos.
5. Vuelva a poner la unidad en su graduación original una vez que ha enchufado el cable de alimentación.

Cuidados y Limpieza Asecuada del Refrigerador del Vino

Advertencia:

- Para evitar una descarga eléctrica siempre desenchufe su refrigerador del vino antes de limpiarlo. El ignorar esta advertencia puede causar esiones o la muerte.

Precaución:

- Antes de usar productos de limpieza, siempre lea y siga las instrucciones y advertencias del fabricante para evitar lesiones personales o daños al producto.

En general:

- Prepare una solución de limpieza de 3-4 cucharadas de bicarbonato de sodio mezclado con agua tibia. Use una esponja o un trapo suave, humedecidos con la solución de limpieza, para limpiar su refrigerador del vino.
- Enjuague con agua limpia tibia y seque con un trapo suave.
- No use químicos fuertes, abrasivos, amoníaco, cloro, detergentes concentrados, disolventes o estropajos metálicos. ALGUNOS de estos químicos pueden disolver, dañar y/o decolorar su refrigerador del vino.

Empaques de la puerta:

- Limpie los empaques de la puerta cada tres meses de acuerdo a las instrucciones generales. Los empaques deben mantenerse limpios y flexibles para asegurar un sellado apropiado.
- El aplicar un poco de vaselina en el lado articulado de los empaques mantendrá el empaque flexible y asegurará un sellado apropiado.

Interrupciones de Energía

- Pueden ocurrir ocasionalmente interrupciones de energía debido a tormentas eléctricas u otras causas. Desenchufe el cable eléctrico del tomacorriente de corriente alterna cuando ocurra una interrupción en el sistema eléctrico. Cuando la electricidad haya regresado, vuelva a conectar el cable eléctrico a un tomacorriente de corriente alterna.

Vacaciones y Mudanza

- Para las vacaciones o las ausencias largas, desenchufe el refrigerador del vino y limpie las juntas del refrigerador y de la puerta del vino según la sección de la "Limpieza General". Mantenga las puertas abiertas para que el aire pueda circular en el interior. Al mudarse, siempre traslade el refrigerador del vino verticalmente. No lo traslade con la unidad colocada horizontalmente. Pudiera ocurrir un posible daño el sistema sellado.

VERIFICACIÓN DE PROBLEMAS

El Refrigerador de Vino no Funciona:

- Revise que el refrigerador del vino esté conectado.
- Revise que haya corriente eléctrica en el tomacorriente de corriente alterna, revisando el interruptor de circuito.

El Vino Aparece Demasiado Caliente:

- Apertura constante de la puerta.
- Dé un plazo de la hora para el vino recientemente agregado de alcanzar temperatura deseada.
- Revise que los empaques estén bien sellados.
- Limpie el serpentín del condensador.
- Ajuste el control de temperatura al ajuste más frío.

El Vino Aparece Demasiado Frío:

- Si la configuración del control de la temperatura es demasiado fría, ajuste a una configuración más caliente

El Refrigerador de Vino se Enciende Frecuentemente:

- Esto puede ser normal para mantener una temperatura constante durante temperaturas altas y días húmedos.
- Las puertas pudieron haberse abierto frecuentemente o durante un largo periodo de tiempo.
- Limpie el serpentín del condensador.
- Revise que el empaque esté bien sellado.
- Revise que las puertas estén completamente cerradas.

Acumulación de humedad en el interior o exterior del refrigerador del vino:

- Esto es normal durante periodos de alta humedad.
- Apertura constante o prolongada de la puerta.
- Revise que los empaques de la puerta estén bien sellados.

La puerta del refrigerador del vino no funciona:

- Nivele el refrigerador del vino.
- Controle para saber si hay obstrucciones tales como botellas y estantes del vino.

GARANTIA LIMITADO

¿Qué está cubierto y por cuánto tiempo?

Esta garantía cubre cualquier defecto en la manufactura o empleo de materiales por un plazo de:

12 meses de mano de obra

12 meses en componentes

5 años en el sistema sellado

La garantía comienza en la fecha de compra del artículo, y la factura original de compra debe presentarse al centro de servicio autorizado para poder efectuar cualquier reparación que esté bajo garantía.

EXCEPCIONES: Garantía por Uso Comercial o Bajo Arrendamiento

90 meses en mano de obra

(únicamente en taller)

90 días en componentes

Ninguna otra garantía es válida

¿Qué está cubierto?

1. Los componentes mecánicos y eléctricos que cumplen con alguna función de este aparato durante un plazo de 12 meses. Esto incluye cualquier componente con excepción de acabados y molduras.
2. Los componentes del sistema sellado, como por ejemplo: compresor hermético, condensador, y evaporador, por defectos de manufactura durante un plazo de 5 años a partir de la fecha de compra. Cualesquier daños a tales componentes causados por abuso mecánico o manejo o transportación inadecuada no serán cubiertos.

¿Qué se hará?

1. Repararemos o reemplazaremos, a discreción nuestra, cualquier componente mecánico o eléctrico que se muestre defectuoso por uso normal durante el plazo así especificado.
2. No habrá cargos para el comprador por las partes y la mano de obra en cualesquier artículos cubiertos durante el periodo inicial de 12 meses. Al término de este periodo solo las partes son cubiertas en la garantía restante. La mano de obra no está provista y debe ser cubierta por el cliente.

3. Localice su centro de servicio autorizado más cercano. Para conocer el nombre del centro de servicio más próximo a su domicilio, por favor llame al 1-877-337-3639 (Válido solo en E.U.A).

ESTA GARANTIA CUBRE APARATOS DENTRO DEL TERRITORIO CONTINENTAL DE LOS ESTADOS UNIDOS, PUERTO RICO Y CANADÁ.

Daños por instalación inadecuada.

Daños por transportación.

Defectos que no sean por manufactura.

Daños por negligencia, abuso, accidente, alteración, falta de cuidado adecuado y de mantenimiento, o conexión a tensión eléctrica incorrecta.

Daños que no sean por uso doméstico.

Daños por servicio que no sea proporcionado a través de un distribuidor o centro de servicio autorizado. Molduras decorativas o focos reemplazables. Envío y transportación.

Mano de obra (después de los primeros 12 meses).

ESTA GARANTIA LIMITADA ES PROVISTA EN SUSTITUCION A CUALQUIER OTRA GARANTIA EXPRESADA O QUE IMPLIQUE LAS GARANTIAS MERCANTILES SUJETAS A CIERTO PROPOSITO.

El amparo provisto por esta garantía es de uso exclusivo y se otorga en sustitución a cualquier otro amparo.

Esta garantía no cubre daños incidentales o sus derivados, por lo que las anteriores restricciones pueden serle ajenas. En ciertos estados no se permiten restricciones en lo que se refiere a la duración implícita de una garantía, por lo que las anteriores restricciones pueden serle ajenas. Esta garantía le otorga ciertos derechos legales y es posible que usted goce de otros derechos, los cuales varían de estado a estado.

Haier America
New York, NY 10018

IMPORTANT

Do Not Return This Product To The Store

If you have a problem with this product, please contact the "Haier Customer Satisfaction Center" at 1-877-337-3639.

DATED PROOF OF PURCHASE REQUIRED FOR WARRANTY SERVICE

IMPORTANT

Ne pas Réexpédier ce Produit au Magasin

Pour tout problème concernant ce produit, veuillez contacter le service des consommateurs 'Haier Customer Satisfaction Center' au 1-877-337-3639.

UNE PREUVE D'ACHAT DATEE EST REQUISE POUR BENEFICIER DE LA GARANTIE.

IMPORTANTE

No regrese este producto a la tienda

Si tiene algún problema con este producto, por favor contacte el "Centro de Servicio al Consumidor de Haier" al 1-877-337-3639 (Válido solo en E.U.A).

NECESITA UNA PRUEBA DE COMPRA FECHADA PARA EL SERVICIO DE LA GARANTIA

115V, 60 Hz

**Made in China
Fabriqué en Chine
Hecho en China**

Haier®

**Haier America
New York, NY 10018**

Printed in China

Part # RF-9999-C1
HVCE15/HVCE24 - 03
©2007 Haier America Trading, LLC. All Rights Reserved. 100238 0607

Free Manuals Download Website

<http://myh66.com>

<http://usermanuals.us>

<http://www.somanuals.com>

<http://www.4manuals.cc>

<http://www.manual-lib.com>

<http://www.404manual.com>

<http://www.luxmanual.com>

<http://aubethermostatmanual.com>

Golf course search by state

<http://golfingnear.com>

Email search by domain

<http://emailbydomain.com>

Auto manuals search

<http://auto.somanuals.com>

TV manuals search

<http://tv.somanuals.com>