

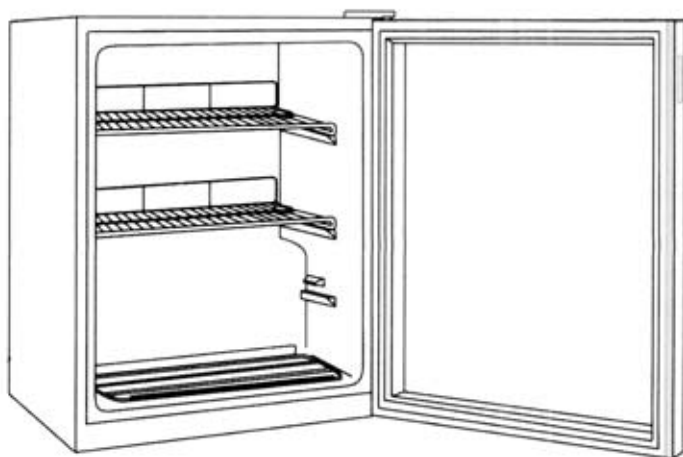
**Wine Cellar**

---

**Rafrâchisseur á Vin**

---

**Enfriador de Vina**



**User Manual**

Model # HVH014A, HVH019A, HVH025A

---

**Guide de l'Utilisateur**

Modèle # HVH014A, HVH019A, HVH025A

---

**Manual del Usuario**

Para Modelo de # HVH014A, HVH019A, HVH025A

**Haier**

Download

Quality ■ Innovation ■ Style

# SAFETY PRECAUTIONS

**Read all of the instructions before using this appliance.**

**When using this appliance, always exercise basic safety precautions, including the following:**

- 1) Use this appliance only for its intended purpose as described in this use and care guide.
- 2) This wine cooler must be properly installed in accordance with the installation instructions before it is used. See grounding instructions in the installation section.
- 3) Never unplug your wine cooler by pulling on the power cord. Always grasp the plug firmly and pull straight out from the outlet.
- 4) Repair or replace immediately, all electric service cords that have become frayed or otherwise damaged. Do not use a cord that shows cracks or abrasion damage along its length, the plug or the connector end.
- 5) Unplug your wine cooler before cleaning or before making any repairs.  
**Note:** *If for any reason this product requires service, we strongly recommend that a certified technician performs the service.*
- 6) If your wine cooler is not being used, we recommend that you remove the door and leave the shelves in place. This will reduce the possibility of danger to children.
- 7) This wine cooler should not be recessed or built-in an enclosed cabinet. It is designed for freestanding installation only.
- 8) Do not operate your wine cooler in the presence of explosive fumes.
- 9) Do not store foods in wine cooler as interior temperature may not be cool enough to prevent spoilage.

## SAVE THESE INSTRUCTIONS

# DANGER

**Risk of child entrapment. Before you throw away your old wine cooler, take off the doors. Leave the shelves in place so that children may not easily climb inside.**

Thank you for using our Haier product. This easy-to-use manual will guide you in getting the best use of your wine cooler.

Remember to record the model and serial number. They are on a label in back of the wine cooler.

---

*Model number*

---

*Serial number*

---

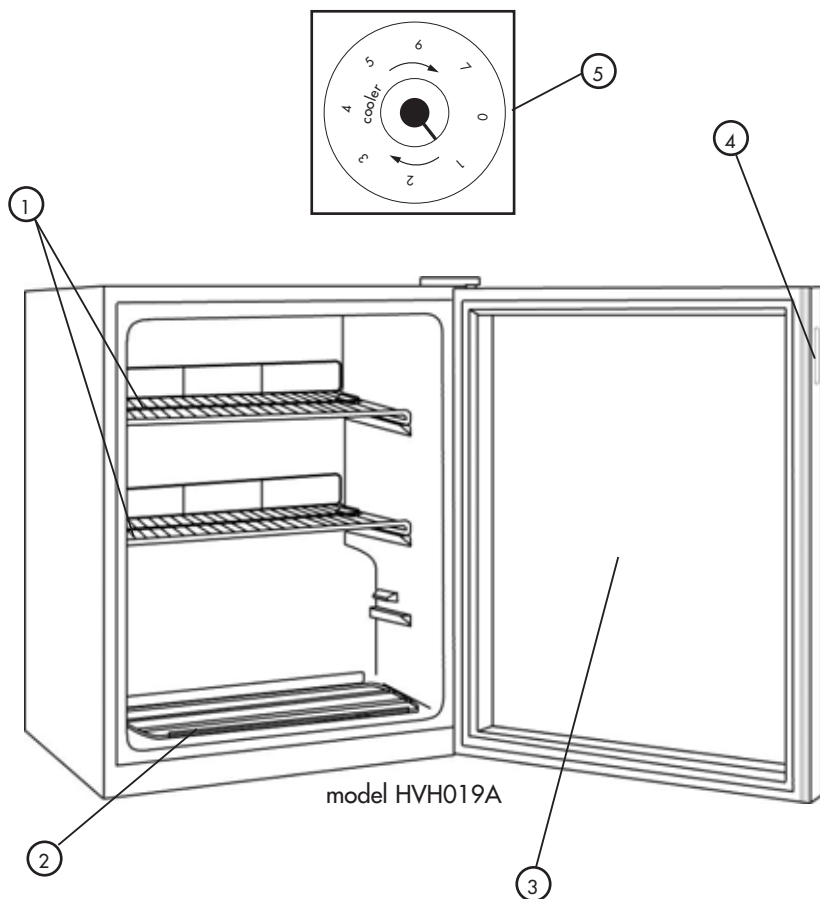
*Date of purchase*

Staple your receipt to your manual. **You will need it to obtain warranty service.**

# Table Of Contents

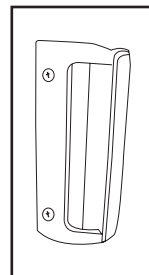
	PAGE
<b>Safety Precautions</b> .....	1
<b>Parts And Features</b> .....	4
<b>Installing Your Wine Cooler</b> .....	5
Unpacking Your Wine Cooler .....	5
Leveling Your Wine Cooler .....	5
Proper Air Circulation .....	5
Electrical Requirements .....	6
Use of Extension Cords .....	6
Installation Limitations .....	6
Door Alignment .....	6
Door Reversal .....	7-8
<b>Wine Cooler Features And Use</b> .....	9
Initial Set Up .....	9
Temperature Adjustment .....	9
Shelving .....	10
Normal Operating Sounds .....	10
<b>Proper Wine Cooler Care and Cleaning</b> .....	11
Cleaning and Maintenance .....	11
Power Interruptions .....	12
Vacation and Moving Care .....	12
<b>Troubleshooting</b> .....	13
<b>Warranty Information</b> .....	14

# Parts And Features



1. Removable Wire Storage Shelf  
(quantity varies by model)
2. 1 Half-Width Wire Storage Rack
3. See-Through Glass Door
4. Pocket Handle (not in all models)
5. Adjustable Temperature Control  
(located on the back of unit)

**NOTE:** The "BH" series has a grip handle.



# Installing Your Wine Cooler

## Unpacking Your Wine Cooler

1. Remove all packaging material. This includes the foam base and all adhesive tape holding the wine cooler accessories inside and outside.
2. Inspect and remove any remains of packing, tape or printed materials before powering on the wine cooler.

## Leveling Your Wine Cooler

- Your wine cooler has two leveling legs which are located in the front of your wine cooler. After properly placing your wine cooler in its final position, you can level your wine cooler.
- Leveling legs can be adjusted by turning them clockwise to raise your wine cooler or by turning them counterclockwise to lower your wine cooler. The wine cooler door will close easier when the leveling legs are extended.
- Also, there is an adjustable support for the lower door hinge. (see fig.5) After leveling the Beverage Center, adjust the hinge support, up or down as needed until it rests on the surface on which that unit is placed.

## Proper Air Circulation

- To assure your wine cooler works at the maximum efficiency it was designed for, you should install it in a location where there is proper air circulation, plumbing and electrical connections.
- The following are recommended clearances around the wine cooler:  
Sides.....2 "(50mm)  
Top.....2" (50mm)  
Back.....2" (50mm)
- Do not over fill your wine cooler for proper internal air circulation.

## Electrical Requirement

- Make sure there is a suitable power Outlet (115 volts, 15 amps outlet) with proper grounding to power the wine cooler.
- Avoid the use of three plug adapters or cutting off the third grounding in order to accommodate a two plug outlet. This is a dangerous practice since it provides no effective grounding for the wine cooler and may result in shock hazard.

## Use of Extension Cords

- Avoid the use of an extension cord because of potential safety hazards under certain conditions. If it is necessary to use an extension cord, use only a 3-wire extension cord that has a 3-blade grounding plug and a 3-slot outlet that will accept the plug. The marked rating of the extension cord must be equal to or greater than the electrical rating of the appliance.

## Install Limitations

- Do not install your wine cooler in any location not properly insulated or heated e.g. garage etc. Your wine cooler was not designed to operate in temperature settings below 55° Fahrenheit.
- Select a suitable location for the wine cooler on a hard even surface away from direct sunlight or heat source e.g. radiators, baseboard heaters, cooking appliances etc. Any floor unevenness should be corrected with the leveling legs located on the front and rear bottom corners of the wine cooler.
- Your wine cooler is designed for free-standing installation only. It is not designed for built-in application.

## Door Alignment (see fig. # 1)

1. Remove hinge cover screw.
2. Remove the top hinge cover.
3. Loosen the top hinge screws using a Phillips Head Screwdriver.
4. Adjust the door or put a spacer in between and then tighten the screws.
5. Replace the top hinge cover.

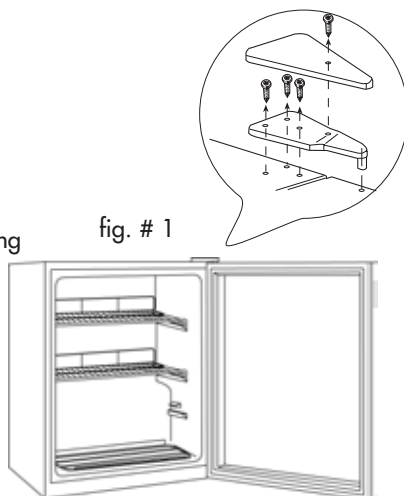


fig. # 1

## Reversing the Door Hinge

1. Remove the top hinge cover screw and then remove the top hinge cover. (see fig. # 1)
2. Using a Phillips Head Screwdriver, loosen and remove the screws holding the top hinge in place. (see fig. # 1)
3. Remove the top hinge and carefully lift off the door.
4. Remove the screw hole plugs from the opposite side and insert the plug in the screw hole openings of the just removed screws. (see fig. # 2)
5. Unscrew the door pin from the bracket of the lower hinge by turning counter clockwise. Move the pin to the opposite hole and tighten. (see fig. # 3)
6. Loosen the screws holding the lower hinge bracket and remove the hinge.(see fig. # 3) Tilt unit slightly towards back and remove the lower hinge support.
7. Align the holes in the lower hinge bracket to the corresponding holes in the opposite side of the cabinet. Insert and tighten the screws.(see fig. # 3)
8. Align the bottom hole on the left side of the door with the pin of the lower hinge and slide into place. Tilt unit slightly back to replace the lower hinge support. Adjust up or down as needed until it is just touching the surface on which that unit is placed.

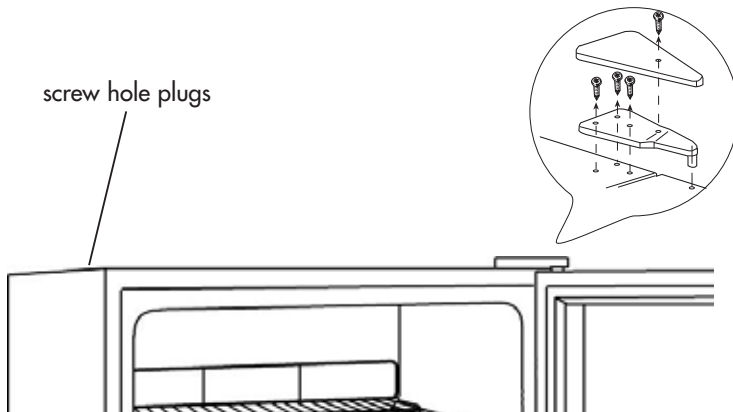
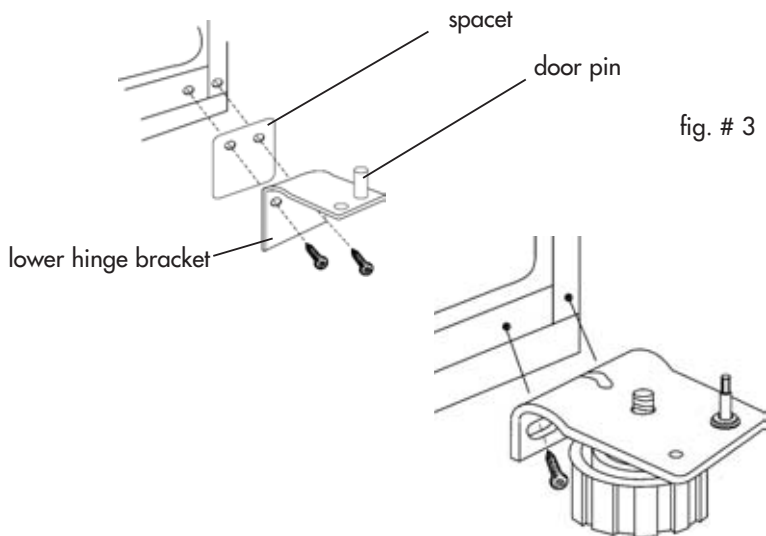


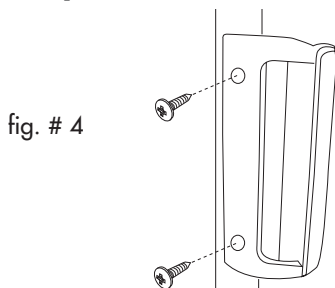
fig. # 2



9. Align the pin of the top hinge with top hole on the left side of the door and push into place. Replace the screws in the upper hinge bracket but do not tighten all the way. (see fig. # 2)
10. Make sure the door closes easily but forms a tight seal. Adjust the door as needed. Once you are satisfied with the door alignment, completely tighten the upper door hinge screws.
11. Replace the hinge cover, insert the screw and tighten completely. (see fig. # 2)
12. If the door does not close properly, refer to the section titled "Door Alignment".
13. In some models you may have to install the door grip handle to the opposite side.



### Installing Grip Door Handle: (Not in all models) (see fig. #4)



As shown in the above figure, install the door handle with the supplied screws.

# Wine Cooler Features And Use

## Initial Setup

### Mechanical Controlled Units:

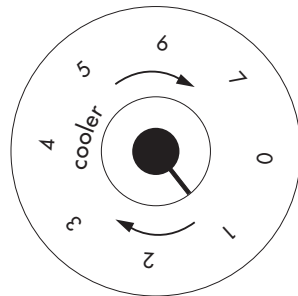
The control for this is on the back of the unit. There are 7 settings plus 0 (OFF). Initially set the temperature setting to 3. Let the unit run for at least 30 minutes to acclimate itself before making any adjustments.

## Temperature Adjustments:

**Mechanical Control Unit:** See fig. #5

- Your wine cooler has a temperature control knob on the back of the unit. There are 7 settings: 1 being the warmest and 7 being the coolest. You can set the temperature of your wine cooler at any setting you desire.

fig. # 5



## Shelving See fig. #6

- The shelves are designed for flexibility and easy cleaning. To accommodate different sized bottles the shelves slide out and can be moved up or down into any of the tracks molded into the cooler cabinet. Larger bottles or Magnums can be more easily accommodated on the cross shelves of the bottom basket of the cooler.

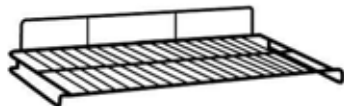


fig. # 6



## Normal Operating Sounds You May Hear

- Boiling water, gurgling sounds or slight vibrations that are the result of the refrigerant circulating through the cooling coils.
- The thermostat control will click when it cycles on and off.

# Proper Wine Cooler Care and Cleaning

## Cleaning and Maintenance

**Warning:** To avoid electric shock always unplug your wine cooler before cleaning. Ignoring this warning may result in death or injury.

**Caution:** Before using cleaning products, always read and follow manufacturer's instructions and warnings to avoid personal injury or product damage.

**General:**

- Prepare a cleaning solution of 3-4 tablespoons of baking soda mixed with warm water. Use sponge or soft cloth, dampened with the cleaning solution, to wipe down your wine cooler.
- Rinse with clean warm water and dry with a soft cloth.
- Do not use harsh chemicals, abrasives, ammonia, chlorine bleach, concentrated detergents, solvents or metal scouring pads. SOME of these chemicals may dissolve, damage and/or discolor your wine cooler.

**Door Gaskets:**

- Clean door gaskets every three months according to general instructions. Gaskets must be kept clean and pliable to assure a proper seal.
- Petroleum jelly applied lightly on the hinge side of gaskets will keep the gasket pliable and assure a good seal.

**Rear Condensation**

**Coil:**

- Every 12 months, using either a soft bristle brush or vacuum cleaner, clean dust, which has accumulated on the coil. This will aid in the efficient operation of your unit.

## Power Interruptions

- Occasionally there may be power interruptions due to thunderstorms or other causes. Remove the power cord from AC outlet when a power outage occurs. When power has been restored, replug power cord to AC outlet.

## Vacation and Moving Care

- For long vacations or absences, unplug the wine cooler and clean the wine cooler and door gaskets according to "General cleaning" section. Prop doors open, so air can circulate inside. When moving always move the wine cooler vertically. Do not move with the unit lying down. Possible damage to the sealed system could occur.

# Troubleshooting

## **Wine Cooler Does Not Operate**

- Check if wine cooler is plugged in.
- Check if there is power at the ac outlet, by checking the circuit breaker.

## **Wine appears too warm**

- Frequent door openings.
- Allow time for recently added wine to reach desired temperature.
- Check gaskets for proper seal.
- Clean condenser coils.
- Adjust temperature control to colder setting.

## **Wine temperature is too cold**

- If temperature control setting is too cold, adjust to a warmer setting.

## **Wine cooler runs too frequently**

- This may be normal to maintain constant temperature during high temperature and humid days.
- Doors may have been opened frequently or for an extended period of time.
- Clean condenser coils.
- Check gasket for proper seal.
- Check to see if doors are completely closed.

## **Moisture build up on interior or exterior of the wine cooler:**

- This is normal during high humidity periods.
- Prolonged or frequent door openings.
- Check door gaskets for proper seal.

## **Wine Cooler door does not shut properly:**

- Level the wine cooler.
- Check for blockages e.g. wine bottles, shelves.

# Limited Warranty

## What is covered and for how long?

This warranty covers all defects in workmanship or materials for a period of:

**12 months labor**

**12 months parts**

**5 years sealed system**

The warranty commences on the date the item was purchased and the original purchase receipt must be presented to the authorized service center before warranty repairs are rendered.

### **EXCEPTIONS: Commercial or Rental Use warranty**

**90 days labor (carry-in only)**

**90 days parts**

**No other warranty applies**

### **What is covered.**

1. The mechanical and electrical parts, which serve as a functional, purpose of this appliance for a period of 12 months. This includes all parts except finish, and trim.
2. The components of the sealed system e.g. hermetic compressor, condenser and evaporator from manufacturing defects for a period of 5 years from the date of purchase. Any damages to such components caused by mechanical abuse or improper handling or shipping will not be covered.

### **What will be done?**

1. We will repair or replace, at our discretion any mechanical or electrical part which proves to be defective in normal usage during the warranty period so specified.
2. There will be no charge to the purchaser for parts and labor on any covered items during the initial 12 month period. Beyond this period

only parts are covered in the remaining warranty. Labor is not provided and must be paid by the customer.

3. Contact your nearest authorized service center. For the name of the nearest service center please call 1-877-337-3639

### **THIS WARRANTY COVERS APPLIANCES WITHIN THE CONTINENTAL UNITED STATES, PUERTO RICO AND CANADA. IT DOES NOT COVER THE FOLLOWING:**

Damages from improper installation.  
 Damages in shipping.  
 Defects other than manufacturing.  
 Damage from misuse, abuse, accident, alteration, lack of proper care and maintenance or incorrect current or voltage.  
 Damage from other than household use.  
 Damage from service by other than an authorized dealer or service center.  
 Decorative trims or replaceable light bulbs.  
 Transportation and shipping.  
 Labor (after the initial 12 months).

**THIS LIMITED WARRANTY IS GIVEN IN LIEU OF ALL OTHER WARRANTIES, EXPRESSED OR, INCLUDING THE WARRANTIES OF MERCHANTABILITY AND FITNESS FOR A PARTICULAR PURPOSE**

The remedy provided in this warranty is exclusive and is granted in lieu of all other remedies.

This warranty does not cover incidental or consequential damages, so the above limitations may not apply to you. Some States do not allow limitations on how long an implied warranty lasts, so the above limitations may not apply to you.

This warranty gives you specific legal rights, and you may have other rights, which vary, from state to state.

Haier America  
 New York, NY 10018

# MESURES DE SECURITE

***Lire l'ensemble des instructions avant d'utiliser l'appareil. Lors de l'utilisation de cet appareil, prendre toutes les mesures de sécurité de base, y compris les suivantes:***

- 1) N'utiliser cet appareil que pour l'usage pour lequel il est prévu, tel qu'il est indiqué dans le guide d'utilisation et d'entretien.
- 2) Ce réfrigérateur à vin doit être installé correctement, selon les instructions d'installation, avant d'être utilisé. Voir les instructions de mise à la terre dans la section d'installation.
- 3) Ne jamais débrancher le réfrigérateur à vin en tirant sur le cordon d'alimentation. Saisissez toujours la fiche fermement et la tirez-la directement de la prise de courant.
- 4) Réparez ou remplacez immédiatement tous les cordons d'alimentation qui sont frangés ou endommagés. N'utilisez pas de cordon qui présente des fissures ou de l'abrasion sur le fil ou aux extrémités.
- 5) Débranchez votre réfrigérateur avant de le nettoyer ou d'en faire l'entretien général. Note : N'essayez pas de faire les réparations vous-mêmes. Contactez un agent de service qualifié pour toute réparation.
- 6) Si vous remplacez un vieux réfrigérateur à vin, enlevez les portes avant de l'entreposer ou de le jeter et laissez les étagères en place. Cela réduira les dangers potentiels pour les enfants.
- 7) Ce réfrigérateur à vin ne doit pas être suspendu ou encastré. Il est conçu pour être installé de façon indépendante seulement (veuillez vous référer à la section Installation pour de plus amples informations).
- 8) Ne faites pas fonctionner le réfrigérateur à vin en présence d'émanations explosives.
- 9) N'enregistrez pas les nourritures dans le refroidisseur de vin car la température intérieure peut ne pas être assez fraîche pour empêcher la détérioration

## VEUILLEZ CONSERVER CES INSTRUCTIONS



# DANGER

**Les enfants pourraient se retrouver coincés dans votre réfrigérateur à vin usagé avant que vous ne puissiez vous en débarrasser. Retirer les portes. Laisser les étagères en place de manière à ce que les enfants ne puissent pas grimper facilement à l'intérieur".**

Nous vous remercions d'avoir choisi ce produit Haier. Ce guide d'utilisation facile d'emploi permet une utilisation optimum du réfrigérateur à vin. Ne pas oublier de prendre note du numéro de modèle et de série. Ils sont inscrits sur une plaquette apposée sur l'arrière du réfrigérateur à vin.

---

*Numéro de modèle*

---

*Numéro de série*

---

*Date d'achat*

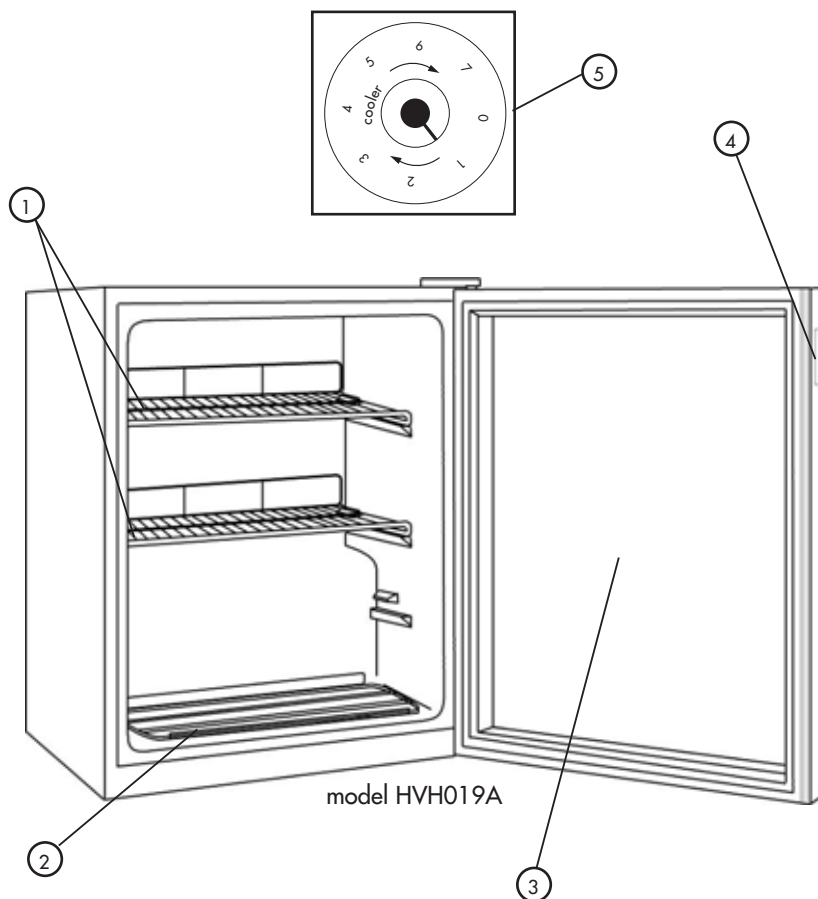
Agrafer le ticket de caisse au guide. **Il devra être présenté pour tout service après-vente sous garantie.**

# Sommaire

PAGE

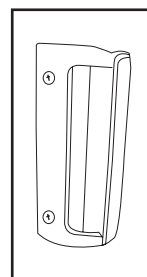
<b>Mesures de Sécurité</b> .....	<b>1</b>
<b>Pièces et Caractéristiques</b> .....	<b>4</b>
<b>Installation du Réfrigérateur à Vin</b> .....	<b>5</b>
Déballage du Réfrigérateur à Vin .....	5
Réglage du Réfrigérateur à Vin .....	5
Circulation d'Air Adéquate .....	5
Caractéristiques Electriques .....	6
L'usage de Rallonges .....	6
Limitations d'installation .....	6
Alignement de porte .....	7
Renversement de porte .....	7-8
<b>Caractéristiques du Réfrigérateur à Vin</b> .....	<b>9</b>
Montage Initial .....	9
Ajustements de Température .....	9
Tablettes .....	10
Bruits de Fonctionnement lors d'une Exploitation Normale .....	10
<b>Entretien et Nettoyage du Réfrigérateur à Vin</b> .....	<b>11</b>
Nettoyage et Maintenance .....	11
Coupures de Courant .....	12
Entretien lors des Vacances ou d'un Déménagement .....	12
<b>Guide de Dépannage</b> .....	<b>13</b>
<b>Garantie</b> .....	<b>14</b>

# Pièces et Caractéristiques



1. L'Étagère détachable d'Emmagasinage de Fil (la quantité varie par le modèle)
2. 1 Étagère d'Emmagasinage de Fil de Demi Largeur
3. Porte Vitrée Transparente
4. Poignée de Poche
5. Le Contrôle ajustable de Température (a localisé sur le dos d'unité)

**NOTE:** Le "BH" le feuilleton a une poignée de poigne.



# Installation du Réfrigérateur à Vin

## Désemballage du Réfrigérateur à Vin

1. Retirer l'ensemble du matériel d'emballage. Ceci comprend la base en mousse ainsi que l'ensemble du matériel adhésif qui maintient les accessoires du réfrigérateur à vin l'intérieur tout comme à l'extérieur.
2. Inspecter et enlever tout restant d'emballage, de scotch ou de matériaux imprimés avant de brancher le réfrigérateur à vin.

## Réglage du Réfrigérateur à Vin

- Votre refroidisseur de vin a quatre jambes de mise à niveau qui sont placés dans les coins avant et arrière de votre refroidisseur de vin.
- Pour régler les pieds de mise à niveau, les tourner dans le sens des aiguilles d'une montre afin de surélever le réfrigérateur à vin et dans le sens inverse des aiguilles d'une montre pour l'abaisser. La porte du réfrigérateur à vin se ferme plus facilement lorsque les pieds de mise à niveau sont surélevés.

## Circulation d'Air Adéquate

- Pour être sûr que le réfrigérateur à vin fonctionne à son maximum d'efficacité, l'installer dans un environnement favorable à une bonne circulation d'air et possédant des connexions de plomberie et d'électricité saines.
- Les indications suivantes concernent l'espace recommandé autour du réfrigérateur à vin:  
Latéralement.....50mm (2")  
Partie supérieure.....50mm (2")  
Arrière.....50 mm (2")
- Ne remplissez pas au-dessus du niveau votre refroidisseur de vin pour le circulation interne approprié d'air.

## Caractéristiques Electriques

- Pour l'alimentation du réfrigérateur à vin, veiller à utiliser une prise de courant convenable (prise de 115 volts, 15 amp) raccordée à la terre.
- Eviter d'utiliser des adaptateurs à trois fiches ou de sectionner la troisième fiche reliée à la terre dans le but d'utiliser un branchement à deux fiches. Cette pratique pourrait s'avérer dangereuse dans la mesure où le réfrigérateur à vin n'est pas relié convenablement à la terre, et risquerait de causer des risques d'électrocution.

## Limitations relatives à l'Installation

- Ne pas installer le réfrigérateur à vin dans un endroit qui n'est pas convenablement isolé ou chauffé ; comme par exemple un garage, etc. Le réfrigérateur à vin n'est pas conçu pour fonctionner à des températures inférieures à 12°C.
- Choisir un endroit convenable et placer le réfrigérateur à vin sur une surface solide et plane, loin de sources de chaleur telles que: les radiateurs, les éléments chauffants à plinthes, les cuisinières, etc. N'importe quelle inégalité de plancher devrait être corrigée avec les jambes de mise à niveau placées sur les coins plan et arrière de votre refroidisseur de vin.
- Votre refroidisseur de vin est conçu pour l'installation debout libre seulement. Il n'est pas conçu pour le bult dans l'application.

## L'usage de Rallonges

- Eviter l'usage d'une rallonge à cause des dangers de sûreté potentiels sous les certaines conditions. Si c'est nécessaire d'utiliser une rallonge, utiliser seulement une rallonge à 3 fils qui a un mettre à terre le bouchon de 3 lames et une sortie de 3 entailles qui accepteront le bouchon. L'évaluer marqué de la rallonge doit être égal à ou plus grand que l'évaluer électrique de l'appareil.

## Alignement de la porte (see fig. # 1)

1. Retirer la vis de protection de la charnière.
2. Retirer ensuite la protection de la charnière supérieure.
3. Desserrer les vis de la charnière supérieure à l'aide d'un tournevis cruciforme.
4. Régler la porte ou placer une cale puis serrer les vis.
5. Replacer la protection de la charnière supérieure.

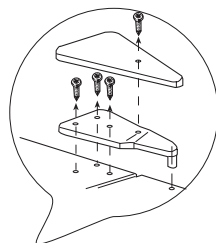


fig. # 1

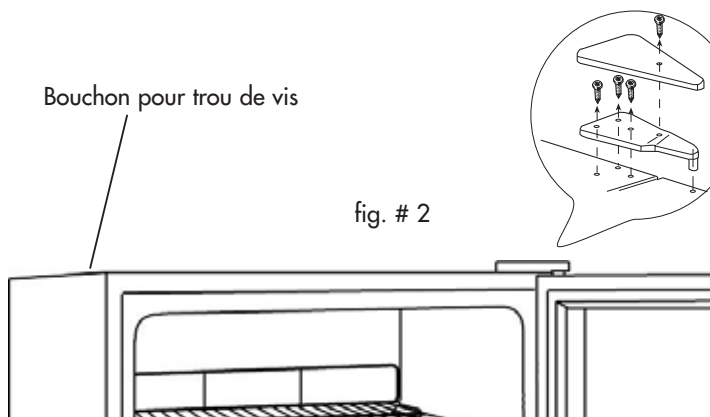


## Placer la Charnière de Porte sur le Côté Opposé du Réfrigérateur

1. Retirez la vis du cache de protection de la charnière supérieure puis retirez le cache. (voir fig. # 1)
2. À l'aide d'un tournevis cruciforme, desserrez puis retirez les vis retenant la charnière supérieure. (voir fig. # 1)
3. Retirez la charnière supérieure et soulevez doucement la porte.
4. Retirez le bouchon du trou de vis du côté opposé et introduisez le bouchon dans les ouvertures des vis venant d'être retirées. (voir fig. # 2)
5. Retirez la broche du support de la charnière inférieure de la porte en tournant dans le sens contraire à celui des aiguilles d'une montre. Placez la broche dans le trou de l'autre côté et serrez. (voir fig. # 3)

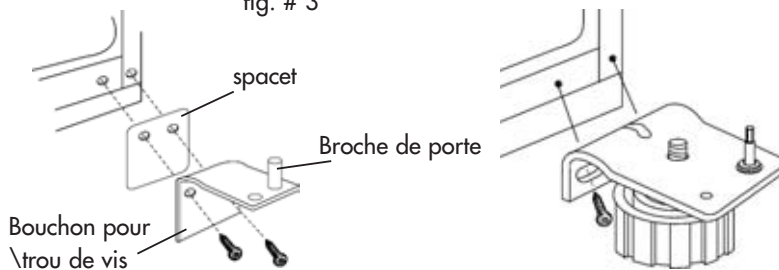
Bouchon pour trou de vis

fig. # 2



6. Desserrez les vis retenant le support de la charnière inférieure et retirez la charnière. (voir fig. # 3)
7. Alignez les trous du support de la charnière inférieure sur les trous correspondant de l'autre côté.  
Introduisez les vis et serrez-les. (voir fig. # 3)
8. Alignez le trou inférieur du côté gauche de la porte sur la broche de la charnière inférieure et glissez-la en place.
9. Alignez la broche de la charnière supérieure avec le trou supérieur du côté gauche de la porte et poussez-la afin de l'installer.  
Remplacez les vis du support supérieur de la charnière mais sans serrez complètement. (voir fig. # 2)
10. Vérifiez que la porte ferme facilement et ferme le réfrigérateur de façon hermétique. Repositionnez la porte si nécessaire. Une fois satisfait de l'alignement de la porte, serrez complètement les vis de la charnière supérieure.
11. Remplacez le cache de protection de la charnière, introduisez la vis et serrez complètement. (voir fig. # 2)
12. Si la porte ne se ferme pas correctement, reportez-vous à la section "Alignement de la porte".
13. Dans quelques-uns modèle peut devoir vous installer la poignée de porte au côté de contraire.

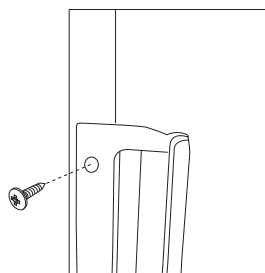
fig. # 3



## La Poignée de Porte de Poigne d'installation:

(Not in all models) (see fig. #4)

fig. # 4



Comme indiqué dans la figure ci-dessus mentionnée, installer la poignée de porte avec les vis fournies.

# Caractéristiques du Réfrigérateur à Vin

## Montage Initial

### Unité De Commande Mécanique:

La commande pour ceci est sur le dos de l'unité là sont 7 configurations plus 0 (EXCEPTÉ la FONCTION) Commencez par placer la température plaçant à 3. Laissez l'unité effectuer pendant au moins 30 minutes pour travailler avant de faire tous les changements.

## Ajustements de température:

### Unité De Commande Mécanique: Voir fig. # 5

- Votre refroidisseur de vin a un bouton de commande de la température sur le dos de l'unité. Il y a 7 configurations: 1 étant le plus chaud et 7 étant le plus frais. Vous pouvez placer la température de votre refroidisseur de vin à n'importe quelle configuration vous desi.

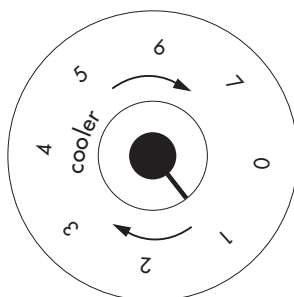


fig. # 5



## Tablettes Voir fig. # 6

- Les tablettes sont conçues pour le nettoyage flexibilité et facile. Pour recevoir différents formats de bouteilles, les tablettes se glissent et peuvent être insérées à la hauteur désirée dans toutes les voies moulées dans le meuble réfrigérant. Les plus grosses bouteilles ou les Magnums peuvent être plus facilement placées sur les tablettes transversales situées dans le bas du réfrigérateur à vin. Vous noterez que les tablettes sont conçues de façon à ce que les bouteilles ne soient pas alignées les unes par dessus les autres. Ceci permet le mouvement d'air libre et fournit plus d'espace.

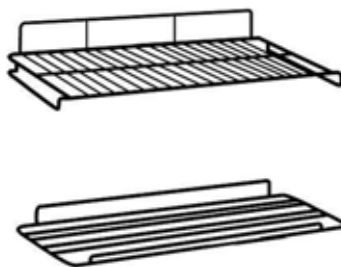


fig. # 6

## Bruits de Fonctionnement lors d'une Exploitation Normale

- Les éléments de refroidissement tubulaires (serpentins refroidisseurs) font des bruits d'ébullition, des gargouillements et provoquent de légères vibrations.
- La commande du thermostat émettra un déclic lorsque qu'elle s'allume et s'éteint.

# Entretien e Nettoyage du Réfrigérateur à Vin

## Nettoyage et Maintenance

**Attention:** Pour éviter les risques d'électrocution; toujours débrancher le réfrigérateur à vin avant de le nettoyer. Le non respect de cette mesure peut entraîner des blessures graves ou mortelles.

**Précautions:** Avant d'avoir recours à des produits d'entretien, toujours consulter et suivre les instructions du fabricant et recommandations afin d'éviter toute blessure éventuelle et risque de dégât de matériel.

**Généralités:**

- Préparer une solution de nettoyage comportant 3 à 4 cuillerées à soupe de bicarbonate de soda mélangé à de l'eau chaude. A l'aide d'une éponge ou un tissu doux humectés de solution de nettoyage; essuyer le réfrigérateur à vin.
- Rincer à l'eau chaude et sécher à l'aide d'un tissu doux.
- Ne pas utiliser de détergents chimiques, abrasifs, ou contenant de l'ammoniaque ou du chlore, ni de solvants ou de tampons à récurer en métal. CERTAINS de ces produits chimiques peuvent dissoudre, endommager et/ou décolorer le réfrigérateur à vin.

**Joints de porte:**

- Nettoyer les joints de porte tous les trois mois en suivant les instructions générales fournies. Les joints doivent rester propres et flexibles afin d'assurer une bonne étanchéité.
- Une fine couche de gelée de pétrole appliquée sur le côté des joints comportant les charnières permet de préserver la flexibilité de ces derniers et d'assurer une bonne étanchéité.

### La Bobine

**Condensation:**

- Chaque de 12 mois, utilisant un doux brissel brosse ou aspirateur, nettoie la poussière, qui a accumulé sur la bobine. Ceci aidera dans l'opération efficace de votre unité.

## Coupures de Courant

- Des pannes d'alimentation occasionnelles peuvent survenir à cause d'une tempête ou de causes autres. Retirer le cordon d'alimentation de la prise CA pendant toute la durée de la coupure d'alimentation. Lorsque le courant électrique est rétabli, rebrancher le cordon dans la prise CA.

## Vacances et Déménagement

- Pendant les périodes de vacances ou d'absence prolongée, placer le CADRAN de température sur la position 'OFF' (arrêt) et nettoyer le réfrigérateur à vin ainsi que les joints de porte en suivant les procédures du chapitre intitulé 'Nettoyage général'. Faire en sorte que la porte reste ouverte de manière à ce que l'air puisse circuler à l'intérieur. Toujours déplacer le réfrigérateur à vin en position verticale. Ne pas déplacer l'appareil en position horizontale. Ceci pourrait endommager le système d'étanchéité.

# Dépannage

## **Le Réfrigérateur á vin ne fonctionne pas:**

- Veiller à ce que le réfrigérateur á vin soit bien branché.
- Veiller à ce que la prise de courant CA fonctionne bien en vérifiant le disjoncteur.

## **Le vin semble trop chaud:**

- La porte est ouverte trop fréquemment.
- Accordez l'heure pour le vin récemment ajouté d'atteindre la température désirée
- Vérifier l'étanchéité des joints.
- Nettoyer les condenseurs.
- Régler le programmeur de température sur froid.

## **La température de vin est trop froide:**

- Si le programmeur de température est placé sur une position trop froide, le régler sur une position plus chaude.

## **Le réfrigérateur á vin se met en marche trop fréquemment:**

- Il peut s'agir de l'activité normale pour maintenir une température constante lorsque la température extérieure ou le taux d'humidité dans l'air sont élevés.
- Les portes ont été ouvertes trop fréquemment ou pendant une période de temps prolongée.
- Nettoyer les condenseurs.
- Vérifier l'étanchéité des joints.
- Veiller à ce que les portes soient bien fermées.

## **Accumulation d'humidité à l'intérieur ou à l'extérieur du réfrigérateur á vin:**

- Ceci est normal pendant les périodes de grande chaleur humide.
- Ouvertures de la porte prolongée ou trop fréquente.
- Vérifier l'étanchéité des joints.

## **La porte du réfrigérateur á vin/congélateur ne ferme pas correctement:**

- Mettre le réfrigérateur à niveau.
- Vérifiez les colmatages, par exemple: bouteilles de vinietagers.

# Garantie Limitée

## Éléments sous garantie et durée de la garantie:

Cette garantie couvre tous les défauts de main-d'œuvre et de matériaux pour une période de:

**12 mois pour la main d'oeuvre**

**12 mois pour les pièces**

**5 ans pour le système**

**d'étanchéité**

La garantie prend effet le jour de l'achat de l'article. Le ticket de caisse d'origine doit être présenté au centre de réparation agréé pour toute réparation sous garantie.

**EXCEPTIONS: Garantie pour usage commercial ou location. 90 jours pour la main d'œuvre (service en atelier uniquement) 90 jours pour les pièces Aucune autre garantie n'est applicable**

### Couverture

1. Les pièces électriques et mécaniques servant au fonctionnement de l'appareil, pour une période de 12 mois. Ceci comprend l'ensemble des pièces, à l'exception de la finition et des garnitures.
2. Les composants du système d'étanchéité, tels que le compresseur hermétique, le condenseur et l'évaporateur, contre tous défauts de fabrication, pour une période de 5 ans à compter de la date d'achat. Tout dommage concernant ces composants et résultant d'un abus d'ordre mécanique, d'une utilisation incorrecte, ou de méthodes d'expédition inadéquates, ne sera pas compris dans la garantie.

### Réparations qui seront effectuées:

1. Nous nous engageons à réparer ou remplacer, à notre discrétion, toute pièce électrique ou mécanique s'avérant défectueuse dans des conditions normales d'utilisation, au cours de la période de garantie spécifiée.
2. L'acheteur ne subira aucun frais pour les pièces et la main-d'œuvre couvertes par la garantie, au cours de la première période de 12 mois. Au-delà de cette période, seules les pièces seront couvertes par la durée

restante de la garantie. La main-d'œuvre n'est pas pourvue et est à la charge du client.

3. Contacter le centre de réparations agréé le plus proche. Pour obtenir les nom et adresse du centre le plus proche, appeler le 1-877-337-3639

## LES APPAREILS SONT COUVERTS PAR LA GARANTIE SUR LE TERRITOIRE CONTINENTAL DES ETATS-UNIS, Á PUERTO RICO ET AU CANADA:

Les dommages résultant d'une installation incorrecte. Les dommages survenus pendant le transport. Les défauts ne résultant pas de la fabrication. Les dommages résultant d'un usage incorrect ou abusif, d'un accident, de modifications, d'un manque d'entretien ou de maintenance, ou d'une tension incorrecte. Les dommages résultant d'un usage autre que l'usage ménager. Les dommages résultant d'un entretien ou de réparations par quiconque autre qu'un distributeur ou centre de réparations agréé. Garnitures décoratives ou ampoules pouvant être remplacées. Transport et Frais d'envoi. Main d'œuvre (après la période initiale de 12 mois)

**CETTE GARANTIE LIMITÉE REMPLACE TOUTE AUTRE GARANTIE EXPRESSE OU IMPLICITE, Y COMPRIS LES GARANTIES DE VALEUR MARCHANDE OU D'ADÉQUATION A UN USAGE PRECIS**

Le recours offert dans cette garantie est exclusif et est accordé à l'exclusion de tout autre.

La garantie ne couvrant pas les dommages directs et indirects, les limitations ci-dessus peuvent ne pas s'appliquer à tous les cas. Certains états ne permettant pas la limitation de la durée des garanties implicites, les limitations ci-dessus peuvent ne pas s'appliquer à tous les cas.

Cette garantie confère à l'acheteur des droits spécifiques et celui-ci peut bénéficier d'autres droits qui varient selon les états.

Haier America  
New York, NY 10018

# INSTRUCCIONES PRECAUTORIAS

***Lea todas las instrucciones antes de utilizar este aparato. Cuando utilice este aparato, siempre ejerza las precauciones de seguridad básicas, incluyendo las siguientes:***

- 1) Use este enfriador de vino solamente para el propósito que fue creado como se describe en esta guía de usos y cuidados.
- 2) Este enfriador de vino debe de ser instalado apropiadamente de acuerdo con las instrucciones de instalación antes de ser usado. Vea las instrucciones de conexión a tierra en la sección de instalación.
- 3) Nunca desconecte el enfriador de vino jalando del cordón. Siempre sujete la clavija firmemente y júlela hacia fuera del tomacorriente.
- 4) Repare o reemplace inmediatamente todos los cables eléctricos que se hayan quemado o dañado. No utilice un cable que muestre grietas a abrasiones a lo largo del mismo o en la clavija o el conector.
- 5) Desconecte el enfriador de vino antes de limpiarlo o del mantenimiento general. Nota: No intente repararlo usted mismo. Llame a un agente calificado para cualquier reparación.
- 6) Si usted está reemplazando un enfriador de vino antiguo, retire las puertas del mismo antes de guardarlo o desecharlo, y deje los estantes en lugar. Esto reducirá la posibilidad de peligro a los niños.
- 7) Este enfriador de vino no debe ser empotrado o colocarse dentro de un hueco; está diseñado para su instalación libre solamente (por favor vea la sección de instalación para mayor información).
- 8) No opere el enfriador de vino en la presencia de humos explosivos.
- 9) No guarde comida en el enfriador de vino, ya que la temperatura dentro del mismo puede no ser lo suficientemente fría para prevenir la descomposición de la comida.

## GUARDE ESTAS INSTRUCCIONES

# PELIGRO

Existe el riesgo de que los niños puedan quedar atrapados dentro. Antes de tirar su enfriador de vino, quite las puertas. Deje los anaqueles en su lugar para que los niños no puedan entrar fácilmente en el interior."

Gracias por utilizar nuestro producto Haier. Este sencillo manual le orientará con respecto al mejor uso que puede darle a su enfriador de vino.

Recuerde tomar nota del modelo y número de serie. Ambos se encuentran impresos en una etiqueta en la parte posterior del enfriador de vino.

---

*Número de Modelo*

---

*Número de Serie*

---

*Fecha de Compra*

Agrafer le ticket de caisse au guide. **Il devra être présenté pour tout service après-vente sous garantie.**

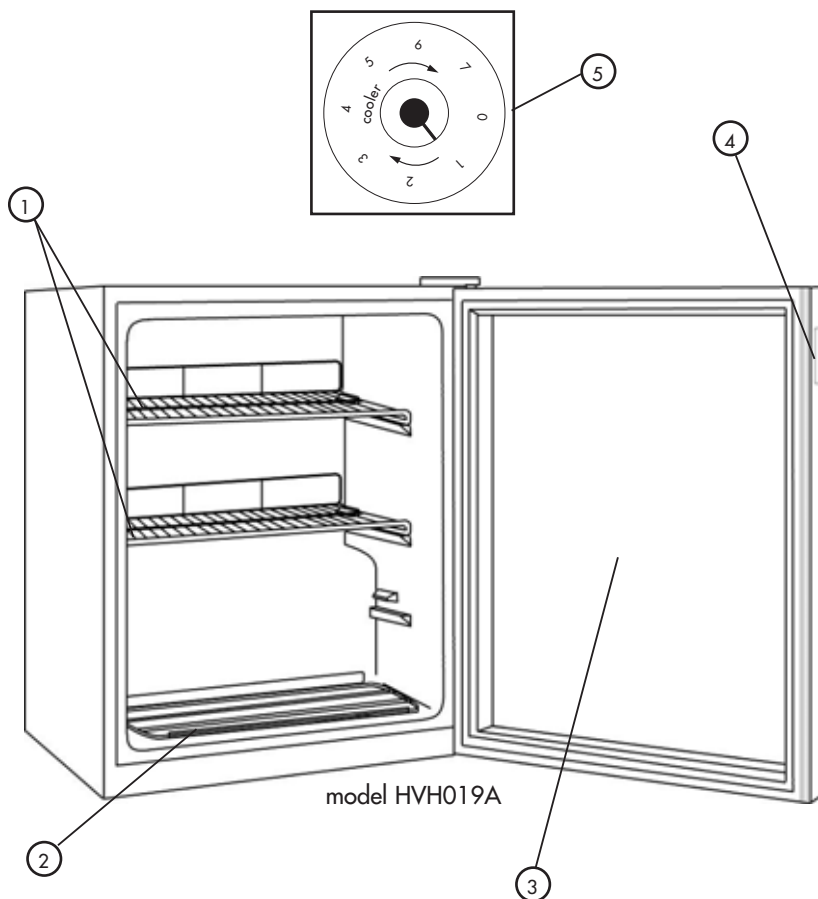
# Índice

## PAGINA

<b>Instrucciones Precautorias</b> .....	<b>1</b>
<b>Piezas y Características</b> .....	<b>4</b>
<b>Instalación de su Refrigerador del Vino</b> .....	<b>5</b>
Desempaque de su Refrigerador del Vino .....	5
Nivelación de su Refrigerador del Vino.....	5
Circulación Apropiaada del Aire .....	5
Requisitos Eléctricos .....	6
El uso de Cuerdas de Extensión .....	6
Las Limitaciones de la instalación .....	6
La Alineación de la puerta .....	7
La Reversión de la puerta .....	7-8
<b>Características y uso del Refrigerador del Vino</b> .....	<b>9</b>
IProgramación Inicial .....	9
Ajustes de la Temperatura .....	9
Anaqueles .....	10
Ruidos de Operacion normales que Pueda Escuchar .....	10
<b>Cuidados y Limpieza Asecuada del Refrigerador del Vino</b> ..	<b>11</b>
Limpieza y Mantenimiento .....	11
Interrupciones de la Corriente Eléctrica .....	12
Vacaciones y Mudanza .....	12
<b>Verificación de Problemas</b> .....	<b>13</b>
<b>Información de Garantía</b> .....	<b>14</b>

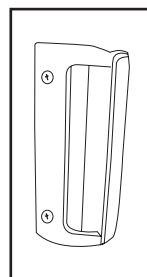


# Piezas y Características



1. El Estante movable del Almacenamiento del Alambre (la cantidad varía por el modelo)
2. 1 Anaquel del Almacenamiento del Alambre de la Media Anchura
3. Vea por Puerta de Vidrio
4. Embolse el Asidero
5. El Control ajustable de la Temperatura (localizó en la espalda de la unidad)

**NOTA:** El "BH" la serie tiene un asidero del puño.



# Instalación de Su Refrigerador del Vino

## Desempaque de su Refrigerador del Vino

1. Retire todo el material de embalaje. Esto incluye la base de espuma y toda la cinta adhesiva que sostiene los accesorios del refrigerador del vino en el interior y exterior.
2. Inspeccione y retire cualesquier restos del embalaje, la cinta adhesiva o los materiales impresos antes de encender el refrigerador del vino.

## Nivelación de su Refrigerador del Vino

- Su refrigerador del vino tiene cuatro piernas de nivelación que estén situadas en las esquinas delanteras y posteriores de su refrigerador del vino. Después de haber colocado su refrigerador en la posición definitiva, puede nivelar su refrigerador del vino.
- Puede ajustar las patas niveladoras girándolas a la derecha para elevar el refrigerador del vino y girándolas a la izquierda para bajarlo. La puerta del refrigerador del vino cerrará con más facilidad cuando las patas niveladoras son elevadas.

## Circulación Apropiadado del Aire

- Para asegurar que su refrigerador del vino funcione con la eficiencia máxima para la que fue diseñado, éste debe ser instalado en un lugar donde haya una circulación de aire adecuada, conexiones eléctricas y de tubería.
- Estas son las distancias recomendadas que deben dejarse alrededor del refrigerador del vino:  
Lados.....50 mm  
Parte Superior.....50 mm  
Parte Posterior.....50 mm
- No el terraplén del excedente su refrigerador del vino para la circulación de aire interna apropiada.

## Requisitos Eléctricos

- Asegúrese de que haya un tomacorriente apropiado (115 V, 15 Amp.) con una conexión a tierra apropiada para hacer funcionar el refrigerador del vino.
- Evite el uso de adaptadores de tres patas o el cortar la tercer pata de conexión a tierra para poder conectar en un tomacorriente bifásico. Esto sería una práctica muy peligrosa ya que no proveería al refrigerador del vino con una conexión a tierra adecuada y podría resultar un riesgo de descarga eléctrica.

## Limitaciones de Instalación

- No instale su refrigerador del vino en ningún lugar que no tenga el aislamiento o la calefacción apropiada, por ejemplo una cochera, etc. Su refrigerador del vino no fue diseñado para funcionar en temperaturas abajo de los 12° Centígrados (55°F).
- Seleccione un lugar adecuado para el refrigerador del vino sobre una superficie sólida y nivelada alejado de los rayos directos del sol o de una fuente de calor como la de los radiadores, rejillas de calefacción, estufas, etc. Cualquier desnivelación del piso debe ser corregido con las patas niveladoras ubicadas en las esquinas inferiores frontales del refrigerador del vino.
- Su refrigerador del vino se diseña para la instalación libre solamente. No se diseña para la aplicación incorporada.

## El uso de Cuerdas de Extensión

- Evite el uso de una cuerda de la extensión a causa de peligros potenciales de seguridad bajo ciertas condiciones. Si es necesario usar una cuerda de la extensión, use sólo una cuerda de 3 alambres de extensión que tiene un de 3 hojas molió tapón y una salida de 3 ranuras que aceptarán el tapón. La calificación marcada de la cuerda de la extensión debe ser igual a o más que la calificación eléctrica del aparato.

## Alineación de la Puerta (vea fig. # 1)

1. Quite la cubierta de los tornillos.
2. Quite la cubierta de la bisagra superior.
3. Afloje los tornillos de la bisagra superior usando un destornillador de punta de cruz.
4. Ajuste la puerta o coloque un espaciador entremedio y luego vuelva a apretar los tornillos.
5. Vuelva a colocar la cubierta de la bisagra superior.

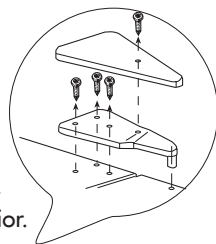
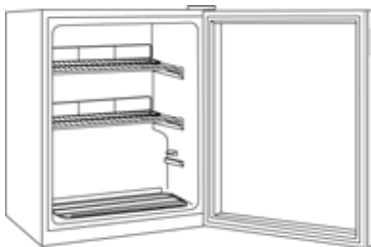


fig. # 1

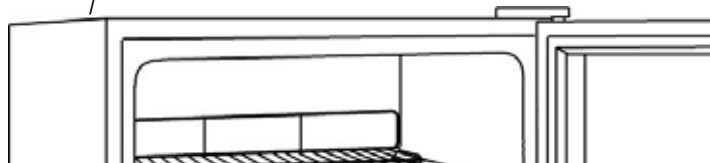
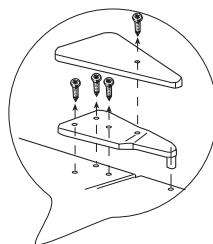


## Colocación del Gozne de la Puerta en el Lado Opuesto

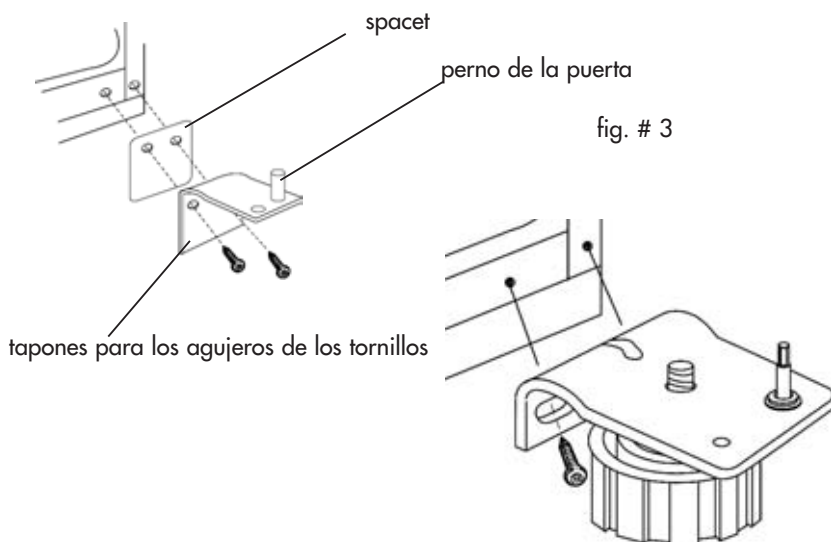
1. Remueva el tornillo de la cubierta del gozne superior y luego remueva la cubierta del gozne superior. (Vea fig. # 1)
2. Con un destornillador de cabeza Phillips, afloje y remueva los tornillos que sujetan en su lugar el gozne superior. (Vea fig. # 1)
3. Remueva ahora el gozne superior y cuidadosamente levante y saque la puerta.
4. Remueva el tapón de agujero de tornillo del lado opuesto e inserte el tapón en los agujeros de los tornillos que acaba de sacar. (Vea fig. # 2)

tapones para los agujeros de los tornillos

fig. # 2



5. Remueva el perno de la puerta del soporte del gozne inferior, girándolo en la dirección opuesta a las manecillas del reloj. Coloque luego el perno en el agujero opuesto y apriételo. (Vea fig. # 3)
6. Remueva los tornillos que sostienen el soporte del gozne inferior y quite el soporte. (Vea fig. # 3)
7. Alinee los agujeros del soporte del gozne inferior con los agujeros correspondientes en el costado opuesto del gabinete, para luego insertar y apretar sus tornillos. (Vea fig. # 3)
8. Alinee el agujero inferior del lado izquierdo de la puerta con el perno del gozne inferior y colóquelo en su lugar.
9. Alinee el perno del gozne superior con el agujero de arriba en el lado izquierdo de la puerta y presiónelo hasta que quede en su lugar. Vuelva a colocar los tornillos del soporte del gozne superior pero no los apriete completamente, todavía. (Vea fig. # 2)
10. Verifique que la puerta cierra fácilmente y que sella herméticamente el refrigerador. Ajuste la puerta según sea necesario. Una vez que la puerta quede alineada a su satisfacción, apriete en forma definitiva los tornillos del gozne superior de la puerta.
11. Vuelva a colocar la cubierta del gozne, inserte su tornillo correspondiente y apriételo completamente. (Vea Fig. # 2)
12. Si la puerta no cierra apropiadamente, consulte la sección titulada "Alineamiento de la Puerta".
13. En algunos lo modela tendrá que instalar el asidero del puño de puerta al lado opuesto.



# Características y Uso del Refrigerador del Vino

## Programación Inicial

### Unidad de Control Mecánica:

El control para esto está en la parte posterior de la unidad. Hay 7 configuraciones más "0" (extinguished). Comience con la temperatura en 3. Deje la unidad ejecutarse por lo menos 30 minutos antes de realizar cualquier cambio.

## Ajustes la Temperatura:

### Unidad de Control Mecánica: Vea fig. # 4

- Su refrigerador del vino tiene una perilla del control de la temperatura en la parte posterior de la unidad. Hay 7 configuraciones: 1 que es el más caliente y 7 que están el más fresco. Usted puede fijar la temperatura de su refrigerador del vino en cualquier configuración usted desi.

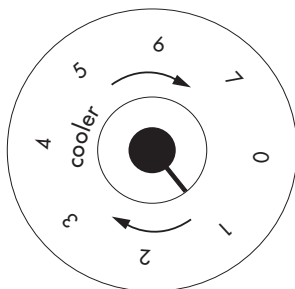
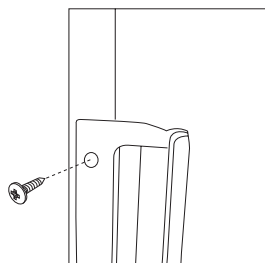


fig. # 4

## El Asidero de la Puerta del Puño que instala:

(Not in all models) (see fig. #5)

fig. # 5



Cuando mostrado en el encima de la figura, instala el asidero de puerta con los tornillos suministrados.

## Anaqueles Vea fig. # 6

- Los anaqueles están cromados para dar una buena apariencia y una limpieza fácil. Para acomodar varios tamaños de botellas, los anaqueles se deslizan hacia fuera y se pueden mover hacia arriba o hacia abajo en cualquiera de los rieles moldeados en el gabinete del enfriador. Las botellas grandes o "Magnums" pueden ser más fácilmente acomodadas en los anaqueles de cruz en el fondo del enfriador. Usted notará que los anaqueles están diseñados de manera que las botellas no se alineen una directamente sobre la otra. Esto permite el movimiento de aire libre y proporciona a más espacio.

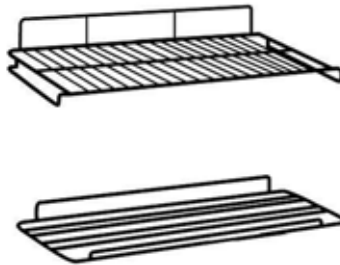


fig. # 6

## Ruidos de Operación Normales que Pueda Escuchar

- Agua hirviendo, ruidos gorgoteantes o ligeras vibraciones que son el resultado del gas refrigerante circulando a través del serpentín de enfriamiento.
- La commande de thermostat cliquettera quand elle fait un cycle en marche et en arrêt

# Cuidados y Limpieza Aseada del Refrigerador del Vino

## Limpieza y Mantenimiento

**Advertencia:** Para evitar una descarga eléctrica siempre desenchufe su refrigerador del vino antes de limpiarlo. El ignorar esta advertencia puede causar esiones o la muerte.

**Precaución:** Antes de usar productos de limpieza, siempre lea y siga las instrucciones y advertencias del fabricante para evitar lesiones personales o daños al producto.

- En general:**
- Prepare una solución de limpieza de 3-4 cucharadas de bicarbonato de sodio mezclado con agua tibia. Use una esponja o un trapo suave, humedecidos con la solución de limpieza, para limpiar su refrigerador del vino.
  - Enjuague con agua limpia tibia y seque con un trapo suave.
  - No use químicos fuertes, abrasivos, amoniaco, cloro, detergentes concentrados, disolventes o estropajos metálicos. ALGUNOS de estos químicos pueden disolver, dañar y/o decolorar su refrigerador del vino.

- Empaques de la puerta:**
- Limpie los empaques de la puerta cada tres meses de acuerdo a las instrucciones generales. Los empaques deben mantenerse limpios y flexibles para asegurar un sellado apropiado.
  - El aplicar un poco de vaselina en el lado articulado de los empaques mantendrá el empaque flexible y asegurará un sellado apropiado.

### El Rollo trasero de la

- Condensación:**
- Cada 12 meses, usando o un cepillo suave de brissel o limpiador de vacío, limpian polvo, que ha acumulado en el rolo. Esto ayudará en la operación eficiente de su unidad.



## Interrupciones de Energía

- Pueden ocurrir ocasionalmente interrupciones de energía debido a tormentas eléctricas u otras causas. Desenchufe el cable eléctrico del tomacorriente de corriente alterna cuando ocurra una interrupción en el sistema eléctrico. Cuando la electricidad haya regresado, vuelva a conectar el cable eléctrico a un tomacorriente de corriente alterna.

## Vacaciones y Mudanza

- Para las vacaciones o las ausencias largas, desenchufe el refrigerador del vino y limpie las juntas del refrigerador y de la puerta del vino según la sección de la "Limpieza General". Mantenga las puertas abiertas para que el aire pueda circular en el interior. Al mudarse, siempre traslade el refrigerador del vino verticalmente. No lo traslade con la unidad colocada horizontalmente. Pudiera ocurrir un posible daño el sistema sellado.

## Verificación de Problemas

### **El Refrigerador de Vino no Funciona:**

- Revise que el refrigerador del vino esté conectado.
- Revise que haya corriente eléctrica en el tomacorriente de corriente alterna, revisando el interruptor de circuito.

### **El Vino Aparece Demasiado Caliente:**

- Apertura constante de la puerta.
- Dé un plazo de la hora para el vino recientemente agregado de alcanzar temperatura deseada.
- Revise que los empaques estén bien sellados.
- Limpie el serpentín del condensador.
- Ajuste el control de temperatura al ajuste más frío.

### **El Vino Aparece Demasiado Frío:**

- Si la configuración del control de la temperatura es demasiado fría, ajuste a una configuración más caliente

### **El Refrigerador de Vino se Enciende Frecuentemente:**

- Esto puede ser normal para mantener una temperatura constante durante temperaturas altas y días húmedos.
- Las puertas pudieron haberse abierto frecuentemente o durante un largo periodo de tiempo.
- Limpie el serpentín del condensador.
- Revise que el empaque esté bien sellado.
- Revise que las puertas estén completamente cerradas.

### **Acumulación de humedad en el interior o exterior del refrigerador del vino:**

- Esto es normal durante periodos de alta humedad.
- Apertura constante o prolongada de la puerta.
- Revise que los empaques de la puerta estén bien sellados.

### **La puerta del refrigerador del vino no funciona:**

- Nivele el refrigerador del vino.
- Controle para saber si hay obstrucciones tales como botellas y estantes del vino.

# Garantía Limitado

## ¿Qué está cubierto y por cuánto tiempo?

Esta garantía cubre cualquier defecto en la manufactura o empleo de materiales por un plazo de:

- 12 meses de mano de obra**
- 12 meses en componentes**
- 5 años en el sistema sellado**

La garantía comienza en la fecha de compra del artículo, y la factura original de compra debe presentarse al centro de servicio autorizado para poder efectuar cualquier reparación que esté bajo garantía.

## EXCEPCIONES: Garantía por Uso Comercial o Bajo Arrendamiento

**90 meses en mano de obra (únicamente en taller)**

**90 días en componentes**

**Ninguna otra garantía es válida**

### ¿Qué está cubierto?

1. Los componentes mecánicos y eléctricos que cumplen con alguna función de este aparato durante un plazo de 12 meses. Esto incluye cualquier componente con excepción de acabados y molduras.
2. Los componentes del sistema sellado, como por ejemplo: compresor hermético, condensador, y evaporador, por defectos de manufactura durante un plazo de 5 años a partir de la fecha de compra. Cualesquier daños a tales componentes causados por abuso mecánico o manejo o transportación inadecuada no serán cubiertos.

### ¿Qué se hará?

1. Repararemos o reemplazaremos, a discreción nuestra, cualquier componente mecánico o eléctrico que se muestre defectuoso por uso normal durante el plazo así especificado.
2. No habrá cargos para el comprador por las partes y la mano de obra en cualesquier artículos cubiertos durante el periodo inicial de 12 meses. Al término de este periodo solo las partes son cubiertas en la garantía restante. La mano de obra no está provista y debe ser cubierta por el cliente.
3. Localice su centro de servicio autorizado más cercano.

Para conocer el nombre del centro de servicio más próximo a su domicilio, por favor llame al 1-877-337-3639 (Válido solo en E.U.A.).

## ESTA GARANTIA CUBRE APARATOS DENTRO DEL TERRITORIO CONTINENTAL DE LOS ESTADOS UNIDOS, PUERTO RICO Y CANADÁ.

Daños por instalación inadecuada.  
Daños por transportación.  
Defectos que no sean por manufactura.  
Daños por negligencia, abuso, accidente, alteración, falta de cuidado adecuado y de mantenimiento, o conexión a tensión eléctrica incorrecta.

Daños que no sean por uso doméstico.  
Daños por servicio que no sea proporcionado a través de un distribuidor o centro de servicio autorizado. Molduras decorativas o focos reemplazables.

Envío y transportación.  
Mano de obra (después de los primeros 12 meses).

ESTA GARANTIA LIMITADA ES PROVISTA EN SUSTITUCION A CUALQUIER OTRA GARANTIA EXPRESADA O QUE IMPLIQUE LAS GARANTIAS MERCANTILES SUJETAS A CIERTO PROPOSITO.

El amparo provisto por esta garantía es de uso exclusivo y se otorga en sustitución a cualquier otro amparo.

Esta garantía no cubre daños incidentales o sus derivados, por lo que las anteriores restricciones pueden serle ajenas. En ciertos estados no se permiten restricciones en lo que se refiere a la duración implícita de una garantía, por lo que las anteriores restricciones pueden serle ajenas.

Esta garantía le otorga ciertos derechos legales y es posible que usted goce de otros derechos, los cuales varían de estado a estado.

Haier America  
New York, NY 10018

# IMPORTANT

## Do Not Return This Product To The Store

If you have a problem with this product, please contact  
the "Haier Customer Satisfaction Center" at 877.337.3639.

DATED PROOF OF PURCHASE REQUIRED FOR WARRANTY SERVICE

# IMPORTANT

## Ne pas Réexpédier ce Produit au Magasin

Pour tout problème concernant ce produit, veuillez contacter le service des consommateurs  
"Haier Customer Satisfaction Center" au 1-877-337-3639.

UNE PREUVE D'ACHAT DATEE EST REQUISE POUR BENEFICIER DE LA GARANTIE.

# IMPORTANTE

## No regrese este producto a la tienda

Si tiene algún problema con este producto, por favor contacte  
el "Centro de Servicio al Consumidor de Haier" al 1-877-337-3639 (Válido solo en E.U.A.).

NECESITA UNA PRUEBA DE COMPRA FECHADA PARA EL SERVICIO DE LA GARANTIA

# Haier



Made in China  
Fabriqué en Chine  
Hecho en China

Haier America  
1356 Broadway  
New York, NY 10018

Printed in China

## Free Manuals Download Website

<http://myh66.com>

<http://usermanuals.us>

<http://www.somanuals.com>

<http://www.4manuals.cc>

<http://www.manual-lib.com>

<http://www.404manual.com>

<http://www.luxmanual.com>

<http://aubethermostatmanual.com>

Golf course search by state

<http://golfingnear.com>

Email search by domain

<http://emailbydomain.com>

Auto manuals search

<http://auto.somanuals.com>

TV manuals search

<http://tv.somanuals.com>