

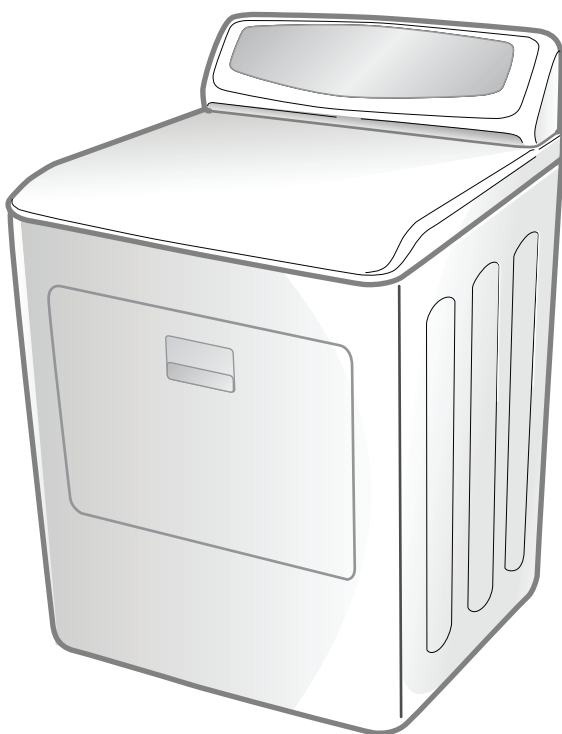
Haier

User Manual
Manuel d'utilisation
Manual para el usuario
RDE350AW/RDG350AW/CRDE350AW

Gas and Electric Clothes Dryers

Sécheuses électriques et à gaz

Secadoras de ropa a gas y eléctricas



SMARTER LIFE BETTER PLANET

TABLE OF CONTENTS

IMPORTANT SAFETY INSTRUCTIONS	2
Gas Dryer Precautions	2
Installation Safety Precautions	3
General Safety Precautions	4
PARTS AND FEATURES	5
INSTALLATION INSTRUCTIONS	6
Tools Needed	6
Additional Parts Required.....	6
Location Requirements.....	7
Electrical & Gas Supply Requirements.....	8
Exhaust System Requirements.....	11
Mobile Home - Additional Requirements	13
STEP BY STEP INSTRUCTIONS.....	14
Step 1 - Unpack the Dryer	14
Step 2 - Attach a Power Cord to the Dryer (Electric Dryer Only)	14
Step 2 - Connect to a Gas Supply Line (Gas Dryer Only)	16
Step 3 - Connect to an Exhaust System.....	18
Step 4 - Level the Dryer	19
Step 5 - Complete the Installation.....	19
CONTROL PANEL AND FEATURES	20
OPERATING INSTRUCTIONS.....	22
Step 1 - Prepare and Sort Laundry	22
Step 2 - Clean the Lint Screen	22
Step 3 - Load the Dryer	23
Step 4 - Start the Dryer	23
CARE AND CLEANING GUIDE.....	24
Cleaning and Maintenance	24
Vacationing Precautions	25
Moving or Storage Preparation	25
TROUBLESHOOTING	26
LIMITED WARRANTY	28

RECORD KEEPING

Thank you for purchasing this Haier product. This user manual will help you get the best performance from your new dryer.

For future reference, record the model and serial number located on back of the dryer, and the date of purchase.

Staple your proof of purchase to this manual to aid in obtaining warranty service if needed.

Model number

Serial number

Date of purchase

1

IMPORTANT SAFETY INSTRUCTIONS

WARNING

To reduce the risk of fire, electric shock, or injury to persons when using your appliance, follow the basic precautions, including the following:

NOTE: The dryer is designed in compliance with ANSI Z21.5.1 or ANSI/UL 2158 - CAN/CSA C22.2 No. 112-97 (latest editions) for HOME USE ONLY. This dryer is not recommended for commercial application such as restaurants and beauty salons.

- The dryer must be electrically grounded in accordance with local codes, or in the absence of local codes, with the National Electrical Code, ANSI/NFPA 70 or Canadian Electrical Code, CSA C22.1.
- Read all of the instructions before using this appliance.
- This appliance must be properly installed and located in accordance with the installation instructions before it is used.
- Use this appliance only for its intended purpose as described in this user manual.
- Do not use the dryer for commercial clothes drying.

GAS DRYER PRECAUTIONS

WARNING

For your safety, the information in this manual must be followed to minimize the risk of fire or explosion or to prevent property damage, personal injury or loss of life.

- Installation must be performed by a qualified or licensed contractor, plumber, or gas fitter qualified or licensed by the state, province, or region where this appliance is being installed.
- Combustible materials, gasoline, and other flammable vapors and liquids must not be stored near the dryer.

WHAT TO DO IF YOU SMELL GAS

- Do not try to light any appliance.
- Do not touch any electrical switch. Do not use any phone in your building.
- Clear the room, building, or area of all occupants.
- Immediately call your gas supplier from a neighbor's phone. Follow the gas supplier's instructions.
- If you cannot reach your gas supplier, call the Fire Department.

INSTALLATION SAFETY PRECAUTIONS

DANGER

Before you throw away your old appliance, remove the door or lid so that children cannot hide or get trapped inside your old appliance.

- The dryer must be installed by a qualified appliance technician.
- Do not install or store this appliance where it will be exposed to water and/or to the weather.
- The appliance must be properly grounded to conform with all electrical codes and ordinances. See "Electrical Requirements" section.
- Do not install this dryer to an exhaust system with plastic or metal foil flexible ducting. Flexible ducting can collapse, easily be crushed, and trap lint. These conditions will obstruct clothes dryer airflow and increase the risk of fire.

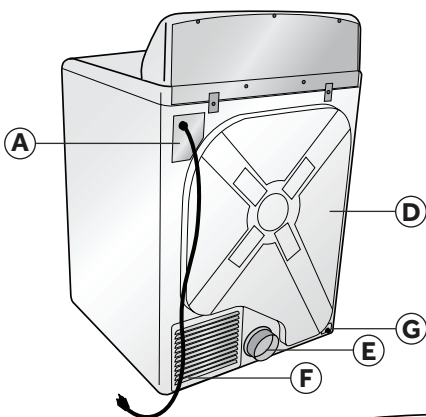
GENERAL SAFETY PRECAUTIONS

- Keep area around the exhaust opening and adjacent surrounding areas free from the accumulation of lint, dust and dirt.
- Keep the dryer area clear and free from items that would obstruct the flow of combustion and ventilation air through the louvered panel located on the rear of the dryer.
- Close supervision is necessary if this appliance is used by or near children. Do not allow children to play on, with, or inside this appliance.
- Do not dry items that have been previously cleaned in, washed in, soaked in, or spotted with gasoline, dry-cleaning solvents or other flammable explosive substances, since they give off vapors which could ignite or explode.
- Do not place items exposed to cooking oils in your dryer. Items contaminated with cooking oil may contribute to a chemical reaction than could cause a load to catch fire.
- If material has been used with any flammable liquids or solids, it should not be dried in the dryer until all traces of flammable liquids and fumes have been removed.
- Do not reach into the appliance if the drum is moving.
- Do not tamper with the controls.
- Do not use fabric softeners or products to eliminate static unless recommended by the manufacturers of the fabric softener or product.
- Do not use heat to dry items containing foam rubber or similarly textured rubber-like materials.
- Clean the lint screen before or after each load.
- The interior of the appliance and the exhaust duct should be cleaned periodically by qualified service personnel.
- To minimize the possibility of electric shock, unplug this appliance from the power supply before attempting any maintenance or cleaning.
NOTE: Turning the cycle selector knob to the "Off" position does NOT disconnect the appliance from the power supply.
- Never unplug your dryer by pulling on the power cord. Always grasp the plug firmly and pull straight out from the outlet.
- Do not attempt to service, repair or replace any part of the appliance unless specifically recommended in this user manual or in published repair instructions that you understand and have the skills to carry out.
- Before discarding or removing from service, remove the door to the drying compartment.

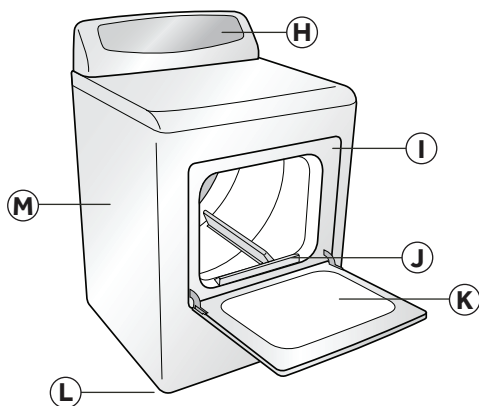
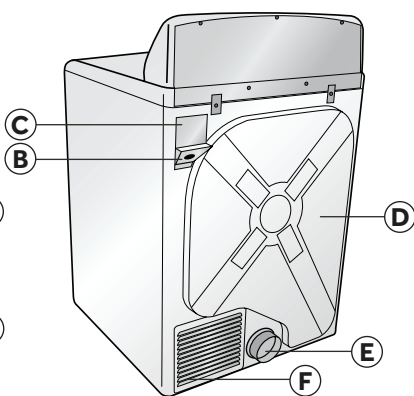
SAVE THESE INSTRUCTIONS
HOUSEHOLD USE ONLY

PARTS AND FEATURES

Gas Dryer



Electric Dryer



- A** Power Cord (120 volt/60 Hz)
- B** Strain Relief Mounting Bracket (Canadian electric model has a 240 volt/60 Hz power cord attached.)
- C** Terminal Block Access Cover
- D** Access Panel
- E** Exhaust Outlet
- F** Louvered Ventilation Panel
- G** Gas Inlet Pipe
- H** Control Panel
- I** Door Safety Switch
- J** Lint Screen
- K** Dryer Door
- L** Leveling Feet
- M** Dryer Cabinet

ENGLISH

INSTALLATION INSTRUCTIONS

WARNING

Risk of Fire

Clothes dryer installation must be performed by a qualified installer.

Install the clothes dryer according to the manufacturer's instructions and local codes.

To reduce the risk of severe injury or death, follow all installation instructions.

TOOLS NEEDED

- Phillips Screwdriver
 - Flat-Blade Screwdriver
 - Channel-Lock Adjustable Pliers
 - ½" Open-End Wrench
 - Carpenter's Level
 - Measuring Tape (12 ft. [3.7 m] min.)
- For gas installations only:**
- Pipe Wrench
 - 2 Adjustable Wrenches

ADDITIONAL PARTS REQUIRED

- 4" (10.2 cm) Rigid or Flexible Metal Exhaust Ducting
- Vent Clamps
- Duct Tape
- Power Cord (US Electric Dryer Only)
 - A power supply cord kit must be purchased to meet local electrical codes. The dryer must use a 3 or 4-wire NEMA 14-30 or 10-30 type SRDT or ST (as required) power supply cord rated at 120/240 volt AC minimum, 30 amp, with 3 open-end spade lug connectors with upturned ends or closed loop connectors and marked for use with clothes dryers.
 - UL Listed Strain Relief
- Gas Hookup Parts (Gas Dryer Only)
 - ¾" NPT Elbow
 - ¾" NPT Flare Adapter Fitting
 - ¾" Flexible Gas Connector
 - Pipe-Joint Compound
- Mobile Home Installation Kit (Gas Dryer for Mobile Home Only)

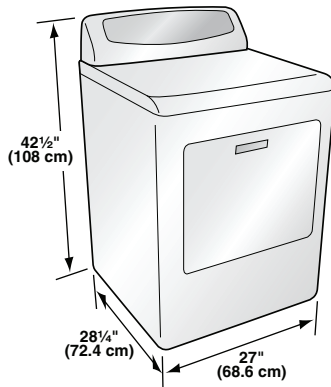
LOCATION REQUIREMENTS

! WARNING

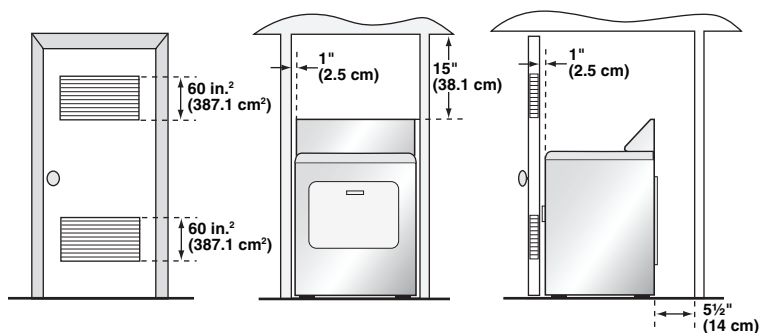
Do not install the dryer where gasoline or other flammables are kept or stored. If the dryer is installed in a garage, it must be a minimum of 18 inches (45.7 cm) above the floor. Failure to do so can result in death, explosion, fire or burns.

- The dryer must be installed on a solid floor. A concrete floor is the best.
- The floor should be level with maximum slope of 1" (2.5 cm) under entire dryer.
- A suitable location is protected from direct sunlight and heat sources such as radiators, baseboard heaters, or cooking appliances.
- Do not install on carpeting.
- The location must have the appropriate electrical and gas supply outlets. See "Electrical & Gas Supply Requirements" section for details.
- Do not install the dryer in an area where the dryer will come into contact with curtains, thick carpet, or anything that might obstruct the flow of combustion and ventilation air.

DRYER DIMENSIONS



ALCOVE OR CLOSET REQUIREMENTS



MINIMUM CLEARANCES

- Dimensions shown are the recommended minimum clearance allowances.
- Space on the sides of the dryer is required to avoid noise transfer.
- Space at the rear of the dryer is necessary to accommodate exhaust ducting.

OTHER REQUIREMENTS

- This dryer must be vented to the outdoors.
- Do not install the dryer in a closet with a solid door.
- A closet door must be louvered or vented with a minimum of 120 sq. in. (774.2 sq. cm) of opening equally divided at the top and bottom of the door. The airflow must not be obstructed in any way.
- No other fuel-burning appliance shall be installed in the same closet as the gas dryer.

ELECTRICAL & GAS SUPPLY REQUIREMENTS

ELECTRIC DRYER (U.S. ONLY)

⚠ WARNING

The dryer must be plugged into a properly grounded 3 or 4-wire, single phase, 120/240 volt (or 120/208 volt), 60Hz, AC-only electrical outlet connected to an individual 30-amp circuit, fused with a 30-amp time-delay fuse or circuit breaker. Do not operate a washer and dryer on the same circuit.

⚠ WARNING

This appliance must be grounded. In the event of an electrical short circuit, grounding reduces the risk of electric shock by providing an escape route for the electrical current.

NOTE: The electrical supply for the dryer must conform with local codes and ordinances and the latest edition of the National Electrical Code, ANSI/NFPA 70.

- If the electrical supply available in the intended dryer location does not meet the above requirements, contact a licensed electrician.
- A dryer operating on a 208 volt power supply will have longer drying times than if it were operating on a 240 volt power supply.
- The dryer is not equipped with a power cord. A kit that meets local electrical codes must be purchased separately. The dryer can be fitted with a 3 or 4-wire NEMA 14-30 or 10-30 type SRDT or ST (as required) power cord rated at 120/240 volt AC minimum, 30 amp, with 3 open-end spade lug connectors with upturned ends or closed loop connectors and marked for use with clothes dryers.
- A UL listed strain relief must be attached to the dryer to hold the power cord.
- Do not use an aluminum wire receptacle with copper-wired power cord and plug (or vice versa). The proper wiring and receptacle is a copper-wired power cord with a copper-wired receptacle.
- The electrical outlet should be located so that the power cord is accessible when the dryer is in the installed position.

ELECTRIC DRYER (CANADA ONLY)

WARNING

The dryer must be plugged into a properly grounded 4-wire, single phase, 120/240 volt, 60Hz, AC-only electrical outlet connected to an individual 30-amp circuit, fused with a 30-amp time-delay fuse or circuit breaker. Do not operate a washer and dryer on the same circuit.

WARNING

This appliance must be grounded. In the event of an electrical short circuit, grounding reduces the risk of electric shock by providing an escape route for the electrical current.

NOTE: The electrical service to the dryer must conform with local codes and ordinances and the latest edition of the CSA C22.1 Canadian Electrical Code Part 1.

- If the electrical supply available in the intended dryer location does not meet the above requirements, contact a licensed electrician.
- Do not use an aluminum wire receptacle with copper-wired power cord and plug (or vice versa). The proper wiring and receptacle is a copper-wired power cord with a copper-wired receptacle.
- The electrical outlet should be located so that the power cord is accessible when the dryer is in the installed position.

GAS DRYER

ELECTRICAL SUPPLY REQUIREMENTS

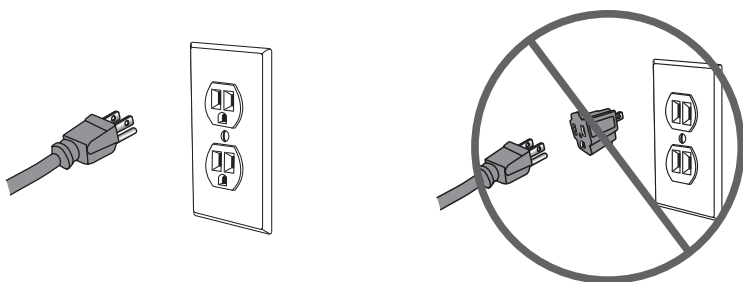
⚠ WARNING

The gas dryer must be plugged into a properly grounded 3-wire, single phase, 120 volt, 60Hz, AC-only electrical outlet, fused with a 15-amp time-delay fuse or circuit breaker.

⚠ WARNING

This appliance must be grounded. In the event of an electrical short circuit, grounding reduces the risk of electric shock by providing an escape route for the electrical current.

- The dryer is equipped with a power cord that has a 3 prong plug. Do not cut or remove the grounding prong from the power cord.
- The power cord must be plugged into a mating, 3 prong outlet, grounded in accordance with local codes and ordinances. If a mating outlet is not available, contacted a licensed electrician to have one installed.
- If you are not sure if your outlet is properly grounded, contact a licensed electrician.
- Do not use a 3 prong plug adapter.
- Do not use an extension cord.



GAS SUPPLY REQUIREMENTS

NOTE: The gas service to the dryer must conform with local codes and ordinances and the latest edition of the National Fuel Gas Code, ANSI Z223.1 or in Canada, CAN/CGA B149.1.

Natural Gas

- The dryer is equipped for use with Natural gas.

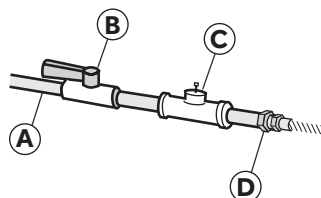
LP (Liquid Propane) Gas

- The dryer can be converted for use with LP gas.
- Conversion to LP gas must be made by a qualified technician.

Gas Supply Line

- The gas supply line should be $\frac{1}{2}$ " (1.3 cm) pipe and must have an individual manual shut-off valve installed within 6 ft. (1.83 cm) of the dryer in accordance with the National Fuel Gas Code, ANSI Z223.1/NFPA 54, or in Canada with the Natural Gas and Propane Installation Code, B149.1.
- The shut-off valve should be easy to reach for opening and closing.
- A $\frac{1}{8}$ " NPT minimum plugged tapping must be installed immediately upstream of the shut-off valve. This fitting is used to check the gas pressure.
- The supply line should terminate with a $\frac{3}{8}$ " NPT flare adapter fitting.

- A** $\frac{1}{2}$ " NPT Gas Supply Line
- B** Gas Shut-Off Valve
- C** $\frac{1}{8}$ " NPT Minimum Plugged Tapping
- D** $\frac{3}{8}$ " NPT Flare Adapter Fitting



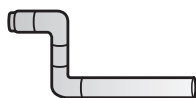
EXHAUST SYSTEM REQUIREMENTS

! WARNING

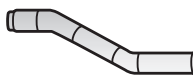
This section describes the requirements for a safe and efficient exhaust system. Failure to follow these instructions can result in poor dryer performance, damage to the dryer, and a fire hazard.

DUCTING

- If your current exhaust system is constructed of plastic or metal foil flexible ducting, replace it with rigid metal ducting.
- Use only 4" (10.2 cm) diameter rigid metal ducting.
- When making turns in the ductwork, use 45° elbows rather than 90° elbows. This provides better airflow and can reduce the accumulation of lint in the exhaust system.

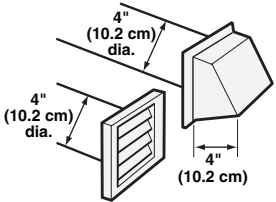
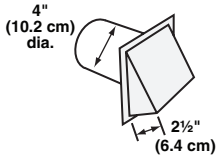


90° - Good



45° - Better

- Do not exceed the length of duct pipe for the number of elbows shown in the chart below. Doing so can cause an accumulation of lint, increase drying time, and create a fire hazard.
- Two 45° elbows equal one 90° elbow.

Recommended Maximum Exhaust Length		
Exhaust Hood Types		
	Recommended	Use Only For Short Run Installations
		
No. of 90° Elbows	Rigid Metal	Rigid Metal
0	90 feet	60 feet
1	60 feet	45 feet
2	45 feet	35 feet
3	35 feet	25 feet

- All joints should be tight to avoid air leaks. The male end of each section of ducting must point away from the dryer.
- Use clamps or duct tape to connect and seal all joints. Do not connect with screws or other fasteners that extend into the interior of the duct as they will create a collection point for lint.



Clamp

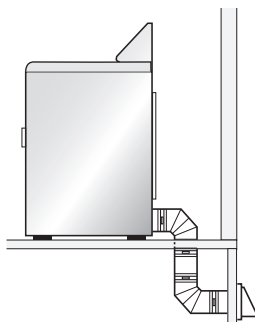
- Avoid running the exhaust system through an unheated area as this will cause condensation to form inside the duct and accelerate the rate of lint accumulation.
- Avoid running the exhaust system vertically through a roof as this may expose the exhaust system to down drafts, causing an increase in air restriction.
- Avoid sagging, compression or crimping of the exhaust system as this will result in reduced airflow and poor dryer performance.
- Do not screen the end of the exhaust system. Lint will accumulate and eventually clog the screen. Use an approved exhaust hood to terminate the duct outdoors.

EXHAUST HOOD

- Use an approved exhaust hood with a swing-out damper that opens when the dryer is in operation. When the dryer stops, the damper automatically closes to prevent drafts and the entrance of insects and rodents.
- Louvered or box hood styles are recommended. Angled hood styles are acceptable, but should be used only for short run installations. See the "Recommended Maximum Exhaust Length" chart for more information.
- To avoid restricting air flow, maintain a minimum of 12" (30.5 cm) clearance between the vent hood and the ground or any other obstruction.

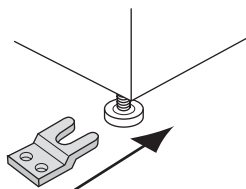
MOBILE HOME - ADDITIONAL REQUIREMENTS

- The installation must conform to current Manufactured Home Construction and Safety Standard, Title 24 CFR-Part 3280 or the Canadian Manufactured Home Standard CAN/CSA-Z240 MH.
- Special provisions must be made for outside makeup air. The opening should be at least twice as large as the dryer exhaust outlet.
- If the dryer is exhausted through the floor and into an enclosed area beneath the mobile home, the exhaust system must terminate outside the enclosure with the termination securely fastened to the mobile home structure.



GAS DRYER ONLY (MOBILE HOME ONLY)

- The dryer must be fastened to the floor using a mobile home installation kit. Follow the instructions supplied with the kit.



STEP BY STEP INSTRUCTIONS

INSTALLING YOUR DRYER

We recommend that your new dryer be installed by a qualified appliance technician. If you feel that you have the skills to install the dryer, please read the installation instructions carefully before installing.

CAUTION: If, after completing these steps, you are unsure that the dryer is properly installed, contact a qualified appliance technician.

STEP 1 - UNPACK THE DRYER

1. Remove all packing materials. This includes the foam base and all adhesive tape holding the dryer accessories inside and outside.
2. Inspect and remove any remains of packing, tape or printed materials before using the dryer.

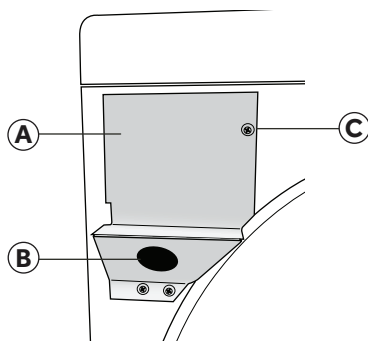
! WARNING

To avoid danger of suffocation, keep plastic bag and other packing material away from babies and children. Do not use this bag in cribs, carriages and playpens. The plastic bag could block nose and mouth and prevent breathing. This bag is not a toy.

STEP 2 - ATTACH A POWER CORD TO THE DRYER (ELECTRIC DRYER - U.S. ONLY)

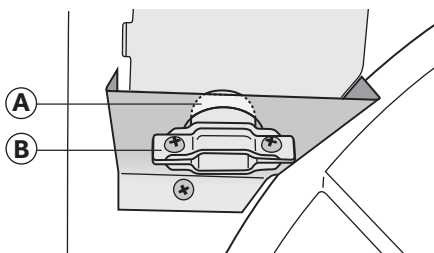
1. Remove the screw securing the terminal block access cover, located on the back of the dryer's upper corner.

- A** Terminal Block Access Cover
- B** Hole in Strain Relief Mounting Bracket
- C** Remove This Screw



2. Insert a UL listed strain relief into the mounting bracket hole. Position the strain relief so that one tab is pointing up and one tab is pointing down. Tighten the strain relief screws just enough to hold the two halves together.

- A** Tab
- B** Strain Relief



3. Insert a power cord into the strain relief. Take care to ensure that the wire insulation of the power cord is inside the strain relief.

4. Connect power cord wires following Part A for a 4-wire power cord connection or Part B for a 3-wire power cord connection.

4-wire (recommended) if your home has a 4-wire receptacle (NEMA 14-30 type SRDT or ST):

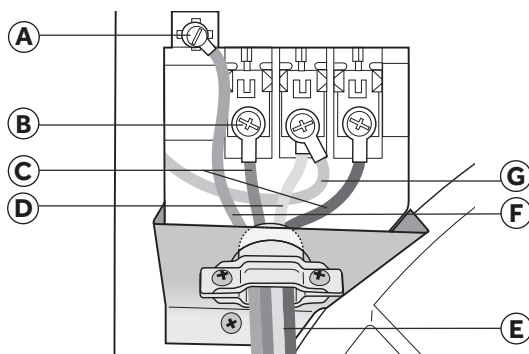
3-wire (if 4-wire is not available) if your home has a 3-wire receptacle (NEMA 10-30 type SRDT):



CAUTION: A 4-wire connection is required for mobile homes and where local codes do not permit the use of 3-wire connections.

5. Tighten strain relief screws.
6. Be sure that none of the wires are touching the dryer drum inside the dryer cabinet.
7. Reinstall the terminal block cover.

PART A - 4-WIRE POWER CORD

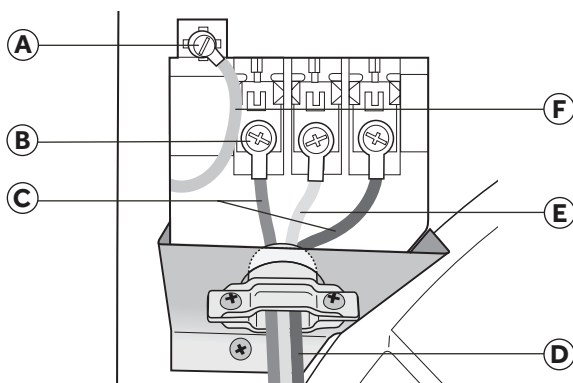


- A** Green Ground Screw
- B** Terminal Block Screw
- C** Power Cord Wires (One Red; One Black)
- D** White (Neutral) Power Cord Wire
- E** Power Cord
- F** Green Power Cord Ground Wire
- G** Green (Neutral) Ground Wire From the Dryer Harness

- A1.** Remove the green (neutral) ground wire from the green ground screw located above the terminal block.
- A2.** Attach the green power cord ground wire to the cabinet with the green ground screw. Tighten the screw securely.
- A3.** Attach the green (neutral) ground wire from the dryer harness and the white (neutral) power cord wire to the center terminal block screw. Tighten the screw securely.
- A4.** Attach each of the remaining 2 power cord wires (red and black) to one of the outer terminal block screws. Either wire can be attached to either screw. Tighten both screws securely.

IMPORTANT: Do not make a sharp bend or crimp the wires at connections.

PART B - 3-WIRE POWER CORD



- | | |
|---------------------------------|---|
| A Green Ground Screw | D Power Cord |
| B Terminal Block Screw | E Center (Neutral) Power Cord Wire |
| C Outer Power Cord Wires | F Green (Neutral) Ground Wire From the Dryer Harness |

- B1.** Attach the center (neutral) power cord wire to the center terminal block screw. Tighten the screw securely.
- B2.** Attach each of the remaining 2 power cord wires to one of the outer terminal block screws. Either wire can be attached to either screw. Tighten both screws securely.

IMPORTANT: Do not make a sharp bend or crimp the wires at connections.

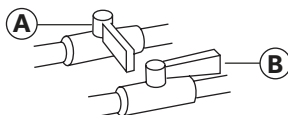
STEP 2 - CONNECT TO A GAS SUPPLY LINE (GAS DRYER ONLY)

NOTE: Do not connect the dryer to an LP gas line without first converting the dryer with a conversion kit. An LP conversion kit must be installed by a qualified technician.

NOTE: Apply a pipe-joint compound that is resistant to the action of LP gas to all male threads. Do not use plumber's tape.

1. Turn the gas supply off by moving the shut-off valve to the closed position.

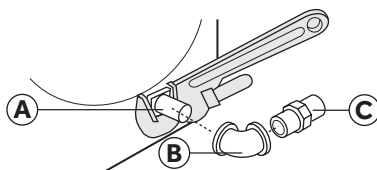
- (A) Closed Valve
- (B) Open Valve



2. Disconnect and discard old flexible gas connector. Replace with a new CSA(AGA) approved flexible gas connector.
3. Remove the shipping cap from the gas inlet pipe at the rear of the dryer.
4. Connect a $\frac{3}{8}$ " NPT elbow to the gas inlet pipe on the dryer. Then connect a flare adapter to the elbow.

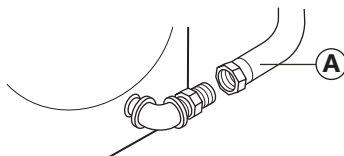
IMPORTANT: Use a pipe wrench to keep the dryer gas inlet pipe from twisting.

- (A) Gas Inlet Pipe on the Dryer
- (B) $\frac{3}{8}$ " NPT Elbow
- (C) $\frac{3}{8}$ " NPT Flare Adapter

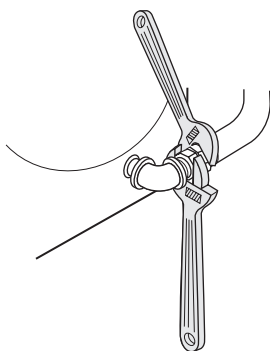


5. Connect the dryer to the gas supply line with a flexible gas connector.

- (A) Flexible Gas Connector



6. Tighten the flexible gas connector using two adjustable wrenches.



7. Turn the gas supply on by moving the shut-off valve to the open position. The valve is open when the handle is parallel to the gas pipe.

8. Check all connections for leaks by applying a noncorrosive leak-detection solution. Bubbles will identify leaks. If leaks are found, close the shut-off valve, retighten the joint, open the shut-off valve, and check again.

⚠ WARNING

Never use an open flame to test for gas leaks.

STEP 3 - CONNECT TO AN EXHAUST SYSTEM

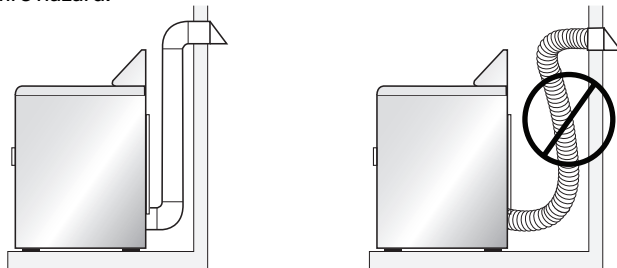
⚠ WARNING

To reduce the risk of fire, this dryer must be exhausted outdoors.

1. Make sure that the exhaust system is free and clear of old lint accumulation prior to connecting the dryer.
2. Use 4" (102 mm) rigid or flexible metal ducting to connect the dryer exhaust outlet to the exhaust system.
3. Use clamps to seal and secure all joints. Exhaust ducting must not be connected with screws or other fastening devices which extend into the interior of the duct.

NOTES:

- Do not use plastic or metal foil flexible ducting. Excessive lint can build up inside the ductwork, restrict airflow, and create a fire hazard. Restricted air flow will increase drying time.
- The dryer must not be exhausted into a gas vent, chimney, wall, ceiling or other concealed space of a building. The dryer must be exhausted to the outdoors. If the dryer is not exhausted outdoors, some fine lint will be expelled into the laundry area. An accumulation of lint in any area of the home can create a health and fire hazard.

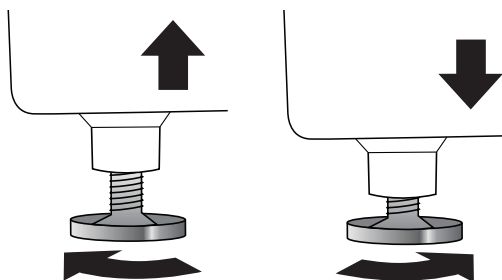


STEP 4 - LEVEL THE DRYER

1. Place the dryer in its final location. Take care not to crush or kink the exhaust vent. Make sure that all four feet are firmly in contact with the floor and that the dryer rests solidly in position.

NOTE: For a gas dryer, make sure that there are no kinks in the flexible gas line.

2. Using a carpenter's level, check to make sure the dryer is level from side to side and from front to back.
3. If the dryer is not level, adjust the leveling feet. Turn clockwise to extend (raise the dryer) or counterclockwise to retract (lower the dryer).



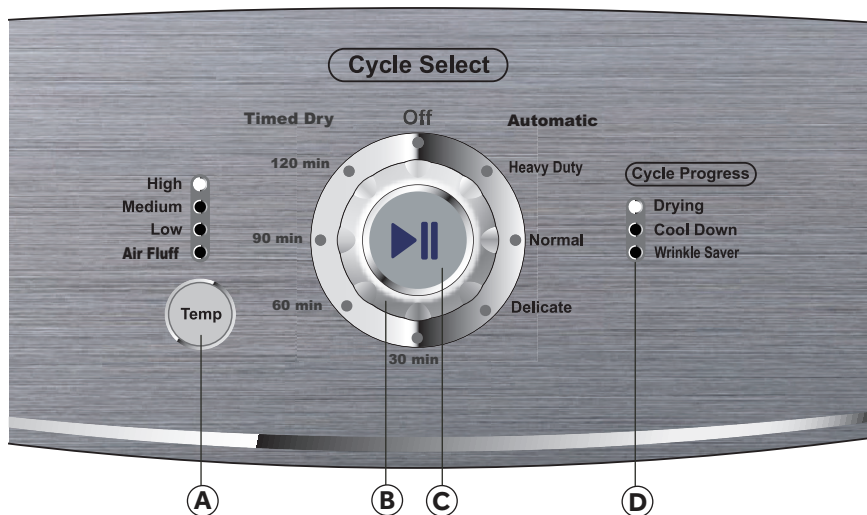
STEP 5 - COMPLETE THE INSTALLATION

1. Plug the dryer power cord into an appropriate outlet.
2. Resume power to the outlet. Check to make sure the circuit breaker is switched on.
3. Dispose of/recycle all packaging materials.
4. Make sure the dryer area is clean and free from combustible materials, gasoline, and other flammable vapors. Also see that nothing (such as boxes, clothing, etc.) obstructs the flow of combustion and ventilation air through the louvered panel located on the rear of the dryer.
5. Test dryer operation by selecting a Timed Dry heated cycle. See the "Operating Instructions" section.

NOTE: On gas dryers, before the burner will light, it is necessary for the gas line to be bled of air. If the burner does not light within 45 seconds, the first time the dryer is turned on, the safety switch will shut off the burner. If this happens, turn the dryer to "OFF" and wait 5 minutes before making another attempt to light the burner.

CONTROL PANEL AND FEATURES

CONTROL PANEL



(A) TEMP BUTTON

- Use to select a drying temperature. There are 4 available drying temperatures to choose from: High, Medium, Low, and Air Fluff.

(B) CYCLE SELECTION KNOB

- Turn the dryer on by rotating the Cycle Selection Knob.
NOTE: If the dryer is not started, it will automatically turn off after 5 mins.
- There are 3 Automatic Cycles and 4 selections for Timed Dry:
Heavy Duty - Use this cycle for heavy garments like jeans and towels.
Normal - Use this cycle for permanent press, synthetics, casual clothes.
Delicate - Use this cycle to dry small loads and delicate fabrics.
Timed Dry - 30, 60, 90 or 120 minute cycles.

(C) START/PAUSE BUTTON

- Press this button to start a selected cycle or to pause an operating cycle.
NOTE: After starting the dryer, you must pause an operating cycle to change the Temp setting.

(D) CYCLE PROGRESS INDICATORS

- When the dryer is first powered on, the Cycle Progress lights indicate all of the stages of the selected cycle.
- As a stage is completed, the light will turn off, indicating that the next stage is operating.

FEATURES

END OF CYCLE SIGNAL

- A signal will sound at the end of the cool down cycle to alert you that the load is complete.

WRINKLE SAVER

- At the end of the cool down cycle, the dryer will periodically tumble for 1 hour to prevent wrinkles from setting in your garments.

CYCLE GUIDE

NOTE: To protect your garments, all options and settings are not available for all cycles. The shaded boxes indicate the default settings for each cycle.

CYCLE	FABRIC TYPE	DRY PROCESS	TEMPERATURE
Automatic Heavy Duty	Heavily soiled, durable colorfast fabrics	Heat Cool Down Wrinkle Saver	High
			n/a
Automatic Normal	Cottons, linens, and mixed garments	Heat Cool Down Wrinkle Saver	High
			Medium Low
Automatic Delicate	Lingerie, sheer fabrics with lace trim	Heat Cool Down Wrinkle Saver	Low
			n/a
Timed Dry	Cottons, linens, and mixed garments	Heat Cool Down Wrinkle Saver	Medium
			High Low Air Fluff

OPERATING INSTRUCTIONS

STEP 1 - PREPARE AND SORT LAUNDRY

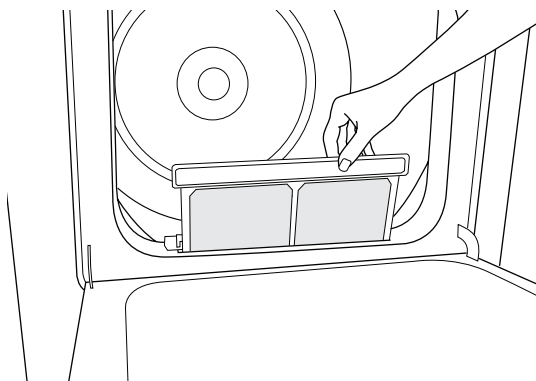
- Check garment labels for manufacturers' drying instructions.
- Where possible, turn pockets inside out for uniform drying.
- Tie strings and sashes so they don't tangle.
- Close zippers, snaps and hooks to avoid snagging.
- Make sure buttons and ornaments on the clothes are high temperature resistant and will not damage drum surface.
- To avoid permanently setting stains or soils, check that all stains and soils have been removed during the wash cycle. If not, wash them again.
- To avoid entanglement and ensure easy removal, small articles should be collected in a mesh bag before loading.
- Separate fabrics that attract lint from fabrics that give off lint. Clothes prone to linting should be turned inside out before being put into the dryer.

STEP 2 - CLEAN THE LINT SCREEN

1. Clean the lint screen before each use. The filter can be removed by pulling on the handle of the lint screen located inside the dryer door.
2. Use your fingers to roll the accumulated lint off of the lint screen. Do not rinse or wash the lint screen to remove lint.
3. Slide the lint screen back into place.

NOTES:

- Do not operate the dryer without the lint screen in place. Without the screen, tumbling garments could enter the exhaust system and cause damage to the dryer.
- Lint buildup on the screen will restrict airflow and cause longer drying times.



STEP 3 - LOAD THE DRYER

1. Load damp garments loosely into the dryer drum.
2. Close the dryer door.

NOTES:

- Do not pack the dryer full of garments.
- An appropriate load should be 1/3 to 1/2 of the drum volume. Allow space for clothes to tumble freely for uniform and wrinkle-free drying.
- When drying large bulky items, only 2-3 pieces should be loaded at a time along with a few small and medium-sized garments.
- For delicate clothes or small loads, adding a couple towels will help to ensure that garments are tumbled. This will produce even drying and reduce wrinkles.

STEP 4 - START THE DRYER

1. Turn the dryer on by rotating the CYCLE SELECTION KNOB.
2. Select a dry cycle.
3. Modify the default settings and options if desired.
4. Press the START/PAUSE BUTTON on the face of the knob to start the dryer.

NOTE:

- Opening the door will pause the operating cycle. Close the door and press the START/PAUSE BUTTON to resume.

CARE AND CLEANING GUIDE

WARNING

Always unplug your dryer to avoid electric shock before cleaning.

Ignoring this warning may result in death or injury.

Before using cleaning products, always read and follow manufacturer's instructions and warnings to avoid personal injury or product damage.

CLEANING AND MAINTENANCE

- Only use a damp or sudsy cloth for cleaning the control panel.
- If you spill liquid/powdered softener, bleach or detergent on the cabinet, wipe the cabinet immediately to avoid damage to the finish.
- Do not use abrasive cleansers, harsh chemicals, ammonia, chlorine bleach, concentrated detergent, or solvents to clean the washer. These chemicals may dissolve, damage, or discolor the dryer.
- Do not use any type of spray cleaner when cleaning the dryer interior. Hazardous fumes or electric shock could occur. If dryer drum becomes stained, clean the drum with a damp cloth. Remove any residue before drying next load.

CLEANING THE LINT SCREEN

- Laundry detergent and fabric softener residue can build up on the lint screen. This buildup can cause longer drying times, or cause the dryer to stop before your load is completely dry.
- Wash the lint screen every 6 months, or sooner, if it becomes clogged due to a residue buildup.

Steps to Wash the Lint Screen:

1. Remove the normal accumulation of lint with your fingers.
2. Wet both sides of lint screen with hot water.
3. Apply liquid detergent with water and scrub with a nylon brush.
4. Thoroughly rinse the lint screen with hot water.
5. Completely dry the lint screen before reinstalling and using the dryer.

REMOVING ACCUMULATED LINT

Inside the Dryer Cabinet

- Lint should be removed every 2 years, or more often, depending on dryer usage. Cleaning should be done by a qualified person.

The Exhaust System

- The exhaust system should be inspected and cleaned at least every 12 months with normal usage. The more the dryer is used, the more often you should check the exhaust system and outdoor exhaust hood for proper operation.

VACATIONING PRECAUTIONS

- Unplug the dryer from the electrical outlet or disconnect the power.
- Clean lint screen. See the "Cleaning the Lint Screen" section.
- (For gas dryers only): Close shutoff valve in gas supply line.

MOVING OR STORAGE PREPARATION

In addition to performing the steps in "Vacationing Precautions," complete the following additional steps.

- Disconnect the dryer from the exhaust system.
- Turn the leveling feet so that they are fully retracted into the dryer cabinet.
- Use masking tape to secure dryer door.
- Move and store your dryer in an upright position only.

NOTE: For gas dryers, turn off the gas being supplied to the dryer. Disconnect the dryer from the gas supply line and remove fittings attached to the dryer's gas inlet pipe. Cap the gas supply line.

ENGLISH

TROUBLESHOOTING

NORMAL OPERATING SOUNDS

- The following sounds are normal during the operation of the dryer.
- Tumbling sound: This is normal as the heavy, wet clothes in the dryer are continuously being tossed around.
- Air rushing noise: This happens as the dryer drum spins and the air is rushing through the dryer drum.

DRYER DOES NOT OPERATE

- Check that the dryer is plugged in. The plug may have come loose.
- Check that the electrical wall receptacle is of proper voltage. Electric dryers require a 240 volt power supply.
- Check if the circuit breaker needs to be reset, or if the fuse needs to be replaced.
- Check that the Cycle Select knob is in the "Off" position. Press the Start/Pause button again.
- Check that the dryer door is firmly shut.

CLOTHES ARE NOT DRYING

- Dryer may be overloaded. Wet clothes should not fill more than ½ of the drum volume.
- Check the exhaust ducting and exhaust hood. The entire exhaust system should be free of obstructions.
- The exhaust system should be maintained, and cleaned regularly.
- Dryer load may need to be sorted. Heavyweight clothes should be separated from lightweight clothes.
- Bulky items may require repositioning.
- Check the lint screen. Lint screen should be cleaned before each load.
- Check that the dryer is not set on the Air Fluff (no heat) temperature setting.
- For gas dryers, check that the gas supply line is open.

DRYER IS MAKING NOISE

Rattling or clanking noises:

- Foreign objects may be in the dryer drum. Stop the dryer and check for foreign objects such as loose change, keys and heavy objects.

Vibration noises:

- Load may be uneven. Stop the dryer and rearrange the load.
- Dryer may not be level. Check that all 4 leveling feet are resting firmly on the floor and that the dryer is level.
- See the "Normal Operating Sounds" section.

Static:

- Caused by over-drying. Adjust for shorter drying time and use a fabric softener or a dryer sheet.

Loads are wrinkled:

- The load may have been left in the dryer too long at the end of the cycle. Be sure to remove clothes promptly after the load ends.
- Dryer may be overloaded. The dryer drum should be at most half full.

Odors:

- Wet clothes left in the washer and or dryer may develop an odor. Drying will not remove this odor. Rewash clothes before drying them.
- The electric heating element may have an odor when the dryer is used for the first time. The odor will be gone after the first cycle.

LIMITED WARRANTY

IN HOME SERVICE

FULL ONE YEAR WARRANTY

For 12 months from the date of original retail purchase, Haier will repair or replace any part free of charge including labor that fails due to a defect in materials or workmanship.

LIMITED WARRANTY

After one year from the original retail purchase date, Haier will provide a part at no cost, as indicated below, to replace said part as a result of a defect in materials or workmanship. Haier is solely responsible for the cost of the part. All other costs, such as labor, trip charge, etc., are the responsibility of the owner.

Second through Fifth Year

Haier will provide all replacement parts if defective in material or workmanship.

NOTE: This warranty commences on the date the item was purchased, and the original purchase receipt must be presented to the authorized service representative before warranty repairs are rendered.

Exceptions: Commercial or Rental Use
Warranty

90 days labor from date of original purchase

90 days parts from date of original purchase

No other warranty applies.

FOR WARRANTY SERVICE

Contact your nearest authorized service center. All service must be performed by a Haier authorized service center. For the name and telephone number of the nearest authorized service center, please call 1-877-337-3639.

Before calling please have available the following information:

Model number and serial number of your appliance. The name and address of the dealer you purchased the unit from and the date of purchase.

A clear description of the problem.

A proof of purchase (sales receipt).

This warranty covers appliances within the continental United States, Puerto Rico and Canada. What is not covered by this warranty:

Replacement or repair of household fuses, circuit breakers, wiring or plumbing.

A product whose original serial number has been removed or altered.

Any service charges not specifically identified as normal such as normal service area or hours.

Damage to clothing.

Damage incurred in shipping.

Damage caused by improper installation or maintenance.

Damage from misuse, abuse accident, fire, flood, or acts of nature.

Damage from service other than an authorized Haier dealer or service center.

Damage from incorrect electrical current, voltage or supply.

Damage resulting from any product modification, alteration or adjustment not authorized by Haier.

Adjustment of consumer operated controls as identified in the owner's manual.

Hoses, knobs, lint trays and all attachments, accessories and disposable parts.

Labor, service transportation, and shipping charges for the removal and replacement of defective parts beyond the initial 12-month period.

Damage from other than normal household use.

Any transportation and shipping charges.

THIS LIMITED WARRANTY IS GIVEN IN LIEU OF ALL OTHER WARRANTIES, EXPRESSED OR, INCLUDING THE WARRANTIES OF MERCHANTABILITY AND FITNESS FOR A PARTICULAR PURPOSE

The remedy provided in this warranty is exclusive and is granted in lieu of all other remedies.

This warranty does not cover incidental or consequential damages, so the above limitations may not apply to you. Some states do not allow limitations on how long an implied warranty lasts, so the above limitations may not apply to you.

This warranty gives you specific legal rights, and you may have other rights, which vary, from state to state.

Haier America
New York, NY 10018

TABLE DES MATIÈRES

IMPORTANTES INSTRUCTIONS DE SÉCURITÉ	30
Sécheuse à gaz - Précautions à prendre	30
Précautions de sécurité concernant l'installation	31
Précautions générales de sécurité	31
PIÈCES ET CARACTÉRISTIQUES	33
INSTRUCTIONS D'INSTALLATION	34
Outils nécessaires	34
Autres pièces nécessaires	34
Critères d'emplacement	35
Spécifications de l'alimentation électrique et de l'alimentation en gaz	36
Critères du système d'évacuation	40
Résidence mobile - Autres critères	40
INSTRUCTIONS ÉTAPE PAR ÉTAPE	43
Étape 1 - Déballage de la sécheuse	43
Étape 2 - Pose d'un cordon d'alimentation électrique sur la sécheuse (sécheuse électrique [É.-U. Uniquement])	43
Étape 2 - Raccordement à une canalisation d'alimentation en gaz (sécheuse à gaz uniquement)	46
Étape 3 - Raccordement à un système d'évacuation	48
Étape 4 - Nivellement de la sécheuse	49
Étape 5 - Fin de l'installation	49
TABLEAU DE COMMANDE ET FONCTIONS	50
INSTRUCTIONS D'UTILISATION	52
Étape 1 - Préparation et tri du linge	52
Étape 2 - Nettoyage du filtre à peluches	52
Étape 3 - Chargement de la sécheuse	53
Étape 4 - Démarrage de la sécheuse	53
GUIDE D'ENTRETIEN ET DE NETTOYAGE	54
Nettoyage et entretien	54
Précautions à prendre avant un départ	55
Préparation avant un entreposage ou un déménagement	55
DÉPANNAGE	56
GARANTIE LIMITÉE	58

DOCUMENTS À CONSERVER

Merci d'avoir acheté ce produit Haier. Ce manuel d'utilisation vous aidera à obtenir la meilleure performance possible de votre nouvelle sécheuse.

Pour référence ultérieure, inscrire le numéro de plaque signalétique situé au dos de la sécheuse, ainsi que la date d'achat.

Pour faciliter l'obtention d'un service sous garantie, agraffer la preuve de la date d'achat à ce manuel.

Numéro de modèle

Numéro de série

Date d'achat

IMPORTANTES INSTRUCTIONS DE SÉCURITÉ

⚠ AVERTISSEMENT

Afin de réduire le risque d'incendie, de choc électrique ou de blessures corporelles lors de l'utilisation de cet appareil, observer certaines précautions fondamentales, notamment :

REMARQUE : Cette sècheuse est conforme à la version la plus récente des normes ANSI Z21.5.1 ou ANSI/UL 2158 - CAN/CSA C22.2 No. 112-97 pour un USAGE DOMESTIQUE UNIQUEMENT. Cette sècheuse n'est pas recommandée pour un usage commercial comme une utilisation dans un restaurant ou un institut de beauté.

- La sècheuse doit être correctement reliée à la terre en conformité avec les codes locaux en vigueur, ou en l'absence de tels codes, avec le National Electrical Code, ANSI/NFPA 70 ou le Code canadien des installations électriques, CSA C22.1.
- Lire toutes les instructions avant d'utiliser cet appareil.
- Avant d'être utilisé, cet appareil doit être correctement installé et placé dans la pièce, conformément aux instructions d'installation.
- Utiliser cet appareil uniquement dans le but auquel il est destiné et tel que décrit dans le présent manuel d'utilisation.
- Ne pas utiliser la sècheuse pour le séchage de vêtements à usage commercial.

SÉCHEUSE À GAZ - PRÉCAUTIONS À PRENDRE

⚠ AVERTISSEMENT

Pour votre sécurité, il est important de respecter les informations fournies dans ce manuel pour minimiser les risques d'incendie ou d'explosion, ou pour éviter tout dommage matériel ou corporel ou encore tout accident mortel.

- L'installation doit être réalisée par un prestataire de services, plombier ou tuyauteur qualifié ou agréé par l'État, la province ou la région dans laquelle cet appareil est installé.
- On ne doit pas entreposer de matériaux combustibles, essence et autres vapeurs et liquides inflammables à proximité de la sècheuse.

QUE FAIRE EN CAS DE DÉTECTION D'UNE ODEUR DE GAZ

- Ne pas tenter d'allumer un quelconque appareil.
- Ne pas toucher de contacteur électrique. Ne pas utiliser de téléphone situé dans votre immeuble.
- Faire évacuer tous les occupants de la pièce, du bâtiment ou de la zone concernée.
- Appeler immédiatement le fournisseur de gaz à partir du téléphone d'un voisin. Suivre les instructions du fournisseur de gaz.
- Si le fournisseur de gaz n'est pas joignable, appeler les pompiers.

PRÉCAUTIONS DE SÉCURITÉ CONCERNANT L'INSTALLATION

DANGER

Avant de jeter votre ancien appareil, retirer la porte ou le couvercle de façon à ce que les enfants ne puissent pas se cacher ou être coincés dans l'ancien appareil.

- Cette sècheuse doit être installée par un technicien d'appareils électroménagers qualifié.
- Ne pas installer ou remiser cet appareil dans un endroit où il sera exposé à l'eau ou aux intempéries.
- L'appareil doit être correctement relié à la terre, conformément à tous les critères des codes et règlements locaux régissant les installations électriques. Voir la section "Spécifications électriques".
- Ne pas raccorder cette sècheuse à un système d'évacuation comportant des conduits flexibles en plastique ou en papier métallisé. Des conduits flexibles peuvent s'affaisser, s'écraser facilement et retenir les peluches. Ces situations obstrueront le débit d'air de la sècheuse à linge et augmenteront le risque d'incendie.

PRÉCAUTIONS GÉNÉRALES DE SÉCURITÉ

- La zone située autour de l'ouverture d'évacuation et les zones adjacentes doit être exempte de peluches et de poussière.
- Dégager l'emplacement de la sècheuse de façon à ce qu'il soit libre de tout élément susceptible d'entraver le débit d'air de combustion et de ventilation par le panneau à persiennes situé à l'arrière de la sècheuse.
- Une surveillance attentive s'impose lorsque cet appareil est utilisé par ou à proximité d'enfants. Ne pas laisser des enfants jouer avec l'appareil, ni jouer dessus ou à l'intérieur.

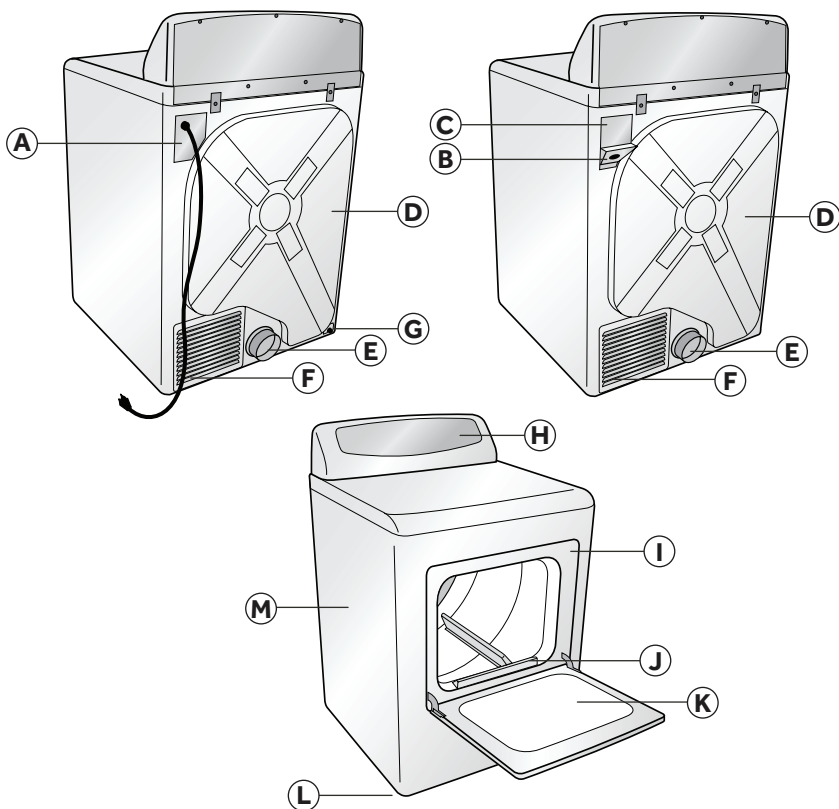
- Ne pas sécher d'articles précédemment nettoyés, trempés ou tachés avec de l'essence, des solvants pour nettoyage à sec ou d'autres substances inflammables explosives car ces substances dégagent des vapeurs qui pourraient s'enflammer ou exploser.
- Ne pas placer d'articles tâchés d'huile de cuisson dans la sècheuse. Les articles ayant été au contact d'huile de cuisson peuvent provoquer une réaction chimique susceptible d'enflammer la charge de vêtements.
- Si certains articles ont été au contact de substances liquides ou solides inflammables, ils ne doivent pas être séchés dans la sècheuse avant que toute trace de liquide ou vapeur inflammable n'ait été éliminée.
- Ne pas accéder à l'intérieur de la sècheuse lorsque le tambour est en mouvement.
- Ne pas effectuer d'intervention non autorisée sur les commandes.
- Ne pas utiliser d'assouplissants pour tissu ou de produits visant à éliminer l'électricité statique à moins que cela ne soit recommandé par le fabricant de l'assouplissant pour tissu ou du produit.
- Ne pas utiliser de chaleur pour sécher des articles contenant du caoutchouc mousse ou des matières similaires.
- Nettoyer le filtre à peluches avant ou après chaque charge.
- L'intérieur de l'appareil et le conduit d'évacuation doivent être nettoyés régulièrement par un personnel d'entretien qualifié.
- Afin de réduire le risque de choc électrique, débrancher cet appareil de l'alimentation électrique avant d'effectuer un dépannage ou un nettoyage.
REMARQUE : Le fait de tourner le bouton de sélection de programme à la position "d'arrêt" ne permet PAS de déconnecter l'appareil de l'alimentation électrique.
- Ne jamais débrancher la sècheuse en tirant sur le cordon d'alimentation. Toujours saisir la fiche de branchement fermement pour l'extraire de la prise de courant.
- Ne pas tenter d'effectuer l'entretien, la réparation ou le remplacement d'une quelconque pièce de l'appareil, sauf si cette intervention est expressément recommandé(e) dans ce manuel d'utilisation ou dans les instructions de réparation fournies, que vous comprenez ces instructions et êtes capable de les exécuter.
- Retirer la porte du compartiment de séchage avant de jeter l'appareil ou de le rendre inutilisable.

CONSERVER CES INSTRUCTIONS USAGE DOMESTIQUE EXCLUSIF

PIÈCES ET CARACTÉRISTIQUES

Sécheuse à gaz

Sécheuse électrique



- (A)** Cordon d'alimentation électrique (120 volts/ 60 Hz)
- (B)** Support de montage pour serre-câble (un cordon électrique de 240 volt/60 Hz est fixé aux modèles électriques canadiens)
- (C)** Couverture d'accès du boîtier de connexion
- (D)** Panneau d'accès
- (E)** Sortie d'évacuation
- (F)** Panneau de ventilation à persiennes
- (G)** Canalisation d'arrivée de gaz
- (H)** Tableau de commande
- (I)** Contacteur de sécurité de la porte
- (J)** Filtre à peluches
- (K)** Porte de la sécheuse
- (L)** Pieds de nivellement
- (M)** Caisse de la sécheuse

INSTRUCTIONS D'INSTALLATION

AVERTISSEMENT

Risque d'incendie

L'installation de la sècheuse à linge doit être effectuée par un installateur qualifié.

Installer la sècheuse à linge conformément aux instructions du fabricant et aux codes locaux.

Afin de réduire le risque de blessure grave ou de décès, suivre toutes les instructions d'installation.

OUTILS NÉCESSAIRES

- Tournevis Phillips
 - Tournevis à lame plate
 - Pince multiprise réglable
 - Clé plate de 1/2"
 - Niveau
 - Mètre-ruban (12 pi [3,7 m] min.)
- Installations pour appareils à gaz uniquement :**
- Clé à tuyauterie
 - 2 clés à molette

AUTRES PIÈCES NÉCESSAIRES

- Conduit d'évacuation métallique rigide ou flexible de 4" (10,2 cm)
- Bride de conduit
- Ruban adhésif pour conduit
- Cordon d'alimentation (sècheuse électrique utilisée aux É.-U. uniquement)
 - On doit acheter une trousse de cordon d'alimentation pour que l'appareil soit en conformité avec les codes locaux régissant les installations électriques. La sècheuse doit utiliser un cordon d'alimentation électrique à 3 ou 4 conducteurs NEMA 14-30 ou 10-30 de type SRDT ou ST (comme nécessaire) de 120/240 VCA minimum et 30 A, terminé par 3 cosses rondes ou en fourche à pointes relevées et approuvé pour utilisation avec les sècheuses à linge.
 - Serre-câble homologué UL
- Pièces de raccordement au gaz (sècheuses à gaz uniquement)
 - Coude NPT de 3/8"
 - Raccord conique NPT de 3/8"
 - Connecteur de gaz flexible de 3/8"
 - Composé d'étanchéité pour tuyauteries
- Trousse d'installation pour maison mobile (sècheuse à gaz pour résidence mobile uniquement)

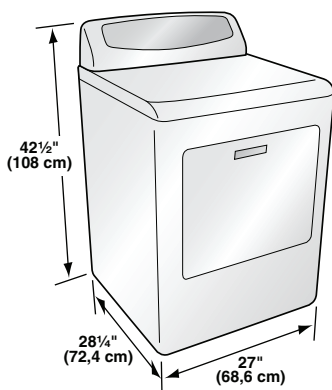
CRITÈRES D'EMPLACEMENT

! AVERTISSEMENT

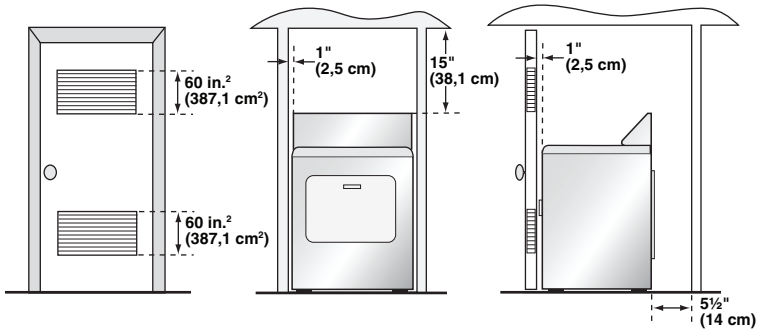
Ne pas installer la sècheuse dans un endroit où de l'essence ou d'autres substances inflammables sont conservées ou entreposées. Si la sècheuse est installée dans un garage, elle doit se trouver à 18 po minimum (45,7 cm) au-dessus du plancher. Le non-respect de ces instructions peut entraîner un décès, une explosion, un incendie ou des brûlures.

- La sècheuse doit être installée sur un plancher résistant. Un plancher en béton est idéal.
- Le plancher doit être de niveau avec une pente maximale de 1" (2,5 cm) sous l'ensemble de la sècheuse.
- L'appareil doit être placé dans un emplacement protégé de la lumière directe du soleil et de sources de chaleur comme des radiateurs, plinthes électriques ou appareils de cuisson.
- Ne pas installer l'appareil sur de la moquette.
- L'emplacement doit comporter des robinets d'alimentation électrique et d'alimentation en gaz adéquats. Voir la section "Spécifications de l'alimentation électrique et de l'alimentation en gaz" pour plus de détails.
- Ne pas installer la sècheuse dans une zone où elle sera au contact de rideaux, d'une moquette ou d'un tapis épais ou de tout autre matériau susceptible d'entraver le flux d'air de combustion et de ventilation.

DIMENSIONS DE LA SÈCHEUSE



SPÉCIFICATIONS POUR ALCÔVE OU PLACARD



DÉGAGEMENTS MINIMUMS

- Les dimensions indiquées correspondent aux dégagements minimaux nécessaires.
- Il faut laisser un dégagement sur chaque côté de la sècheuse afin d'éviter tout transfert de bruit.
- Il faut laisser un dégagement à l'arrière de la sècheuse pour permettre le passage du conduit d'évacuation.

AUTRES CRITÈRES

- L'évacuation de cette sècheuse doit se faire à l'extérieur.
- Ne pas installer cette sècheuse dans un placard avec porte pleine.
- Une porte de placard doit comporter des ouvertures d'aération avec une surface d'ouverture minimale de 120 in² (774,2 cm²) également répartie entre le sommet et le bas de la porte. Le flux d'air ne doit être entravé en aucune manière.
- Aucun autre appareil avec fonctionnement à base de combustible ne doit être installé dans le même placard que la sècheuse à gaz.

SPÉCIFICATIONS DE L'ALIMENTATION ÉLECTRIQUE ET DE L'ALIMENTATION EN GAZ

SÈCHEUSE ÉLECTRIQUE (É.-U. UNIQUEMENT)

⚠ AVERTISSEMENT

La sècheuse doit être branchée à une prise électrique à 3 ou 4 fils, correctement mise à la terre et délivrant une tension monophasée CA uniquement de 120/240 V (ou 120/208 V) à 60 Hz, reliée à un circuit individuel protégé par fusible temporisé ou disjoncteur de 30 A. Ne pas faire fonctionner une sècheuse et une laveuse sur le même circuit.

⚠ AVERTISSEMENT

Cet appareil doit être relié à la terre. Au cas où un court-circuit se produirait, la liaison à la terre réduit le risque de choc électrique, en permettant au courant de s'échapper directement vers la terre.

REMARQUE : L'alimentation électrique de la sècheuse doit être conforme aux codes et règlements locaux et à la version la plus récente du code national de l'électricité, ANSI/NFPA 70.

- Si l'alimentation électrique fournie à l'emplacement d'installation prévu pour la sècheuse ne répond pas aux critères ci-dessus, contacter un électricien agréé.
- Le temps de séchage fourni par une sècheuse fonctionnant sur un circuit d'alimentation de 208 volts sera plus long que celui fourni par une sècheuse fonctionnant sur un circuit de 240 volts.
- La sècheuse n'est pas équipée de cordon d'alimentation. On doit acheter séparément une trousse de cordon d'alimentation conforme aux codes locaux régissant les installations électriques. La sècheuse doit utiliser un cordon d'alimentation électrique à 3 ou 4 conducteurs NEMA 14-30 ou 10-30 de type SRDT ou ST (comme nécessaire) de 120/240 VCA minimum et 30 A, terminé par 3 cosses rondes ou en fourche à pointes relevées et approuvé pour utilisation avec les sècheuses à linge.
- Un serre-câble homologué UL doit être fixé à la sècheuse comportant le cordon d'alimentation.
- Ne pas utiliser de prise secteur à conducteurs en aluminium avec un cordon et une fiche d'alimentation à conducteurs en cuivre (et inversement). Le raccordement correct est un cordon à conducteurs en cuivre et une prise secteur à conducteurs en cuivre.
- La prise électrique doit être située de façon à ce que le cordon d'alimentation soit accessible une fois la sècheuse installée.

SÈCHEUSE ÉLECTRIQUE (CANADA UNIQUEMENT)

⚠ AVERTISSEMENT

La sècheuse doit être branchée à une prise électrique à 4 fils, correctement mise à la terre et délivrant une tension monophasée CA uniquement de 120/240 V à 60 Hz, reliée à un circuit individuel protégé par fusible temporisé ou disjoncteur de 30 A. Ne pas faire fonctionner une laveuse et une sècheuse sur un même circuit.

⚠ AVERTISSEMENT

Cet appareil doit être relié à la terre. Au cas où un court-circuit se produirait, la liaison à la terre réduit le risque de choc électrique, en permettant au courant de s'échapper directement vers la terre.

REMARQUE : L'alimentation électrique à la sècheuse doit être conforme aux codes et règlements locaux et à la dernière édition de la norme CSA C22.1 du Code canadien de l'électricité partie 1.

- Si l'alimentation électrique fournie à l'emplacement d'installation prévu pour la sècheuse ne répond pas aux critères ci-dessus, contacter un électricien agréé.
- Ne pas utiliser de prise secteur à conducteurs en aluminium avec un cordon et une fiche d'alimentation à conducteurs en cuivre (et inversement). Le raccordement correct est un cordon à conducteurs en cuivre et une prise secteur à conducteurs en cuivre.
- La prise électrique doit être située de façon à ce que le cordon d'alimentation soit accessible une fois la sècheuse installée.

SÈCHEUSE À GAZ

SPÉCIFICATIONS DE L'ALIMENTATION ÉLECTRIQUE

⚠ AVERTISSEMENT

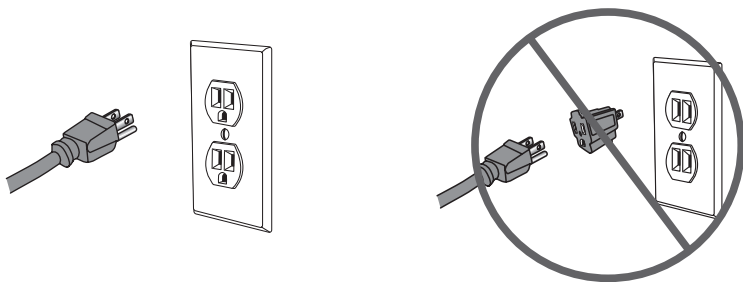
La sècheuse à gaz doit être branchée à une prise électrique à 3 fils correctement mise à la terre, délivrant une tension monophasée CA uniquement de 120 V à 60 Hz et protégée par fusible temporisé ou disjoncteur de 15 A.

⚠ AVERTISSEMENT

Cet appareil doit être relié à la terre. Au cas où un court-circuit se produirait, la liaison à la terre réduit le risque de choc électrique, en permettant au courant de s'échapper directement vers la terre.

- Cette sècheuse comporte un cordon d'alimentation électrique à 3 broches. Ne pas couper ou ôter la broche de terre du cordon d'alimentation.
- Le cordon d'alimentation doit être branché sur une prise de courant de configuration correspondante, à 3 alvéoles, reliée à la terre et installée conformément à tous les codes et règlements locaux. En l'absence de prise de courant de configuration correspondante, contacter un électricien agréé pour installer une prise adéquate.
- En cas de doute quant à la qualité de la liaison à la terre de la prise, consulter un électricien agréé.

- Ne pas utiliser d'adaptateur à trois broches.
- Ne pas utiliser de câble de rallonge.



SPÉCIFICATIONS DE L'ALIMENTATION EN GAZ

REMARQUE : L'alimentation en gaz à la sècheuse doit être conforme aux codes et règlements locaux et à la dernière édition de la norme ANSI Z223.1 du National Fuel Gas Code ou CAN/CGA B149.1 au Canada.

Gaz naturel

- La sècheuse est équipée pour une utilisation au gaz naturel.

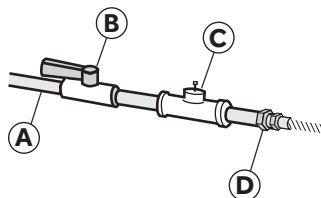
Gaz propane

- La sècheuse peut être convertie pour une utilisation au gaz propane.
- L'opération de conversion au gaz propane doit être exécutée par un technicien qualifié.

Canalisation d'alimentation en gaz

- La canalisation d'alimentation en gaz doit comporter un diamètre de ½" (1,3 cm) et comporter un robinet d'arrêt individuel manuel installé à 6 pi (183 cm) maximum de la sècheuse conformément au code national de l'électricité, ANSI Z223.1/NFPA 54 ou au Natural Gas and Propane Installation Code, B149.1 pour le Canada.
- Le robinet d'arrêt doit être facilement accessible pour les manœuvres d'ouverture et de fermeture.
- Un connecteur obturé NPT de ⅛" doit être installé immédiatement en amont de la vanne d'arrêt. Ce raccord sert à vérifier la pression du gaz.
- La canalisation d'alimentation doit se terminer par un raccord conique NPT de ⅜".

- (A) Canalisation d'alimentation en gaz NPT de ½"
- (B) Robinet d'arrêt de gaz
- (C) Connecteur obturé (filetage NPT de ⅛" minimum)
- (D) Raccord conique NPT de ⅜"



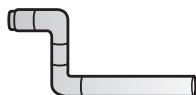
CRITÈRES DU SYSTÈME D'ÉVACUATION

⚠ AVERTISSEMENT

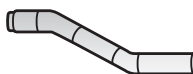
Cette section décrit les critères à respecter pour un système d'évacuation sécuritaire et efficace. Le nonrespect de ces instructions peut entraîner un risque d'incendie, une mauvaise performance de la sècheuse et endommager l'appareil.

CONDUITS

- Si le système d'évacuation existant est composé de conduits flexibles en plastique ou en métal, les remplacer par des conduits métalliques rigides.
- Utiliser uniquement des conduits métalliques rigides de 4" (10,2 cm) de diamètre.
- Pour réaliser des changements de direction avec les conduits, utiliser des coudes à 45° plutôt qu'à 90°. Cela permet un meilleur débit de ventilation et peut permettre de réduire l'accumulation de peluches dans le système d'évacuation.



90° - Bon

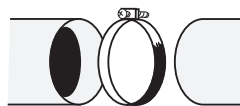


45° - Mieux

- Ne pas dépasser la longueur de conduits relativement au nombre de coudes indiqué dans le tableau ci-dessous. Cela pourrait entraîner une accumulation de peluches, augmenter la durée de séchage et créer un risque d'incendie.
- Deux raccords 45° produisent le même freinage qu'un raccord 90°.

Longueur d'évacuation maximale recommandée		
Types de clapets d'évacuation		
	Recommandé	Utiliser uniquement pour les circuits courts
	<p>4" (10,2 cm) de diamètre</p> <p>4" (10,2 cm) de diamètre</p> <p>4" (10,2 cm)</p>	<p>4" (10,2 cm) de diamètre</p> <p>2½" (6,4 cm)</p>
Nombre de coudes à 90°	Métallique rigide	Métallique rigide
0	90 pi	60 pi
1	60 pi	45 pi
2	45 pi	35 pi
3	35 pi	25 pi

- Toutes les jointures doivent être étanches afin d'éviter toute fuite d'air. L'extrémité mâle de chaque section doit être orientée dans la direction opposée de la sècheuse.
- Utiliser des brides ou du ruban adhésif en toile pour sceller toutes les jointures. Ne pas utiliser de vis ou autres dispositifs de fixation qui se prolongeraient à l'intérieur du conduit pour sécuriser l'évacuation car cela peut retenir les peluches.



Bride

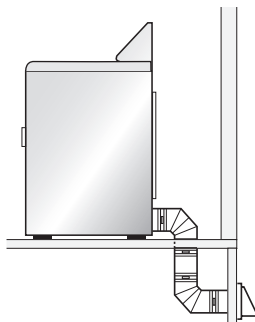
- Éviter d'acheminer le système dans une zone non chauffée car cela entraînera la formation de condensation à l'intérieur du conduit et accélèrera le rythme d'accumulation des peluches.
- Éviter de faire passer le circuit d'évacuation verticalement par un toit pour éviter tout risque de courants d'air descendants susceptibles de gêner la circulation d'air.
- Éviter que le système d'évacuation ne s'affaisse, ne soit comprimé ou coincé car cela réduira le débit de ventilation et affectera la performance de la sècheuse.
- Ne pas grillager l'extrémité du circuit d'évacuation. En s'accumulant, les peluches finiront par colmater le grillage. Utiliser une bouche d'évacuation homologuée à l'extrémité du conduit à l'extérieur.

CLAPET D'ÉVACUATION

- Utiliser une bouche d'évacuation homologuée à clapet oscillant qui s'ouvre lorsque la sècheuse est en fonctionnement. Lorsque la sècheuse s'arrête, le clapet se ferme automatiquement pour empêcher les rongeurs et insectes d'entrer dans le domicile, et pour empêcher les courants d'air.
- On recommande l'emploi de clapets à persiennes ou de type boîte. On peut utiliser des clapets inclinés, mais ils ne doivent être utilisés que pour des installations courtes. Voir le tableau "Longueur maximale recommandée du système d'évacuation" pour plus d'information.
- Afin d'éviter d'entraver le débit de ventilation, maintenir un dégagement minimal de 12" (30,5 cm) entre le clapet d'évacuation et le plancher ou tout autre obstacle éventuel.

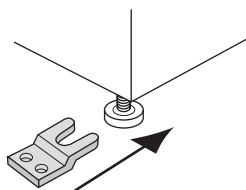
RÉSIDENCE MOBILE - AUTRES CRITÈRES

- L'installation doit répondre aux critères de la version en cours de validité de la Manufactured Home Construction and Safety Standard, Titre 24 CFR, partie 3280 ou de la Canadian Manufactured Home Standard CAN/CSA-Z240 MH.
- Des dispositions particulières doivent être prises pour l'air d'appoint extérieur. L'ouverture d'entrée d'air doit être au moins deux fois plus grande que la sortie d'évacuation de la sècheuse.
- Si l'évacuation d'air de la sècheuse se fait par le plancher dans un espace confiné sous la résidence mobile, le circuit d'évacuation doit se terminer à l'extérieur de cet espace et la bouche d'extrémité doit être solidement fixée à la structure de la résidence mobile.



SÈCHEUSE À GAZ UNIQUEMENT (RÉSIDENCE MOBILE UNIQUEMENT)

- La sècheuse doit être fixée au plancher à l'aide d'une trousse d'installation pour résidence mobile. Suivre les instructions fournies avec la trousse.



INSTRUCTIONS ÉTAPE PAR ÉTAPE

INSTALLATION DE LA SÉCHEUSE

Nous recommandons que l'installation de votre nouvelle sècheuse soit réalisée par un technicien d'appareils électroménagers qualifié. Si vous pensez être capable d'installer la sècheuse, lire attentivement les instructions d'installation avant de procéder à l'installation.

MISE EN GARDE : Si vous n'êtes pas certain que la sècheuse est correctement installée après avoir suivi ces étapes, contacter un technicien d'appareils électroménagers qualifié.

ÉTAPE 1 - DÉBALLAGE DE LA SÉCHEUSE

1. Enlever tous les matériaux d'emballage. Cela comprend la base en polystyrène et tous les adhésifs maintenant les accessoires pour sècheuse en place, à la fois à l'intérieur et à l'extérieur.
2. Inspecter la sècheuse et retirer tout emballage, ruban adhésif ou documents avant d'utiliser l'appareil.

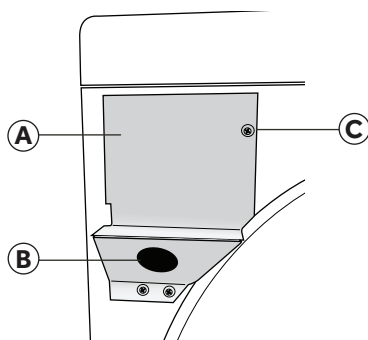
⚠ AVERTISSEMENT

Afin d'éviter tout risque d'étouffement, conserver le sac en plastique et autres matériaux d'emballage hors de portée des bébés et des enfants. Ne pas utiliser ce sac dans des berceaux, poussettes ou parcs pour enfants. Le sac en plastique peut bloquer les orifices du nez et de la bouche et empêcher la respiration. Ce sac n'est pas un jouet.

ÉTAPE 2 - POSE D'UN CORDON D'ALIMENTATION ÉLECTRIQUE SUR LA SÉCHEUSE (SÉCHEUSE ÉLECTRIQUE [É.-U. UNIQUEMENT])

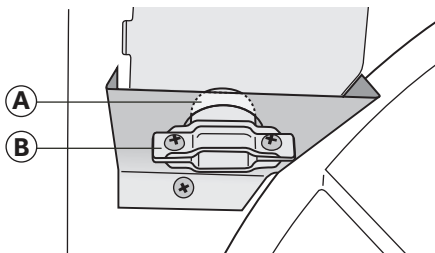
1. Ôter la vis fixant le couvercle d'accès du boîtier de connexion située à l'arrière de l'angle supérieur de la sècheuse.

- (A) Couvercle d'accès du boîtier de connexion
- (B) Trou dans le support de montage pour serre-câble
- (C) Retirer cette vis



- Insérer un serre-câble homologué UL dans le trou du support de montage. Positionner le serre-câble de façon à ce qu'un onglet soit orienté vers le haut et l'autre vers le bas. Serrer les vis du serre-câble juste assez pour maintenir ensemble les deux moitiés.

- A** Onglet
B Serre-câble



- Insérer un cordon d'alimentation dans le serre-câble. Vérifier que la gaine d'isolation du câble d'alimentation pénètre à l'intérieur du serre-câble.
- Pour le raccordement d'un cordon d'alimentation à 4 conducteurs, suivre les instructions de la partie A. Pour le raccordement d'un cordon d'alimentation à 3 conducteurs, suivre les instructions de la partie B.

4 fils (recommandé) si la résidence est équipée d'une prise secteur à 4 conducteurs (NEMA 14-30 type SRDT ou ST) :



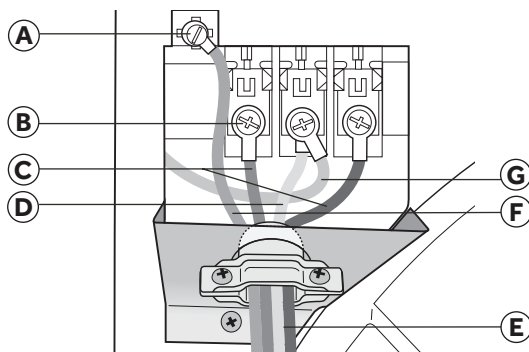
3 fils (en l'absence de câblage 4 fils) si la résidence est équipée d'une prise secteur à 3 conducteurs (NEMA 10-30 type SRDT) :



MISE EN GARDE : Un raccordement à 4 fils est obligatoire pour les maisons mobiles et lorsque les codes locaux n'autorisent pas l'utilisation de raccordements à 3 fils.

- Serrer les vis du serre-câble.
- Veiller à ce qu'aucun conducteur ne touche le tambour de la sécheuse à l'intérieur de la caisse de la sécheuse.
- Réinstaller le couvercle du boîtier de connexion.

PARTIE A - CORDON D'ALIMENTATION À 4 CONDUCTEURS

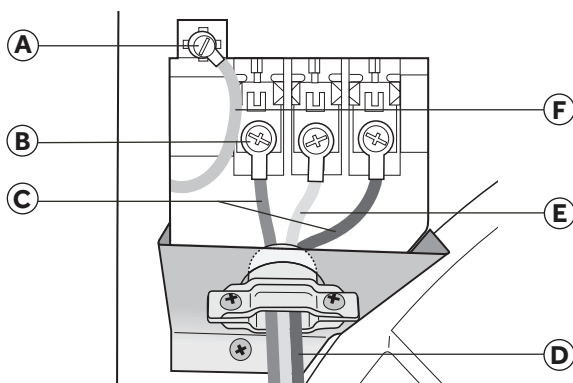


- | | |
|---|---|
| A Vis verte de liaison à la terre | E Cordon d'alimentation |
| B Vis de boîtier de connexion | F Conducteur vert de mise à la terre du cordon d'alimentation |
| C Conducteurs du cordon d'alimentation (un rouge, un noir) | G Conducteur vert (neutre) de mise à la terre depuis le faisceau de câblage de la sècheuse |
| D Conducteur blanc du cordon d'alimentation (neutre) | |

- A1.** Ôter le conducteur de terre vert (neutre) de la vis de terre verte située au-dessus du boîtier de raccordement.
- A2.** Fixer le conducteur de terre vert à la caisse de la sècheuse au moyen de la vis de terre verte. Bien serrer la vis.
- A3.** Fixer le conducteur de terre vert (neutre) du faisceau de câblage de la sècheuse et le conducteur blanc (neutre) du cordon à la vis centrale du boîtier de raccordement. Bien serrer la vis.
- A4.** Fixer chacun des 2 conducteurs restants du cordon d'alimentation (rouge et noir) à chacune des vis les plus à l'extérieur du boîtier de raccordement. L'un ou l'autre des conducteurs peut être fixé à l'une ou l'autre des vis. Bien serrer les deux vis.

IMPORTANT : Ne pas plier excessivement les conducteurs et ne pas les sertir aux connexions.

PARTIE B - CORDON D'ALIMENTATION À 3 FILS



- Ⓐ Vis verte de liaison à la terre
- Ⓑ Vis de boîtier de connexion
- Ⓒ Conducteurs du cordon d'alimentation les plus à l'extérieur
- Ⓓ Cordon d'alimentation
- Ⓔ Conducteur du cordon d'alimentation au centre (neutre)
- Ⓕ Conducteur de terre vert (neutre) du faisceau de câblage de la sécheuse

- B1.** Fixer le conducteur central (neutre) du cordon d'alimentation à la vis centrale du boîtier de raccordement. Bien serrer la vis.
- B2.** Fixer chacun des 2 conducteurs restants du cordon d'alimentation à chacune des vis les plus à l'extérieur du boîtier de raccordement. L'un ou l'autre des conducteurs peut être fixé à l'une ou l'autre des vis. Bien serrer les deux vis.

IMPORTANT : Ne pas plier excessivement les conducteurs et ne pas les sertir aux connexions.

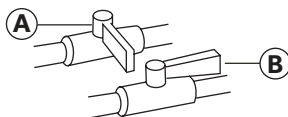
ÉTAPE 2 - RACCORDEMENT À UNE CANALISATION D'ALIMENTATION EN GAZ (SÉCHEUSE À GAZ UNIQUEMENT)

REMARQUE : Ne pas raccorder la sécheuse à une canalisation de gaz propane sans convertir d'abord la sécheuse à l'aide d'une trousse de conversion. Une trousse de conversion au gaz propane doit être installée par un technicien qualifié.

REMARQUE : Appliquer un composé d'étanchéité pour tuyauteries résistant à l'action du gaz propane sur tous les filetages mâles. Ne pas utiliser de scellant adhésif pour plombier.

- 1.** Fermer l'alimentation en gaz en plaçant le robinet d'arrêt en position fermée.

- Ⓐ Robinet fermé
- Ⓑ Robinet ouvert

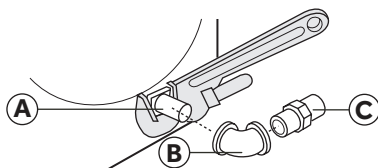


- 2.** Déconnecter et jeter l'ancien connecteur de gaz flexible. Remplacer l'ancien connecteur par un connecteur de gaz flexible neuf homologué CSA (AGA).

3. Retirer le capuchon d'expédition de la canalisation d'arrivée de gaz situé à l'arrière de la sècheuse.
4. Raccorder un coude NPT $\frac{3}{8}$ " à la canalisation d'arrivée de gaz sur la sècheuse. Raccorder ensuite un adaptateur conique au coude.

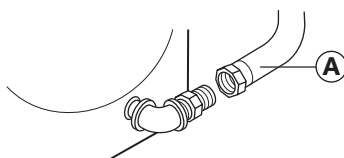
IMPORTANT : Utiliser une clé à tuyauteries pour empêcher la canalisation d'arrivée de gaz de la sècheuse de se tordre.

- (A) Canalisation d'arrivée de gaz sur la sècheuse
- (B) Coude NPT de $\frac{3}{8}$ "
- (C) Adaptateur conique NPT de $\frac{3}{8}$ "

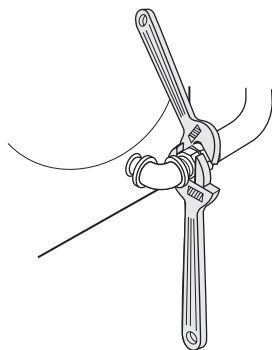


5. Raccorder la sècheuse à la canalisation d'alimentation en gaz avec un connecteur de gaz flexible.

- (A) Connecteur de gaz flexible



6. Serrer le connecteur de gaz flexible à l'aide de deux clés à molette.



7. Ouvrir l'alimentation en gaz en plaçant le robinet d'arrêt en position ouverte. Le robinet est ouvert lorsque la manette est parallèle à la canalisation de gaz.
8. Vérifier qu'aucun raccordement ne présente de fuite en les badigeonnant d'une solution de détection des fuites non corrosive. L'apparition de bulles indique la présence d'une fuite. Si l'on détecte une fuite, fermer le robinet d'arrêt, resserrer le joint, ouvrir le robinet d'arrêt puis contrôler à nouveau les raccordements.

⚠ AVERTISSEMENT

Ne jamais effectuer de test de détection de fuite de gaz avec une flamme nue.

ÉTAPE 3 - RACCORDEMENT À UN SYSTÈME D'ÉVACUATION

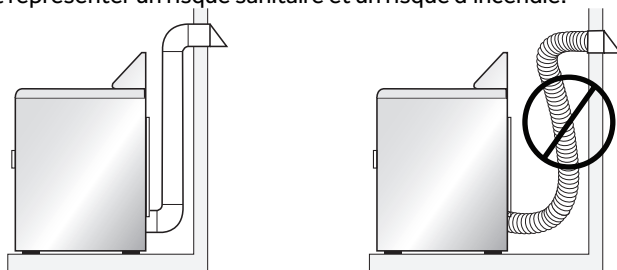
⚠ AVERTISSEMENT

Pour réduire le risque d'incendie, cette sècheuse doit évacuer l'air à l'extérieur.

1. Vérifier que le système d'évacuation est libre et qu'il n'est pas obstrué par une accumulation de peluches avant de raccorder la sècheuse.
2. Utiliser des conduits métalliques rigides ou flexibles de 4" (102 mm) pour raccorder la bouche d'évacuation de la sècheuse au système d'évacuation.
3. Utiliser des brides pour sceller toutes les jointures. Les conduits d'évacuation ne doivent pas être connectés avec des vis ou tout autre dispositif de serrage qui se prolongerait à l'intérieur du conduit.

REMARQUES :

- Ne pas utiliser de conduit métallisé ou en plastique flexible. Cela pourrait entraîner une accumulation de peluches à l'intérieur des conduits, entraver le débit de ventilation et créer un risque d'incendie. Un débit de ventilation restreint augmentera les durées de séchage.
- L'évacuation de la sècheuse ne doit pas se faire dans un conduit d'évacuation de gaz, une cheminée, un mur, un plafond ou un vide de construction dans le bâtiment. L'évacuation du sèche-linge doit se faire à l'extérieur. Si l'on ne raccorde pas l'évacuation de la sècheuse à l'extérieur, de fines peluches seront évacuées dans la buanderie. Une accumulation de peluches dans le domicile peut représenter à un risque sanitaire et un risque d'incendie.

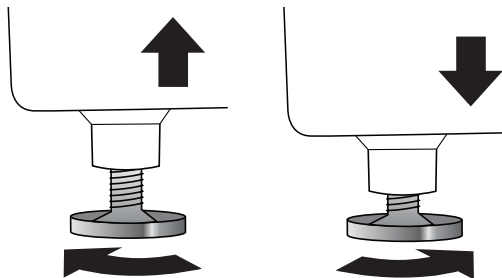


ÉTAPE 4 - NIVELLEMENT DE LA SÉCHEUSE

1. Installer la sècheuse à son emplacement final. Veiller à ne pas écraser ni déformer le conduit d'évacuation. Vérifier que les quatre pieds sont en contact ferme avec le plancher et que la sècheuse repose solidement dessus.

REMARQUE : Pour une sècheuse à gaz, vérifier que la canalisation de gaz flexible n'est pas déformée.

2. Avec un niveau, vérifier que la sècheuse est d'aplomb transversalement et d'avant en arrière.
3. Si la sècheuse n'est pas d'aplomb, ajuster les pieds de nivellement. Tourner les pieds dans le sens horaire pour les déployer (et relever la sècheuse) ou antihoraire pour les rétracter (et abaisser la sècheuse).



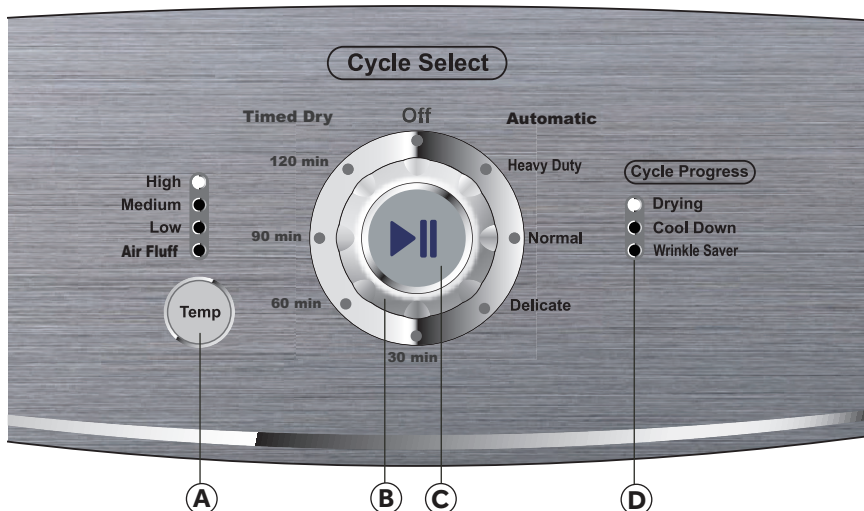
ÉTAPE 5 - FIN DE L'INSTALLATION

1. Brancher le cordon électrique de la sècheuse dans la prise de courant adéquate.
2. Restaurer l'alimentation électrique au niveau de la prise. Vérifier que le disjoncteur est activé.
3. Éliminer/recycler tous les matériaux d'emballage.
4. S'assurer que l'espace autour de la sècheuse est propre et exempt de toute matière combustible, essence et autres vapeurs inflammables. Veiller aussi à ce qu'aucun article (boîtes, vêtements, etc.) n'entrave le débit d'air de combustion et de ventilation par le panneau à persiennes situé à l'arrière de la sècheuse.
5. Tester le fonctionnement de la sècheuse en sélectionnant un programme de séchage minuté à l'air chaud. Voir la section "Instructions d'utilisation".

REMARQUE : Pour les sècheuses à gaz, il est impératif de purger la canalisation de gaz avant l'allumage du brûleur. Si le brûleur ne s'allume pas en 45 secondes maximum lors de la mise en marche initiale de la sècheuse, le contacteur de sécurité désactive le brûleur. Si cela se produit, désactiver la sècheuse et attendre 5 minutes avant de réessayer d'allumer le brûleur.

TABLEAU DE COMMANDE ET FONCTIONS

TABLEAU DE COMMANDE



(A) BOUTON TEMP

- Utiliser ce bouton pour sélectionner une température de séchage. La machine comporte 4 températures de séchage : High (élevée), Medium (moyenne), Low (basse) et Air Fluff (séchage doux à l'air).

(B) BOUTON DE SÉLECTION DU PROGRAMME

- Démarrer la sècheuse en faisant tourner le bouton de sélection du programme.

REMARQUE : Si l'on ne démarre pas la sècheuse, elle s'éteint automatiquement au bout de 5 minutes.

- Le mode Timed Dry (séchage minuté) comporte 3 programmes automatiques et 4 sélections :

Heavy Duty (service intense) - Utiliser ce programme pour les vêtements lourds comme les jeans et les serviettes.

Normal – Utiliser ce programme pour les tissus à pressage permanent, les tissus synthétiques et les vêtements ordinaires.

Delicate (articles délicats) - Utiliser ce programme pour le séchage des petites charges et des tissus délicats.

Timed Dry (séchage minuté) - programmes de 30, 60, 90 ou 120 minutes.

(C) BOUTON START/PAUSE (MISE EN MARCHÉ/PAUSE)

- Appuyer sur ce bouton pour démarrer le programme sélectionné ou suspendre un programme en cours.

REMARQUE : Après avoir démarré la sècheuse, le programme en cours doit être suspendu si l'on souhaite modifier le réglage de température.

D TÉMOINS DE PROGRESSION DU PROGRAMME

- Lors de la mise sous tension initiale de la sècheuse, les témoins de progression du programme indiquent les étapes effectuées par le programme sélectionné.
- Une fois une étape terminée, le témoin s'éteint pour indiquer que l'étape suivante est en cours d'exécution.

CARACTÉRISTIQUES

SIGNAL DE FIN DE PROGRAMME

- Un signal retentit à la fin du programme de refroidissement pour signaler à l'utilisateur que la charge est prête.

WRINKLE SAVER (ANTI-FROISSEMENT)

- À la fin du programme de refroidissement, la sècheuse fait culbuter la charge périodiquement pendant 1 heure afin d'empêcher que les vêtements ne se froissent.

GUIDE DES PROGRAMMES

REMARQUE : Pour la protection de vos vêtements, tous les réglages et options ne sont pas disponibles sur tous les programmes. Les cases grisées indiquent les réglages par défaut correspondant à chaque programme.

PROGRAMME	TYPE DE TISSU	PROCESSUS DE SÉCHAGE	TEMPÉRATURE
Automatic (automatique) Heavy Duty (service intense)	Tissus résistants grand teint très sales	Chaleur Refroidissement Wrinkle Saver (antifroissement)	Élevée
			n/a
Automatic (automatique) Normal	Articles en coton, lin et charges mixtes	Chaleur Refroidissement Wrinkle Saver (antifroissement)	Élevée
			Moyenne Faible
Automatic (automatique) Delicate (articles délicats)	Lingerie, tissus transparents avec ornements en dentelle	Chaleur Refroidissement Wrinkle Saver (antifroissement)	Faible
			n/a
Timed Dry (séchage minuté)	Articles en coton, lin et charges mixtes	Chaleur Refroidissement Wrinkle Saver (antifroissement)	Moyenne
			Élevée Faible Air Fluff (séchage doux à l'air)

INSTRUCTIONS D'UTILISATION

ÉTAPE 1 - PRÉPARATION ET TRI DU LINGE

- Consulter les étiquettes de vêtement du fabricant pour les instructions de séchage.
- Dans la mesure du possible, retourner les poches pour obtenir un séchage uniforme.
- Attacher les cordons et ceintures en tissu pour qu'ils ne s'emmêlent pas.
- Fermer les fermetures à glissière, les boutons pression et les crochets afin qu'ils ne s'accrochent pas à d'autres articles.
- S'assurer que les boutons et ornements des vêtements résistent à des températures élevées et qu'ils n'endommageront pas la surface du tambour.
- Afin d'éviter que les taches ou souillures ne se fixent sur les tissus, vérifier que toutes les taches et souillures ont été éliminées durant le programme de lavage. Si tel n'est pas le cas, les laver à nouveau.
- Pour éviter que les vêtements ne s'emmêlent et faciliter leur retrait de la machine, placer les petits articles dans un filet à vêtements avant de charger le linge.
- Séparer les tissus qui retiennent les peluches de ceux qui la forment. Les vêtements susceptibles de produire des peluches doivent être retournés sur l'envers avant d'être placés dans la sècheuse.

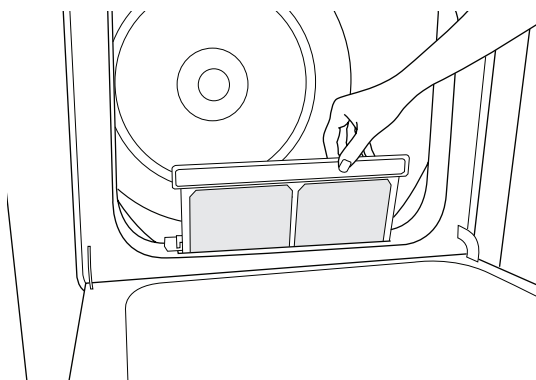
ÉTAPE 2 - NETTOYAGE DU FILTRE À PELUCHES

1. Nettoyer le filtre à peluches avant chaque utilisation. Pour retirer le filtre à peluches, tirer sur la poignée du filtre à peluches située à l'intérieur de la porte de la sècheuse.
2. Faire rouler les peluches accumulées sur le filtre à peluches avec les doigts pour les retirer. Ne pas rincer ni laver le filtre à peluches pour enlever les peluches.
3. Réinstaller le filtre à peluches en le faisant glisser.

REMARQUES :

- Ne pas utiliser la sècheuse si le filtre à peluches n'est pas installé. Sans filtre à peluches, les vêtements à faire culbuter pourraient pénétrer dans le système d'évacuation et endommager la sècheuse.

- L'accumulation de peluches sur le filtre entravera le débit de ventilation et allongera la durée de séchage.



ÉTAPE 3 - CHARGEMENT DE LA SÉCHEUSE

1. Charger les vêtements humides dans le tambour de la sécheuse sans les tasser.
2. Fermer la porte de la sécheuse.

REMARQUES :

- Ne pas remplir la sécheuse de vêtements.
- Une charge de linge adéquate doit représenter entre un tiers et la moitié du volume du tambour. Laisser suffisamment d'espace dans l'appareil pour que les vêtements puissent culbuter librement, sécher uniformément et sans se froisser.
- Pour sécher des articles volumineux, ne charger que 2 à 3 vêtements de grande taille par charge en les mêlant à quelques vêtements de petite et moyenne taille.
- Pour les vêtements délicats et les charges de petite taille, ajouter quelques serviettes pour que les vêtements culbutent. Ceci permettra aux vêtements de sécher de façon uniforme et sans se froisser.

ÉTAPE 4 - DÉMARRAGE DE LA SÉCHEUSE

1. Démarrer la sécheuse en faisant tourner le BOUTON DE SÉLECTION DU PROGRAMME.
2. Sélectionner un programme de séchage.
3. Si désiré, modifier les réglages par défauts et options.
4. Pour démarrer la sécheuse, appuyer sur le BOUTON START/PAUSE (mise en marche/pause) à l'avant du bouton rotatif.

REMARQUE :

- Si l'on ouvre la porte, le programme en cours est suspendu. Fermer la porte et appuyer sur le BOUTON START/PAUSE (mise en marche/pause) pour reprendre le programme.

⚠ AVERTISSEMENT

Toujours débrancher la sècheuse afin d'éviter tout choc électrique avant le nettoyage.

Le non-respect de cet avertissement peut entraîner un décès ou des blessures.

Avant d'utiliser des produits de nettoyage, toujours lire et suivre les instructions et avertissements du fabricant afin d'éviter toute blessure ou dommage du produit.

NETTOYAGE ET ENTRETIEN

- Utiliser uniquement un chiffon mouillé ou trempé d'eau savonneuse pour nettoyer le tableau de commande.
- Si l'on renverse de l'assouplissant pour tissu, de l'agent de blanchiment ou du détergent liquide/en poudre sur la caisse de l'appareil, essuyer immédiatement la caisse pour éviter d'endommager le revêtement.
- Ne pas utiliser de nettoyeurs abrasifs, de produits chimiques puissants, d'ammoniaque, d'agent de blanchiment, de détergent concentré ou de solvants pour nettoyer la sècheuse. Ces produits chimiques peuvent dissoudre, endommager ou décolorer la sècheuse.
- Ne pas utiliser de nettoyeur en atomiseur pour nettoyer l'intérieur de la sècheuse. Cela pourrait produire des vapeurs dangereuses ou entraîner un choc électrique. Si le tambour est taché, le nettoyer avec un linge humide. Retirer tout résidu éventuel avant de sécher la charge suivante.

NETTOYAGE DU FILTRE À PELUCHES

- Des résidus de détergent ou d'assouplisseur de tissu peuvent s'accumuler sur le filtre à peluches. Cette accumulation peut rallonger le temps de séchage ou entraîner l'arrêt de la sècheuse avant que la charge ne soit complètement sèche.
- Nettoyer le filtre à peluches tous les 6 mois ou plus fréquemment s'il est obstrué par une accumulation de résidus.

Étapes à respecter pour le nettoyage du filtre à peluches :

1. Retirer les peluches accumulées en quantité normale avec les doigts.
2. Mouiller les deux côtés du filtre à peluches avec de l'eau chaude.
3. Appliquer du détergent liquide mélangé à de l'eau et frotter avec une brosse en nylon.
4. Rincer soigneusement le filtre à peluches à l'eau chaude.
5. Sécher entièrement le filtre à peluches avant de réinstaller et de réutiliser la sècheuse.

RETRAIT DES PELUCHES ACCUMULÉES

À l'intérieur de la caisse de la sécheuse

- Retirer les peluches tous les 2 ans ou plus fréquemment, selon la fréquence d'utilisation de la sécheuse. Le nettoyage doit être effectué par une personne qualifiée.

Système d'évacuation

- Le système d'évacuation doit être inspecté et nettoyé au moins tous les 12 mois dans des conditions d'utilisation normales. Plus on utilise la sécheuse, plus on doit augmenter la fréquence d'inspection du système d'évacuation et du clapet d'évacuation de la sécheuse pour en vérifier le bon fonctionnement.

PRÉCAUTIONS À PRENDRE AVANT UN DÉPART

- Débrancher la sécheuse de la prise de courant ou déconnecter l'alimentation électrique.
- Nettoyer le filtre à peluches. Voir la section "Nettoyage du filtre à peluches".
- (Pour les sécheuses à gaz uniquement) : Fermer le robinet d'arrêt de la canalisation de gaz.

PRÉPARATION AVANT UN DÉMÉNAGEMENT OU UN ENTREPOSAGE

Suivre les étapes suivantes en complément des étapes de la section "Précautions à prendre avant un départ".

- Déconnecter la sécheuse du système d'évacuation.
- Tourner les pieds de nivellement de façon à ce qu'ils soient complètement rétractés dans la caisse de la sécheuse.
- Utiliser du ruban de masquage pour fixer la porte de la sécheuse.
- Déplacer et entreposer la sécheuse uniquement en position verticale.

REMARQUE : Pour les sécheuses à gaz, fermer l'arrivée de gaz qui alimente la sécheuse. Déconnecter la sécheuse de la canalisation d'alimentation en gaz et retirer les raccords fixés au tuyau d'arrivée de gaz de la sécheuse. Fermer la canalisation d'alimentation en gaz en plaçant un bouchon dessus.

DÉPANNAGE

BRUITS DE FONCTIONNEMENT NORMAUX

- Les bruits suivants sont normaux lorsque la sècheuse est en cours de fonctionnement.
- Bruit de culbutage : Il est normal d'entendre ce bruit à mesure que les vêtements mouillés et lourds sont projetés contre les parois de la sècheuse.
- Bruit de refoulement d'air : Cela se produit lorsque le tambour de la sècheuse tourne et que de l'air pénètre à l'intérieur du tambour.

LA SÈCHEUSE NE FONCTIONNE PAS

- Vérifier que la sècheuse est branchée. La prise est peut-être lâche.
- Vérifier que la tension à la prise de courant murale est adéquate. Les sècheuses électriques nécessitent une alimentation électrique de 240 V.
- Vérifier que le disjoncteur ne doit pas être réenclenché et que le fusible ne doit pas être remplacé.
- Vérifier que le bouton de sélection du programme est à la position d'arrêt. Appuyer de nouveau sur le bouton Start/Pause (mise en marche/pause).
- Vérifier que la porte de la sècheuse est bien fermée.

LES VÊTEMENTS NE SÈCHENT PAS

- La sècheuse est peut-être surchargée. Les vêtements mouillés ne devraient pas occuper plus de la moitié du volume total du tambour.
- Inspecter le circuit d'évacuation et le clapet d'évacuation. Le système d'évacuation doit être complètement exempt de toute obstruction.
- Le système d'évacuation doit être entretenu et nettoyé régulièrement.
- Il faudra peut-être trier la charge de linge de la sècheuse. Les vêtements lourds doivent être séparés des vêtements légers.
- Il faudra peut-être ré-agencer les articles encombrants.
- Inspecter le filtre à peluches. Le filtre à peluches doit être nettoyé avant chaque charge.
- Vérifier que la sècheuse n'est pas programmée au réglage de température Air Fluff (séchage doux à l'air) (sans chaleur).
- Pour les sècheuses à gaz, s'assurer que la canalisation d'alimentation en gaz est bien ouverte.

LA SÈCHEUSE FAIT DU BRUIT

Bruit de grattement ou son métallique :

- Des objets se trouvent peut-être dans le tambour de la sècheuse. Arrêter la sècheuse et vérifier qu'elle ne contient pas d'objets étrangers comme des clés, de la monnaie ou des objets lourds.

Bruits de vibration :

- La charge est peut-être mal répartie. Arrêter la sècheuse et ré-agencer la charge de linge.
- La sècheuse n'est peut-être pas d'aplomb. Vérifier que les 4 pieds de nivellement sont en contact ferme avec le plancher et que la sècheuse est d'aplomb.
- Voir la section "Bruits de fonctionnement normaux".

Électricité statique :

- Causée par un séchage excessif. Ajuster les réglages pour réduire la durée de séchage et utiliser de l'assouplissant pour tissu ou une feuille d'assouplissant pour sècheuse.

La charge est froissée :

- La charge de linge est peut-être restée trop longtemps dans la sècheuse à la fin du programme. Veiller à retirer rapidement les vêtements une fois le programme terminé.
- La sècheuse est peut-être surchargée. Le tambour de la sècheuse doit être à moitié plein - c'est le niveau maximal de remplissage.

Odeurs :

- Si l'on laisse des vêtements mouillés dans la laveuse ou la sècheuse, ceux-ci peuvent développer une odeur désagréable. Le fait de les sécher ne permettra pas de supprimer cette odeur. Laver à nouveau les vêtements avant de les sécher.
- L'élément de séchage électrique peut générer une odeur forte lorsque l'on utilise la sècheuse pour la première fois. L'odeur disparaîtra après le premier programme.

GARANTIE LIMITÉE

SERVICE À DOMICILE

GARANTIE COMPLÈTE DE UN AN

Pendant 12 mois à compter de la date d'achat d'origine, Haier réparera ou remplacera gratuitement n'importe quelle pièce (main-d'œuvre comprise) comportant un défaut de matériau ou de fabrication.

GARANTIE LIMITÉE

Au-delà d'un an après la date d'achat d'origine, Haier fournira gratuitement une pièce (tel qu'indiqué cidessous) pour remplacer ladite pièce suite à un défaut de matériau ou de fabrication. Haier assume l'entière responsabilité du coût de cette pièce. Tous autres frais, tels les frais de main-d'œuvre, de déplacement, etc, sont à la charge du propriétaire.

De la deuxième à la cinquième année

Haier fournira toutes les pièces de rechange défectueuses présentant un défaut de matériau ou de fabrication.

REMARQUE : Cette garantie prend effet à la date à laquelle l'article a été acheté et le reçu de l'achat d'origine doit être présenté au représentant de dépannage autorisé avant qu'une quelconque réparation sous garantie ne soit effectuée.

Exceptions : Garantie pour usage commercial ou usage de location

90 jours sur la main-d'œuvre à compter de la date d'achat d'origine

90 jours sur les pièces à compter de la date d'achat d'origine

Aucune autre garantie ne s'applique.

SERVICE AU TITRE DE LA GARANTIE

Contactez le centre de dépannage autorisé le plus proche. Tout dépannage doit être effectué par un centre de dépannage autorisé Haier. Pour le nom et le numéro de téléphone du centre de dépannage autorisé le plus proche de votre domicile, composer le 1-877-337-3639.

Avant d'appeler le centre, veuillez garder à disposition les renseignements suivants :

Numéros de plaque signalétique de l'appareil. Le nom et l'adresse du revendeur auprès duquel vous avez acheté l'appareil, ainsi que la date d'achat.

Une description claire du problème rencontré.

Une preuve d'achat (reçu de vente).

Cette garantie est valable pour des appareils à l'intérieur du territoire continental des États-Unis, de Porto Rico et du Canada. Cette garantie ne couvre pas :

Le remplacement ou la réparation des fusibles, disjoncteurs, du câblage ou du circuit de plomberie du domicile.

Un produit dont le numéro de série d'origine a été enlevé ou modifié.

Tous frais de dépannage non identifiés comme étant normaux tel un dépannage dans une zone ou une tranche horaire normale.

Vêtements endommagés.

Les dommages liés à l'expédition.

Les dommages liés à une installation ou un entretien inadapté.

Les dommages causés par l'un des éléments suivants : Mauvaise utilisation, utilisation abusive, accident, incendie ou catastrophe naturelle.

Les dommages résultant d'un dépannage fourni par une entité autre qu'un revendeur ou centre de dépannage autorisé Haier.

Les dommages causés par un courant, une tension ou une alimentation électrique incorrects.

Les dommages résultant d'une quelconque modification ou altération du produit ou d'un ajustement non autorisé par Haier.

Un ajustement des commandes utilisées par le consommateur tel qu'identifiées dans le manuel de l'utilisateur.

Les tuyaux, boutons, plateaux à peluches et tout accessoire ou pièce jetable.

Les frais de main-d'œuvre, transport pour dépannage et d'expédition pour le retrait et le remplacement de pièces défectueuses au-delà de la période de 12 mois.

Les dommages liés à une utilisation autre qu'une utilisation domestique normale.

Tout frais de transport et d'expédition.

CETTE GARANTIE LIMITÉE REMPLACE TOUTE AUTRE GARANTIE EXPRESSE OU IMPLICITE, Y COMPRIS LES GARANTIES DE COMMERCIALISATION OU DE PERTINENCE À UN USAGE PARTICULIER

Le recours offert dans cette garantie est exclusif et se substitue à toute autre garantie.

Cette garantie ne couvre pas les dommages fortuits ou indirects; aussi les limitations décrites ci-dessus peuvent ne pas s'appliquer à votre cas. Certains États ne permettent pas de limitation sur la durée d'une garantie implicite, aussi les limitations décrites ci-dessus peuvent ne pas s'appliquer à votre cas.

Cette garantie vous confère des droits juridiques spécifiques. Vous pouvez également jouir d'autres droits qui peuvent varier d'un État à l'autre.

Haier America
New York, NY 10018

ÍNDICE

INSTRUCCIONES IMPORTANTES DE SEGURIDAD	60
Precauciones para la secadora a gas	60
Precauciones de seguridad para la instalación.....	61
Precauciones generales relativas a la seguridad.....	61
PIEZAS Y CARACTERÍSTICAS	63
INSTRUCCIONES DE INSTALACIÓN	64
Herramientas necesarias	64
Piezas adicionales requeridas	64
Requisitos de ubicación.....	65
Requisitos del suministro eléctrico y de gas	66
Requisitos del sistema de escape	70
Requisitos adicionales para las casas rodantes	72
INSTRUCCIONES PASO A PASO.....	73
Paso 1 - Desempaque la secadora.....	73
Paso 2 - Sujete un cable eléctrico a la secadora (solamente para la secadora eléctrica)	73
Paso 2 - Conecte a la línea de suministro de gas (solamente para la secadora a gas).....	76
Paso 3 - Conecte a un sistema de escape	78
Paso 4 - Nivele la secadora.....	79
Paso 5 - Complete la instalación.....	79
PANEL DE CONTROL Y CARACTERÍSTICAS	80
INSTRUCCIONES DE FUNCIONAMIENTO	82
Paso 1 - Prepare y separe las prendas	82
Paso 2 - Limpie el filtro de pelusa.....	82
Paso 3 - Cargue la secadora	83
Paso 4 - Ponga la secadora en marcha	83
GUÍA PARA EL CUIDADO Y LA LIMPIEZA.....	84
Limpieza y mantenimiento.....	84
Precauciones al irse de vacaciones.....	85
Preparación para la mudanza o el almacenaje	85
SOLUCIÓN DE PROBLEMAS	86
GARANTÍA LIMITADA.....	88

INFORMACIÓN A TENER EN CUENTA

Le agradecemos la compra de este producto de marca Haier. Este manual para el usuario le ayudará a obtener el mejor funcionamiento de su nueva secadora.

Para referencia futura, anote el número de modelo y de serie, que están situados en la parte posterior de la secadora, y la fecha de compra.

Engrape el comprobante de compra a este manual para asistirle cuando necesite obtener servicio bajo la garantía.

Número de modelo

Número de serie

Fecha de compra

INSTRUCCIONES IMPORTANTES DE SEGURIDAD

⚠ ADVERTENCIA

A fin de reducir el riesgo de incendio, choque eléctrico o de daño a las personas cuando usen el aparato, deben seguirse las precauciones básicas, incluidas las siguientes:

NOTA: La secadora ha sido diseñada cumpliendo los requisitos de ANSI Z21.5.1 o ANSI/UL 2158 - CAN/CSA C22.2 No. 112-97 (últimas ediciones) SOLAMENTE PARA USO DOMÉSTICO. No se recomienda usar esta secadora para aplicaciones comerciales, tales como restaurantes y salones de belleza.

- La secadora deberá estar conectada a tierra de acuerdo con los códigos locales, o en la ausencia de códigos locales, con el National Electrical Code (Código nacional eléctrico), ANSI/NFPA 70 o el Canadian Electrical Code (Código canadiense de electricidad), CSA C22.1.
- Lea todas las instrucciones antes de usar este aparato.
- Antes de usarse este aparato, deberá ser debidamente instalado y ubicado de acuerdo a las instrucciones de instalación.
- Use este aparato solamente para el propósito que fue diseñado, como se describe en este manual para el usuario.
- No use la secadora para secar ropa en entornos comerciales.

PRECAUCIONES PARA LA SECADORA A GAS

⚠ ADVERTENCIA

Para su seguridad, la información en este manual debe ser observada para minimizar el riesgo de incendio o explosión, o para prevenir daños a propiedades, heridas personales o la pérdida de vida.

- La instalación deberá llevarse a cabo por parte de un contratista competente o con licencia, un plomero o un instalador de gas competente o autorizado por el estado, la provincia o la región en donde se instale este aparato.
- Los materiales combustibles, la gasolina y otros vapores y líquidos inflamables no deben guardarse cerca de la secadora.

PASOS QUE USTED DEBE SEGUIR SI HUELE A GAS

- No trate de encender ningún aparato electrodoméstico.
- No toque ningún interruptor eléctrico. No use ningún teléfono en su edificio.
- Desaloje a todos los ocupantes de la habitación, edificio o área.
- Llame inmediatamente a su proveedor de gas desde el teléfono de un vecino. Siga las instrucciones de su proveedor de gas.
- Si usted no puede comunicarse con su proveedor de gas, llame al departamento de bomberos.

PRECAUCIONES DE SEGURIDAD PARA LA INSTALACIÓN

PELIGRO

Antes de deshacerse de su viejo aparato, quitele la puerta o la tapa, para que los niños no puedan esconderse ni quedar atrapados dentro del mismo.

- La secadora deberá ser instalada por un técnico de aparatos competente.
- No instale ni almacene este aparato donde esté expuesto al agua y/o al clima.
- El aparato deberá ser conectado a tierra como es debido, para que cumpla con todos los códigos y ordenanzas eléctricos. Vea la sección "Requisitos eléctricos".
- No instale esta secadora a un sistema de escape con ducto de plástico o de metal de hoja flexible. El ducto flexible se puede derrumbar, aplastar con facilidad y atrapar pelusa. Estas condiciones obstruirán el flujo de aire de la secadora de ropa y aumentarán el riesgo de incendio.

PRECAUCIONES GENERALES RELATIVAS A LA SEGURIDAD

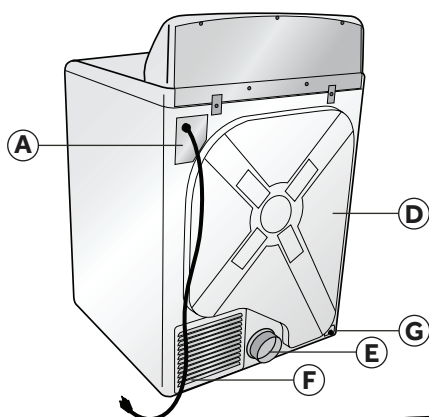
- Mantenga el área alrededor de la abertura de ventilación y las áreas adyacentes a esta abertura sin pelusa, polvo o tierra.
- Mantenga el área donde está la secadora despejada y libre de artículos que pudieran obstruir el flujo de aire para la combustión y la ventilación a través del panel con rejillas ubicado en la parte posterior de la secadora.
- Es necesario supervisar cuidadosamente a los niños si los mismos usan el aparato o cuando éste se use cerca de ellos. No permita que los niños jueguen con o sobre este aparato ni en el interior del mismo.

- No seque artículos que ya se hayan limpiado, lavado, remojado o manchado con gasolina, disolventes de limpieza en seco, u otras sustancias inflamables o explosivas ya que despiden vapores que pueden encenderse o causar una explosión.
- No coloque los objetos expuestos a aceite para cocinar en su secadora. Los objetos expuestos a aceite para cocinar pueden contribuir a una reacción química que podría causar que una carga se inflame.
- Si se ha usado el material con líquidos o sólidos inflamables, no deberá secarse en la secadora hasta que se haya quitado todo rastro de líquidos y vapores inflamables.
- No introduzca las manos en el aparato cuando el tambor esté en movimiento.
- No trate de forzar los controles.
- No utilice suavizantes de telas o productos para eliminar la estática de las prendas a menos que lo recomiende el fabricante del suavizante de telas o del producto en uso.
- No utilice calor para secar artículos que contengan goma espuma o materiales con textura similar a la goma.
- Limpie el filtro de pelusa antes o después de cada carga.
- La parte interior del aparato y el ducto de escape deben limpiarse periódicamente por parte de personal de servicio competente.
- Para reducir al mínimo la posibilidad de un choque eléctrico, desenchufe este aparato del suministro de energía antes de intentar realizar el mantenimiento o la limpieza.
NOTA: El girar la perilla selectora de ciclos hacia la posición de "Off" (Apagado), NO desconectará el aparato del suministro de energía.
- Nunca desenchufe la secadora jalándola del cable eléctrico. Siempre sujete el enchufe con firmeza y jálelo de modo recto fuera del contacto.
- No intente proveer servicio, reparar ni reemplazar ninguna parte del aparato a menos que esto se recomiende específicamente en este manual o en instrucciones de reparación publicadas para el usuario que usted comprenda y si cuenta con la experiencia necesaria para llevar a cabo dicha reparación.
- Antes de desechar la secadora o de retirarla del servicio, quítele la puerta o la tapa del compartimiento de secado.

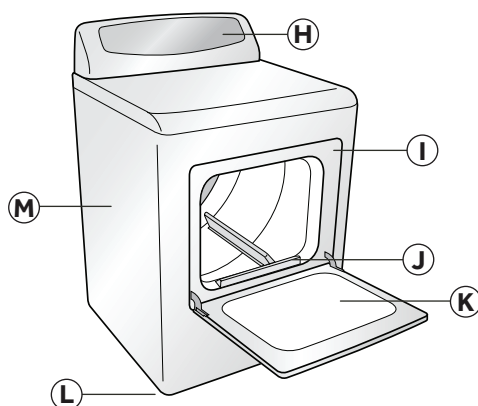
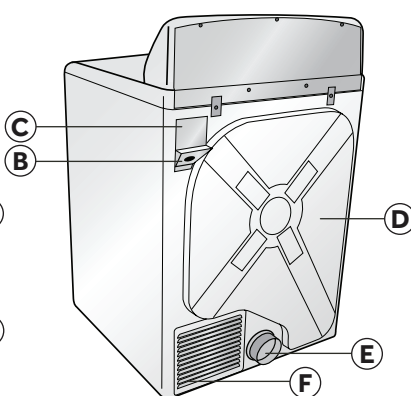
GUARDE ESTAS INSTRUCCIONES SOLAMENTE PARA USO DOMÉSTICO

PIEZAS Y CARACTERÍSTICAS

Secadora a gas



Secadora eléctrica



- (A)** Cable eléctrico (120 voltios/60 Hz)
- (B)** Soporte de montaje del protector de cables (El modelo eléctrico canadiense tiene conectado un cable de suministro eléctrico de 240 voltios/60 Hz.)
- (C)** Cubierta de acceso al bloque de terminal
- (D)** Panel de acceso
- (E)** Salida de escape
- (F)** Panel de ventilación con rejillas
- (G)** Tubo de entrada de gas
- (H)** Panel de control
- (I)** Interruptor de seguridad de la puerta
- (J)** Filtro de pelusa
- (K)** Puerta de la secadora
- (L)** Patas niveladoras
- (M)** Carcasa de la secadora

INSTRUCCIONES DE INSTALACIÓN

ADVERTENCIA

Riesgo de incendio

La instalación de la secadora de ropa debe estar a cargo de un instalador competente.

Instale la secadora de ropa según las instrucciones del fabricante y los códigos locales.

Para reducir el riesgo de lesiones severas o la muerte, siga todas las instrucciones de instalación.

HERRAMIENTAS NECESARIAS

- Destornillador Phillips
 - Destornillador de hoja plana
 - Pinzas de articulación regulables
 - Llave de extremo abierto de ½"
 - Nivel de carpintero
 - Cinta de medir (de 12 pies [3,7 m] mín.)
- Solamente para las instalaciones a gas:**
- Llave para tubos
 - 2 llaves ajustables

PIEZAS ADICIONALES REQUERIDAS

- Tubería de escape de metal rígido o flexible de 4" (10,2 cm)
- Abrazaderas para ducto
- Cinta para tubos
- Cable eléctrico (solamente para la secadora eléctrica de EE.UU.)
 - Deberá comprarse un juego de cable de suministro eléctrico que satisfaga los códigos eléctricos locales. Deberá usarse para la secadora un cable de suministro eléctrico de 3 ó 4 hilos tipo NEMA 14-30 o 10-30, SRDT o ST (según se necesite) de 120/240 voltios CA como mínimo, 30 amperios, con 3 conectores de horquilla con extremos abiertos, con los extremos hacia arriba o conectores con lazo cerrado, marcados para ser usados con secadoras de ropa.
 - Protector de cables que esté en la lista de UL
- Piezas para la conexión a gas (solamente para la secadora a gas)
 - Codo NPT de ¾"
 - Accesorio adaptador abocinado NPT de ¾"
 - Conector de gas flexible de ¾"
 - Compuesto para unión de tuberías
- Juego para la instalación en casas rodantes (solamente para las secadoras a gas de casas rodantes)

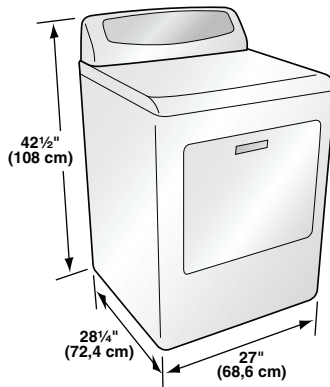
REQUISITOS DE UBICACIÓN

! ADVERTENCIA

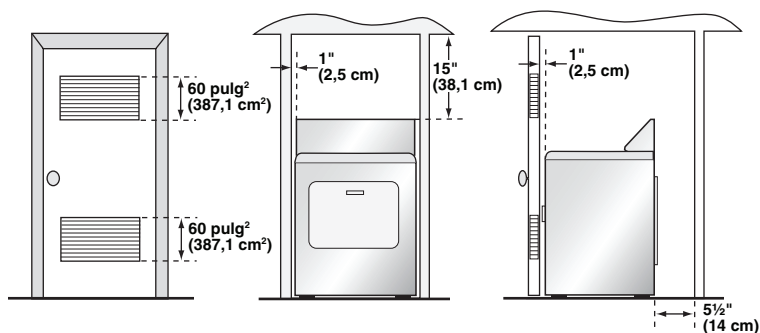
No instale la secadora en lugares donde se guarda o se almacena gasolina u otros productos inflamables. Si se instala la secadora en un garage, deberá estar a un mínimo de 18 pulgadas (45,7 cm) por encima del piso. No seguir estas instrucciones puede ocasionar la muerte, explosión, incendio o quemaduras.

- La secadora deberá ser instalada sobre un piso sólido. El piso de hormigón es el mejor.
- El piso deberá estar nivelado con un declive máximo de 1" (2,5 cm) debajo de toda la secadora.
- Un lugar apropiado, protegido de la luz directa del sol y de fuentes de calor, tales como radiadores, zócalos radiantes o aparatos de cocción.
- No la instale sobre una alfombra.
- La ubicación deberá tener contactos apropiados para el suministro eléctrico y de gas. Consulte la sección "Requisitos para el suministro eléctrico y de gas" para obtener detalles.
- No instale la secadora en un área donde esté en contacto con cortinas, alfombras gruesas o cualquier cosa que pudiera obstruir el flujo de aire para la combustión y la ventilación.

DIMENSIONES DE LA SECADORA



REQUISITOS PARA ALCOBAS O CLÓSETS



ESPACIOS MÍNIMOS

- Las dimensiones que se muestran son los espacios mínimos recomendados permitidos.
- Se necesita que haya espacio a los lados de la secadora para evitar la transferencia de ruido.
- Será necesario que haya espacio en la parte posterior de la secadora para colocar la tubería de escape.

OTROS REQUISITOS

- Esta secadora deberá ventilarse al exterior.
- No instale la secadora en un clóset con una puerta maciza.
- La puerta del clóset deberá tener rejillas u orificios de ventilación con una abertura mínima de 120 pulg² (774,2 cm²), dividida en partes iguales en la parte superior e inferior de la puerta. No deberá obstruirse el flujo de aire de ningún modo.
- No se debe instalar ningún otro electrodoméstico que use combustible en el mismo clóset en el que se encuentra la secadora a gas.

REQUISITOS DEL SUMINISTRO ELÉCTRICO Y DE GAS

SECADORA ELÉCTRICA (SOLAMENTE PARA EE.UU.)

⚠ ADVERTENCIA

La secadora deberá enchufarse en un contacto eléctrico debidamente puesto a tierra, de 3 ó 4 hilos, monofásico, de 120/240 voltios (o de 120/208 voltios), 60 Hz, CA solamente, conectado a un circuito individual de 30 amperios con fusible, con un cortacircuitos o fusible retardador de 30 amperios. No ponga a funcionar una lavadora y una secadora en el mismo circuito.

⚠ ADVERTENCIA

Este aparato debe estar conectado a tierra. En caso de que se produzca un cortocircuito, la conexión a tierra reduce el riesgo de choque eléctrico al proporcionar una ruta de escape para la corriente eléctrica.

NOTA: El suministro eléctrico de la secadora deberá cumplir con los códigos y ordenanzas locales, y la última edición del National Electrical Code (Código nacional eléctrico), ANSI/NFPA 70.

- Si el suministro eléctrico que hay disponible en la ubicación deseada para la secadora no satisface los requisitos mencionados anteriormente, póngase en contacto con un electricista competente con licencia.
- Una secadora que funciona con un suministro eléctrico de 208 voltios demorará más tiempo para secar que si estuviera funcionando con un suministro eléctrico de 240 voltios.
- La secadora no ha sido equipada con un cable eléctrico. Deberá comprarse por separado un juego que satisfaga los códigos eléctricos locales. Puede usarse para la secadora un cable de suministro eléctrico de 3 ó 4 hilos tipo NEMA 14-30 o 10-30, SRDT o ST (según se necesite) de 120/240 voltios CA como mínimo, 30 amperios, con 3 conectores de horquilla con extremos abiertos, con los extremos hacia arriba o conectores con lazo cerrado, marcados para ser usados con secadoras de ropa.
- Deberá sujetarse a la secadora un protector de cables que esté en la lista de UL para sostener el cable eléctrico.
- No use un receptáculo de alambres de aluminio con un cable y enchufe con hilos de cobre (o viceversa). La combinación apropiada de cableado y receptáculo deberá ser un cable eléctrico con hilos de cobre con un receptáculo con hilos de cobre.
- El contacto eléctrico deberá estar ubicado de modo que el cable esté accesible cuando la secadora esté instalada en su sitio.

SECADORA ELÉCTRICA (EN CANADÁ SOLAMENTE)

⚠ ADVERTENCIA

La secadora deberá enchufarse en un contacto eléctrico debidamente puesto a tierra, de 4 hilos, monofásico, de 120/240 voltios, 60 Hz, CA solamente, conectado a un circuito individual de 30 amperios con fusible, con un cortacircuitos o fusible retardador de 30 amperios. No ponga a funcionar una lavadora y una secadora en el mismo circuito.

⚠ ADVERTENCIA

Este aparato debe estar conectado a tierra. En caso de que se produzca un cortocircuito, la conexión a tierra reduce el riesgo de choque eléctrico al proporcionar una ruta de escape para la corriente eléctrica.

NOTA: El servicio eléctrico a la secadora deberá hacerse conforme a los códigos y ordenanzas locales, y la última edición del Canadian Electrical Code (Código eléctrico canadiense), CSA C22.1, parte 1.

- Si el suministro eléctrico que hay disponible en la ubicación deseada para la secadora no satisface los requisitos mencionados anteriormente, póngase en contacto con un electricista competente con licencia.
- No use un receptáculo de alambres de aluminio con un cable y enchufe con hilos de cobre (o viceversa). La combinación apropiada de cableado y receptáculo deberá ser un cable eléctrico con hilos de cobre con un receptáculo con hilos de cobre.
- El contacto eléctrico deberá estar ubicado de modo que el cable esté accesible cuando la secadora esté instalada en su sitio.

SECADORA A GAS

REQUISITOS DEL SUMINISTRO ELÉCTRICO

⚠ ADVERTENCIA

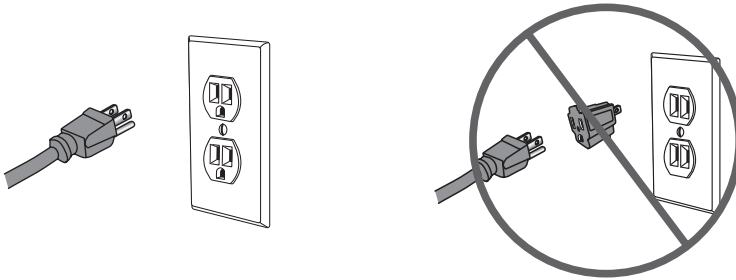
La secadora a gas deberá enchufarse en un contacto eléctrico debidamente puesto a tierra, de 3 hilos, monofásico, de 120 voltios, 60 Hz, CA solamente, con un cortacircuitos o fusible retardador de 15 amperios.

⚠ ADVERTENCIA

Este aparato debe estar conectado a tierra. En caso de que se produzca un cortocircuito, la conexión a tierra reduce el riesgo de choque eléctrico al proporcionar una ruta de escape para la corriente eléctrica.

- La secadora viene equipada con un cable eléctrico dotado de un enchufe de 3 terminales. No corte ni quite la terminal de puesta a tierra del enchufe.
- El cable eléctrico deberá ser enchufado en un contacto apropiado de 3 terminales, conectado a tierra de acuerdo con todos los códigos y ordenanzas locales. Si no hay un contacto adecuado, comuníquese con un electricista con licencia para que instale uno.
- Si usted no está seguro de que el contacto esté debidamente conectado a tierra, comuníquese con un electricista con licencia.

- No use un adaptador para cable de 3 terminales.
- No use un cable eléctrico de extensión.



REQUISITOS DEL SUMINISTRO DE GAS

NOTA: El servicio de gas a la secadora deberá hacerse de acuerdo con los códigos y ordenanzas locales y la última edición del National Fuel Gas Code (Código nacional de gas combustible), ANSI Z223.1 o, en Canadá, CAN/CGA B149.1.

Gas natural

- La secadora está equipada para uso con gas natural.

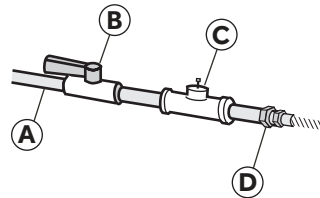
Gas LP (Propano líquido)

- La secadora puede convertirse para usarse con gas LP.
- La conversión a gas LP deberá llevarla a cabo un técnico de gas competente.

Línea de suministro de gas

- La línea de suministro de gas deberá ser un tubo de 1/2" (1,3 cm) y deberá tener una válvula de cierre individual manual instalada a menos de 6 pies (183 cm) de la secadora, según el National Fuel Gas Code (Código nacional de gas combustible), ANSI Z223.1/NFPA 54, o, en Canadá, con el Natural Gas and Propane Installation Code (Código para la instalación de gas natural y propano), B149.1.
- La válvula de cierre deberá estar donde se pueda alcanzar con facilidad para cerrarla y abrirla.
- Una derivación tapada NPT de 1/8" como mínimo deberá ser instalada inmediatamente arriba de la válvula de cierre. Este accesorio se usa para verificar la presión de gas.
- La línea de suministro debe terminar con un accesorio adaptador abocinado NPT de 3/8".

- (A) Línea de suministro de gas NPT de 1/2"
- (B) Válvula de cierre de gas
- (C) Derivación tapada NPT de 1/8" como mínimo
- (D) Accesorio adaptador abocinado NPT de 3/8"



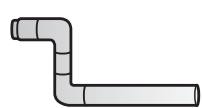
REQUISITOS DEL SISTEMA DE ESCAPE

⚠️ ADVERTENCIA

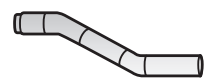
En esta sección se describen los requisitos para un sistema de escape seguro y eficaz. No seguir estas instrucciones puede ocasionar un rendimiento de secado insatisfactorio, daños a la secadora y peligro de incendio.

TUBERÍA

- Si el sistema de escape actual ha sido construido con un ducto de plástico o metal de hoja flexible, reemplácelo con un ducto de metal rígido.
- Use solamente un ducto de metal rígido de 4" (10,2 cm) de diámetro.
- Cuando haga giros en la tubería, use codos de 45° en vez de 90°. Esto provee un mejor flujo de aire y puede reducir la acumulación de pelusa en el sistema de escape.



Codo de 90° - Bueno



Codo de 45° - Mejor

- No exceda la longitud del ducto para el número de codos que se muestran en la tabla a continuación. El hacerlo puede ocasionar acumulación de pelusa, aumentar el tiempo de secado y crear un riesgo de incendio.
- Dos codos de 45° equivalen a un codo de 90°.

Longitud máxima recomendada de escape	
Tipos de capota de ventilación	
Se recomienda	Use solamente para las instalaciones de tendido corto
<p>4" (10,2 cm) diám. 4" (10,2 cm) diám. 4" (10,2 cm)</p>	<p>4" (10,2 cm) diám. 2 1/2" (6,4 cm)</p>

N° de codos de 90°	Metal rígido	Metal rígido
0	90 pies	60 pies
1	60 pies	45 pies
2	45 pies	35 pies
3	35 pies	25 pies

- Todas las uniones deberán estar ajustadas para evitar fugas. El extremo macho de cada sección de la tubería deberá estar dirigido lejos de la secadora.
- Utilice abrazaderas o cinta para ductos para conectar y sellar todas las uniones. No las conecte con tornillos ni otros sujetadores que se extiendan en el interior del tubo, ya que crearán un punto en donde se acumulará la pelusa.



Abrazadera

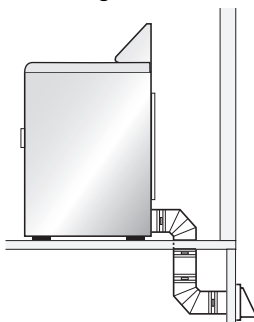
- Evite dirigir el sistema de escape a través de un área sin calor, ya que esto hará que se forme condensación en el interior del ducto y acelerará la acumulación de pelusa.
- Evite dirigir el sistema de escape en forma vertical a través del techo, ya que esto puede exponer el sistema de escape a corrientes de aire descendentes, ocasionando una mayor restricción de aire.
- Evite que el sistema de escape se doble, se comprima o se pliegue, ya que esto hará que se reduzca el flujo de aire y ocasionará un rendimiento insatisfactorio de secado.
- No ponga un filtro en el extremo del sistema de escape. Se acumulará pelusa y con el tiempo obstruirá el filtro. Use una capota de ventilación aprobada para terminar el ducto en el exterior.

CAPOTA DE VENTILACIÓN

- Use una capota de ventilación aprobada con una compuerta que se abra hacia fuera cuando la secadora esté funcionando. Cuando se detenga la secadora, la compuerta se cerrará automáticamente para evitar corrientes de aire y la entrada de insectos y roedores.
- Se recomiendan las capotas de ventilación estilo persiana o estilo caja. Son aceptables las capotas de estilo angular, pero deberán usarse solamente para las instalaciones con un tendido corto. Consulte la tabla "Longitud máxima recomendada de escape" para obtener más información.
- Para evitar restringir el flujo de aire, mantenga un espacio mínimo de 12" (30,5 cm) entre la capota de ventilación y el piso u otra obstrucción.

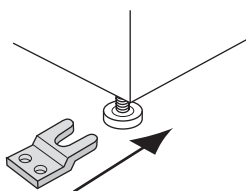
REQUISITOS ADICIONALES PARA LAS CASAS RODANTES

- La instalación deberá hacerse conforme al Manufactured Home Construction and Safety Standard (Estándar para la construcción y seguridad de hogares manufacturados), Título 24 CFR-Parte 3280 o el Canadian Manufactured Home Standard (Estándar canadiense para los hogares manufacturados), CAN/CSA-Z240 MH.
- Deberán tomarse medidas especiales para el aire exterior de complemento. La abertura deberá ser por lo menos dos veces más grande que la salida de escape de la secadora.
- Si se ventila la secadora a través del piso y dentro de un área encerrada debajo de la casa rodante, el sistema de escape deberá terminar en el exterior del recinto, con la terminación bien asegurada a la estructura de la casa rodante.



SOLAMENTE PARA LA SECADORA A GAS (SOLAMENTE PARA LAS CASAS RODANTES)

- La secadora deberá asegurarse al piso usando un juego para la instalación en casas rodantes. Siga las instrucciones provistas con el juego.



INSTRUCCIONES PASO A PASO

INSTALACIÓN DE LA SECADORA

Se recomienda que su nueva secadora sea instalada por un técnico de aparatos competente. Si le parece que tiene la habilidad para instalar la secadora, lea las instrucciones cuidadosamente antes de hacerlo.

CUIDADO: Si después de seguir estos pasos no está seguro de haber instalado la secadora adecuadamente, póngase en contacto con un técnico de aparatos competente.

PASO 1 - DESEMPAQUE LA SECADORA

1. Quite todos los materiales de empaque. Esto incluye la base de espuma y toda la cinta adhesiva que mantiene sujetos adentro y afuera los accesorios de la secadora.
2. Inspeccione y quite los restos de materiales de envío, cinta o material impreso antes de usar la secadora.

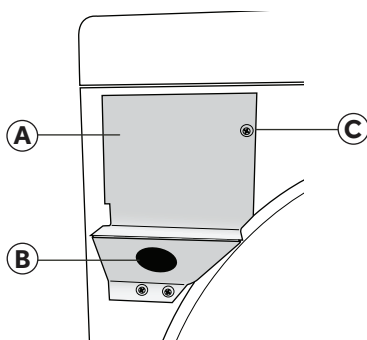
⚠ ADVERTENCIA

Para evitar el peligro de asfixia, mantenga la bolsa de plástico y otros materiales de envío lejos del alcance de los bebés y los niños. No use esta bolsa en cunas, cochecitos ni corrales. La bolsa de plástico podría bloquear la nariz y la boca, impidiendo la respiración. Esta bolsa no es un juguete.

PASO 2 - CONECTE UN CABLE ELÉCTRICO A LA SECADORA (SECADORA ELÉCTRICA - SOLAMENTE PARA EE.UU.)

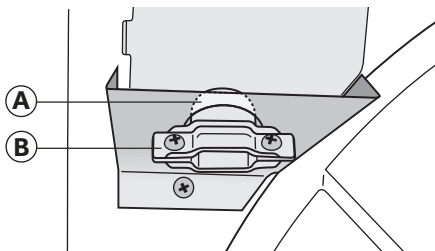
1. Quite el tornillo que asegura la cubierta de acceso del bloque de terminal, ubicada en la parte posterior de la esquina superior de la secadora.

- Ⓐ Cubierta de acceso del bloque de terminal
- Ⓑ Orificio en el soporte de montaje del protector de cables
- Ⓒ Quite este tornillo



2. Inserte un protector de cables que esté en la lista de UL en el orificio del soporte de montaje. Coloque el protector de cables de modo que una lengüeta esté mirando hacia arriba y la otra mirando hacia abajo. Apriete los tornillos del protector de cables sólo lo suficiente para mantener las dos mitades juntas.

- (A) Lengüeta
- (B) Protector de cables



3. Inserte el cable eléctrico en el protector de cables. Asegúrese de que el aislamiento de cables del cable eléctrico esté dentro del protector de cables.

4. Conecte los alambres del cable eléctrico siguiendo la Parte A para la conexión del cable eléctrico de 4 hilos o la Parte B para la conexión del cable eléctrico de 3 hilos.

4 hilos (se recomienda) si su hogar tiene un receptáculo de 4 hilos (tipo NEMA 14-30, SRDT O ST):



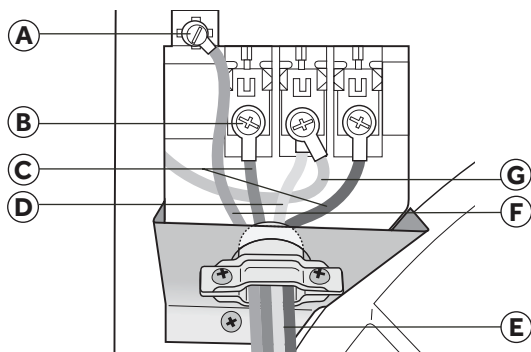
3 hilos (si no hay disponible un alambre de 4 hilos) si su hogar tiene un receptáculo de 3 hilos (tipo NEMA 10-30 SRDT):



CUIDADO: Se necesita una conexión de 4 hilos para las casas rodantes y donde los códigos locales no permitan el uso de conexiones de 3 hilos.

5. Apriete los tornillos del protector de cables.
6. Cerciórese de que ninguno de los cables toquen el tambor de la secadora dentro de la carcasa de la secadora.
7. Vuelva a colocar la cubierta del bloque de terminal.

PARTE A - CABLE ELÉCTRICO DE 4 HILOS

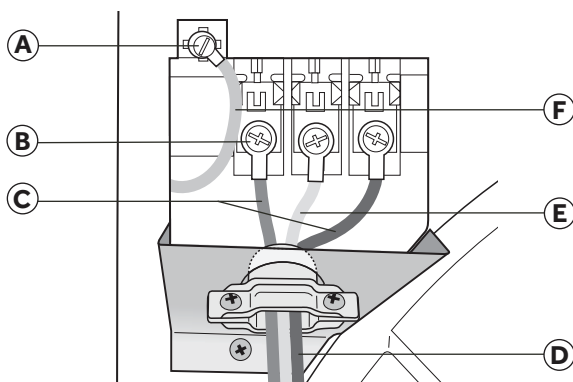


- | | |
|---|---|
| A Tornillo verde a tierra | E Cable eléctrico |
| B Tornillo del bloque de terminal | F Hilo verde a tierra del cable eléctrico |
| C Hilos del cable eléctrico (uno rojo y uno negro) | G Hilo verde (neutro) a tierra del mazo de alambres de la secadora |
| D Hilo blanco (neutro) del cable eléctrico | |

- A1.** Quite el hilo verde (neutro) a tierra del tornillo verde a tierra ubicado encima del bloque de terminal.
- A2.** Sujete el hilo verde a tierra del cable eléctrico a la carcasa con el tornillo verde a tierra. Apriete firmemente el tornillo.
- A3.** Sujete el hilo verde (neutro) a tierra del mazo de alambres de la secadora y el hilo blanco (neutro) del cable eléctrico al tornillo central del bloque de terminal. Apriete firmemente el tornillo.
- A4.** Sujete cada uno de los 2 hilos restantes del cable eléctrico (rojo y negro) a uno de los tornillos exteriores del bloque de terminal. Cualquiera de los hilos puede sujetarse a cualquier tornillo. Apriete firmemente ambos tornillos.

IMPORTANTE: No doble ni pliegue demasiado los hilos en las conexiones.

PARTE B - CABLE ELÉCTRICO DE 3 HILOS



- A** Tornillo verde a tierra
- B** Tornillo del bloque de terminal
- C** Hilos externos del cable eléctrico
- D** Cable eléctrico
- E** Hilo central (neutro) del cable eléctrico
- F** Hilo verde (neutro) a tierra del mazo de alambres de la secadora

B1. Sujete el hilo central (neutro) del cable eléctrico al tornillo central del bloque de terminal. Apriete firmemente el tornillo.

B2. Sujete cada uno de los 2 hilos restantes del cable eléctrico a uno de los tornillos exteriores del bloque de terminal. Cualquiera de los hilos puede sujetarse a cualquier tornillo. Apriete firmemente ambos tornillos.

IMPORTANTE: No doble ni pliegue demasiado los hilos en las conexiones.

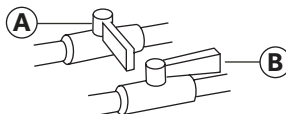
PASO 2 - CONECTE A UNA LÍNEA DE SUMINISTRO DE GAS (SOLAMENTE PARA LA SECADORA A GAS)

NOTA: No conecte la secadora a una línea de gas LP sin antes convertir la secadora con un juego de conversión. Un juego de conversión a gas LP deberá ser instalado por un técnico competente.

NOTA: Aplique un compuesto para uniones de tubería que sea resistente a la acción del gas LP a todas las roscas macho. No use cinta para plomero.

1. Cierre el suministro de gas moviendo la válvula de cierre hacia la posición cerrada.

- A** Válvula cerrada
- B** Válvula abierta



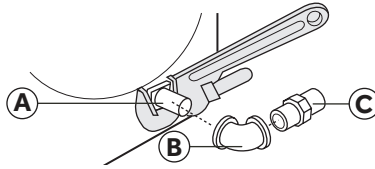
2. Desconecte y deseche el conector flexible de gas viejo. Reemplácelo con un nuevo conector flexible de gas aprobado por CSA (AGA).

3. Quite la cubierta de transporte del tubo de entrada de gas en la parte posterior de la secadora.

4. Conecte un codo NPT de $\frac{3}{8}$ " NPT al tubo de entrada de gas en la secadora. Luego conecte un adaptador abocinado al codo.

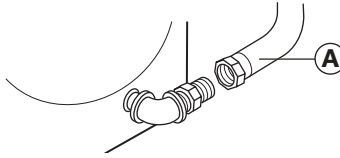
IMPORTANTE: Use una llave para tubos para evitar que se tuerza el tubo de entrada de gas de la secadora.

- (A) Tubo de entrada de gas en la secadora
- (B) Codo NPT de $\frac{3}{8}$ "
- (C) Adaptador NPT abocinado de $\frac{3}{8}$ "

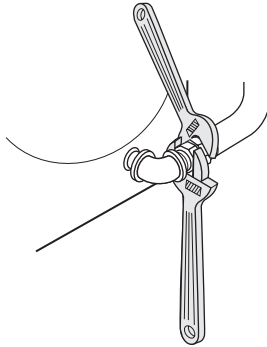


5. Conecte la secadora a la línea de suministro de gas con un conector flexible de gas.

- (A) Conector flexible de gas



6. Apriete el conector flexible de gas con dos llaves ajustables.



7. Abra el suministro de gas moviendo la válvula de cierre hacia la posición abierta. La válvula está abierta cuando la manija está paralela al tubo de gas.
8. Revise todas las conexiones para ver si tienen fugas, aplicando una solución de detección de fugas que no sea corrosiva. Se observarán burbujas si hay fugas. Si se encuentran fugas, cierre la válvula de cierre, vuelva a apretar la unión, abra la válvula de cierre y revise nuevamente.

⚠ ADVERTENCIA

Nunca use una llama abierta para revisar si hay fugas de gas.

PASO 3 - CONECTE A UN SISTEMA DE ESCAPE

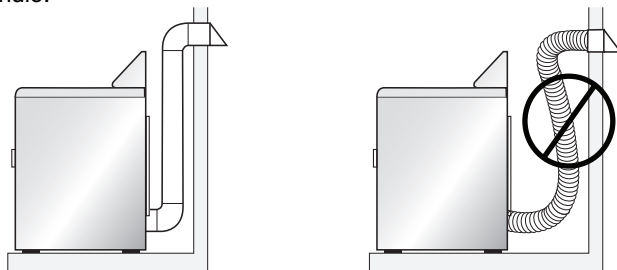
⚠ ADVERTENCIA

Para reducir el riesgo de incendio, esta secadora debe ventilarse hacia el exterior.

1. Cerciórese de que el sistema de escape esté libre y despejado de acumulación de pelusa antes de conectar la secadora.
2. Use un ducto de metal rígido o flexible de 4" (102 mm) para conectar la salida de escape de la secadora al sistema de escape.
3. Utilice abrazaderas para sellar y asegurar todas las juntas. No debe conectarse ni asegurarse el ducto de escape con tornillos ni con ningún otro dispositivo de sujeción que se extienda hacia el interior de dicho ducto.

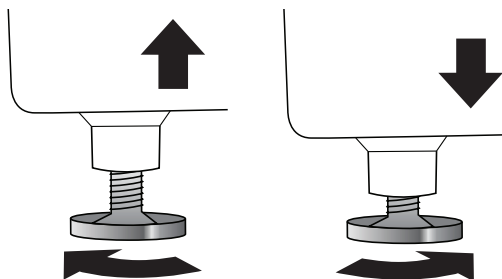
NOTAS:

- No utilice un ducto de escape de plástico ni de metal de hoja flexible. Es posible que se acumule exceso de pelusa dentro de la tubería, restringiendo el flujo de aire y creando un riesgo de incendio. El tiempo de secado se verá aumentado por el flujo restringido de aire.
- La secadora no debe tener salida de escape a ningún ducto de escape de gas, chimenea, pared, techo u otro espacio oculto de un edificio. La secadora deberá ventilarse al exterior. Si la secadora no se ventila al exterior, expulsará un poco de pelusa fina dentro del área del lavadero. Una acumulación de pelusa en cualquier área del hogar puede ocasionar un peligro para la salud y un riesgo de incendio.



PASO 4 - NIVELE LA SECADORA

1. Coloque la secadora en su ubicación final. Tenga cuidado de no aplastar ni retorcer el ducto de escape. Cerciérese de que las cuatro patas estén en contacto firme con el piso y que la secadora descance firmemente en su sitio.
NOTA: Para una secadora a gas, cerciérese de que la línea de gas flexible no esté retorcida.
2. Con un nivel de carpintero, cerciérese de que la secadora esté nivelada de lado y de frente hacia atrás.
3. Si la secadora no está nivelada, regule las patas niveladoras. Gírelas hacia la derecha para extender (levantar la secadora) o hacia la izquierda para retraer (bajar la secadora).



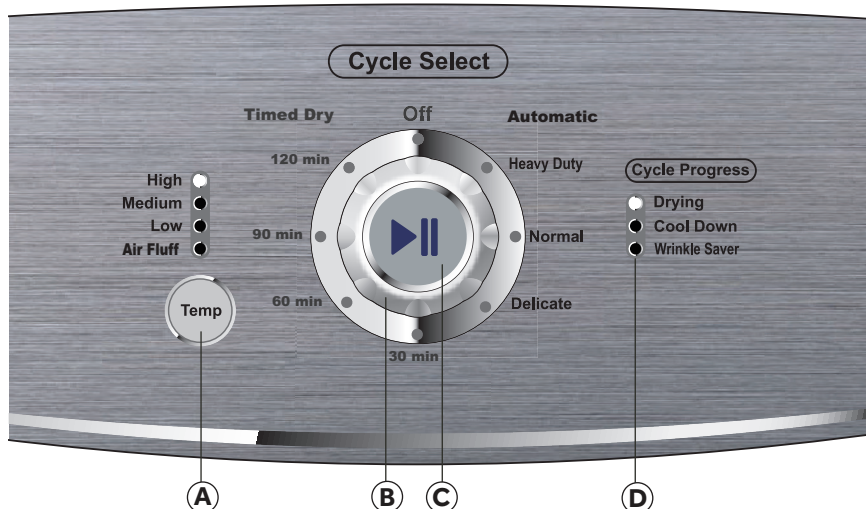
PASO 5 - COMPLETE LA INSTALACIÓN

1. Enchufe el cable eléctrico de la secadora en el contacto apropiado.
2. Vuelva a conectar la energía al contacto. Cerciérese de que esté encendido el cortacircuitos.
3. Deshágase de todos los materiales de embalaje o recícelos.
4. Cerciérese de que el área de la secadora esté limpia y sin materiales combustibles, gasolina y otros vapores inflamables. También asegúrese de que ningún objeto (como pueden ser cajas, ropa, etc.) obstruya el flujo de aire para la combustión y la ventilación a través del panel con rejillas ubicado en la parte posterior de la secadora.
5. Pruebe el funcionamiento de la secadora seleccionando un ciclo de Timed Dry (Secado programado) con calor. Consulte la sección "Instrucciones para el funcionamiento".

NOTA: En las secadoras a gas, antes de que se encienda el quemador, será necesario extraer el aire de la línea de gas. Si el quemador no se enciende en menos de 45 segundos cuando se encienda la secadora por primera vez, el interruptor de seguridad apagará el quemador. Si esto sucede, apague (girando hacia "OFF") la secadora y espere 5 minutos antes de hacer otro intento de encender el quemador.

PANEL DE CONTROL Y CARACTERÍSTICAS

PANEL DE CONTROL



(A) BOTÓN DE TEMPERATURA

- Úselo para seleccionar una temperatura de secado. Hay 4 temperaturas de secado disponibles para elegir: High (Alta), Medium (Media), Low (Baja) y Air Fluff (Esponjar).

(B) PERILLA DE SELECCIÓN DE CICLOS

- Encienda la secadora girando la perilla de selección de ciclos.

NOTA: Si no se ha puesto en marcha la secadora, ésta se apagará automáticamente después de 5 minutos.

- Existen 3 ciclos Automatic (Automáticos) y 4 selecciones para Timed Dry (Secado programado):

Heavy Duty (Intenso) - Use este ciclo para las prendas pesadas, tales como tela de mezclilla y toallas.

Normal - Use este ciclo para las prendas de planchado permanente, sintéticas e informales.

Delicate (Ropa delicada) - Use este ciclo para secar cargas pequeñas y telas delicadas.

Timed Dry (Secado programado) - Ciclos de 30, 60, 90 ó 120 minutos.

(C) BOTÓN DE INICIO/PAUSA

- Presione este botón para poner en marcha un ciclo seleccionado o hacer una pausa en un ciclo que esté en marcha.

NOTA: Después de poner en marcha la secadora, deberá hacer una pausa en un ciclo que esté funcionando para cambiar el ajuste de Temp (Temperatura).

D INDICADORES DEL PROGRESO DEL CICLO

- Cuando se haya puesto en marcha la secadora por primera vez, las luces de Cycle Progress (Progreso del ciclo) indicarán todas las etapas del ciclo seleccionado.
- A medida que se completa cada etapa, la luz se apagará, indicando que está en marcha la etapa próxima.

CARACTERÍSTICAS

SEÑAL DE FIN DE CICLO

- Sonará una señal al final del ciclo de enfriamiento para alertarle de que el secado se ha terminado.

WRINKLE SAVER (ANTIARRUGAS)

- Al final del ciclo de enfriamiento, la secadora dará vueltas la carga durante 1 hora para evitar que se formen arrugas en las prendas.

GUÍA DE CICLOS

NOTA: Para proteger sus prendas, no todas las opciones y los ajustes están disponibles con todos los ciclos. Las cajas sombreadas indican los ajustes por defecto para cada ciclo.

CICLO	TIPO DE TELA	PROCESO DE SECADO	TEMPERATURA
Automatic (Automático) Heavy Duty (Intenso)	Telas durables que no destiñen con suciedad profunda	Heat (Calor) Cool Down (Enfriamiento) Wrinkle Saver (Antiarrugas)	High (Alta)
			n/a
Automatic (Automático) Normal	Telas de algodón, lino y prendas mezcladas	Heat (Calor) Cool Down (Enfriamiento) Wrinkle Saver (Antiarrugas)	High (Alta)
			Medium (Media) Low (Baja)
Automatic (Automático) Delicate (Ropa delicada)	Prendas de lencería, telas finas con encaje	Heat (Calor) Cool Down (Enfriamiento) Wrinkle Saver (Antiarrugas)	Low (Baja)
			n/a
Secado programado	Telas de algodón, lino y prendas mezcladas	Heat (Calor) Cool Down (Enfriamiento) Wrinkle Saver (Antiarrugas)	Medium (Media)
			High (Alta) Low (Baja) Air Fluff (Esponjar)

INSTRUCCIONES DE FUNCIONAMIENTO

PASO 1 - PREPARE Y SEPRE LAS PRENDAS

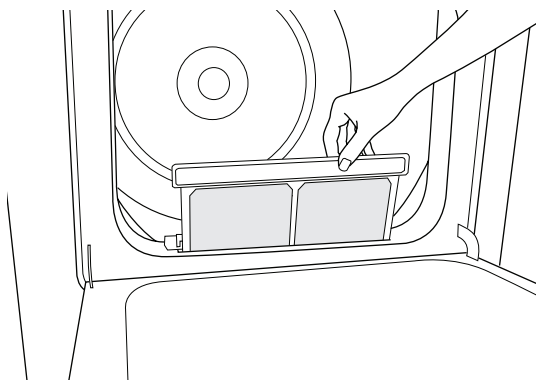
- Revise las etiquetas de las prendas para ver las instrucciones de secado.
- Siempre que sea posible, dé vuelta los bolsillos para obtener un secado uniforme.
- Ate los cordones y las fajas de modo que no se enreden.
- Cierre los zípers, broches de presión y corchetes para evitar que se enganchen.
- Cerciórese de que los botones y los adornos en las prendas sean resistentes a temperaturas elevadas y que no dañen la superficie del tambor.
- Para evitar que las manchas y la suciedad queden permanentemente en las prendas, cerciórese de que se hayan quitado durante el ciclo de lavado. De no ser así, lávelas de nuevo.
- Para evitar que las prendas se enreden y se puedan sacar con facilidad, los artículos pequeños deberán ponerse juntos en una bolsa de malla antes de ponerse en la secadora.
- Separe las telas que atraen pelusa de las telas que sueltan pelusa. Las prendas propensas a formar pelusa deberán darse vuelta de adentro hacia fuera antes de colocarse en la secadora.

PASO 2 - LIMPIE EL FILTRO DE PELUSA

1. Limpie el filtro de pelusa antes de cada uso. El filtro se puede quitar jalando la manija del filtro de pelusa, que está ubicada dentro de la puerta de la secadora.
2. Enrolle con los dedos la pelusa acumulada para quitarla del filtro de pelusa. No enjuague ni lave el filtro para quitar la pelusa.
3. Deslice el filtro de pelusa de nuevo a su lugar.

NOTAS:

- No use la secadora sin el filtro de pelusa en su lugar. Sin el filtro de pelusa, las prendas podrían entrar en el sistema de escape y provocar daños en la secadora.
- La pelusa acumulada en el filtro hará que se restrinja el flujo de aire y ocasionará tiempos de secado más prolongados.



PASO 3 - CARGUE LA SECADORA

1. Cargue las prendas húmedas de modo flojo en el tambor de la secadora.
2. Cierre la puerta de la secadora.

NOTAS:

- No ponga las prendas apretadas en la secadora.
- Una carga adecuada deberá tener 1/3 a 1/2 del volumen del tambor. Para obtener un secado uniforme y sin que se formen arrugas, deje espacio para que las prendas giren libremente.
- Cuando vaya a secar artículos grandes y voluminosos, deberá cargar solamente 2 a 3 piezas cada vez, junto con unas pocas prendas de tamaño pequeño y mediano.
- Para la ropa delicada o las cargas pequeñas, si agrega un par de toallas ayudará a asegurar que las prendas giren. Con esto se obtendrá un secado uniforme y se reducirán las arrugas.

PASO 4 - PONGA LA SECADORA EN MARCHA

1. Encienda la secadora girando la PERILLA DE SELECCIÓN DE CICLOS.
2. Seleccione un ciclo de secado.
3. Modifique los ajustes y las opciones por defecto, si lo desea.
4. Presione el BOTÓN DE INICIO/PAUSA que sobresale de la perilla para poner la secadora en marcha.

NOTA:

- Si se abre la puerta, se hará una pausa en el ciclo que esté funcionando. Cierre la puerta y presione el botón de INICIO/PAUSA para reanudar.

⚠ ADVERTENCIA

Siempre desenchufe la secadora para evitar un choque eléctrico antes de la limpieza.

El ignorar esta advertencia puede ocasionar la muerte o heridas.

Antes de usar productos de limpieza, siempre lea y siga las instrucciones del fabricante y las advertencias, para evitar daños personales o al producto.

LIMPIEZA Y MANTENIMIENTO

- Utilice solamente un paño húmedo o jabonoso para limpiar el panel de control.
- Si derrama suavizante, blanqueador o detergente líquido o en polvo sobre la carcasa, límpiela inmediatamente para evitar daños en el acabado.
- No use productos de limpieza abrasivos, productos químicos irritantes, amoníaco, blanqueador con cloro, detergente concentrado o solventes para limpiar la lavadora. Estos productos químicos pueden disolver, dañar o decolorar la secadora.
- No use ningún tipo de limpiador con rociador cuando limpie el interior de la secadora. Pueden producirse humos peligrosos o un choque eléctrico. Si se mancha la secadora, limpie el tambor con un paño húmedo. Quite los residuos que hayan quedado antes de secar la próxima carga.

LIMPIEZA DEL FILTRO DE PELUSA

- Los residuos de detergente y suavizante de telas pueden acumularse en el filtro de pelusa. Esta acumulación puede dar lugar a períodos más prolongados de secado, o hacer que la secadora se detenga antes de que la ropa esté completamente seca.
- Lave el filtro de pelusa cada 6 meses o antes si se obstruye debido a la acumulación de residuos.

Pasos para lavar el filtro de pelusa:

1. Quite la acumulación normal de pelusa con los dedos.
2. Moje ambos lados del filtro de pelusa con agua caliente.
3. Aplique detergente líquido con agua y refriegue con un cepillo de plástico.
4. Enjuague a fondo el filtro de pelusa con agua caliente.
5. Seque por completo el filtro de pelusa antes de volver a instalarlo y de usar la secadora.

CÓMO QUITAR LA PELUSA ACUMULADA

En el interior de la carcasa de la secadora

- Según el uso de la secadora, se debe quitar la pelusa cada 2 años, o con más frecuencia. La limpieza deberá efectuarla una persona calificada.

El sistema de escape

- El sistema de escape deberá ser inspeccionado y limpiado por lo menos cada 12 meses con el uso normal. Cuanto más se use la secadora, con más frecuencia deberá revisar el sistema de escape y la capota de ventilación exterior para un funcionamiento adecuado.

PRECAUCIONES AL IRSE DE VACACIONES

- Desenchufe la secadora del contacto eléctrico o desconecte el suministro de energía.
- Limpie el filtro de pelusa. Consulte la sección "Limpieza del filtro de pelusa".
- (Solamente para las secadoras a gas): Cierre la válvula de cierre en la línea de suministro de gas.

PREPARACIÓN PARA LA MUDANZA O EL ALMACENAJE

Aparte de seguir los pasos en las "Precauciones al irse de vacaciones", complete los pasos adicionales indicados a continuación.

- Desconecte la secadora del sistema de escape.
- Gire las patas niveladoras para que queden replegadas completamente dentro de la carcasa de la secadora.
- Use cinta adhesiva protectora para asegurar la puerta de la secadora.
- Mueva la secadora y guárdela solamente en la posición vertical.

NOTA: Para las secadoras a gas, cierre el suministro de gas a la secadora. Desconecte la secadora de la línea de suministro de gas y quite los accesorios que están sujetos al tubo de entrada de gas de la secadora. Tape la línea de suministro de gas.

SOLUCIÓN DE PROBLEMAS

SONIDOS NORMALES DE FUNCIONAMIENTO

- Los sonidos mencionados a continuación son los sonidos normales producidos durante el funcionamiento de la secadora.
- Sonido de rotación: Esto es normal, ya que la ropa pesada y húmeda está dando vueltas continuamente en la secadora.
- Ruido de aire que corre: Esto sucede cuando el tambor de la secadora gira y el aire fluye rápidamente a través del tambor de la secadora.

LA SECADORA NO FUNCIONA

- Verifique que la secadora esté enchufada. Es posible que se haya aflojado el enchufe.
- Verifique que el receptáculo eléctrico de pared tenga el voltaje correcto. Las secadoras eléctricas requieren un suministro eléctrico de 240 voltios.
- Fíjese si el cortacircuitos necesita volver a fijarse o si debe reemplazarse el fusible.
- Verifique que la perilla de selección de ciclos esté en la posición de "Off" (Apagado). Presione nuevamente el botón de Inicio/Pausa.
- Revise que esté firmemente cerrada la puerta de la secadora.

LAS PRENDAS NO SE SECAN

- Es posible que la secadora esté sobrecargada. Las prendas húmedas no deberán ocupar más de la mitad del volumen del tambor.
- Revise la tubería de escape y la capota de ventilación. El sistema de escape deberá estar completamente libre de obstrucciones.
- El sistema de escape deberá ser mantenido y limpiado regularmente.
- Tal vez deba separarse la carga de secado. Las prendas pesadas deberán separarse de las prendas ligeras.
- Tal vez deban cambiarse de posición los artículos voluminosos.
- Revise el filtro de pelusa. El filtro de pelusa debe ser limpiado antes de cada carga.
- Verifique que no se haya fijado la secadora en el ajuste de temperatura Air Fluff (Esponjar, sin calor).
- Para las secadoras a gas, verifique que esté abierta la línea de suministro de gas.

LA SECADORA HACE RUIDO

Ruidos de traqueteo o metálicos:

- Es posible que hayan objetos extraños en el tambor de la secadora. Detenga la secadora y revise si hay objetos extraños, tales como monedas sueltas, llaves y objetos pesados.

Ruidos de vibración:

- Es posible que la carga esté despareja. Detenga la secadora y vuelva a arreglar la carga.
- Es posible que la secadora no esté nivelada. Verifique que las 4 patas niveladoras estén firmemente en el piso y que la secadora esté nivelada.
- Consulte la sección "Sonidos normales de funcionamiento".

Estática:

- Es causada por el exceso de secado. Regule el tiempo de secado a una duración más corta y use suavizante de telas o una hoja de suavizante para secadora.

Las cargas están arrugadas:

- Es posible que se haya dejado la carga en la secadora por un tiempo demasiado prolongado al final del ciclo. Asegúrese de quitar la ropa a tiempo después de que se termine el secado.
- Es posible que la secadora esté sobrecargada. El tambor de la secadora deberá estar como máximo lleno hasta la mitad.

Olores:

- Las prendas que se dejen húmedas en la lavadora o en la secadora pueden hacer que se forme olor. Este olor no será eliminado con el secado. Vuelva a lavar las prendas antes de secarlas.
- Es posible que el elemento calefactor eléctrico emita un olor cuando se use la secadora por primera vez. El olor desaparecerá después del primer ciclo.

GARANTÍA LIMITADA

SERVICIO EN EL HOGAR

GARANTÍA COMPLETA POR UN AÑO

Durante 12 meses a partir de la fecha de compra original en la tienda, Haier reparará o reemplazará cualquier pieza del aparato sin costo, incluyendo la mano de obra, si la misma falla debido a defectos en los materiales o en la mano de obra.

GARANTÍA LIMITADA

Después de un año a partir de la fecha de compra original en la tienda, Haier proveerá una pieza sin costo, como se indica a continuación, para reemplazar la pieza mencionada como resultado de defectos en los materiales o en la mano de obra. Haier se hará responsable solamente por el costo de la pieza. Cualquier otro costo tales como la mano de obra, los cargos por viaje, etc., serán responsabilidad del propietario.

Del segundo al quinto año

Haier proveerá todas las piezas de repuesto si tienen defectos en los materiales o la mano de obra.

NOTA: Esta garantía comienza en la fecha de compra de este producto, y el recibo original deberá presentarse al representante autorizado de servicio antes de hacerse las reparaciones bajo la garantía.

Excepciones: Garantía bajo uso comercial o de alquiler

90 días en la mano de obra a partir de la fecha de compra original

90 días en las piezas a partir de la fecha de compra original

No es aplicable ninguna otra garantía.

PARA OBTENER SERVICIO BAJO LA GARANTÍA

Póngase en contacto con el centro de servicio autorizado más cercano a su localidad. Todo servicio deberá ser realizado por un centro de servicio autorizado por Haier. Para obtener el nombre y el número de teléfono del centro de servicio autorizado más cercano, llame al 1-877-337-3639.

Antes de llamar, tenga a mano la siguiente información:

Número de modelo y de serie del aparato. El nombre y la dirección del distribuidor en donde compró la unidad y la fecha de compra.

Una descripción clara del problema.

Un comprobante de compra (recibo de compra).

Esta garantía cubre las unidades comprendidas dentro de la parte continental de Estados Unidos, Puerto Rico y Canadá. Lo que no está cubierto bajo esta garantía:

Reemplazo o reparación de fusibles domésticos, cortacircuitos, cableado o plomería.

Un producto cuyo número de serie original haya sido removido o alterado.

Cualquier cargo por servicio que no haya sido identificado específicamente como servicio normal, como puede ser el área o las horas de servicio.

Daños a la ropa.

Daños ocurridos durante el transporte.

Daños ocasionados por la instalación o el mantenimiento inadecuados.

Daños por el uso incorrecto, abuso, accidente, incendio, inundación o fenómenos de la naturaleza.

Daños debidos al servicio efectuado por un distribuidor o centro de servicio que sea diferente del autorizado por Haier.

Daños ocasionados por la corriente, el voltaje o el suministro eléctrico incorrectos.

Daños que resulten de cualquier modificación hecha en el producto, alteración o ajustes no autorizados por Haier.

Ajuste de los controles manejados por el cliente según han sido identificados en el manual del propietario.

Mangueras, perillas, bandejas de pelusa y todos los otros aditamentos, accesorios y piezas desechables.

Cargos por mano de obra, transporte para el servicio y envío para la remoción y el reemplazo de las piezas defectuosas que se efectúan después del período inicial de 12 meses.

Daños ocasionados por un uso diferente al doméstico normal.

Cualquier gasto de transporte y de envío.

ESTA GARANTÍA LIMITADA REEMPLAZA TODAS LAS OTRAS GARANTÍAS, EXPRESAS O QUE INCLUYAN LAS GARANTÍAS DE COMERCIABILIDAD O DE CAPACIDAD PARA UN PROPOSITO EN PARTICULAR

El recurso provisto en esta garantía es exclusivo y está otorgado en lugar de cualquier otro recurso.

Esta garantía no cubre daños incidentales o consecuentes, de modo que las limitaciones indicadas anteriormente pueden no aplicarse en su caso. Algunos estados no permiten las limitaciones acerca de cuánto tiempo dura una garantía implícita, de modo que las limitaciones arriba indicadas quizás no le correspondan.

Esta garantía le otorga derechos legales específicos, y es posible que usted tenga otros derechos, los cuales varían de un estado a otro.

Haier America
New York, NY 10018

IMPORTANT

Do Not Return This Product To The Store
If you have a problem with this product, please contact the
"Haier Customer Satisfaction Center" at
1-877-337-3639.

DATED PROOF OF PURCHASE, MODEL #, AND SERIAL #
REQUIRED FOR WARRANTY SERVICE

IMPORTANT

Ne pas réexpédier ce produit au magasin
Pour tout problème concernant ce produit, veuillez contacter
le service des consommateurs 'Haier Customer Satisfaction Center' au
1-877-337-3639.

UNE PREUVE D'ACHAT DATÉE EST REQUISE POUR BÉNÉFICIER DE LA GARANTIE.

IMPORTANTE

No regrese este producto a la tienda
Si tiene algún problema con este producto, por favor comuníquese con
el "Centro de Servicio al Consumidor de Haier" al
1-877-337-3639 (Válido solo en E.U.A).
NECESITA UNA PRUEBA DE COMPRA FECHADA, EL NÚMERO DE SERIE Y
DEL MODELO PARA OBTENER EL SERVICIO BAJO LA GARANTÍA

Made in China
Fabriqué en Chine
Hecho en China

Haier®

RDE350AW/RDG350AW/
CRDE350AW
Issued: July 2012

Haier America
New York, NY 10018

Printed in China

Part # 0180800283

Free Manuals Download Website

<http://myh66.com>

<http://usermanuals.us>

<http://www.somanuals.com>

<http://www.4manuals.cc>

<http://www.manual-lib.com>

<http://www.404manual.com>

<http://www.luxmanual.com>

<http://aubethermostatmanual.com>

Golf course search by state

<http://golfingnear.com>

Email search by domain

<http://emailbydomain.com>

Auto manuals search

<http://auto.somanuals.com>

TV manuals search

<http://tv.somanuals.com>