

Exhaust Type Tumble Dryer

User's Manual

Haier

HDM3.5-1

- **Please read this manual carefully before using.**
- **Retain it for future reference.**



Important Safeguards

To reduce the risk of fire, electric shock or injury when using electrical appliances, please follow these basic safety precautions:

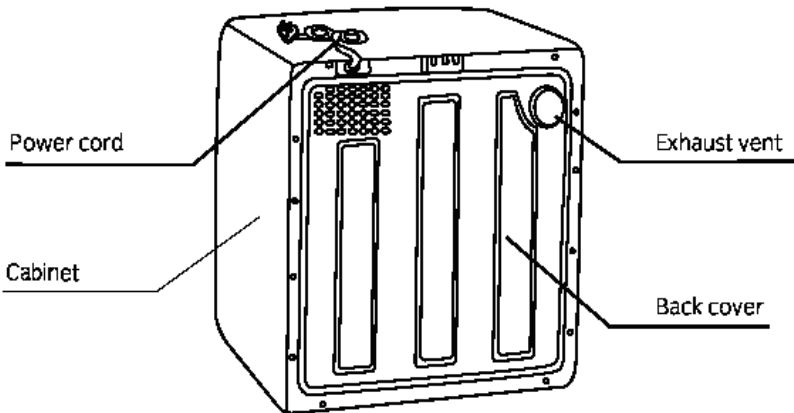
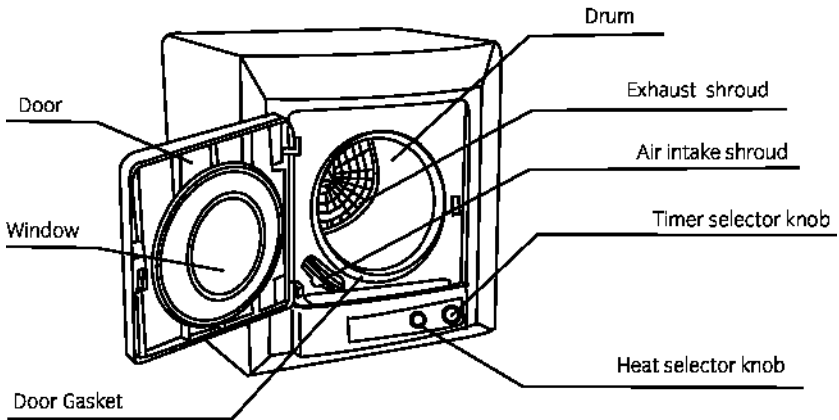
FOR YOUR SAFETY

Read all instructions carefully, even if you are familiar with the appliance.

- This appliance is not intended for use by children or infirm persons without supervision.
- Do not allow children to play with the appliance.
- INDOOR USE ONLY – this appliance is not intended for outdoor use.
- Do not place naked flames, such as candles, on the appliance.
- Keep the appliance and cord away from heat sources such as radiators, heaters, air ducts or direct sunlight.
- Keep all vents and openings clear. Ensure they are not covered by newspapers, tablecloths, curtains, etc.
- Do not run the cord under floor coverings. Instead, arrange the cord away from traffic areas where it will not become a trip hazard.
- Grasp the plug firmly and pull to unplug from the power supply. Never pull on the cord.
- Do not operate the appliance if it has a damaged cord or plug.
- If the appliance malfunctions; or has been dropped or damaged in any way, consult a qualified service technician.
- Do not attempt to repair, disassemble or modify this appliance. The warranty becomes void if repairs have been carried out by anyone other than a qualified service technician.
- Do not place items that have been soiled with flammable liquids inside the dryer without washing them with detergent thoroughly first.
- Do not excessively bend, stretch, twist the power cord or place heavy objects on it.
- Do not use an extension cord or multiple outlet with this appliance.
- Do not install in a tight fitting cupboard.
- Do not overload the tumble dryer.
- Ensure pockets in clothing are empty so that foreign objects do not find their way into the drum of the tumble dryer.
- The door window may be hot after a drying cycle. Please ensure children are kept away.
- If the tumble dryer is not wall mounted, place on a flat, firm and dry surface. Use the adjustable front legs to level the dryer if needed. Do not place it on any soft material such as foam or plastic.
- Do not use flammable or combustible materials such as gas, petrol, alcohol or lacquer in the tumble dryer.
- After turning off the power supply to the tumble dryer, wait at least 2 minutes before turning it back on again.
- Please remove the transport packaging at the rear of the tumble dryer, prior to use.

SAVE THESE INSTRUCTIONS

Name of Components

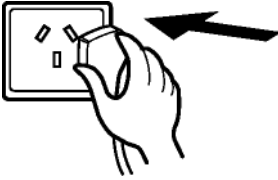


Operating your Dryer

Electrical Requirements

Connect the unit to a standard earthed three pin outlet.

The power supply must be 220-240V.



Loading the Dryer

- Ensure that items do not contain combustible materials or foreign objects (pins, coins etc.)
- Turn items with zippers inside out and fasten buckles.
- Place items into the dryer one at a time to ensure they are not tangled (tangled clothing results in uneven drying). Ensure there are no items jammed in the door before closing.

Drying Tips

- Do not add items to a load which is already partially dry.
- Dryer heat may permanently set stains, ensure stains are removed prior to drying.
- Separate dark and light coloured items as you would do when washing.
- For best results load the dryer with similar fabrics. Place small delicate items in a mesh bag and do not overload the dryer.
- If drying large items such as a blanket, it is recommended that from time to time you open the dryer door, remove and shake the item, place it back into the dryer and close the door. This will ensure even drying.

- To ensure you get the most out of the Anti-wrinkle function, do not overload the dryer, and remove the dried items from the dryer as soon as they have finished tumbling. Hang on coat hangers and iron the items if desired.
- Prior to loading the dryer check that the items do not have the following symbols on them.
- If they do, do not dry them in this appliance.



Dry flat



Dry in the shade



Do not
tumble dry



Hang to dry



Drip dry

Drying Time Reference Table

Drying Capacity	Dry Time	
	Strong	Soft
Approx. 1 kg	Approx.30min	Approx. 55 min
Approx. 2 kg	Approx.60min	Approx. 110 min
Approx. 3 kg	Approx. 120 min	
Approx. 3.5 kg	Approx. 220 min	

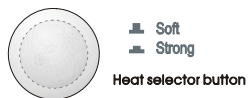
Drying times are affected by many factors, such as the type of material, bulkiness, how full the dryer is etc. The above list is a guide only.

Control Panel Functions

Temperature Selector Button

Select 'Strong' for items that are particularly bulky or large quantities.

Select 'Soft' for materials like Silk, Nylon, Linen etc.



Drying Timer Dial

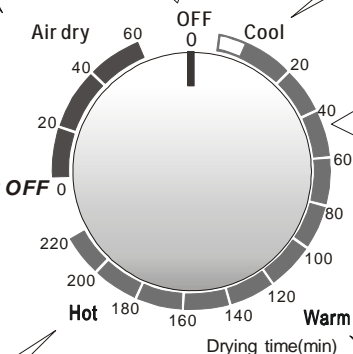
There are five drying combinations available: Cool, Anti-wrinkle, Warm, Hot and Air Dry.

Air Dry: This function runs with cool air, primarily to air and freshen clothes that have been stored for a long period of time.

Off: When the 'Drying Timer' dial is in the 'Off' position no power is supplied to the unit. When the dial is turned clockwise to the desired program the dryer will start.

Cool: This function cools the items that have just been dried. The drum continues to turn but the element is turned off. This helps to prevent creasing.

Off: When the 'Drying Timer' dial is in the 'Off' position no power is supplied to the unit. When the dial is turned clockwise to the desired program the dryer will start.



Anti-wrinkle: This is used for items that are difficult to iron i.e: cotton shirts and linen. Select 'Soft' on the heat selector button and set the drying timer knob between 30-60 minutes depending on the quantity of items in the dryer. When the timer stops after the Cool program, the items will still contain moisture. This will make the ironing easier.

Hot: For drying large quantities or bulky items (Dryer drum is more than 1/2 full). Select the 'Strong' heat option and set the timer for more than 150 minutes.

Warm: This function will dry and cool items and in most cases leave items wrinkle free (depending on material). Select the 'Strong' heat option and set the timer between 60-150 minutes.

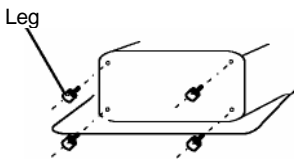
Installation Instructions

Where to place your dryer

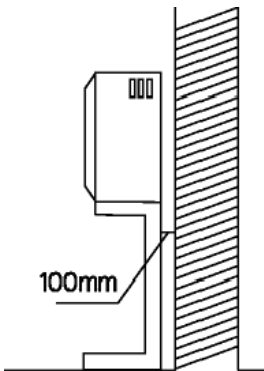
Place the dryer in a dry, well ventilated area, away from heat and direct sunlight.

If the dryer is not wall mounted, it must be placed on a firm level surface. Do not place the dryer on carpet as this will block the intake. There should be at least 100mm between the dryer and the walls.

Fit the legs that come with the dryer to ensure stability.



If the dryer is permanently mounted, at least 100mm between the dryer and walls is required.



Wall Mounting Instructions

1. Determine the location of the dryer on the wall and mark the bracket position.

* A minimum 50mm is needed between the top of the dryer and the ceiling for ease of installation.

* If mounting above a washing machine, allow sufficient room to open the lid of the washer.

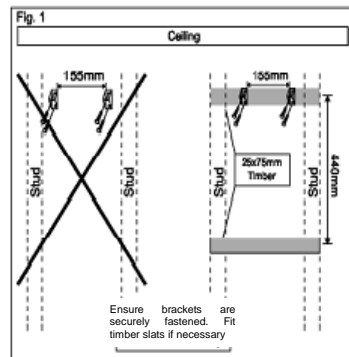
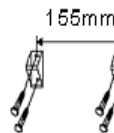
Tools Required

	Drill & 3mm Bit	1
For Plaster/	Philips Head Screw Driver	1
Wooden Wall	Wood Screws, 1 2g x	4
	50mm Timber Screws	

Wall Mounting Kit Includes

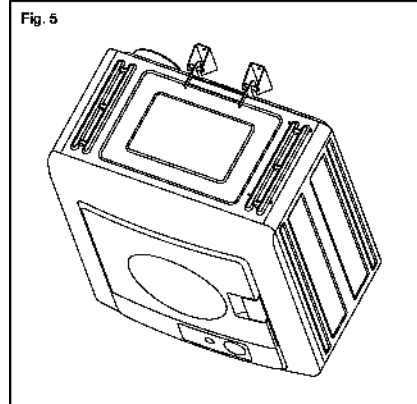
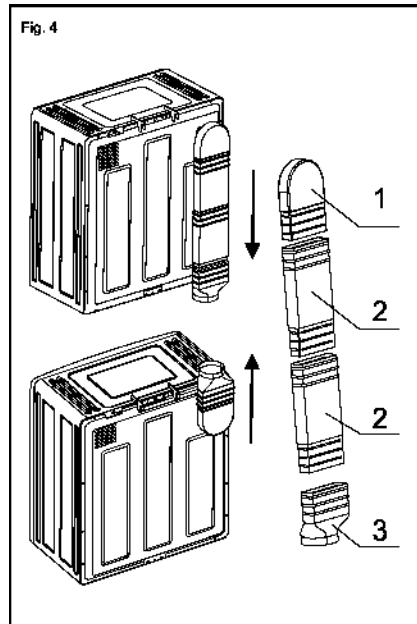
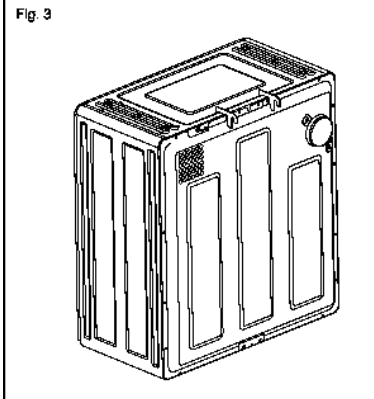
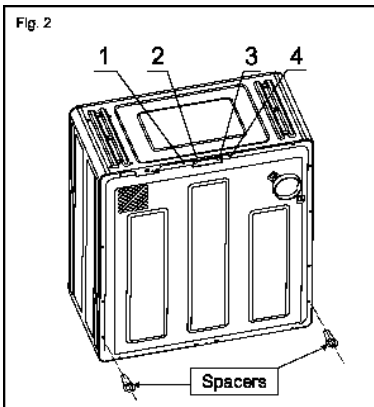
Description	Wall Hanging Brackets	2
	Hook	1
	Plastic Spacers	2
	Exhaust Duct	4 pieces

2. Fix the wall hanging brackets to the wall securely (eg. into the stud.) If the studs are too far apart fit a timber slat to the studs then mount the brackets onto the slat. The distance between each bracket is 155mm as per diagram.



Wall Mounting Instructions

3. To install the hook to the dryer, remove screws 1, 2, 3 & 4 as indicated in Fig. 2.
4. Align bracket as shown in Fig. 3 and refit screws tightly.
5. Remove lower side screws and install the spacers provided as per Fig. 2.
6. Install exhaust duct: for upwards discharge, join sections 1 and 3, for downwards discharge, join sections 1, 2, 2 & 3 as per Fig. 4.
7. With assistance, mount dryer on wall brackets. See Fig. 5.



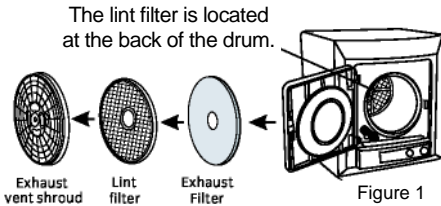
Maintenance

Cleaning the Lint Filter

Unplug the power cord prior to any cleaning. The lint filter must be cleaned before and after each use. Never use the dryer without the filter in place.

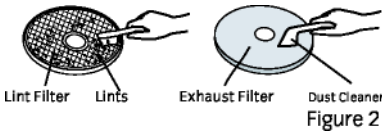
1. Removing the Filters

Insert fingers into the four holes around the exhaust vent shroud and pull out to remove. The filter is in 3 parts: Exhaust vent shroud, lint filter and exhaust filter (as shown in figure 1).



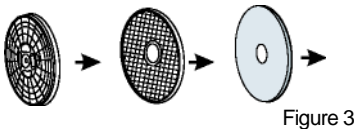
2. Cleaning the filter

Separate the filters from the shroud and remove the lint with a soft brush or vacuum cleaner. Take care not to damage the filters. (See fig 2).



3. Re-installing the Filter

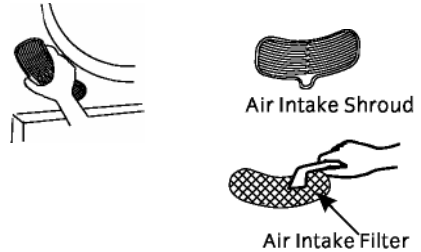
Reinstall in the reverse order, align the recess in the centre of the filters with the spigot in the centre of the drum and ensure that it is fitted firmly. (as shown in figure 3).



Note: The filter fixed in the bottom of the drum should also be cleaned with a soft brush.

Cleaning of the Air Intake Filter

The filter should be cleaned once a month. Hold the upper and lower edges of the air intake shroud, push upwards gently with your thumb to disconnect the latch hook then pull outwards to remove. Remove the filter from the shroud and clean it with a soft brush and refit.



Cleaning the Interior & Exterior of the Dryer

Do not use excessive water, just a damp cloth.
Do not use solvents.
Do not use spray cleaners when cleaning the interior.
If the drum becomes stained, clean it with a damp cloth and allow to dry before using.
Clean the cabinet with mild soap and water. Do not use harsh or abrasive cleaners.



Troubleshooting

Review the following pages before calling for service.

Problem	Possible Cause	What to do
Timer knob does not turn.	<ul style="list-style-type: none"> • Is the power on? 	<ul style="list-style-type: none"> • Insert the plug and turn on.
Drum does not turn.	<ul style="list-style-type: none"> • Is the door closed? • Is the power on? • Is there power to the wall socket? 	<ul style="list-style-type: none"> • Close the door. • Insert the plug and turn on. • Check another appliance in the wall socket.
Exhaust air is not hot.	<ul style="list-style-type: none"> • Is the timer incorrectly set on cold air? 	<ul style="list-style-type: none"> • Set the timer to hot air.
The laundry has not dried thoroughly.	<ul style="list-style-type: none"> • Are the front and back filters clogged? • Is there too much laundry in the dryer? • Have items been added whilst the dryer is in operation? • Has the laundry become twisted whilst drying? • Has the dryer been placed in a small and badly ventilated area? 	<ul style="list-style-type: none"> • Clean the filter. • Reduce the amount in the dryer. • Re-dry the items again. • Untwist the items and re-dry. • Place the dryer in a well vented area.
Dryer does not start.	<ul style="list-style-type: none"> • Is there a power failure? • Is the machine plugged in? • Is the door closed? • Is the timer in the OFF position? 	<ul style="list-style-type: none"> • Try again when there is power. • Insert the power plug firmly. • Close the door. • Set the dry time.

Free Manuals Download Website

<http://myh66.com>

<http://usermanuals.us>

<http://www.somanuals.com>

<http://www.4manuals.cc>

<http://www.manual-lib.com>

<http://www.404manual.com>

<http://www.luxmanual.com>

<http://aubethermostatmanual.com>

Golf course search by state

<http://golfingnear.com>

Email search by domain

<http://emailbydomain.com>

Auto manuals search

<http://auto.somanuals.com>

TV manuals search

<http://tv.somanuals.com>